

SUZUKI

PARTS CATALOGUE

DF25A/30A

DF25A/AR

DF25AT/ATH

DF30A/AR

DF30AT/ATH/AQ



OUTBOARD MOTOR

P01/P40

2016-10

1ST EDITION

PREFACE

When it becomes necessary to replace parts on SUZUKI OUTBOARD MOTORS, always use SUZUKI GENUINE PARTS which have passed a strict inspection which guarantees quality and performance.

This parts catalogue covers the list of all service parts for SUZUKI DF25A/30A production start 2016.

INSTRUCTIONS FOR QUOTING THE CATALOGUE

1. DIMENSIONS

Dimensions of the parts in this catalogue are indicated in unit millimeters.

2. ABBREVIATIONS

Abbreviations used in this catalogue are as follows:

AR	: As required	NT	: Number of teeth
ASSY	: Assembly	OPT	: Optional
E. NO.	: Engine number	OS	: Over size
F. NO.	: Frame number	STD	: Standard
D	: Diameter of material	T	: Thickness
ID	: Inside diameter	US	: Under size
OD	: Outside diameter	W	: Width
L	: Length	W/	: with
LH(PORT)	: Left hand side	S,L	: Transom type
RH(STBD)	: Right hand side	SUS	: Stainless steel
~123456	: Up to E. NO. 02504F-123456		
123456~	: From E. NO. 02504F-123456		

12 x 34 x 5.6..... Figures in the description column

| | | show the dimensions of parts.
ID OD T(or W,L)

→12345-56781 (Parts No.) : indicates that the parts number was changed to 12345-56781 and the new parts are interchangeable with the former ones but the former ones are not interchangeable with new ones.

←12345-56781 (Parts No.) : indicates that the former and new parts are interchangeable with each other and both are usable.

3. INNER PARTS OF ASSEMBLY

Part name with a dot (.) in front as shown in the description column indicates the component of the assembly also available individually.

4. MODIFICATION NOTICE

A parts bulletin will be sent to you on all occasions when changes in parts occur, including interchangeable modifications between new parts and old ones.

5. NOTE

5-1. There are some different parts from those of production models among spare parts for the administrative reasons and common use of them with other models.

5-2. In respect of rubber hoses and vinyl tubes, please be sure to use them by cutting off according to the length mentioned on parts catalogue or what is actually required on the vehicle.

5-3. Note that the drawings on the illustration page are for ready reference of spare parts number, not to be used as an assembly manual. When assembling, use "SUZUKI SERVICE MANUAL".

6. SPECIFICATION CODE

This catalogue contains the parts for the model designed for the following spec. :

spec. code :	DF25A	: P1	DF25AR	: P1
	DF25AT	: P1	DF25ATH	: P1
	DF30A	: P40	DF30AR	: P1
	DF30AT	: P1	DF30ATH	: P1
	DF30AQH	: P1		

7. MODEL NAME AND ENGINE NUMBER

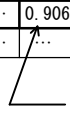
MODEL	DESTINATION	TYPE	TRANSOM	ENGINE NO.
DF25A	P01	02504F	S, L	02504F-710001~
DF25AR	P01	02504F	S, L	02504F-710001~
DF25AT	P01	02504F	S, L	02504F-710001~
DF25ATH	P01	02504F	S, L	02504F-710001~
DF30A	P40	03003F	S, L	03003F-710001~
DF30AR	P01	03003F	S, L	03003F-710001~
DF30AT	P01	03003F	S, L	03003F-710001~
DF30ATH	P01	03003F	S, L	03003F-710001~
DF30AQH	P01	03003F	S, L	03003F-710001~

MILLIMETER → INCH CONVERSION CHART

	0	1	2	3	4	5	6	7	8	9
00	.000	.039	.079	.118	.157	.197	.236	.276	.315	.354
10	.394	.433	.472	.512	.551	.591	.630	.669	.709	.748
20	.787	.827	.866	.906	.945	.984	1.024	1.063	1.102	1.142
30	1.181	1.220	1.260	1.299	1.339	1.378	1.417	1.457	1.496	1.535
40	1.575	1.614	1.654	1.693	1.732	1.772	1.811	1.850	1.890	1.929
50	1.969	2.008	2.047	2.087	2.126	2.165	2.205	2.214	2.283	2.323
60	2.362	2.402	2.441	2.480	2.520	2.559	2.598	2.638	2.677	2.717
70	2.756	2.795	2.835	2.874	2.913	2.953	2.992	3.031	3.071	3.110
80	3.150	3.189	3.228	3.268	3.307	3.346	3.386	3.425	3.465	3.504
90	3.543	3.583	3.622	3.661	3.701	3.740	3.780	3.819	3.858	3.898

How to read

	0	1	2	3	4
00
10
20	0.906	...
30


 23 millimeters equal 0.906 inch

Contents are subject to change without notice or obligation.

FIG. 111A

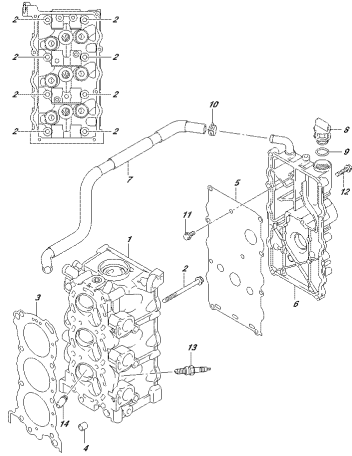


FIG. 111A
Cylinder head

FIG. 113A

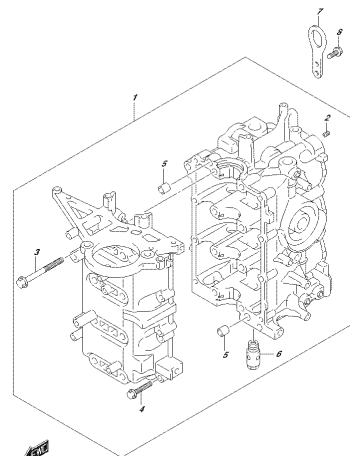


FIG. 113A
Crankshaft

FIG. 116A

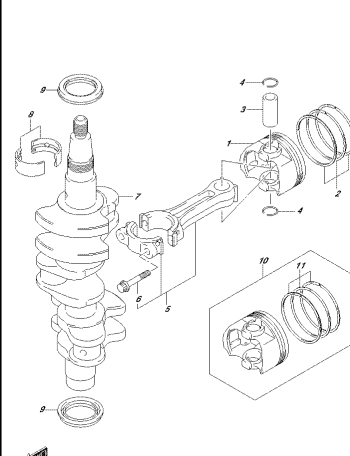


FIG. 116A
Suspension

FIG. 120A

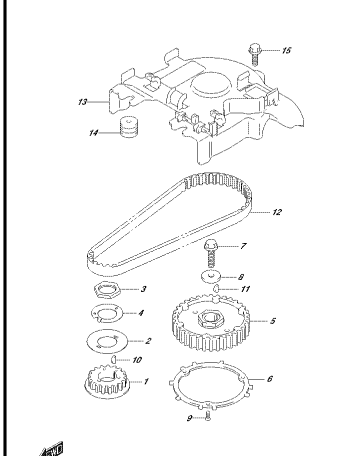


FIG. 120A
Timing belt

FIG. 121A

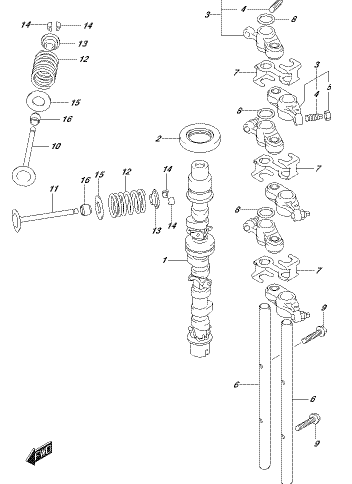


FIG. 121A
Valve train

FIG. 122A

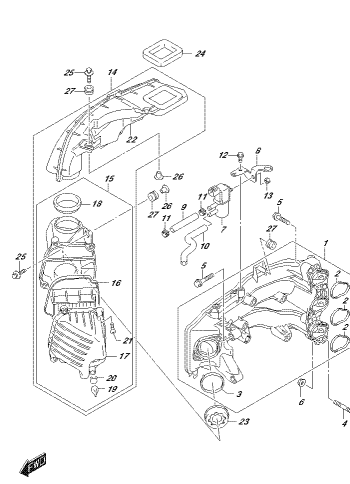


FIG. 122A
Piston and connecting rod

FIG. 122B

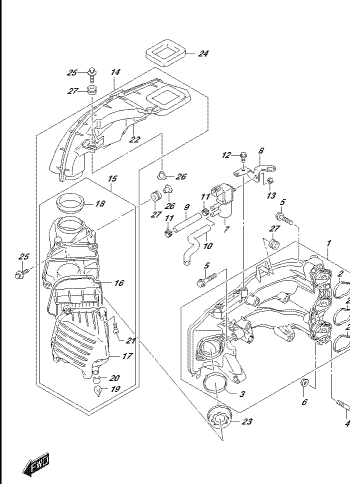


FIG. 122B
Piston and connecting rod

FIG. 122C

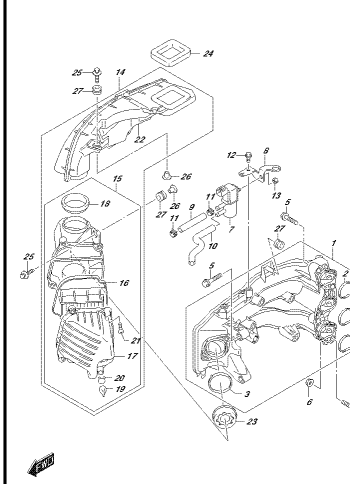


FIG. 122C
Piston and connecting rod

FIG. 122D

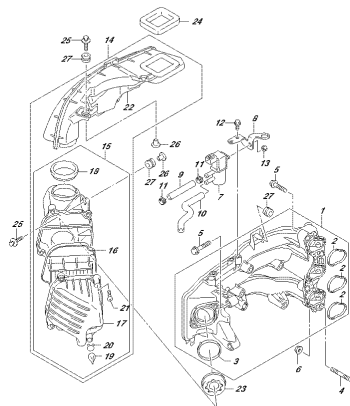


FIG. 122D
FUEL INJECTOR

FIG. 122E

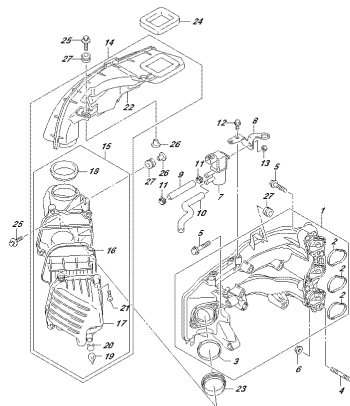


FIG. 122E
FUEL INJECTOR

FIG. 122F

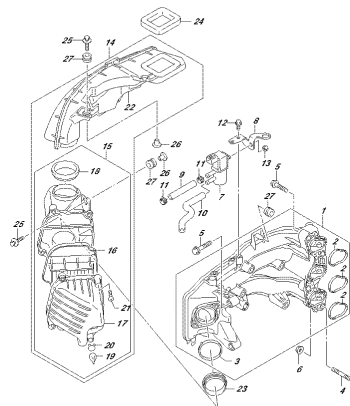


FIG. 122F
FUEL INJECTOR

FIG. 122G

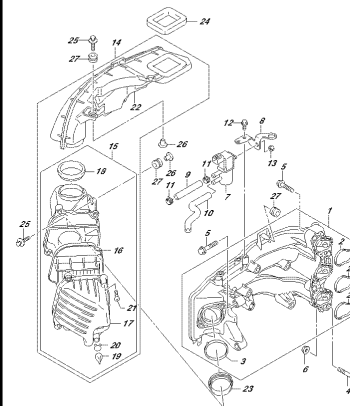


FIG. 122G
FUEL INJECTOR

FIG. 122H

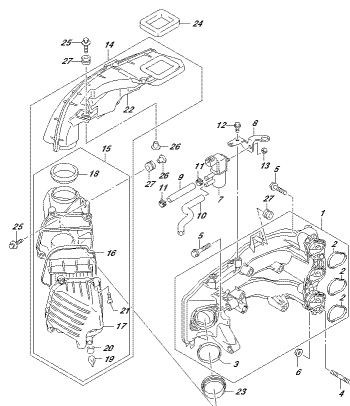


FIG. 122H
FUEL INJECTOR

FIG. 122J

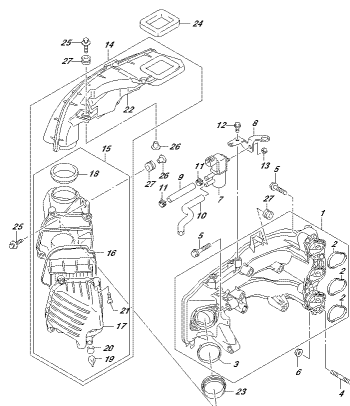


FIG. 122J
FUEL INJECTOR

FIG. 139A

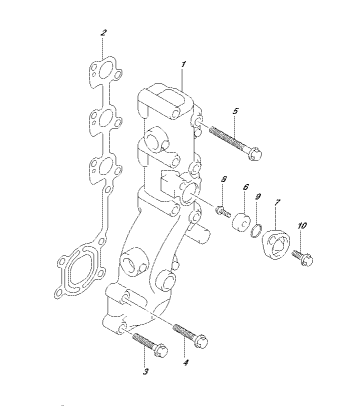


FIG. 139A
FUEL INJECTOR

FIG. 144A

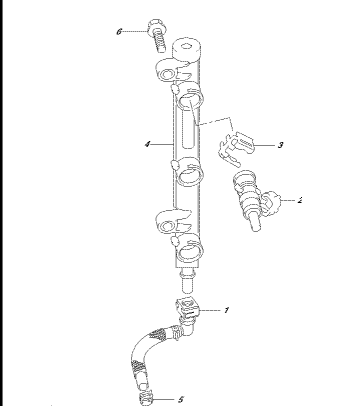


FIG. 144A
FUEL INJECTOR

FIG. 146A

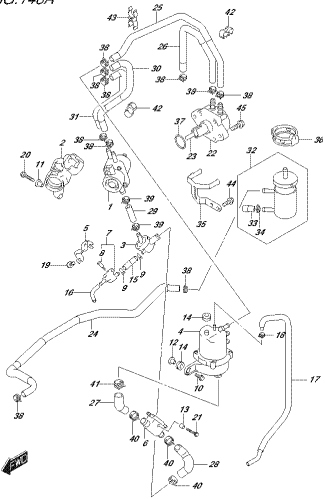


FIG. 146A
FUEL PUMP

FIG. 146B

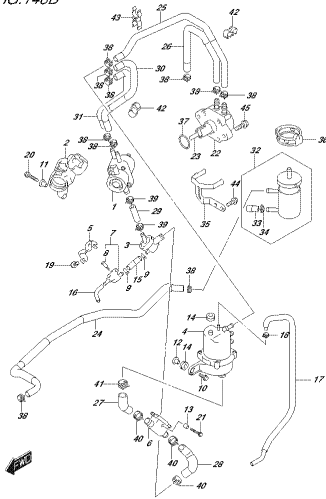


FIG. 146B
FUEL PUMP

FIG. 146C

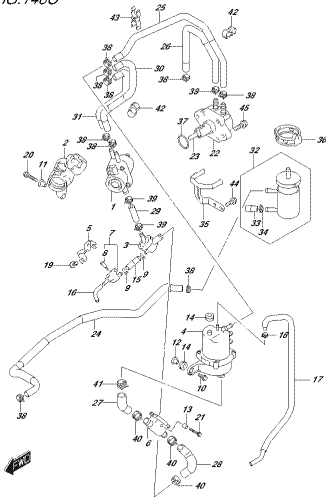


FIG. 146C
FUEL PUMP

FIG. 146D

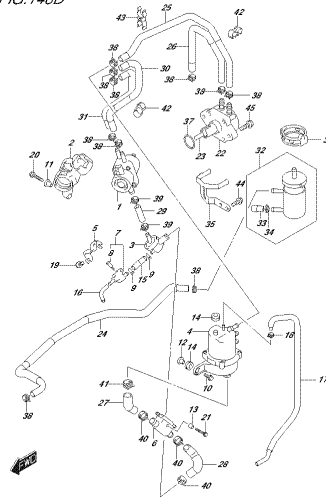


FIG. 146D
FUEL PUMP

FIG. 146E

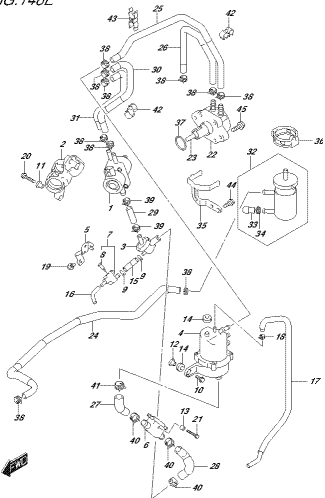


FIG. 146E
FUEL PUMP

FIG. 146F

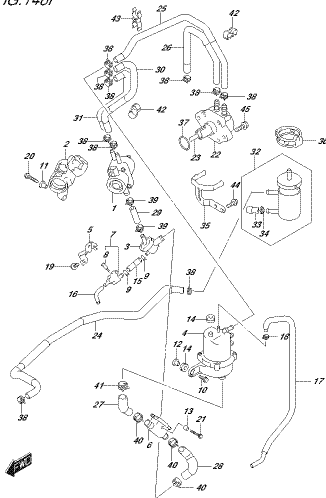


FIG. 146F
FUEL PUMP

FIG. 146G

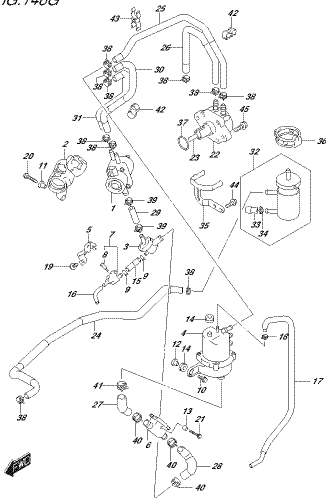


FIG. 146G
FUEL PUMP

FIG. 146H

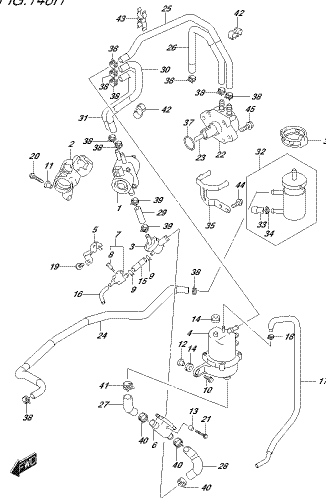


FIG. 146H
FUEL PUMP

FIG. 146J

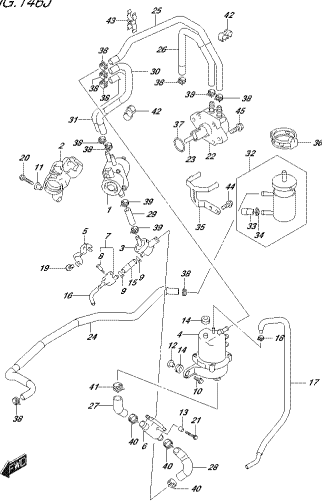


FIG. 146J
DPC84_S&A_PPL_017_H&V
FILE: P146J

FIG. 160A

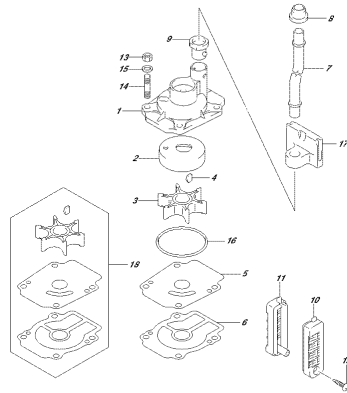


FIG. 160A
DPC84_S&A_PPL_017_H&V
WATER PUMP

FIG. 160B

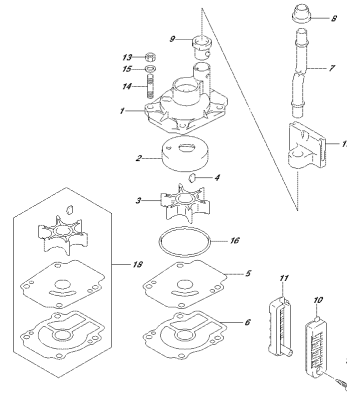


FIG. 160B
DPC84_S&A_PPL_017_H&V
WATER PUMP

FIG. 160C

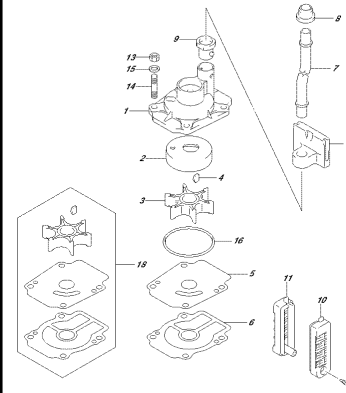


FIG. 160C
DPC84_S&A_PPL_017_H&V
WATER PUMP

FIG. 160D

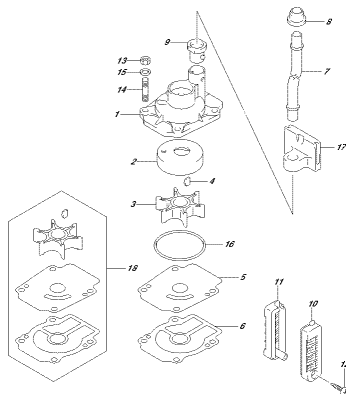


FIG. 160D
DPC84_S&A_PPL_017_H&V
WATER PUMP

FIG. 160E

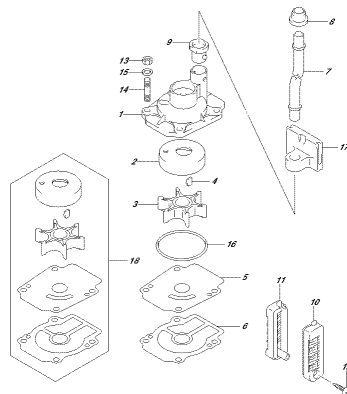


FIG. 160E
DPC84_S&A_PPL_017_H&V
WATER PUMP

FIG. 160F

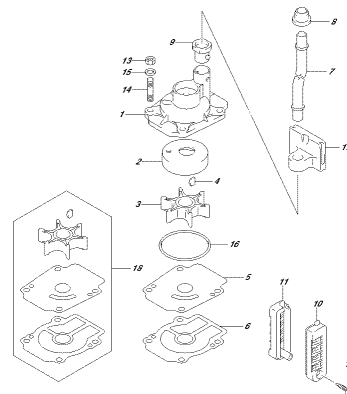


FIG. 160F
DPC84_S&A_PPL_017_H&V
WATER PUMP

FIG. 160G

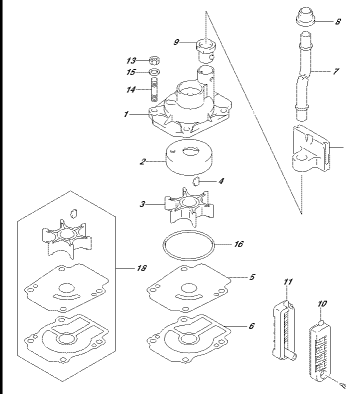


FIG. 160G
DPC84_S&A_PPL_017_H&V
WATER PUMP

FIG. 160H

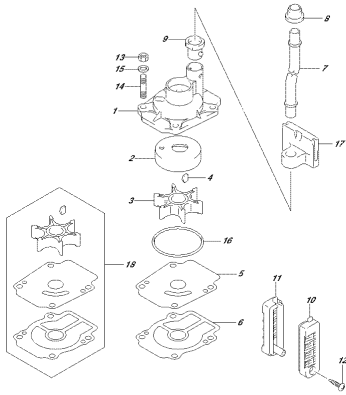


FIG. 160H
BURNER PUMP

FIG. 160J

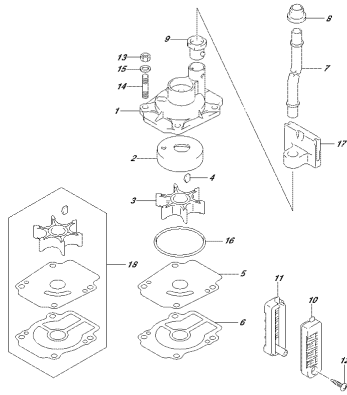


FIG. 160J
BURNER PUMP

FIG. 162A

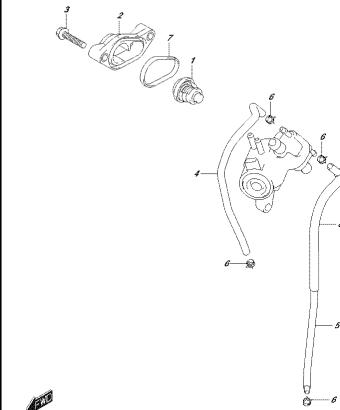


FIG. 162A
BURNER PUMP

FIG. 163A

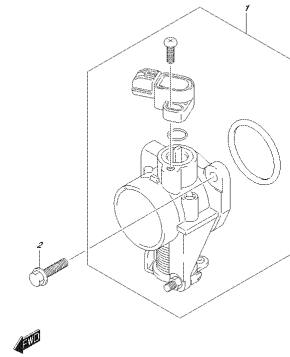


FIG. 163A
BURNER PUMP

FIG. 166A

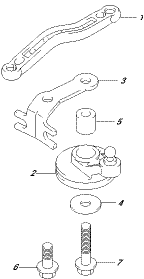


FIG. 166A
BURNER PUMP

FIG. 166B

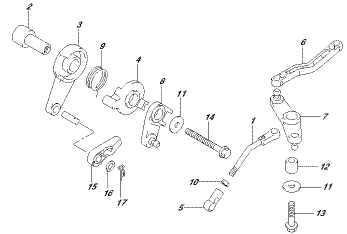


FIG. 166B
BURNER PUMP

FIG. 166C

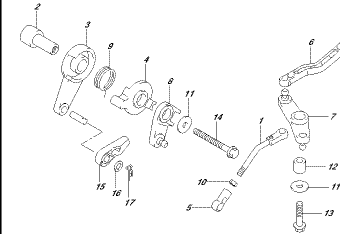


FIG. 166C
BURNER PUMP

FIG. 166D

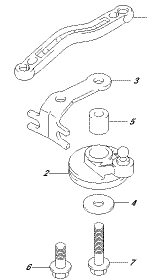


FIG. 166D
BURNER PUMP

FIG.166E

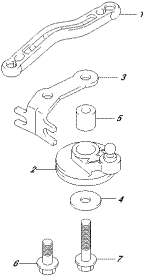


FIG.166E
THROTTLE CONTROL

FIG.166F

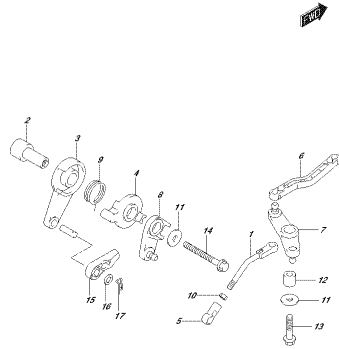


FIG.166F
THROTTLE CONTROL

FIG.166G

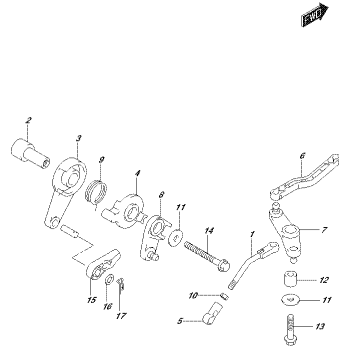


FIG.166G
THROTTLE CONTROL

FIG.166H

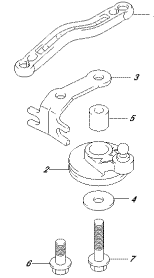


FIG.166H
THROTTLE CONTROL

FIG.166J

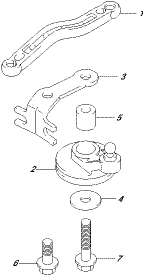


FIG.166J
THROTTLE CONTROL

FIG.167A

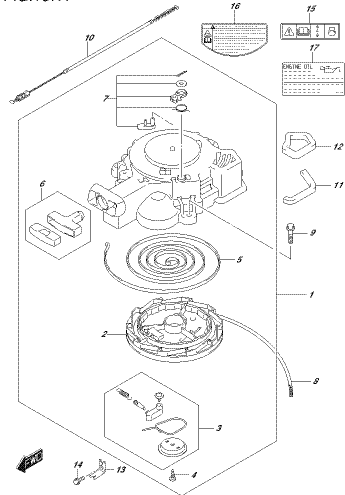


FIG.167A
BEECH STARTER

FIG.175A

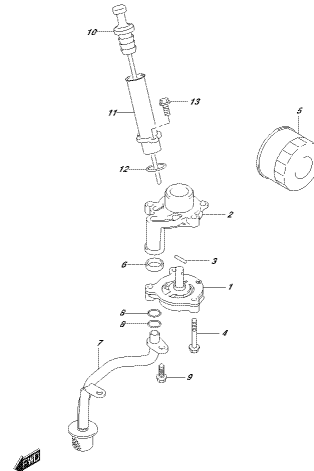


FIG.175A
OIL PUMP

FIG.206A

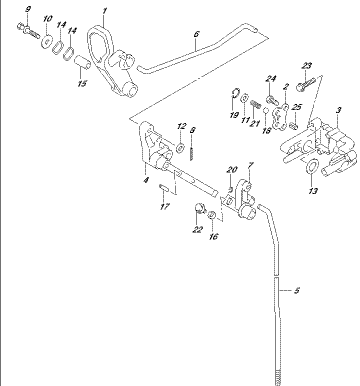


FIG.206A
CLUTCH ROD

FIG.206B

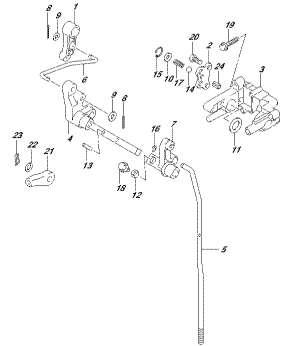


FIG. 206B
FIG. 206B_S&A_P&L_017_006F
CLUTCH RED

FIG.206C

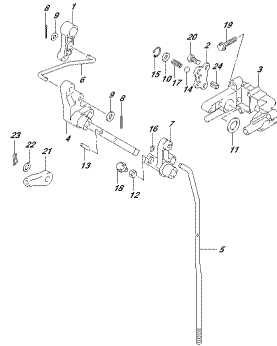


FIG. 206C
FIG. 206C_S&A_P&L_017_006F
CLUTCH RED

FIG.206D

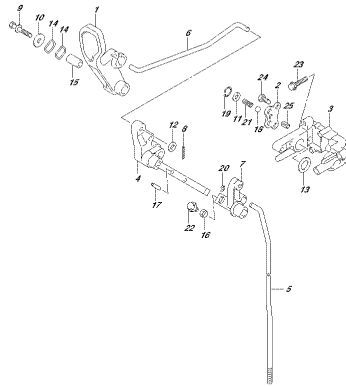


FIG. 206D
FIG. 206D_S&A_P&L_017_006D
CLUTCH RED

FIG.206E

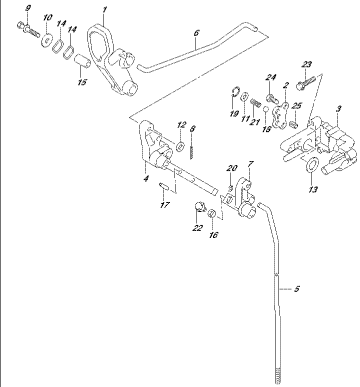


FIG. 206E
FIG. 206E_S&A_P&L_017_006E
CLUTCH RED

FIG.206F

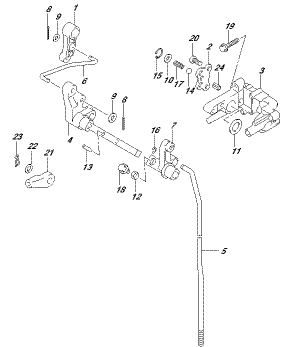


FIG. 206F
FIG. 206F_S&A_P&L_017_006F
CLUTCH RED

FIG.206G

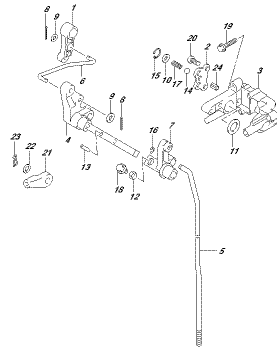


FIG. 206G
FIG. 206G_S&A_P&L_017_006G
CLUTCH RED

FIG.206H

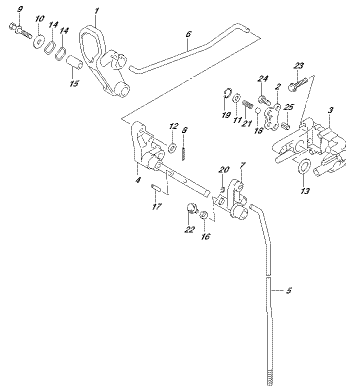


FIG. 206H
FIG. 206H_S&A_P&L_017_006H
CLUTCH RED

FIG.206J

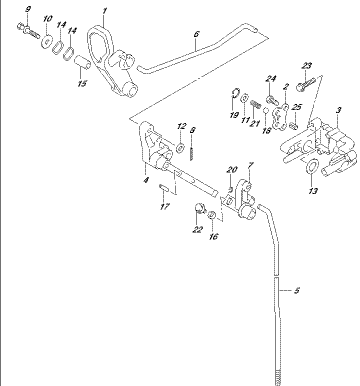


FIG. 206J
FIG. 206J_S&A_P&L_017_006J
CLUTCH RED

FIG.210A

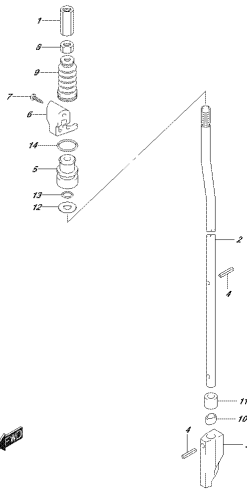


FIG.210A_P01_017_010A
STARTING MOTOR

FIG.220A

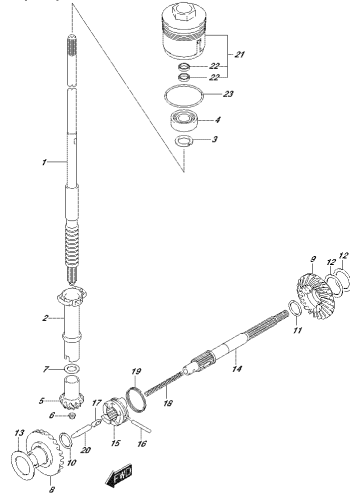


FIG.220A_P01_017_020A
STARTING MOTOR

FIG.301A

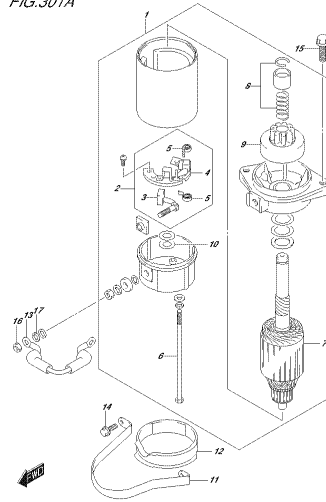


FIG.301A_P01_017_030A
STARTING MOTOR

FIG.301B

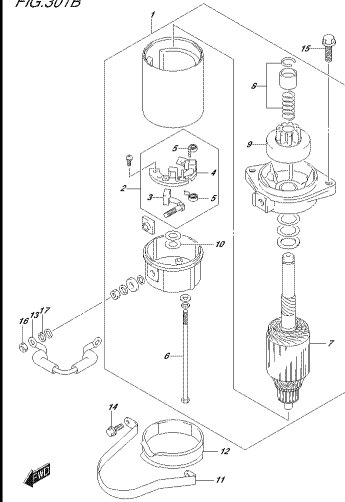


FIG.301B_P01_017_031B
STARTING MOTOR

FIG.301C

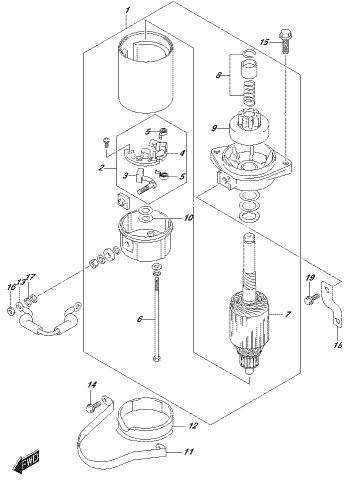


FIG.301C_P01_017_031C
STARTING MOTOR

FIG.301D

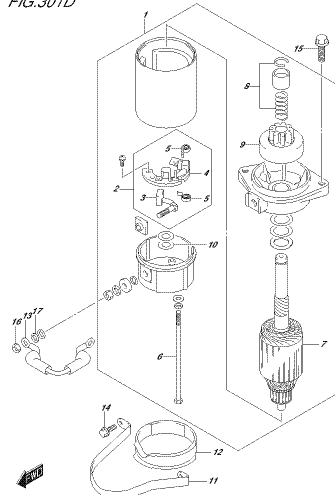


FIG.301D_P01_017_031D
STARTING MOTOR

FIG.301E

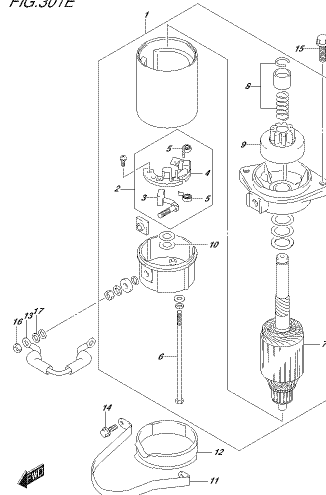


FIG.301E_P01_017_031E
STARTING MOTOR

FIG.301F

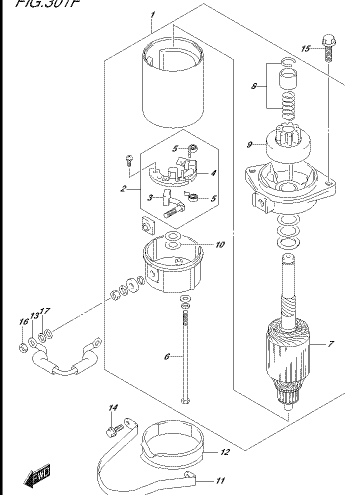


FIG.301F_P01_017_031F
STARTING MOTOR

FIG.301G

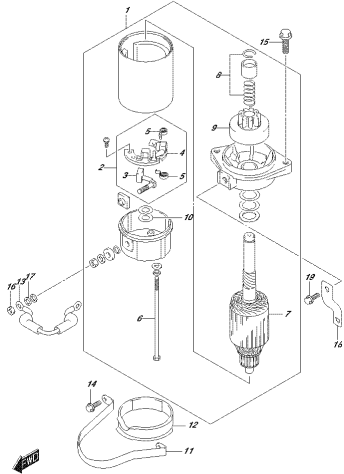


FIG.301G_S&L_P&L_017_201G
274601023ACT000

FIG.301H

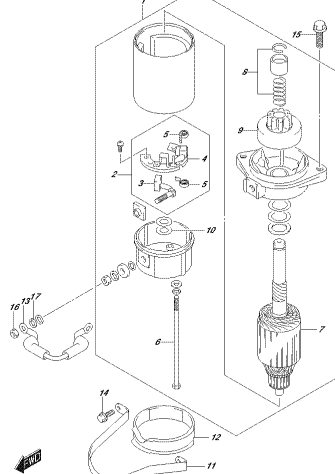


FIG.301H_S&L_P&L_017_201H
274601023ACT000

FIG.301J

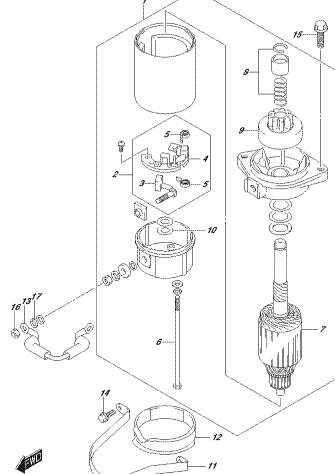


FIG.301J_S&L_P&L_017_201J
274601023ACT000

FIG.303A

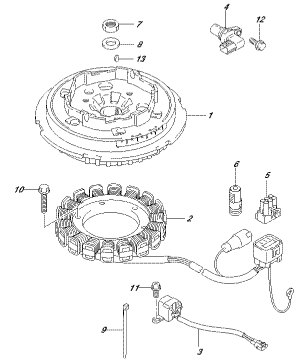


FIG.303A_S&L_P&L_017_203A
MAGNETO

FIG.303B

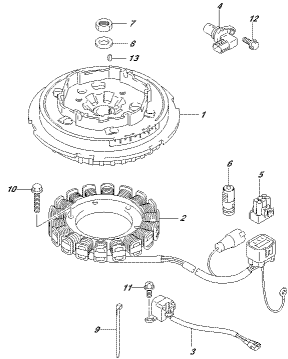


FIG.303B_S&L_P&L_017_203B
MAGNETO

FIG.303C

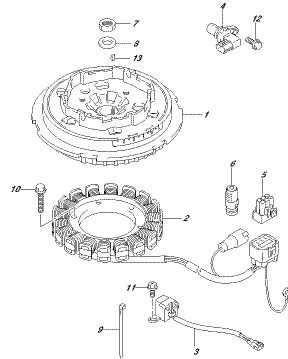


FIG.303C_S&L_P&L_017_203C
MAGNETO

FIG.303D

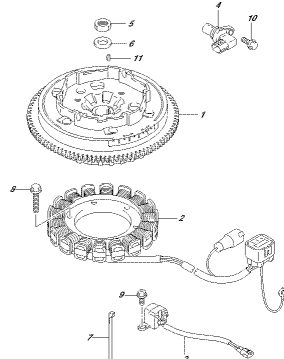


FIG.303D_S&L_P&L_017_203D
MAGNETO

FIG.310A

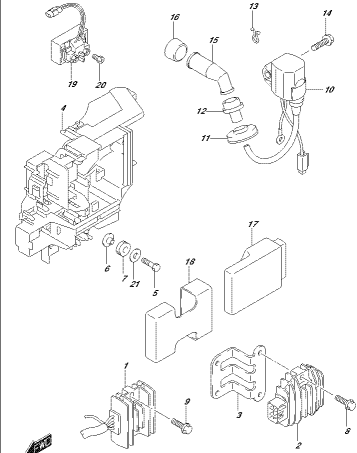


FIG.310A_S&L_P&L_017_210A
RECTOR REFRIGERATION COOL

FIG.310B

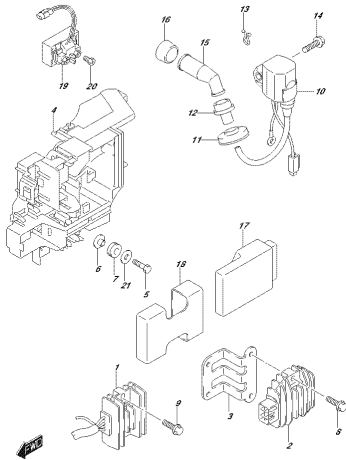


FIG.310B_S&A_PRL_017_010P
REC.TECHNORREVISION.COM

FIG.310C

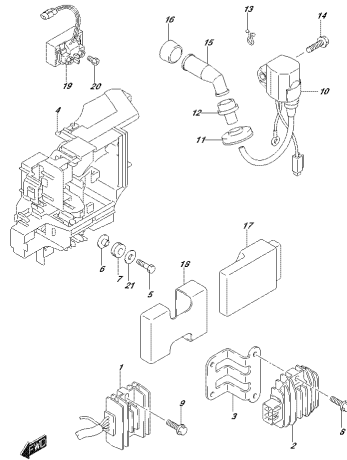


FIG.310C_S&A_PRL_017_010P
REC.TECHNORREVISION.COM

FIG.310D

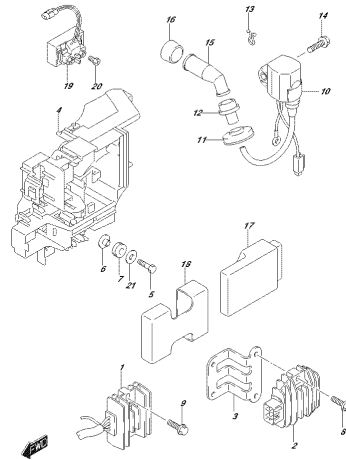


FIG.310D_S&A_PRL_017_010P
REC.TECHNORREVISION.COM

FIG.310E

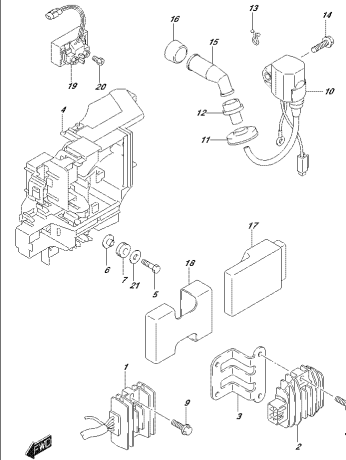


FIG.310E_S&A_PRL_017_010P
REC.TECHNORREVISION.COM

FIG.310F

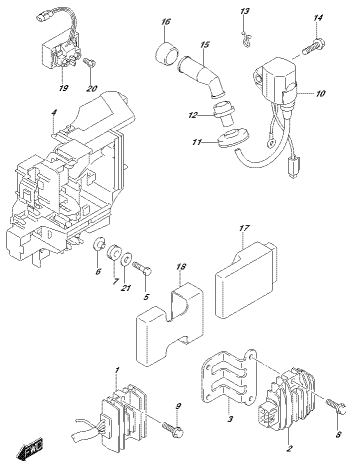


FIG.310F_S&A_PRL_017_010P
REC.TECHNORREVISION.COM

FIG.310G

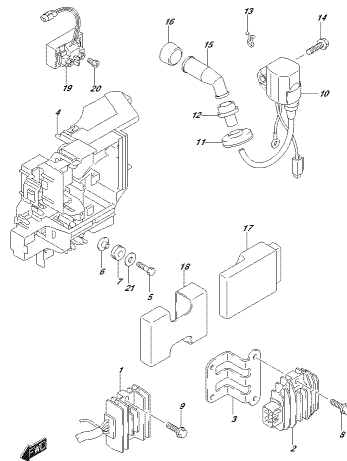


FIG.310G_S&A_PRL_017_010P
REC.TECHNORREVISION.COM

FIG.310H

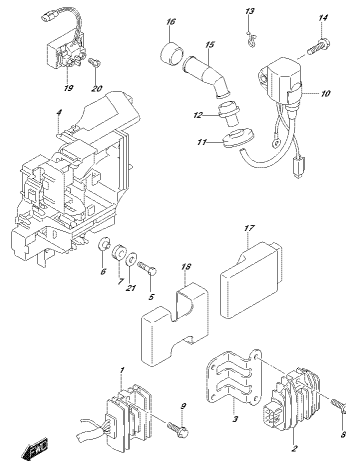


FIG.310H_S&A_PRL_017_010P
REC.TECHNORREVISION.COM

FIG.310J

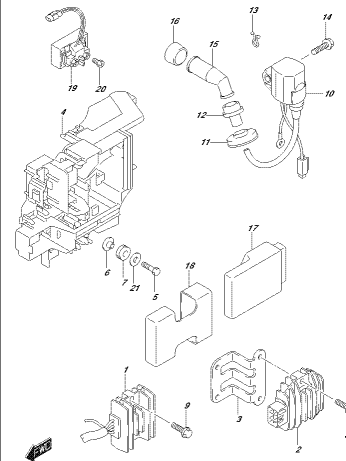
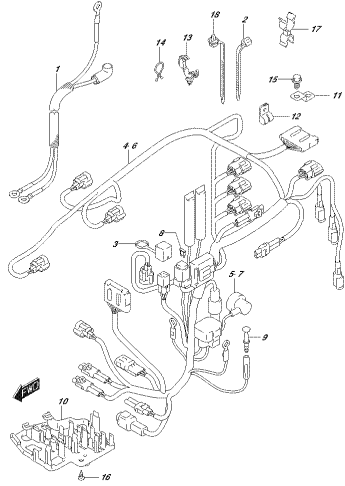


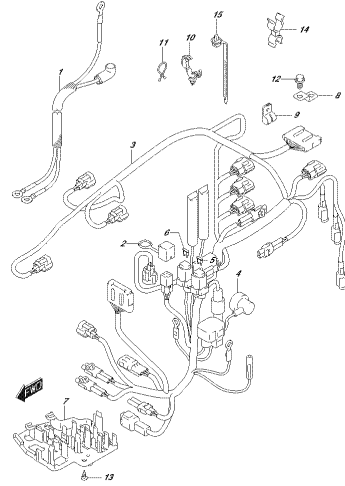
FIG.310J_S&A_PRL_017_010P
REC.TECHNORREVISION.COM

FIG.322A



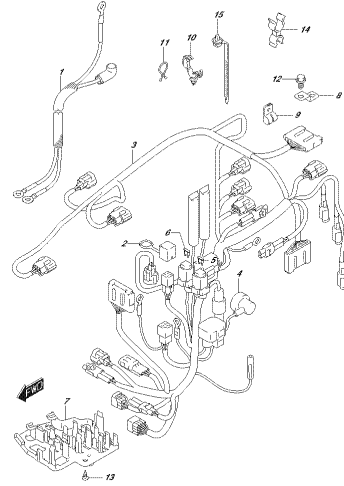
JPC86_84A_PRL_017_322A
HARNESS

FIG.322B



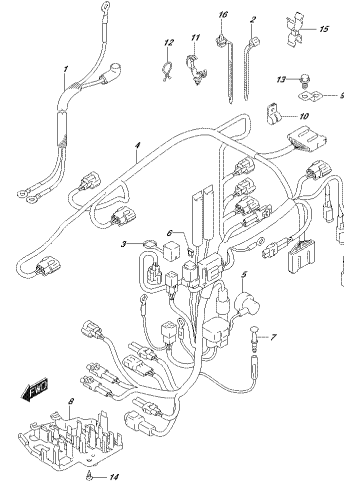
JPC86_84A_PRL_017_322B
HARNESS

FIG.322C



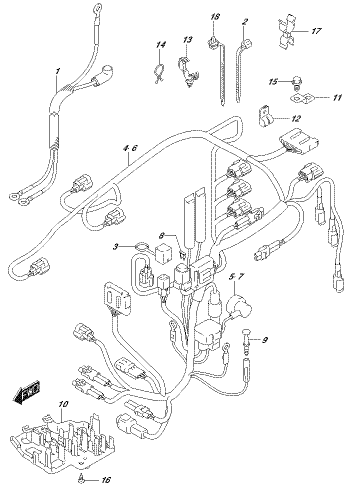
JPC86_84A_PRL_017_322C
HARNESS

FIG.322D



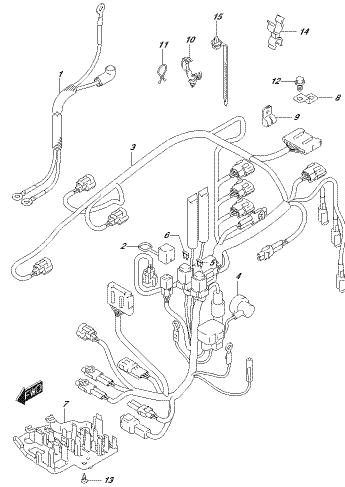
JPC86_84A_PRL_017_322D
HARNESS

FIG.322E



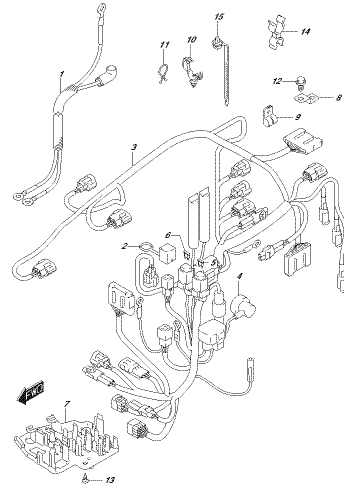
JPC86_84A_PRL_017_322E
HARNESS

FIG.322F



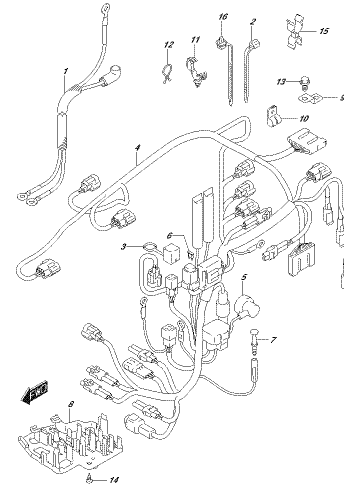
JPC86_84A_PRL_017_322F
HARNESS

FIG.322G



JPC86_84A_PRL_017_322G
HARNESS

FIG.322H



JPC86_84A_PRL_017_322H
HARNESS

FIG.322J

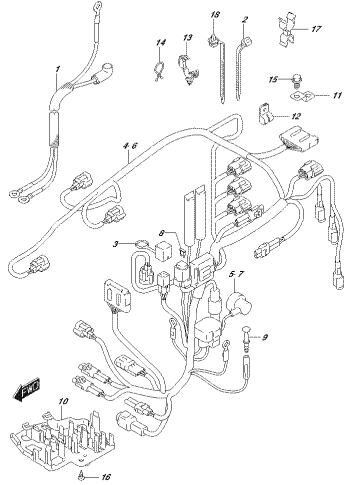


FIG.32A

FIG.327A

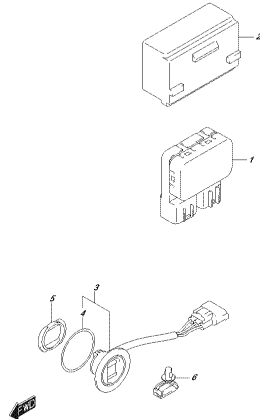


FIG.327B

FIG.327B

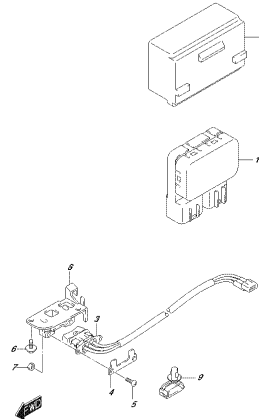


FIG.327C

FIG.327C

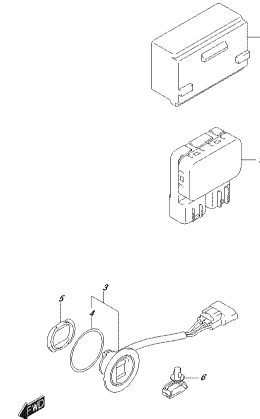


FIG.327D

FIG.327D

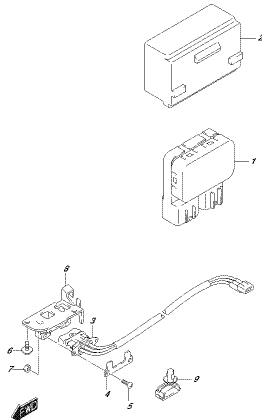


FIG.334A

FIG.334A

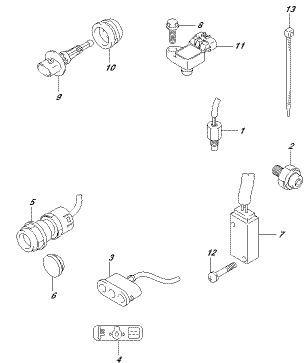


FIG.334B

FIG.334B

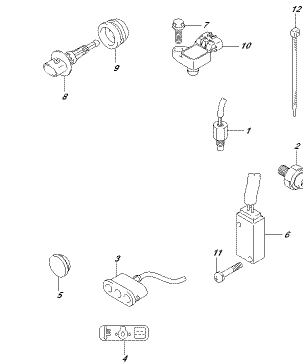


FIG.334C

FIG.334C

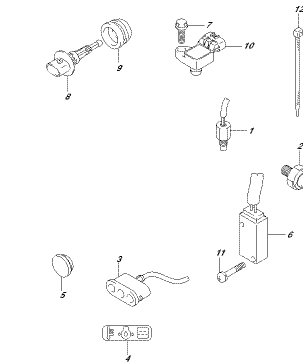


FIG.334C

FIG.334D

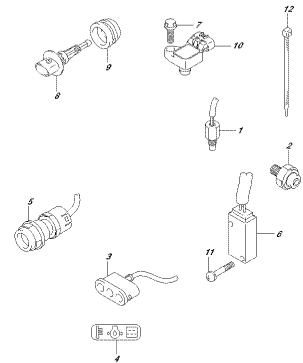


FIG.334, S&A, P&L, 017, 034D
SENSORSWITCH

FIG.334E

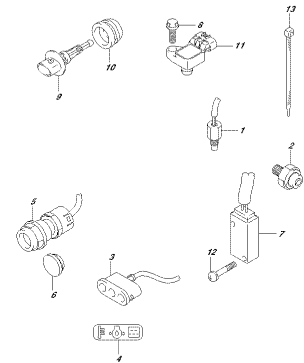


FIG.334, S&A, P&L, 017, 034E
SENSORSWITCH

FIG.334F

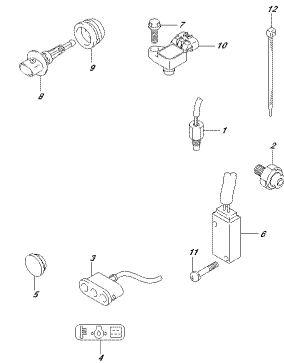


FIG.334, S&A, P&L, 017, 034F
SENSORSWITCH

FIG.334G

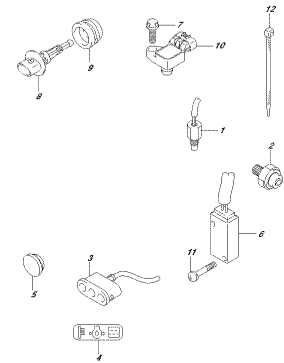


FIG.334, S&A, P&L, 017, 034G
SENSORSWITCH

FIG.334H

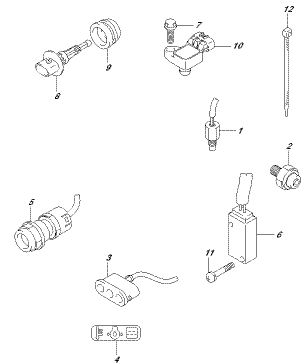


FIG.334, S&A, P&L, 017, 034H
SENSORSWITCH

FIG.334I

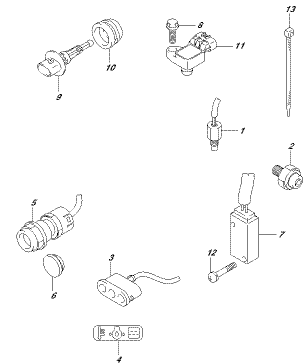


FIG.334, S&A, P&L, 017, 034I
SENSORSWITCH

FIG.335A

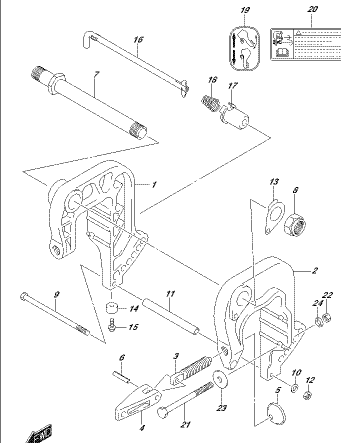


FIG.335, S&A, P&L, 017, 035A
CLAMPBRACKET

FIG.335B

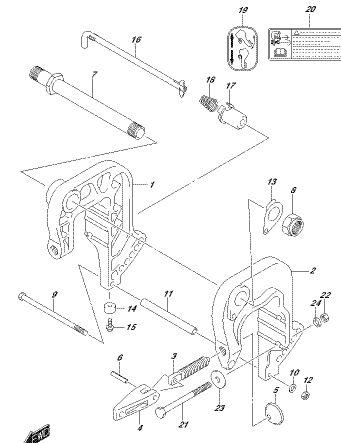


FIG.335, S&A, P&L, 017, 035B
CLAMPBRACKET

FIG.335C

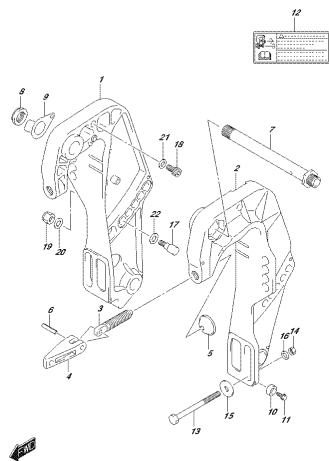


FIG.335C_S&L_P&L_017_335C
CLAMP BRACKET

FIG.335D

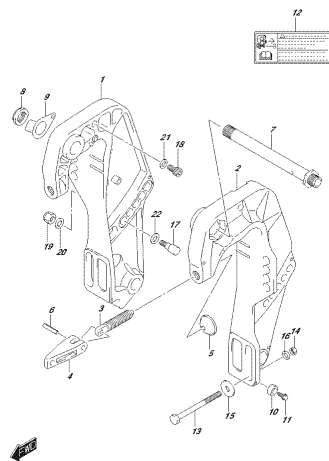


FIG.335D_S&L_P&L_017_335D
CLAMP BRACKET

FIG.335E

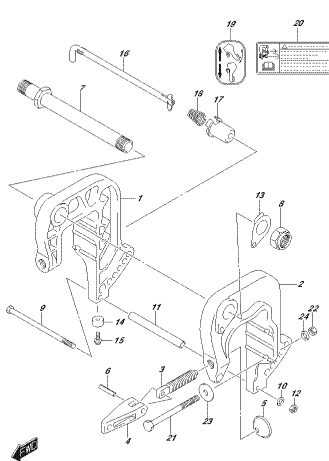


FIG.335E_S&L_P&L_017_335E
CLAMP BRACKET

FIG.335F

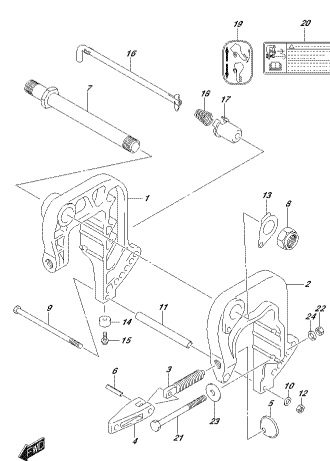


FIG.335F_S&L_P&L_017_335F
CLAMP BRACKET

FIG.335G

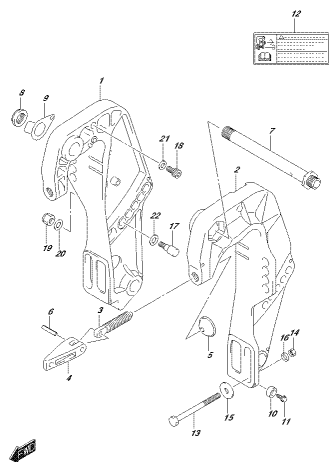


FIG.335G_S&L_P&L_017_335G
CLAMP BRACKET

FIG.335H

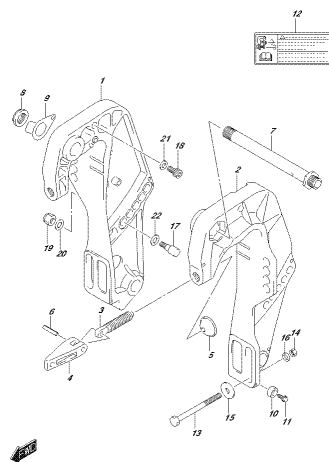


FIG.335H_S&L_P&L_017_335H
CLAMP BRACKET

FIG.335J

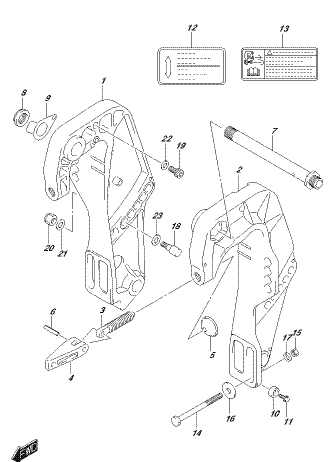


FIG.335J_S&L_P&L_017_335J
CLAMP BRACKET

FIG.336A

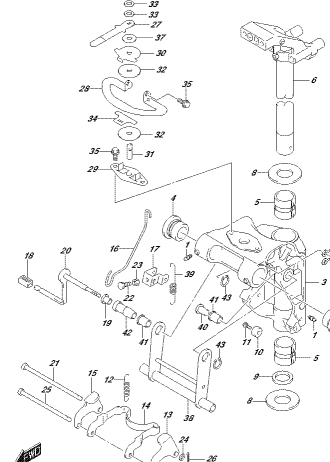


FIG.336A_S&L_P&L_017_336A
SWIVEL BRACKET

FIG.336B

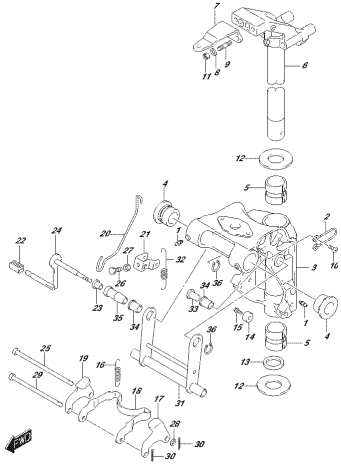


FIG.336A_S&A_P&L_017_036F
SWIVEL BRACKET

FIG.336C

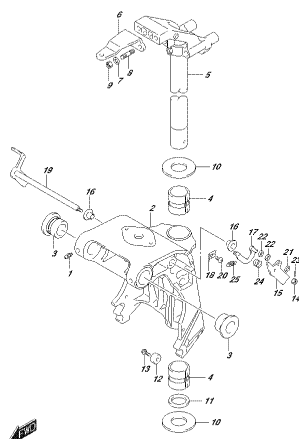


FIG.336A_S&A_P&L_017_036F
SWIVEL BRACKET

FIG.336D

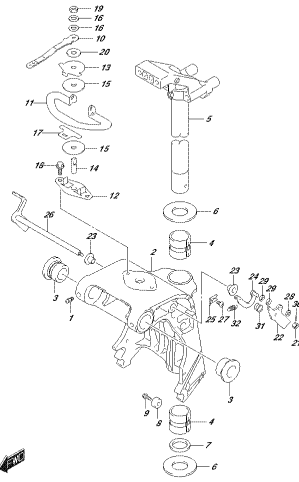


FIG.336A_S&A_P&L_017_036F
SWIVEL BRACKET

FIG.336E

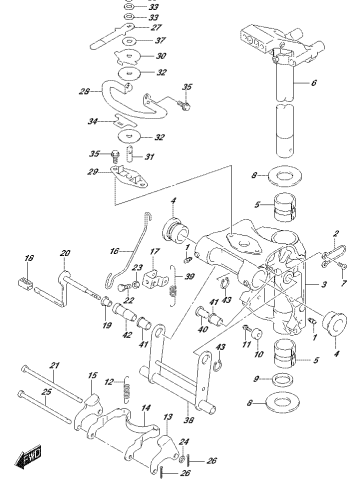


FIG.336A_S&A_P&L_017_036F
SWIVEL BRACKET

FIG.336F

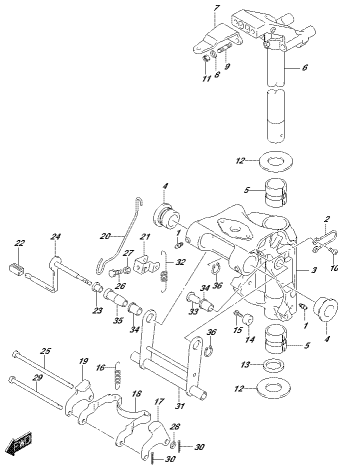


FIG.336A_S&A_P&L_017_036F
SWIVEL BRACKET

FIG.336G

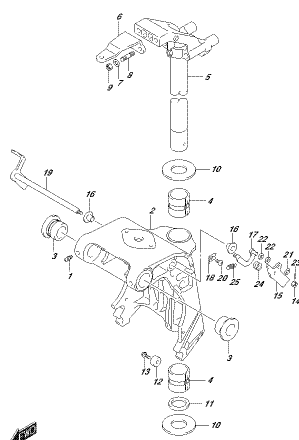


FIG.336A_S&A_P&L_017_036G
SWIVEL BRACKET

FIG.336H

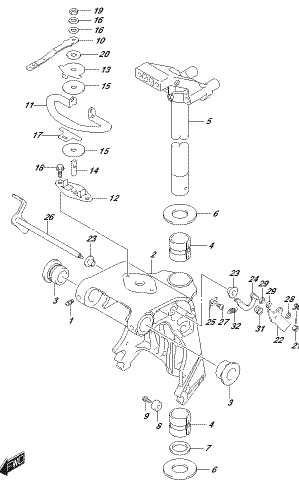


FIG.336A_S&A_P&L_017_036F
SWIVEL BRACKET

FIG.336J

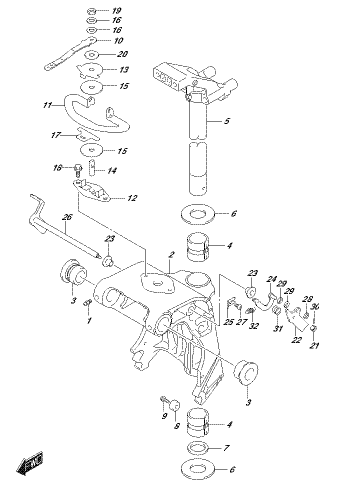


FIG.336A_S&A_P&L_017_036J
SWIVEL BRACKET

FIG.338A

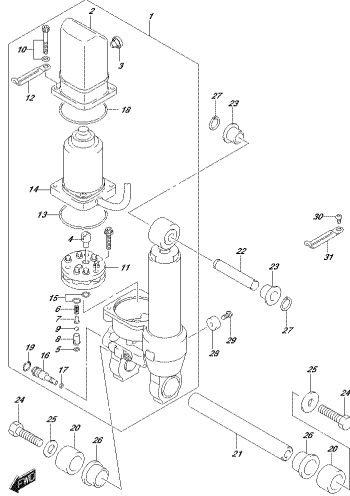


FIG.338A_BSA_PRL_017_338A
PIT C/200352

FIG.338B

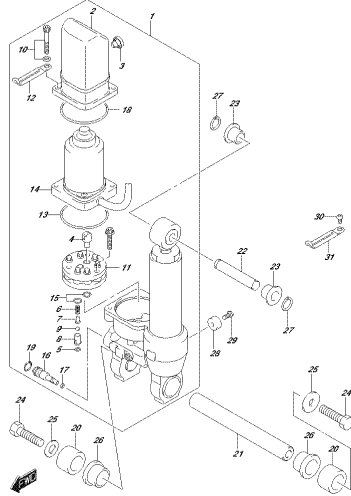


FIG.338B_BSA_PRL_017_338B
PIT C/200352

FIG.338C

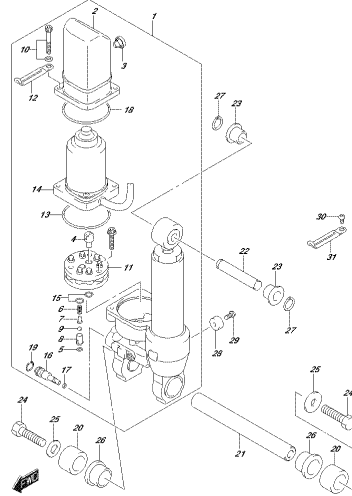


FIG.338C_BSA_PRL_017_338C
PIT C/200352

FIG.338D

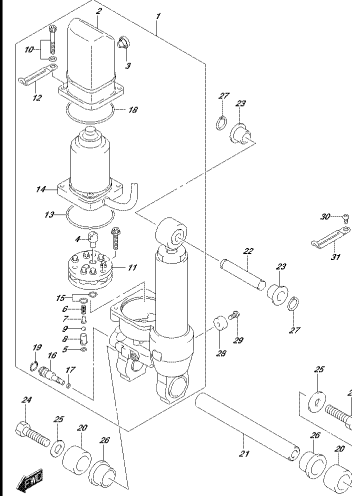


FIG.338D_BSA_PRL_017_338D
PIT C/200352

FIG.339A

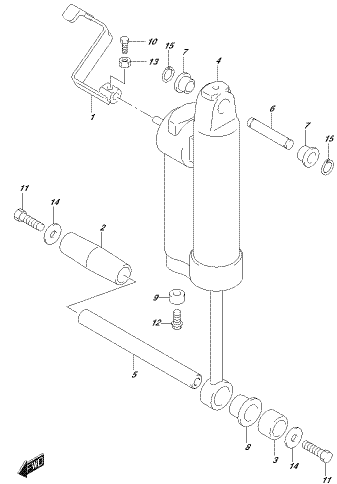


FIG.339A_BSA_PRL_017_339A
GAS CYLINDER

FIG.340A

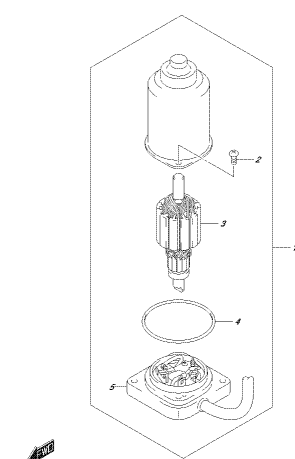


FIG.340A_BSA_PRL_017_340A
PIT METOR

FIG.340B

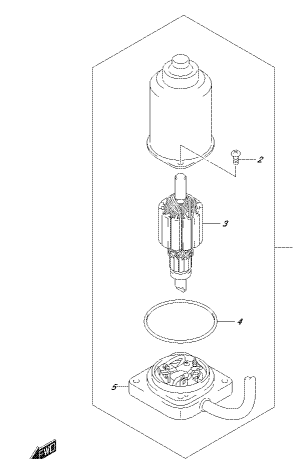


FIG.340B_BSA_PRL_017_340B
PIT METOR

FIG.340C

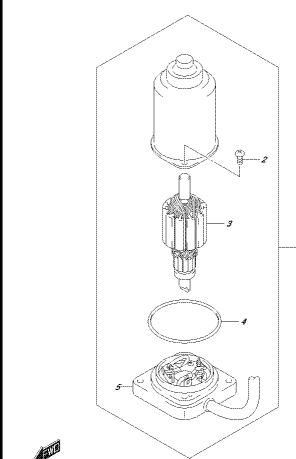


FIG.340C_BSA_PRL_017_340C
PIT METOR

FIG.340D

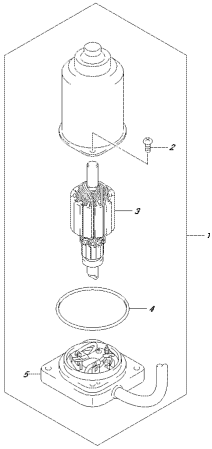


FIG.340, S&A, P&L, 017, 340D
PIT 402320

FIG.401A

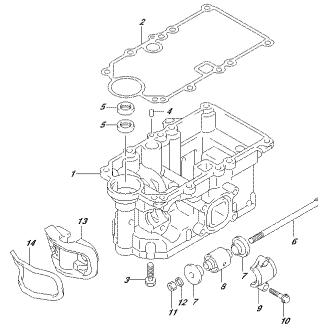


FIG.340, S&A, P&L, 017, 401A
ENGINE 401000

FIG.405A

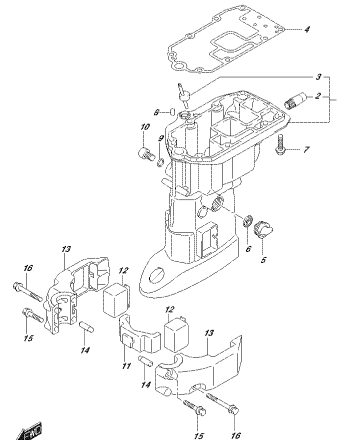


FIG.340, S&A, P&L, 017, 405A
ENGINE 401000

FIG.407A

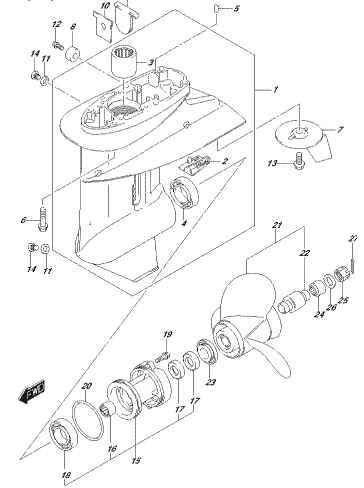


FIG.340, S&A, P&L, 017, 407A
BEARINGS

FIG.410A

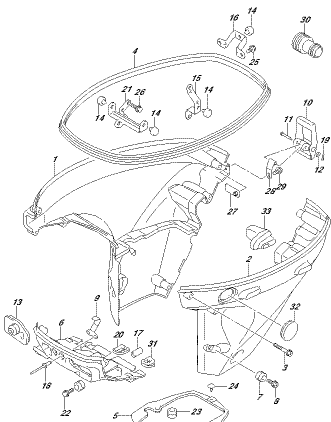


FIG.340, S&A, P&L, 017, 410A
SEE COVER

FIG.410B

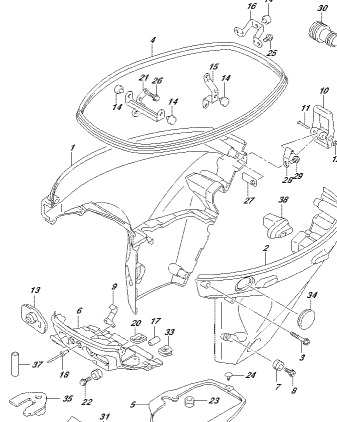


FIG.340, S&A, P&L, 017, 410B
SEE COVER

FIG.410C

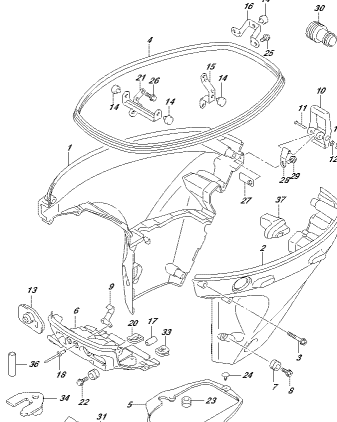


FIG.340, S&A, P&L, 017, 410C
SEE COVER

FIG.410D

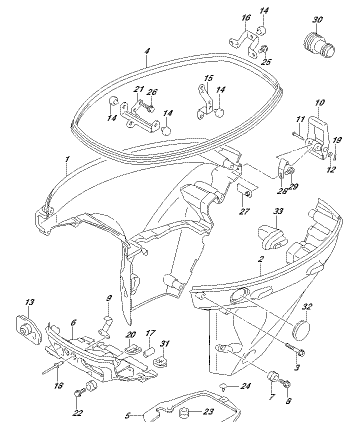


FIG.340, S&A, P&L, 017, 410D
SEE COVER

FIG.410E

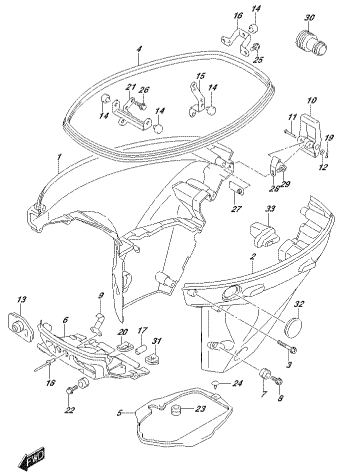


FIG.410E
SUZUKI_S&A_PRL/07Z_410E
SEE COVER

FIG.410F

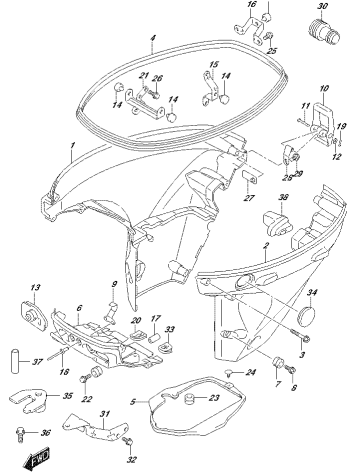


FIG.410F
SUZUKI_S&A_PRL/07Z_410F
SEE COVER

FIG.410G

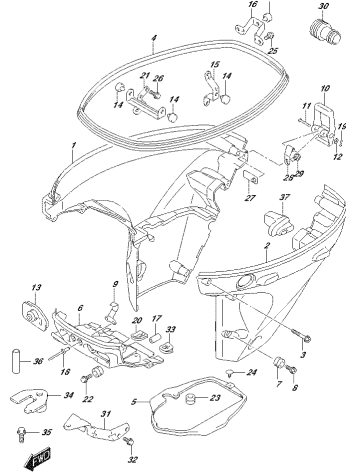


FIG.410G
SUZUKI_S&A_PRL/07Z_410G
SEE COVER

FIG.410H

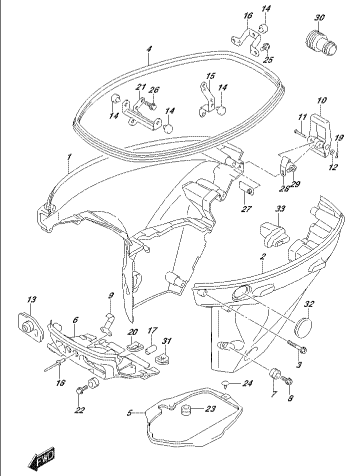


FIG.410H
SUZUKI_S&A_PRL/07Z_410H
SEE COVER

FIG.410J

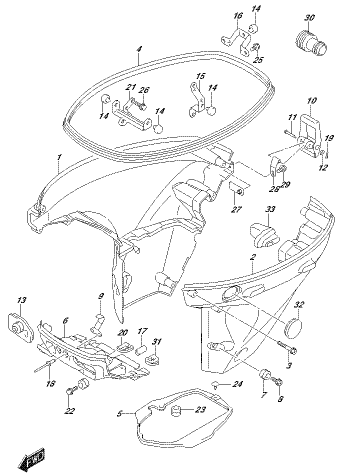


FIG.410J
SUZUKI_S&A_PRL/07Z_410J
SEE COVER

FIG.420A

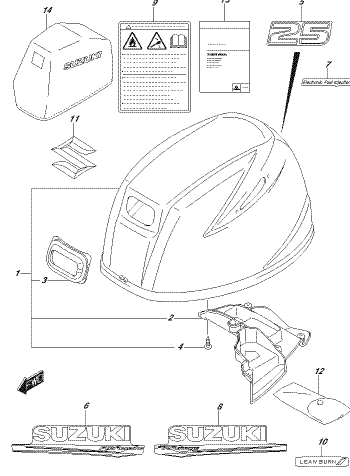


FIG.420A
SUZUKI_S&A_PRL/07Z_420A
ENGINE COVER

FIG.420B

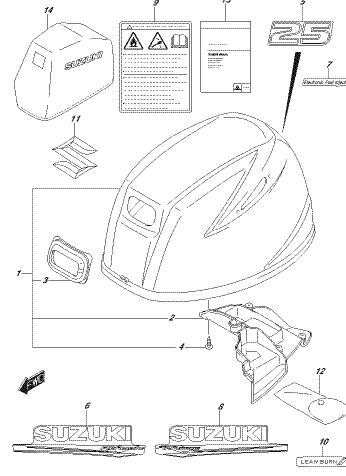


FIG.420B
SUZUKI_S&A_PRL/07Z_420B
ENGINE COVER

FIG.420C

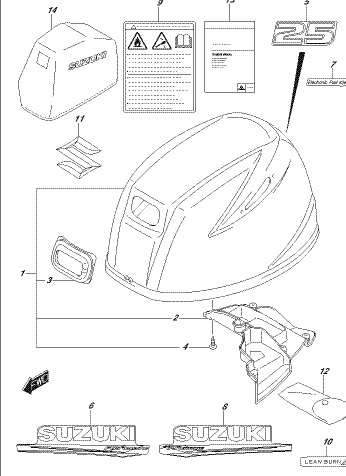


FIG.420C
SUZUKI_S&A_PRL/07Z_420C
ENGINE COVER

FIG.420D

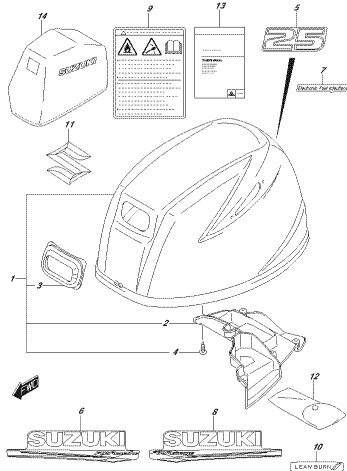


FIG.420D, 30A, PVL, 017, 40D
ENGINE COVER

FIG.420E

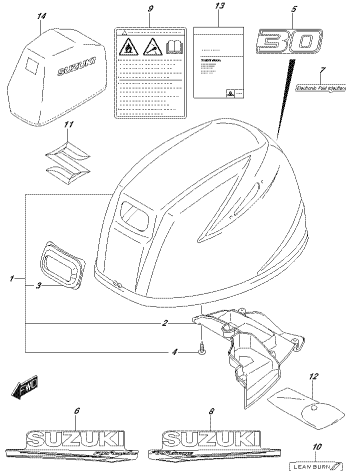


FIG.420E, 30A, PVL, 017, 40E
ENGINE COVER

FIG.420F

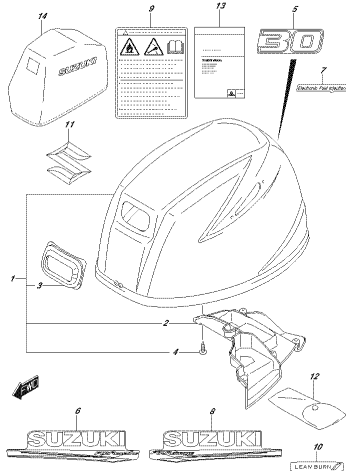


FIG.420F, 30A, PVL, 017, 40F
ENGINE COVER

FIG.420G

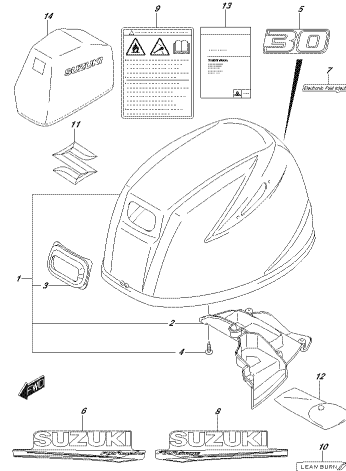


FIG.420G, 30A, PVL, 017, 40G
ENGINE COVER

FIG.420H

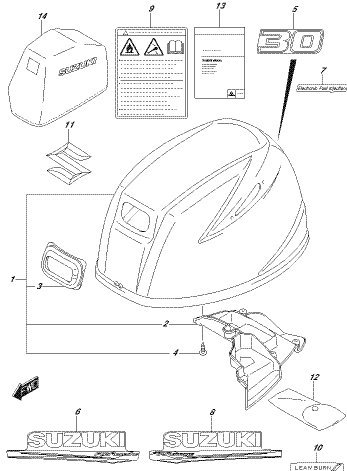


FIG.420H, 30A, PVL, 017, 40H
ENGINE COVER

FIG.420J

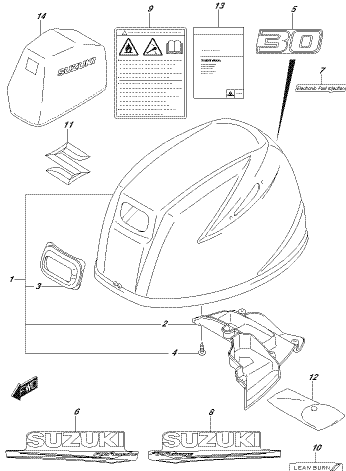


FIG.420J, 30A, PVL, 017, 40J
ENGINE COVER

FIG.432A

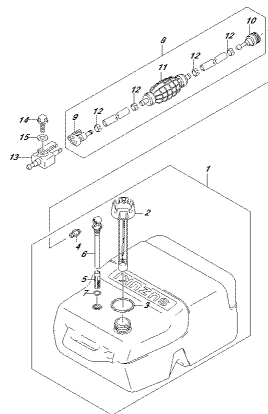


FIG.432A, 30A, PVL, 017, 43A
FUEL TANK

FIG.442A

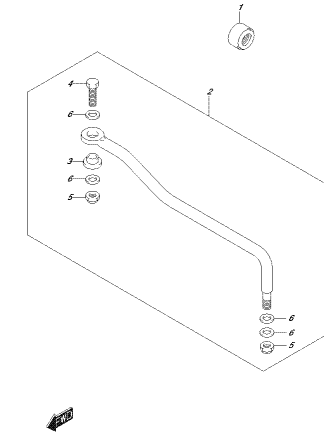


FIG.442A, 30A, PVL, 017, 44A
FUEL TANK

FIG.442B

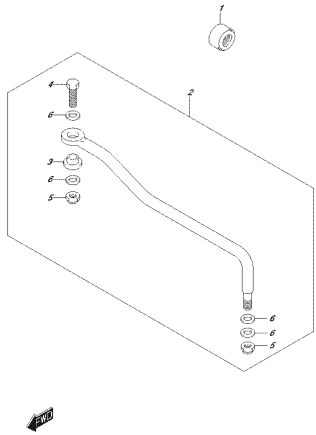


FIG.442B
TILE HANDLE

FIG.442C

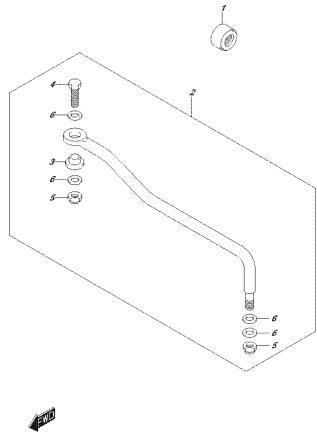


FIG.442C
TILE HANDLE

FIG.442D

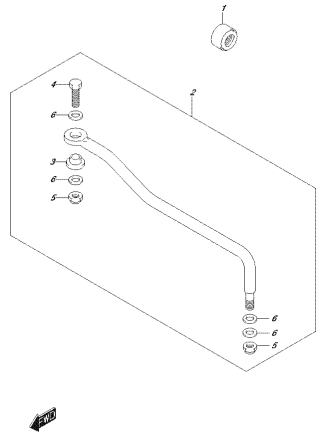


FIG.442D
TILE HANDLE

FIG.444A

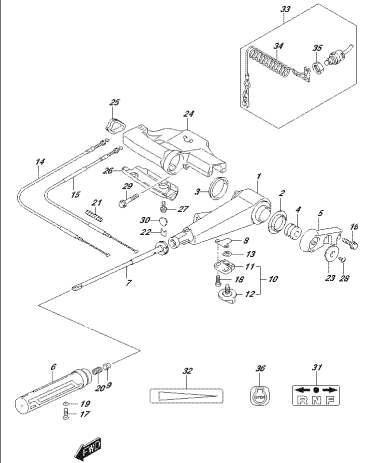


FIG.444A
TILE HANDLE

FIG.444B

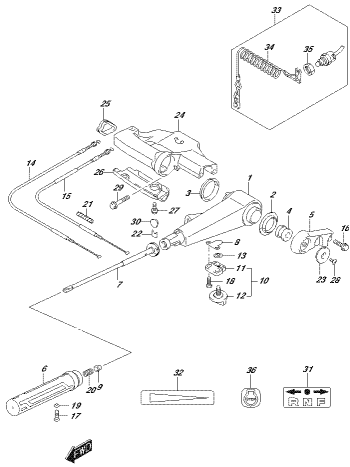


FIG.444B
TILE HANDLE

FIG.444C

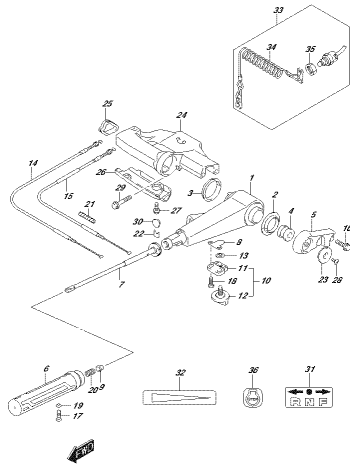


FIG.444C
TILE HANDLE

FIG.444D

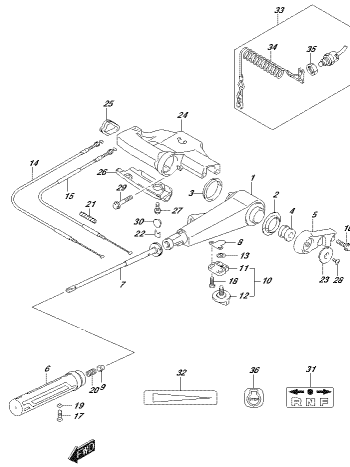


FIG.444D
TILE HANDLE

FIG.444E

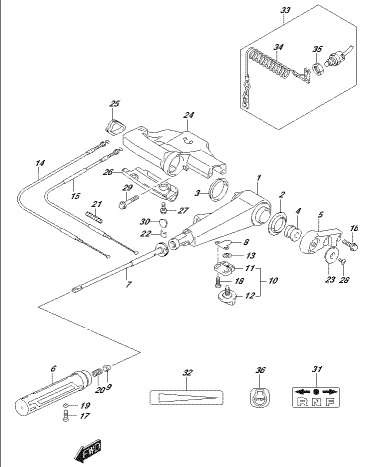


FIG.444E
TILE HANDLE

FIG.450A

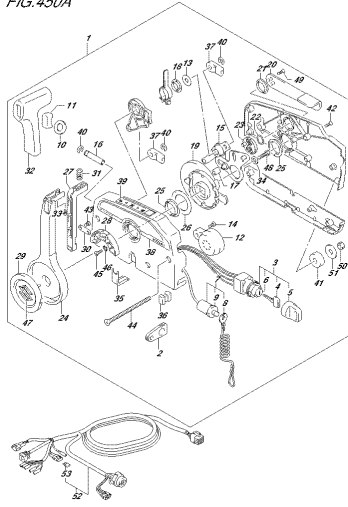


FIG.450A_P01_017_450A
READ/WRITE CONTROL

FIG.450B

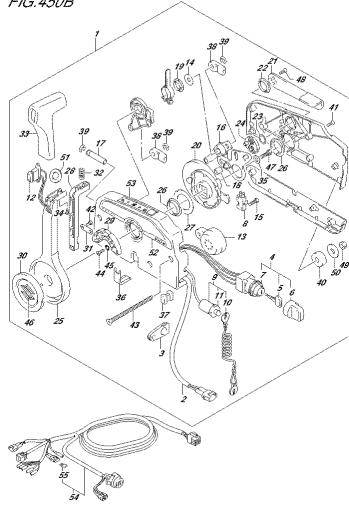


FIG.450B_P01_017_450B
READ/WRITE CONTROL

FIG.450C

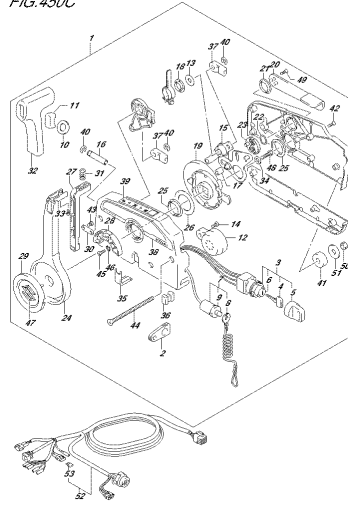


FIG.450C_P01_017_450C
READ/WRITE CONTROL

FIG.450D

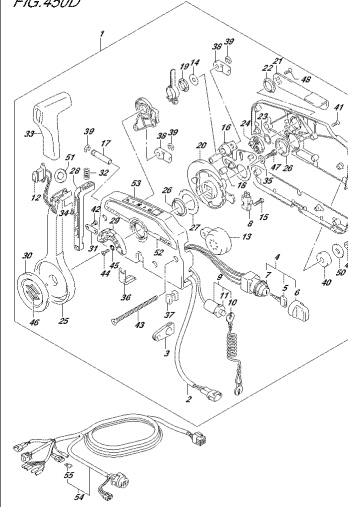


FIG.450D_P01_017_450D
READ/WRITE CONTROL

FIG.501A

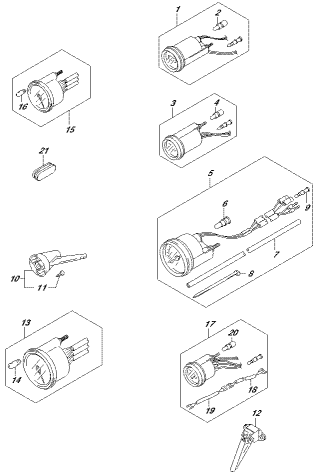


FIG.501A_P01_017_501A
OPT.HEADS

FIG.501B

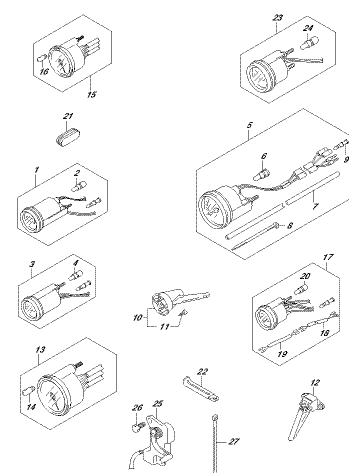


FIG.501B_P01_017_501B
OPT.HEADS

FIG.501C

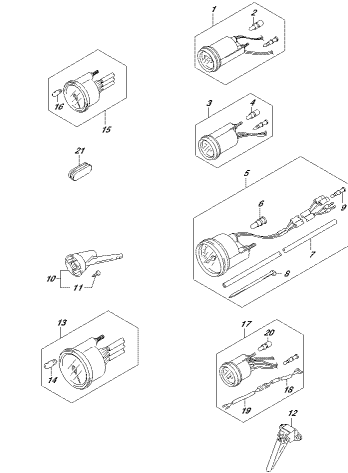


FIG.501C_P01_017_501C
OPT.HEADS

FIG.501D

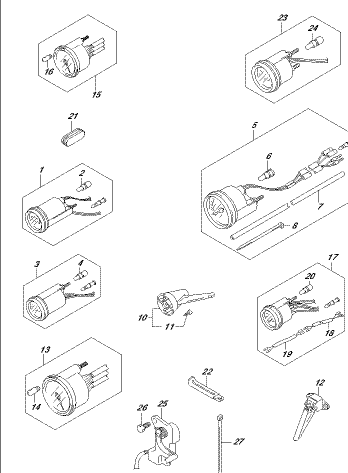


FIG.501D_P01_017_501D
OPT.HEADS

FIG.508A

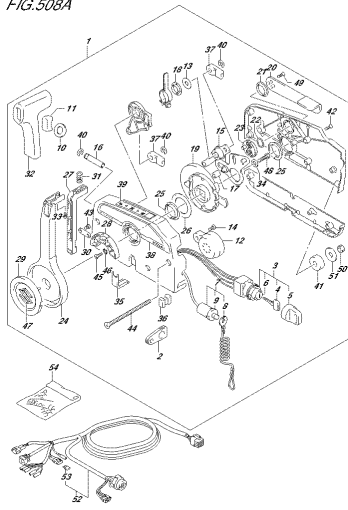


FIG.508A_S&A_PEL.017.6104
OPTIPARANTE CONTROL

FIG.508B

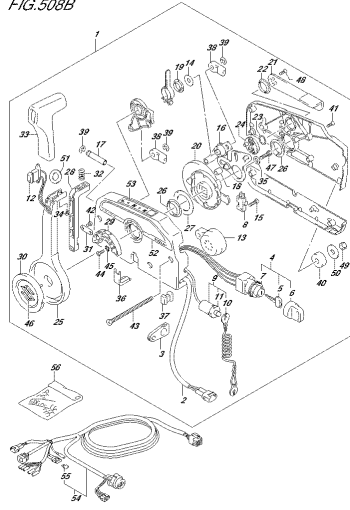


FIG.508B_S&A_PEL.017.6109
OPTIPARANTE CONTROL

FIG.508C

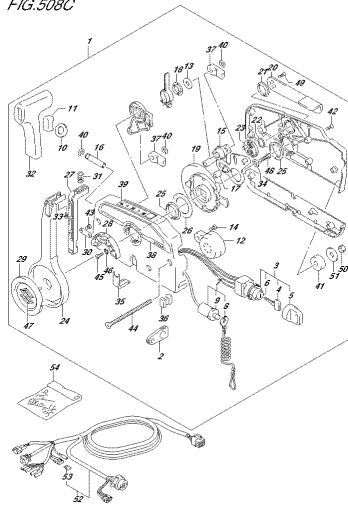


FIG.508C_S&A_PEL.017.610C
OPTIPARANTE CONTROL

FIG.508D

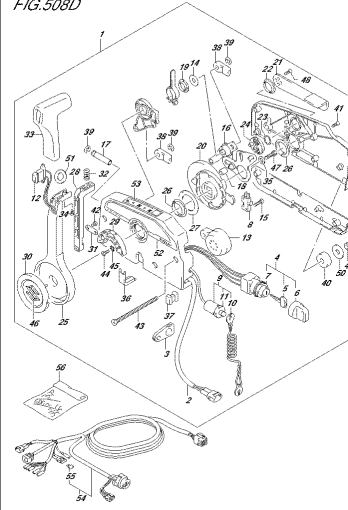


FIG.508D_S&A_PEL.017.610D
OPTIPARANTE CONTROL

FIG.508E

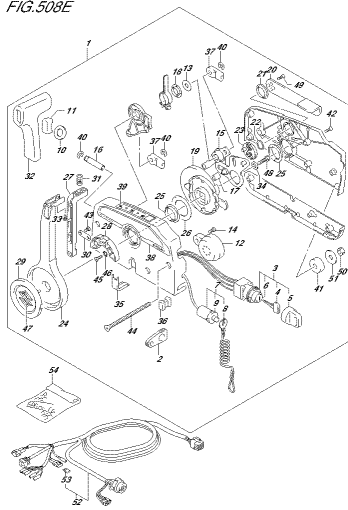


FIG.508E_S&A_PEL.017.610E
OPTIPARANTE CONTROL

FIG.513A

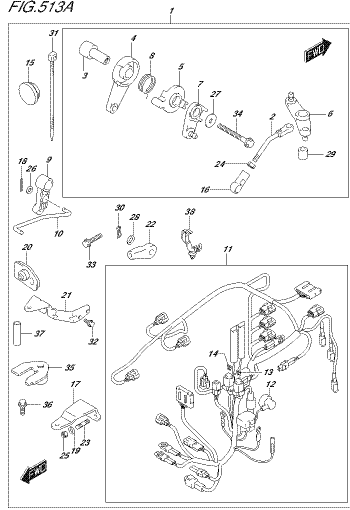


FIG.513A_S&A_PEL.017.613A
OPTIPARANTE CONTROL PARTS

FIG.513B

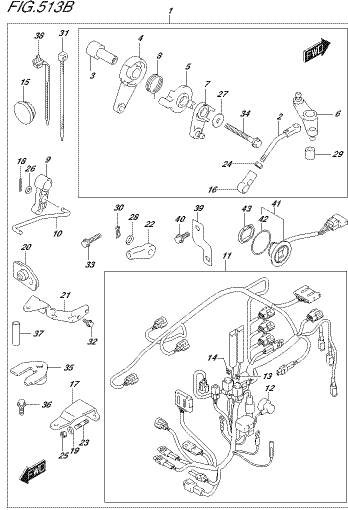


FIG.513B_S&A_PEL.017.613B
OPTIPARANTE CONTROL PARTS

FIG.513C

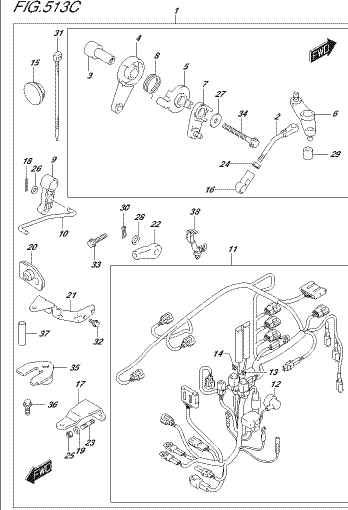


FIG.513C_S&A_PEL.017.613C
OPTIPARANTE CONTROL PARTS

FIG.513D

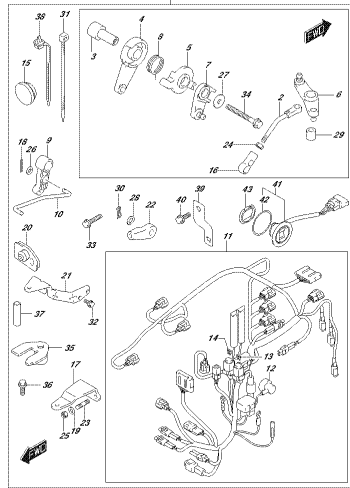


FIG.513D
OPT. REMOTE CONTROL PARTS

FIG.513E

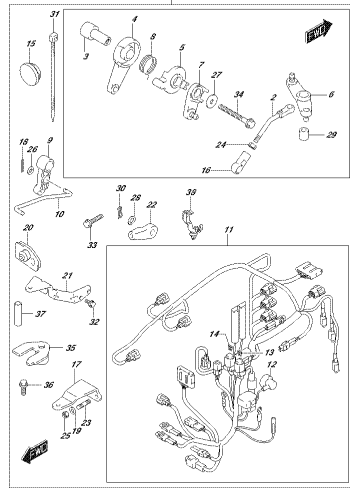


FIG.513E
OPT. REMOTE CONTROL PARTS

FIG.515A

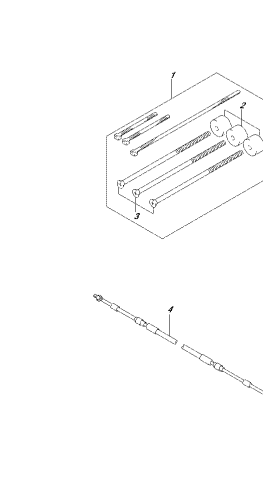


FIG.515A
OPT. REMOTE CONTROL PARTS

FIG.517A

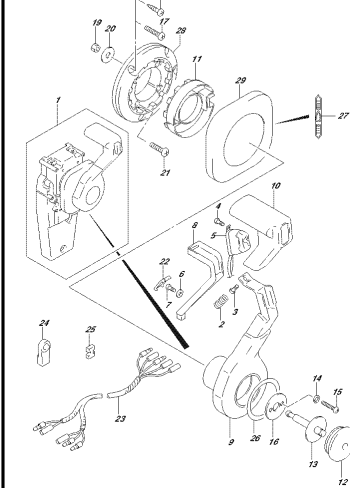


FIG.517A
OPT. REMOTE CONTROL PARTS

FIG.517B

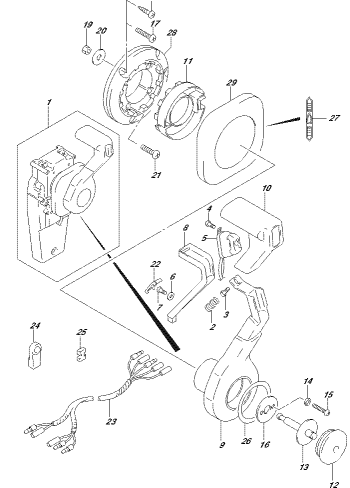


FIG.517B
OPT. REMOTE CONTROL PARTS

FIG.517C

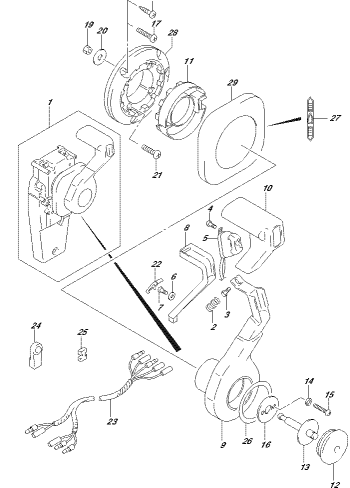


FIG.517C
OPT. REMOTE CONTROL PARTS

FIG.517D

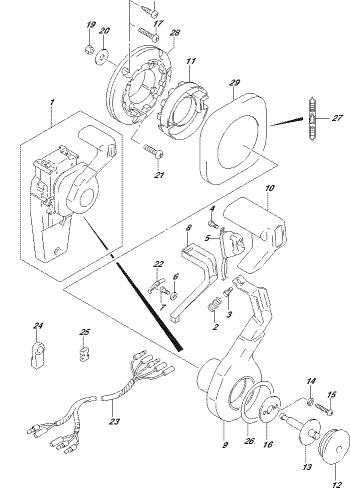


FIG.517D
OPT. REMOTE CONTROL PARTS

FIG.518A

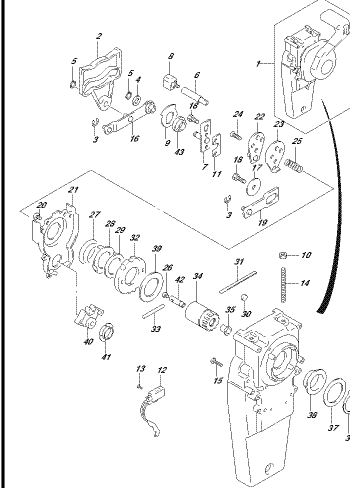


FIG.518A
OPT. REMOTE CONTROL PARTS

FIG.518B

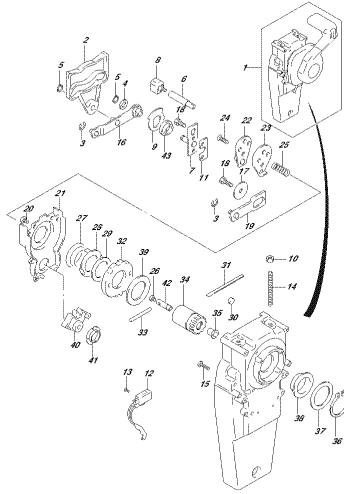


FIG.518B
OPT:CONTROL BANDON (2)

FIG.518C

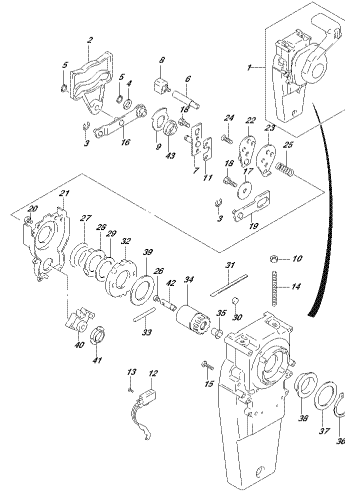


FIG.518C
OPT:CONTROL BANDON (2)

FIG.518D

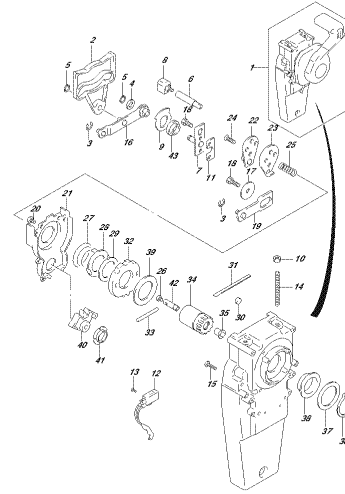


FIG.518D
OPT:CONTROL BANDON (2)

FIG.519A

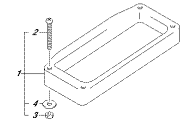


FIG.519A
OPT:REMOTE CONTROL SENSER

FIG.521A

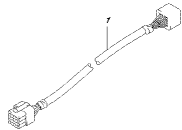


FIG.521A
OPT:HARNESS

FIG.521B

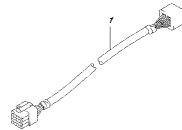


FIG.521B
OPT:HARNESS

FIG.521C

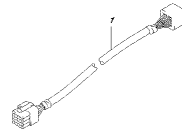


FIG.521C
OPT:HARNESS

FIG.521D

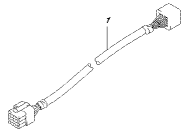


FIG.521D
OPT:HARNESS

FIG.530A

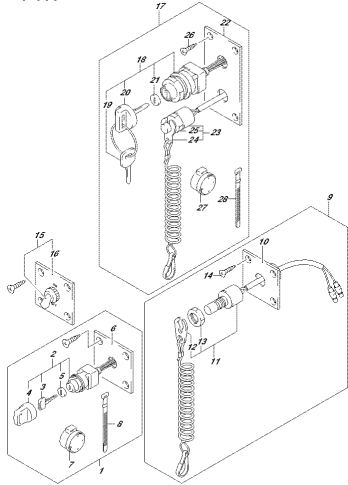


FIG.530A_PRL_017_530A
OPT.PARABOLIC CONTROL ASSY SINGLE (1)

FIG.530B

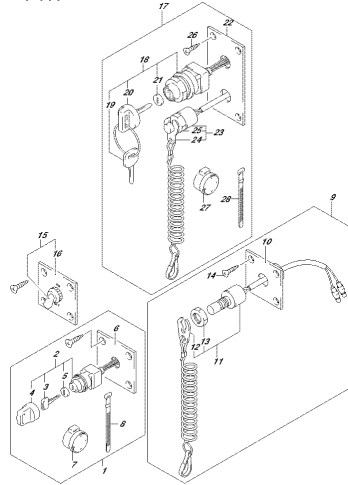


FIG.530B_PRL_017_530B
OPT.PARABOLIC CONTROL ASSY SINGLE (1)

FIG.530C

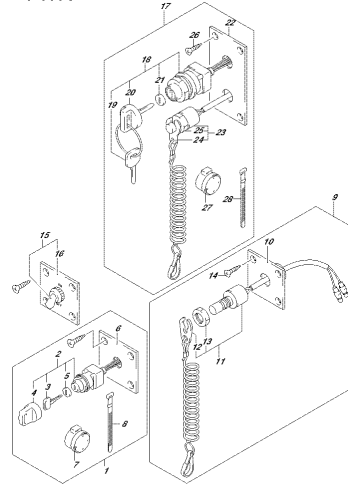


FIG.530C_PRL_017_530C
OPT.PARABOLIC CONTROL ASSY SINGLE (1)

FIG.530D

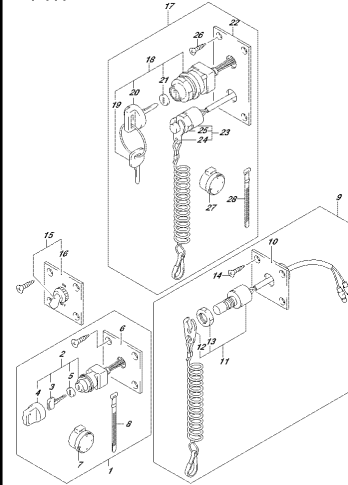


FIG.530D_PRL_017_530D
OPT.PARABOLIC CONTROL ASSY SINGLE (1)

FIG.544A

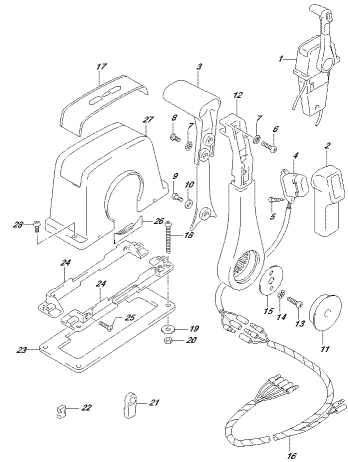


FIG.544A_PRL_017_544A
OPT.PARABOLIC CONTROL ASSY SINGLE (1)

FIG.544B

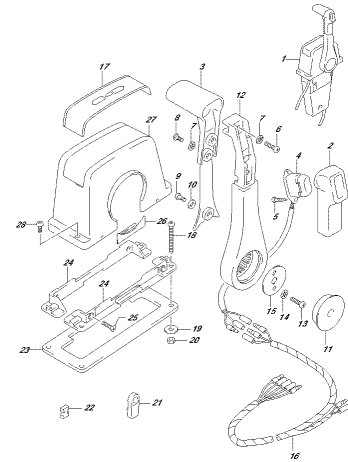


FIG.544B_PRL_017_544B
OPT.PARABOLIC CONTROL ASSY SINGLE (1)

FIG.544C

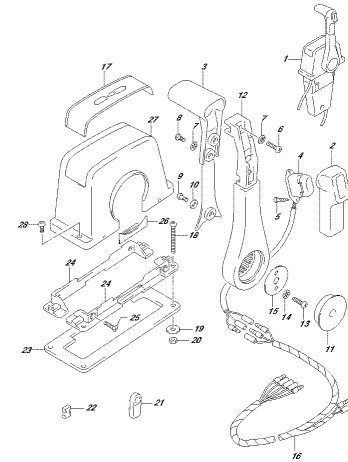


FIG.544C_PRL_017_544C
OPT.PARABOLIC CONTROL ASSY SINGLE (1)

FIG.544D

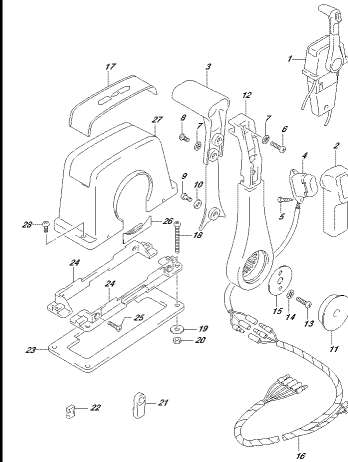


FIG.544D_PRL_017_544D
OPT.PARABOLIC CONTROL ASSY SINGLE (1)

FIG.545A

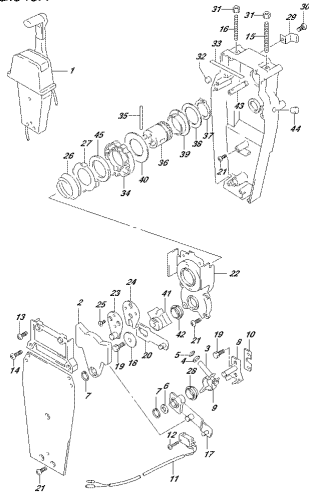


FIG.545A
OPT.ELECTRICAL (MANUAL STARTER)

FIG.545B

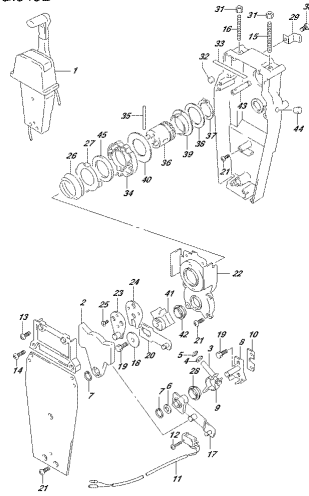


FIG.545B
OPT.ELECTRICAL (MANUAL STARTER)

FIG.545C

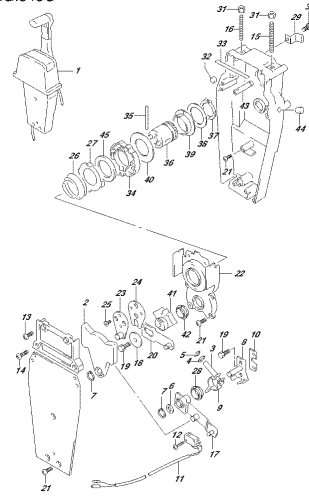


FIG.545C
OPT.ELECTRICAL (MANUAL STARTER)

FIG.545D

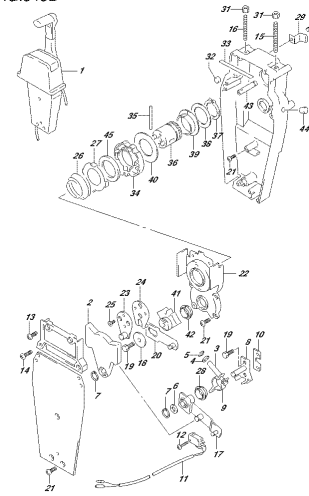


FIG.545D
OPT.ELECTRICAL (MANUAL STARTER)

FIG.553A

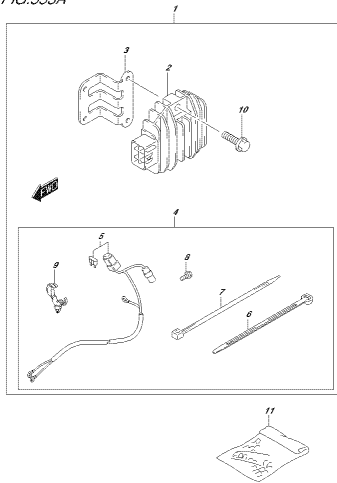


FIG.553A
OPT.ELECTRICAL (MANUAL STARTER)

FIG.553B

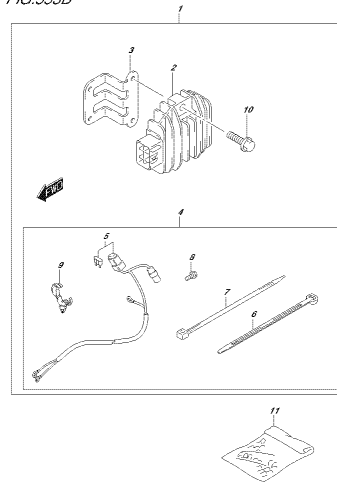


FIG.553B
OPT.ELECTRICAL (MANUAL STARTER)

FIG.553C

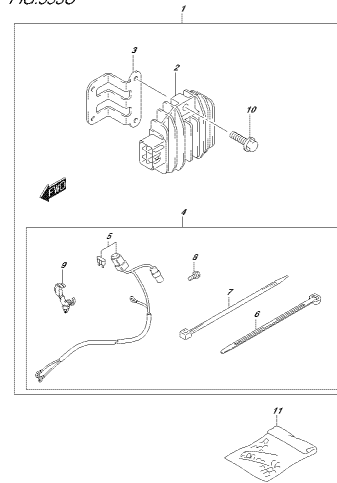


FIG.553C
OPT.ELECTRICAL (MANUAL STARTER)

FIG.561A

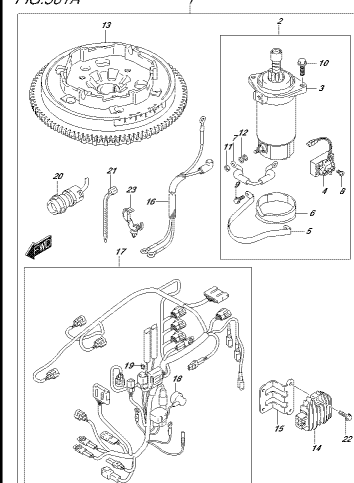


FIG.561A
OPT.STARTING MOTOR (MANUAL STARTER)

FIG.561B

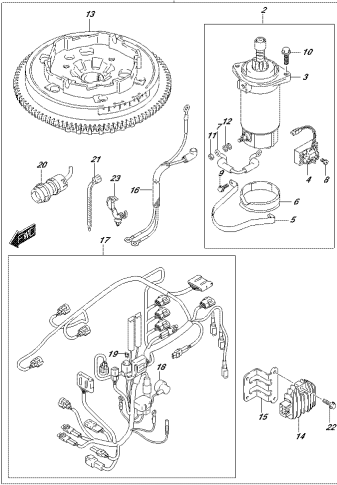


FIG.561B
OPT.3046GLIN

FIG.561C

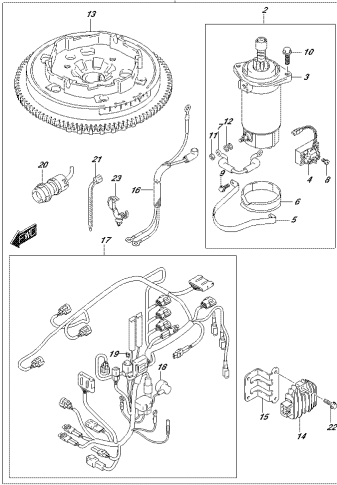


FIG.561C
OPT.3046GLIN

FIG.575A

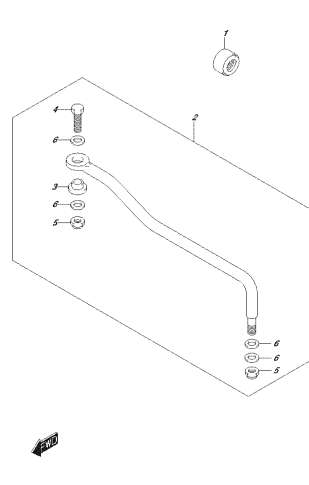


FIG.575A
OPT.3046GLIN

FIG.575B

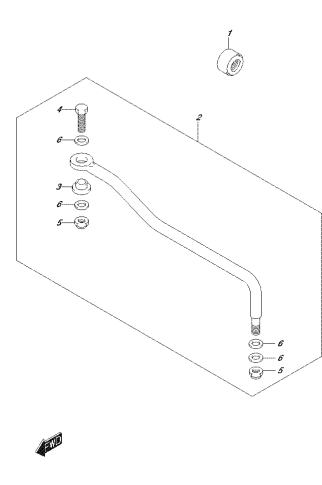


FIG.575B
OPT.3046GLIN

FIG.575C

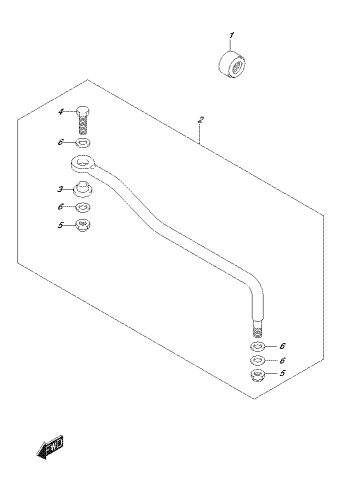


FIG.575C
OPT.3046GLIN

FIG.575D

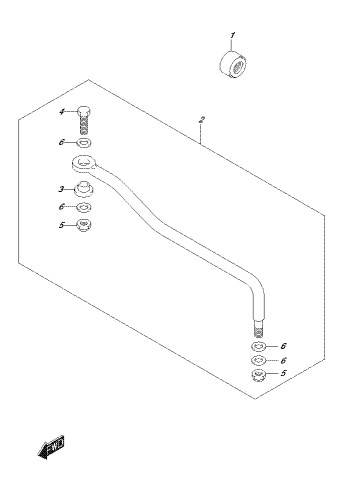


FIG.575D
OPT.3046GLIN

FIG.575E

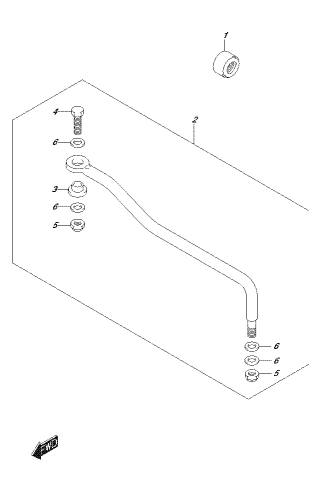


FIG.575E
OPT.3046GLIN

FIG.600A

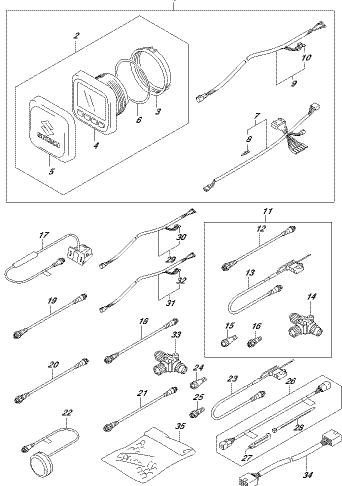


FIG.600A
OPT.3046GLIN

FIG. 600B

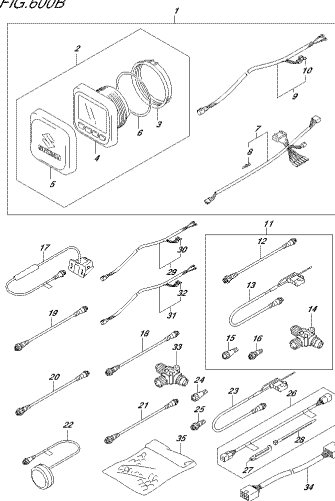


FIG. 600B, P. 11/017, 600B
OPT. ALL IN FUNCTION ENLAGE

FIG. 600C

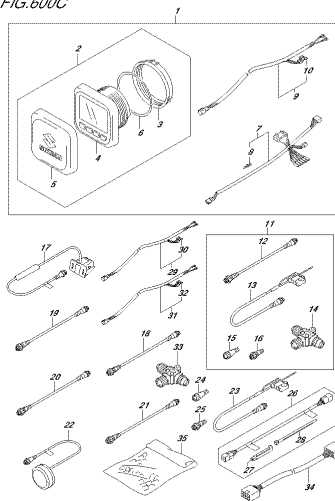


FIG. 600C, P. 11/017, 600C
OPT. ALL IN FUNCTION ENLAGE

FIG. 600D

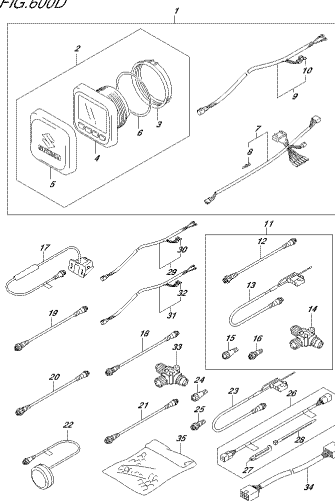
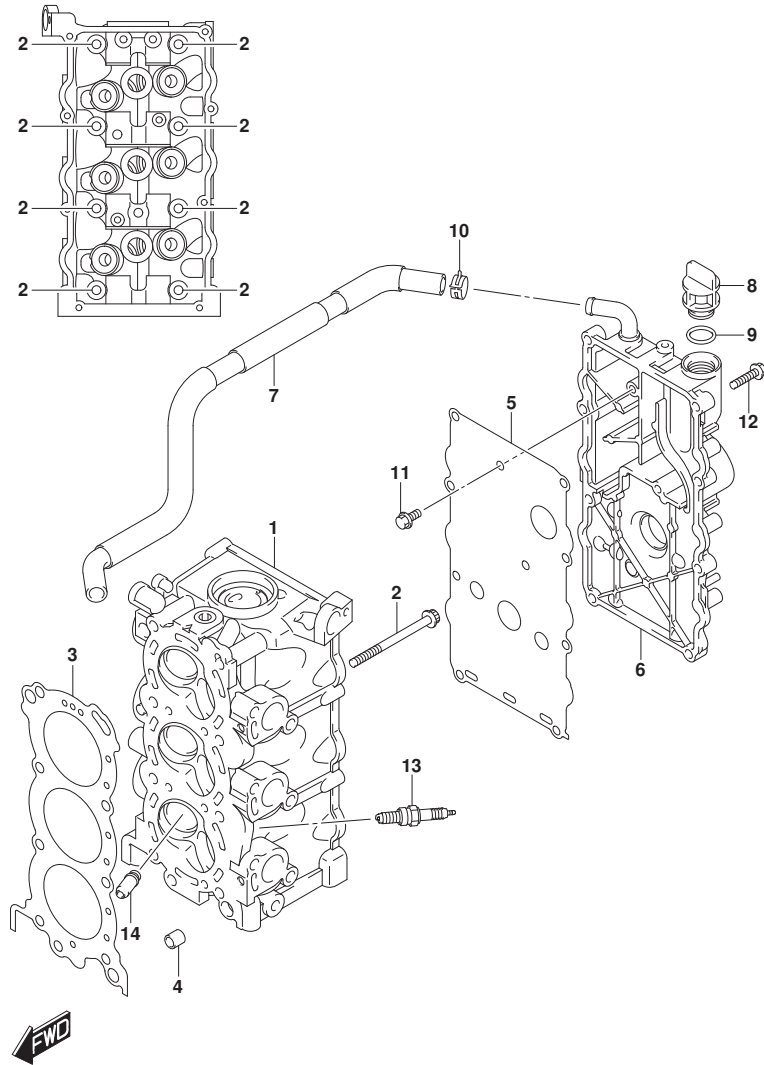


FIG. 600D, P. 11/017, 600D
OPT. ALL IN FUNCTION ENLAGE

FIG.111A



DF25A_30A_P01_017_111A
CYLINDER HEAD

FIG.111A (1-B-2) CYLINDER HEAD

REF NO.	PART NO.	DESCRIPTION	Q'TY	REMARKS
1	11110-94L00	HEAD, CYLINDER	1	
2	11119-94L00	BOLT, CYLINDER HEAD NO.1	8	
3	11141-94L00	GASKET, CYLINDER HEAD	1	
4	04211-11129	PIN	2	
5	11162-94L00	GASKET, CYLINDER HEAD COVER	1	
6	11170-94L00	COVER, CYLINDER HEAD	1	
7	11174-94L00	HOSE, BREATHER	1	
8	11382-93E00	CAP, OIL FILLER	1	
9	09280-17003	O RING (D:3.1,ID:16.8)	1	
10	09401-15414	CLIP	1	
11	01547-0612A	BOLT	2	
12	01550-0625C	BOLT	8	
13	09482-00L04	SPARK PLUG (CPR6EA-9)	3	NGK CPR6EA-9
14	11115-30D70	GUIDE, VALVE (OS:0.3)	6	OPT

DF25A_30A_P01_017

FIG.113A

FIG.113A (1-B-3) CYLINDER BLOCK

REF NO.	PART NO.	DESCRIPTION	Q'TY	REMARKS
1	11301-94L00	BLOCK SET, CYLINDER	1	
2	11112-84400	.PLUG, OIL VENTURI	1	
3	09119-08L01	.BOLT (8X77)	8	
4	01550-06357	.BOLT	8	
5	04211-11129	.PIN	2	
6	16440-11D00	.REGULATOR, ENGINE OIL (6.5K)	1	
7	11291-94L00	HOOK, ENGINE	1	
8	01550-0820C	BOLT	2	

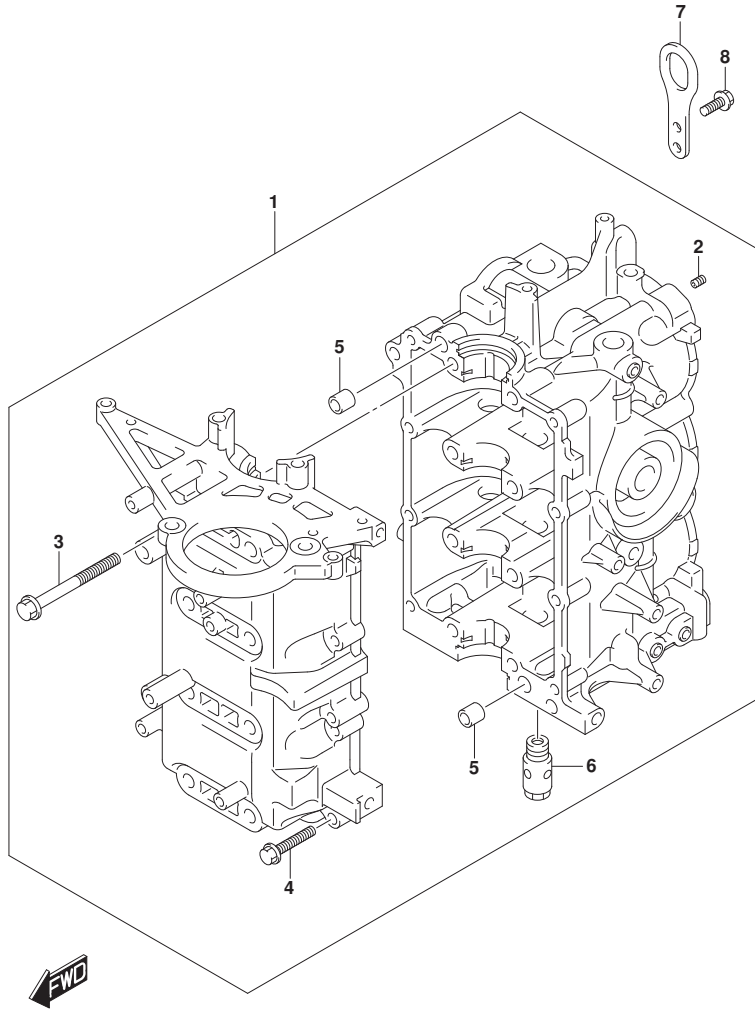


FIG.116A

FIG.116A (1-B-4) CRANKSHAFT

REF NO.	PART NO.	DESCRIPTION	Q'TY	REMARKS
1	12111-89L00-0B0	PISTON	3	
2	12140-89L00	RING SET, PISTON	3	
3	12151-89L00	PIN, PISTON	3	
4	09381-16001	SNAP RING	6	
5	12160-89L11	CONNROD ASSY	3	
6	12163-89L02	.BOLT, CONNECTING ROD	6	
7	12220-94L00	CRANKSHAFT	1	
8	12341-89L10	BEARING, CRANKSHAFT	8	
9	09283-32039	OIL SEAL (32X44X6.5)	2	
10	12100-89L00-050	PISTON SET (OS:0.50)	3	OPT
11	12140-89L00-050	.RING SET, PISTON (OS:0.50)	3	OPT

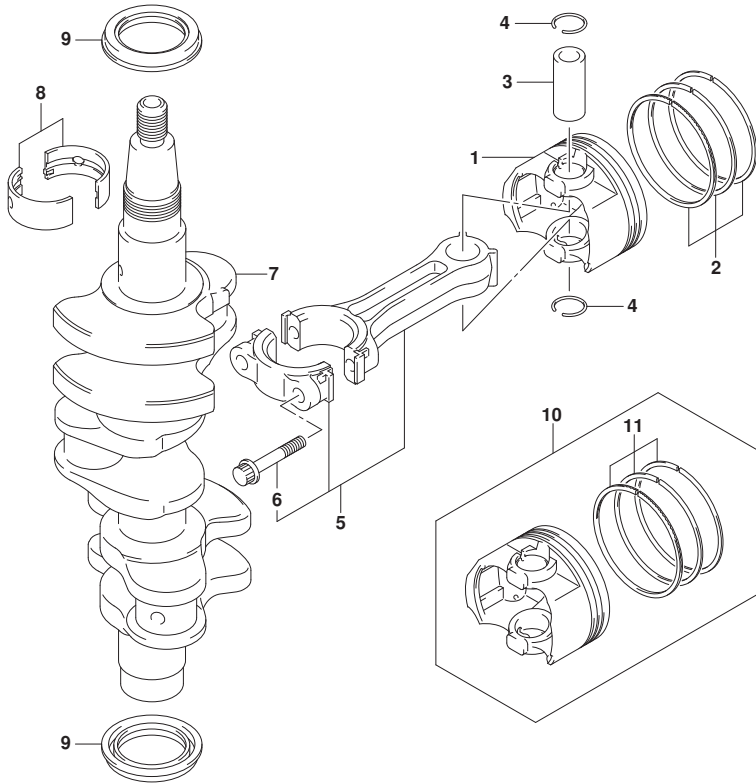


FIG.120A

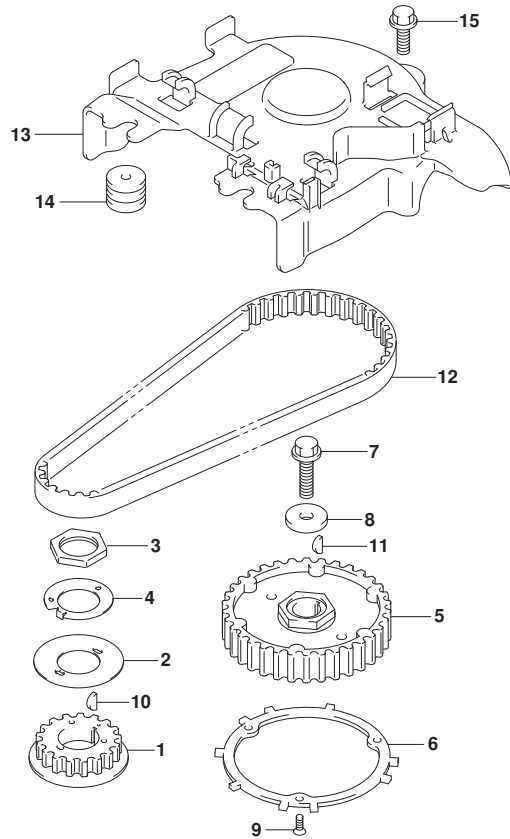


FIG.120A (1-B-5) TIMING BELT

REF NO.	PART NO.	DESCRIPTION	Q'TY	REMARKS
1	12631-94L00	PULLEY, CRANKSHAFT	1	
2	12635-89L00	GUIDE, TIMING BELT	1	
3	12637-89L00	NUT, TIMING PULLEY	1	
4	12638-89L00	WASHER, PULLEY NUT LOCK	1	
5	12741-94L00	PULLEY, CAMSHAFT	1	
6	12744-94L00	PLATE, SENSING	1	
7	09103-08458	BOLT (8X30)	1	
8	09160-09020	WASHER (9X26X4)	1	
9	02122-04127	SCREW	3	
10	08341-31039	KEY	1	
11	08341-31039	KEY	1	
12	12761-94L00	BELT, TIMING	1	
13	12764-94L00	COVER, TIMING BELT	1	
14	09320-05019	CUSHION	2	
15	01550-0620C	BOLT	1	



FIG.121A

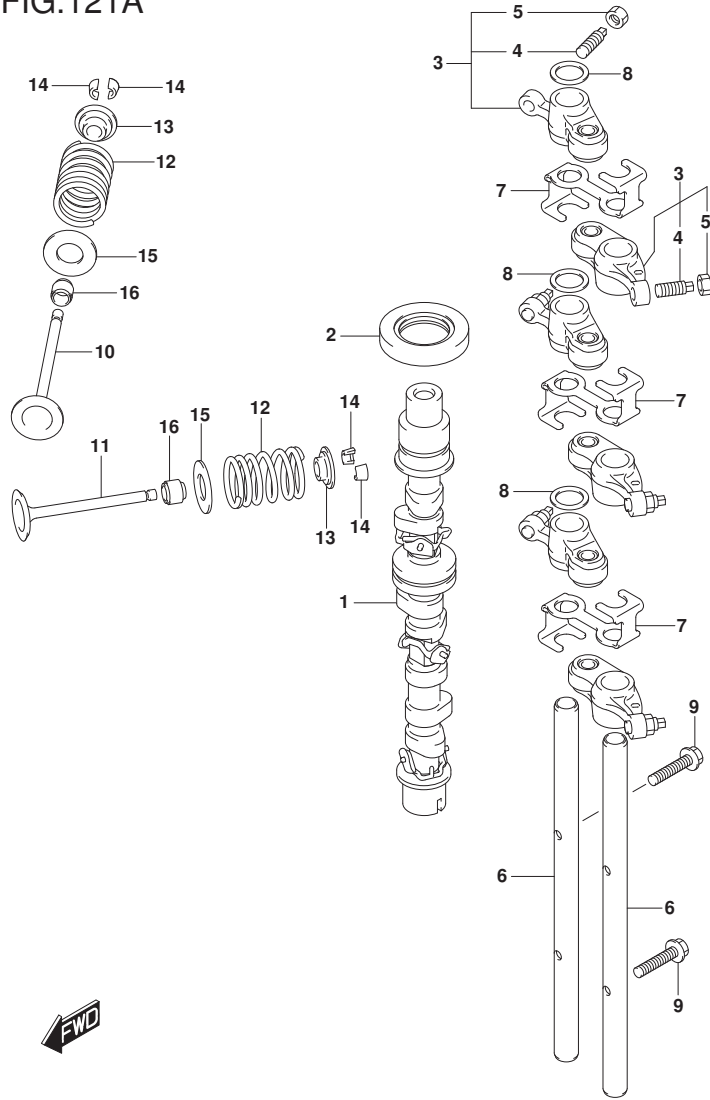


FIG.121A (1-B-6) CAMSHAFT

REF NO.	PART NO.	DESCRIPTION	Q'TY	REMARKS
1	12700-94L01	CAMSHAFT ASSY	1	
2	09283-27022	OIL SEAL (27X46X6)	1	
3	12840-94L00	ARM COMP, ROCKER	6	
4	12842-09J00	.SCREW, TAPPET ADJUSTING	6	
5	12843-27A00	.NUT, TAPPET ADJUSTING	6	
6	12861-94L00	SHAFT, ROCKER ARM	2	
7	12862-94L00	RETAINER, ROCKER ARM	3	
8	09164-12021	WASHER	3	
9	01547-0625A	BOLT	2	
10	12911-94L10	VALVE, INTKE	3	
11	12915-94L60	VALVE, EXHAUST	3	
12	12921-94L00	SPRING, VALVE	6	
13	12931-78G00	RETAINER, VALVE SPRING	6	
14	12932-50MA0	COTTER VALVE	12	
15	12933-71C00	SEAT, VALVE SPRING	6	
16	09289-05008	OIL SEAL (5X10.5X8.4)	6	

FIG.122A

FIG.122A (1-B-7) INTAKE MANIFOLD (DF25A P01)

REF NO.	PART NO.	DESCRIPTION	Q'TY	REMARKS
1	13110-94L00	MANIFOLD, INTAKE	1	
2	13119-94L00	.GASKET, INTAKE MANIFOLD	3	
3	13125-94L00	.GASKET, THROTTLE BODY	1	
4	01421-08357	STUD BOLT	2	
5	01550-08357	BOLT	4	
6	08316-10087	NUT	2	
7	18117-78K00	VALVE, EVAP CSTR PURGE	1	
8	18119-94L00	BRACKET, IAC VALVE	1	
9	09355-70125-600	HOSE (7X12X600)	1	L:600->70
10	18173-94L00	HOSE, IAC VALVE NO.2	1	
11	09401-11423	CLIP	2	
12	01550-0612C	BOLT	2	
13	08316-10067	NUT	1	
14	13800-94L01	SILENCER ASSY	1	
15	13810-94L01	.CLEANER, SILENCER	1	
16	13711-94L00	..ELEMENT ASSY, AIR CLEANER	1	
17	13812-94L01	..CAP, AIR CLEANER	1	
18	13813-94L00	..SEAL, AIR CLEANER	1	
19	13815-94L00	..CAP, DRAIN	2	
20	13816-94L00	..CLIP, CAP	2	
21	13817-94L00	..SCREW	4	
22	13841-94L00	.DUCT, SILENCER	1	
23	13820-94L00	HOLDER, RESTRICTOR	1	
24	13851-94L00	SEAL, AIR INTAKE	1	
25	09116-06215	BOLT (6X30)	4	
26	09169-06075	WASHER	4	
27	09320-09039	CUSHION	5	

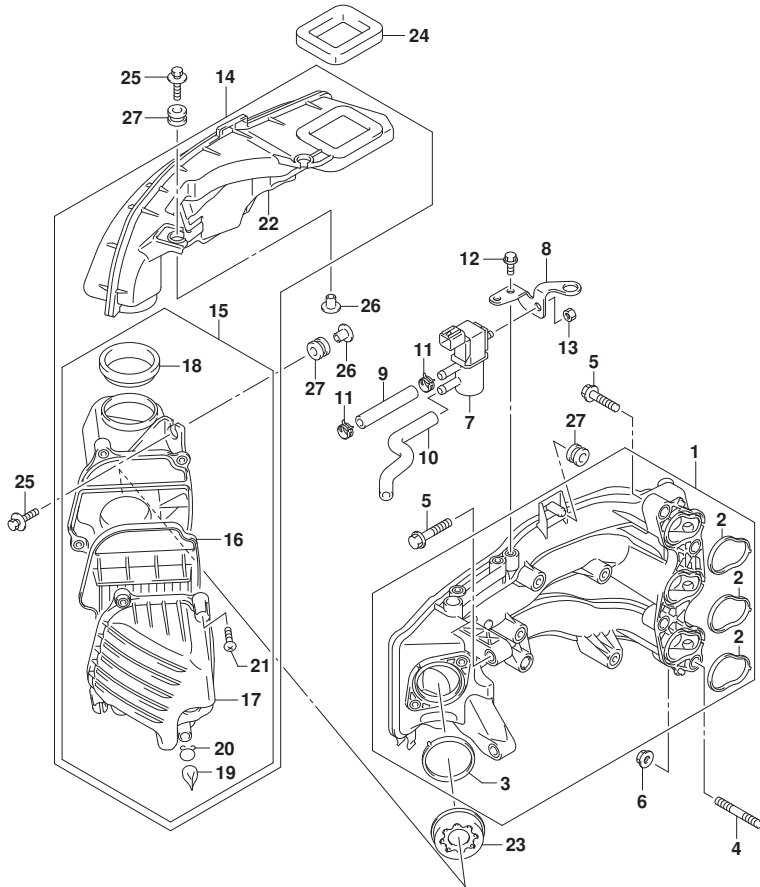


FIG.122B

FIG.122B (1-B-8) INTAKE MANIFOLD (DF25AR P01)

REF NO.	PART NO.	DESCRIPTION	Q'TY	REMARKS
1	13110-94L00	MANIFOLD, INTAKE	1	
2	13119-94L00	.GASKET, INTAKE MANIFOLD	3	
3	13125-94L00	.GASKET, THROTTLE BODY	1	
4	01421-08357	STUD BOLT	2	
5	01550-08357	BOLT	4	
6	08316-10087	NUT	2	
7	18117-78K00	VALVE, EVAP CSTR PURGE	1	
8	18119-94L00	BRACKET, IAC VALVE	1	
9	09355-70125-600	HOSE (7X12X600)	1	L:600->70
10	18173-94L00	HOSE, IAC VALVE NO.2	1	
11	09401-11423	CLIP	2	
12	01550-0612C	BOLT	2	
13	08316-10067	NUT	1	
14	13800-94L01	SILENCER ASSY	1	
15	13810-94L01	.CLEANER, SILENCER	1	
16	13711-94L00	..ELEMENT ASSY, AIR CLEANER	1	
17	13812-94L01	..CAP, AIR CLEANER	1	
18	13813-94L00	..SEAL, AIR CLEANER	1	
19	13815-94L00	..CAP, DRAIN	2	
20	13816-94L00	..CLIP, CAP	2	
21	13817-94L00	..SCREW	4	
22	13841-94L00	.DUCT, SILENCER	1	
23	13820-94L00	HOLDER, RESTRICTOR	1	
24	13851-94L00	SEAL, AIR INTAKE	1	
25	09116-06215	BOLT (6X30)	4	
26	09169-06075	WASHER	4	
27	09320-09039	CUSHION	5	

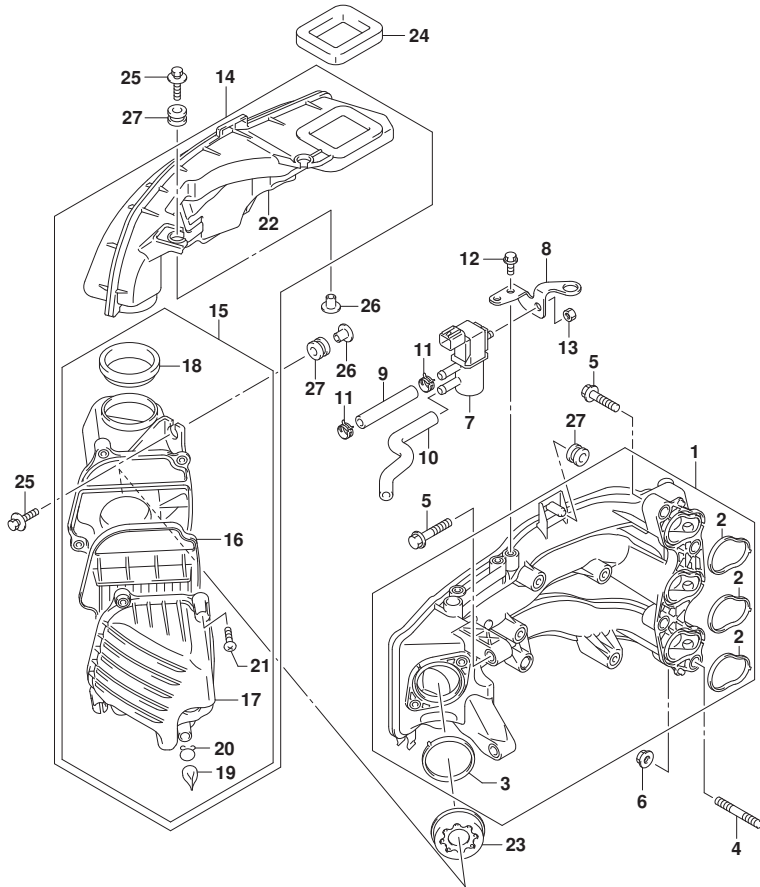


FIG.122C

FIG.122C (1-B-9) INTAKE MANIFOLD (DF25AT P01)

REF NO.	PART NO.	DESCRIPTION	Q'TY	REMARKS
1	13110-94L00	MANIFOLD, INTAKE	1	
2	13119-94L00	.GASKET, INTAKE MANIFOLD	3	
3	13125-94L00	.GASKET, THROTTLE BODY	1	
4	01421-08357	STUD BOLT	2	
5	01550-08357	BOLT	4	
6	08316-10087	NUT	2	
7	18117-78K00	VALVE, EVAP CSTR PURGE	1	
8	18119-94L00	BRACKET, IAC VALVE	1	
9	09355-70125-600	HOSE (7X12X600)	1	L:600->70
10	18173-94L00	HOSE, IAC VALVE NO.2	1	
11	09401-11423	CLIP	2	
12	01550-0612C	BOLT	2	
13	08316-10067	NUT	1	
14	13800-94L01	SILENCER ASSY	1	
15	13810-94L01	.CLEANER, SILENCER	1	
16	13711-94L00	..ELEMENT ASSY, AIR CLEANER	1	
17	13812-94L01	..CAP, AIR CLEANER	1	
18	13813-94L00	..SEAL, AIR CLEANER	1	
19	13815-94L00	..CAP, DRAIN	2	
20	13816-94L00	..CLIP, CAP	2	
21	13817-94L00	..SCREW	4	
22	13841-94L00	.DUCT, SILENCER	1	
23	13820-94L00	HOLDER, RESTRICTOR	1	
24	13851-94L00	SEAL, AIR INTAKE	1	
25	09116-06215	BOLT (6X30)	4	
26	09169-06075	WASHER	4	
27	09320-09039	CUSHION	5	

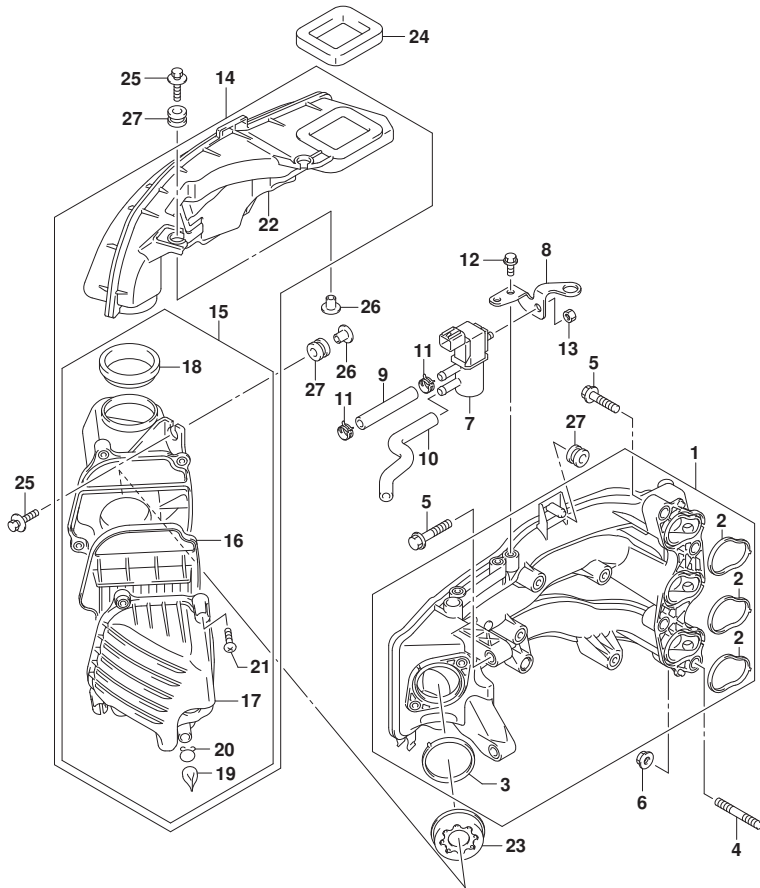


FIG.122D

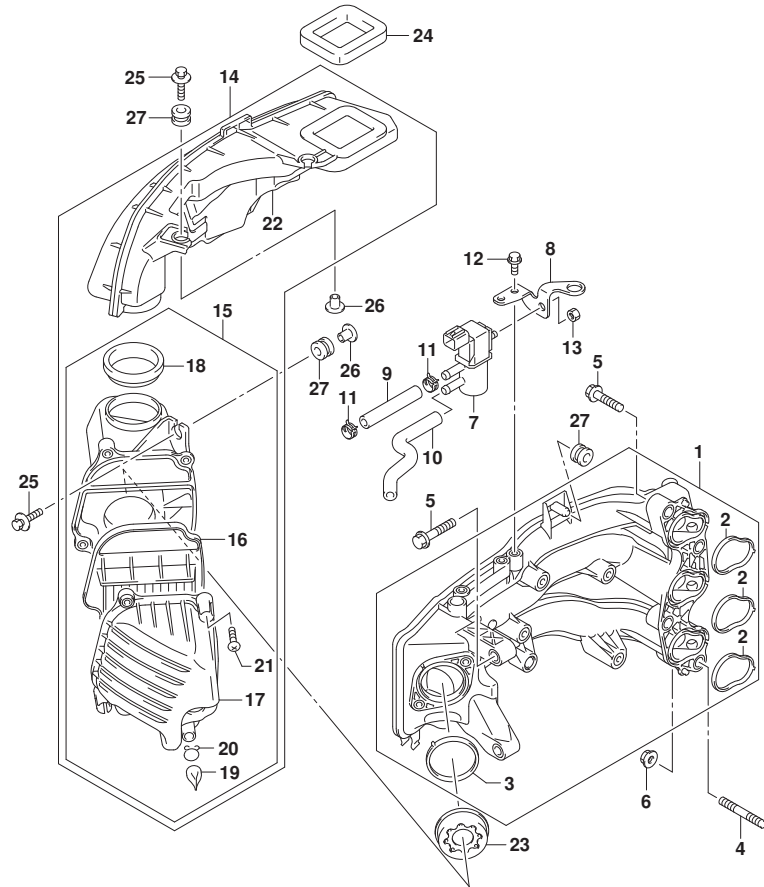


FIG.122D (1-B-10) INTAKE MANIFOLD (DF25ATH P01)

REF NO.	PART NO.	DESCRIPTION	Q'TY	REMARKS
1	13110-94L00	MANIFOLD, INTAKE	1	
2	13119-94L00	.GASKET, INTAKE MANIFOLD	3	
3	13125-94L00	.GASKET, THROTTLE BODY	1	
4	01421-08357	STUD BOLT	2	
5	01550-08357	BOLT	4	
6	08316-10087	NUT	2	
7	18117-78K00	VALVE, EVAP CSTR PURGE	1	
8	18119-94L00	BRACKET, IAC VALVE	1	
9	09355-70125-600	HOSE (7X12X600)	1	L:600->70
10	18173-94L00	HOSE, IAC VALVE NO.2	1	
11	09401-11423	CLIP	2	
12	01550-0612C	BOLT	2	
13	08316-10067	NUT	1	
14	13800-94L01	SILENCER ASSY	1	
15	13810-94L01	.CLEANER, SILENCER	1	
16	13711-94L00	..ELEMENT ASSY, AIR CLEANER	1	
17	13812-94L01	..CAP, AIR CLEANER	1	
18	13813-94L00	..SEAL, AIR CLEANER	1	
19	13815-94L00	..CAP, DRAIN	2	
20	13816-94L00	..CLIP, CAP	2	
21	13817-94L00	..SCREW	4	
22	13841-94L00	.DUCT, SILENCER	1	
23	13820-94L00	HOLDER, RESTRICTOR	1	
24	13851-94L00	SEAL, AIR INTAKE	1	
25	09116-06215	BOLT (6X30)	4	
26	09169-06075	WASHER	4	
27	09320-09039	CUSHION	5	



FIG.122E

FIG.122E (1-B-11) INTAKE MANIFOLD (DF30A P40)

REF NO.	PART NO.	DESCRIPTION	Q'TY	REMARKS
1	13110-94L00	MANIFOLD, INTAKE	1	
2	13119-94L00	.GASKET, INTAKE MANIFOLD	3	
3	13125-94L00	.GASKET, THROTTLE BODY	1	
4	01421-08357	STUD BOLT	2	
5	01550-08357	BOLT	4	
6	08316-10087	NUT	2	
7	18117-78K00	VALVE, EVAP CSTR PURGE	1	
8	18119-94L00	BRACKET, IAC VALVE	1	
9	09355-70125-600	HOSE (7X12X600)	1	L:600->70
10	18173-94L00	HOSE, IAC VALVE NO.2	1	
11	09401-11423	CLIP	2	
12	01550-0612C	BOLT	2	
13	08316-10067	NUT	1	
14	13800-94L01	SILENCER ASSY	1	
15	13810-94L01	.CLEANER, SILENCER	1	
16	13711-94L00	..ELEMENT ASSY, AIR CLEANER	1	
17	13812-94L01	..CAP, AIR CLEANER	1	
18	13813-94L00	..SEAL, AIR CLEANER	1	
19	13815-94L00	..CAP, DRAIN	2	
20	13816-94L00	..CLIP, CAP	2	
21	13817-94L00	..SCREW	4	
22	13841-94L00	.DUCT, SILENCER	1	
23	13832-94L00	SEAL, SILENCER	1	
24	13851-94L00	SEAL, AIR INTAKE	1	
25	09116-06215	BOLT (6X30)	4	
26	09169-06075	WASHER	4	
27	09320-09039	CUSHION	5	

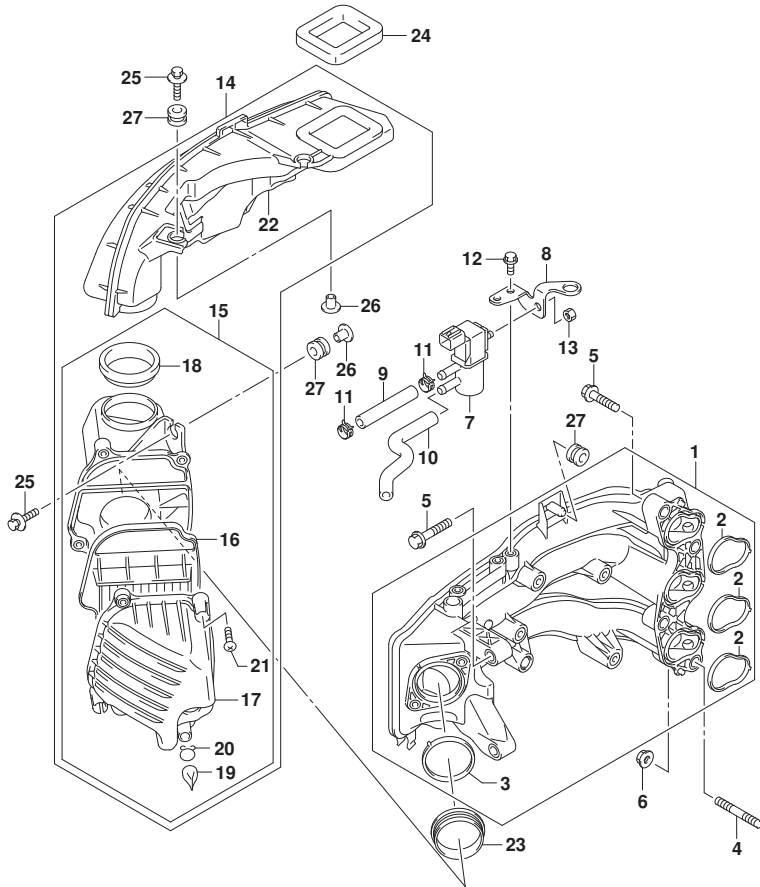


FIG.122F

FIG.122F (1-B-12) INTAKE MANIFOLD (DF30AR P01)

REF NO.	PART NO.	DESCRIPTION	Q'TY	REMARKS
1	13110-94L00	MANIFOLD, INTAKE	1	
2	13119-94L00	.GASKET, INTAKE MANIFOLD	3	
3	13125-94L00	.GASKET, THROTTLE BODY	1	
4	01421-08357	STUD BOLT	2	
5	01550-08357	BOLT	4	
6	08316-10087	NUT	2	
7	18117-78K00	VALVE, EVAP CSTR PURGE	1	
8	18119-94L00	BRACKET, IAC VALVE	1	
9	09355-70125-600	HOSE (7X12X600)	1	L:600->70
10	18173-94L00	HOSE, IAC VALVE NO.2	1	
11	09401-11423	CLIP	2	
12	01550-0612C	BOLT	2	
13	08316-10067	NUT	1	
14	13800-94L01	SILENCER ASSY	1	
15	13810-94L01	.CLEANER, SILENCER	1	
16	13711-94L00	..ELEMENT ASSY, AIR CLEANER	1	
17	13812-94L01	..CAP, AIR CLEANER	1	
18	13813-94L00	..SEAL, AIR CLEANER	1	
19	13815-94L00	..CAP, DRAIN	2	
20	13816-94L00	..CLIP, CAP	2	
21	13817-94L00	..SCREW	4	
22	13841-94L00	.DUCT, SILENCER	1	
23	13832-94L00	SEAL, SILENCER	1	
24	13851-94L00	SEAL, AIR INTAKE	1	
25	09116-06215	BOLT (6X30)	4	
26	09169-06075	WASHER	4	
27	09320-09039	CUSHION	5	

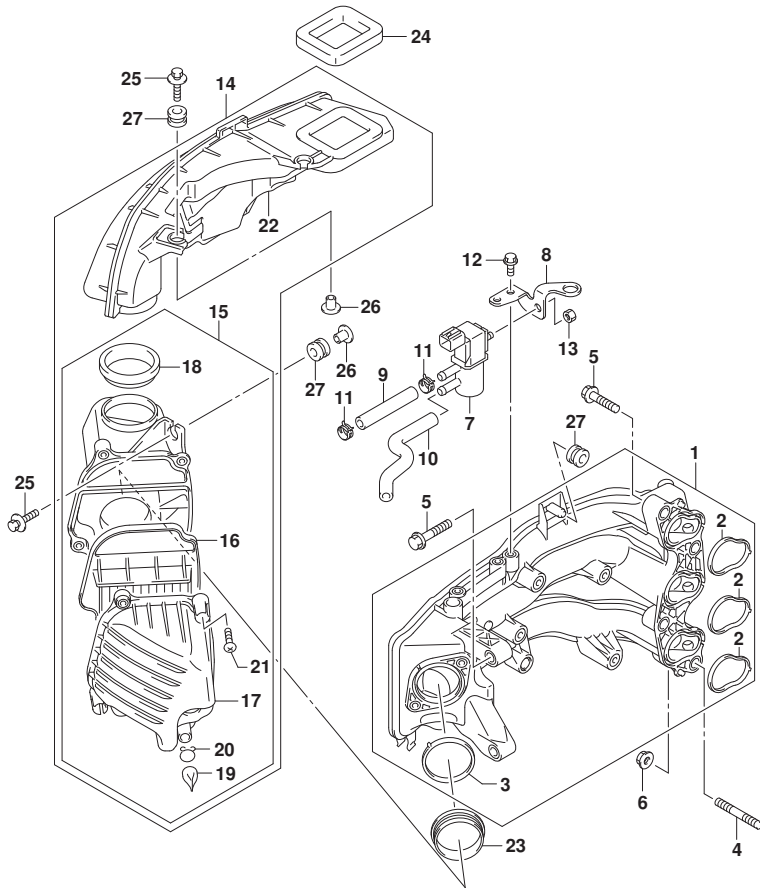


FIG.122G

FIG.122G (1-B-13) INTAKE MANIFOLD (DF30AT P01)

REF NO.	PART NO.	DESCRIPTION	Q'TY	REMARKS
1	13110-94L00	MANIFOLD, INTAKE	1	
2	13119-94L00	.GASKET, INTAKE MANIFOLD	3	
3	13125-94L00	.GASKET, THROTTLE BODY	1	
4	01421-08357	STUD BOLT	2	
5	01550-08357	BOLT	4	
6	08316-10087	NUT	2	
7	18117-78K00	VALVE, EVAP CSTR PURGE	1	
8	18119-94L00	BRACKET, IAC VALVE	1	
9	09355-70125-600	HOSE (7X12X600)	1	L:600->70
10	18173-94L00	HOSE, IAC VALVE NO.2	1	
11	09401-11423	CLIP	2	
12	01550-0612C	BOLT	2	
13	08316-10067	NUT	1	
14	13800-94L01	SILENCER ASSY	1	
15	13810-94L01	.CLEANER, SILENCER	1	
16	13711-94L00	..ELEMENT ASSY, AIR CLEANER	1	
17	13812-94L01	..CAP, AIR CLEANER	1	
18	13813-94L00	..SEAL, AIR CLEANER	1	
19	13815-94L00	..CAP, DRAIN	2	
20	13816-94L00	..CLIP, CAP	2	
21	13817-94L00	..SCREW	4	
22	13841-94L00	.DUCT, SILENCER	1	
23	13832-94L00	SEAL, SILENCER	1	
24	13851-94L00	SEAL, AIR INTAKE	1	
25	09116-06215	BOLT (6X30)	4	
26	09169-06075	WASHER	4	
27	09320-09039	CUSHION	5	

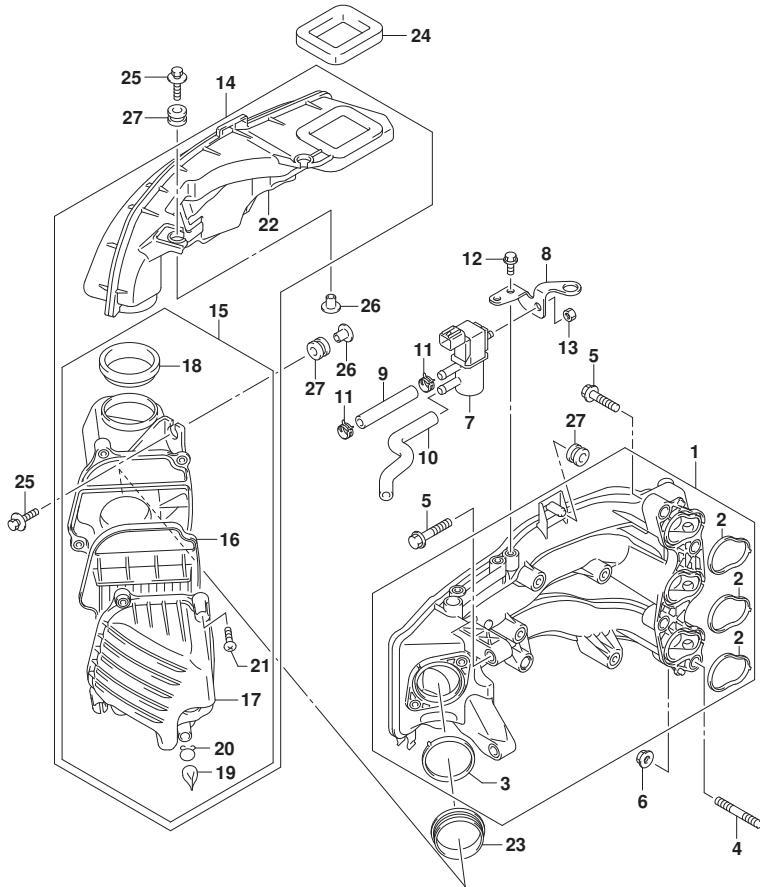


FIG.122H

FIG.122H (1-B-14) INTAKE MANIFOLD (DF30ATH P01)

REF NO.	PART NO.	DESCRIPTION	Q'TY	REMARKS
1	13110-94L00	MANIFOLD, INTAKE	1	
2	13119-94L00	.GASKET, INTAKE MANIFOLD	3	
3	13125-94L00	.GASKET, THROTTLE BODY	1	
4	01421-08357	STUD BOLT	2	
5	01550-08357	BOLT	4	
6	08316-10087	NUT	2	
7	18117-78K00	VALVE, EVAP CSTR PURGE	1	
8	18119-94L00	BRACKET, IAC VALVE	1	
9	09355-70125-600	HOSE (7X12X600)	1	L:600->70
10	18173-94L00	HOSE, IAC VALVE NO.2	1	
11	09401-11423	CLIP	2	
12	01550-0612C	BOLT	2	
13	08316-10067	NUT	1	
14	13800-94L01	SILENCER ASSY	1	
15	13810-94L01	.CLEANER, SILENCER	1	
16	13711-94L00	..ELEMENT ASSY, AIR CLEANER	1	
17	13812-94L01	..CAP, AIR CLEANER	1	
18	13813-94L00	..SEAL, AIR CLEANER	1	
19	13815-94L00	..CAP, DRAIN	2	
20	13816-94L00	..CLIP, CAP	2	
21	13817-94L00	..SCREW	4	
22	13841-94L00	..DUCT, SILENCER	1	
23	13832-94L00	SEAL, SILENCER	1	
24	13851-94L00	SEAL, AIR INTAKE	1	
25	09116-06215	BOLT (6X30)	4	
26	09169-06075	WASHER	4	
27	09320-09039	CUSHION	5	

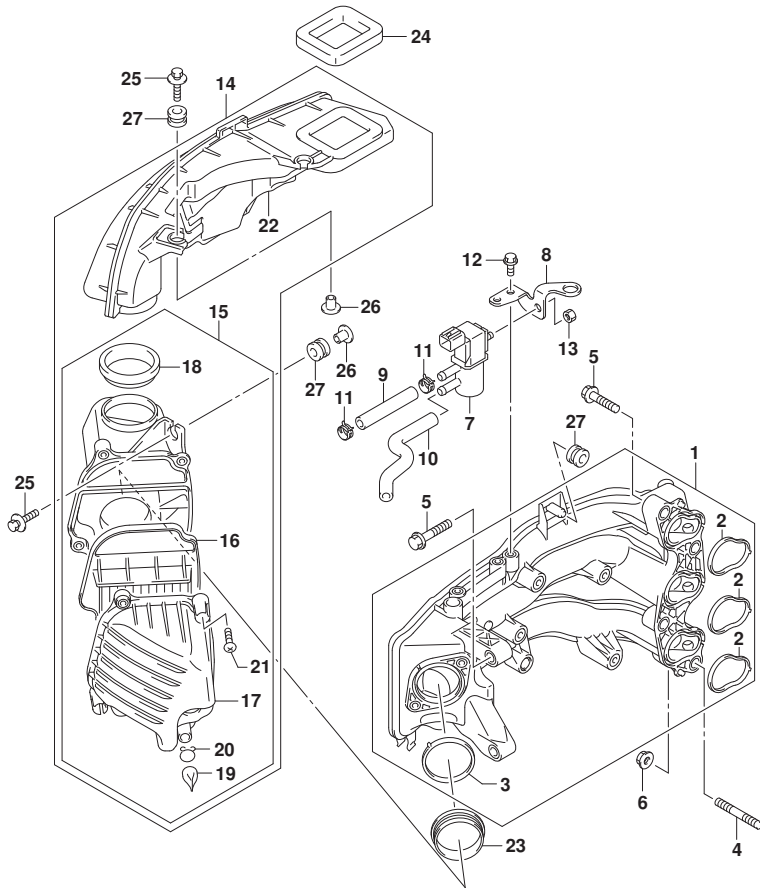


FIG.122J

FIG.122J (1-B-15) INTAKE MANIFOLD (DF30AQ P01)

REF NO.	PART NO.	DESCRIPTION	Q'TY	REMARKS
1	13110-94L00	MANIFOLD, INTAKE	1	
2	13119-94L00	.GASKET, INTAKE MANIFOLD	3	
3	13125-94L00	.GASKET, THROTTLE BODY	1	
4	01421-08357	STUD BOLT	2	
5	01550-08357	BOLT	4	
6	08316-10087	NUT	2	
7	18117-78K00	VALVE, EVAP CSTR PURGE	1	
8	18119-94L00	BRACKET, IAC VALVE	1	
9	09355-70125-600	HOSE (7X12X600)	1	L:600->70
10	18173-94L00	HOSE, IAC VALVE NO.2	1	
11	09401-11423	CLIP	2	
12	01550-0612C	BOLT	2	
13	08316-10067	NUT	1	
14	13800-94L01	SILENCER ASSY	1	
15	13810-94L01	.CLEANER, SILENCER	1	
16	13711-94L00	..ELEMENT ASSY, AIR CLEANER	1	
17	13812-94L01	..CAP, AIR CLEANER	1	
18	13813-94L00	..SEAL, AIR CLEANER	1	
19	13815-94L00	..CAP, DRAIN	2	
20	13816-94L00	..CLIP, CAP	2	
21	13817-94L00	..SCREW	4	
22	13841-94L00	.DUCT, SILENCER	1	
23	13832-94L00	SEAL, SILENCER	1	
24	13851-94L00	SEAL, AIR INTAKE	1	
25	09116-06215	BOLT (6X30)	4	
26	09169-06075	WASHER	4	
27	09320-09039	CUSHION	5	

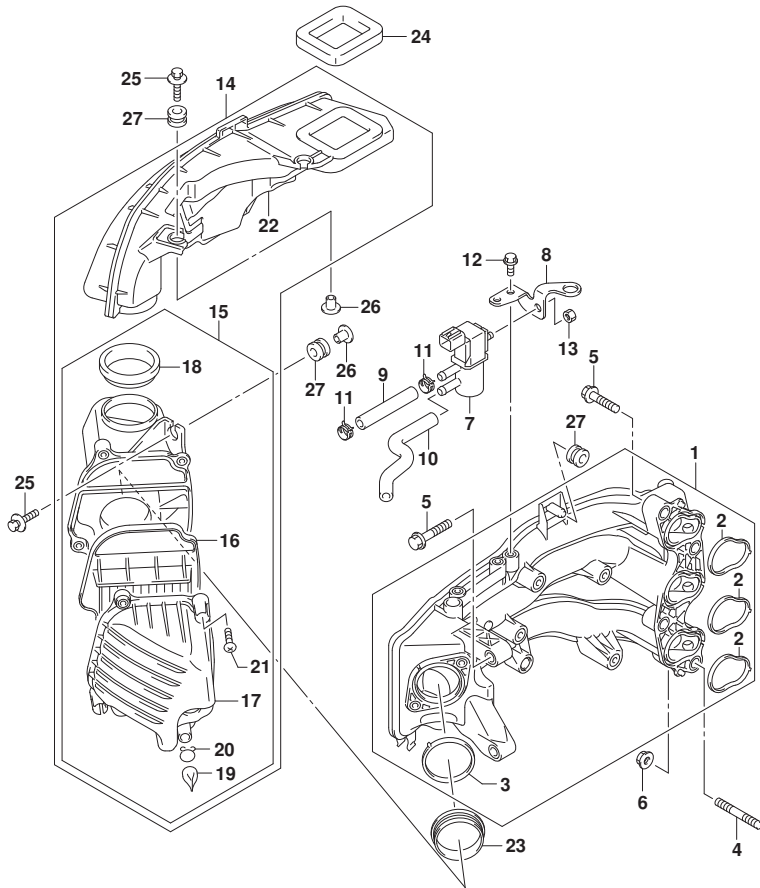


FIG.139A

FIG.139A (1-C-2) EXHAUST MANIFOLD

REF NO.	PART NO.	DESCRIPTION	Q'TY	REMARKS
1	14110-94L00	MANIFOLD, EXHAUST	1	
2	14151-94L00	GASKET, EXHAUST MANIFOLD	1	
3	01550-08407	BOLT	2	
4	09116-08152	BOLT (8X35)	2	
5	01550-08707	BOLT	6	
6	55321-87J01	ANODE, PROTECTION	1	
7	11261-93J00	COVER, PROTECTION ANODE	1	
8	09103-06281	BOLT (6X14)	1	
9	09280-22019	O RING (D:1.9,ID:21.8)	1	
10	01550-0820C	BOLT	1	

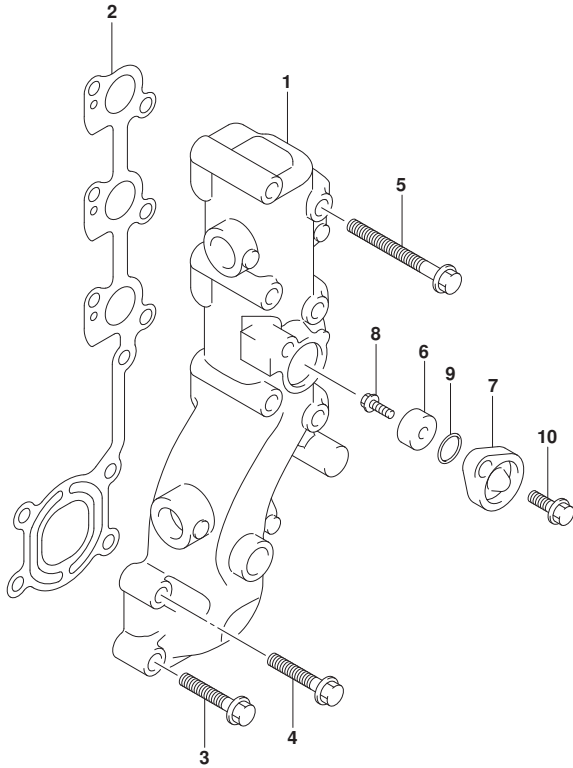


FIG.144A

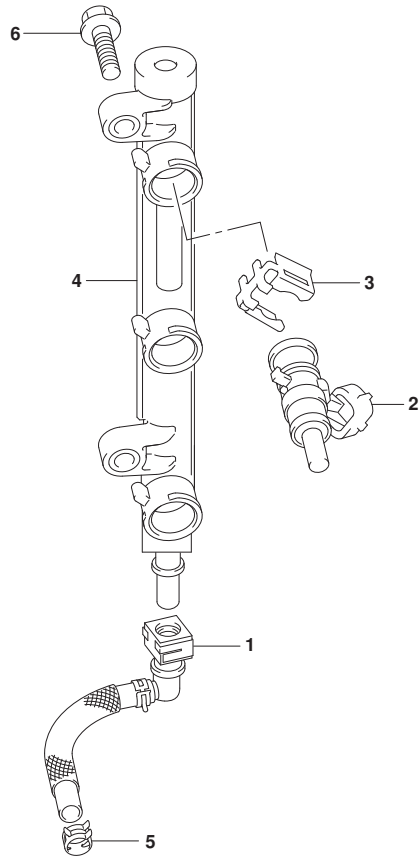


FIG.144A (1-C-3) FUEL INJECTOR

REF NO.	PART NO.	DESCRIPTION	Q'TY	REMARKS
1	15681-94L00	HOSE, FUEL (PUMP TO DLVY)	1	
2	15710-82M00	INJECTOR ASSY, FUEL	3	
3	15715-82M00	CLIP, FUEL INJECTOR	3	
4	15750-94L00	PIPE, DELIVERY	1	
5	09401-11425	CLIP	1	
6	01550-0625C	BOLT	2	



FIG.146A

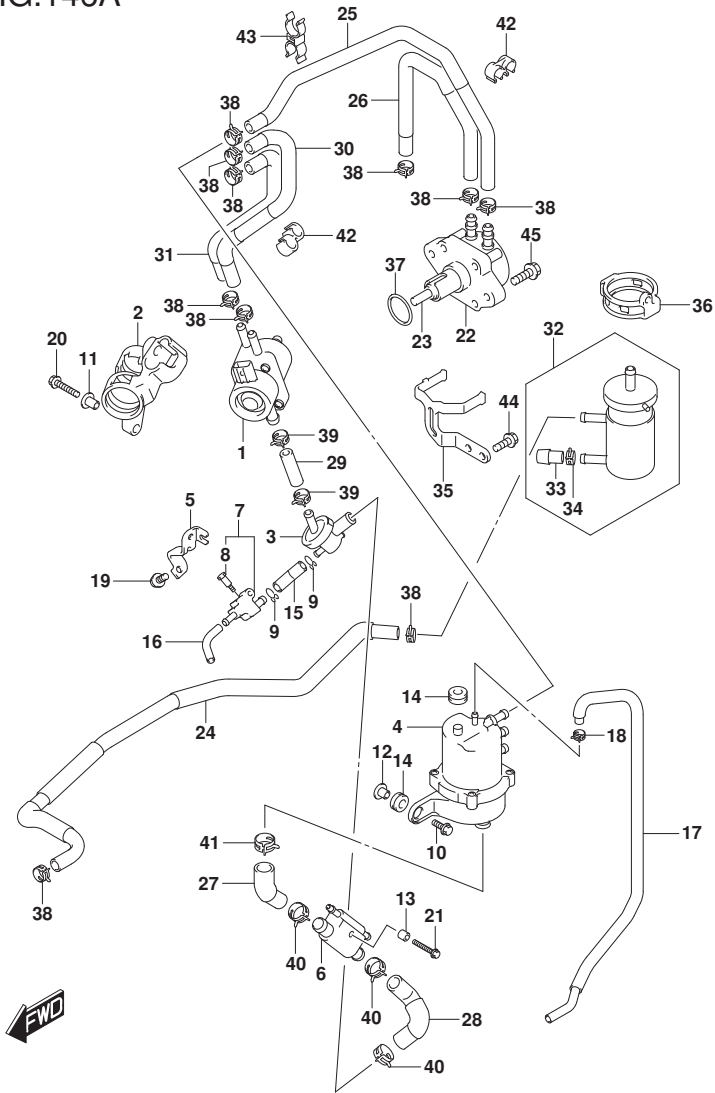


FIG.146A (1-C-4) FUEL PUMP (DF25A P01)

REF NO.	PART NO.	DESCRIPTION	Q'TY	REMARKS
1	15200-94L10	PUMP ASSY, FUEL (H)	1	
2	15217-94L00	CUSHION, FUEL PUMP (H)	1	
3	15410-94L00	FILTER, FUEL	1	
4	15600-94L00	SEPARATOR ASSY, FUEL VAPOR	1	
5	15674-94L00	BRACKET, FUEL DRAIN	1	
6	15770-94L00	COOLER, FUEL	1	
7	15820-94L00	BODY, DRAIN	1	
8	15629-89L00	.SCREW, FUEL DRAIN	1	
9	59412-91J00	CLIP, FUEL HOSE	2	
10	09116-06517	BOLT (6X25)	2	
11	09169-06075	WASHER	1	
12	09169-06062	WASHER	2	
13	09180-06230	SPACER (6.2X12.6X12.5)	1	
14	09320-09052	CUSHION	3	
15	09343-50L01-040	HOSE	1	
16	09344-55001-070	HOSE (5.5X9X70)	1	
17	15662-94L00	HOSE, EVAPORATION	1	
18	09401-08412	CLIP	1	
19	01550-0616C	BOLT	1	
20	01550-0630C	BOLT	1	
21	01550-06457	BOLT	1	
22	15100-94L00	PUMP ASSY, FUEL (L)	1	
23	15131-94L00	ROD, FUEL PUMP	1	
24	15191-94L00	HOSE, FUEL (CONN TO FILTER)	1	
25	15192-94L00	HOSE, FUEL (PUMP TO SEPARATOR)	1	
26	15193-94L00	HOSE, FUEL (FILTER TO PUMP)	1	
27	15194-94L00	HOSE, FUEL (SEPARATOR TO COOLER)	1	
28	15194-94L10	HOSE, FUEL (COOLER TO 3WAY)	1	
29	15194-94L20	HOSE, FUEL (3WAY TO PUMP)	1	
30	15194-94L30	HOSE, FUEL (PUMP(H) TO SEP1)	1	
31	15194-94L40	HOSE, FUEL (PUMP(H) TO SEP2)	1	

FIG.146A

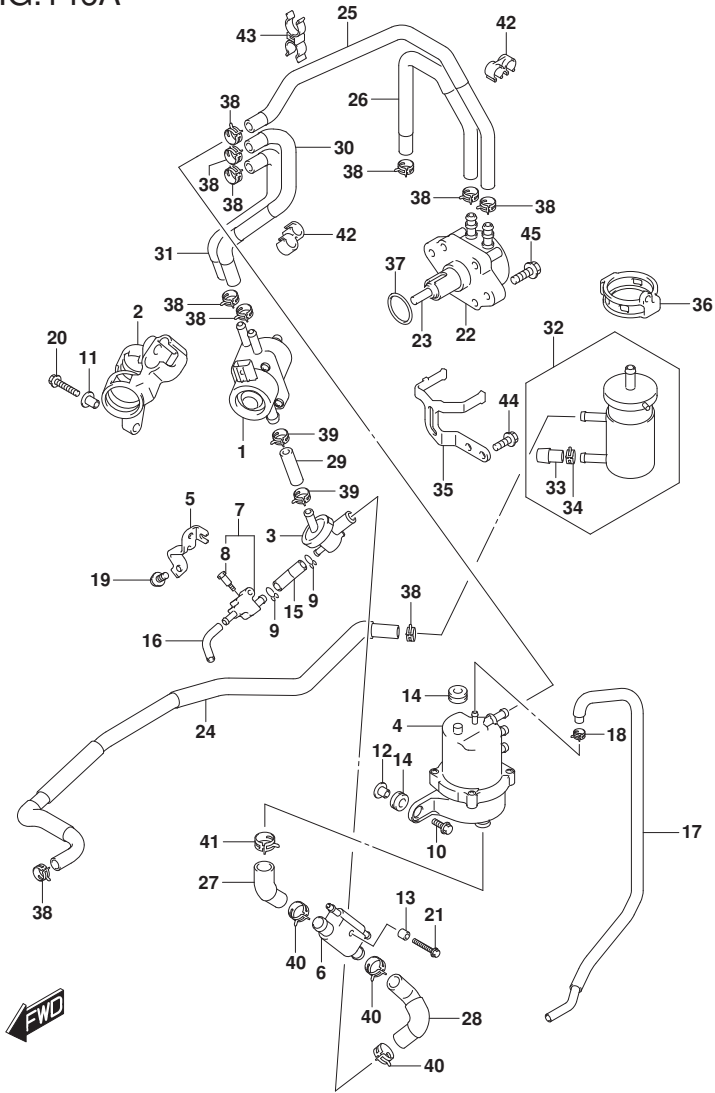


FIG.146A (1-C-5) FUEL PUMP (DF25A P01)

REF NO.	PART NO.	DESCRIPTION	Q'TY	REMARKS
32	15410-87L00	FILTER, FUEL	1	
33	15419-87J00	.CAP, FUEL FILTER	1	
34	09401-11423	.CLIP	1	
35	15421-94L00	BRACKET, FUEL FILTER	1	
36	15422-94L00	CLAMP, FUEL FILTER	1	
37	09280-26005	O RING (D:2.4,ID:26.2)	1	
38	09401-11423	CLIP	10	
39	09401-13423	CLIP	2	
40	09401-18414	CLIP	3	
41	09401-20410	CLIP	1	
42	09408-00043	CLAMP	2	
43	09408-00233	CLAMP	1	
44	01550-0616C	BOLT	2	
45	01550-0625C	BOLT	2	

FIG.146B

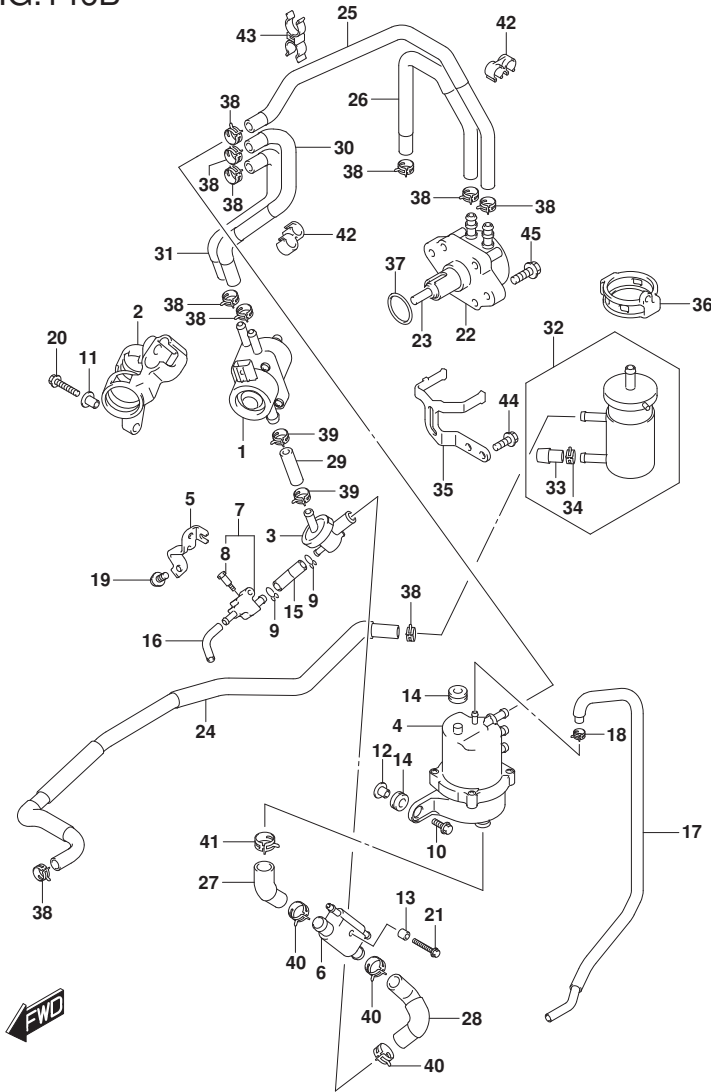


FIG.146B (1-C-6) FUEL PUMP (DF25AR P01)

REF NO.	PART NO.	DESCRIPTION	Q'TY	REMARKS
1	15200-94L10	PUMP ASSY, FUEL (H)	1	
2	15217-94L00	CUSHION, FUEL PUMP (H)	1	
3	15410-94L00	FILTER, FUEL	1	
4	15600-94L00	SEPARATOR ASSY, FUEL VAPOR	1	
5	15674-94L00	BRACKET, FUEL DRAIN	1	
6	15770-94L00	COOLER, FUEL	1	
7	15820-94L00	BODY, DRAIN	1	
8	15629-89L00	.SCREW, FUEL DRAIN	1	
9	59412-91J00	CLIP, FUEL HOSE	2	
10	09116-06517	BOLT (6X25)	2	
11	09169-06075	WASHER	1	
12	09169-06062	WASHER	2	
13	09180-06230	SPACER (6.2X12.6X12.5)	1	
14	09320-09052	CUSHION	3	
15	09343-50L01-040	HOSE	1	
16	09344-55001-070	HOSE (5.5X9X70)	1	
17	15662-94L00	HOSE, EVAPORATION	1	
18	09401-08412	CLIP	1	
19	01550-0616C	BOLT	1	
20	01550-0630C	BOLT	1	
21	01550-06457	BOLT	1	
22	15100-94L00	PUMP ASSY, FUEL (L)	1	
23	15131-94L00	ROD, FUEL PUMP	1	
24	15191-94L00	HOSE, FUEL (CONN TO FILTER)	1	
25	15192-94L00	HOSE, FUEL (PUMP TO SEPARATOR)	1	
26	15193-94L00	HOSE, FUEL (FILTER TO PUMP)	1	
27	15194-94L00	HOSE, FUEL (SEPARATOR TO COOLER)	1	
28	15194-94L10	HOSE, FUEL (COOLER TO 3WAY)	1	
29	15194-94L20	HOSE, FUEL (3WAY TO PUMP)	1	
30	15194-94L30	HOSE, FUEL (PUMP(H) TO SEP1)	1	
31	15194-94L40	HOSE, FUEL (PUMP(H) TO SEP2)	1	

FIG.146B

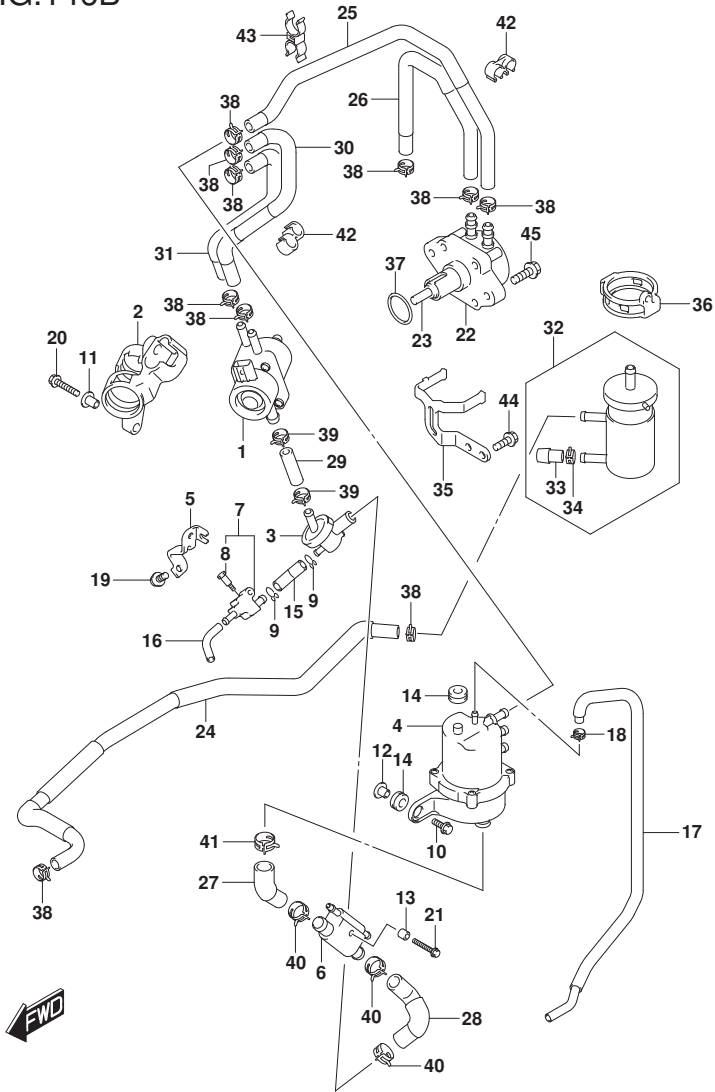


FIG.146B (1-C-7) FUEL PUMP (DF25AR P01)

REF NO.	PART NO.	DESCRIPTION	Q'TY	REMARKS
32	15410-87L00	FILTER, FUEL	1	
33	15419-87J00	.CAP, FUEL FILTER	1	
34	09401-11423	.CLIP	1	
35	15421-94L00	BRACKET, FUEL FILTER	1	
36	15422-94L00	CLAMP, FUEL FILTER	1	
37	09280-26005	O RING (D:2.4,ID:26.2)	1	
38	09401-11423	CLIP	10	
39	09401-13423	CLIP	2	
40	09401-18414	CLIP	3	
41	09401-20410	CLIP	1	
42	09408-00043	CLAMP	2	
43	09408-00233	CLAMP	1	
44	01550-0616C	BOLT	2	
45	01550-0625C	BOLT	2	

FIG.146C

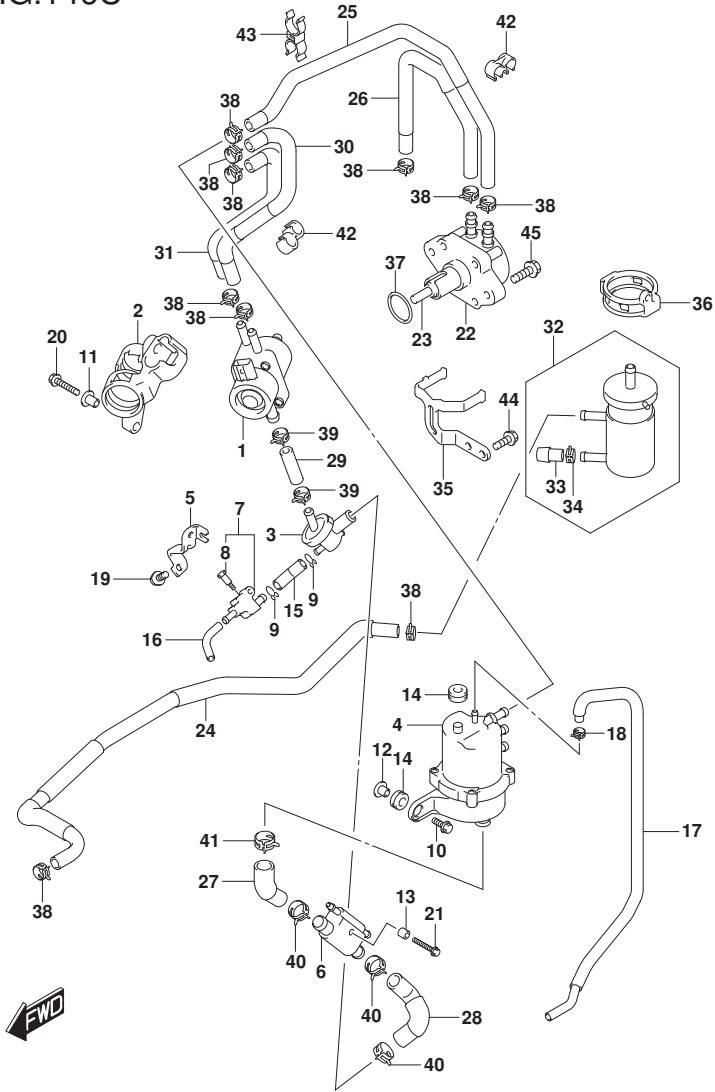


FIG.146C (1-C-8) FUEL PUMP (DF25AT P01)

REF NO.	PART NO.	DESCRIPTION	Q'TY	REMARKS
1	15200-94L10	PUMP ASSY, FUEL (H)	1	
2	15217-94L00	CUSHION, FUEL PUMP (H)	1	
3	15410-94L00	FILTER, FUEL	1	
4	15600-94L00	SEPARATOR ASSY, FUEL VAPOR	1	
5	15674-94L00	BRACKET, FUEL DRAIN	1	
6	15770-94L00	COOLER, FUEL	1	
7	15820-94L00	BODY, DRAIN	1	
8	15629-89L00	.SCREW, FUEL DRAIN	1	
9	59412-91J00	CLIP, FUEL HOSE	2	
10	09116-06517	BOLT (6X25)	2	
11	09169-06075	WASHER	1	
12	09169-06062	WASHER	2	
13	09180-06230	SPACER (6.2X12.6X12.5)	1	
14	09320-09052	CUSHION	3	
15	09343-50L01-040	HOSE	1	
16	09344-55001-070	HOSE (5.5X9X70)	1	
17	15662-94L00	HOSE, EVAPORATION	1	
18	09401-08412	CLIP	1	
19	01550-0616C	BOLT	1	
20	01550-0630C	BOLT	1	
21	01550-06457	BOLT	1	
22	15100-94L00	PUMP ASSY, FUEL (L)	1	
23	15131-94L00	ROD, FUEL PUMP	1	
24	15191-94L00	HOSE, FUEL (CONN TO FILTER)	1	
25	15192-94L00	HOSE, FUEL (PUMP TO SEPARATOR)	1	
26	15193-94L00	HOSE, FUEL (FILTER TO PUMP)	1	
27	15194-94L00	HOSE, FUEL (SEPARATOR TO COOLER)	1	
28	15194-94L10	HOSE, FUEL (COOLER TO 3WAY)	1	
29	15194-94L20	HOSE, FUEL (3WAY TO PUMP)	1	
30	15194-94L30	HOSE, FUEL (PUMP(H) TO SEP1)	1	
31	15194-94L40	HOSE, FUEL (PUMP(H) TO SEP2)	1	

FIG.146C

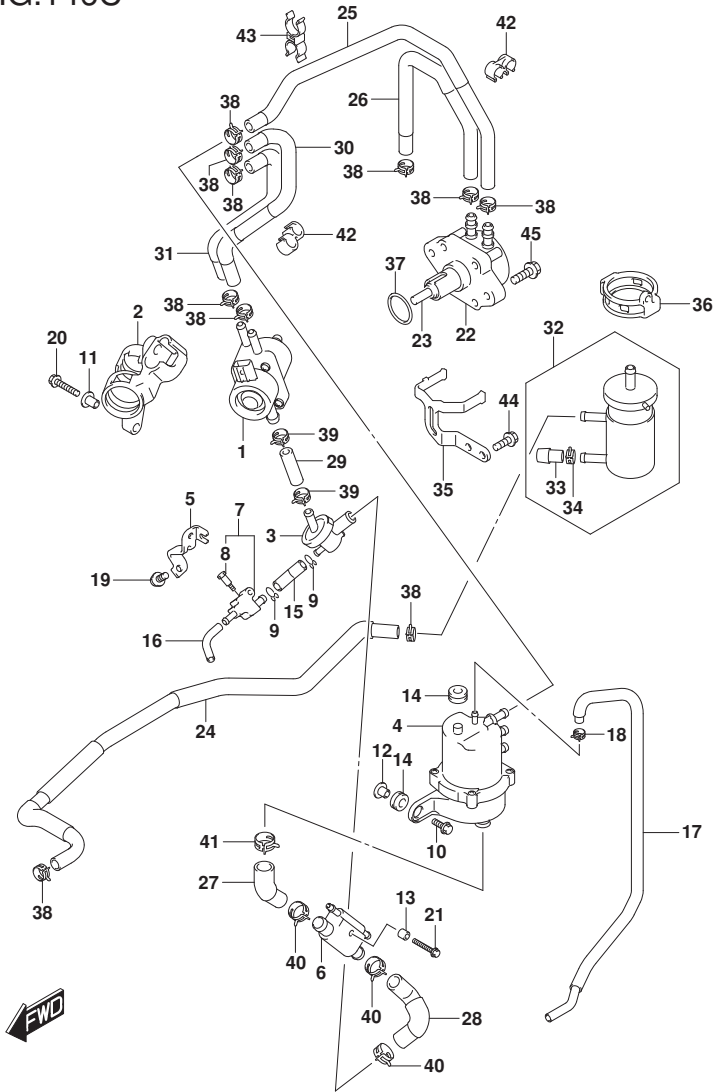


FIG.146C (1-C-9) FUEL PUMP (DF25AT P01)

REF NO.	PART NO.	DESCRIPTION	Q'TY	REMARKS
32	15410-87L00	FILTER, FUEL	1	
33	15419-87J00	.CAP, FUEL FILTER	1	
34	09401-11423	.CLIP	1	
35	15421-94L00	BRACKET, FUEL FILTER	1	
36	15422-94L00	CLAMP, FUEL FILTER	1	
37	09280-26005	O RING (D:2.4,ID:26.2)	1	
38	09401-11423	CLIP	10	
39	09401-13423	CLIP	2	
40	09401-18414	CLIP	3	
41	09401-20410	CLIP	1	
42	09408-00043	CLAMP	2	
43	09408-00233	CLAMP	1	
44	01550-0616C	BOLT	2	
45	01550-0625C	BOLT	2	

FIG.146D

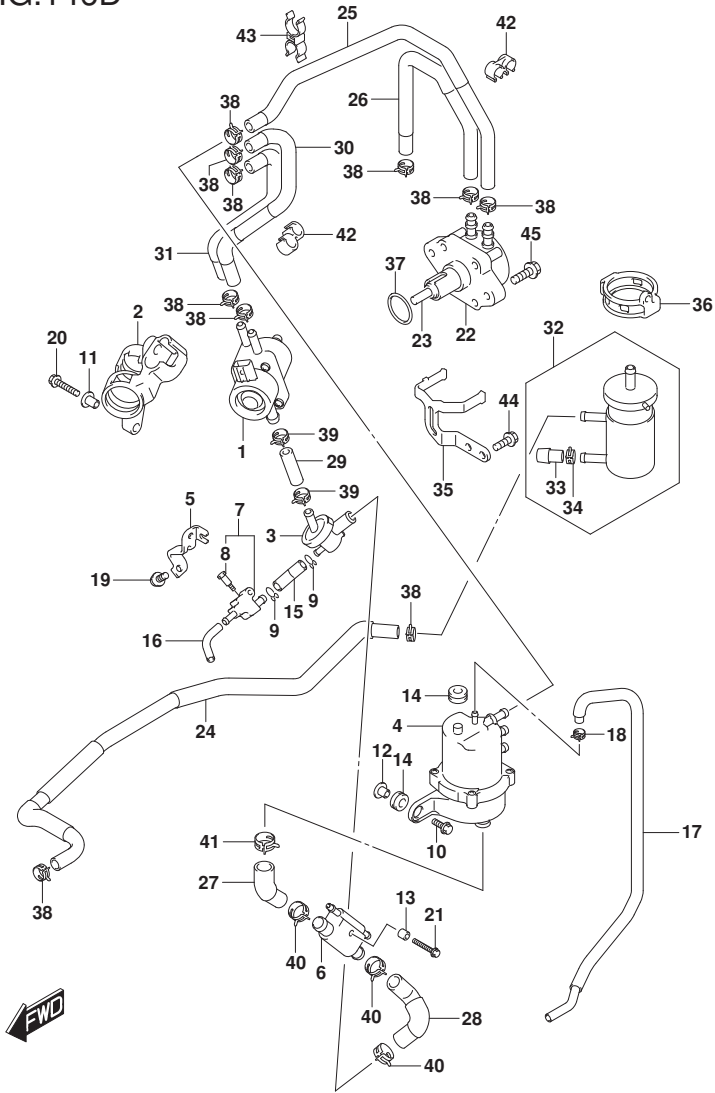


FIG.146D (1-C-10) FUEL PUMP (DF25ATH P01)

REF NO.	PART NO.	DESCRIPTION	Q'TY	REMARKS
1	15200-94L10	PUMP ASSY, FUEL (H)	1	
2	15217-94L00	CUSHION, FUEL PUMP (H)	1	
3	15410-94L00	FILTER, FUEL	1	
4	15600-94L00	SEPARATOR ASSY, FUEL VAPOR	1	
5	15674-94L00	BRACKET, FUEL DRAIN	1	
6	15770-94L00	COOLER, FUEL	1	
7	15820-94L00	BODY, DRAIN	1	
8	15629-89L00	.SCREW, FUEL DRAIN	1	
9	59412-91J00	CLIP, FUEL HOSE	2	
10	09116-06517	BOLT (6X25)	2	
11	09169-06075	WASHER	1	
12	09169-06062	WASHER	2	
13	09180-06230	SPACER (6.2X12.6X12.5)	1	
14	09320-09052	CUSHION	3	
15	09343-50L01-040	HOSE	1	
16	09344-55001-070	HOSE (5.5X9X70)	1	
17	15662-94L00	HOSE, EVAPORATION	1	
18	09401-08412	CLIP	1	
19	01550-0616C	BOLT	1	
20	01550-0630C	BOLT	1	
21	01550-06457	BOLT	1	
22	15100-94L00	PUMP ASSY, FUEL (L)	1	
23	15131-94L00	ROD, FUEL PUMP	1	
24	15191-94L00	HOSE, FUEL (CONN TO FILTER)	1	
25	15192-94L00	HOSE, FUEL (PUMP TO SEPARATOR)	1	
26	15193-94L00	HOSE, FUEL (FILTER TO PUMP)	1	
27	15194-94L00	HOSE, FUEL (SEPARATOR TO COOLER)	1	
28	15194-94L10	HOSE, FUEL (COOLER TO 3WAY)	1	
29	15194-94L20	HOSE, FUEL (3WAY TO PUMP)	1	
30	15194-94L30	HOSE, FUEL (PUMP(H) TO SEP1)	1	
31	15194-94L40	HOSE, FUEL (PUMP(H) TO SEP2)	1	

FIG.146D

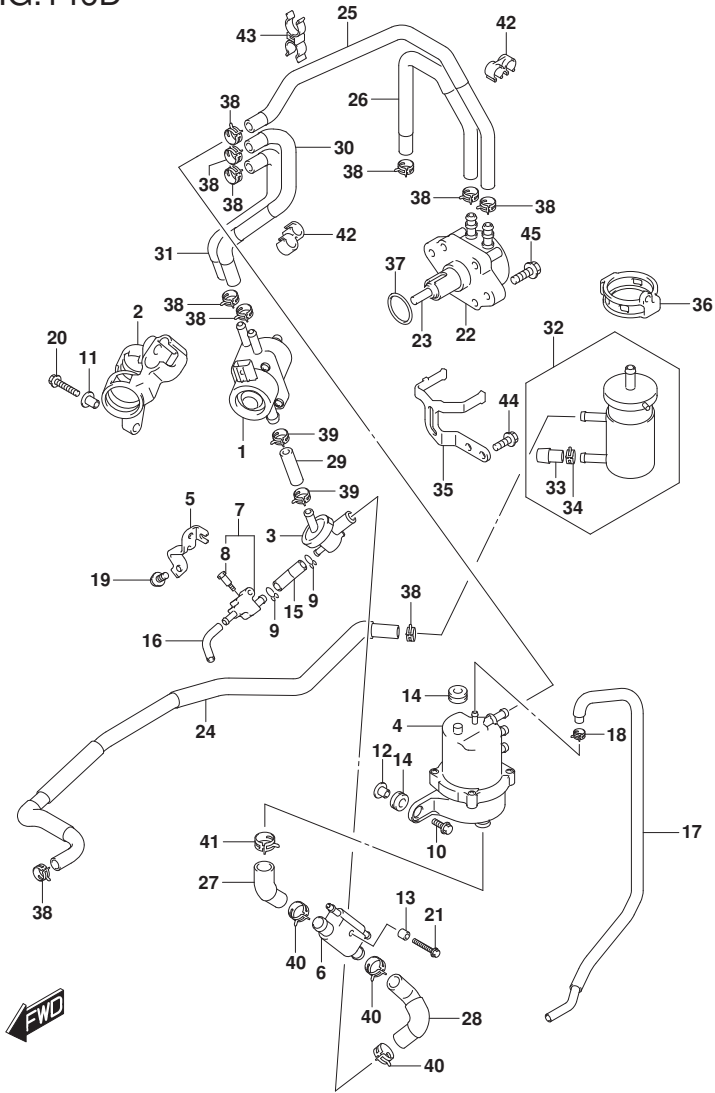


FIG.146D (1-C-11) FUEL PUMP (DF25ATH P01)

REF NO.	PART NO.	DESCRIPTION	Q'TY	REMARKS
32	15410-87L00	FILTER, FUEL	1	
33	15419-87J00	.CAP, FUEL FILTER	1	
34	09401-11423	.CLIP	1	
35	15421-94L00	BRACKET, FUEL FILTER	1	
36	15422-94L00	CLAMP, FUEL FILTER	1	
37	09280-26005	O RING (D:2.4,ID:26.2)	1	
38	09401-11423	CLIP	10	
39	09401-13423	CLIP	2	
40	09401-18414	CLIP	3	
41	09401-20410	CLIP	1	
42	09408-00043	CLAMP	2	
43	09408-00233	CLAMP	1	
44	01550-0616C	BOLT	2	
45	01550-0625C	BOLT	2	

FIG.146E

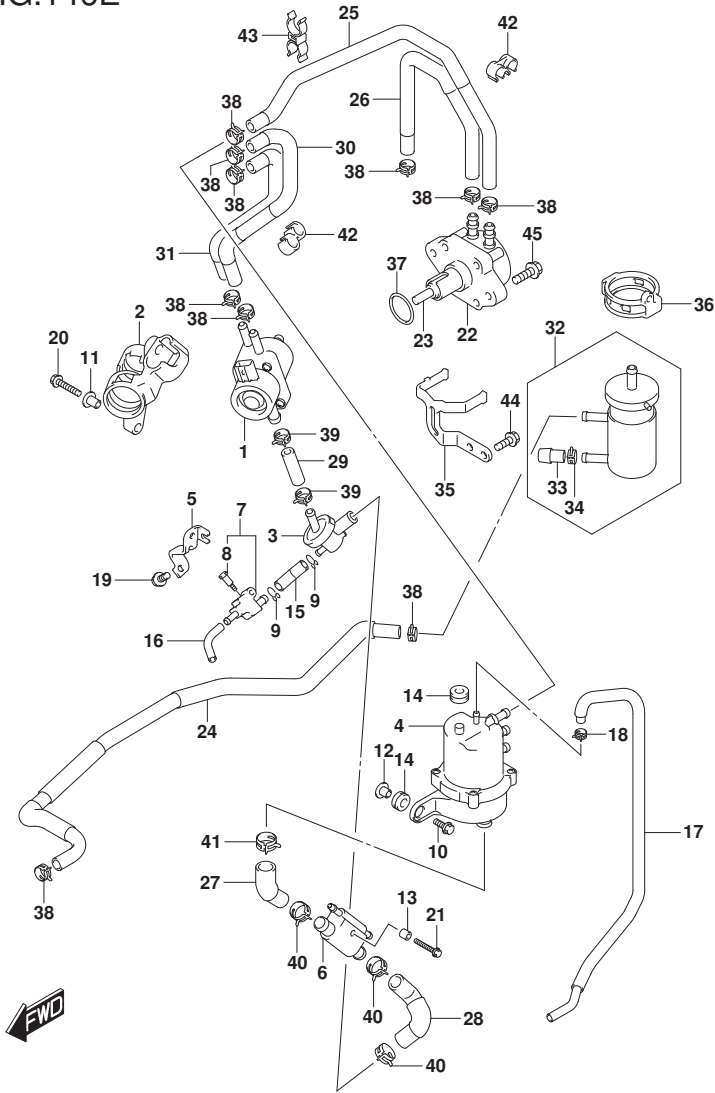


FIG.146E (1-C-12) FUEL PUMP (DF30A P40)

REF NO.	PART NO.	DESCRIPTION	Q'TY	REMARKS
1	15200-94L10	PUMP ASSY, FUEL (H)	1	
2	15217-94L00	CUSHION, FUEL PUMP (H)	1	
3	15410-94L00	FILTER, FUEL	1	
4	15600-94L00	SEPARATOR ASSY, FUEL VAPOR	1	
5	15674-94L00	BRACKET, FUEL DRAIN	1	
6	15770-94L00	COOLER, FUEL	1	
7	15820-94L00	BODY, DRAIN	1	
8	15629-89L00	.SCREW, FUEL DRAIN	1	
9	59412-91J00	CLIP, FUEL HOSE	2	
10	09116-06517	BOLT (6X25)	2	
11	09169-06075	WASHER	1	
12	09169-06062	WASHER	2	
13	09180-06230	SPACER (6.2X12.6X12.5)	1	
14	09320-09052	CUSHION	3	
15	09343-50L01-040	HOSE	1	
16	09344-55001-070	HOSE (5.5X9X70)	1	
17	15662-94L00	HOSE, EVAPORATION	1	
18	09401-08412	CLIP	1	
19	01550-0616C	BOLT	1	
20	01550-0630C	BOLT	1	
21	01550-06457	BOLT	1	
22	15100-94L10	PUMP ASSY, FUEL (L)	1	
23	15131-94L00	ROD, FUEL PUMP	1	
24	15191-94L00	HOSE, FUEL (CONN TO FILTER)	1	
25	15192-94L00	HOSE, FUEL (PUMP TO SEPARATOR)	1	
26	15193-94L00	HOSE, FUEL (FILTER TO PUMP)	1	
27	15194-94L00	HOSE, FUEL (SEPARATOR TO COOLER)	1	
28	15194-94L10	HOSE, FUEL (COOLER TO 3WAY)	1	
29	15194-94L20	HOSE, FUEL (3WAY TO PUMP)	1	
30	15194-94L30	HOSE, FUEL (PUMP(H) TO SEP1)	1	
31	15194-94L40	HOSE, FUEL (PUMP(H) TO SEP2)	1	

FIG.146E

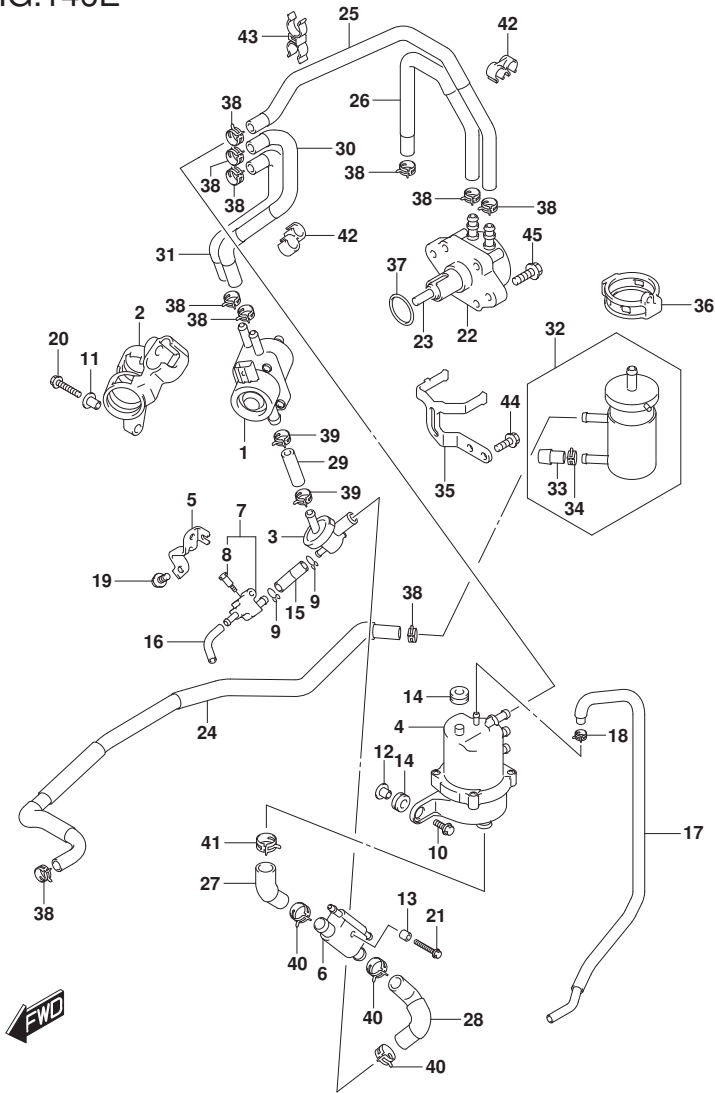


FIG.146E (1-C-13) FUEL PUMP (DF30A P40)

REF NO.	PART NO.	DESCRIPTION	Q'TY	REMARKS
32	15410-87L00	FILTER, FUEL	1	
33	15419-87J00	.CAP, FUEL FILTER	1	
34	09401-11423	.CLIP	1	
35	15421-94L00	BRACKET, FUEL FILTER	1	
36	15422-94L00	CLAMP, FUEL FILTER	1	
37	09280-26005	O RING (D:2.4, ID:26.2)	1	
38	09401-11423	CLIP	10	
39	09401-13423	CLIP	2	
40	09401-18414	CLIP	3	
41	09401-20410	CLIP	1	
42	09408-00043	CLAMP	2	
43	09408-00233	CLAMP	1	
44	01550-0616C	BOLT	2	
45	01550-0625C	BOLT	2	

FIG.146F

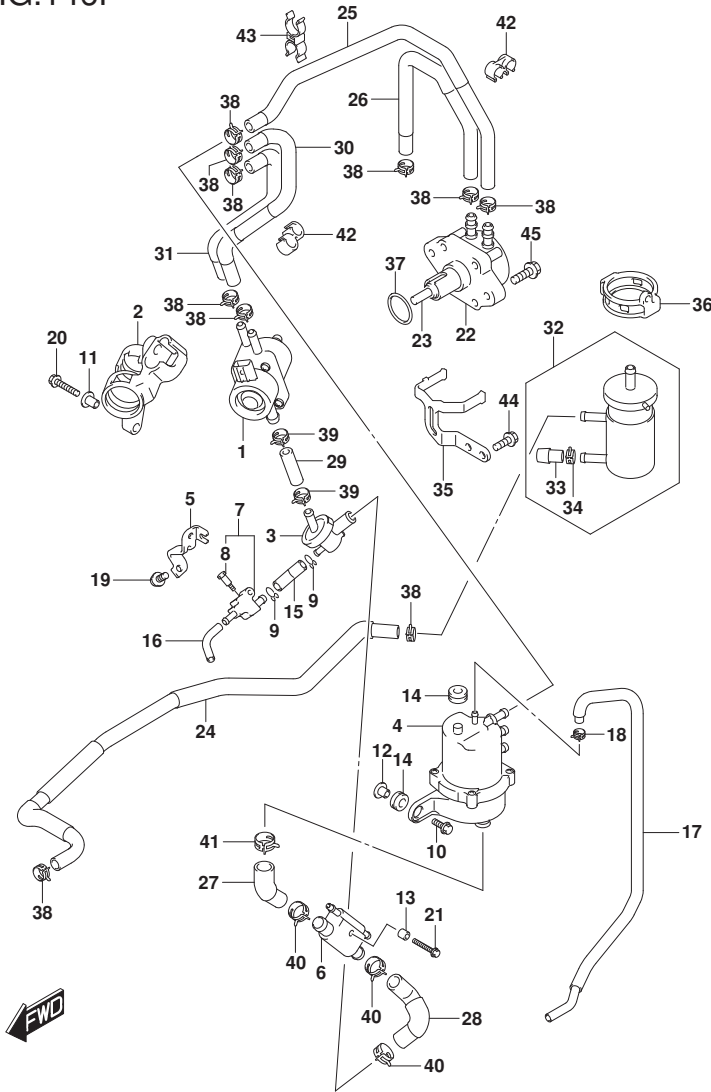


FIG.146F (1-C-14) FUEL PUMP (DF30AR P01)

REF NO.	PART NO.	DESCRIPTION	Q'TY	REMARKS
1	15200-94L10	PUMP ASSY, FUEL (H)	1	
2	15217-94L00	CUSHION, FUEL PUMP (H)	1	
3	15410-94L00	FILTER, FUEL	1	
4	15600-94L00	SEPARATOR ASSY, FUEL VAPOR	1	
5	15674-94L00	BRACKET, FUEL DRAIN	1	
6	15770-94L00	COOLER, FUEL	1	
7	15820-94L00	BODY, DRAIN	1	
8	15629-89L00	.SCREW, FUEL DRAIN	1	
9	59412-91J00	CLIP, FUEL HOSE	2	
10	09116-06517	BOLT (6X25)	2	
11	09169-06075	WASHER	1	
12	09169-06062	WASHER	2	
13	09180-06230	SPACER (6.2X12.6X12.5)	1	
14	09320-09052	CUSHION	3	
15	09343-50L01-040	HOSE	1	
16	09344-55001-070	HOSE (5.5X9X70)	1	
17	15662-94L00	HOSE, EVAPORATION	1	
18	09401-08412	CLIP	1	
19	01550-0616C	BOLT	1	
20	01550-0630C	BOLT	1	
21	01550-06457	BOLT	1	
22	15100-94L00	PUMP ASSY, FUEL (L)	1	
23	15131-94L00	ROD, FUEL PUMP	1	
24	15191-94L00	HOSE, FUEL (CONN TO FILTER)	1	
25	15192-94L00	HOSE, FUEL (PUMP TO SEPARATOR)	1	
26	15193-94L00	HOSE, FUEL (FILTER TO PUMP)	1	
27	15194-94L00	HOSE, FUEL (SEPARATOR TO COOLER)	1	
28	15194-94L10	HOSE, FUEL (COOLER TO 3WAY)	1	
29	15194-94L20	HOSE, FUEL (3WAY TO PUMP)	1	
30	15194-94L30	HOSE, FUEL (PUMP(H) TO SEP1)	1	
31	15194-94L40	HOSE, FUEL (PUMP(H) TO SEP2)	1	

FIG.146F

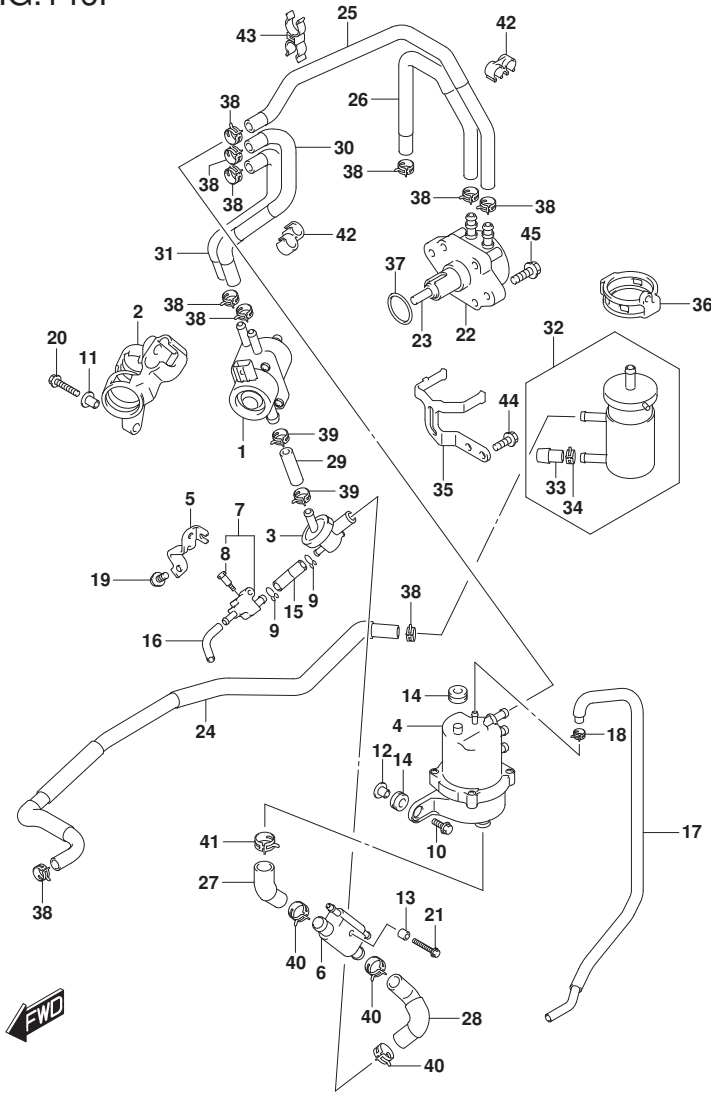


FIG.146F (1-C-15) FUEL PUMP (DF30AR P01)

REF NO.	PART NO.	DESCRIPTION	Q'TY	REMARKS
32	15410-87L00	FILTER, FUEL	1	
33	15419-87J00	.CAP, FUEL FILTER	1	
34	09401-11423	.CLIP	1	
35	15421-94L00	BRACKET, FUEL FILTER	1	
36	15422-94L00	CLAMP, FUEL FILTER	1	
37	09280-26005	O RING (D:2.4,ID:26.2)	1	
38	09401-11423	CLIP	10	
39	09401-13423	CLIP	2	
40	09401-18414	CLIP	3	
41	09401-20410	CLIP	1	
42	09408-00043	CLAMP	2	
43	09408-00233	CLAMP	1	
44	01550-0616C	BOLT	2	
45	01550-0625C	BOLT	2	

FIG.146G

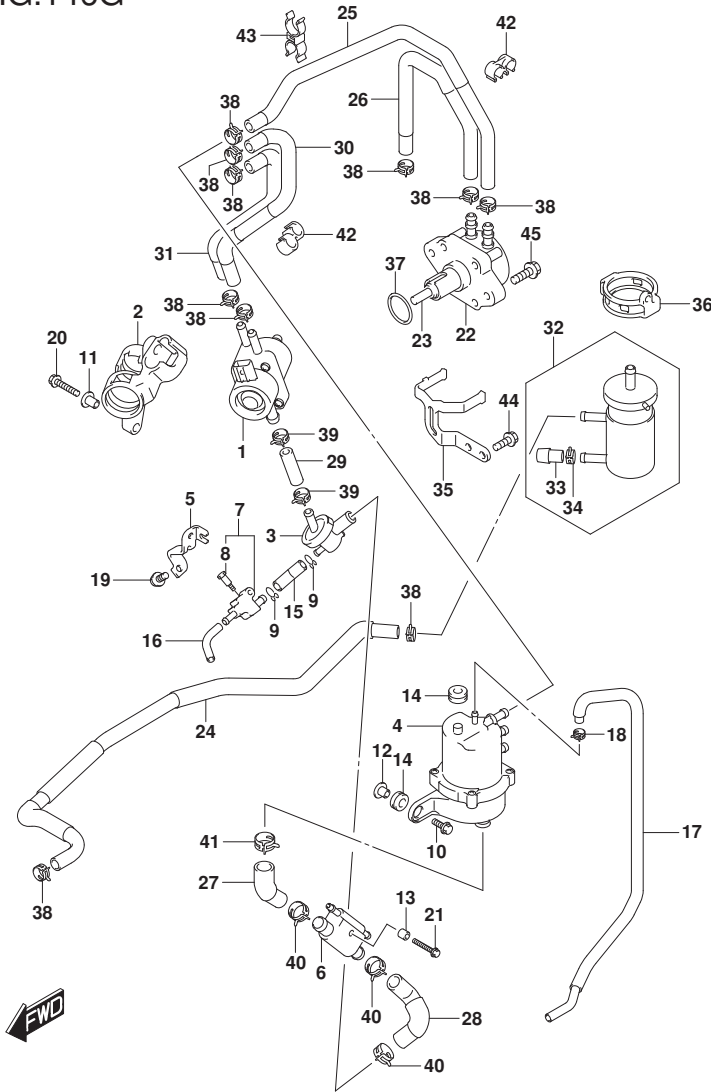


FIG.146G (1-D-2) FUEL PUMP (DF30AT P01)

REF NO.	PART NO.	DESCRIPTION	Q'TY	REMARKS
1	15200-94L10	PUMP ASSY, FUEL (H)	1	
2	15217-94L00	CUSHION, FUEL PUMP (H)	1	
3	15410-94L00	FILTER, FUEL	1	
4	15600-94L00	SEPARATOR ASSY, FUEL VAPOR	1	
5	15674-94L00	BRACKET, FUEL DRAIN	1	
6	15770-94L00	COOLER, FUEL	1	
7	15820-94L00	BODY, DRAIN	1	
8	15629-89L00	.SCREW, FUEL DRAIN	1	
9	59412-91J00	CLIP, FUEL HOSE	2	
10	09116-06517	BOLT (6X25)	2	
11	09169-06075	WASHER	1	
12	09169-06062	WASHER	2	
13	09180-06230	SPACER (6.2X12.6X12.5)	1	
14	09320-09052	CUSHION	3	
15	09343-50L01-040	HOSE	1	
16	09344-55001-070	HOSE (5.5X9X70)	1	
17	15662-94L00	HOSE, EVAPORATION	1	
18	09401-08412	CLIP	1	
19	01550-0616C	BOLT	1	
20	01550-0630C	BOLT	1	
21	01550-06457	BOLT	1	
22	15100-94L00	PUMP ASSY, FUEL (L)	1	
23	15131-94L00	ROD, FUEL PUMP	1	
24	15191-94L00	HOSE, FUEL (CONN TO FILTER)	1	
25	15192-94L00	HOSE, FUEL (PUMP TO SEPARATOR)	1	
26	15193-94L00	HOSE, FUEL (FILTER TO PUMP)	1	
27	15194-94L00	HOSE, FUEL (SEPARATOR TO COOLER)	1	
28	15194-94L10	HOSE, FUEL (COOLER TO 3WAY)	1	
29	15194-94L20	HOSE, FUEL (3WAY TO PUMP)	1	
30	15194-94L30	HOSE, FUEL (PUMP(H) TO SEP1)	1	
31	15194-94L40	HOSE, FUEL (PUMP(H) TO SEP2)	1	

FIG.146G

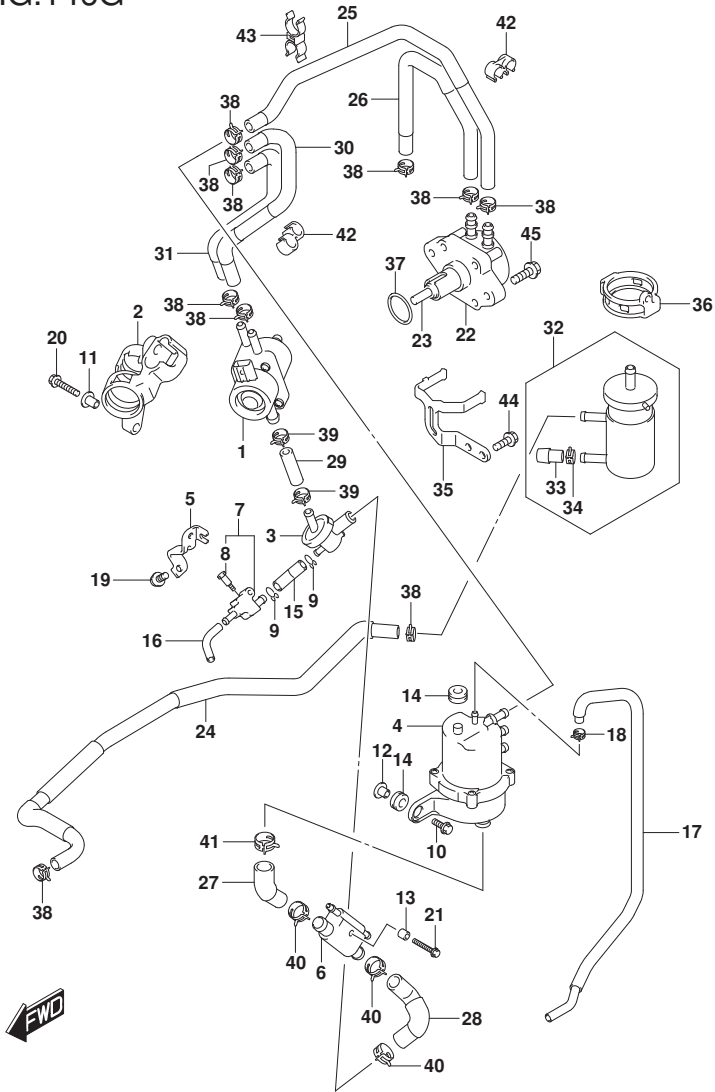


FIG.146G (1-D-3) FUEL PUMP (DF30AT P01)

REF NO.	PART NO.	DESCRIPTION	Q'TY	REMARKS
32	15410-87L00	FILTER, FUEL	1	
33	15419-87J00	.CAP, FUEL FILTER	1	
34	09401-11423	.CLIP	1	
35	15421-94L00	BRACKET, FUEL FILTER	1	
36	15422-94L00	CLAMP, FUEL FILTER	1	
37	09280-26005	O RING (D:2.4,ID:26.2)	1	
38	09401-11423	CLIP	10	
39	09401-13423	CLIP	2	
40	09401-18414	CLIP	3	
41	09401-20410	CLIP	1	
42	09408-00043	CLAMP	2	
43	09408-00233	CLAMP	1	
44	01550-0616C	BOLT	2	
45	01550-0625C	BOLT	2	

FIG.146H

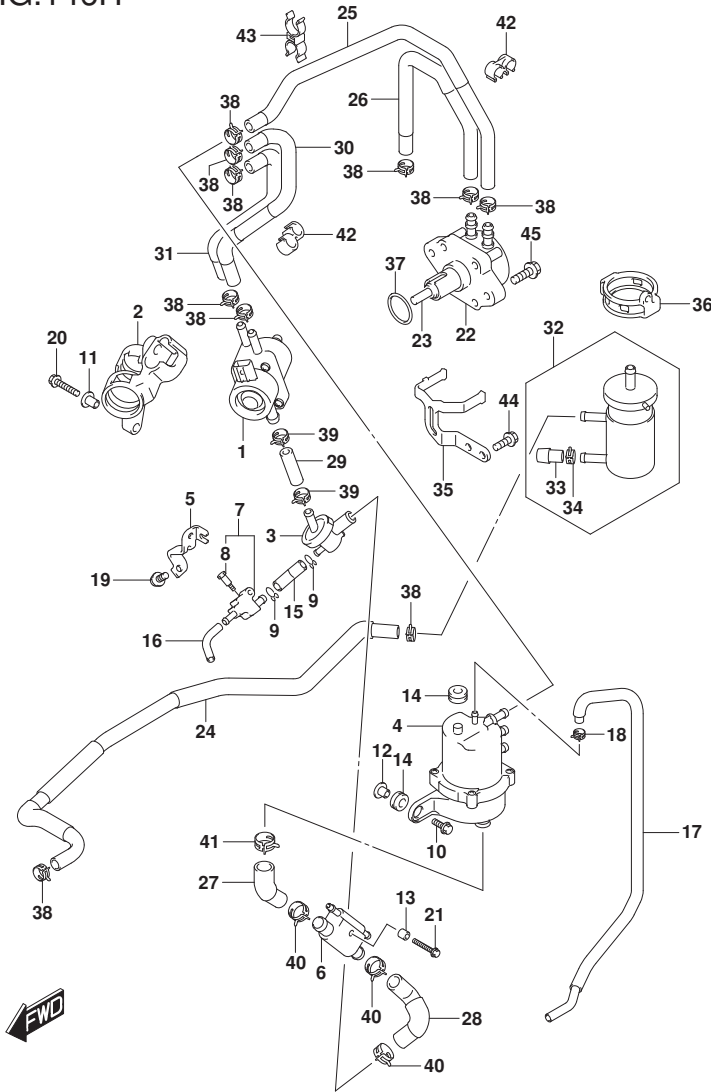


FIG.146H (1-D-4) FUEL PUMP (DF30ATH P01)

REF NO.	PART NO.	DESCRIPTION	Q'TY	REMARKS
1	15200-94L10	PUMP ASSY, FUEL (H)	1	
2	15217-94L00	CUSHION, FUEL PUMP (H)	1	
3	15410-94L00	FILTER, FUEL	1	
4	15600-94L00	SEPARATOR ASSY, FUEL VAPOR	1	
5	15674-94L00	BRACKET, FUEL DRAIN	1	
6	15770-94L00	COOLER, FUEL	1	
7	15820-94L00	BODY, DRAIN	1	
8	15629-89L00	.SCREW, FUEL DRAIN	1	
9	59412-91J00	CLIP, FUEL HOSE	2	
10	09116-06517	BOLT (6X25)	2	
11	09169-06075	WASHER	1	
12	09169-06062	WASHER	2	
13	09180-06230	SPACER (6.2X12.6X12.5)	1	
14	09320-09052	CUSHION	3	
15	09343-50L01-040	HOSE	1	
16	09344-55001-070	HOSE (5.5X9X70)	1	
17	15662-94L00	HOSE, EVAPORATION	1	
18	09401-08412	CLIP	1	
19	01550-0616C	BOLT	1	
20	01550-0630C	BOLT	1	
21	01550-06457	BOLT	1	
22	15100-94L00	PUMP ASSY, FUEL (L)	1	
23	15131-94L00	ROD, FUEL PUMP	1	
24	15191-94L00	HOSE, FUEL (CONN TO FILTER)	1	
25	15192-94L00	HOSE, FUEL (PUMP TO SEPARATOR)	1	
26	15193-94L00	HOSE, FUEL (FILTER TO PUMP)	1	
27	15194-94L00	HOSE, FUEL (SEPARATOR TO COOLER)	1	
28	15194-94L10	HOSE, FUEL (COOLER TO 3WAY)	1	
29	15194-94L20	HOSE, FUEL (3WAY TO PUMP)	1	
30	15194-94L30	HOSE, FUEL (PUMP(H) TO SEP1)	1	
31	15194-94L40	HOSE, FUEL (PUMP(H) TO SEP2)	1	

FIG.146H

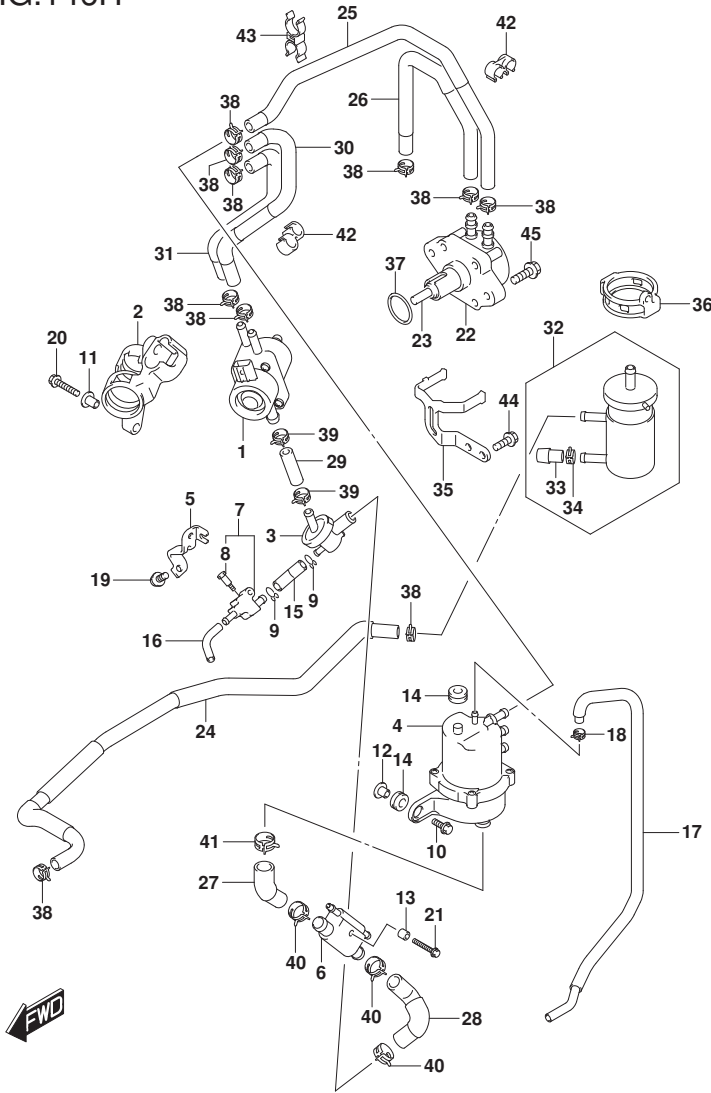


FIG.146H (1-D-5) FUEL PUMP (DF30ATH P01)

REF NO.	PART NO.	DESCRIPTION	Q'TY	REMARKS
32	15410-87L00	FILTER, FUEL	1	
33	15419-87J00	.CAP, FUEL FILTER	1	
34	09401-11423	.CLIP	1	
35	15421-94L00	BRACKET, FUEL FILTER	1	
36	15422-94L00	CLAMP, FUEL FILTER	1	
37	09280-26005	O RING (D:2.4,ID:26.2)	1	
38	09401-11423	CLIP	10	
39	09401-13423	CLIP	2	
40	09401-18414	CLIP	3	
41	09401-20410	CLIP	1	
42	09408-00043	CLAMP	2	
43	09408-00233	CLAMP	1	
44	01550-0616C	BOLT	2	
45	01550-0625C	BOLT	2	

FIG.146J

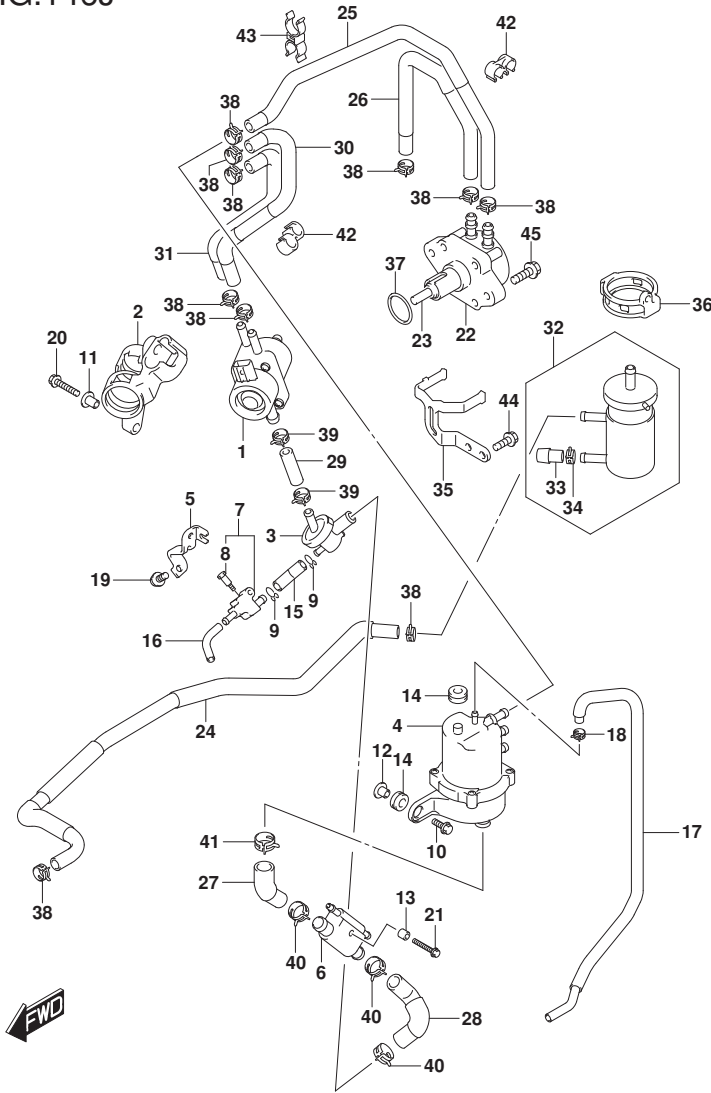


FIG.146J (1-D-6) FUEL PUMP (DF30AQ P01)

REF NO.	PART NO.	DESCRIPTION	Q'TY	REMARKS
1	15200-94L10	PUMP ASSY, FUEL (H)	1	
2	15217-94L00	CUSHION, FUEL PUMP (H)	1	
3	15410-94L00	FILTER, FUEL	1	
4	15600-94L00	SEPARATOR ASSY, FUEL VAPOR	1	
5	15674-94L00	BRACKET, FUEL DRAIN	1	
6	15770-94L00	COOLER, FUEL	1	
7	15820-94L00	BODY, DRAIN	1	
8	15629-89L00	.SCREW, FUEL DRAIN	1	
9	59412-91J00	CLIP, FUEL HOSE	2	
10	09116-06517	BOLT (6X25)	2	
11	09169-06075	WASHER	1	
12	09169-06062	WASHER	2	
13	09180-06230	SPACER (6.2X12.6X12.5)	1	
14	09320-09052	CUSHION	3	
15	09343-50L01-040	HOSE	1	
16	09344-55001-070	HOSE (5.5X9X70)	1	
17	15662-94L00	HOSE, EVAPORATION	1	
18	09401-08412	CLIP	1	
19	01550-0616C	BOLT	1	
20	01550-0630C	BOLT	1	
21	01550-06457	BOLT	1	
22	15100-94L00	PUMP ASSY, FUEL (L)	1	
23	15131-94L00	ROD, FUEL PUMP	1	
24	15191-94L00	HOSE, FUEL (CONN TO FILTER)	1	
25	15192-94L00	HOSE, FUEL (PUMP TO SEPARATOR)	1	
26	15193-94L00	HOSE, FUEL (FILTER TO PUMP)	1	
27	15194-94L00	HOSE, FUEL (SEPARATOR TO COOLER)	1	
28	15194-94L10	HOSE, FUEL (COOLER TO 3WAY)	1	
29	15194-94L20	HOSE, FUEL (3WAY TO PUMP)	1	
30	15194-94L30	HOSE, FUEL (PUMP(H) TO SEP1)	1	
31	15194-94L40	HOSE, FUEL (PUMP(H) TO SEP2)	1	

FIG.146J

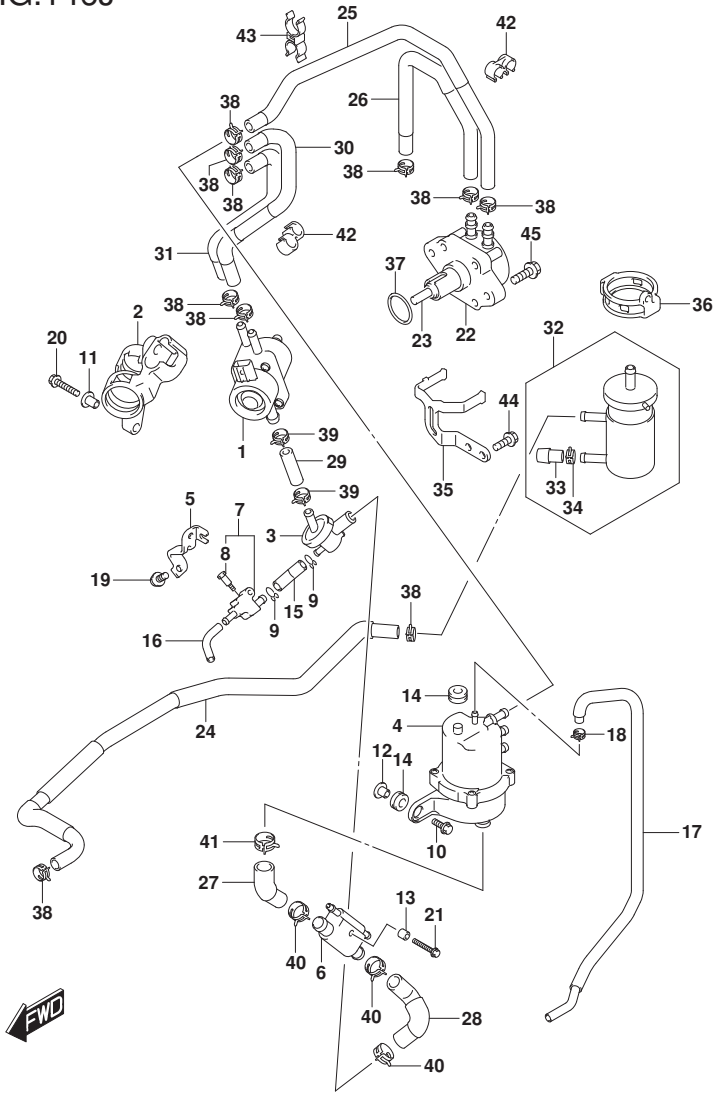


FIG.146J (1-D-7) FUEL PUMP (DF30AQ P01)

REF NO.	PART NO.	DESCRIPTION	Q'TY	REMARKS
32	15410-87L00	FILTER, FUEL	1	
33	15419-87J00	.CAP, FUEL FILTER	1	
34	09401-11423	.CLIP	1	
35	15421-94L00	BRACKET, FUEL FILTER	1	
36	15422-94L00	CLAMP, FUEL FILTER	1	
37	09280-26005	O RING (D:2.4,ID:26.2)	1	
38	09401-11423	CLIP	10	
39	09401-13423	CLIP	2	
40	09401-18414	CLIP	3	
41	09401-20410	CLIP	1	
42	09408-00043	CLAMP	2	
43	09408-00233	CLAMP	1	
44	01550-0616C	BOLT	2	
45	01550-0625C	BOLT	2	

FIG.160A

FIG.160A (1-D-8) WATER PUMP (DF25A P01)

REF NO.	PART NO.	DESCRIPTION	Q'TY	REMARKS
1	17411-94L00	CASE, WATER PUMP	1	
2	17413-94L00	SLEEVE, WATER PUMP CASE	1	
3	17461-94L00	IMPELLER, WATER PUMP	1	
4	17462-94L00	KEY, WATER PUMP IMPELLER	1	
5	17471-94L00	PANEL, PUMP CASE UNDER	1	
6	17472-94L00	GASKET, PUMP CASE UNDER	1	
7-1	17561-94L00	TUBE, WATER (S)	1	W/TRANSOM(S)
7-2	17561-94L10	TUBE, WATER (L)	1	W/TRANSOM(L)
8	17562-94L00	GROMMET, WATER TUBE UPPER	1	
9	17564-94L00	GROMMET, WATER TUBE LOWER	1	
10	17631-94L00	FILTER, WATER PORT SIDE	1	
11	17632-94L00	FILTER, WATER STBD SIDE	1	
12	03142-04259	SCREW	1	
13	29141-93J00	NUT	4	
14	09108-06149	STUD BOLD	4	
15	09160-06082	WASHER (6.5X13X1.0)	4	
16	09280-54004	O RING (D:2.8,ID:53.4)	1	
17	17565-94L00	GUIDE, WATER TUBE	1	
18	17400-94L00	KIT, WATER PUMP REPAIR	1	OPT

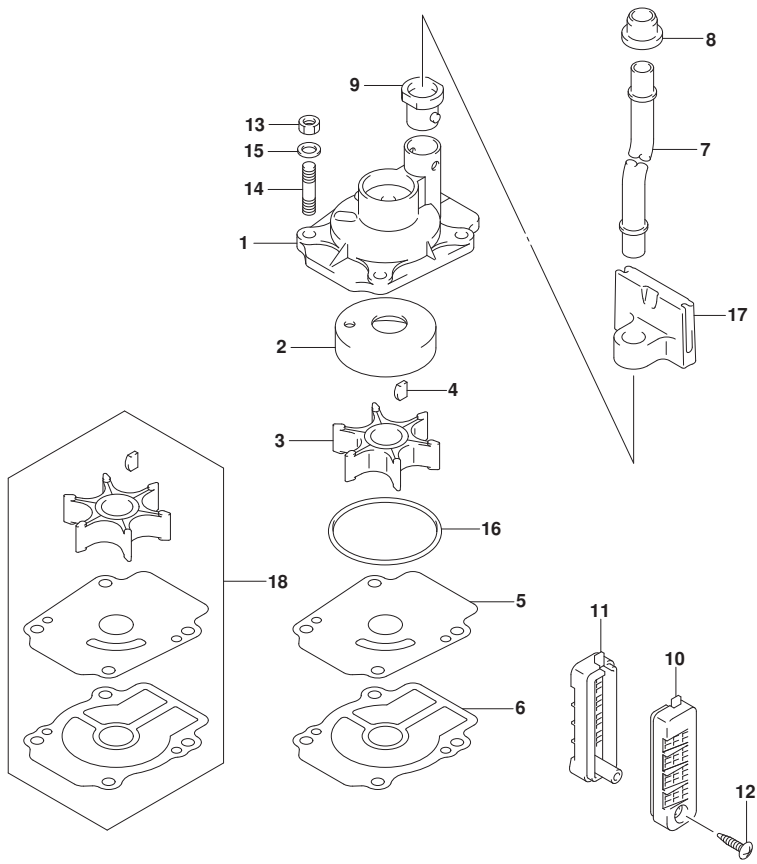


FIG.160B

FIG.160B (1-D-9) WATER PUMP (DF25AR P01)

REF NO.	PART NO.	DESCRIPTION	Q'TY	REMARKS
1	17411-94L00	CASE, WATER PUMP	1	
2	17413-94L00	SLEEVE, WATER PUMP CASE	1	
3	17461-94L00	IMPELLER, WATER PUMP	1	
4	17462-94L00	KEY, WATER PUMP IMPELLER	1	
5	17471-94L00	PANEL, PUMP CASE UNDER	1	
6	17472-94L00	GASKET, PUMP CASE UNDER	1	
7-1	17561-94L00	TUBE, WATER (S)	1	W/TRANSOM(S)
7-2	17561-94L10	TUBE, WATER (L)	1	W/TRANSOM(L)
8	17562-94L00	GROMMET, WATER TUBE UPPER	1	
9	17564-94L00	GROMMET, WATER TUBE LOWER	1	
10	17631-94L00	FILTER, WATER PORT SIDE	1	
11	17632-94L00	FILTER, WATER STBD SIDE	1	
12	03142-04259	SCREW	1	
13	29141-93J00	NUT	4	
14	09108-06149	STUD BOLD	4	
15	09160-06082	WASHER (6.5X13X1.0)	4	
16	09280-54004	O RING (D:2.8,ID:53.4)	1	
17	17565-94L00	GUIDE, WATER TUBE	1	
18	17400-94L00	KIT, WATER PUMP REPAIR	1	OPT

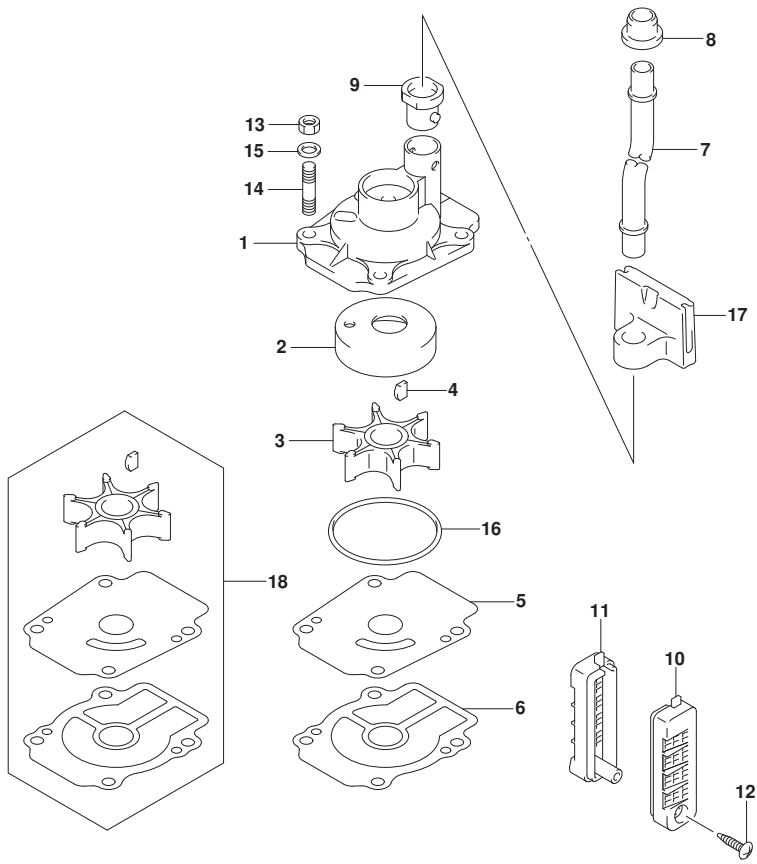


FIG.160C

FIG.160C (1-D-10) WATER PUMP (DF25AT P01)

REF NO.	PART NO.	DESCRIPTION	Q'TY	REMARKS
1	17411-94L00	CASE, WATER PUMP	1	
2	17413-94L00	SLEEVE, WATER PUMP CASE	1	
3	17461-94L00	IMPELLER, WATER PUMP	1	
4	17462-94L00	KEY, WATER PUMP IMPELLER	1	
5	17471-94L00	PANEL, PUMP CASE UNDER	1	
6	17472-94L00	GASKET, PUMP CASE UNDER	1	
7-1	17561-94L00	TUBE, WATER (S)	1	W/TRANSOM(S)
7-2	17561-94L10	TUBE, WATER (L)	1	W/TRANSOM(L)
8	17562-94L00	GROMMET, WATER TUBE UPPER	1	
9	17564-94L00	GROMMET, WATER TUBE LOWER	1	
10	17631-94L00	FILTER, WATER PORT SIDE	1	
11	17632-94L00	FILTER, WATER STBD SIDE	1	
12	03142-04259	SCREW	1	
13	29141-93J00	NUT	4	
14	09108-06149	STUD BOLD	4	
15	09160-06082	WASHER (6.5X13X1.0)	4	
16	09280-54004	O RING (D:2.8,ID:53.4)	1	
17	17565-94L00	GUIDE, WATER TUBE	1	
18	17400-94L00	KIT, WATER PUMP REPAIR	1	OPT

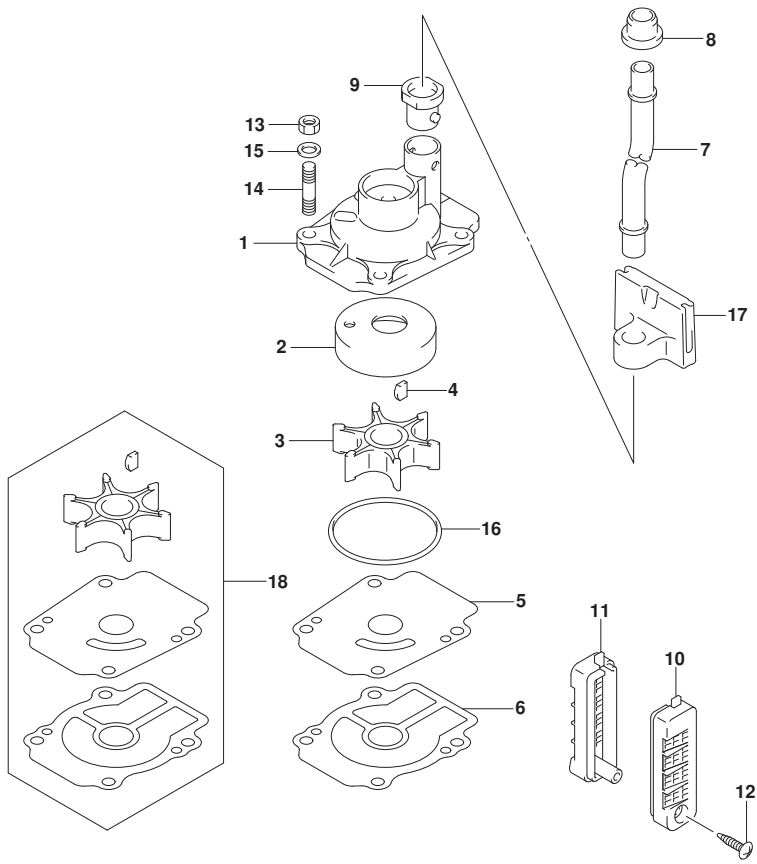


FIG.160D

FIG.160D (1-D-11) WATER PUMP (DF25ATH P01)

REF NO.	PART NO.	DESCRIPTION	Q'TY	REMARKS
1	17411-94L00	CASE, WATER PUMP	1	
2	17413-94L00	SLEEVE, WATER PUMP CASE	1	
3	17461-94L00	IMPELLER, WATER PUMP	1	
4	17462-94L00	KEY, WATER PUMP IMPELLER	1	
5	17471-94L00	PANEL, PUMP CASE UNDER	1	
6	17472-94L00	GASKET, PUMP CASE UNDER	1	
7-1	17561-94L00	TUBE, WATER (S)	1	W/TRANSOM(S)
7-2	17561-94L10	TUBE, WATER (L)	1	W/TRANSOM(L)
8	17562-94L00	GROMMET, WATER TUBE UPPER	1	
9	17564-94L00	GROMMET, WATER TUBE LOWER	1	
10	17631-94L00	FILTER, WATER PORT SIDE	1	
11	17632-94L00	FILTER, WATER STBD SIDE	1	
12	03142-04259	SCREW	1	
13	29141-93J00	NUT	4	
14	09108-06149	STUD BOLD	4	
15	09160-06082	WASHER (6.5X13X1.0)	4	
16	09280-54004	O RING (D:2.8,ID:53.4)	1	
17	17565-94L00	GUIDE, WATER TUBE	1	
18	17400-94L00	KIT, WATER PUMP REPAIR	1	OPT

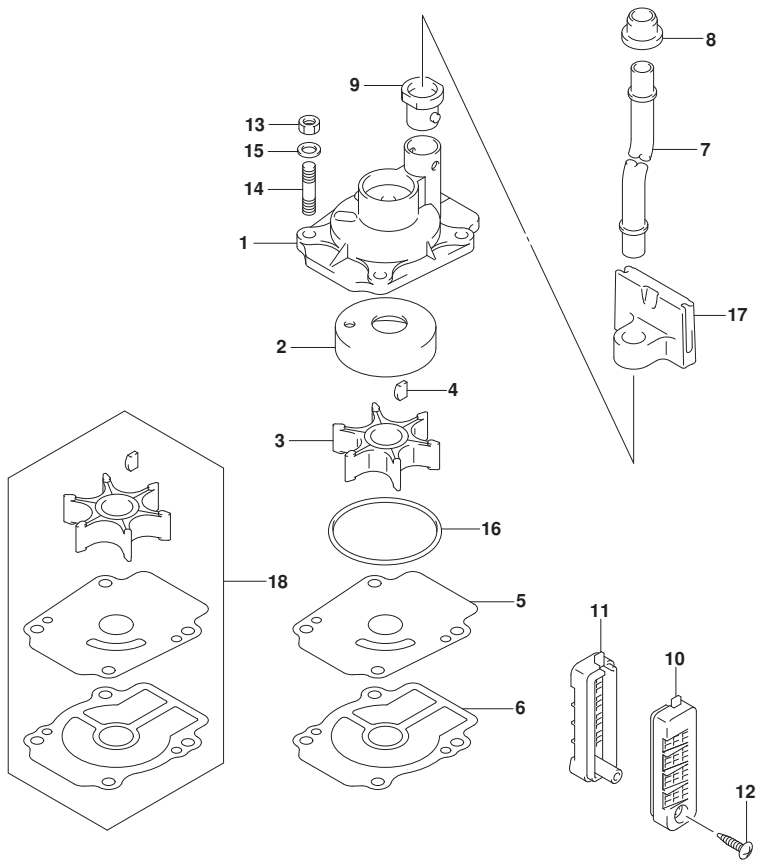


FIG.160E

FIG.160E (1-D-12) WATER PUMP (DF30A P40)

REF NO.	PART NO.	DESCRIPTION	Q'TY	REMARKS
1	17411-94L00	CASE, WATER PUMP	1	
2	17413-94L10	SLEEVE, WATER PUMP CASE	1	
3	17461-94L00	IMPELLER, WATER PUMP	1	
4	17462-94L00	KEY, WATER PUMP IMPELLER	1	
5	17471-94L10	PANEL, PUMP CASE UNDER	1	
6	17472-94L00	GASKET, PUMP CASE UNDER	1	
7-1	17561-94L00	TUBE, WATER (S)	1	W/TRANSOM(S)
7-2	17561-94L10	TUBE, WATER (L)	1	W/TRANSOM(L)
8	17562-94L00	GROMMET, WATER TUBE UPPER	1	
9	17564-94L00	GROMMET, WATER TUBE LOWER	1	
10	17631-94L00	FILTER, WATER PORT SIDE	1	
11	17632-94L00	FILTER, WATER STBD SIDE	1	
12	03142-04259	SCREW	1	
13	29141-93J00	NUT	4	
14	09108-06149	STUD BOLD	4	
15	09160-06082	WASHER (6.5X13X1.0)	4	
16	09280-54004	O RING (D:2.8,ID:53.4)	1	
17	17565-94L00	GUIDE, WATER TUBE	1	
18	17400-94L10	KIT, WATER PUMP REPAIR	1	OPT

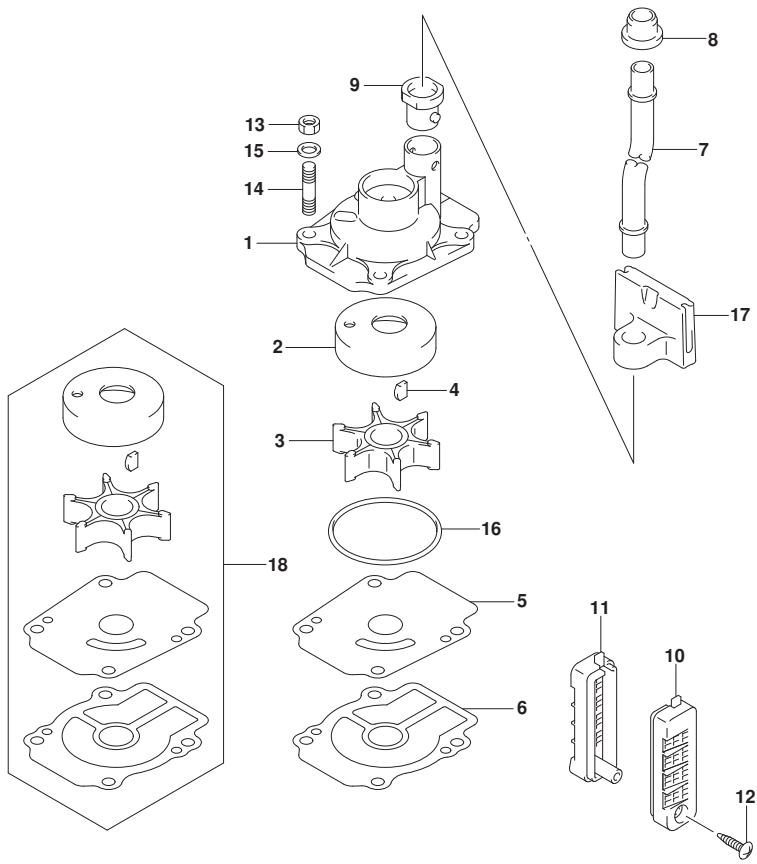


FIG.160F

FIG.160F (1-D-13) WATER PUMP (DF30AR P01)

REF NO.	PART NO.	DESCRIPTION	Q'TY	REMARKS
1	17411-94L00	CASE, WATER PUMP	1	
2	17413-94L00	SLEEVE, WATER PUMP CASE	1	
3	17461-94L00	IMPELLER, WATER PUMP	1	
4	17462-94L00	KEY, WATER PUMP IMPELLER	1	
5	17471-94L00	PANEL, PUMP CASE UNDER	1	
6	17472-94L00	GASKET, PUMP CASE UNDER	1	
7-1	17561-94L00	TUBE, WATER (S)	1	W/TRANSOM(S)
7-2	17561-94L10	TUBE, WATER (L)	1	W/TRANSOM(L)
8	17562-94L00	GROMMET, WATER TUBE UPPER	1	
9	17564-94L00	GROMMET, WATER TUBE LOWER	1	
10	17631-94L00	FILTER, WATER PORT SIDE	1	
11	17632-94L00	FILTER, WATER STBD SIDE	1	
12	03142-04259	SCREW	1	
13	29141-93J00	NUT	4	
14	09108-06149	STUD BOLD	4	
15	09160-06082	WASHER (6.5X13X1.0)	4	
16	09280-54004	O RING (D:2.8,ID:53.4)	1	
17	17565-94L00	GUIDE, WATER TUBE	1	
18	17400-94L00	KIT, WATER PUMP REPAIR	1	OPT

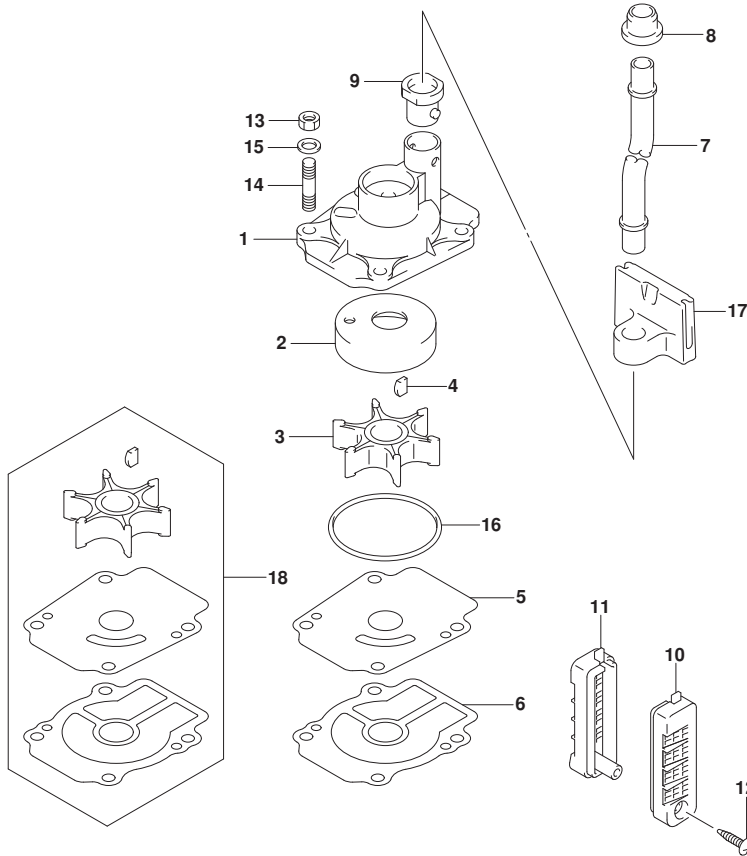


FIG.160G

FIG.160G (1-D-14) WATER PUMP (DF30AT P01)

REF NO.	PART NO.	DESCRIPTION	Q'TY	REMARKS
1	17411-94L00	CASE, WATER PUMP	1	
2	17413-94L00	SLEEVE, WATER PUMP CASE	1	
3	17461-94L00	IMPELLER, WATER PUMP	1	
4	17462-94L00	KEY, WATER PUMP IMPELLER	1	
5	17471-94L00	PANEL, PUMP CASE UNDER	1	
6	17472-94L00	GASKET, PUMP CASE UNDER	1	
7-1	17561-94L00	TUBE, WATER (S)	1	W/TRANSOM(S)
7-2	17561-94L10	TUBE, WATER (L)	1	W/TRANSOM(L)
8	17562-94L00	GROMMET, WATER TUBE UPPER	1	
9	17564-94L00	GROMMET, WATER TUBE LOWER	1	
10	17631-94L00	FILTER, WATER PORT SIDE	1	
11	17632-94L00	FILTER, WATER STBD SIDE	1	
12	03142-04259	SCREW	1	
13	29141-93J00	NUT	4	
14	09108-06149	STUD BOLD	4	
15	09160-06082	WASHER (6.5X13X1.0)	4	
16	09280-54004	O RING (D:2.8,ID:53.4)	1	
17	17565-94L00	GUIDE, WATER TUBE	1	
18	17400-94L00	KIT, WATER PUMP REPAIR	1	OPT

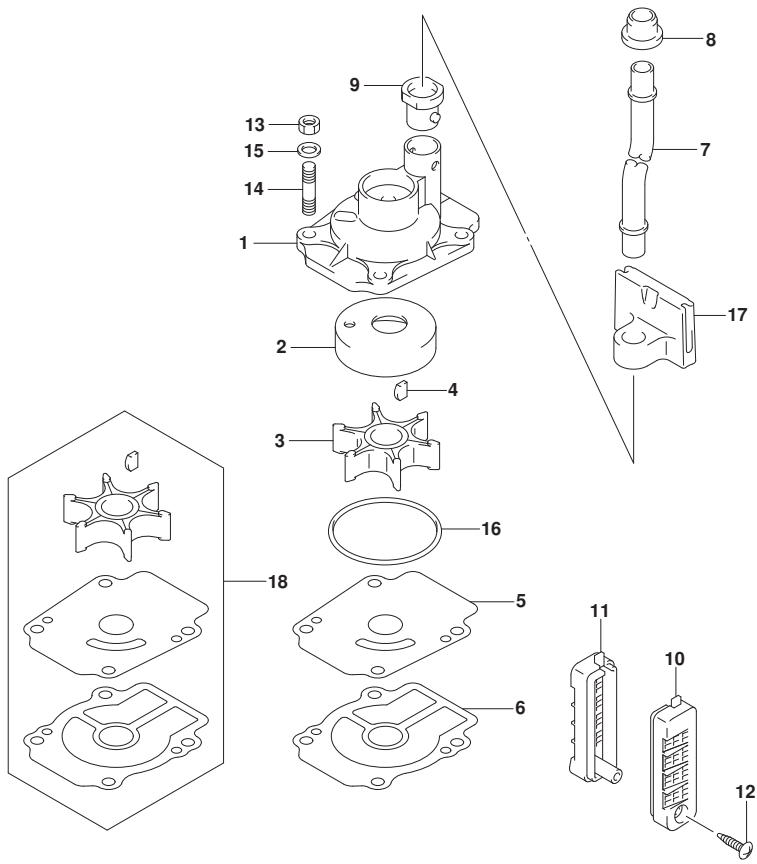


FIG.160H

FIG.160H (1-D-15) WATER PUMP (DF30ATH P01)

REF NO.	PART NO.	DESCRIPTION	Q'TY	REMARKS
1	17411-94L00	CASE, WATER PUMP	1	
2	17413-94L00	SLEEVE, WATER PUMP CASE	1	
3	17461-94L00	IMPELLER, WATER PUMP	1	
4	17462-94L00	KEY, WATER PUMP IMPELLER	1	
5	17471-94L00	PANEL, PUMP CASE UNDER	1	
6	17472-94L00	GASKET, PUMP CASE UNDER	1	
7-1	17561-94L00	TUBE, WATER (S)	1	W/TRANSOM(S)
7-2	17561-94L10	TUBE, WATER (L)	1	W/TRANSOM(L)
8	17562-94L00	GROMMET, WATER TUBE UPPER	1	
9	17564-94L00	GROMMET, WATER TUBE LOWER	1	
10	17631-94L00	FILTER, WATER PORT SIDE	1	
11	17632-94L00	FILTER, WATER STBD SIDE	1	
12	03142-04259	SCREW	1	
13	29141-93J00	NUT	4	
14	09108-06149	STUD BOLD	4	
15	09160-06082	WASHER (6.5X13X1.0)	4	
16	09280-54004	O RING (D:2.8,ID:53.4)	1	
17	17565-94L00	GUIDE, WATER TUBE	1	
18	17400-94L00	KIT, WATER PUMP REPAIR	1	OPT

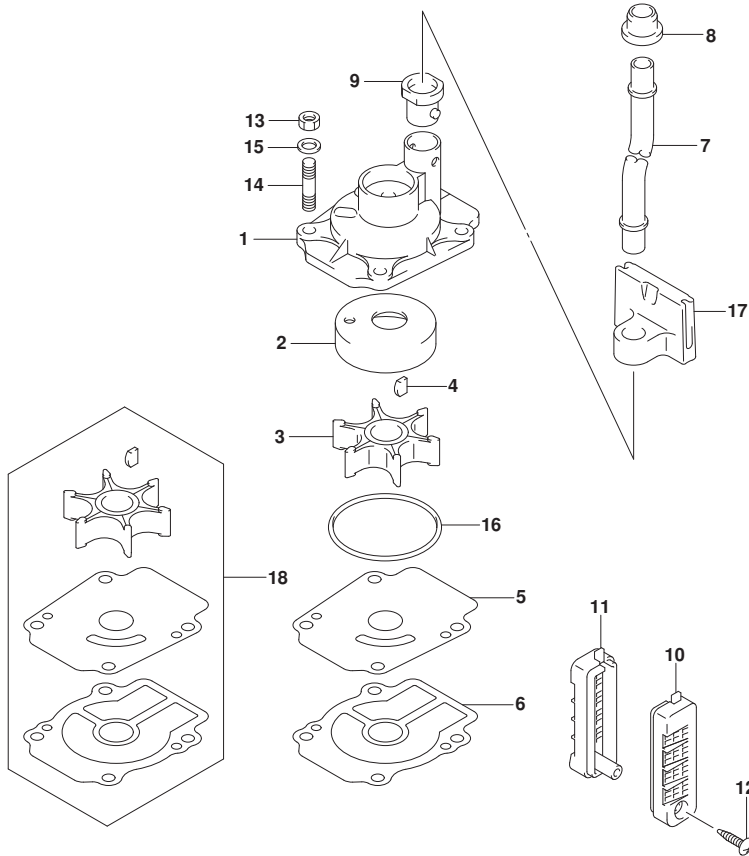


FIG.160J

FIG.160J (1-E-2) WATER PUMP (DF30AQ P01)

REF NO.	PART NO.	DESCRIPTION	Q'TY	REMARKS
1	17411-94L00	CASE, WATER PUMP	1	
2	17413-94L00	SLEEVE, WATER PUMP CASE	1	
3	17461-94L00	IMPELLER, WATER PUMP	1	
4	17462-94L00	KEY, WATER PUMP IMPELLER	1	
5	17471-94L00	PANEL, PUMP CASE UNDER	1	
6	17472-94L00	GASKET, PUMP CASE UNDER	1	
7-1	17561-94L00	TUBE, WATER (S)	1	W/TRANSOM(S)
7-2	17561-94L10	TUBE, WATER (L)	1	W/TRANSOM(L)
8	17562-94L00	GROMMET, WATER TUBE UPPER	1	
9	17564-94L00	GROMMET, WATER TUBE LOWER	1	
10	17631-94L00	FILTER, WATER PORT SIDE	1	
11	17632-94L00	FILTER, WATER STBD SIDE	1	
12	03142-04259	SCREW	1	
13	29141-93J00	NUT	4	
14	09108-06149	STUD BOLD	4	
15	09160-06082	WASHER (6.5X13X1.0)	4	
16	09280-54004	O RING (D:2.8,ID:53.4)	1	
17	17565-94L00	GUIDE, WATER TUBE	1	
18	17400-94L00	KIT, WATER PUMP REPAIR	1	OPT

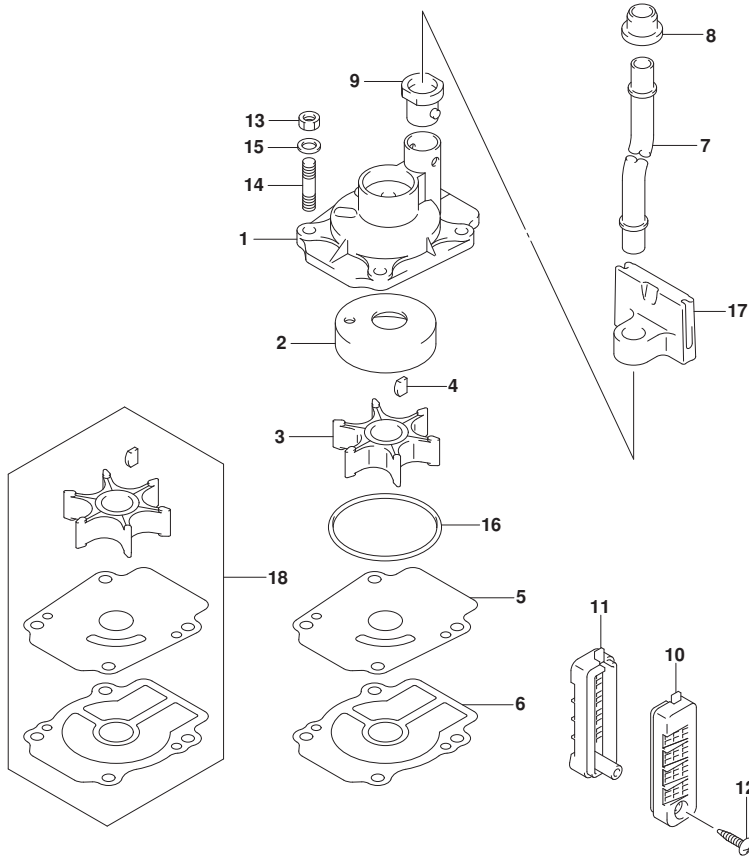


FIG.162A

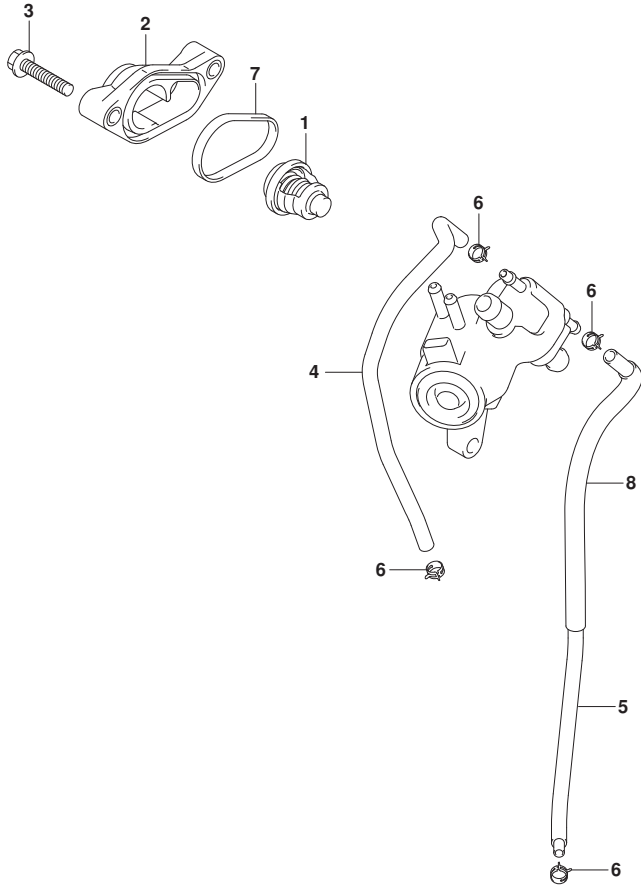


FIG.162A (1-E-3) THERMOSTAT

REF NO.	PART NO.	DESCRIPTION	Q'TY	REMARKS
1	17670-94J00	THERMOSTAT, WATER (60C)	1	
2	17680-94L00	COVER, THERMOSTAT	1	
3	01550-0630C	BOLT	2	
4	17712-94L00	HOSE, WATER (COOLER TO IND)	1	
5	15211-91J00-350	HOSE, WATER (HOUSING TO COOLER)	1	
6	09401-08413	CLIP	4	
7	17685-94L00	SEAL, THERMOSTAT COVER	1	
8	18498-94JL0-160	PROTECTOR, WATER HOSE (ID:12,OD:15,L:160)	1	



FIG.163A

FIG.163A (1-E-4) THROTTLE BODY

REF NO.	PART NO.	DESCRIPTION	Q'TY	REMARKS
1	13300-94L00	BODY ASSY, THROTTLE	1	
2	01550-0620C	BOLT	2	

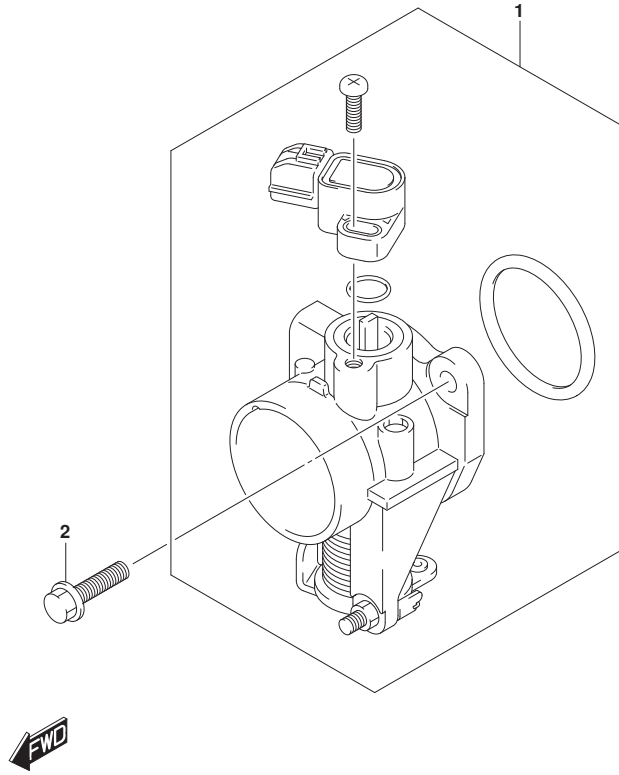


FIG.166A

FIG.166A (1-E-5) THROTTLE CONTROL (DF25A P01)

REF NO.	PART NO.	DESCRIPTION	Q'TY	REMARKS
1	19137-94L00	ROD, THROTTLE NO.2	1	
2	19140-94L11	DRUM, THROTTLE CONTROL	1	
3	19184-94L00	HOLDER, THROTTLE CABLE	1	
4	09160-06046	WASHER (6.5X20X1.5)	1	
5	09180-06230	SPACER (6.2X12.6X12.5)	1	
6	01550-0616C	BOLT	1	
7	01550-0630C	BOLT	1	

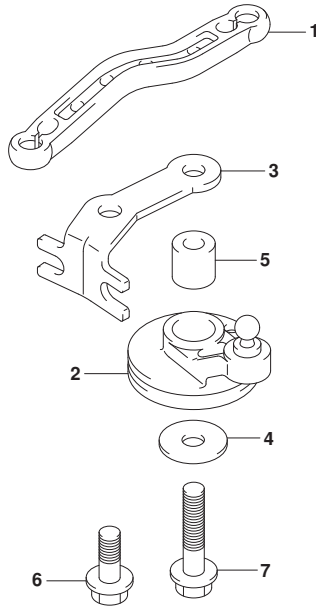


FIG.166B

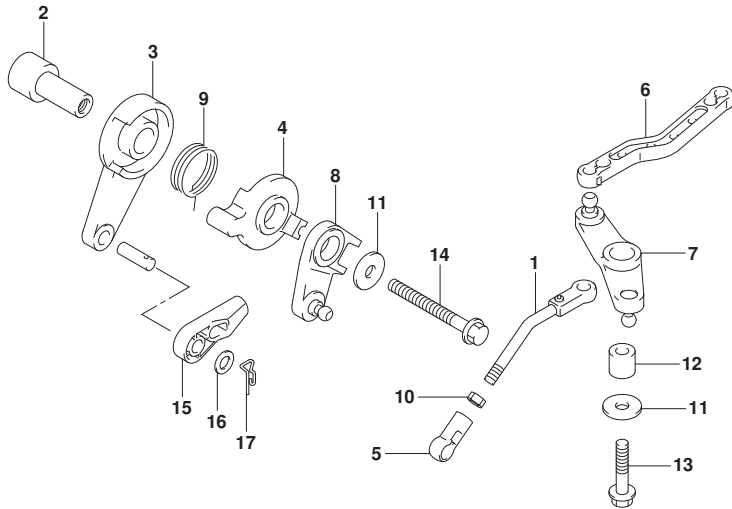


FIG.166B (1-E-6) THROTTLE CONTROL (DF25AR P01)

REF NO.	PART NO.	DESCRIPTION	Q'TY	REMARKS
1	13510-94L00	ROD, THROTTLE NO.1	1	
2	19116-94L00	HOLDER, THROTTLE LEVER	1	
3	19120-99J11	LEVER, THROTTLE CONTROL	1	
4	19122-99J00	LEVER, INTERLINK THROTTLE NO.2	1	
5	19131-95502	CONNECTOR	1	
6	19137-94L00	ROD, THROTTLE NO.2	1	
7	19140-94L00	LEVER, THROTTLE NO.2	1	
8	19140-94L20	LEVER, THROTTLE CONTROL NO.2	1	
9	19185-99J00	SPRING, THROTTLE LEVER	1	
10	09140-05005	NUT	1	
11	09160-06046	WASHER (6.5X20X1.5)	2	
12	09180-06230	SPACER (6.2X12.6X12.5)	1	
13	01550-0625C	BOLT	1	
14	01550-06557	BOLT	1	
15	67467-89J01	CONNECTOR	1	
16	09160-06055	WASHER (7X12X1)	1	
17	09385-06012	CLIP	1	

FIG.166C

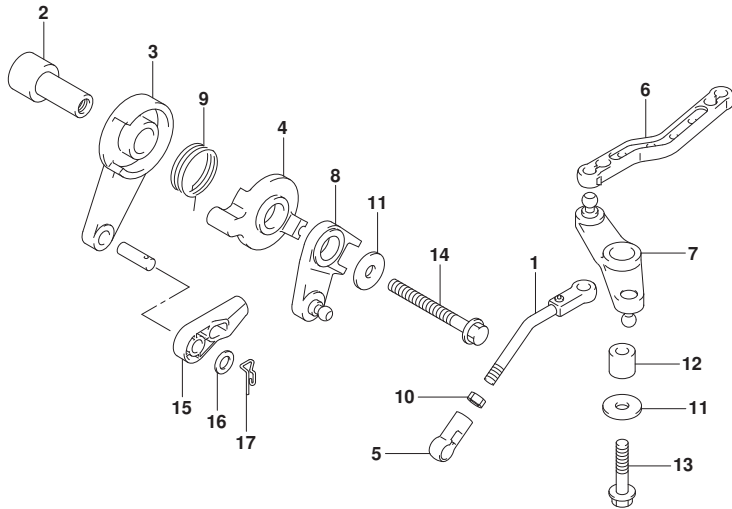


FIG.166C (1-E-7) THROTTLE CONTROL (DF25AT P01)

REF NO.	PART NO.	DESCRIPTION	Q'TY	REMARKS
1	13510-94L00	ROD, THROTTLE NO.1	1	
2	19116-94L00	HOLDER, THROTTLE LEVER	1	
3	19120-99J11	LEVER, THROTTLE CONTROL	1	
4	19122-99J00	LEVER, INTERLINK THROTTLE NO.2	1	
5	19131-95502	CONNECTOR	1	
6	19137-94L00	ROD, THROTTLE NO.2	1	
7	19140-94L00	LEVER, THROTTLE NO.2	1	
8	19140-94L20	LEVER, THROTTLE CONTROL NO.2	1	
9	19185-99J00	SPRING, THROTTLE LEVER	1	
10	09140-05005	NUT	1	
11	09160-06046	WASHER (6.5X20X1.5)	2	
12	09180-06230	SPACER (6.2X12.6X12.5)	1	
13	01550-0625C	BOLT	1	
14	01550-06557	BOLT	1	
15	67467-89J01	CONNECTOR	1	
16	09160-06055	WASHER (7X12X1)	1	
17	09385-06012	CLIP	1	

FIG.166D

FIG.166D (1-E-8) THROTTLE CONTROL (DF25ATH P01)

REF NO.	PART NO.	DESCRIPTION	Q'TY	REMARKS
1	19137-94L00	ROD, THROTTLE NO.2	1	
2	19140-94L11	DRUM, THROTTLE CONTROL	1	
3	19184-94L00	HOLDER, THROTTLE CABLE	1	
4	09160-06046	WASHER (6.5X20X1.5)	1	
5	09180-06230	SPACER (6.2X12.6X12.5)	1	
6	01550-0616C	BOLT	1	
7	01550-0630C	BOLT	1	

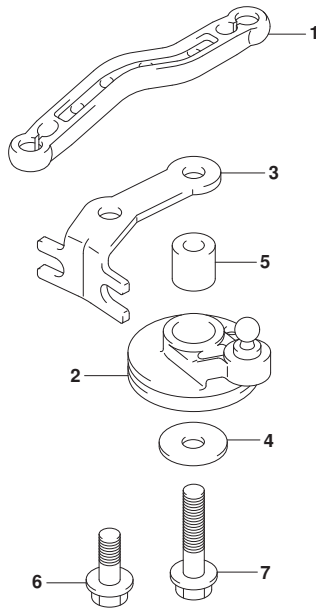


FIG.166E

FIG.166E (1-E-9) THROTTLE CONTROL (DF30A P40)

REF NO.	PART NO.	DESCRIPTION	Q'TY	REMARKS
1	19137-94L00	ROD, THROTTLE NO.2	1	
2	19140-94L11	DRUM, THROTTLE CONTROL	1	
3	19184-94L00	HOLDER, THROTTLE CABLE	1	
4	09160-06046	WASHER (6.5X20X1.5)	1	
5	09180-06230	SPACER (6.2X12.6X12.5)	1	
6	01550-0616C	BOLT	1	
7	01550-0630C	BOLT	1	

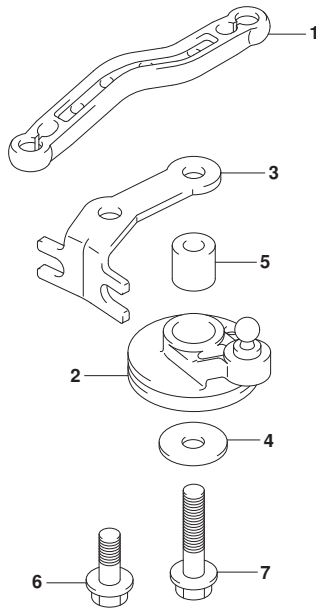


FIG.166F

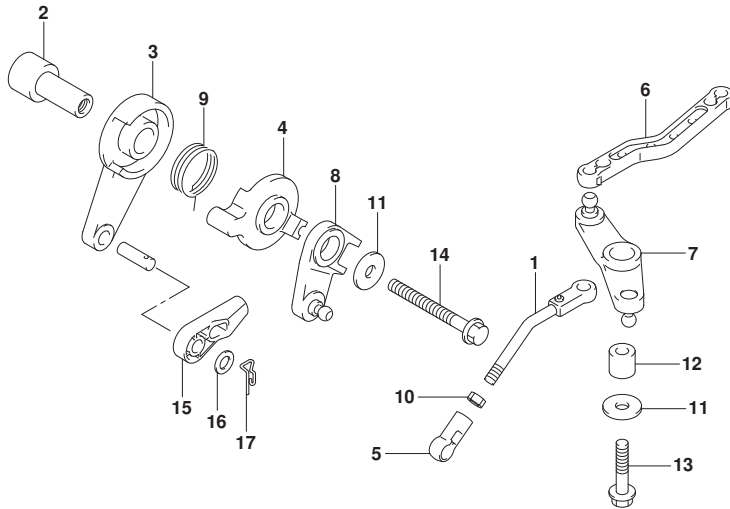


FIG.166F (1-E-10) THROTTLE CONTROL (DF30AR P01)

REF NO.	PART NO.	DESCRIPTION	Q'TY	REMARKS
1	13510-94L00	ROD, THROTTLE NO.1	1	
2	19116-94L00	HOLDER, THROTTLE LEVER	1	
3	19120-99J11	LEVER, THROTTLE CONTROL	1	
4	19122-99J00	LEVER, INTERLINK THROTTLE NO.2	1	
5	19131-95502	CONNECTOR	1	
6	19137-94L00	ROD, THROTTLE NO.2	1	
7	19140-94L00	LEVER, THROTTLE NO.2	1	
8	19140-94L20	LEVER, THROTTLE CONTROL NO.2	1	
9	19185-99J00	SPRING, THROTTLE LEVER	1	
10	09140-05005	NUT	1	
11	09160-06046	WASHER (6.5X20X1.5)	2	
12	09180-06230	SPACER (6.2X12.6X12.5)	1	
13	01550-0625C	BOLT	1	
14	01550-06557	BOLT	1	
15	67467-89J01	CONNECTOR	1	
16	09160-06055	WASHER (7X12X1)	1	
17	09385-06012	CLIP	1	

FIG.166G

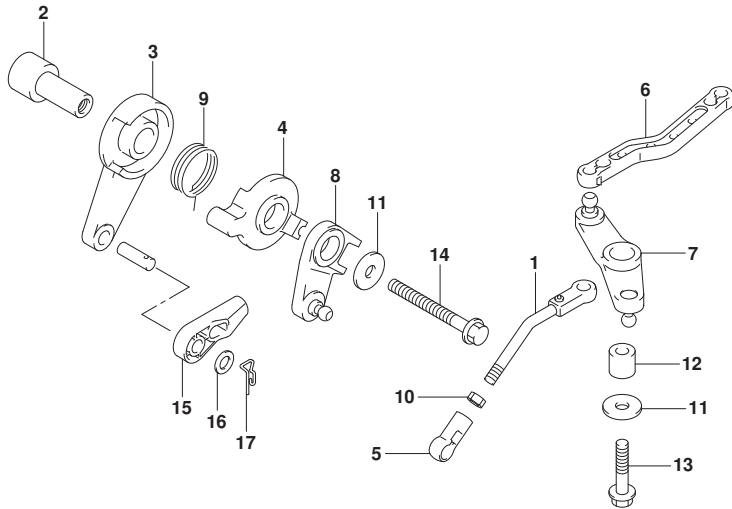


FIG.166G (1-E-11) THROTTLE CONTROL (DF30AT P01)

REF NO.	PART NO.	DESCRIPTION	Q'TY	REMARKS
1	13510-94L00	ROD, THROTTLE NO.1	1	
2	19116-94L00	HOLDER, THROTTLE LEVER	1	
3	19120-99J11	LEVER, THROTTLE CONTROL	1	
4	19122-99J00	LEVER, INTERLINK THROTTLE NO.2	1	
5	19131-95502	CONNECTOR	1	
6	19137-94L00	ROD, THROTTLE NO.2	1	
7	19140-94L00	LEVER, THROTTLE NO.2	1	
8	19140-94L20	LEVER, THROTTLE CONTROL NO.2	1	
9	19185-99J00	SPRING, THROTTLE LEVER	1	
10	09140-05005	NUT	1	
11	09160-06046	WASHER (6.5X20X1.5)	2	
12	09180-06230	SPACER (6.2X12.6X12.5)	1	
13	01550-0625C	BOLT	1	
14	01550-06557	BOLT	1	
15	67467-89J01	CONNECTOR	1	
16	09160-06055	WASHER (7X12X1)	1	
17	09385-06012	CLIP	1	

FIG.166H

FIG.166H (1-E-12) THROTTLE CONTROL (DF30ATH P01)

REF NO.	PART NO.	DESCRIPTION	Q'TY	REMARKS
1	19137-94L00	ROD, THROTTLE NO.2	1	
2	19140-94L11	DRUM, THROTTLE CONTROL	1	
3	19184-94L00	HOLDER, THROTTLE CABLE	1	
4	09160-06046	WASHER (6.5X20X1.5)	1	
5	09180-06230	SPACER (6.2X12.6X12.5)	1	
6	01550-0616C	BOLT	1	
7	01550-0630C	BOLT	1	

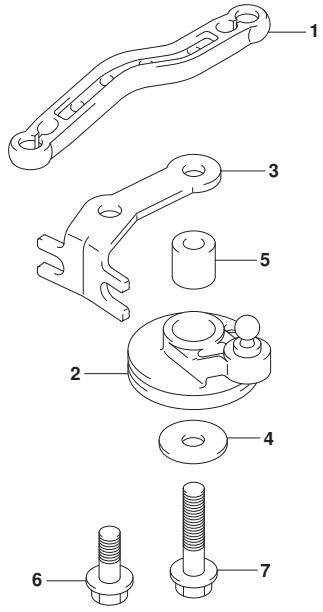


FIG.166J

FIG.166J (1-E-13) THROTTLE CONTROL (DF30AQ P01)

REF NO.	PART NO.	DESCRIPTION	Q'TY	REMARKS
1	19137-94L00	ROD, THROTTLE NO.2	1	
2	19140-94L11	DRUM, THROTTLE CONTROL	1	
3	19184-94L00	HOLDER, THROTTLE CABLE	1	
4	09160-06046	WASHER (6.5X20X1.5)	1	
5	09180-06230	SPACER (6.2X12.6X12.5)	1	
6	01550-0616C	BOLT	1	
7	01550-0630C	BOLT	1	

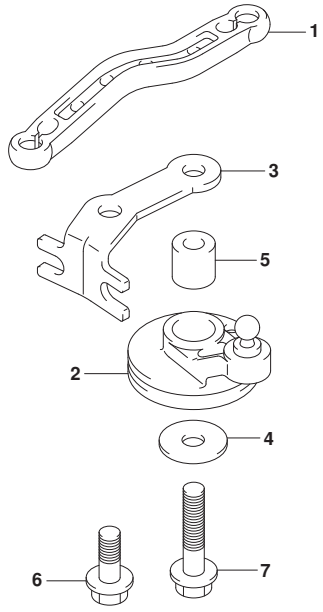


FIG.167A

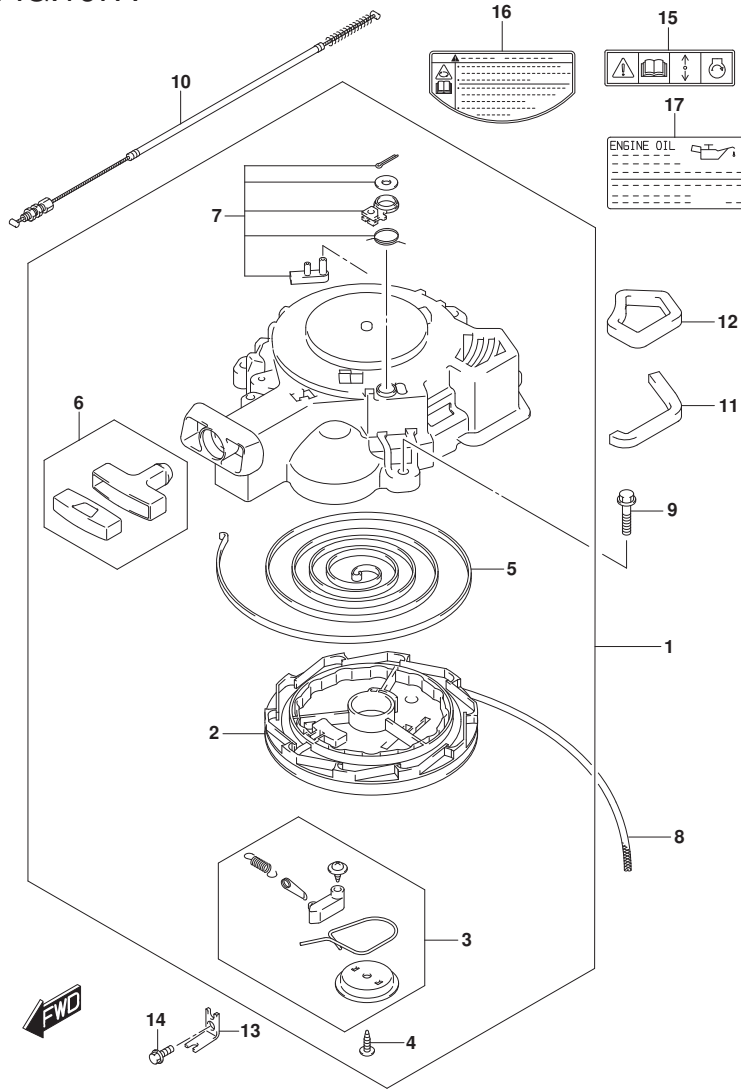


FIG.167A (1-E-14) RECOIL STARTER

REF NO.	PART NO.	DESCRIPTION	Q'TY	REMARKS
1	18100-94L00	STARTER ASSY, RECOIL	1	
2	18121-94JL0	.REEL	1	
3	18130-93E01	.RATCHET SET	1	
4	18132-89L00	.SCREW	1	
5	18142-93E00	.SPRING, SPIRAL	1	
6	18210-95L00	.GRIP ASSY	1	
7	18280-93E00	.NSI SET	1	
8	99000-81158-50M	STARTER ROPE 5MMDIA, 50M ROLE	1	OPT L:50000->1500
9	01550-0630C	BOLT	3	
10	18290-94L00	CABLE ASSY, NSI	1	
11	18193-94L00	SEAL, AIR RECOIL LOWER	1	
12	18194-94L00	SEAL, AIR RECOIL UPPER	1	
13	18295-94L00	BRACKET, NSI CABLE	1	
14	01550-0616C	BOLT	1	
15	69711-93E10	LABEL, S.I.G.P.	1	
16	61472-97J00	LABEL, RECOIL, STARTER	1	
17	61494-94L01	LABEL, OIL / CLEARANCE	1	

FIG.175A

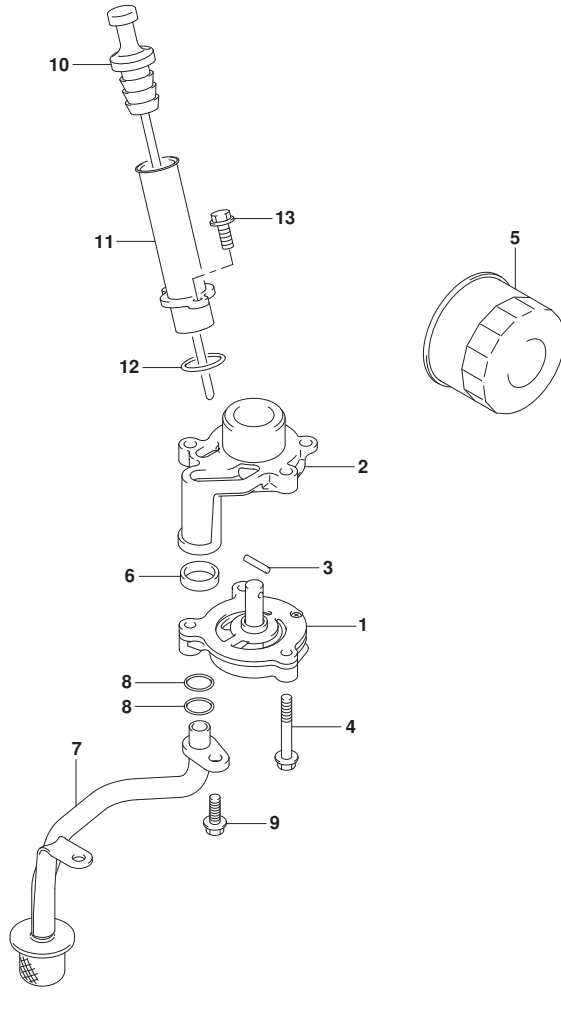


FIG.175A (1-E-15) OIL PUMP

REF NO.	PART NO.	DESCRIPTION	Q'TY	REMARKS
1	16400-94L00	PUMP ASSY, OIL	1	
2	16431-94L00	BLOCK, OIL GALLERY	1	
3	59262-94J00	PIN, OIL PUMP	1	
4	01547-0640A	BOLT	3	
5	16510-87J00	FILTER ASSY, OIL	1	
6	16519-94L00	SEAL, ENGINE HOLDER	1	
7	16520-94L00	STRAINER, OIL	1	
8	09280-12012	O RING (D:2.4,ID:11.8)	2	
9	01550-0616A	BOLT	2	
10	16910-94L01	GAUGE, OIL LEVEL	1	
11	16930-94L00	GUIDE, OIL LEVEL GAUGE	1	
12	09280-21008	O RING (D:2.5,ID:21)	1	
13	01550-0616C	BOLT	2	

FIG.206A

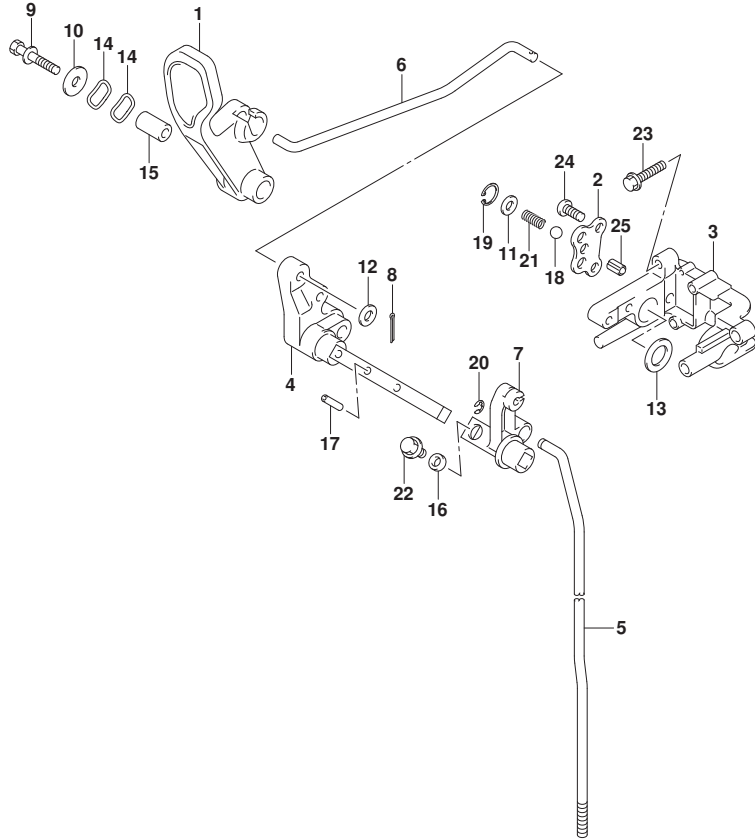


FIG.206A (1-F-2) CLUTCH ROD (DF25A P01)

REF NO.	PART NO.	DESCRIPTION	Q'TY	REMARKS
1	21111-89L00	LEVER, CLUTCH	1	
2	21122-94L00	PLATE, CLUTCH NOTCH	1	
3	21151-94L00	HOLDER, CLUTCH SHAFT	1	
4	21210-94L00	SHAFT, CLUTCH LEVER	1	
5-1	23111-94L00	ROD, CLUTCH (S)	1	W/TRANSOM(S)
5-2	23111-94L10	ROD, CLUTCH (L)	1	W/TRANSOM(L)
6	23115-94L00	LINK, CLUTCH LEVER	1	
7	23211-94L00	ARM, CLUTCH ROD	1	
8	09204-01002	PIN	1	
9	09116-06234	BOLT (6X35)	1	
10	09160-06046	WASHER (6.5X20X1.5)	1	
11	09160-06082	WASHER (6.5X13X1.0)	1	
12	09160-06094	WASHER (6.5X15X1.0)	1	
13	09160-14071	WASHER (13.3X23X1)	1	
14	09164-14008	WASHER	2	
15	09180-06186	SPACER (6.2X12.6X21)	1	
16	09180-06362	SPACER (6.5X10.5X4)	1	
17	09205-04002	SPRING PIN (4X20)	1	
18	09260-10006	BALL	1	
19	09381-14004	CIRCLIP	1	
20	09383-04002	E RING	1	
21	09440-07080	SPRING	1	
22	01550-0612C	BOLT	1	
23	01550-0625C	BOLT	2	
24	02112-06127	SCREW	2	
25	37724-99J00	ROD, SWITCH PUSH	1	



FIG.206B

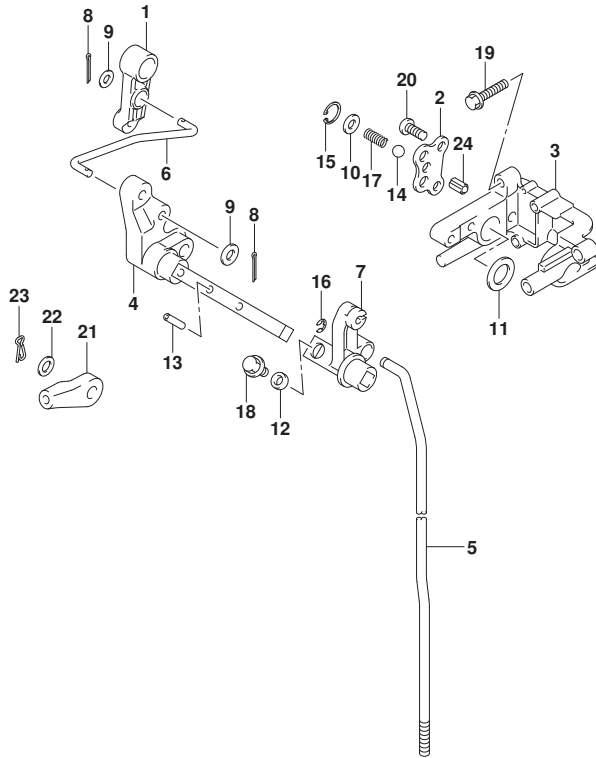


FIG.206B (1-F-3) CLUTCH ROD (DF25AR P01)

REF NO.	PART NO.	DESCRIPTION	Q'TY	REMARKS
1	21110-94L00	LEVER, CLUTCH CONTROL	1	
2	21122-94L00	PLATE, CLUTCH NOTCH	1	
3	21151-94L00	HOLDER, CLUTCH SHAFT	1	
4	21210-94L00	SHAFT, CLUTCH LEVER	1	
5-1	23111-94L00	ROD, CLUTCH (S)	1	W/TRANSOM(S)
5-2	23111-94L10	ROD, CLUTCH (L)	1	W/TRANSOM(L)
6	23115-94L10	LINK, CLUTCH LEVER	1	
7	23211-94L00	ARM, CLUTCH ROD	1	
8	09204-01002	PIN	2	
9	09160-05029	WASHER (5.5X12X0.8)	2	
10	09160-06082	WASHER (6.5X13X1.0)	1	
11	09160-14071	WASHER (13.3X23X1)	1	
12	09180-06362	SPACER (6.5X10.5X4)	1	
13	09205-04002	SPRING PIN (4X20)	1	
14	09260-10006	BALL	1	
15	09381-14004	CIRCLIP	1	
16	09383-04002	E RING	1	
17	09440-07080	SPRING	1	
18	01550-0612C	BOLT	1	
19	01550-0625C	BOLT	2	
20	02112-06127	SCREW	2	
21	67467-89J01	CONNECTOR	1	
22	09160-06055	WASHER (7X12X1)	1	
23	09385-06012	CLIP	1	
24	37724-99J00	ROD, SWITCH PUSH	1	



FIG.206C

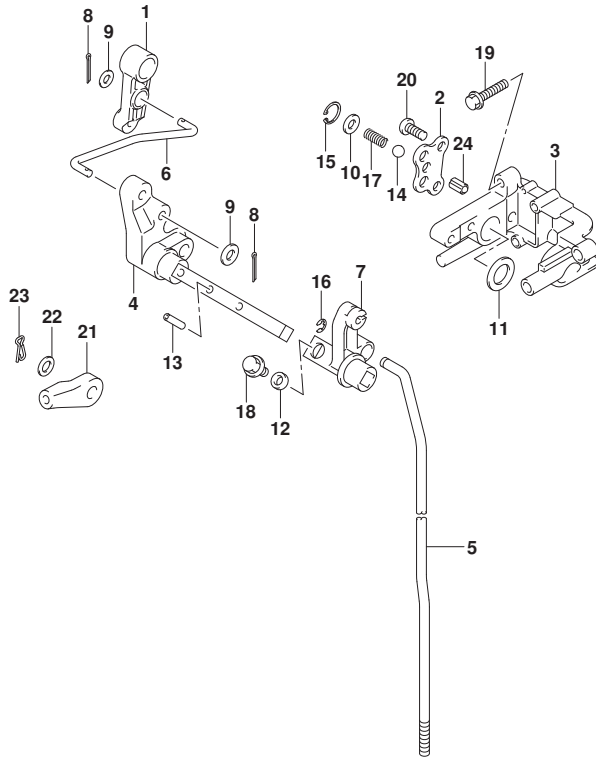


FIG.206C (1-F-4) CLUTCH ROD (DF25AT P01)

REF NO.	PART NO.	DESCRIPTION	Q'TY	REMARKS
1	21110-94L00	LEVER, CLUTCH CONTROL	1	
2	21122-94L00	PLATE, CLUTCH NOTCH	1	
3	21151-94L00	HOLDER, CLUTCH SHAFT	1	
4	21210-94L00	SHAFT, CLUTCH LEVER	1	
5-1	23111-94L00	ROD, CLUTCH (S)	1	W/TRANSOM(S)
5-2	23111-94L10	ROD, CLUTCH (L)	1	W/TRANSOM(L)
6	23115-94L10	LINK, CLUTCH LEVER	1	
7	23211-94L00	ARM, CLUTCH ROD	1	
8	09204-01002	PIN	2	
9	09160-05029	WASHER (5.5X12X0.8)	2	
10	09160-06082	WASHER (6.5X13X1.0)	1	
11	09160-14071	WASHER (13.3X23X1)	1	
12	09180-06362	SPACER (6.5X10.5X4)	1	
13	09205-04002	SPRING PIN (4X20)	1	
14	09260-10006	BALL	1	
15	09381-14004	CIRCLIP	1	
16	09383-04002	E RING	1	
17	09440-07080	SPRING	1	
18	01550-0612C	BOLT	1	
19	01550-0625C	BOLT	2	
20	02112-06127	SCREW	2	
21	67467-89J01	CONNECTOR	1	
22	09160-06055	WASHER (7X12X1)	1	
23	09385-06012	CLIP	1	
24	37724-99J00	ROD, SWITCH PUSH	1	



FIG.206D

FIG.206D (1-F-5) CLUTCH ROD (DF25ATH P01)

REF NO.	PART NO.	DESCRIPTION	Q'TY	REMARKS
1	21111-89L00	LEVER, CLUTCH	1	
2	21122-94L00	PLATE, CLUTCH NOTCH	1	
3	21151-94L00	HOLDER, CLUTCH SHAFT	1	
4	21210-94L00	SHAFT, CLUTCH LEVER	1	
5-1	23111-94L00	ROD, CLUTCH (S)	1	W/TRANSOM(S)
5-2	23111-94L10	ROD, CLUTCH (L)	1	W/TRANSOM(L)
6	23115-94L00	LINK, CLUTCH LEVER	1	
7	23211-94L00	ARM, CLUTCH ROD	1	
8	09204-01002	PIN	1	
9	09116-06234	BOLT (6X35)	1	
10	09160-06046	WASHER (6.5X20X1.5)	1	
11	09160-06082	WASHER (6.5X13X1.0)	1	
12	09160-06094	WASHER (6.5X15X1.0)	1	
13	09160-14071	WASHER (13.3X23X1)	1	
14	09164-14008	WASHER	2	
15	09180-06186	SPACER (6.2X12.6X21)	1	
16	09180-06362	SPACER (6.5X10.5X4)	1	
17	09205-04002	SPRING PIN (4X20)	1	
18	09260-10006	BALL	1	
19	09381-14004	CIRCLIP	1	
20	09383-04002	E RING	1	
21	09440-07080	SPRING	1	
22	01550-0612C	BOLT	1	
23	01550-0625C	BOLT	2	
24	02112-06127	SCREW	2	
25	37724-99J00	ROD, SWITCH PUSH	1	

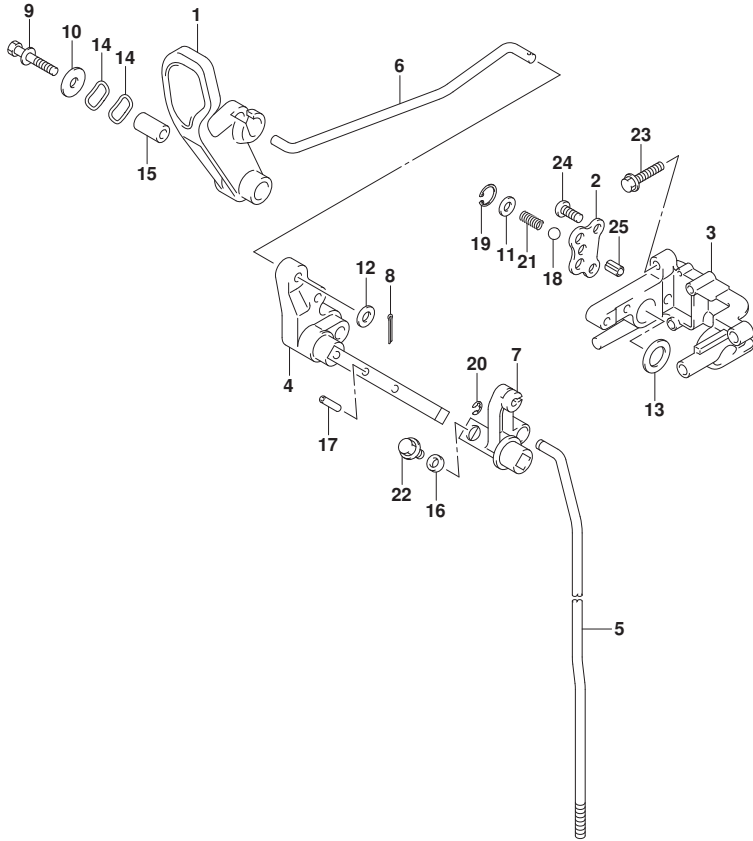
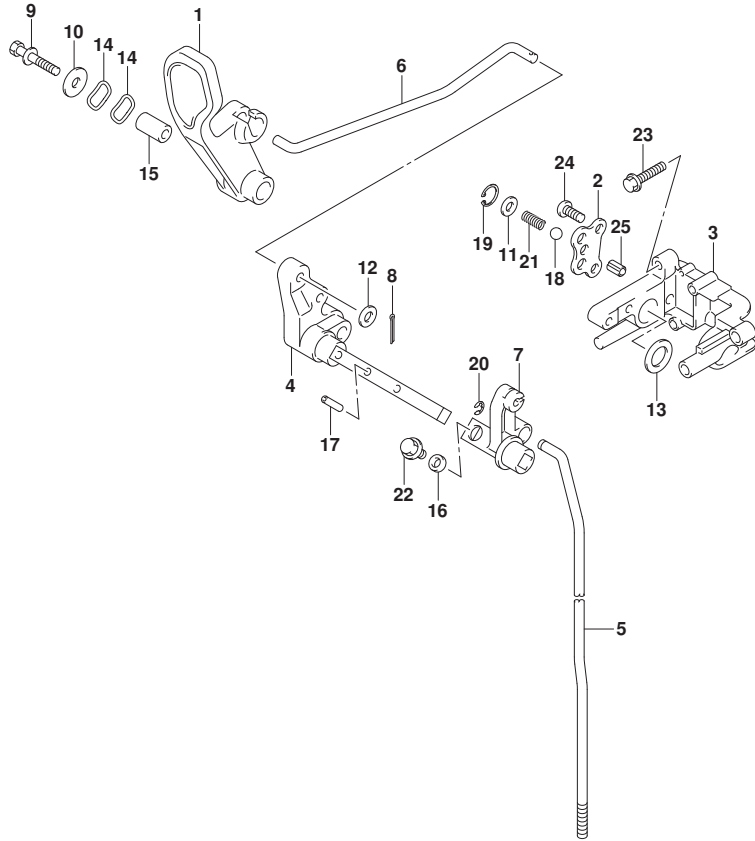


FIG.206E

FIG.206E (1-F-6) CLUTCH ROD (DF30A P40)



REF NO.	PART NO.	DESCRIPTION	Q'TY	REMARKS
1	21111-89L00	LEVER, CLUTCH	1	
2	21122-94L00	PLATE, CLUTCH NOTCH	1	
3	21151-94L00	HOLDER, CLUTCH SHAFT	1	
4	21210-94L00	SHAFT, CLUTCH LEVER	1	
5-1	23111-94L00	ROD, CLUTCH (S)	1	W/TRANSOM(S)
5-2	23111-94L10	ROD, CLUTCH (L)	1	W/TRANSOM(L)
6	23115-94L00	LINK, CLUTCH LEVER	1	
7	23211-94L00	ARM, CLUTCH ROD	1	
8	09204-01002	PIN	1	
9	09116-06234	BOLT (6X35)	1	
10	09160-06046	WASHER (6.5X20X1.5)	1	
11	09160-06082	WASHER (6.5X13X1.0)	1	
12	09160-06094	WASHER (6.5X15X1.0)	1	
13	09160-14071	WASHER (13.3X23X1)	1	
14	09164-14008	WASHER	2	
15	09180-06186	SPACER (6.2X12.6X21)	1	
16	09180-06362	SPACER (6.5X10.5X4)	1	
17	09205-04002	SPRING PIN (4X20)	1	
18	09260-10006	BALL	1	
19	09381-14004	CIRCLIP	1	
20	09383-04002	E RING	1	
21	09440-07080	SPRING	1	
22	01550-0612C	BOLT	1	
23	01550-0625C	BOLT	2	
24	02112-06127	SCREW	2	
25	37724-99J00	ROD, SWITCH PUSH	1	



FIG.206F

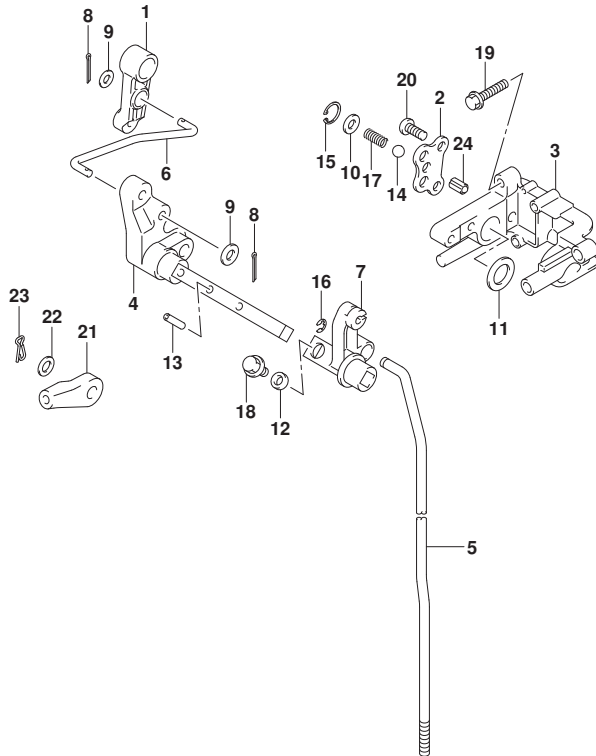


FIG.206F (1-F-7) CLUTCH ROD (DF30AR P01)

REF NO.	PART NO.	DESCRIPTION	Q'TY	REMARKS
1	21110-94L00	LEVER, CLUTCH CONTROL	1	
2	21122-94L00	PLATE, CLUTCH NOTCH	1	
3	21151-94L00	HOLDER, CLUTCH SHAFT	1	
4	21210-94L00	SHAFT, CLUTCH LEVER	1	
5-1	23111-94L00	ROD, CLUTCH (S)	1	W/TRANSOM(S)
5-2	23111-94L10	ROD, CLUTCH (L)	1	W/TRANSOM(L)
6	23115-94L10	LINK, CLUTCH LEVER	1	
7	23211-94L00	ARM, CLUTCH ROD	1	
8	09204-01002	PIN	2	
9	09160-05029	WASHER (5.5X12X0.8)	2	
10	09160-06082	WASHER (6.5X13X1.0)	1	
11	09160-14071	WASHER (13.3X23X1)	1	
12	09180-06362	SPACER (6.5X10.5X4)	1	
13	09205-04002	SPRING PIN (4X20)	1	
14	09260-10006	BALL	1	
15	09381-14004	CIRCLIP	1	
16	09383-04002	E RING	1	
17	09440-07080	SPRING	1	
18	01550-0612C	BOLT	1	
19	01550-0625C	BOLT	2	
20	02112-06127	SCREW	2	
21	67467-89J01	CONNECTOR	1	
22	09160-06055	WASHER (7X12X1)	1	
23	09385-06012	CLIP	1	
24	37724-99J00	ROD, SWITCH PUSH	1	



FIG.206G

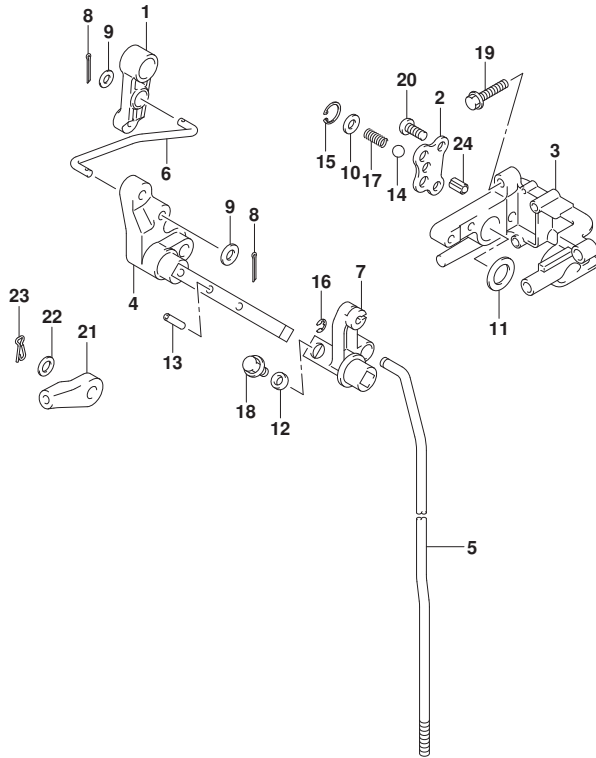


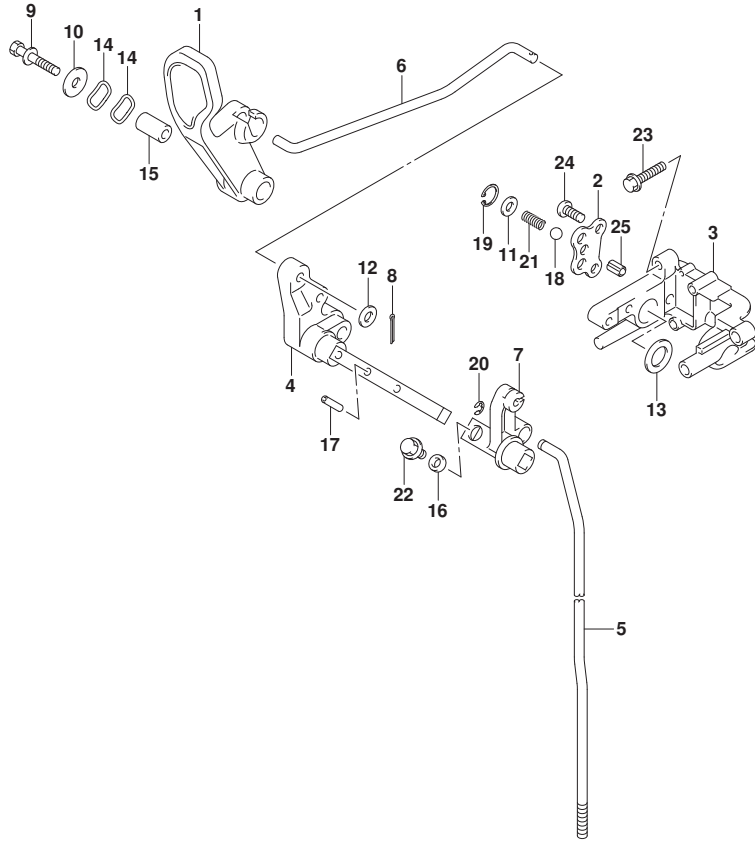
FIG.206G (1-F-8) CLUTCH ROD (DF30AT P01)

REF NO.	PART NO.	DESCRIPTION	Q'TY	REMARKS
1	21110-94L00	LEVER, CLUTCH CONTROL	1	
2	21122-94L00	PLATE, CLUTCH NOTCH	1	
3	21151-94L00	HOLDER, CLUTCH SHAFT	1	
4	21210-94L00	SHAFT, CLUTCH LEVER	1	
5-1	23111-94L00	ROD, CLUTCH (S)	1	W/TRANSOM(S)
5-2	23111-94L10	ROD, CLUTCH (L)	1	W/TRANSOM(L)
6	23115-94L10	LINK, CLUTCH LEVER	1	
7	23211-94L00	ARM, CLUTCH ROD	1	
8	09204-01002	PIN	2	
9	09160-05029	WASHER (5.5X12X0.8)	2	
10	09160-06082	WASHER (6.5X13X1.0)	1	
11	09160-14071	WASHER (13.3X23X1)	1	
12	09180-06362	SPACER (6.5X10.5X4)	1	
13	09205-04002	SPRING PIN (4X20)	1	
14	09260-10006	BALL	1	
15	09381-14004	CIRCLIP	1	
16	09383-04002	E RING	1	
17	09440-07080	SPRING	1	
18	01550-0612C	BOLT	1	
19	01550-0625C	BOLT	2	
20	02112-06127	SCREW	2	
21	67467-89J01	CONNECTOR	1	
22	09160-06055	WASHER (7X12X1)	1	
23	09385-06012	CLIP	1	
24	37724-99J00	ROD, SWITCH PUSH	1	



FIG.206H

FIG.206H (1-F-9) CLUTCH ROD (DF30ATH P01)

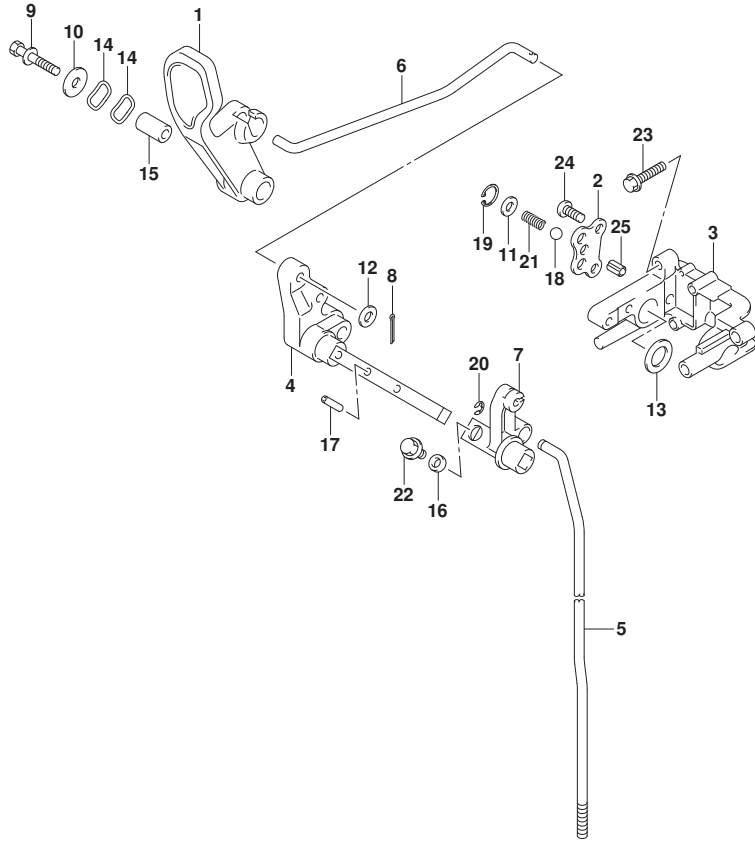


REF NO.	PART NO.	DESCRIPTION	Q'TY	REMARKS
1	21111-89L00	LEVER, CLUTCH	1	
2	21122-94L00	PLATE, CLUTCH NOTCH	1	
3	21151-94L00	HOLDER, CLUTCH SHAFT	1	
4	21210-94L00	SHAFT, CLUTCH LEVER	1	
5-1	23111-94L00	ROD, CLUTCH (S)	1	W/TRANSOM(S)
5-2	23111-94L10	ROD, CLUTCH (L)	1	W/TRANSOM(L)
6	23115-94L00	LINK, CLUTCH LEVER	1	
7	23211-94L00	ARM, CLUTCH ROD	1	
8	09204-01002	PIN	1	
9	09116-06234	BOLT (6X35)	1	
10	09160-06046	WASHER (6.5X20X1.5)	1	
11	09160-06082	WASHER (6.5X13X1.0)	1	
12	09160-06094	WASHER (6.5X15X1.0)	1	
13	09160-14071	WASHER (13.3X23X1)	1	
14	09164-14008	WASHER	2	
15	09180-06186	SPACER (6.2X12.6X21)	1	
16	09180-06362	SPACER (6.5X10.5X4)	1	
17	09205-04002	SPRING PIN (4X20)	1	
18	09260-10006	BALL	1	
19	09381-14004	CIRCLIP	1	
20	09383-04002	E RING	1	
21	09440-07080	SPRING	1	
22	01550-0612C	BOLT	1	
23	01550-0625C	BOLT	2	
24	02112-06127	SCREW	2	
25	37724-99J00	ROD, SWITCH PUSH	1	



FIG.206J

FIG.206J (1-F-10) CLUTCH ROD (DF30AQ P01)



REF NO.	PART NO.	DESCRIPTION	Q'TY	REMARKS
1	21111-89L00	LEVER, CLUTCH	1	
2	21122-94L00	PLATE, CLUTCH NOTCH	1	
3	21151-94L00	HOLDER, CLUTCH SHAFT	1	
4	21210-94L00	SHAFT, CLUTCH LEVER	1	
5-1	23111-94L00	ROD, CLUTCH (S)	1	W/TRANSOM(S)
5-2	23111-94L10	ROD, CLUTCH (L)	1	W/TRANSOM(L)
6	23115-94L00	LINK, CLUTCH LEVER	1	
7	23211-94L00	ARM, CLUTCH ROD	1	
8	09204-01002	PIN	1	
9	09116-06234	BOLT (6X35)	1	
10	09160-06046	WASHER (6.5X20X1.5)	1	
11	09160-06082	WASHER (6.5X13X1.0)	1	
12	09160-06094	WASHER (6.5X15X1.0)	1	
13	09160-14071	WASHER (13.3X23X1)	1	
14	09164-14008	WASHER	2	
15	09180-06186	SPACER (6.2X12.6X21)	1	
16	09180-06362	SPACER (6.5X10.5X4)	1	
17	09205-04002	SPRING PIN (4X20)	1	
18	09260-10006	BALL	1	
19	09381-14004	CIRCLIP	1	
20	09383-04002	E RING	1	
21	09440-07080	SPRING	1	
22	01550-0612C	BOLT	1	
23	01550-0625C	BOLT	2	
24	02112-06127	SCREW	2	
25	37724-99J00	ROD, SWITCH PUSH	1	



FIG.210A

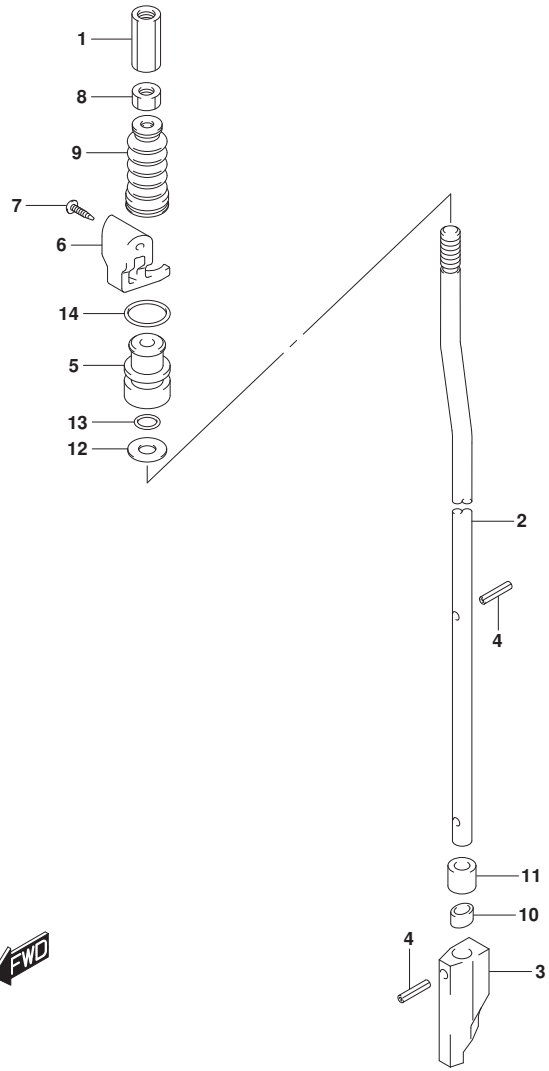
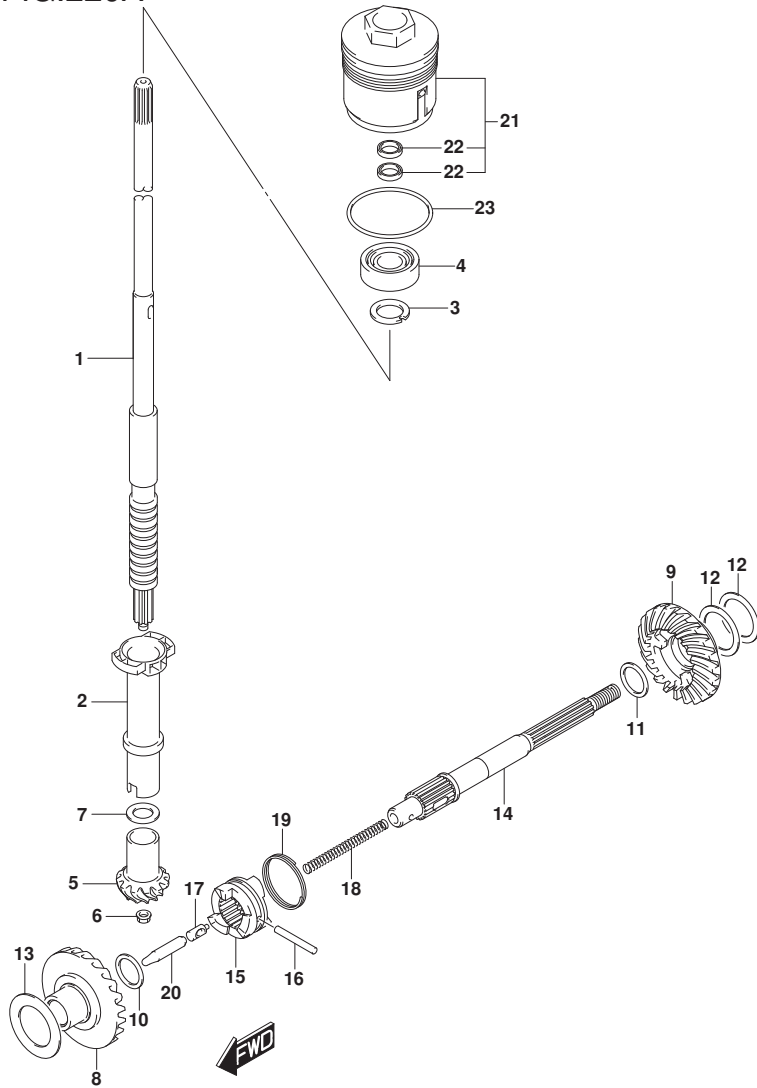


FIG.210A (1-F-11) SHIFT ROD

REF NO.	PART NO.	DESCRIPTION	QTY	REMARKS
1	23311-95J00	CONNECTOR, CLUTCH ROD	1	
2	25111-94L00	ROD, SHIFT(S&L)	1	
3	25311-94L00	CAM, SHIFT	1	
4	09205-02004	SPRING PIN (2.5X12)	2	
5	25211-94L00	GUIDE, SHIFT ROD	1	
6	25215-94L00	STOPPER, SHIFT ROD GUIDE	1	
7	03142-0416C	SCREW	2	
8	29141-93J00	NUT	1	
9	25222-94L00	BOOT, SHIFT ROD	1	
10	25231-96301	HOLDER, MAGNETO	1	
11	25232-96302	MAGNETO, GEAR CASE	1	
12	09160-06082	WASHER (6.5X13X1.0)	1	
13	09280-06012	O RING (D:1.7,ID:5.8)	1	
14	09280-13005	O RING (D:3.5,ID:12.8)	1	

FIG.220A



DF25A_30A_P01_017_220A
TRANSMISSION

FIG.220A (1-F-12) TRANSMISSION

REF NO.	PART NO.	DESCRIPTION	Q'TY	REMARKS
1-1	57110-94L01	SHAFT, DRIVE (S) (NT:10)	1	W/TRANSOM(S)
1-2	57110-94L11	SHAFT, DRIVE (L) (NT:10)	1	W/TRANSOM(L)
2	57133-94L00	COLLAR, DRIVE SHAFT	1	
3	09166-17005	WASHER	1	
4	09265-17002	BEARING (17X40X17.25)	1	
5	57311-91L00	PINION (NT:11)	1	
6	09159-08046	NUT	1	
7-1	09160-15030	WASHER (T:1.7)	1	
7-2	09160-15031	WASHER (T:1.8)	1	
7-3	09160-15032	WASHER (T:1.9)	1	
7-4	08211-15203	WASHER (T:2.0)	1	
7-5	09160-15033	WASHER (T:2.1)	1	
7-6	08211-15204	WASHER (T:2.2)	1	
7-7	09160-15053	WASHER (T:2.3)	1	
7-8	09160-15054	WASHER (T:2.4)	1	
8	57510-94L00	GEAR, FORWARD (NT:23)	1	
9	57521-94L00	GEAR, REVERSE (NT:23)	1	
10	09181-16008	SHIM (16X24X2)	1	FWD
11-1	09160-20068	WASHER (T:1.6)	1	REV
11-2	09160-20069	WASHER (T:1.8)	1	REV
11-3	09160-20070	WASHER (T:2.0)	1	REV
11-4	09160-20071	WASHER (T:2.2)	1	REV
11-5	09160-20072	WASHER (T:2.4)	1	REV
11-6	09160-20073	WASHER (T:2.6)	1	REV
12-1	08221-30404	SHIM (T:0.2)	2	REV
12-2	09181-30158	SHIM (T:0.5)	1	REV
12-3	09181-30162	SHIM (T:0.8)	1	REV
13-1	09181-25190	SHIM (T:0.8)	1	FWD
13-2	09181-25248	SHIM (T:0.9)	1	FWD
13-3	09181-25251	SHIM (T:1.0)	1	FWD
13-4	09160-25032	WASHER (T:1.1)	1	FWD
13-5	09160-25033	WASHER (T:1.2)	1	FWD
13-6	09160-25034	WASHER (T:1.3)	1	FWD
13-7	09160-25035	WASHER (T:1.4)	1	FWD

DF25A_30A_P01_017

FIG.220A

FIG.220A (1-F-13) TRANSMISSION

REF NO.	PART NO.	DESCRIPTION	Q'TY	REMARKS
13-8	09181-25268	SHIM (T:1.5)	1	FWD
14	57610-96311	SHAFT, PROPELLER	1	
15	57621-91L21	SHIFTER, CLUTCH DOG	1	
16	09202-05021	PIN (5X34)	1	
17	09209-08016	PIN	1	
18	09440-07074	SPRING	1	
19	09440-35004	SPRING	1	
20	57631-95JL0	ROD, PUSH	1	
21	56130-94L00	HOUSING, DRIVE SHAFT OIL SEAL	1	
22	09282-17006	.OIL SEAL (17X30X4.5)	2	
23	09280-50009	O RING (D:3.1,ID:48.7)	1	

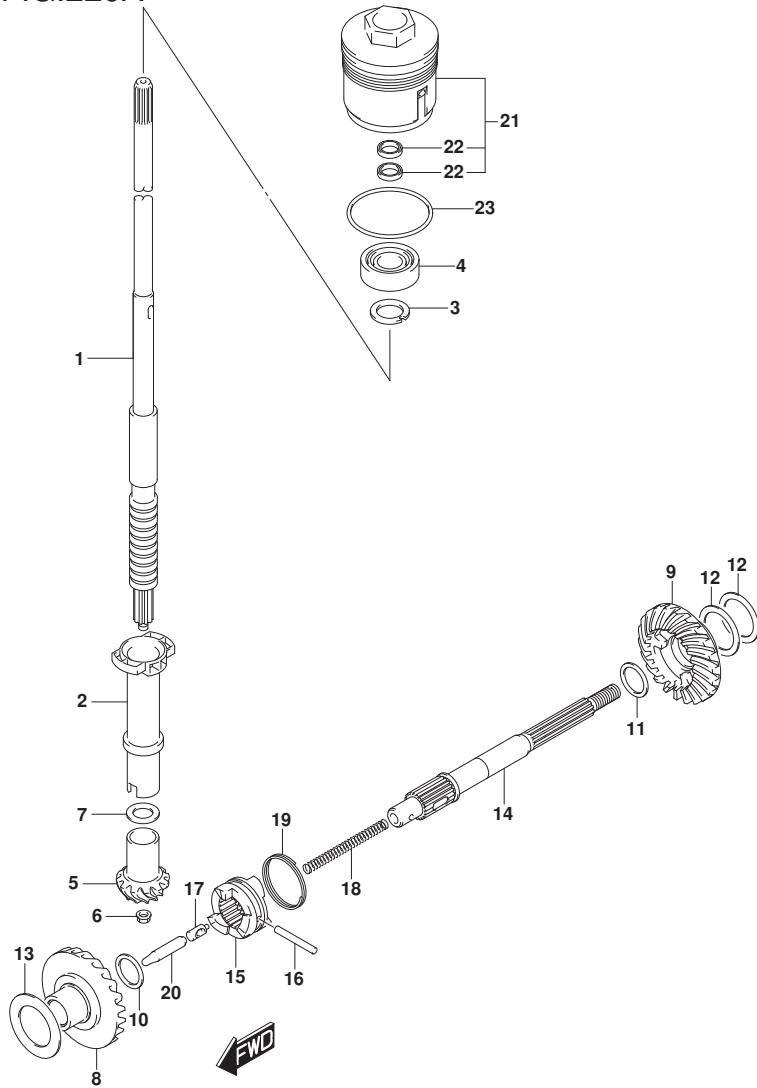


FIG.301A

FIG.301A (1-F-14) STARTING MOTOR (DF25A P01)

REF NO.	PART NO.	DESCRIPTION	Q'TY	REMARKS
1	31100-94401	MOTOR ASSY, STARTING	1	
2	31173-89J00	.HOLDER ASSY, BRUSH	1	
3	31131-96300	..BRUSH (+)	1	
4	31132-96300	..BRUSH (-)	1	
5	31135-89J00	..SPRING	2	
6	31281-93340	.BOLT, THROUGH	2	
7	31310-96300	.ARMATURE	1	
8	31312-96300	.STOPPER SET, PINION	1	
9	31320-94400	.PINION ASSY	1	
10	31360-96300	.WASHER SET	1	
11	31912-94L00	BAND, STARTER MOTOR	1	
12	31918-94401	DAMPER, LOWER	1	
13	33820-89E01	CABLE, PLUS TERM TO RELAY	1	
14	01550-06167	BOLT	2	
15	01550-08257	BOLT	2	
16	08310-00067	NUT	1	
17	08321-01067	WASHER, LOCK	1	

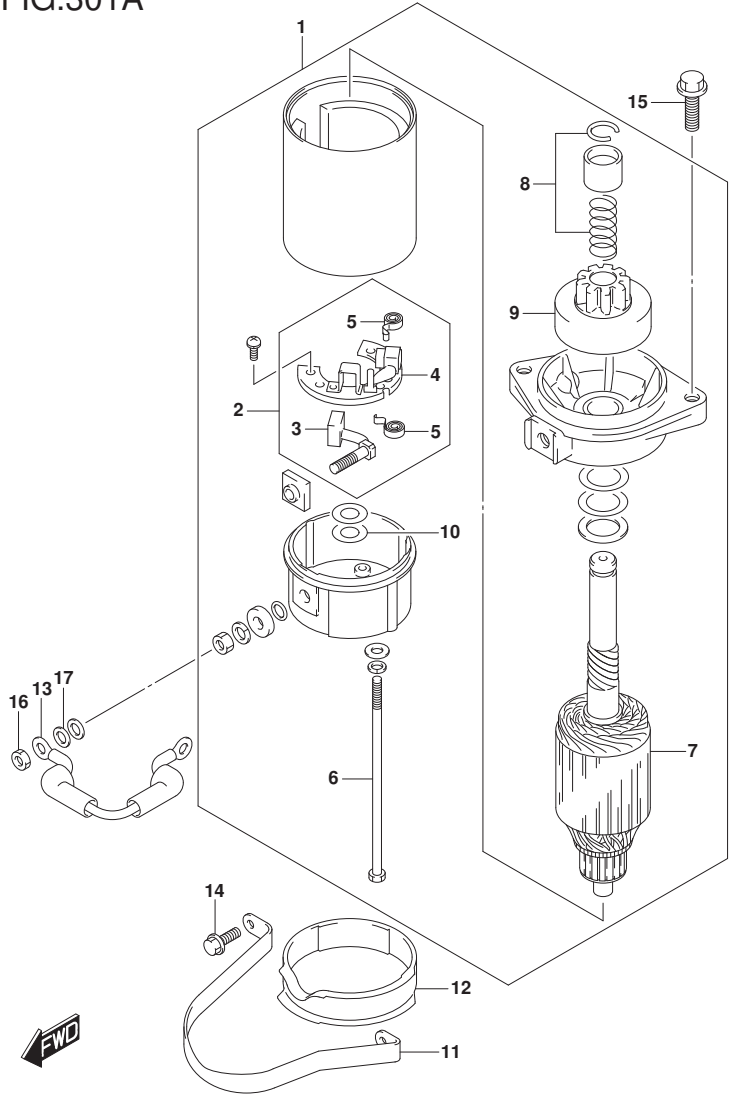


FIG.301B

FIG.301B (1-F-15) STARTING MOTOR (DF25AR P01)

REF NO.	PART NO.	DESCRIPTION	Q'TY	REMARKS
1	31100-94401	MOTOR ASSY, STARTING	1	
2	31173-89J00	.HOLDER ASSY, BRUSH	1	
3	31131-96300	..BRUSH (+)	1	
4	31132-96300	..BRUSH (-)	1	
5	31135-89J00	..SPRING	2	
6	31281-93340	.BOLT, THROUGH	2	
7	31310-96300	.ARMATURE	1	
8	31312-96300	.STOPPER SET, PINION	1	
9	31320-94400	.PINION ASSY	1	
10	31360-96300	.WASHER SET	1	
11	31912-94L00	BAND, STARTER MOTOR	1	
12	31918-94401	DAMPER, LOWER	1	
13	33820-89E01	CABLE, PLUS TERM TO RELAY	1	
14	01550-06167	BOLT	2	
15	01550-08257	BOLT	2	
16	08310-00067	NUT	1	
17	08321-01067	WASHER, LOCK	1	

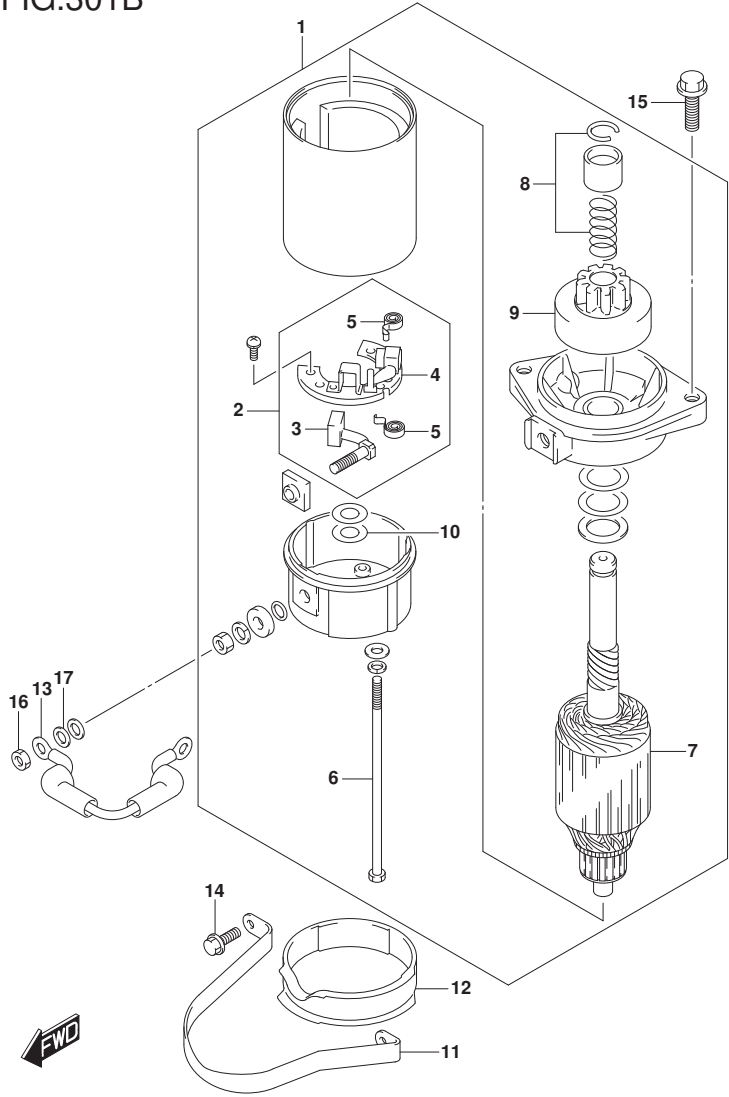


FIG.301C

FIG.301C (1-G-2) STARTING MOTOR (DF25AT P01)

REF NO.	PART NO.	DESCRIPTION	Q'TY	REMARKS
1	31100-94401	MOTOR ASSY, STARTING	1	
2	31173-89J00	.HOLDER ASSY, BRUSH	1	
3	31131-96300	..BRUSH (+)	1	
4	31132-96300	..BRUSH (-)	1	
5	31135-89J00	..SPRING	2	
6	31281-93340	.BOLT, THROUGH	2	
7	31310-96300	ARMATURE	1	
8	31312-96300	.STOPPER SET, PINION	1	
9	31320-94400	.PINION ASSY	1	
10	31360-96300	.WASHER SET	1	
11	31912-94L00	BAND, STARTER MOTOR	1	
12	31918-94401	DAMPER, LOWER	1	
13	33820-89E01	CABLE, PLUS TERM TO RELAY	1	
14	01550-06167	BOLT	2	
15	01550-08257	BOLT	2	
16	08310-00067	NUT	1	
17	08321-01067	WASHER, LOCK	1	
18	36617-94L00	BRACKET, HARNESS	1	
19	01550-0616C	BOLT	1	

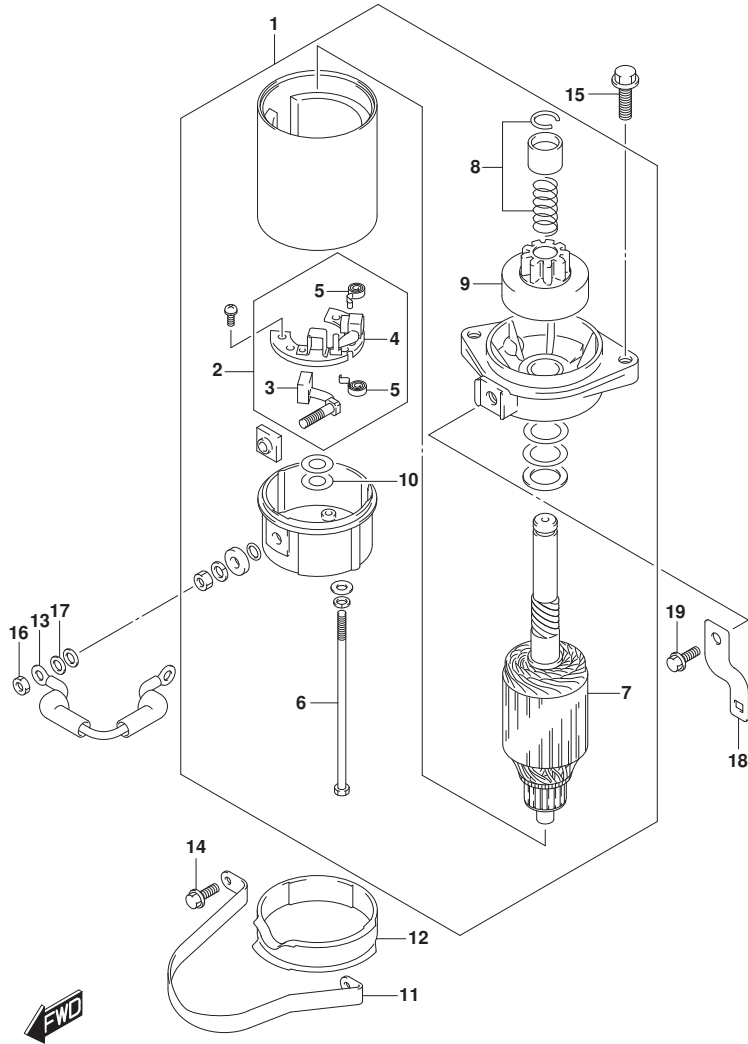


FIG.301D

FIG.301D (1-G-3) STARTING MOTOR (DF25ATH P01)

REF NO.	PART NO.	DESCRIPTION	Q'TY	REMARKS
1	31100-94401	MOTOR ASSY, STARTING	1	
2	31173-89J00	.HOLDER ASSY, BRUSH	1	
3	31131-96300	..BRUSH (+)	1	
4	31132-96300	..BRUSH (-)	1	
5	31135-89J00	..SPRING	2	
6	31281-93340	.BOLT, THROUGH	2	
7	31310-96300	.ARMATURE	1	
8	31312-96300	.STOPPER SET, PINION	1	
9	31320-94400	.PINION ASSY	1	
10	31360-96300	.WASHER SET	1	
11	31912-94L00	BAND, STARTER MOTOR	1	
12	31918-94401	DAMPER, LOWER	1	
13	33820-89E01	CABLE, PLUS TERM TO RELAY	1	
14	01550-06167	BOLT	2	
15	01550-08257	BOLT	2	
16	08310-00067	NUT	1	
17	08321-01067	WASHER, LOCK	1	

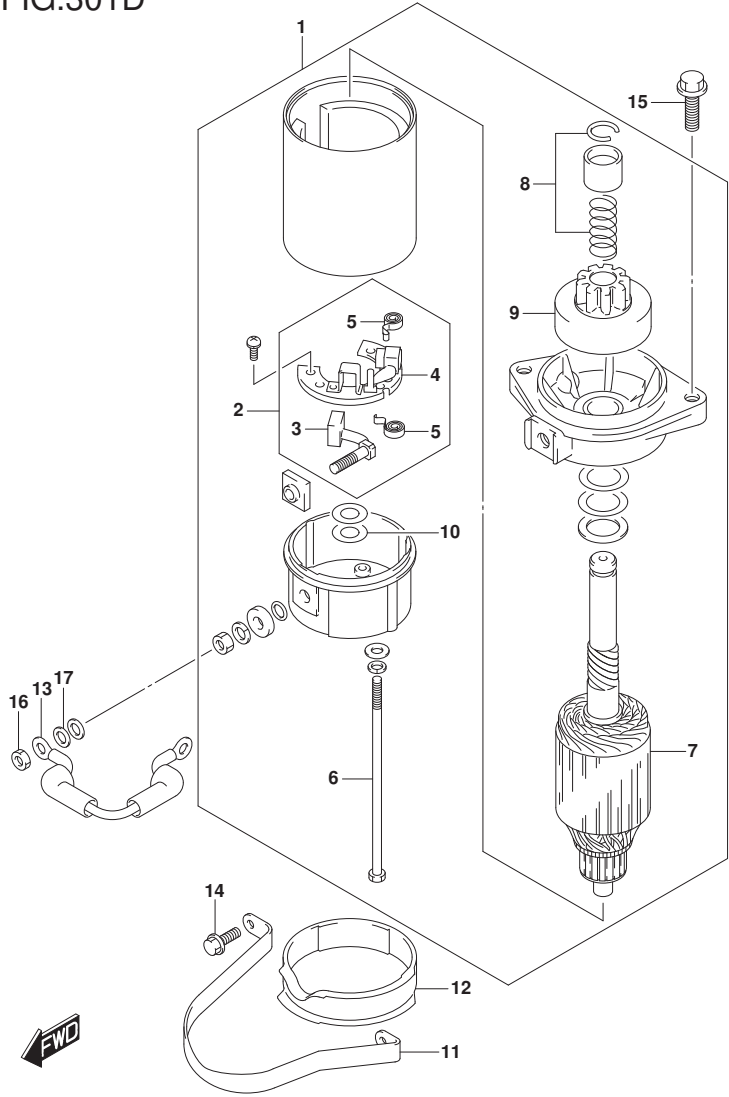


FIG.301E

FIG.301E (1-G-4) STARTING MOTOR (DF30A P40)

REF NO.	PART NO.	DESCRIPTION	Q'TY	REMARKS
1	31100-94401	MOTOR ASSY, STARTING	1	
2	31173-89J00	.HOLDER ASSY, BRUSH	1	
3	31131-96300	..BRUSH (+)	1	
4	31132-96300	..BRUSH (-)	1	
5	31135-89J00	..SPRING	2	
6	31281-93340	.BOLT, THROUGH	2	
7	31310-96300	.ARMATURE	1	
8	31312-96300	.STOPPER SET, PINION	1	
9	31320-94400	.PINION ASSY	1	
10	31360-96300	.WASHER SET	1	
11	31912-94L00	BAND, STARTER MOTOR	1	
12	31918-94401	DAMPER, LOWER	1	
13	33820-89E01	CABLE, PLUS TERM TO RELAY	1	
14	01550-06167	BOLT	2	
15	01550-08257	BOLT	2	
16	08310-00067	NUT	1	
17	08321-01067	WASHER, LOCK	1	

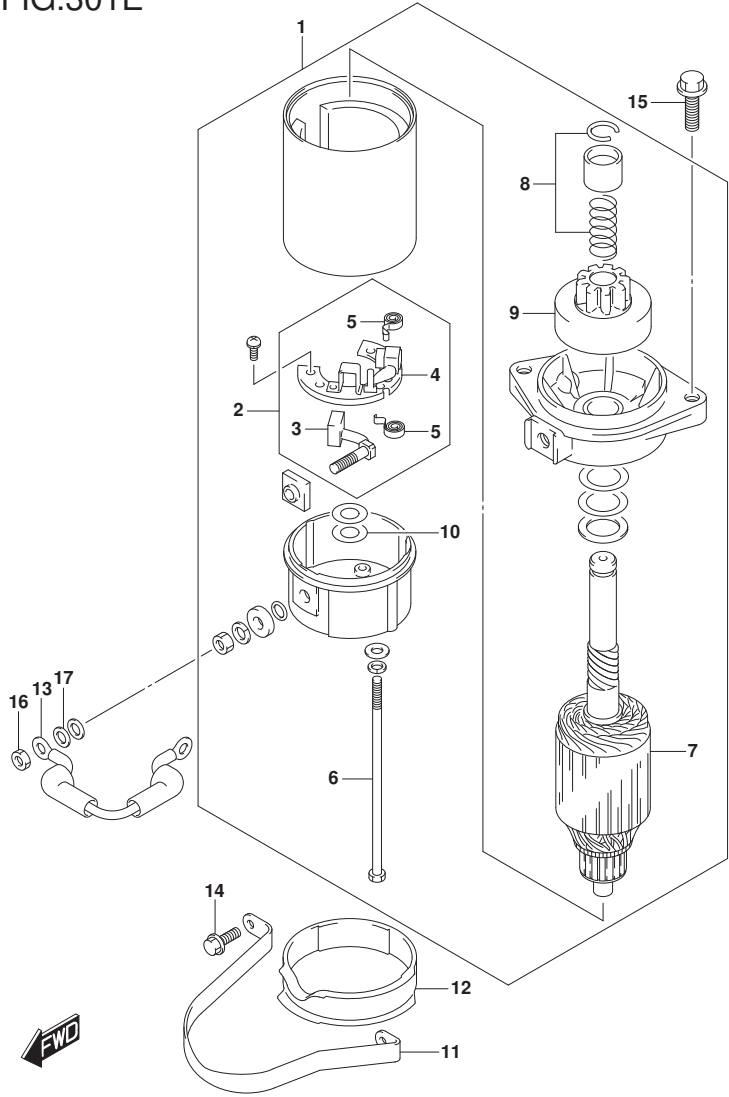


FIG.301F

FIG.301F (1-G-5) STARTING MOTOR (DF30AR P01)

REF NO.	PART NO.	DESCRIPTION	Q'TY	REMARKS
1	31100-94401	MOTOR ASSY, STARTING	1	
2	31173-89J00	.HOLDER ASSY, BRUSH	1	
3	31131-96300	..BRUSH (+)	1	
4	31132-96300	..BRUSH (-)	1	
5	31135-89J00	..SPRING	2	
6	31281-93340	.BOLT, THROUGH	2	
7	31310-96300	.ARMATURE	1	
8	31312-96300	.STOPPER SET, PINION	1	
9	31320-94400	.PINION ASSY	1	
10	31360-96300	.WASHER SET	1	
11	31912-94L00	BAND, STARTER MOTOR	1	
12	31918-94401	DAMPER, LOWER	1	
13	33820-89E01	CABLE, PLUS TERM TO RELAY	1	
14	01550-06167	BOLT	2	
15	01550-08257	BOLT	2	
16	08310-00067	NUT	1	
17	08321-01067	WASHER, LOCK	1	

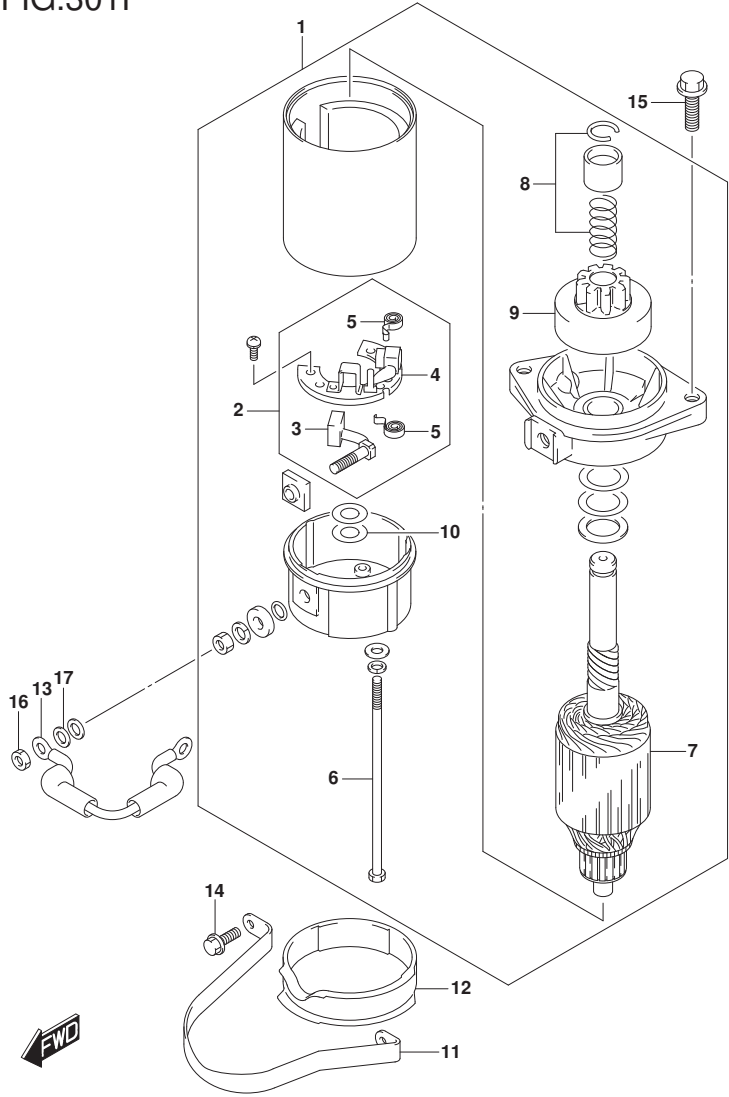


FIG.301G

FIG.301G (1-G-6) STARTING MOTOR (DF30AT P01)

REF NO.	PART NO.	DESCRIPTION	Q'TY	REMARKS
1	31100-94401	MOTOR ASSY, STARTING	1	
2	31173-89J00	.HOLDER ASSY, BRUSH	1	
3	31131-96300	..BRUSH (+)	1	
4	31132-96300	..BRUSH (-)	1	
5	31135-89J00	..SPRING	2	
6	31281-93340	.BOLT, THROUGH	2	
7	31310-96300	ARMATURE	1	
8	31312-96300	.STOPPER SET, PINION	1	
9	31320-94400	.PINION ASSY	1	
10	31360-96300	.WASHER SET	1	
11	31912-94L00	BAND, STARTER MOTOR	1	
12	31918-94401	DAMPER, LOWER	1	
13	33820-89E01	CABLE, PLUS TERM TO RELAY	1	
14	01550-06167	BOLT	2	
15	01550-08257	BOLT	2	
16	08310-00067	NUT	1	
17	08321-01067	WASHER, LOCK	1	
18	36617-94L00	BRACKET, HARNESS	1	
19	01550-0616C	BOLT	1	

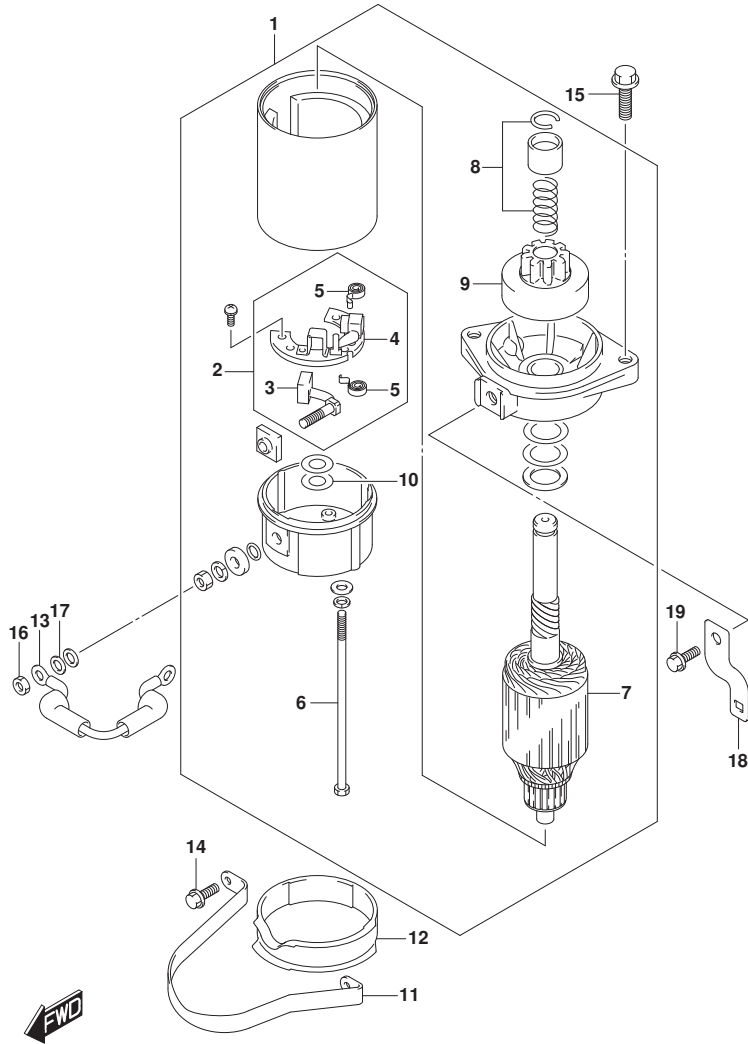


FIG.301H

FIG.301H (1-G-7) STARTING MOTOR (DF30ATH P01)

REF NO.	PART NO.	DESCRIPTION	Q'TY	REMARKS
1	31100-94401	MOTOR ASSY, STARTING	1	
2	31173-89J00	.HOLDER ASSY, BRUSH	1	
3	31131-96300	..BRUSH (+)	1	
4	31132-96300	..BRUSH (-)	1	
5	31135-89J00	..SPRING	2	
6	31281-93340	.BOLT, THROUGH	2	
7	31310-96300	.ARMATURE	1	
8	31312-96300	.STOPPER SET, PINION	1	
9	31320-94400	.PINION ASSY	1	
10	31360-96300	.WASHER SET	1	
11	31912-94L00	BAND, STARTER MOTOR	1	
12	31918-94401	DAMPER, LOWER	1	
13	33820-89E01	CABLE, PLUS TERM TO RELAY	1	
14	01550-06167	BOLT	2	
15	01550-08257	BOLT	2	
16	08310-00067	NUT	1	
17	08321-01067	WASHER, LOCK	1	

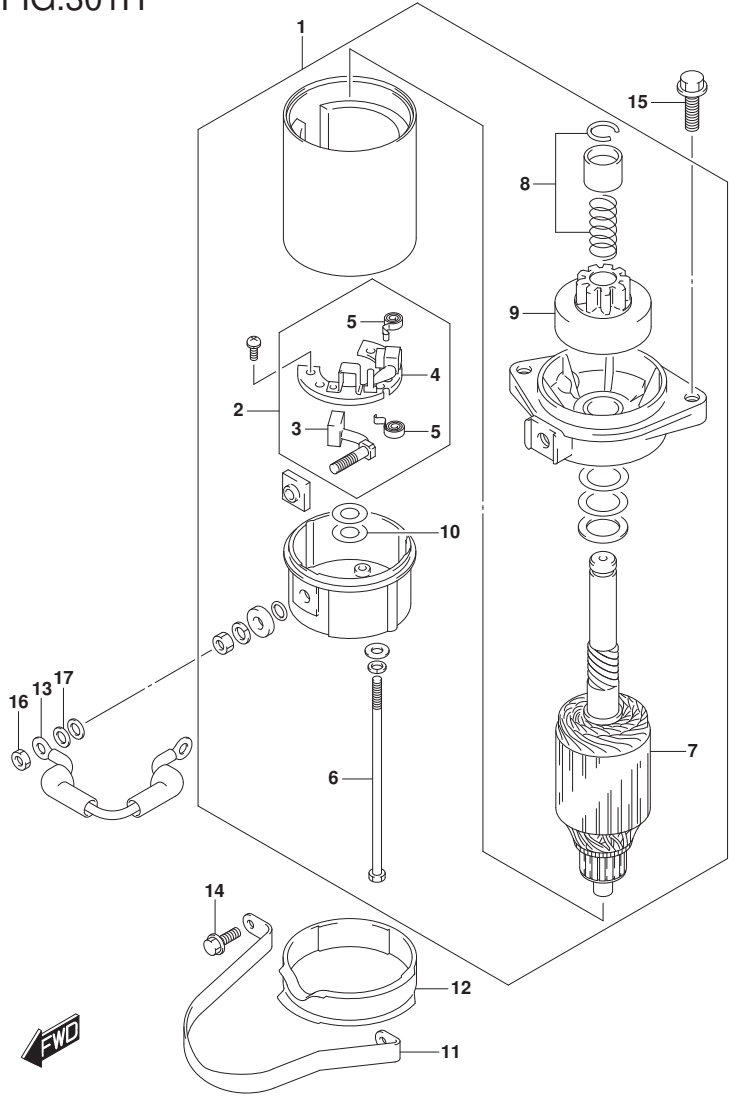


FIG.301J

FIG.301J (1-G-8) STARTING MOTOR (DF30AQ P01)

REF NO.	PART NO.	DESCRIPTION	Q'TY	REMARKS
1	31100-94401	MOTOR ASSY, STARTING	1	
2	31173-89J00	.HOLDER ASSY, BRUSH	1	
3	31131-96300	..BRUSH (+)	1	
4	31132-96300	..BRUSH (-)	1	
5	31135-89J00	..SPRING	2	
6	31281-93340	.BOLT, THROUGH	2	
7	31310-96300	.ARMATURE	1	
8	31312-96300	.STOPPER SET, PINION	1	
9	31320-94400	.PINION ASSY	1	
10	31360-96300	.WASHER SET	1	
11	31912-94L00	BAND, STARTER MOTOR	1	
12	31918-94401	DAMPER, LOWER	1	
13	33820-89E01	CABLE, PLUS TERM TO RELAY	1	
14	01550-06167	BOLT	2	
15	01550-08257	BOLT	2	
16	08310-00067	NUT	1	
17	08321-01067	WASHER, LOCK	1	

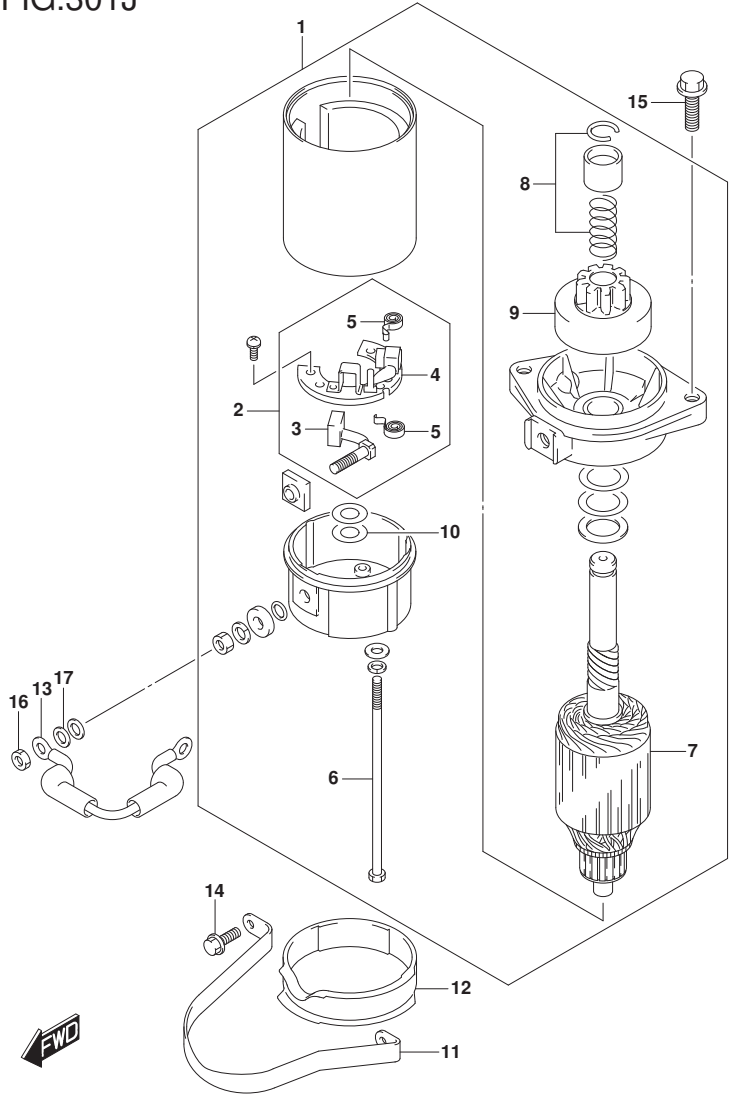


FIG.303A

FIG.303A (1-G-9) MAGNETO (MANUAL STARTER) (DF25A P01)

REF NO.	PART NO.	DESCRIPTION	Q'TY	REMARKS
1	32102-94L00	FLYWHEEL, MAGNETO	1	
2	32120-94L00	COIL, STATOR	1	
3	32160-94L00	COIL, IGNITION TIMING	1	
4	33220-50M00	SENSOR ASSY, POSITION	1	
5	36690-94L00	CONNECTOR ASSY, DUMMY	1	
6	36690-94L10	CONNECTOR ASSY, DUMMY	1	
7	09140-14008	NUT	1	
8	09160-15057	WASHER (15X27X4)	1	
9	09407-14407	CLAMP (L:145)	1	
10	01547-0625A	BOLT	3	
11	01550-0512C	BOLT	2	
12	01550-0616C	BOLT	1	
13	08341-31039	KEY	1	

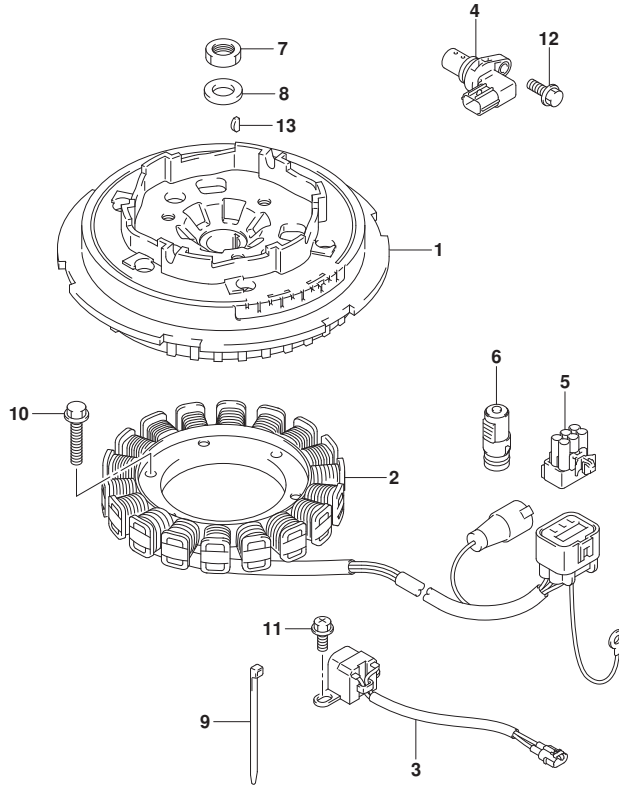


FIG.303B

FIG.303B (1-G-10) MAGNETO (MANUAL STARTER) (DF30A P40)

REF NO.	PART NO.	DESCRIPTION	Q'TY	REMARKS
1	32102-94L00	FLYWHEEL, MAGNETO	1	
2	32120-94L00	COIL, STATOR	1	
3	32160-94L00	COIL, IGNITION TIMING	1	
4	33220-50M00	SENSOR ASSY, POSITION	1	
5	36690-94L00	CONNECTOR ASSY, DUMMY	1	
6	36690-94L10	CONNECTOR ASSY, DUMMY	1	
7	09140-14008	NUT	1	
8	09160-15057	WASHER (15X27X4)	1	
9	09407-14407	CLAMP (L:145)	1	
10	01547-0625A	BOLT	3	
11	01550-0512C	BOLT	2	
12	01550-0616C	BOLT	1	
13	08341-31039	KEY	1	

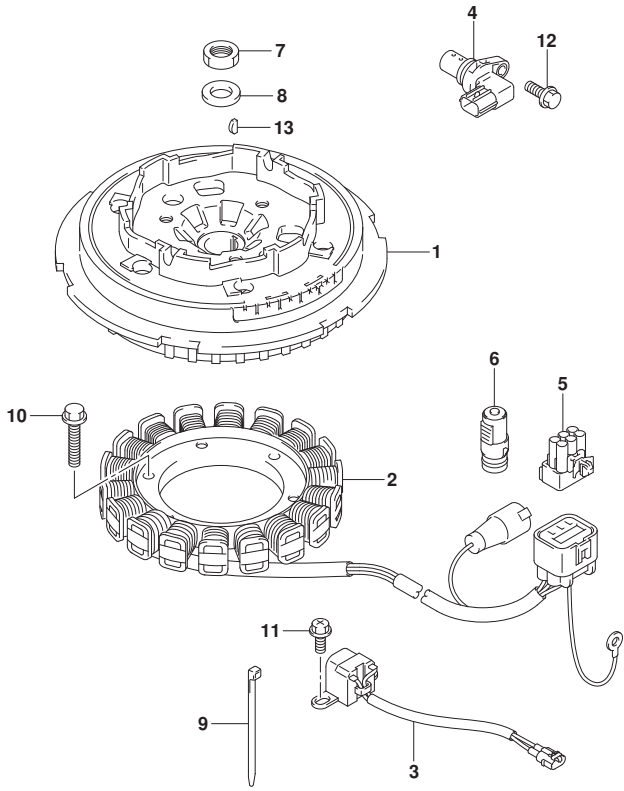


FIG.303C

FIG.303C (1-G-11) MAGNETO (MANUAL STARTER) (DF30AQ P01)

REF NO.	PART NO.	DESCRIPTION	Q'TY	REMARKS
1	32102-94L00	FLYWHEEL, MAGNETO	1	
2	32120-94L00	COIL, STATOR	1	
3	32160-94L00	COIL, IGNITION TIMING	1	
4	33220-50M00	SENSOR ASSY, POSITION	1	
5	36690-94L00	CONNECTOR ASSY, DUMMY	1	
6	36690-94L10	CONNECTOR ASSY, DUMMY	1	
7	09140-14008	NUT	1	
8	09160-15057	WASHER (15X27X4)	1	
9	09407-14407	CLAMP (L:145)	1	
10	01547-0625A	BOLT	3	
11	01550-0512C	BOLT	2	
12	01550-0616C	BOLT	1	
13	08341-31039	KEY	1	

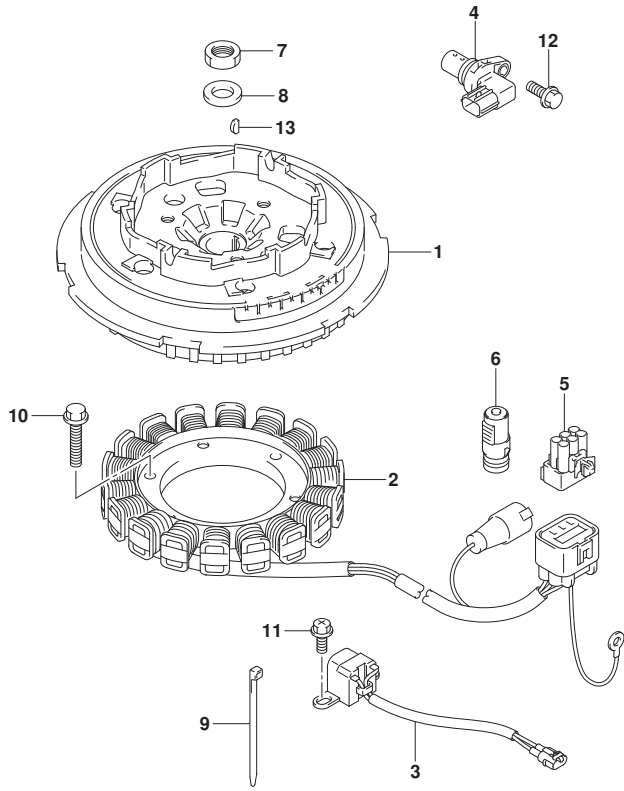


FIG.303D

FIG.303D (1-G-12) MAGNETO (ELECTRIC STARTER)

REF NO.	PART NO.	DESCRIPTION	Q'TY	REMARKS
1	32102-94L10	FLYWHEEL, MAGNETO	1	
2	32120-94L00	COIL, STATOR	1	
3	32160-94L00	COIL, IGNITION TIMING	1	
4	33220-50M00	SENSOR ASSY, POSITION	1	
5	09140-14008	NUT	1	
6	09160-15057	WASHER (15X27X4)	1	
7	09407-14407	CLAMP (L:145)	1	
8	01547-0625A	BOLT	3	
9	01550-0512C	BOLT	2	
10	01550-0616C	BOLT	1	
11	08341-31039	KEY	1	

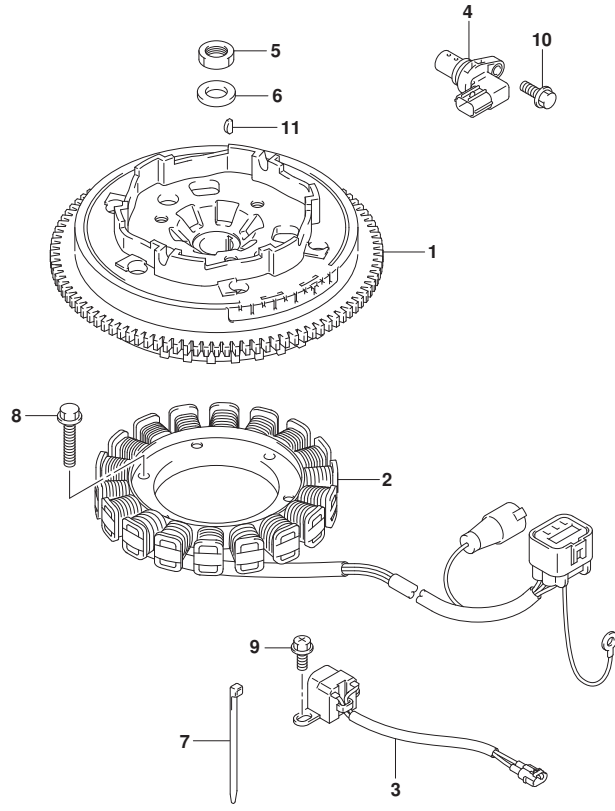


FIG.310A

FIG.310A (1-G-13) RECTIFIER/IGNITION COIL (DF25A P01)

REF NO.	PART NO.	DESCRIPTION	Q'TY	REMARKS
1	32800-94L00	RECTIFIER & REGULATOR ASSY	1	
2	32800-88L00	RECTIFIER & REGULATOR ASSY	1	W/ELECTRIC STARTER
3	32815-94L00	BRACKET, RECTIFIER	1	W/ELECTRIC STARTER
4	32890-94L00	HOLDER, ELECTRIC PARTS	1	
5	01550-06207	BOLT	3	
6	09169-06063	WASHER	3	
7	09320-08051	CUSHION	3	
8	01550-0620C	BOLT	2	W/ELECTRIC STARTER
9	01550-06257	BOLT	2	
10	33410-94L00	COIL, IGNITION	3	
11	33446-94L00	PROTECTOR, HIGH TENSION CORD	3	
12	33542-16H00	SEAL, HIGH TENSION CORD	3	
13	09408-00020	CLIP	2	
14	01550-06207	BOLT	3	
15	33510-16H10	CAP ASSY, SPARK PLUG	3	
16	33541-16H00	SEAL, SPARK PLUG	3	
17	33920-94L30	UNIT, ENGINE CONTROL	1	
18	33925-94L00	CUSHION, ENGINE CONTROL UNIT	1	
19	31800-94L00	RELAY ASSY, STARTER MOTOR	1	W/ELECTRIC STARTER
20	09128-06013	SCREW (6X8)	2	W/ELECTRIC STARTER
21	08322-01067	WASHER	3	

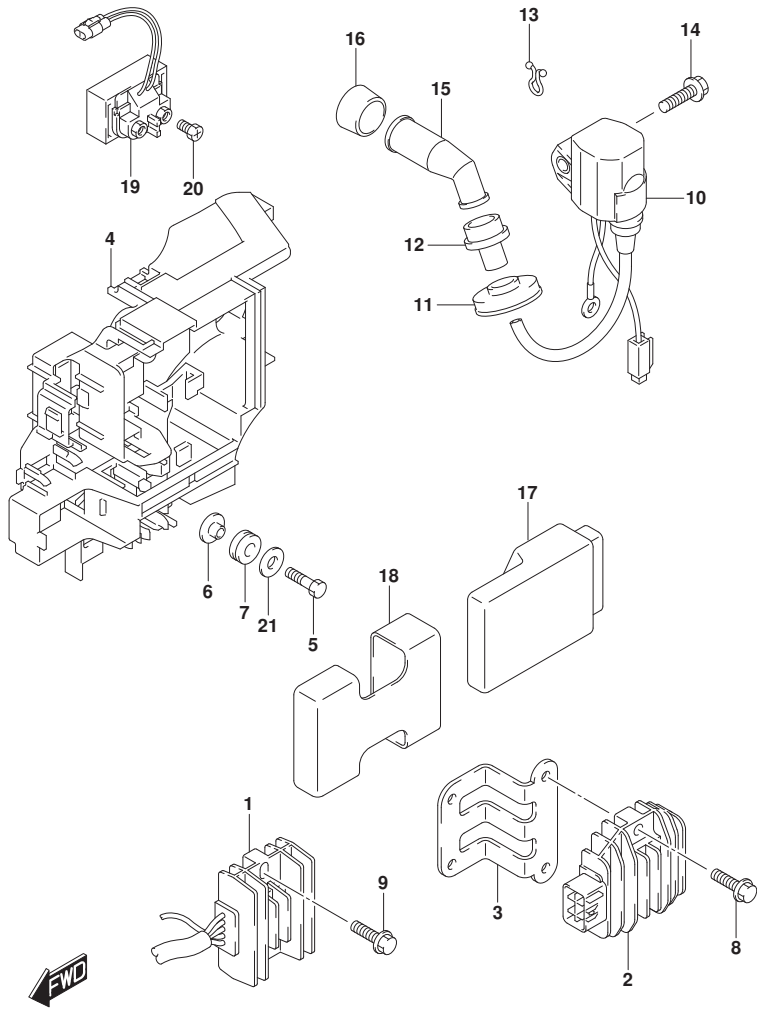


FIG.310B

FIG.310B (1-G-14) RECTIFIER/IGNITION COIL (DF25AR P01)

REF NO.	PART NO.	DESCRIPTION	Q'TY	REMARKS
1	32800-94L00	RECTIFIER & REGULATOR ASSY	1	
2	32800-88L00	RECTIFIER & REGULATOR ASSY	1	
3	32815-94L00	BRACKET, RECTIFIER	1	
4	32890-94L00	HOLDER, ELECTRIC PARTS	1	
5	01550-06207	BOLT	3	
6	09169-06063	WASHER	3	
7	09320-08051	CUSHION	3	
8	01550-0620C	BOLT	2	
9	01550-06257	BOLT	2	
10	33410-94L00	COIL, IGNITION	3	
11	33446-94L00	PROTECTOR, HIGH TENSION CORD	3	
12	33542-16H00	SEAL, HIGH TENSION CORD	3	
13	09408-00020	CLIP	2	
14	01550-06207	BOLT	3	
15	33510-16H10	CAP ASSY, SPARK PLUG	3	
16	33541-16H00	SEAL, SPARK PLUG	3	
17	33920-94L30	UNIT, ENGINE CONTROL	1	
18	33925-94L00	CUSHION, ENGINE CONTROL UNIT	1	
19	31800-94L00	RELAY ASSY, STARTER MOTOR	1	
20	09128-06013	SCREW (6X8)	2	
21	08322-01067	WASHER	3	

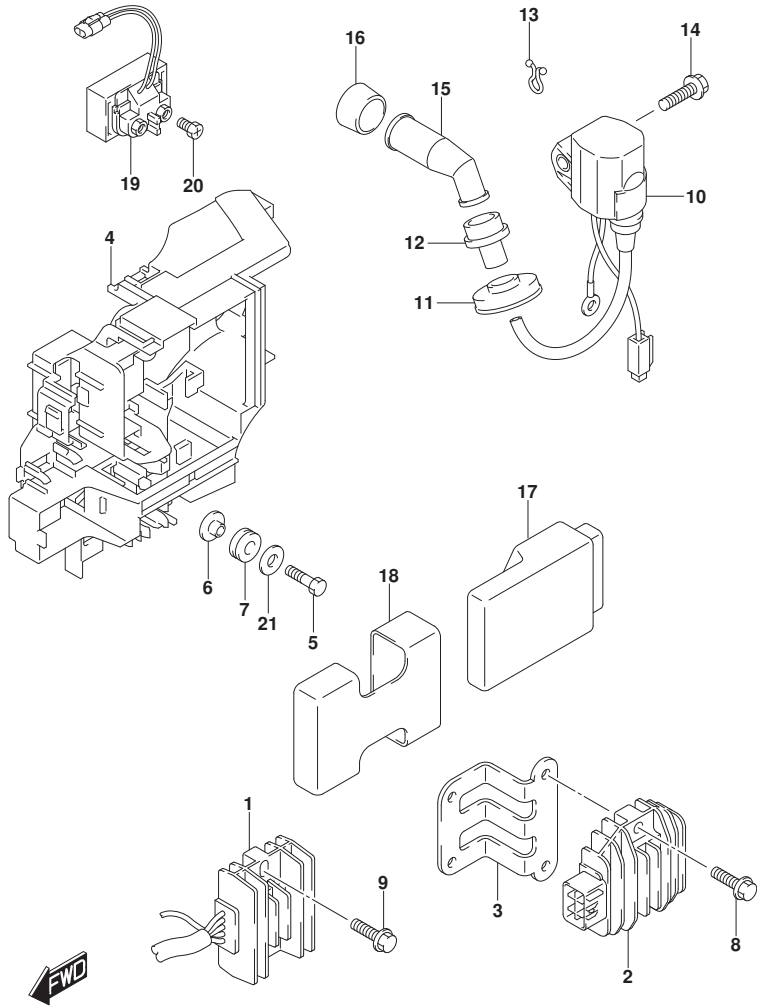


FIG.310C

FIG.310C (1-G-15) RECTIFIER/IGNITION COIL (DF25AT P01)

REF NO.	PART NO.	DESCRIPTION	Q'TY	REMARKS
1	32800-94L00	RECTIFIER & REGULATOR ASSY	1	
2	32800-88L00	RECTIFIER & REGULATOR ASSY	1	
3	32815-94L00	BRACKET, RECTIFIER	1	
4	32890-94L00	HOLDER, ELECTRIC PARTS	1	
5	01550-06207	BOLT	3	
6	09169-06063	WASHER	3	
7	09320-08051	CUSHION	3	
8	01550-0620C	BOLT	2	
9	01550-06257	BOLT	2	
10	33410-94L00	COIL, IGNITION	3	
11	33446-94L00	PROTECTOR, HIGH TENSION CORD	3	
12	33542-16H00	SEAL, HIGH TENSION CORD	3	
13	09408-00020	CLIP	2	
14	01550-06207	BOLT	3	
15	33510-16H10	CAP ASSY, SPARK PLUG	3	
16	33541-16H00	SEAL, SPARK PLUG	3	
17	33920-94L30	UNIT, ENGINE CONTROL	1	
18	33925-94L00	CUSHION, ENGINE CONTROL UNIT	1	
19	31800-94L00	RELAY ASSY, STARTER MOTOR	1	
20	09128-06013	SCREW (6X8)	2	
21	08322-01067	WASHER	3	

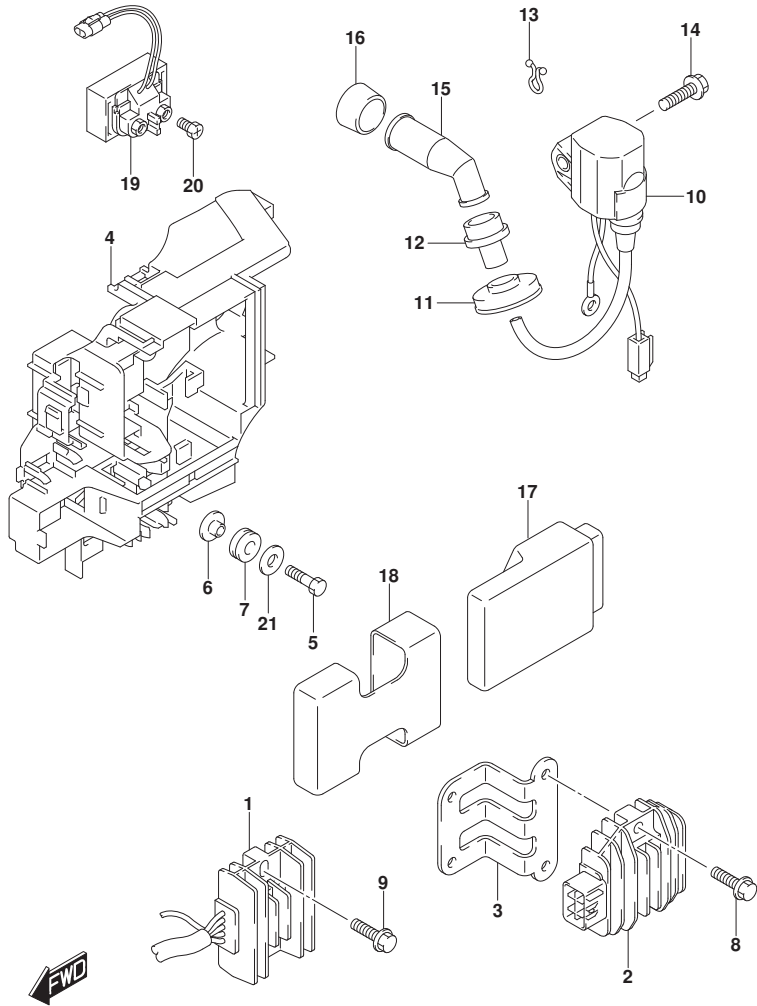


FIG.310D

FIG.310D (1-H-2) RECTIFIER/IGNITION COIL (DF25ATH P01)

REF NO.	PART NO.	DESCRIPTION	Q'TY	REMARKS
1	32800-94L00	RECTIFIER & REGULATOR ASSY	1	
2	32800-88L00	RECTIFIER & REGULATOR ASSY	1	
3	32815-94L00	BRACKET, RECTIFIER	1	
4	32890-94L00	HOLDER, ELECTRIC PARTS	1	
5	01550-06207	BOLT	3	
6	09169-06063	WASHER	3	
7	09320-08051	CUSHION	3	
8	01550-0620C	BOLT	2	
9	01550-06257	BOLT	2	
10	33410-94L00	COIL, IGNITION	3	
11	33446-94L00	PROTECTOR, HIGH TENSION CORD	3	
12	33542-16H00	SEAL, HIGH TENSION CORD	3	
13	09408-00020	CLIP	2	
14	01550-06207	BOLT	3	
15	33510-16H10	CAP ASSY, SPARK PLUG	3	
16	33541-16H00	SEAL, SPARK PLUG	3	
17	33920-94L30	UNIT, ENGINE CONTROL	1	
18	33925-94L00	CUSHION, ENGINE CONTROL UNIT	1	
19	31800-94L00	RELAY ASSY, STARTER MOTOR	1	
20	09128-06013	SCREW (6X8)	2	
21	08322-01067	WASHER	3	

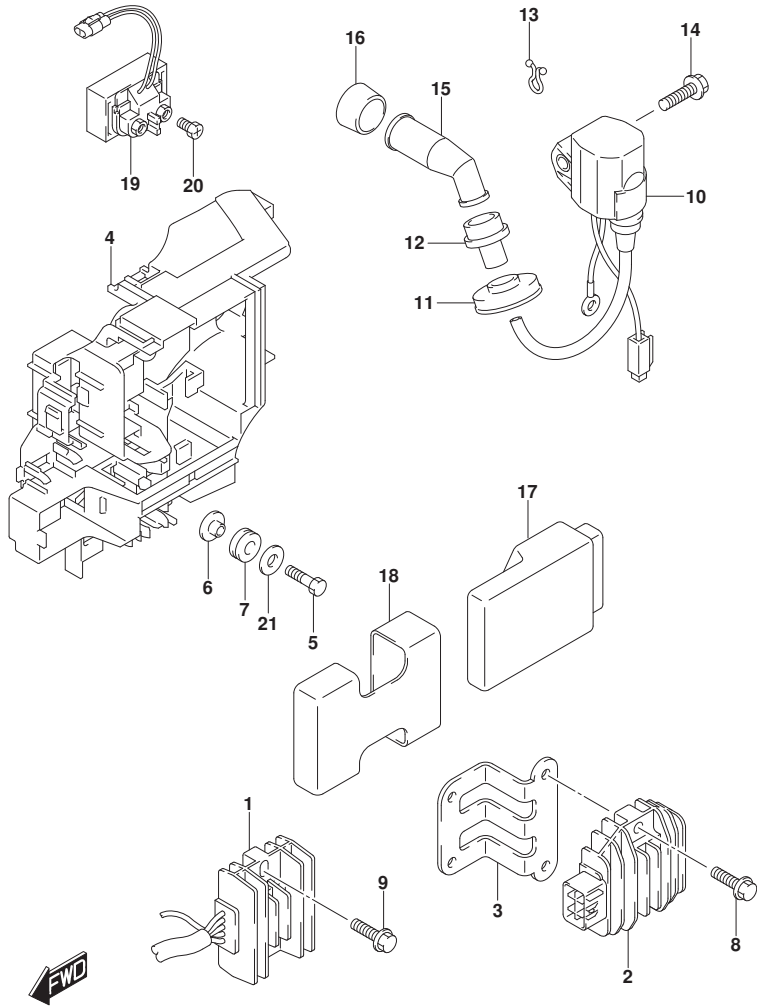


FIG.310E

FIG.310E (1-H-3) RECTIFIER/IGNITION COIL (DF30A P40)

REF NO.	PART NO.	DESCRIPTION	Q'TY	REMARKS
1	32800-94L00	RECTIFIER & REGULATOR ASSY	1	
2	32800-88L00	RECTIFIER & REGULATOR ASSY	1	W/ELECTRIC STARTER
3	32815-94L00	BRACKET, RECTIFIER	1	W/ELECTRIC STARTER
4	32890-94L00	HOLDER, ELECTRIC PARTS	1	
5	01550-06207	BOLT	3	
6	09169-06063	WASHER	3	
7	09320-08051	CUSHION	3	
8	01550-0620C	BOLT	2	W/ELECTRIC STARTER
9	01550-06257	BOLT	2	
10	33410-94L00	COIL, IGNITION	3	
11	33446-94L00	PROTECTOR, HIGH TENSION CORD	3	
12	33542-16H00	SEAL, HIGH TENSION CORD	3	
13	09408-00020	CLIP	2	
14	01550-06207	BOLT	3	
15	33510-16H10	CAP ASSY, SPARK PLUG	3	
16	33541-16H00	SEAL, SPARK PLUG	3	
17	33920-94L50	UNIT, ENGINE CONTROL	1	
18	33925-94L00	CUSHION, ENGINE CONTROL UNIT	1	
19	31800-94L00	RELAY ASSY, STARTER MOTOR	1	W/ELECTRIC STARTER
20	09128-06013	SCREW (6X8)	2	W/ELECTRIC STARTER
21	08322-01067	WASHER	3	

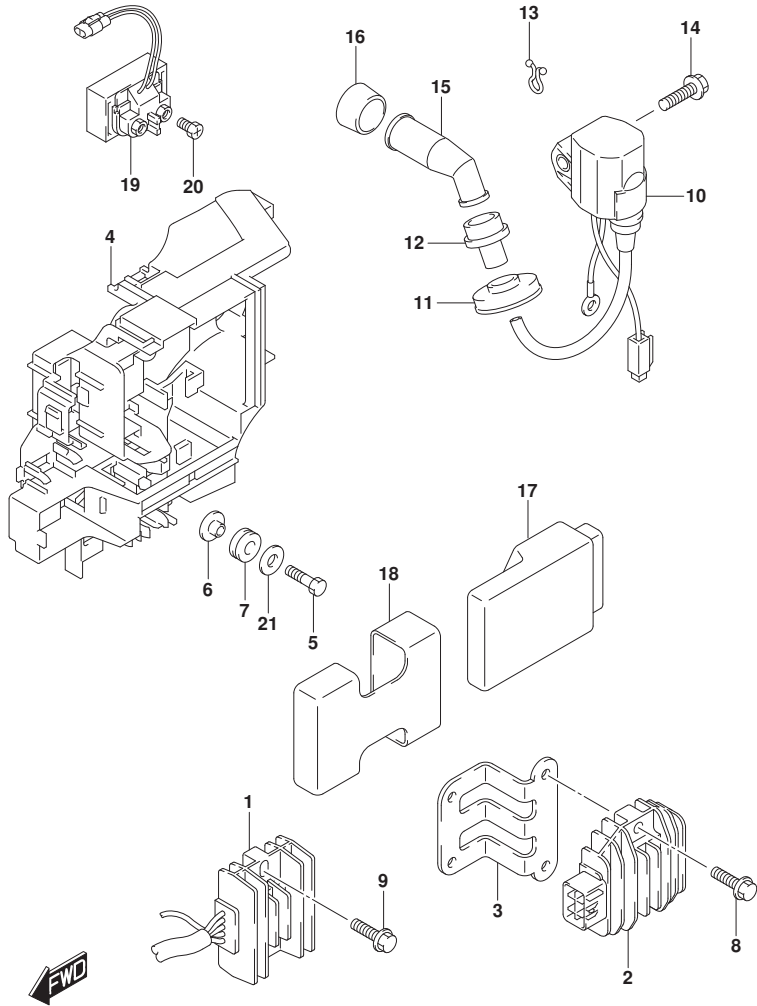


FIG.310F

FIG.310F (1-H-4) RECTIFIER/IGNITION COIL (DF30AR P01)

REF NO.	PART NO.	DESCRIPTION	Q'TY	REMARKS
1	32800-94L00	RECTIFIER & REGULATOR ASSY	1	
2	32800-88L00	RECTIFIER & REGULATOR ASSY	1	
3	32815-94L00	BRACKET, RECTIFIER	1	
4	32890-94L00	HOLDER, ELECTRIC PARTS	1	
5	01550-06207	BOLT	3	
6	09169-06063	WASHER	3	
7	09320-08051	CUSHION	3	
8	01550-0620C	BOLT	2	
9	01550-06257	BOLT	2	
10	33410-94L00	COIL, IGNITION	3	
11	33446-94L00	PROTECTOR, HIGH TENSION CORD	3	
12	33542-16H00	SEAL, HIGH TENSION CORD	3	
13	09408-00020	CLIP	2	
14	01550-06207	BOLT	3	
15	33510-16H10	CAP ASSY, SPARK PLUG	3	
16	33541-16H00	SEAL, SPARK PLUG	3	
17	33920-94L40	UNIT, ENGINE CONTROL	1	
18	33925-94L00	CUSHION, ENGINE CONTROL UNIT	1	
19	31800-94L00	RELAY ASSY, STARTER MOTOR	1	
20	09128-06013	SCREW (6X8)	2	
21	08322-01067	WASHER	3	

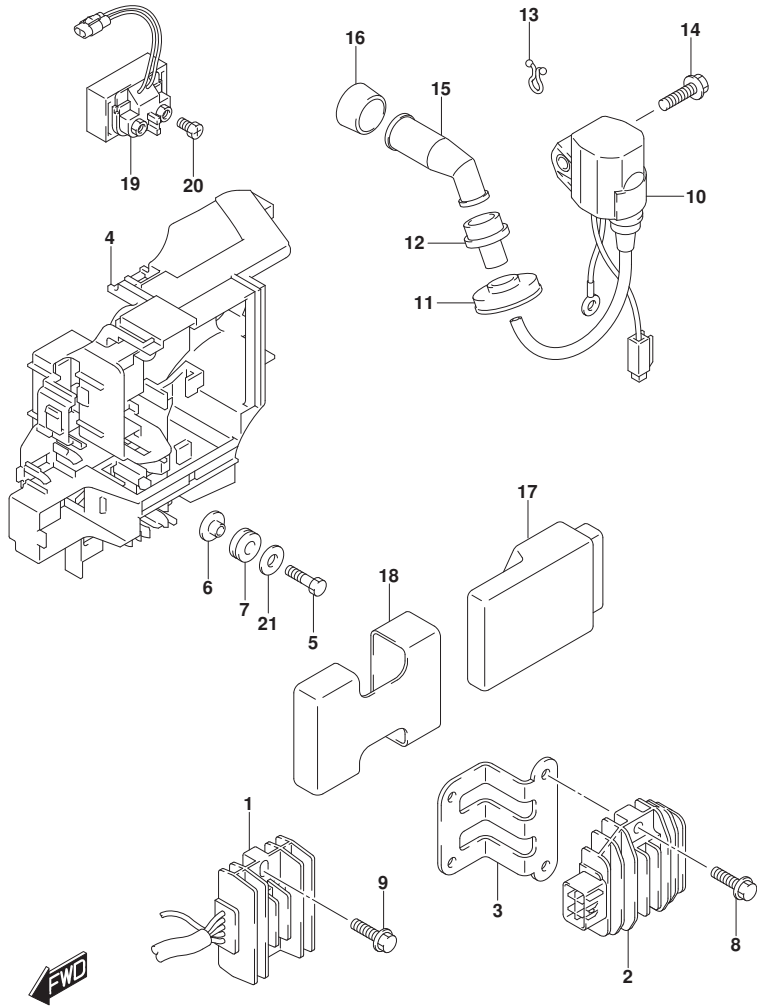


FIG.310G

FIG.310G (1-H-5) RECTIFIER/IGNITION COIL (DF30AT P01)

REF NO.	PART NO.	DESCRIPTION	Q'TY	REMARKS
1	32800-94L00	RECTIFIER & REGULATOR ASSY	1	
2	32800-88L00	RECTIFIER & REGULATOR ASSY	1	
3	32815-94L00	BRACKET, RECTIFIER	1	
4	32890-94L00	HOLDER, ELECTRIC PARTS	1	
5	01550-06207	BOLT	3	
6	09169-06063	WASHER	3	
7	09320-08051	CUSHION	3	
8	01550-0620C	BOLT	2	
9	01550-06257	BOLT	2	
10	33410-94L00	COIL, IGNITION	3	
11	33446-94L00	PROTECTOR, HIGH TENSION CORD	3	
12	33542-16H00	SEAL, HIGH TENSION CORD	3	
13	09408-00020	CLIP	2	
14	01550-06207	BOLT	3	
15	33510-16H10	CAP ASSY, SPARK PLUG	3	
16	33541-16H00	SEAL, SPARK PLUG	3	
17	33920-94L40	UNIT, ENGINE CONTROL	1	
18	33925-94L00	CUSHION, ENGINE CONTROL UNIT	1	
19	31800-94L00	RELAY ASSY, STARTER MOTOR	1	
20	09128-06013	SCREW (6X8)	2	
21	08322-01067	WASHER	3	

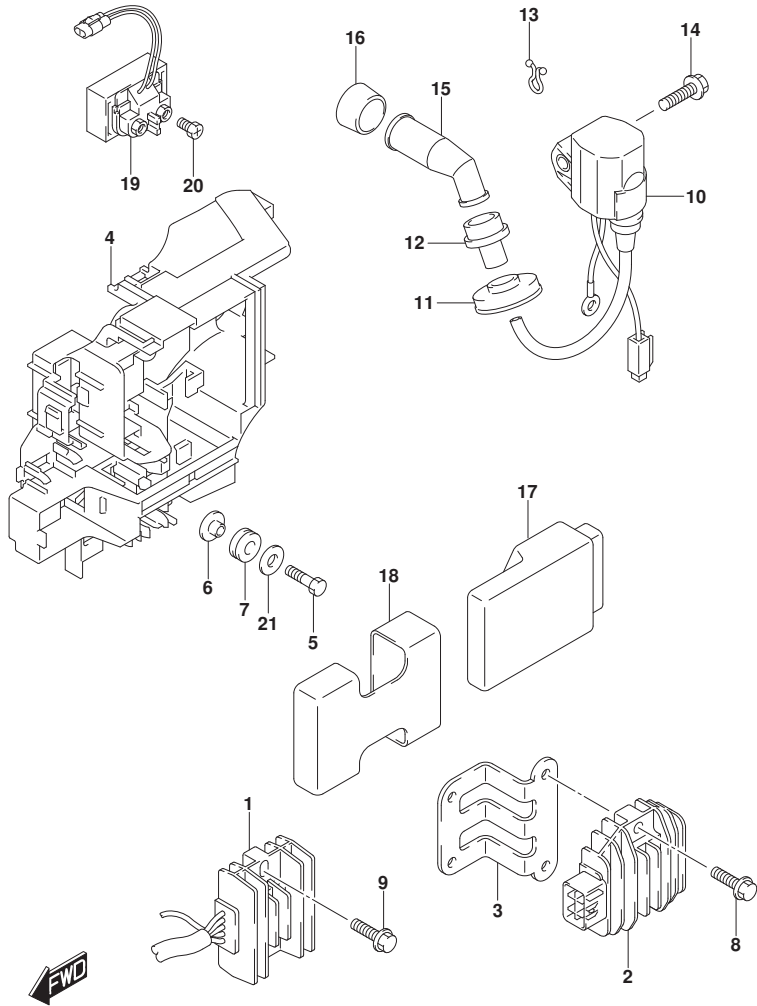


FIG.310H

FIG.310H (1-H-6) RECTIFIER/IGNITION COIL (DF30ATH P01)

REF NO.	PART NO.	DESCRIPTION	Q'TY	REMARKS
1	32800-94L00	RECTIFIER & REGULATOR ASSY	1	
2	32800-88L00	RECTIFIER & REGULATOR ASSY	1	
3	32815-94L00	BRACKET, RECTIFIER	1	
4	32890-94L00	HOLDER, ELECTRIC PARTS	1	
5	01550-06207	BOLT	3	
6	09169-06063	WASHER	3	
7	09320-08051	CUSHION	3	
8	01550-0620C	BOLT	2	
9	01550-06257	BOLT	2	
10	33410-94L00	COIL, IGNITION	3	
11	33446-94L00	PROTECTOR, HIGH TENSION CORD	3	
12	33542-16H00	SEAL, HIGH TENSION CORD	3	
13	09408-00020	CLIP	2	
14	01550-06207	BOLT	3	
15	33510-16H10	CAP ASSY, SPARK PLUG	3	
16	33541-16H00	SEAL, SPARK PLUG	3	
17	33920-94L40	UNIT, ENGINE CONTROL	1	
18	33925-94L00	CUSHION, ENGINE CONTROL UNIT	1	
19	31800-94L00	RELAY ASSY, STARTER MOTOR	1	
20	09128-06013	SCREW (6X8)	2	
21	08322-01067	WASHER	3	

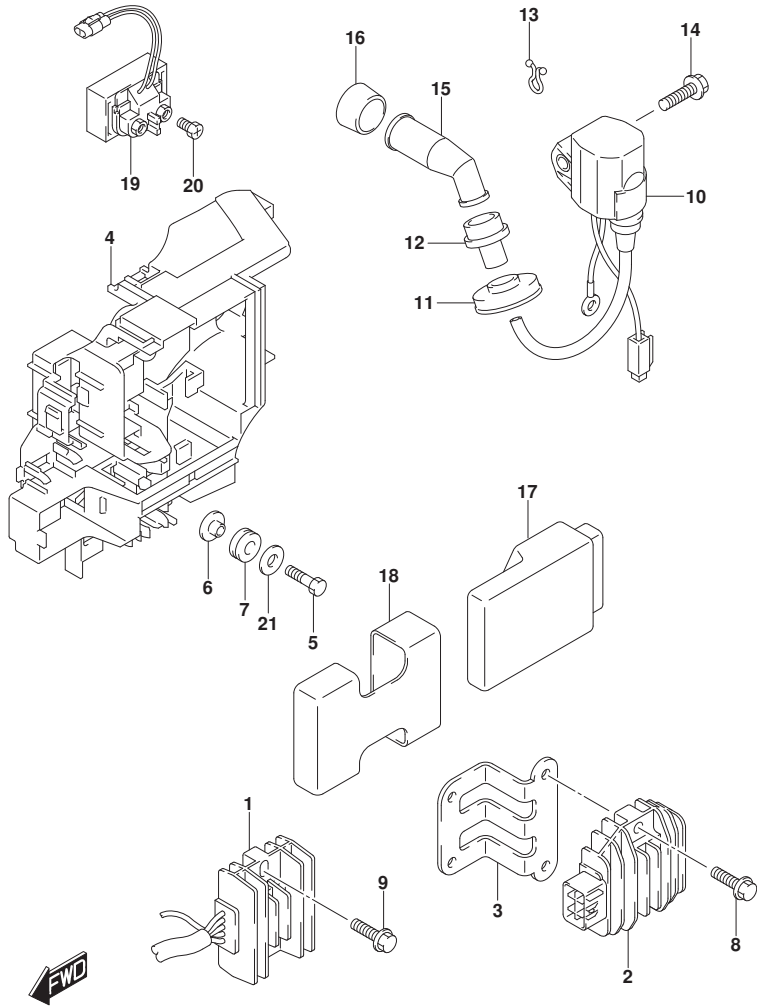


FIG.310J

FIG.310J (1-H-7) RECTIFIER/IGNITION COIL (DF30AQ P01)

REF NO.	PART NO.	DESCRIPTION	Q'TY	REMARKS
1	32800-94L00	RECTIFIER & REGULATOR ASSY	1	
2	32800-88L00	RECTIFIER & REGULATOR ASSY	1	W/ELECTRIC STARTER
3	32815-94L00	BRACKET, RECTIFIER	1	W/ELECTRIC STARTER
4	32890-94L00	HOLDER, ELECTRIC PARTS	1	
5	01550-06207	BOLT	3	
6	09169-06063	WASHER	3	
7	09320-08051	CUSHION	3	
8	01550-0620C	BOLT	2	W/ELECTRIC STARTER
9	01550-06257	BOLT	2	
10	33410-94L00	COIL, IGNITION	3	
11	33446-94L00	PROTECTOR, HIGH TENSION CORD	3	
12	33542-16H00	SEAL, HIGH TENSION CORD	3	
13	09408-00020	CLIP	2	
14	01550-06207	BOLT	3	
15	33510-16H10	CAP ASSY, SPARK PLUG	3	
16	33541-16H00	SEAL, SPARK PLUG	3	
17	33920-94L40	UNIT, ENGINE CONTROL	1	
18	33925-94L00	CUSHION, ENGINE CONTROL UNIT	1	
19	31800-94L00	RELAY ASSY, STARTER MOTOR	1	W/ELECTRIC STARTER
20	09128-06013	SCREW (6X8)	2	W/ELECTRIC STARTER
21	08322-01067	WASHER	3	

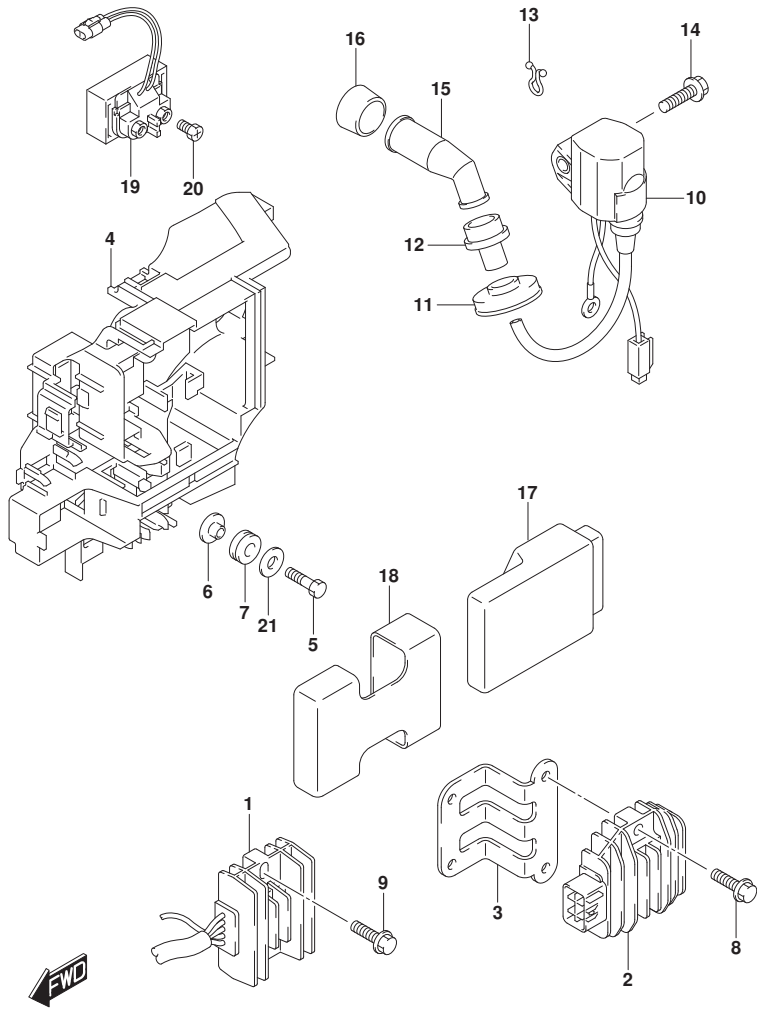


FIG.322A

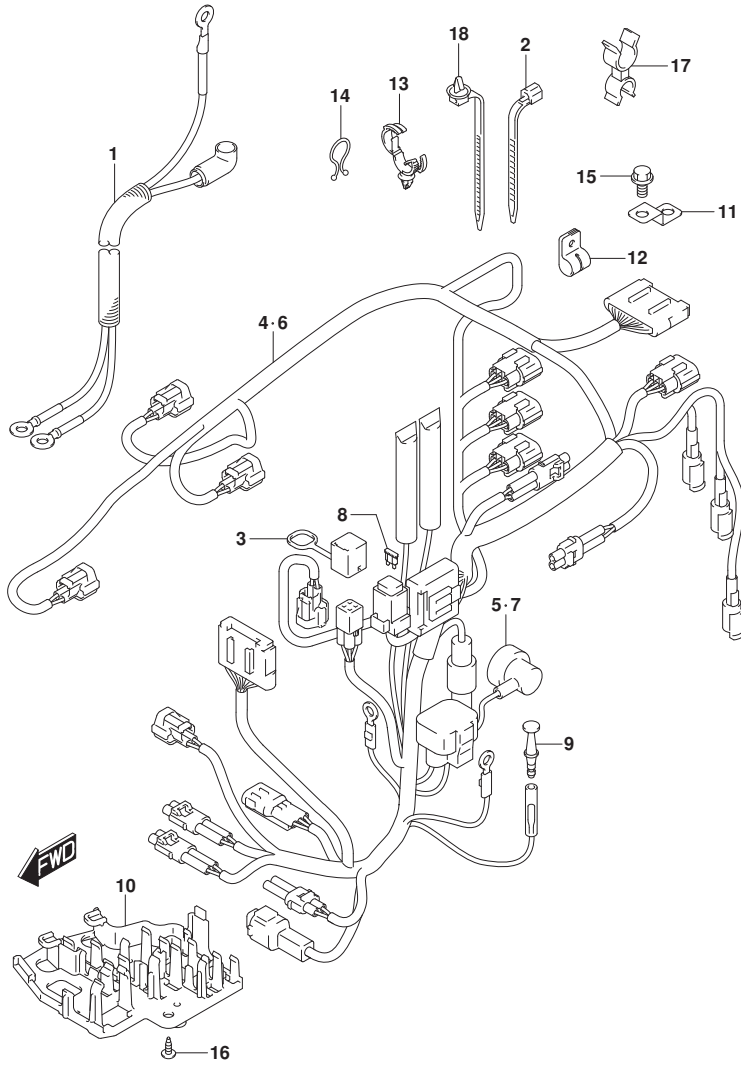


FIG.322A (1-H-8) HARNESS (DF25A P01)

REF NO.	PART NO.	DESCRIPTION	Q'TY	REMARKS
1	33810-94L01	CABLE, STARTER	1	W/ELECTRIC STARTER
2	09407-18402	CLAMP (L:165)	1	W/ELECTRIC STARTER
3	33634-94L00	CAP, SERVICE CONNECTOR	1	
4	36610-94L00	HARNESS ASSY, WIRING	1	W/MANUAL STARTER
5	36618-43410	.CAP, OIL PRESSURE SWITCH	1	W/MANUAL STARTER
6	36610-94L10	HARNESS ASSY, WIRING	1	W/ELECTRIC STARTER
7	36618-43410	.CAP, OIL PRESSURE SWITCH	1	W/ELECTRIC STARTER
8	09481-30501	.FUSE (30A)	1	W/ELECTRIC STARTER
9	36615-96300	TERMINAL	1	
10	36616-94L00	HOLDER, CONNECTOR	1	
11	36617-93J10	BRACKET, HARNESS	1	
12	09403-08404	CLAMP	1	
13	09403-20308	CLAMP	1	
14	09408-00008	CLIP (ID:20)	3	
15	01550-0612C	BOLT	1	
16	03542-05169	SCREW	2	
17	09408-00054	CLAMP	1	
18	36991-94L00	CLAMP, HARNESS	1	

FIG.322B

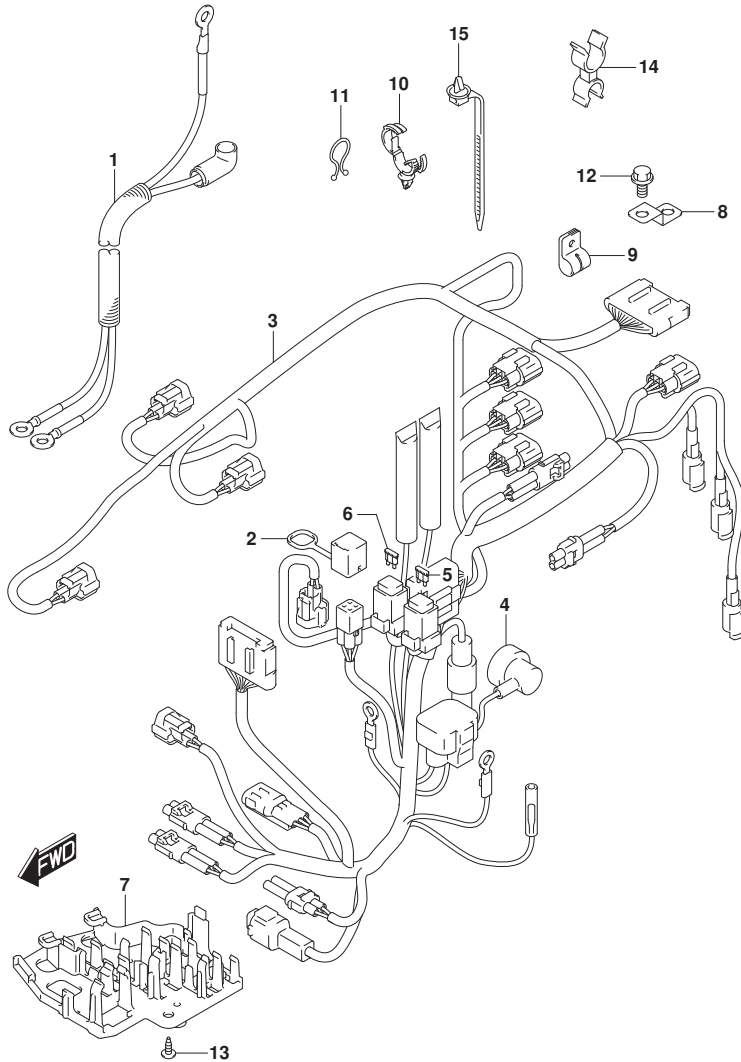


FIG.322B (1-H-9) HARNESS (DF25AR P01)

REF NO.	PART NO.	DESCRIPTION	Q'TY	REMARKS
1	33810-94L01	CABLE, STARTER	1	
2	33634-94L00	CAP, SERVICE CONNECTOR	1	
3	36610-94L20	HARNESS ASSY, WIRING	1	
4	36618-43410	.CAP, OIL PRESSURE SWITCH	1	
5	09481-10501	.FUSE (10A)	1	
6	09481-30501	.FUSE (30A)	1	
7	36616-94L00	HOLDER, CONNECTOR	1	
8	36617-93J10	BRACKET, HARNESS	1	
9	09403-08404	CLAMP	1	
10	09403-20308	CLAMP	1	
11	09408-00008	CLIP (ID:20)	3	
12	01550-0612C	BOLT	1	
13	03542-05169	SCREW	2	
14	09408-00054	CLAMP	1	
15	36991-94L00	CLAMP, HARNESS	1	

FIG.322C

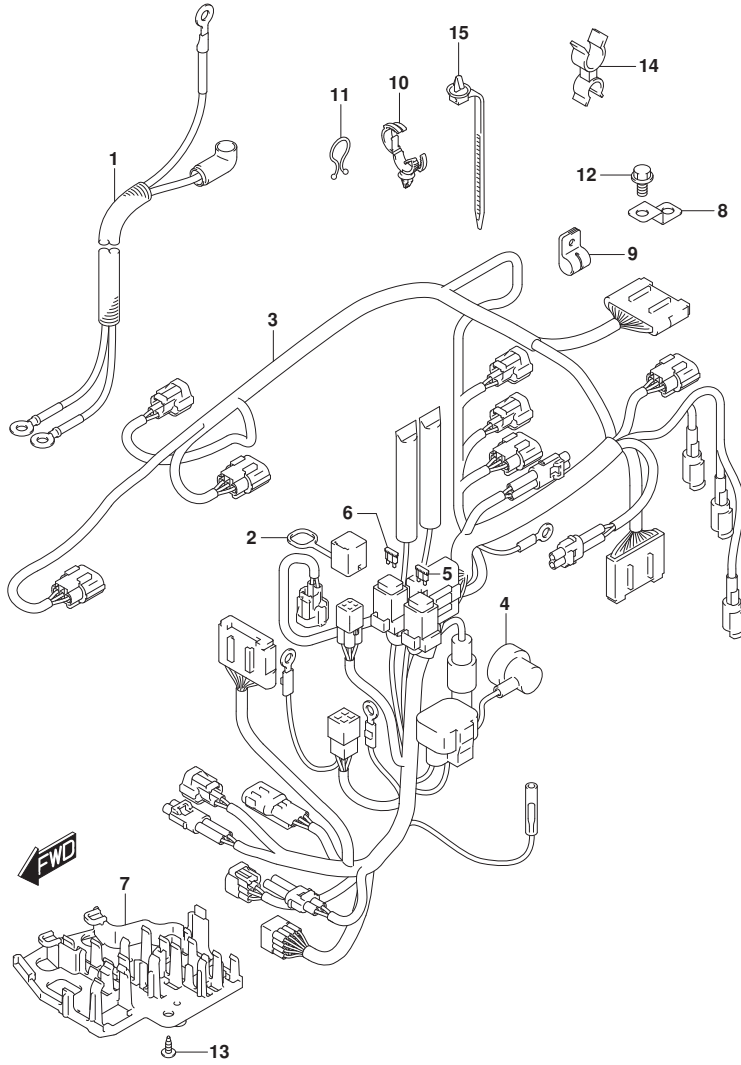


FIG.322C (1-H-10) HARNESS (DF25AT P01)

REF NO.	PART NO.	DESCRIPTION	Q'TY	REMARKS
1	33810-94L01	CABLE, STARTER	1	
2	33634-94L00	CAP, SERVICE CONNECTOR	1	
3	36610-94L41	HARNESS ASSY, WIRING	1	
4	36618-43410	.CAP, OIL PRESSURE SWITCH	1	
5	09481-10501	.FUSE (10A)	1	
6	09481-30501	.FUSE (30A)	1	
7	36616-94L00	HOLDER, CONNECTOR	1	
8	36617-93J10	BRACKET, HARNESS	1	
9	09403-08404	CLAMP	1	
10	09403-20308	CLAMP	1	
11	09408-00008	CLIP (ID:20)	3	
12	01550-0612C	BOLT	1	
13	03542-05169	SCREW	2	
14	09408-00054	CLAMP	1	
15	36991-94L00	CLAMP, HARNESS	1	

FIG.322D

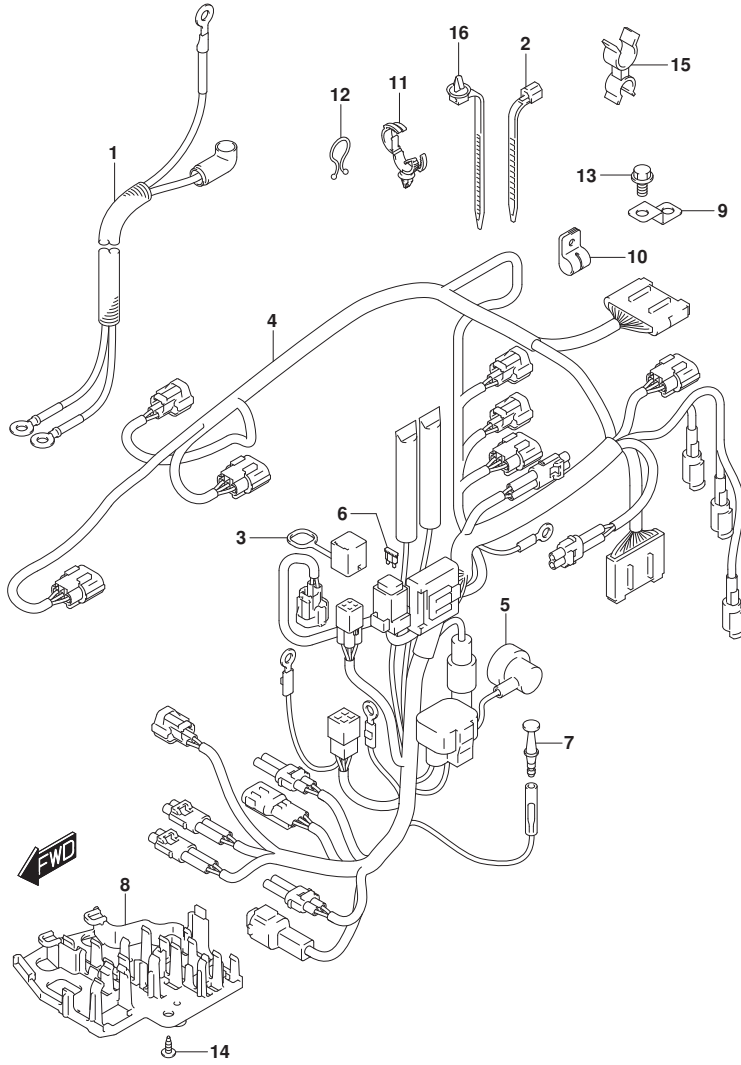


FIG.322D (1-H-11) HARNESS (DF25ATH P01)

REF NO.	PART NO.	DESCRIPTION	Q'TY	REMARKS
1	33810-94L01	CABLE, STARTER	1	
2	09407-18402	CLAMP (L:165)	1	
3	33634-94L00	CAP, SERVICE CONNECTOR	1	
4	36610-94L31	HARNESS ASSY, WIRING	1	
5	36618-43410	.CAP, OIL PRESSURE SWITCH	1	
6	09481-30501	.FUSE (30A)	1	
7	36615-96300	TERMINAL	1	
8	36616-94L00	HOLDER, CONNECTOR	1	
9	36617-93J10	BRACKET, HARNESS	1	
10	09403-08404	CLAMP	1	
11	09403-20308	CLAMP	1	
12	09408-00008	CLIP (ID:20)	3	
13	01550-0612C	BOLT	1	
14	03542-05169	SCREW	2	
15	09408-00054	CLAMP	1	
16	36991-94L00	CLAMP, HARNESS	1	

FIG.322E

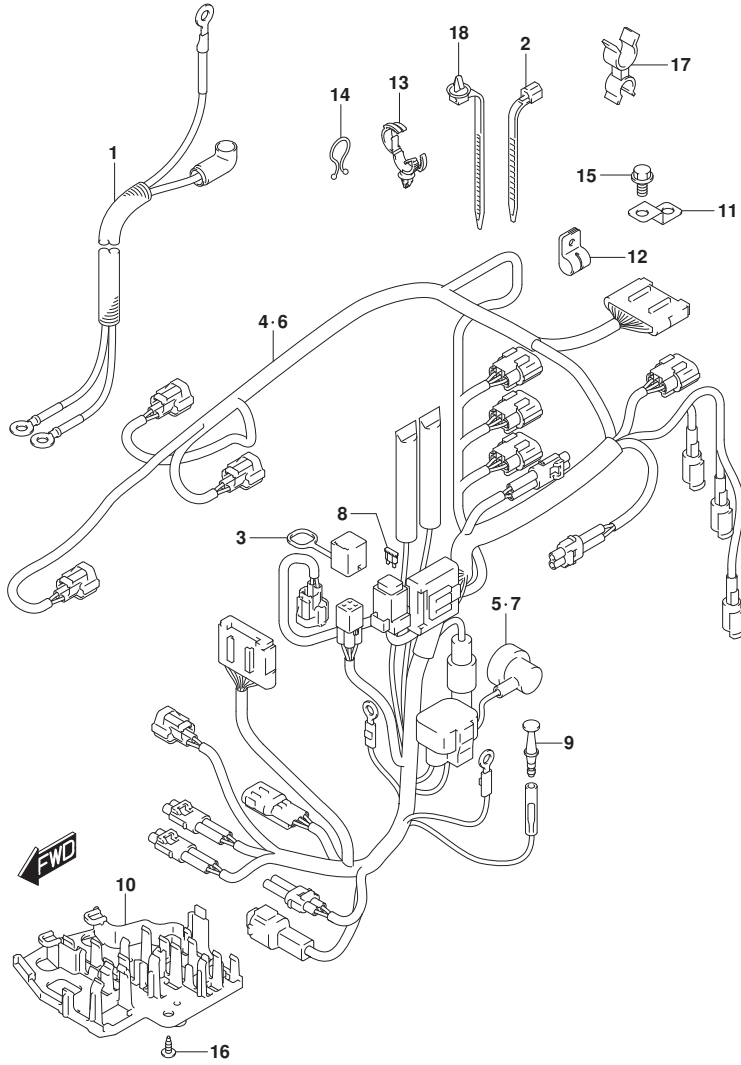


FIG.322E (1-H-12) HARNESS (DF30A P40)

REF NO.	PART NO.	DESCRIPTION	Q'TY	REMARKS
1	33810-94L01	CABLE, STARTER	1	W/ELECTRIC STARTER
2	09407-18402	CLAMP (L:165)	1	W/ELECTRIC STARTER
3	33634-94L00	CAP, SERVICE CONNECTOR	1	
4	36610-94L00	HARNESS ASSY, WIRING	1	W/MANUAL STARTER
5	36618-43410	.CAP, OIL PRESSURE SWITCH	1	W/MANUAL STARTER
6	36610-94L10	HARNESS ASSY, WIRING	1	W/ELECTRIC STARTER
7	36618-43410	.CAP, OIL PRESSURE SWITCH	1	W/ELECTRIC STARTER
8	09481-30501	.FUSE (30A)	1	W/ELECTRIC STARTER
9	36615-96300	TERMINAL	1	
10	36616-94L00	HOLDER, CONNECTOR	1	
11	36617-93J10	BRACKET, HARNESS	1	
12	09403-08404	CLAMP	1	
13	09403-20308	CLAMP	1	
14	09408-00008	CLIP (ID:20)	3	
15	01550-0612C	BOLT	1	
16	03542-05169	SCREW	2	
17	09408-00054	CLAMP	1	
18	36991-94L00	CLAMP, HARNESS	1	

FIG.322F

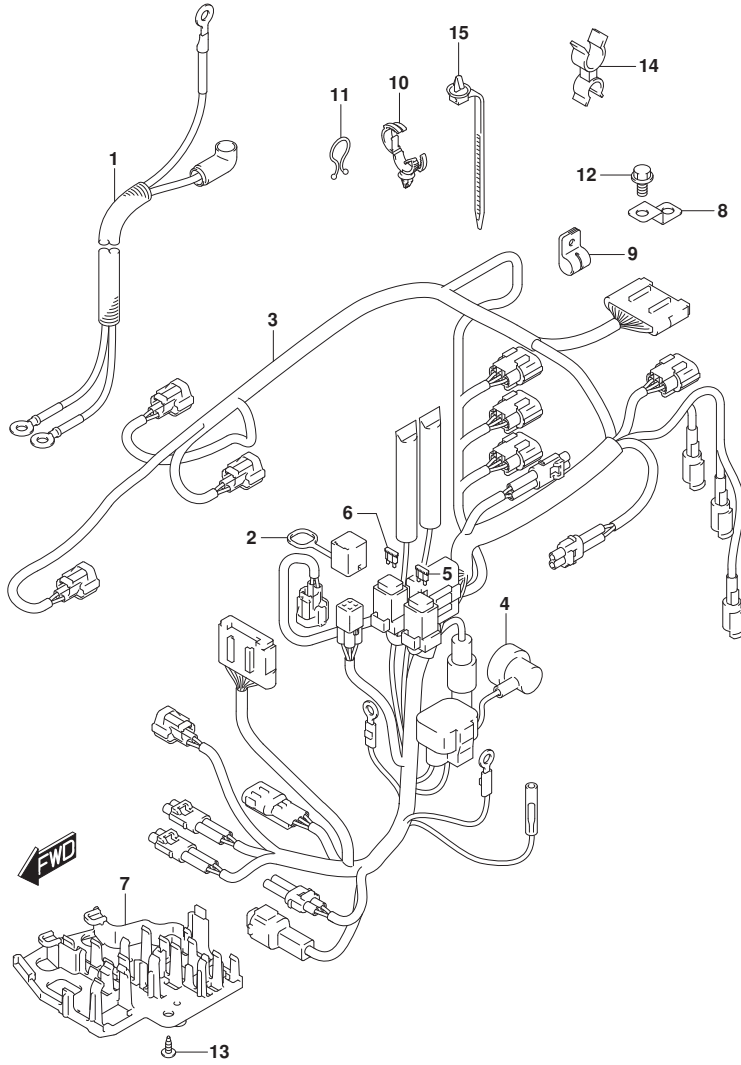


FIG.322F (1-H-13) HARNESS (DF30AR P01)

REF NO.	PART NO.	DESCRIPTION	Q'TY	REMARKS
1	33810-94L01	CABLE, STARTER	1	
2	33634-94L00	CAP, SERVICE CONNECTOR	1	
3	36610-94L20	HARNESS ASSY, WIRING	1	
4	36618-43410	.CAP, OIL PRESSURE SWITCH	1	
5	09481-10501	.FUSE (10A)	1	
6	09481-30501	.FUSE (30A)	1	
7	36616-94L00	HOLDER, CONNECTOR	1	
8	36617-93J10	BRACKET, HARNESS	1	
9	09403-08404	CLAMP	1	
10	09403-20308	CLAMP	1	
11	09408-00008	CLIP (ID:20)	3	
12	01550-0612C	BOLT	1	
13	03542-05169	SCREW	2	
14	09408-00054	CLAMP	1	
15	36991-94L00	CLAMP, HARNESS	1	

FIG.322G

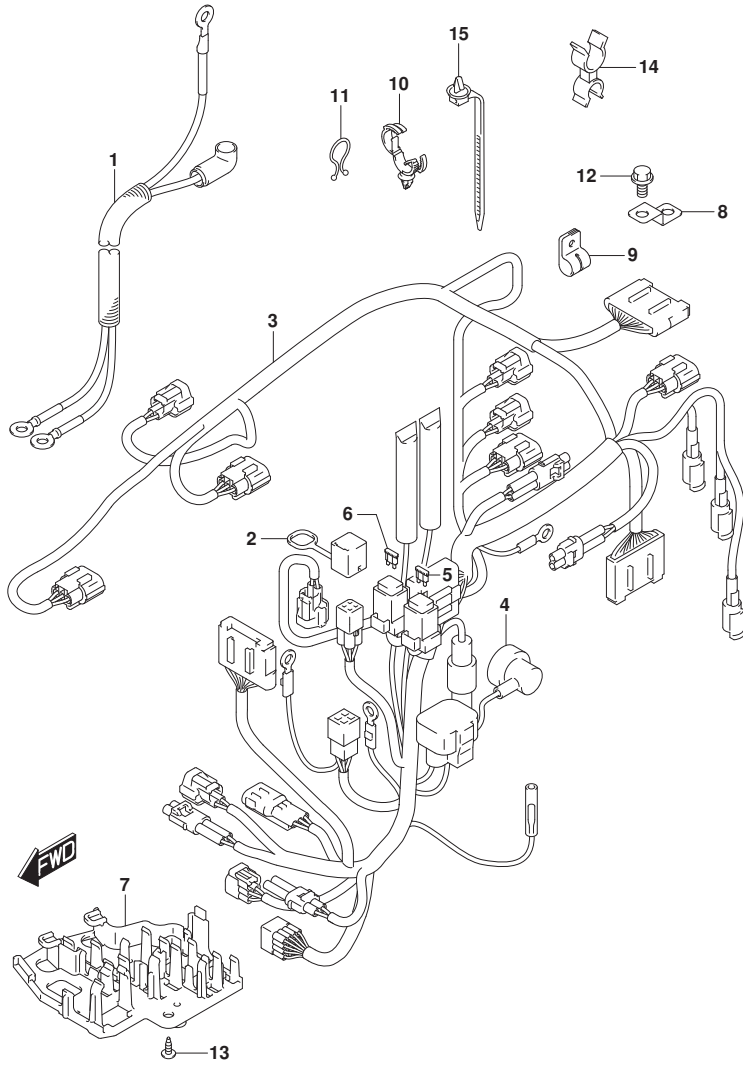


FIG.322G (1-H-14) HARNESS (DF30AT P01)

REF NO.	PART NO.	DESCRIPTION	Q'TY	REMARKS
1	33810-94L01	CABLE, STARTER	1	
2	33634-94L00	CAP, SERVICE CONNECTOR	1	
3	36610-94L41	HARNESS ASSY, WIRING	1	
4	36618-43410	.CAP, OIL PRESSURE SWITCH	1	
5	09481-10501	.FUSE (10A)	1	
6	09481-30501	.FUSE (30A)	1	
7	36616-94L00	HOLDER, CONNECTOR	1	
8	36617-93J10	BRACKET, HARNESS	1	
9	09403-08404	CLAMP	1	
10	09403-20308	CLAMP	1	
11	09408-00008	CLIP (ID:20)	3	
12	01550-0612C	BOLT	1	
13	03542-05169	SCREW	2	
14	09408-00054	CLAMP	1	
15	36991-94L00	CLAMP, HARNESS	1	

FIG.322H

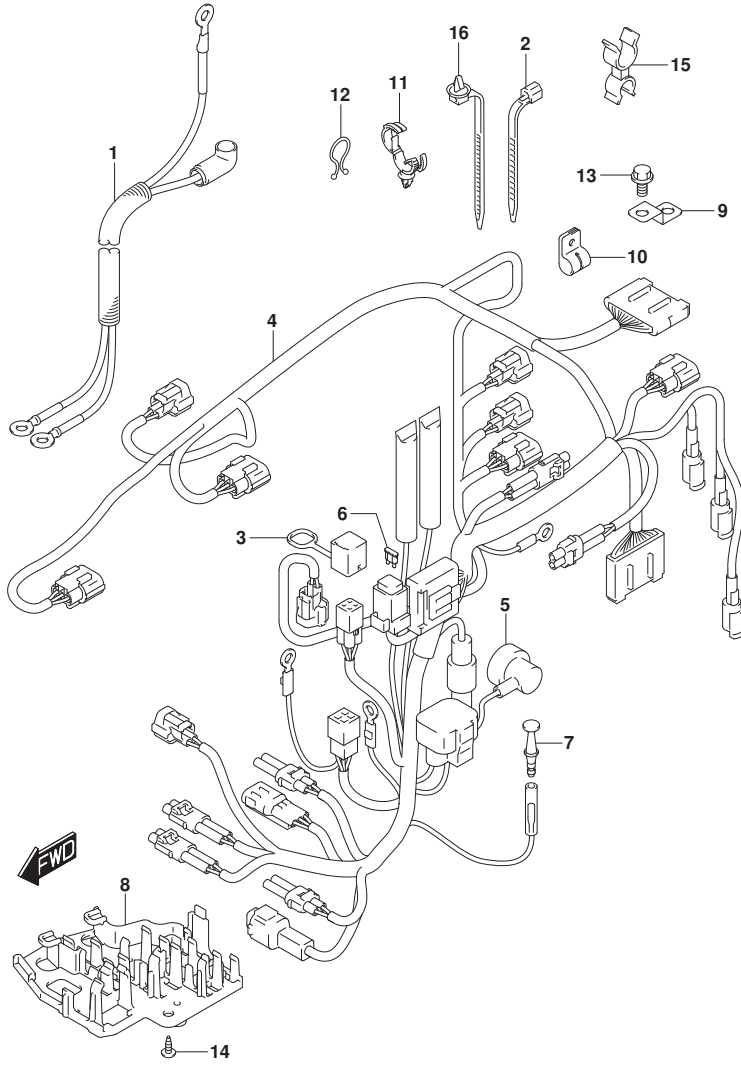


FIG.322H (1-H-15) HARNESS (DF30ATH P01)

REF NO.	PART NO.	DESCRIPTION	Q'TY	REMARKS
1	33810-94L01	CABLE, STARTER	1	
2	09407-18402	CLAMP (L:165)	1	
3	33634-94L00	CAP, SERVICE CONNECTOR	1	
4	36610-94L31	HARNESS ASSY, WIRING	1	
5	36618-43410	.CAP, OIL PRESSURE SWITCH	1	
6	09481-30501	.FUSE (30A)	1	
7	36615-96300	TERMINAL	1	
8	36616-94L00	HOLDER, CONNECTOR	1	
9	36617-93J10	BRACKET, HARNESS	1	
10	09403-08404	CLAMP	1	
11	09403-20308	CLAMP	1	
12	09408-00008	CLIP (ID:20)	3	
13	01550-0612C	BOLT	1	
14	03542-05169	SCREW	2	
15	09408-00054	CLAMP	1	
16	36991-94L00	CLAMP, HARNESS	1	

FIG.322J

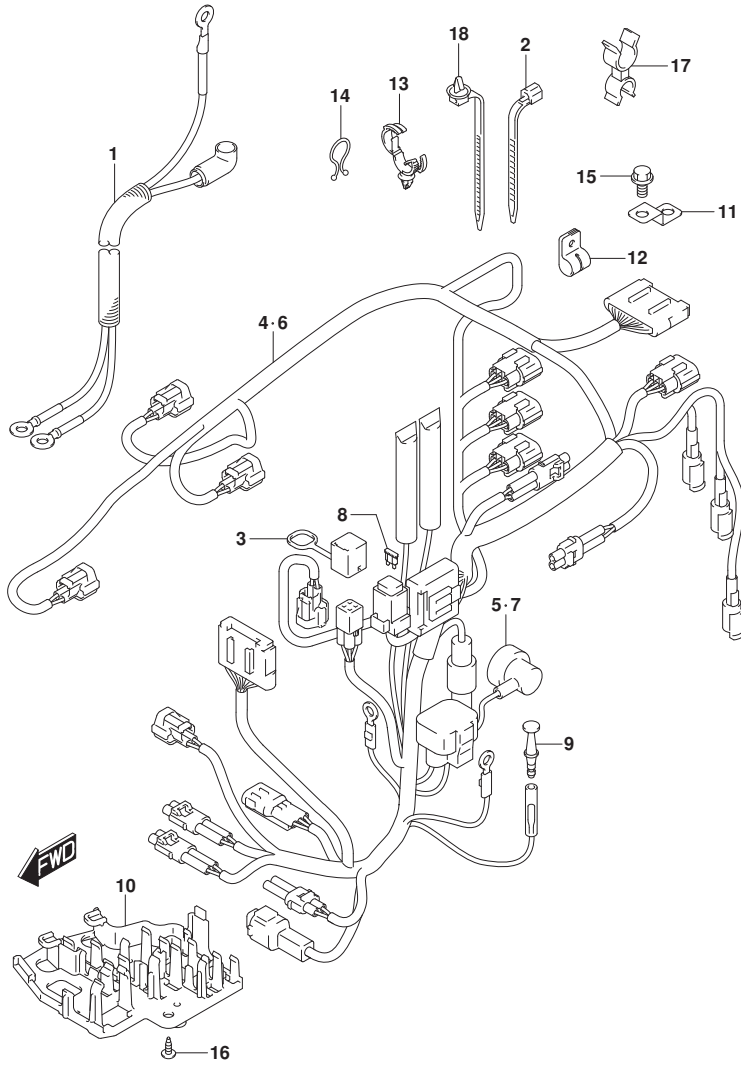


FIG.322J (1-I-2) HARNESS (DF30AQ P01)

REF NO.	PART NO.	DESCRIPTION	Q'TY	REMARKS
1	33810-94L01	CABLE, STARTER	1	W/ELECTRIC STARTER
2	09407-18402	CLAMP (L:165)	1	W/ELECTRIC STARTER
3	33634-94L00	CAP, SERVICE CONNECTOR	1	
4	36610-94L00	HARNESS ASSY, WIRING	1	W/MANUAL STARTER
5	36618-43410	.CAP, OIL PRESSURE SWITCH	1	W/MANUAL STARTER
6	36610-94L10	HARNESS ASSY, WIRING	1	W/ELECTRIC STARTER
7	36618-43410	.CAP, OIL PRESSURE SWITCH	1	W/ELECTRIC STARTER
8	09481-30501	.FUSE (30A)	1	W/ELECTRIC STARTER
9	36615-96300	TERMINAL	1	
10	36616-94L00	HOLDER, CONNECTOR	1	
11	36617-93J10	BRACKET, HARNESS	1	
12	09403-08404	CLAMP	1	
13	09403-20308	CLAMP	1	
14	09408-00008	CLIP (ID:20)	3	
15	01550-0612C	BOLT	1	
16	03542-05169	SCREW	2	
17	09408-00054	CLAMP	1	
18	36991-94L00	CLAMP, HARNESS	1	

FIG.327A

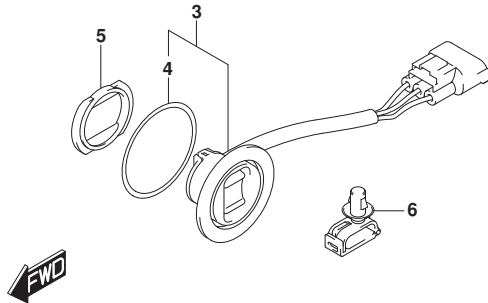
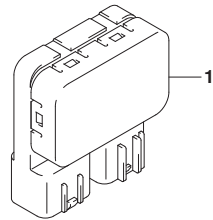
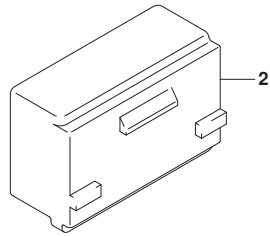


FIG.327A (1-1-3) PTT SWITCH (DF25AT P01)

REF NO.	PART NO.	DESCRIPTION	Q'TY	REMARKS
1	38410-93J20	RELAY ASSY, PTT	1	
2	38415-94L00	HOLDER, PTT RELAY	1	
3	37850-92J00	SWITCH ASSY, PTT	1	
4	37856-92J00	.TAPE, PTT SWITCH	1	
5	37857-92J00	BUSH, PTT SWITCH	1	
6	09403-07340	CLAMP	1	

FIG.327B

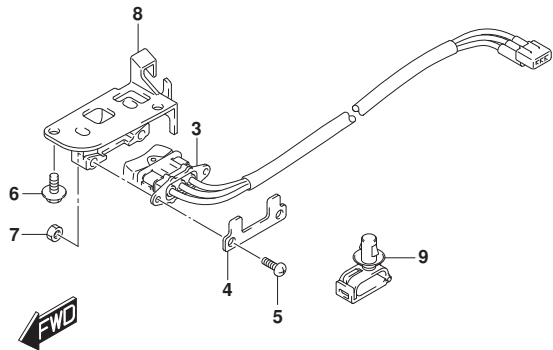
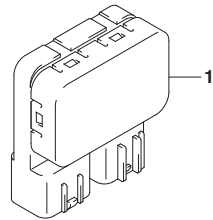
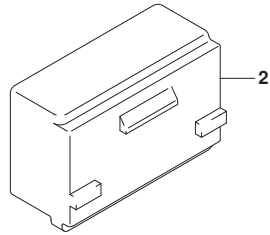


FIG.327B (1-I-4) PTT SWITCH (DF25ATH P01)

REF NO.	PART NO.	DESCRIPTION	Q'TY	REMARKS
1	38410-93J20	RELAY ASSY, PTT	1	
2	38415-94L00	HOLDER, PTT RELAY	1	
3	37850-94L01	SWITCH ASSY, PTT	1	
4	37852-94JA0	PLATE, PTT SWITCH	1	
5	09125-05046	SCREW (5X12)	2	
6	29103-93J00	BOLT, PTT SW BRACKET (6X12)	2	
7	09140-05005	NUT	2	
8	37851-89L00	HOLDER, PTT SWITCH	1	
9	09403-07340	CLAMP	1	

FIG.327C

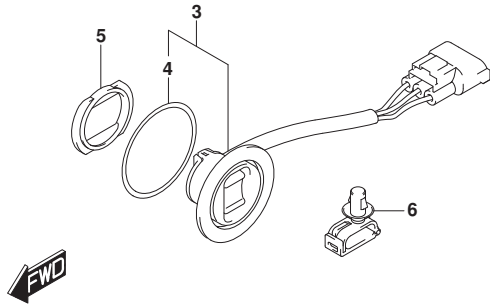
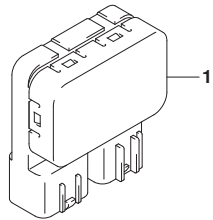
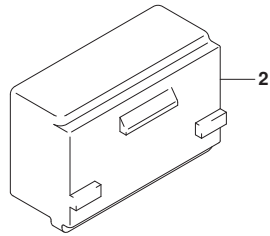


FIG.327C (1-1-5) PTT SWITCH (DF30AT P01)

REF NO.	PART NO.	DESCRIPTION	Q'TY	REMARKS
1	38410-93J20	RELAY ASSY, PTT	1	
2	38415-94L00	HOLDER, PTT RELAY	1	
3	37850-92J00	SWITCH ASSY, PTT	1	
4	37856-92J00	.TAPE, PTT SWITCH	1	
5	37857-92J00	BUSH, PTT SWITCH	1	
6	09403-07340	CLAMP	1	

FIG.327D

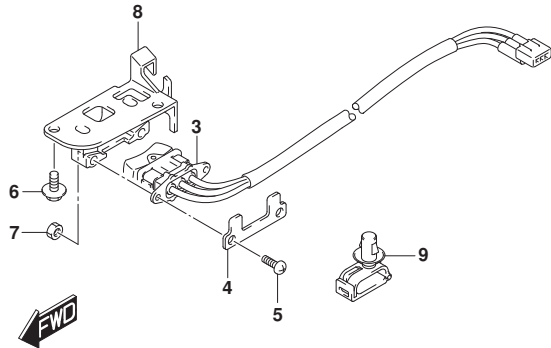
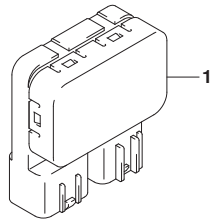
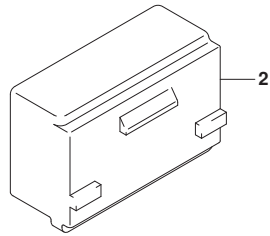


FIG.327D (1-I-6) PTT SWITCH (DF30ATH P01)

REF NO.	PART NO.	DESCRIPTION	Q'TY	REMARKS
1	38410-93J20	RELAY ASSY, PTT	1	
2	38415-94L00	HOLDER, PTT RELAY	1	
3	37850-94L01	SWITCH ASSY, PTT	1	
4	37852-94JA0	PLATE, PTT SWITCH	1	
5	09125-05046	SCREW (5X12)	2	
6	29103-93J00	BOLT, PTT SW BRACKET (6X12)	2	
7	09140-05005	NUT	2	
8	37851-89L00	HOLDER, PTT SWITCH	1	
9	09403-07340	CLAMP	1	

FIG.334A

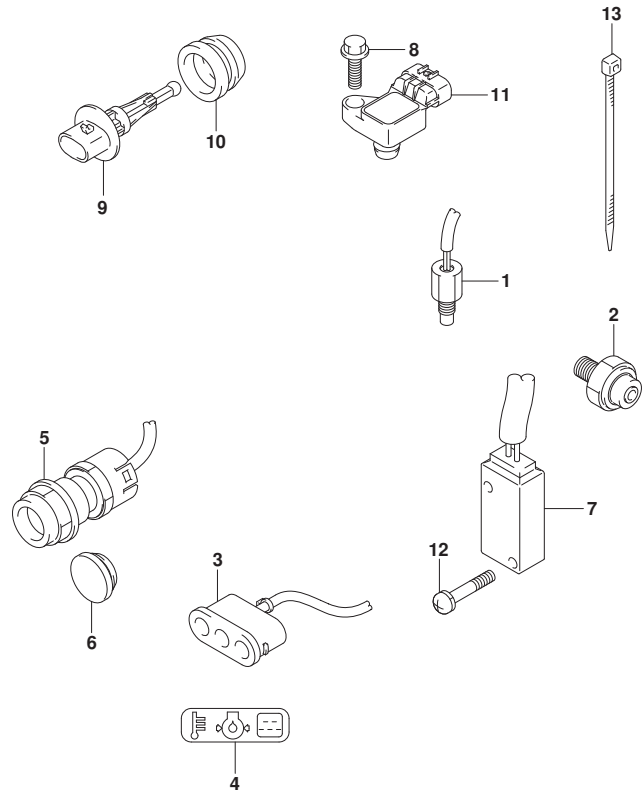


FIG.334A (1-I-7) SENSOR/SWITCH (DF25A P01)

REF NO.	PART NO.	DESCRIPTION	Q'TY	REMARKS
1	13640-32G20	SENSOR, ENGINE TEMP	1	
2	37820-80002	SWITCH ASSY, OIL PRESSURE	1	
3	36360-94L00	INDICATOR, WARNING	1	
4	36367-89L00	LABEL, WARNING	1	
5	37161-89L02	SWITCH ASSY, STARTER MOTOR	1	W/ELECTRIC STARTER
6	37163-89L00	PLUG, STARTING SWITCH HOLE	1	W/MANUAL STARTER
7	37721-94L00	SWITCH ASSY, NEUTRAL	1	
8	01550-0620C	BOLT	1	
9	13650-52G00	SENSOR, INLET AIR TEMP	1	
10	13655-87J00	GROMMET, AIR TEMP SENSOR	1	
11	18590-58M00	SENSOR, PRESSURE	1	
12	09137-03008	SCREW (3X18)	2	
13	09407-14407	CLAMP (L:145)	1	



FIG.334B

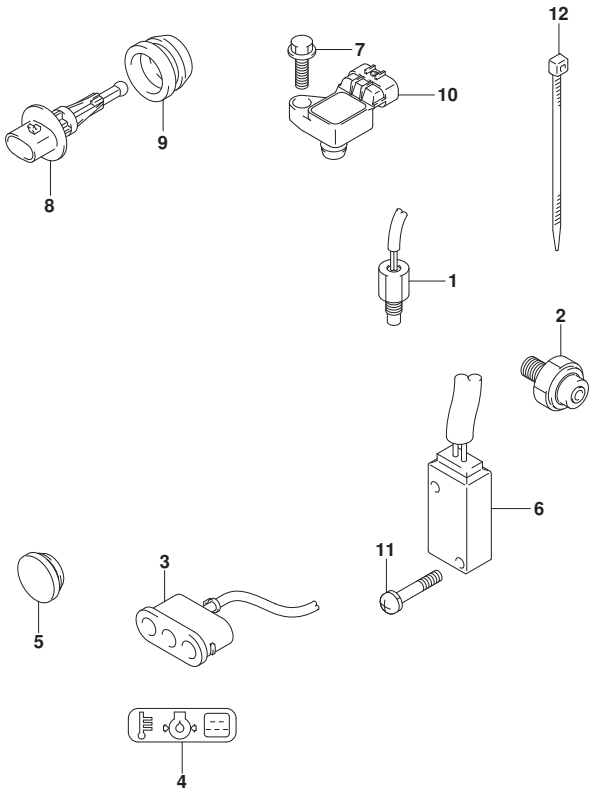


FIG.334B (1-1-8) SENSOR/SWITCH (DF25AR P01)

REF NO.	PART NO.	DESCRIPTION	Q'TY	REMARKS
1	13640-32G20	SENSOR, ENGINE TEMP	1	
2	37820-80002	SWITCH ASSY, OIL PRESSURE	1	
3	36360-94L00	INDICATOR, WARNING	1	
4	36367-89L00	LABEL, WARNING	1	
5	37163-89L00	PLUG, STARTING SWITCH HOLE	1	
6	37721-94L00	SWITCH ASSY, NEUTRAL	1	
7	01550-0620C	BOLT	1	
8	13650-52G00	SENSOR, INLET AIR TEMP	1	
9	13655-87J00	GROMMET, AIR TEMP SENSOR	1	
10	18590-58M00	SENSOR, PRESSURE	1	
11	09137-03008	SCREW (3X18)	2	
12	09407-14407	CLAMP (L:145)	1	



FIG.334C

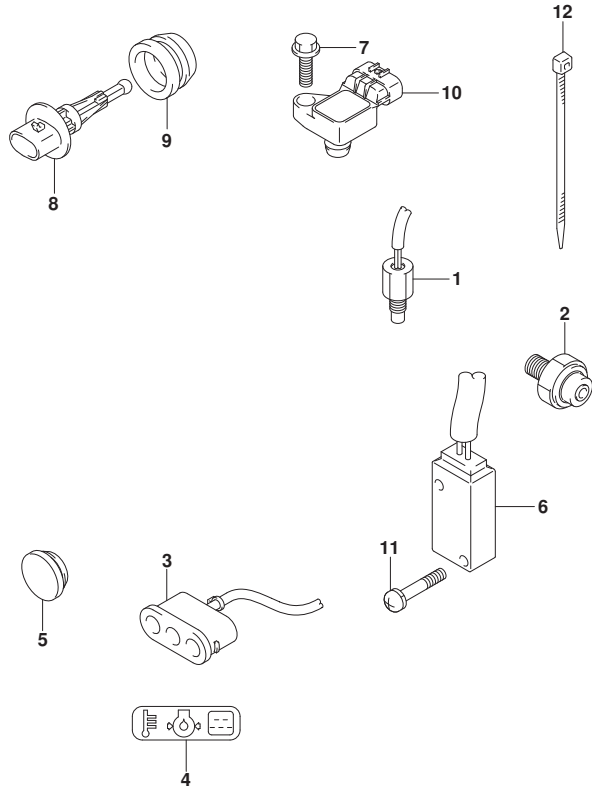


FIG.334C (1-I-9) SENSOR/SWITCH (DF25AT P01)

REF NO.	PART NO.	DESCRIPTION	Q'TY	REMARKS
1	13640-32G20	SENSOR, ENGINE TEMP	1	
2	37820-80002	SWITCH ASSY, OIL PRESSURE	1	
3	36360-94L00	INDICATOR, WARNING	1	
4	36367-89L00	LABEL, WARNING	1	
5	37163-89L00	PLUG, STARTING SWITCH HOLE	1	
6	37721-94L00	SWITCH ASSY, NEUTRAL	1	
7	01550-0620C	BOLT	1	
8	13650-52G00	SENSOR, INLET AIR TEMP	1	
9	13655-87J00	GROMMET, AIR TEMP SENSOR	1	
10	18590-58M00	SENSOR, PRESSURE	1	
11	09137-03008	SCREW (3X18)	2	
12	09407-14407	CLAMP (L:145)	1	



FIG.334D

FIG.334D (1-I-10) SENSOR/SWITCH (DF25ATH P01)

REF NO.	PART NO.	DESCRIPTION	Q'TY	REMARKS
1	13640-32G20	SENSOR, ENGINE TEMP	1	
2	37820-80002	SWITCH ASSY, OIL PRESSURE	1	
3	36360-94L00	INDICATOR, WARNING	1	
4	36367-89L00	LABEL, WARNING	1	
5	37161-89L02	SWITCH ASSY, STARTER MOTOR	1	
6	37721-94L00	SWITCH ASSY, NEUTRAL	1	
7	01550-0620C	BOLT	1	
8	13650-52G00	SENSOR, INLET AIR TEMP	1	
9	13655-87J00	GROMMET, AIR TEMP SENSOR	1	
10	18590-58M00	SENSOR, PRESSURE	1	
11	09137-03008	SCREW (3X18)	2	
12	09407-14407	CLAMP (L:145)	1	

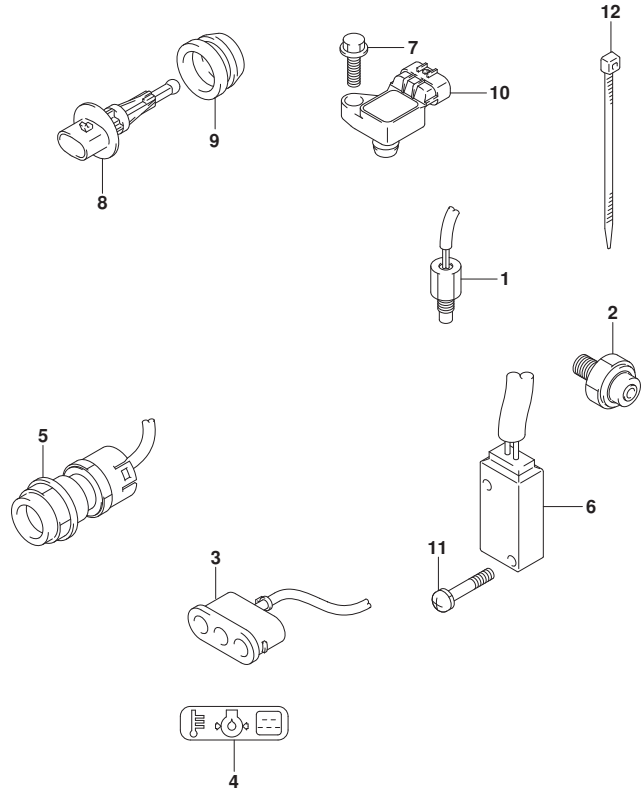


FIG.334E

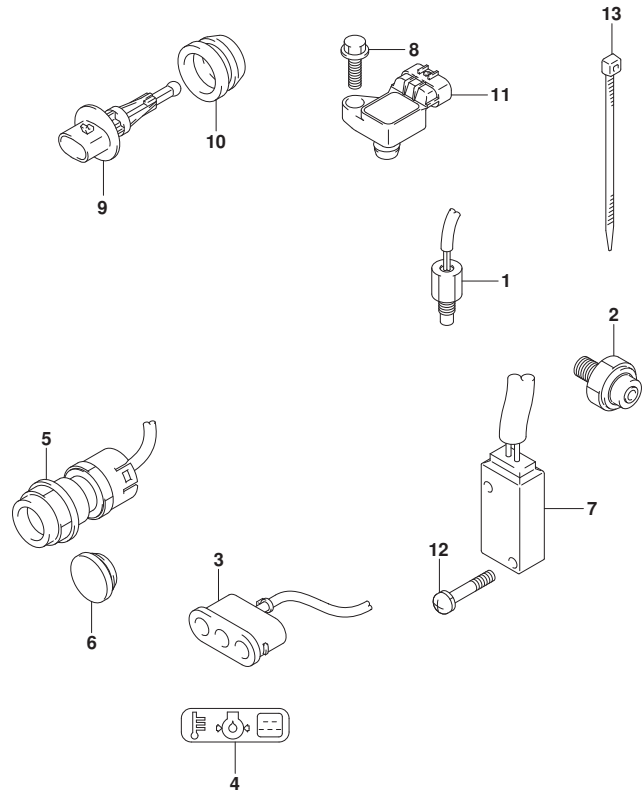


FIG.334E (1-I-11) SENSOR/SWITCH (DF30A P40)

REF NO.	PART NO.	DESCRIPTION	Q'TY	REMARKS
1	13640-32G20	SENSOR, ENGINE TEMP	1	
2	37820-80002	SWITCH ASSY, OIL PRESSURE	1	
3	36360-94L00	INDICATOR, WARNING	1	
4	36367-89L00	LABEL, WARNING	1	
5	37161-89L02	SWITCH ASSY, STARTER MOTOR	1	W/ELECTRIC STARTER
6	37163-89L00	PLUG, STARTING SWITCH HOLE	1	W/MANUAL STARTER
7	37721-94L00	SWITCH ASSY, NEUTRAL	1	
8	01550-0620C	BOLT	1	
9	13650-52G00	SENSOR, INLET AIR TEMP	1	
10	13655-87J00	GROMMET, AIR TEMP SENSOR	1	
11	18590-58M00	SENSOR, PRESSURE	1	
12	09137-03008	SCREW (3X18)	2	
13	09407-14407	CLAMP (L:145)	1	



FIG.334F

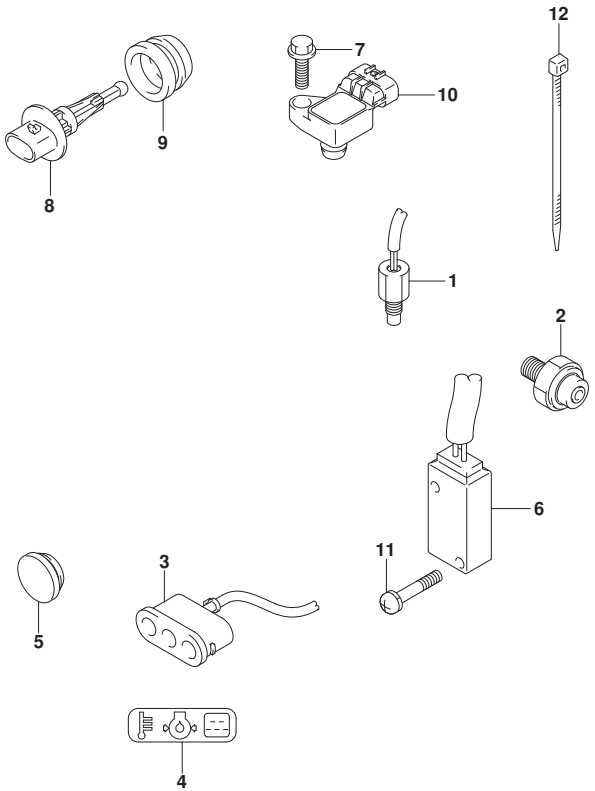


FIG.334F (1-I-12) SENSOR/SWITCH (DF30AR P01)

REF NO.	PART NO.	DESCRIPTION	Q'TY	REMARKS
1	13640-32G20	SENSOR, ENGINE TEMP	1	
2	37820-80002	SWITCH ASSY, OIL PRESSURE	1	
3	36360-94L00	INDICATOR, WARNING	1	
4	36367-89L00	LABEL, WARNING	1	
5	37163-89L00	PLUG, STARTING SWITCH HOLE	1	
6	37721-94L00	SWITCH ASSY, NEUTRAL	1	
7	01550-0620C	BOLT	1	
8	13650-52G00	SENSOR, INLET AIR TEMP	1	
9	13655-87J00	GROMMET, AIR TEMP SENSOR	1	
10	18590-58M00	SENSOR, PRESSURE	1	
11	09137-03008	SCREW (3X18)	2	
12	09407-14407	CLAMP (L:145)	1	



FIG.334G

FIG.334G (1-1-13) SENSOR/SWITCH (DF30AT P01)

REF NO.	PART NO.	DESCRIPTION	Q'TY	REMARKS
1	13640-32G20	SENSOR, ENGINE TEMP	1	
2	37820-80002	SWITCH ASSY, OIL PRESSURE	1	
3	36360-94L00	INDICATOR, WARNING	1	
4	36367-89L00	LABEL, WARNING	1	
5	37163-89L00	PLUG, STARTING SWITCH HOLE	1	
6	37721-94L00	SWITCH ASSY, NEUTRAL	1	
7	01550-0620C	BOLT	1	
8	13650-52G00	SENSOR, INLET AIR TEMP	1	
9	13655-87J00	GROMMET, AIR TEMP SENSOR	1	
10	18590-58M00	SENSOR, PRESSURE	1	
11	09137-03008	SCREW (3X18)	2	
12	09407-14407	CLAMP (L:145)	1	

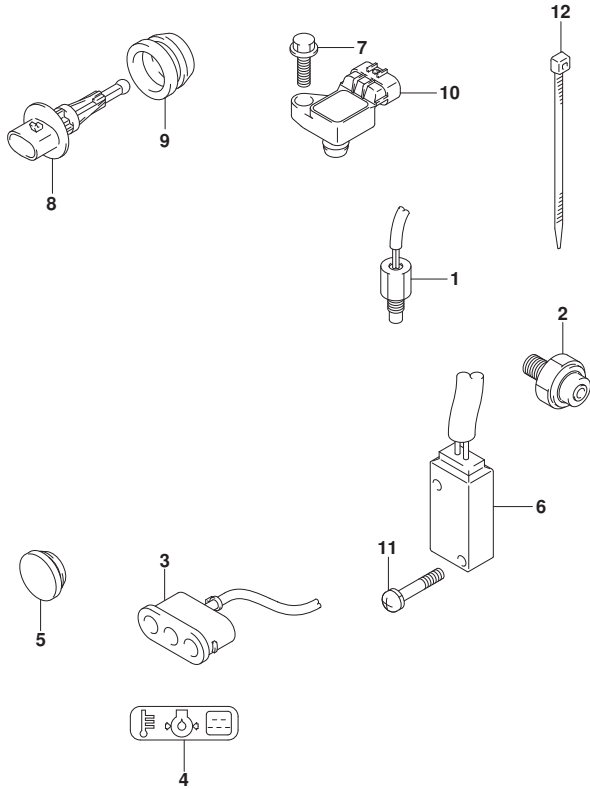


FIG.334H

FIG.334H (1-1-14) SENSOR/SWITCH (DF30ATH P01)

REF NO.	PART NO.	DESCRIPTION	Q'TY	REMARKS
1	13640-32G20	SENSOR, ENGINE TEMP	1	
2	37820-80002	SWITCH ASSY, OIL PRESSURE	1	
3	36360-94L00	INDICATOR, WARNING	1	
4	36367-89L00	LABEL, WARNING	1	
5	37161-89L02	SWITCH ASSY, STARTER MOTOR	1	
6	37721-94L00	SWITCH ASSY, NEUTRAL	1	
7	01550-0620C	BOLT	1	
8	13650-52G00	SENSOR, INLET AIR TEMP	1	
9	13655-87J00	GROMMET, AIR TEMP SENSOR	1	
10	18590-58M00	SENSOR, PRESSURE	1	
11	09137-03008	SCREW (3X18)	2	
12	09407-14407	CLAMP (L:145)	1	

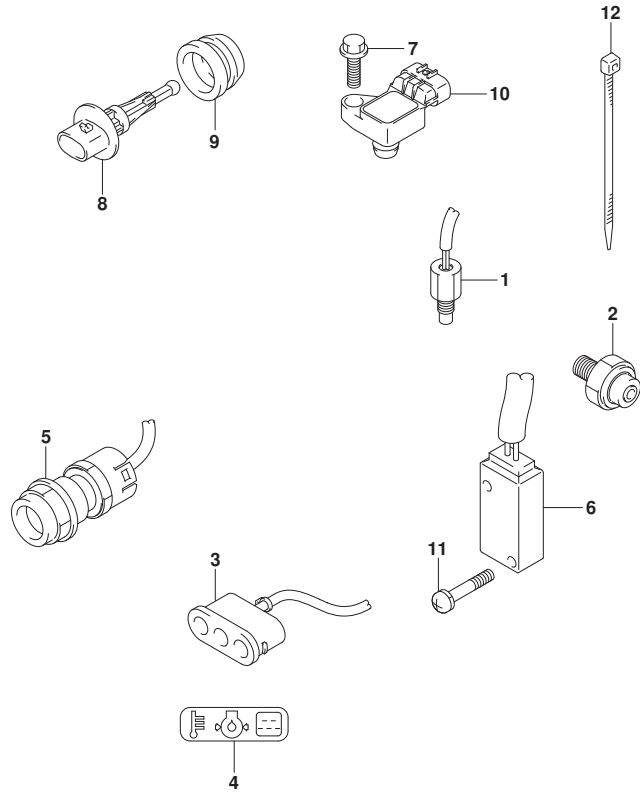


FIG.334J

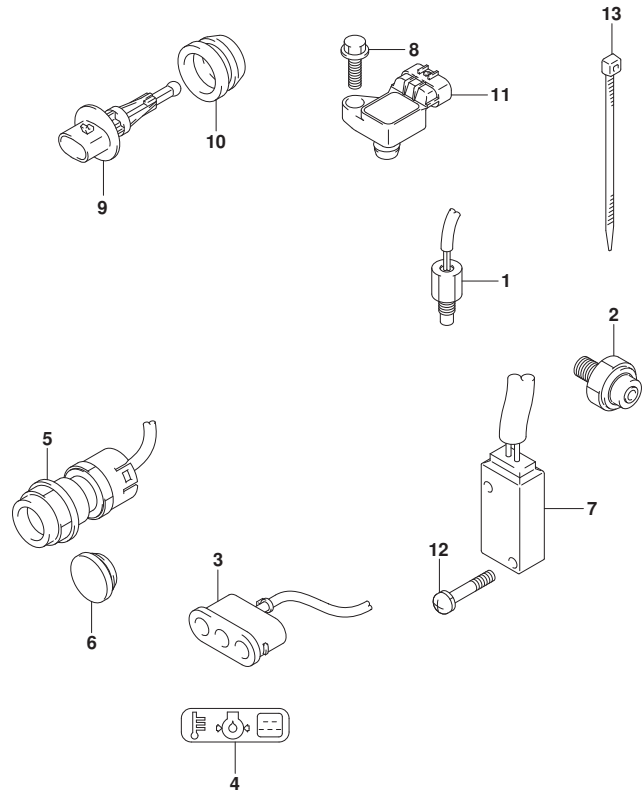


FIG.334J (1-I-15) SENSOR/SWITCH (DF30AQ P01)

REF NO.	PART NO.	DESCRIPTION	Q'TY	REMARKS
1	13640-32G20	SENSOR, ENGINE TEMP	1	
2	37820-80002	SWITCH ASSY, OIL PRESSURE	1	
3	36360-94L00	INDICATOR, WARNING	1	
4	36367-89L00	LABEL, WARNING	1	
5	37161-89L02	SWITCH ASSY, STARTER MOTOR	1	W/ELECTRIC STARTER
6	37163-89L00	PLUG, STARTING SWITCH HOLE	1	W/MANUAL STARTER
7	37721-94L00	SWITCH ASSY, NEUTRAL	1	
8	01550-0620C	BOLT	1	
9	13650-52G00	SENSOR, INLET AIR TEMP	1	
10	13655-87J00	GROMMET, AIR TEMP SENSOR	1	
11	18590-58M00	SENSOR, PRESSURE	1	
12	09137-03008	SCREW (3X18)	2	
13	09407-14407	CLAMP (L:145)	1	



FIG.335A

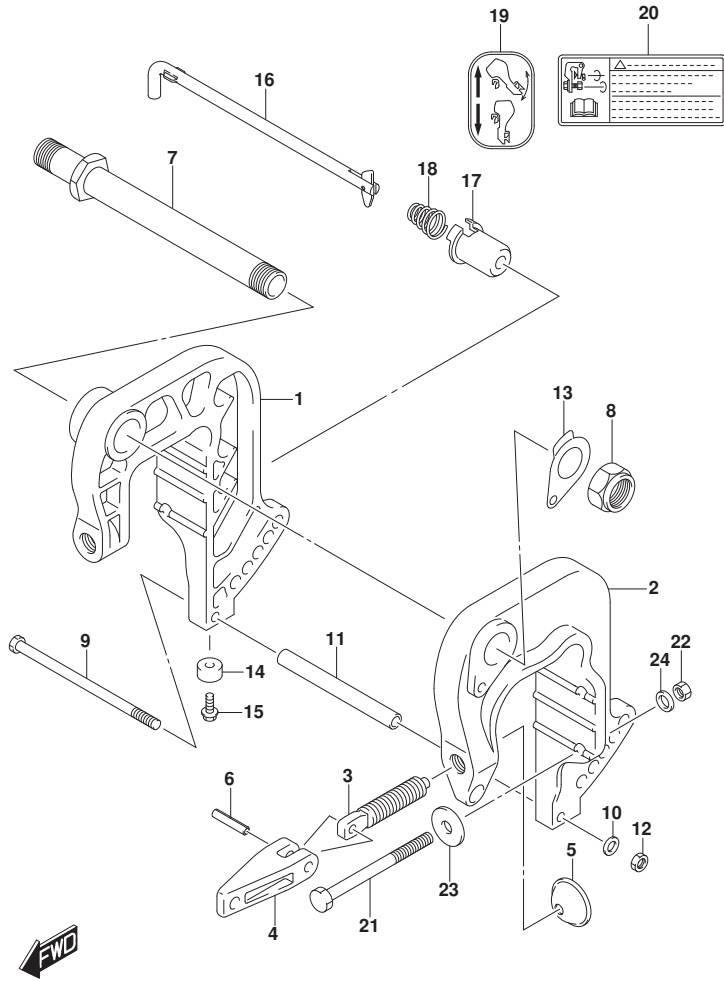


FIG.335A (1-J-2) CLAMP BRACKET (DF25A P01)

REF NO.	PART NO.	DESCRIPTION	Q'TY	REMARKS
1	41111-94L00-YAY	BRACKET, CLAMP STBD (BLACK)	1	
2	41121-94L00-YAY	BRACKET, CLAMP PORT (BLACK)	1	
3	41211-94L00	SCREW, CLAMP	2	
4	41212-91J00	HANDLE, CLAMP	2	
5	41213-94J01	PLATE, CLAMP	2	
6	09205-06021	PIN, SPRING (6X25)	2	
7	41130-91L01	SHAFT, CLAMP BRACKET	1	
8	09159-22006	NUT	1	
9	09100-06165	BOLT (6X180)	1	
10	09160-06082	WASHER (6.5X13X1.0)	1	
11	09180-06342	SPACER (6.1X9X138)	1	
12	29141-93J00	NUT	1	
13	41135-93J11	WASHER, CLAMP BRACKET SHAFT	1	
14-1	55321-87J01	ANODE, PROTECTION	2	
14-2	55321-87J11	ANODE, MAGNESIUM	1	OPT
15	09103-06281	BOLT (6X14)	2	
16	45420-94L00	PIN, TILT LOCK	1	
17	45425-94J01	STOPPER, TILT LOCK PIN	1	
18	59442-94L00	SPRING	1	
19	45269-89L00	MARK, REVERSE LOCK	1	
20	69911-91J50	MARK, CLAMP BRACKET	1	
21	09100-10309	BOLT (10X110)	2	
22	09159-10050	NUT	2	
23	09160-10139	WASHER (10.5X35X3)	2	
24	09160-10140	WASHER (10.5X18X3)	2	

FIG.335B

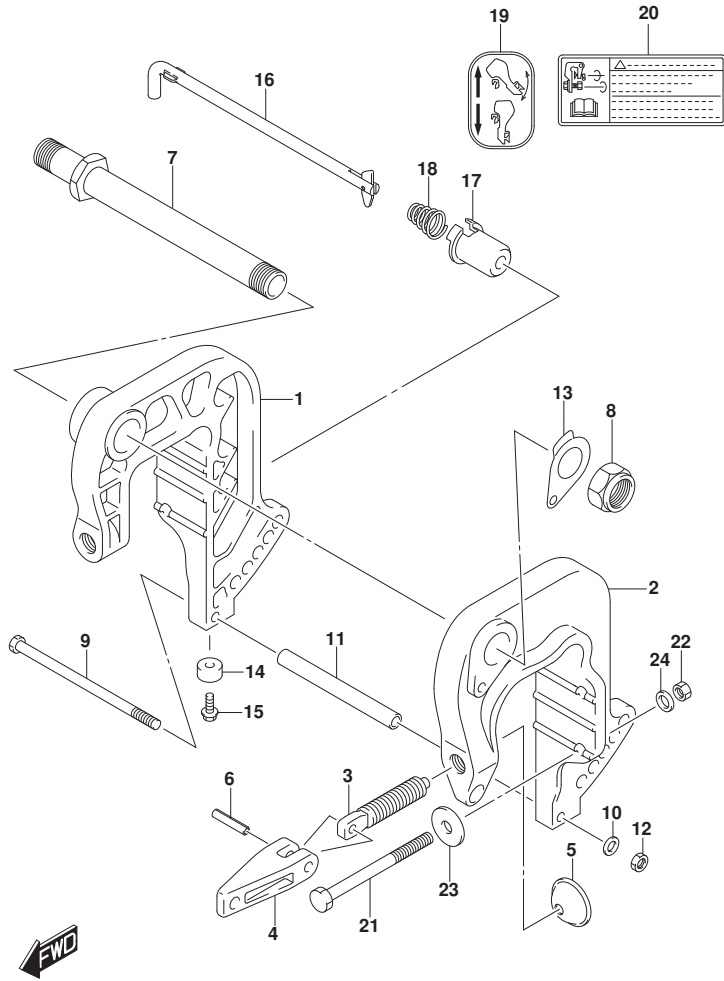


FIG.335B (1-J-3) CLAMP BRACKET (DF25AR P01)

REF NO.	PART NO.	DESCRIPTION	Q'TY	REMARKS
1	41111-94L00-YAY	BRACKET, CLAMP STBD (BLACK)	1	
2	41121-94L00-YAY	BRACKET, CLAMP PORT (BLACK)	1	
3	41211-94L00	SCREW, CLAMP	2	
4	41212-91J00	HANDLE, CLAMP	2	
5	41213-94J01	PLATE, CLAMP	2	
6	09205-06021	PIN, SPRING (6X25)	2	
7	41130-91L01	SHAFT, CLAMP BRACKET	1	
8	09159-22006	NUT	1	
9	09100-06165	BOLT (6X180)	1	
10	09160-06082	WASHER (6.5X13X1.0)	1	
11	09180-06342	SPACER (6.1X9X138)	1	
12	29141-93J00	NUT	1	
13	41135-93J11	WASHER, CLAMP BRACKET SHAFT	1	
14-1	55321-87J01	ANODE, PROTECTION	2	
14-2	55321-87J11	ANODE, MAGNESIUM	1	OPT
15	09103-06281	BOLT (6X14)	2	
16	45420-94L00	PIN, TILT LOCK	1	
17	45425-94J01	STOPPER, TILT LOCK PIN	1	
18	59442-94L00	SPRING	1	
19	45269-89L00	MARK, REVERSE LOCK	1	
20	69911-91J50	MARK, CLAMP BRACKET	1	
21	09100-10309	BOLT (10X110)	2	
22	09159-10050	NUT	2	
23	09160-10139	WASHER (10.5X35X3)	2	
24	09160-10140	WASHER (10.5X18X3)	2	

FIG.335C

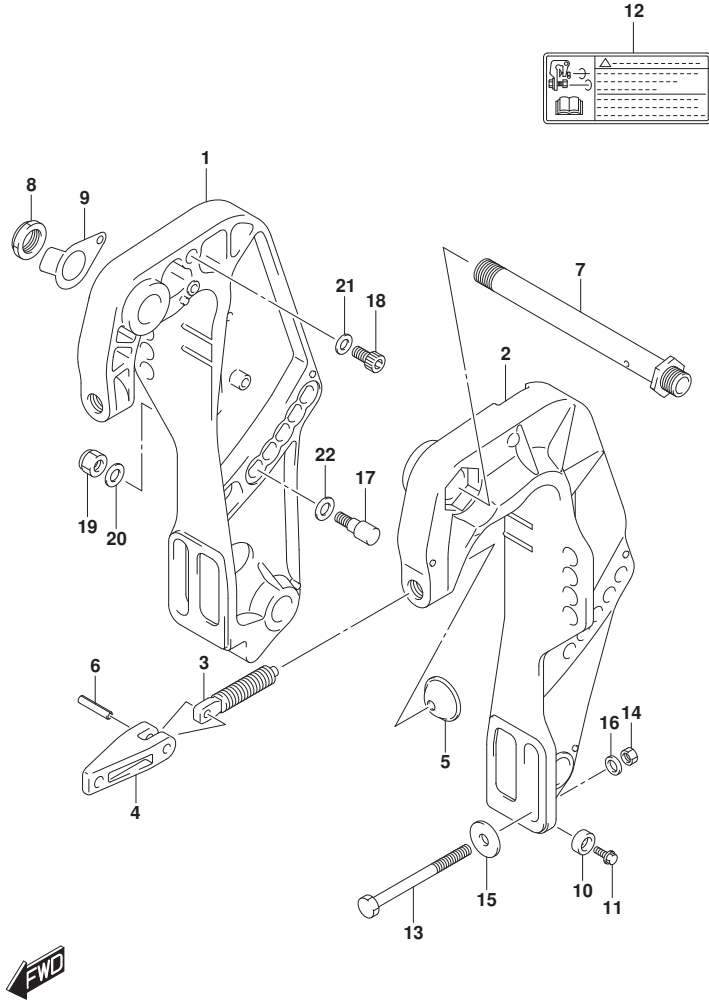


FIG.335C (1-J-4) CLAMP BRACKET (DF25AT P01)

REF NO.	PART NO.	DESCRIPTION	Q'TY	REMARKS
1	41111-94LA0-YAY	BRACKET, CLAMP STBD (BLACK)	1	
2	41121-94LA0-YAY	BRACKET, CLAMP PORT (BLACK)	1	
3	41211-94LA0	SCREW, CLAMP	2	
4	41212-91J00	HANDLE, CLAMP	2	
5	41213-94J01	PLATE, CLAMP	2	
6	09205-06021	PIN, SPRING (6X25)	2	
7	41130-94LA0	SHAFT, CLAMP BRACKET	1	
8	09159-22006	NUT	1	
9	41135-93J11	WASHER, CLAMP BRACKET SHAFT	1	
10-1	55321-87J01	ANODE, PROTECTION	2	
10-2	55321-87J11	ANODE, MAGNESIUM	1	OPT
11	09103-06281	BOLT (6X14)	2	
12	69911-91J50	MARK, CLAMP BRACKET	1	
13	09100-12093	BOLT (12X100)	4	
14	09159-12014	NUT	4	
15	09160-12044	WASHER (12.5X35X3.2)	4	
16	09160-12110	WASHER (12.5X22X3)	4	
17	45421-94LA0	PIN, TILT LOCK	2	
18	09106-10065	BOLT (10X20)	2	
19	09159-10050	NUT	2	
20	09160-10082	WASHER (10.5X19X2)	2	
21	09160-10082	WASHER (10.5X19X2)	2	
22	09160-12066	WASHER (12.5X22X2.5)	2	

FIG.335D

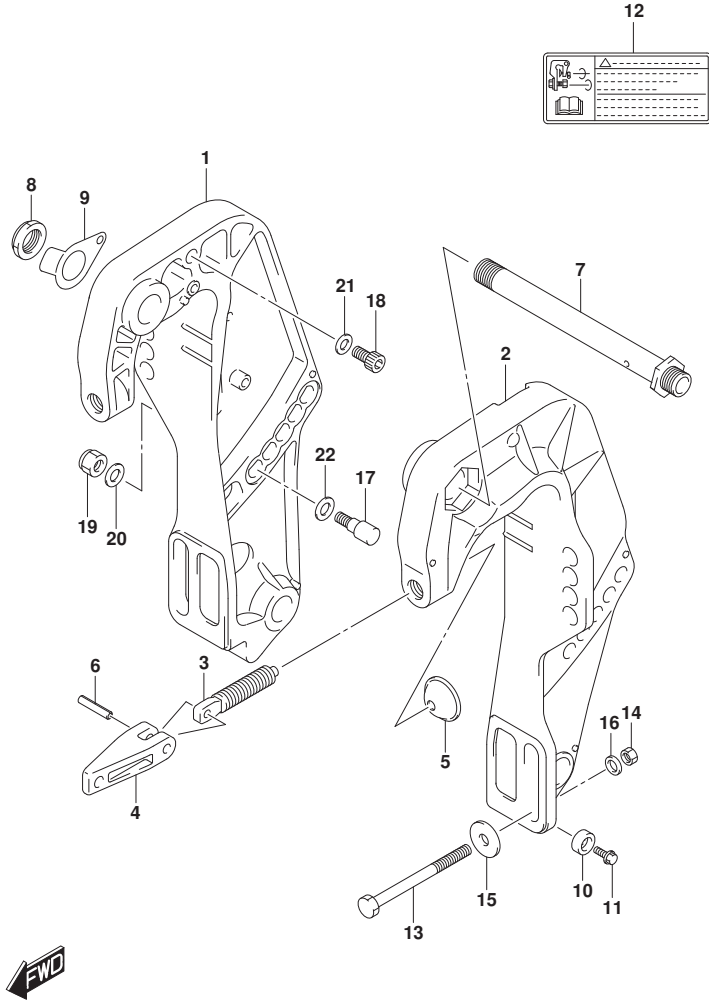


FIG.335D (1-J-5) CLAMP BRACKET (DF25ATH P01)

REF NO.	PART NO.	DESCRIPTION	Q'TY	REMARKS
1	41111-94LA0-YAY	BRACKET, CLAMP STBD (BLACK)	1	
2	41121-94LA0-YAY	BRACKET, CLAMP PORT (BLACK)	1	
3	41211-94LA0	SCREW, CLAMP	2	
4	41212-91J00	HANDLE, CLAMP	2	
5	41213-94J01	PLATE, CLAMP	2	
6	09205-06021	PIN, SPRING (6X25)	2	
7	41130-94LA0	SHAFT, CLAMP BRACKET	1	
8	09159-22006	NUT	1	
9	41135-93J11	WASHER, CLAMP BRACKET SHAFT	1	
10-1	55321-87J01	ANODE, PROTECTION	2	
10-2	55321-87J11	ANODE, MAGNESIUM	1	OPT
11	09103-06281	BOLT (6X14)	2	
12	69911-91J50	MARK, CLAMP BRACKET	1	
13	09100-12093	BOLT (12X100)	4	
14	09159-12014	NUT	4	
15	09160-12044	WASHER (12.5X35X3.2)	4	
16	09160-12110	WASHER (12.5X22X3)	4	
17	45421-94LA0	PIN, TILT LOCK	2	
18	09106-10065	BOLT (10X20)	2	
19	09159-10050	NUT	2	
20	09160-10082	WASHER (10.5X19X2)	2	
21	09160-10082	WASHER (10.5X19X2)	2	
22	09160-12066	WASHER (12.5X22X2.5)	2	

FIG.335E

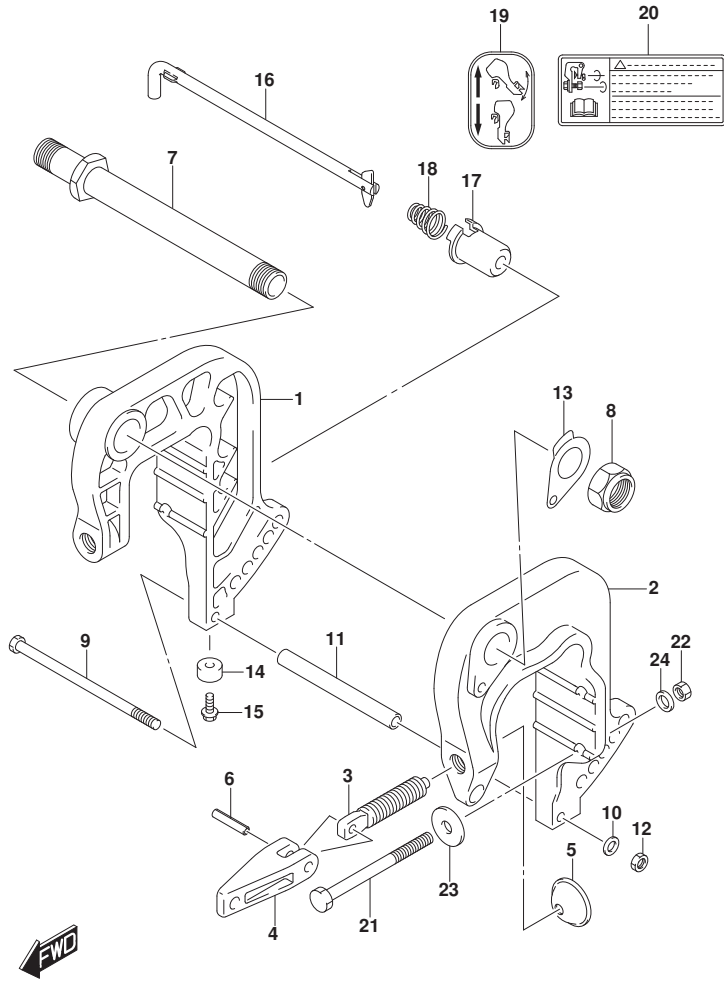


FIG.335E (1-J-6) CLAMP BRACKET (DF30A P40)

REF NO.	PART NO.	DESCRIPTION	Q'TY	REMARKS
1	41111-94L00-YAY	BRACKET, CLAMP STBD (BLACK)	1	
2	41121-94L00-YAY	BRACKET, CLAMP PORT (BLACK)	1	
3	41211-94L00	SCREW, CLAMP	2	
4	41212-91J00	HANDLE, CLAMP	2	
5	41213-94J01	PLATE, CLAMP	2	
6	09205-06021	PIN, SPRING (6X25)	2	
7	41130-91L01	SHAFT, CLAMP BRACKET	1	
8	09159-22006	NUT	1	
9	09100-06165	BOLT (6X180)	1	
10	09160-06082	WASHER (6.5X13X1.0)	1	
11	09180-06342	SPACER (6.1X9X138)	1	
12	29141-93J00	NUT	1	
13	41135-93J11	WASHER, CLAMP BRACKET SHAFT	1	
14-1	55321-87J01	ANODE, PROTECTION	2	
14-2	55321-87J11	ANODE, MAGNESIUM	1	OPT
15	09103-06281	BOLT (6X14)	2	
16	45420-94L00	PIN, TILT LOCK	1	
17	45425-94J01	STOPPER, TILT LOCK PIN	1	
18	59442-94L00	SPRING	1	
19	45269-89L00	MARK, REVERSE LOCK	1	
20	69911-91J50	MARK, CLAMP BRACKET	1	
21	09100-10309	BOLT (10X110)	2	
22	09159-10050	NUT	2	
23	09160-10139	WASHER (10.5X35X3)	2	
24	09160-10140	WASHER (10.5X18X3)	2	

FIG.335F

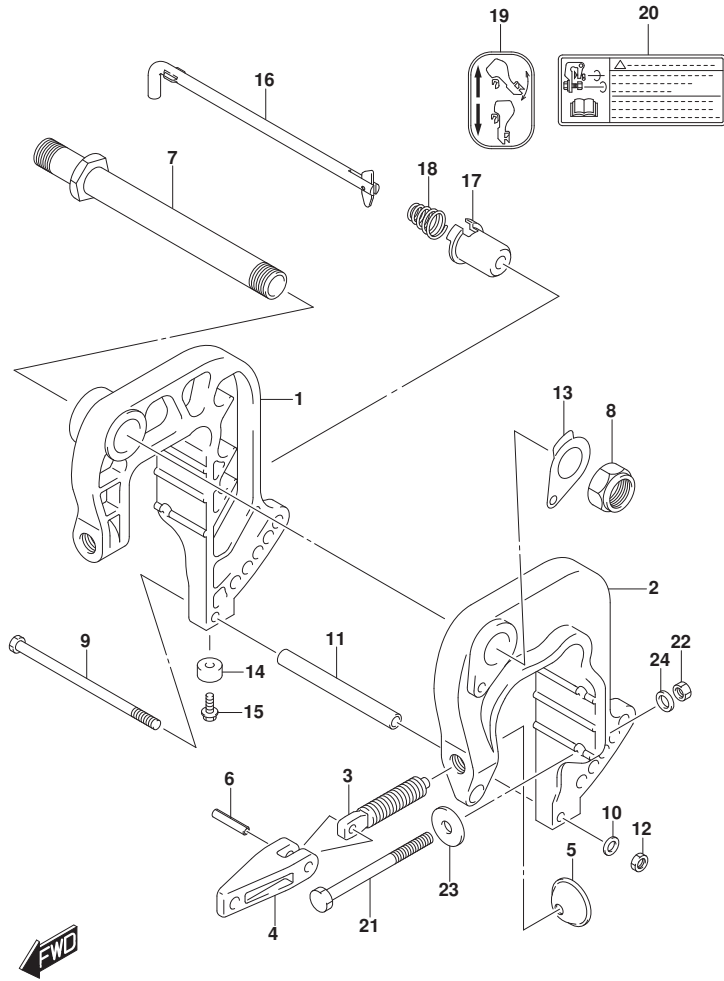


FIG.335F (1-J-7) CLAMP BRACKET (DF30AR P01)

REF NO.	PART NO.	DESCRIPTION	Q'TY	REMARKS
1	41111-94L00-YAY	BRACKET, CLAMP STBD (BLACK)	1	
2	41121-94L00-YAY	BRACKET, CLAMP PORT (BLACK)	1	
3	41211-94L00	SCREW, CLAMP	2	
4	41212-91J00	HANDLE, CLAMP	2	
5	41213-94J01	PLATE, CLAMP	2	
6	09205-06021	PIN, SPRING (6X25)	2	
7	41130-91L01	SHAFT, CLAMP BRACKET	1	
8	09159-22006	NUT	1	
9	09100-06165	BOLT (6X180)	1	
10	09160-06082	WASHER (6.5X13X1.0)	1	
11	09180-06342	SPACER (6.1X9X138)	1	
12	29141-93J00	NUT	1	
13	41135-93J11	WASHER, CLAMP BRACKET SHAFT	1	
14-1	55321-87J01	ANODE, PROTECTION	2	
14-2	55321-87J11	ANODE, MAGNESIUM	1	OPT
15	09103-06281	BOLT (6X14)	2	
16	45420-94L00	PIN, TILT LOCK	1	
17	45425-94J01	STOPPER, TILT LOCK PIN	1	
18	59442-94L00	SPRING	1	
19	45269-89L00	MARK, REVERSE LOCK	1	
20	69911-91J50	MARK, CLAMP BRACKET	1	
21	09100-10309	BOLT (10X110)	2	
22	09159-10050	NUT	2	
23	09160-10139	WASHER (10.5X35X3)	2	
24	09160-10140	WASHER (10.5X18X3)	2	

FIG.335G

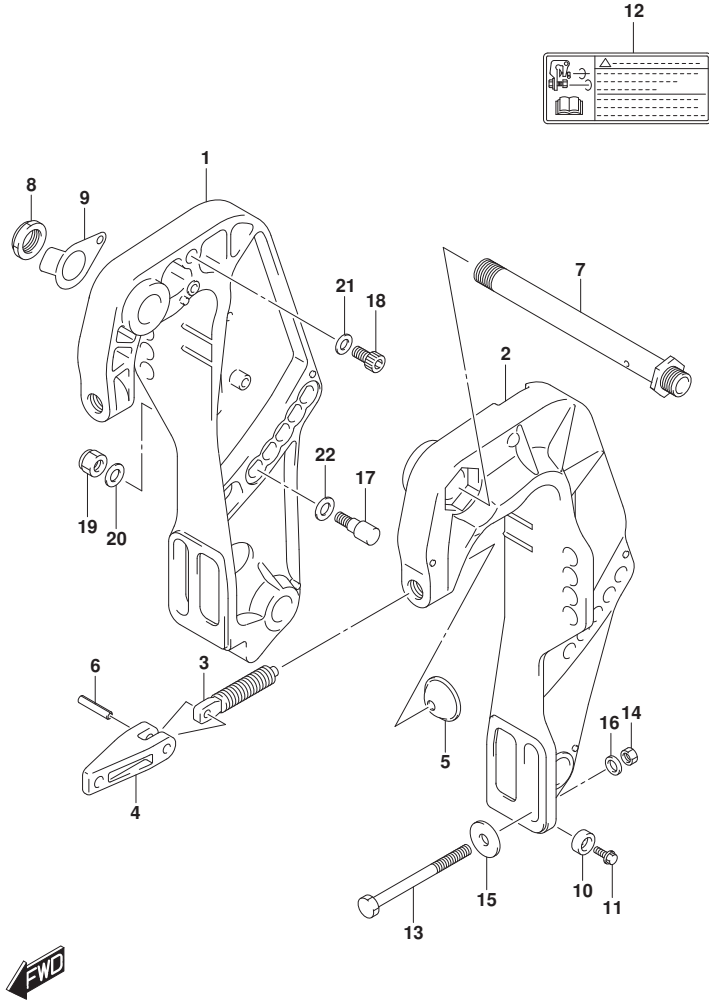


FIG.335G (1-J-8) CLAMP BRACKET (DF30AT P01)

REF NO.	PART NO.	DESCRIPTION	Q'TY	REMARKS
1	41111-94LA0-YAY	BRACKET, CLAMP STBD (BLACK)	1	
2	41121-94LA0-YAY	BRACKET, CLAMP PORT (BLACK)	1	
3	41211-94LA0	SCREW, CLAMP	2	
4	41212-91J00	HANDLE, CLAMP	2	
5	41213-94J01	PLATE, CLAMP	2	
6	09205-06021	PIN, SPRING (6X25)	2	
7	41130-94LA0	SHAFT, CLAMP BRACKET	1	
8	09159-22006	NUT	1	
9	41135-93J11	WASHER, CLAMP BRACKET SHAFT	1	
10-1	55321-87J01	ANODE, PROTECTION	2	
10-2	55321-87J11	ANODE, MAGNESIUM	1	OPT
11	09103-06281	BOLT (6X14)	2	
12	69911-91J50	MARK, CLAMP BRACKET	1	
13	09100-12093	BOLT (12X100)	4	
14	09159-12014	NUT	4	
15	09160-12044	WASHER (12.5X35X3.2)	4	
16	09160-12110	WASHER (12.5X22X3)	4	
17	45421-94LA0	PIN, TILT LOCK	2	
18	09106-10065	BOLT (10X20)	2	
19	09159-10050	NUT	2	
20	09160-10082	WASHER (10.5X19X2)	2	
21	09160-10082	WASHER (10.5X19X2)	2	
22	09160-12066	WASHER (12.5X22X2.5)	2	

FIG.335H

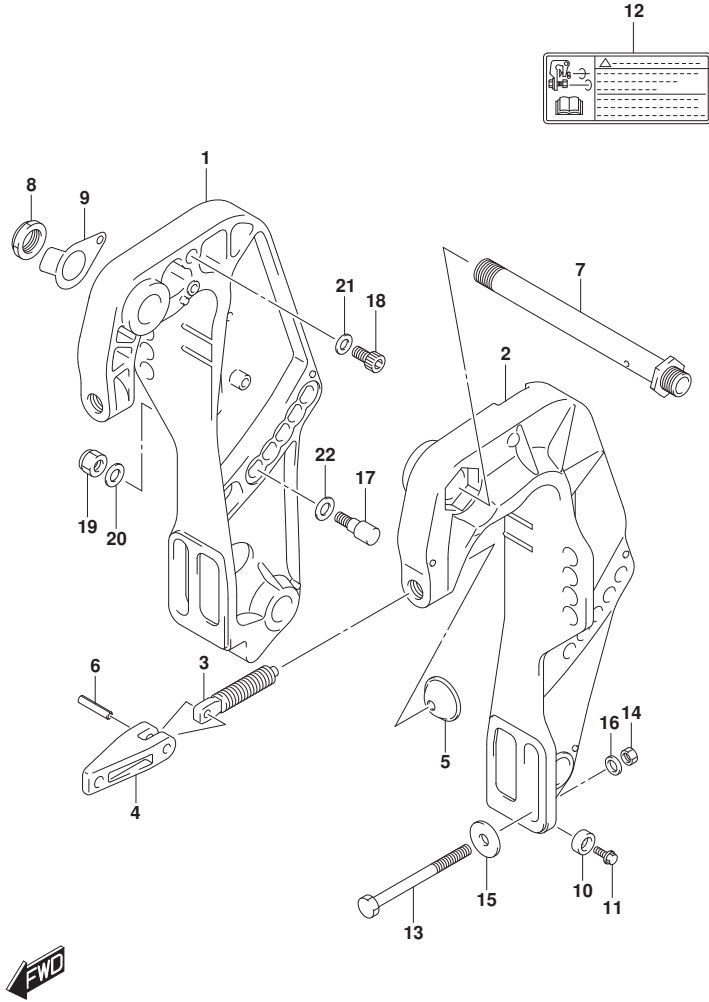


FIG.335H (1-J-9) CLAMP BRACKET (DF30ATH P01)

REF NO.	PART NO.	DESCRIPTION	Q'TY	REMARKS
1	41111-94LA0-YAY	BRACKET, CLAMP STBD (BLACK)	1	
2	41121-94LA0-YAY	BRACKET, CLAMP PORT (BLACK)	1	
3	41211-94LA0	SCREW, CLAMP	2	
4	41212-91J00	HANDLE, CLAMP	2	
5	41213-94J01	PLATE, CLAMP	2	
6	09205-06021	PIN, SPRING (6X25)	2	
7	41130-94LA0	SHAFT, CLAMP BRACKET	1	
8	09159-22006	NUT	1	
9	41135-93J11	WASHER, CLAMP BRACKET SHAFT	1	
10-1	55321-87J01	ANODE, PROTECTION	2	
10-2	55321-87J11	ANODE, MAGNESIUM	1	OPT
11	09103-06281	BOLT (6X14)	2	
12	69911-91J50	MARK, CLAMP BRACKET	1	
13	09100-12093	BOLT (12X100)	4	
14	09159-12014	NUT	4	
15	09160-12044	WASHER (12.5X35X3.2)	4	
16	09160-12110	WASHER (12.5X22X3)	4	
17	45421-94LA0	PIN, TILT LOCK	2	
18	09106-10065	BOLT (10X20)	2	
19	09159-10050	NUT	2	
20	09160-10082	WASHER (10.5X19X2)	2	
21	09160-10082	WASHER (10.5X19X2)	2	
22	09160-12066	WASHER (12.5X22X2.5)	2	



FIG.335J

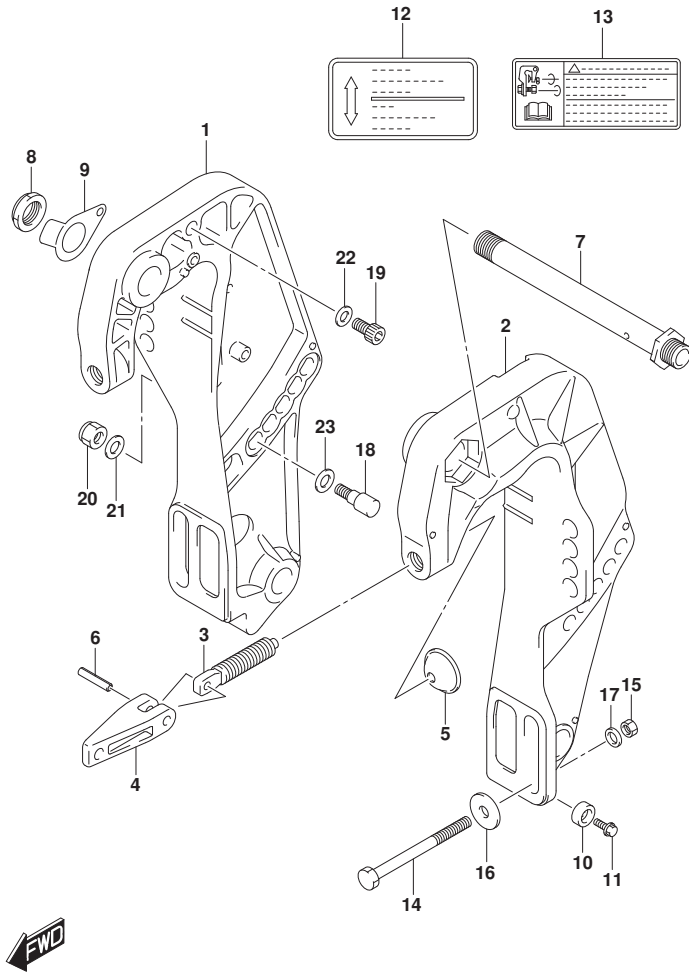


FIG.335J (1-J-10) CLAMP BRACKET (DF30AQ P01)

REF NO.	PART NO.	DESCRIPTION	Q'TY	REMARKS
1	41111-94LA0-YAY	BRACKET, CLAMP STBD (BLACK)	1	
2	41121-94LA0-YAY	BRACKET, CLAMP PORT (BLACK)	1	
3	41211-94LA0	SCREW, CLAMP	2	
4	41212-91J00	HANDLE, CLAMP	2	
5	41213-94J01	PLATE, CLAMP	2	
6	09205-06021	PIN, SPRING (6X25)	2	
7	41130-94LA0	SHAFT, CLAMP BRACKET	1	
8	09159-22006	NUT	1	
9	41135-93J11	WASHER, CLAMP BRACKET SHAFT	1	
10-1	55321-87J01	ANODE, PROTECTION	2	
10-2	55321-87J11	ANODE, MAGNESIUM	1	OPT
11	09103-06281	BOLT (6X14)	2	
12	43241-87J00	MARK, RELEASE LEVER	1	
13	69911-91J50	MARK, CLAMP BRACKET	1	
14	09100-12093	BOLT (12X100)	4	
15	09159-12014	NUT	4	
16	09160-12044	WASHER (12.5X35X3.2)	4	
17	09160-12110	WASHER (12.5X22X3)	4	
18	45421-94LA0	PIN, TILT LOCK	2	
19	09106-10065	BOLT (10X20)	2	
20	09159-10050	NUT	2	
21	09160-10082	WASHER (10.5X19X2)	2	
22	09160-10082	WASHER (10.5X19X2)	2	
23	09160-12066	WASHER (12.5X22X2.5)	2	

FIG.336A

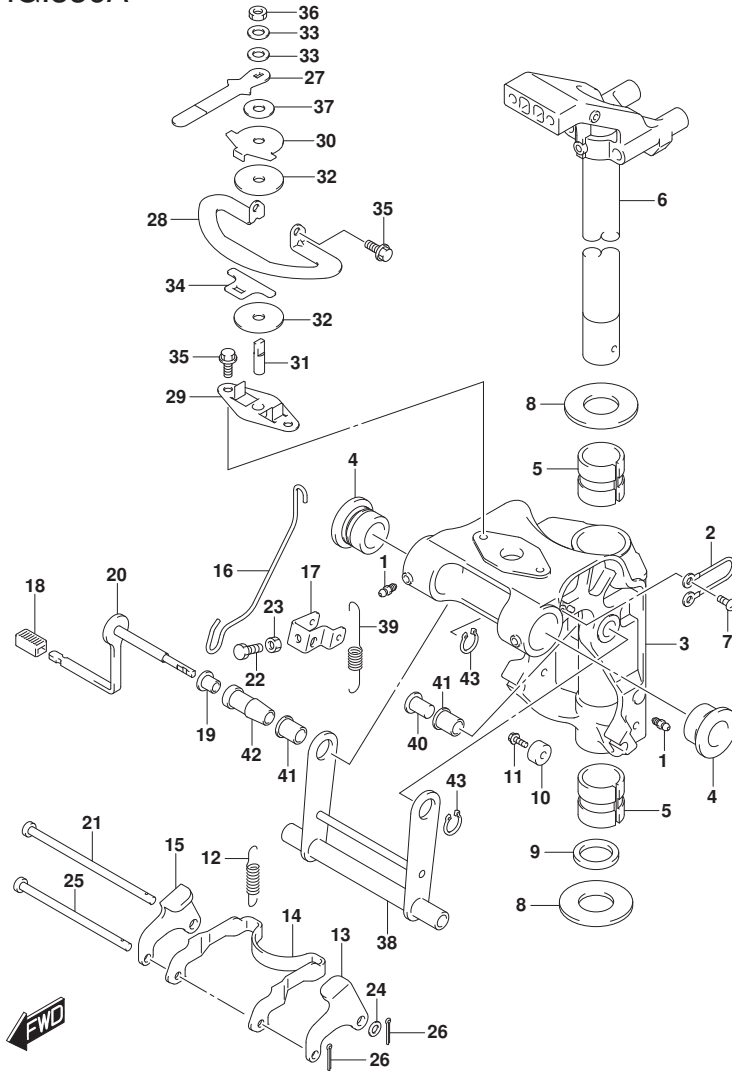


FIG.336A (1-J-11) SWIVEL BRACKET (DF25A P01)

REF NO.	PART NO.	DESCRIPTION	Q'TY	REMARKS
1	22511-99011	NIPPLE, GREASE	4	
2	36894-87D00	LEAD (L:165)	1	
3-1	43111-94L00-YAY	BRACKET, SWIVEL (S) (BLACK)	1	W/TRANSOM(S)
3-2	43111-94L10-YAY	BRACKET, SWIVEL (L) (BLACK)	1	W/TRANSOM(L)
4	43211-87JL0	BUSH, SWIVEL BRACKET	2	
5	43711-94L00	BUSH, STEERING	2	
6-1	43750-94L00-YAY	BRACKET, STEERING (S) (BLACK)	1	W/TRANSOM(S)
6-2	43750-94L10-YAY	BRACKET, STEERING (L) (BLACK)	1	W/TRANSOM(L)
7	09125-06063	SCREW (6X10)	2	
8	09160-30057	WASHER (30.9X50X1.5)	2	
9	09282-30008	SEAL (30.6X43X5)	1	
10-1	55321-87J01	ANODE, PROTECTION	1	W/TRANSOM(L)
10-2	55321-87J11	ANODE, MAGNESIUM	1	OPT
11	09103-06281	BOLT (6X14)	1	W/TRANSOM(L)
12	45211-94L00	SPRING, REVERSE LOCK ARM	2	
13	45221-94L00	LINK, REVERSE LOCK ARM PORT	1	
14	45231-94L00	ARM, REVERSE LOCK	1	
15	45241-94L00	LINK, REVERSE LOCK ARM STBD	1	
16	45252-94L00	LINK, RELEASE LEVER	1	
17	45253-94L00	ARM, RELEASE	1	
18	45255-94L00	RUBBER, RELEASE LEVER	1	
19	45257-94L00	BUSH, RELEASE LEVER	1	
20	45260-94L00	LEVER, RELEASE	1	
21	59211-94L00	PIN, REVERSE LOCK ARM LINK	1	
22	09100-06113	BOLT (6X16)	1	
23	09140-06020	NUT	1	
24	09160-06082	WASHER (6.5X13X1.0)	1	
25	09200-06072	PIN (6X105.5)	1	
26	09204-01002	PIN	2	
27	43411-89L00	LEVER, STEERING ADJUSTER	1	
28	43415-94L00	PLATE, STRG ADJ (H)	1	
29	43420-89L00	PLATE, STRG ADJUSTER FRICTION	1	
30	43425-89L00	PLATE, STRG ADJUSTER UPR	1	
31	43512-89L00	SHAFT, STRG ADJUSTER THREAD	1	

FIG.336A

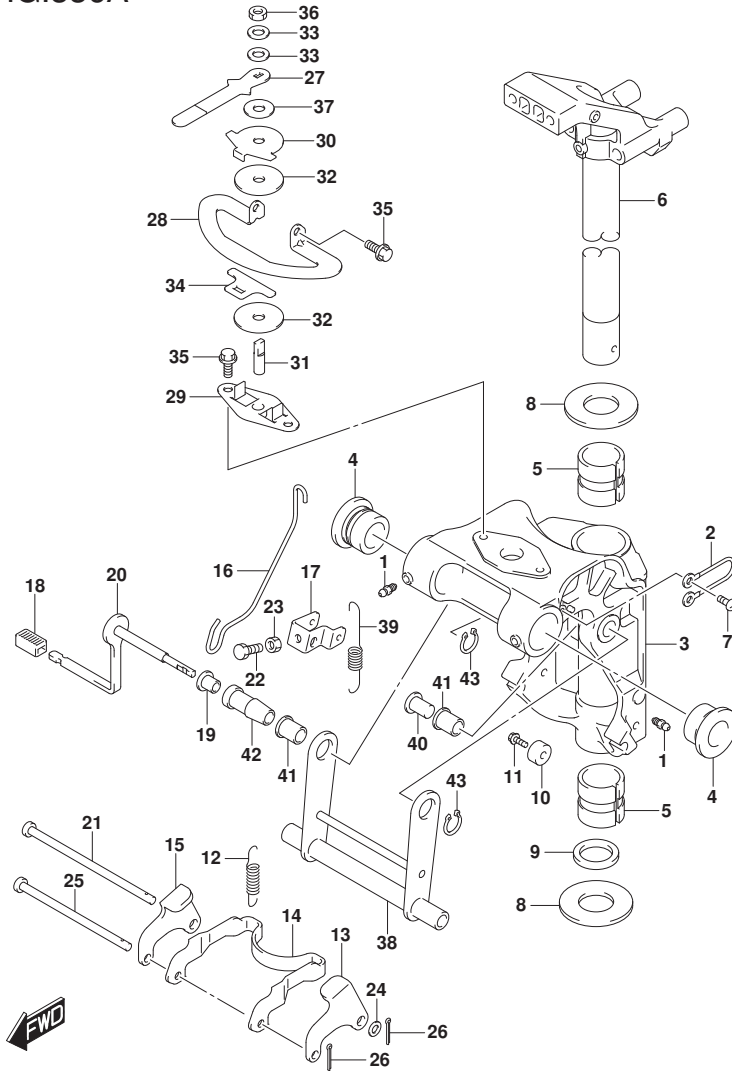
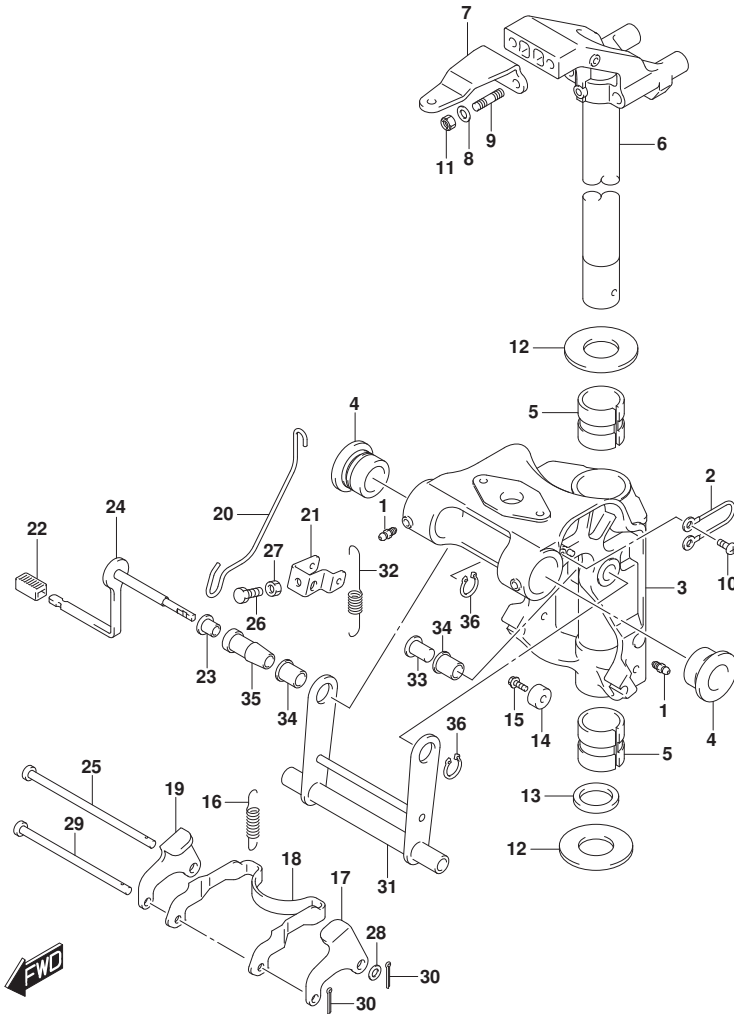


FIG.336A (1-J-12) SWIVEL BRACKET (DF25A P01)

REF NO.	PART NO.	DESCRIPTION	Q'TY	REMARKS
32	43515-88L00	WASHER, STRG ADJ FRICTION PLATE	2	
33	43516-89J00	WASHER, STEERING ADJUSTER	2	
34	43517-89L00	SPACER, STEERING ADJUSTER	1	
35	09116-06225	BOLT (6X15)	4	
36	09159-08L02	NUT	1	
37	09161-08019	WASHER (8.2X18X1.2)	1	
38	45710-94L00	ARM, SHALLOW WATER DRIVE	1	
39	45722-94L00	SPRING, SHALLOW WATER DRIVE ARM	1	
40	45741-94L00	PIN, SHALLOW DRIVE WATER ARM	1	
41	45751-94L00	BUSH, SHALLOW WATER DRIVE ARM	2	
42	45761-94L00	SPACER, SHALLOW WATER DRIVE ARM	1	
43	09380-12002	SNAP RING	2	

FIG.336B

FIG.336B (1-J-13) SWIVEL BRACKET (DF25AR P01)



REF NO.	PART NO.	DESCRIPTION	Q'TY	REMARKS
1	22511-99011	NIPPLE, GREASE	4	
2	36894-87D00	LEAD (L:165)	1	
3-1	43111-94L00-YAY	BRACKET, SWIVEL (S) (BLACK)	1	W/TRANSOM(S)
3-2	43111-94L10-YAY	BRACKET, SWIVEL (L) (BLACK)	1	W/TRANSOM(L)
4	43211-87JL0	BUSH, SWIVEL BRACKET	2	
5	43711-94L00	BUSH, STEERING	2	
6-1	43750-94L00-YAY	BRACKET, STEERING (S) (BLACK)	1	W/TRANSOM(S)
6-2	43750-94L10-YAY	BRACKET, STEERING (L) (BLACK)	1	W/TRANSOM(L)
7	43755-94L00	ATTACHMENT, STEERING BRACKET	1	
8	09160-08082	WASHER (8.5X16X1.2)	2	
9	09108-08286	STUD BOLT	2	
10	09125-06063	SCREW (6X10)	2	
11	09159-08059	NUT	2	
12	09160-30057	WASHER (30.9X50X1.5)	2	
13	09282-30008	SEAL (30.6X43X5)	1	
14-1	55321-87J01	ANODE, PROTECTION	1	W/TRANSOM(L)
14-2	55321-87J11	ANODE, MAGNESIUM	1	OPT
15	09103-06281	BOLT (6X14)	1	W/TRANSOM(L)
16	45211-94L00	SPRING, REVERSE LOCK ARM	2	
17	45221-94L00	LINK, REVERSE LOCK ARM PORT	1	
18	45231-94L00	ARM, REVERSE LOCK	1	
19	45241-94L00	LINK, REVERSE LOCK ARM STBD	1	
20	45252-94L00	LINK, RELEASE LEVER	1	
21	45253-94L00	ARM, RELEASE	1	
22	45255-94L00	RUBBER, RELEASE LEVER	1	
23	45257-94L00	BUSH, RELEASE LEVER	1	
24	45260-94L00	LEVER, RELEASE	1	
25	59211-94L00	PIN, REVERSE LOCK ARM LINK	1	
26	09100-06113	BOLT (6X16)	1	
27	09140-06020	NUT	1	
28	09160-06082	WASHER (6.5X13X1.0)	1	
29	09200-06072	PIN (6X105.5)	1	
30	09204-01002	PIN	2	
31	45710-94L00	ARM, SHALLOW WATER DRIVE	1	

FIG.336B

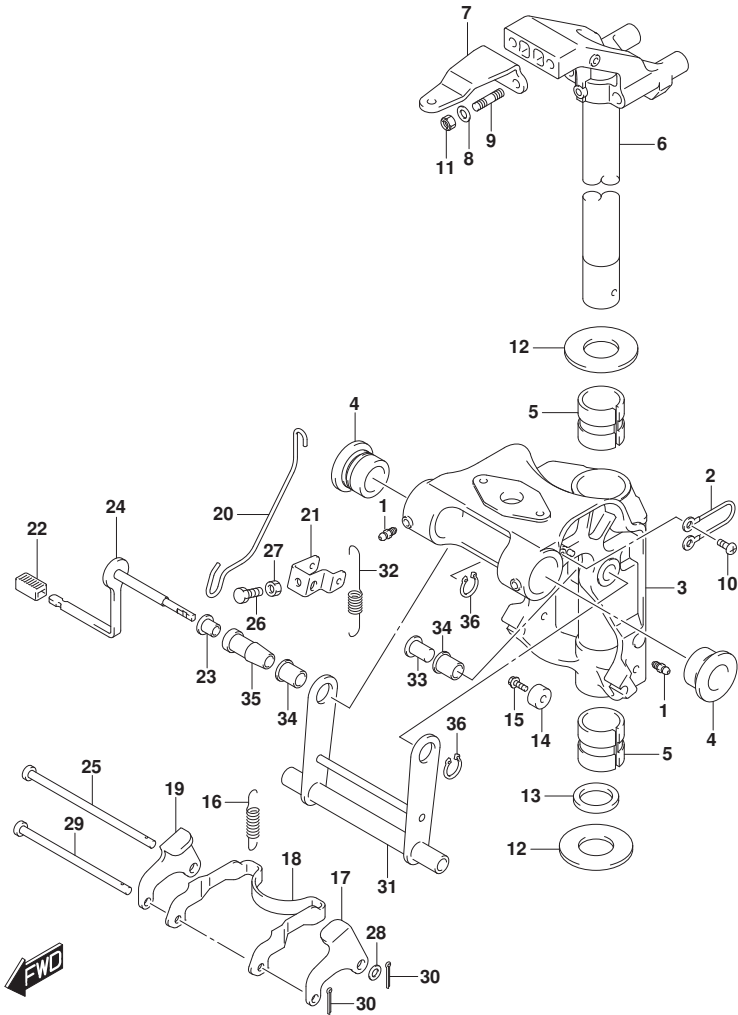


FIG.336B (1-J-14) SWIVEL BRACKET (DF25AR P01)

REF NO.	PART NO.	DESCRIPTION	Q'TY	REMARKS
32	45722-94L00	SPRING, SHALLOW WATER DRIVE ARM	1	
33	45741-94L00	PIN, SHALLOW DRIVE WATER ARM	1	
34	45751-94L00	BUSH, SHALLOW WATER DRIVE ARM	2	
35	45761-94L00	SPACER, SHALLOW WATER DRIVE ARM	1	
36	09380-12002	SNAP RING	2	

FIG.336C

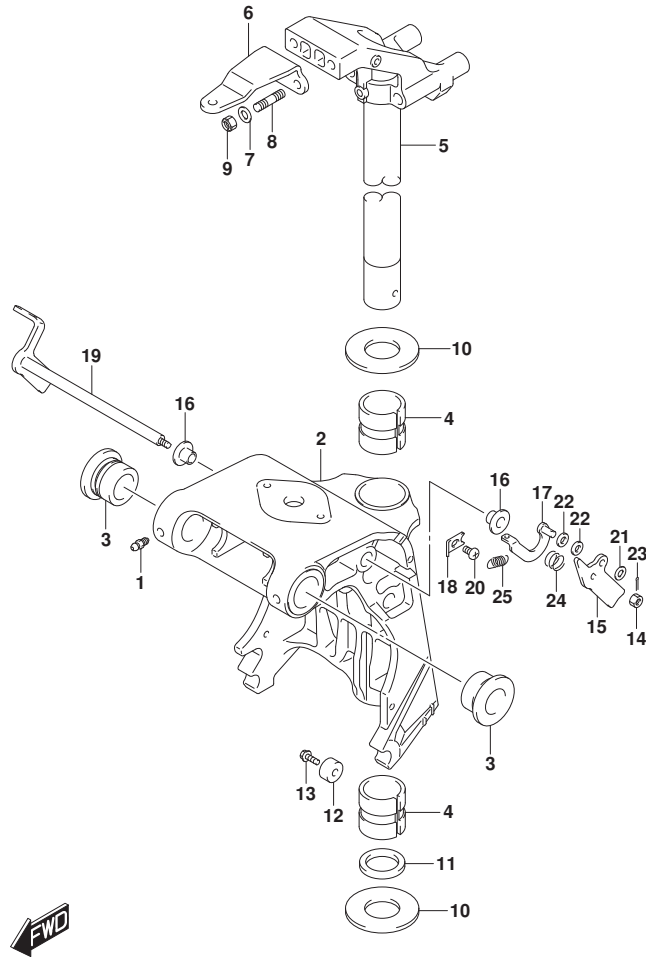


FIG.336C (1-J-15) SWIVEL BRACKET (DF25AT P01)

REF NO.	PART NO.	DESCRIPTION	Q'TY	REMARKS
1	22511-99011	NIPPLE, GREASE	4	
2-1	43111-94LA0-YAY	BRACKET, SWIVEL (S) (BLACK)	1	W/TRANSOM(S)
2-2	43111-94LB0-YAY	BRACKET, SWIVEL (L) (BLACK)	1	W/TRANSOM(L)
3	43211-87JL0	BUSH, SWIVEL BRACKET	2	
4	43711-94L00	BUSH, STEERING	2	
5-1	43750-94L00-YAY	BRACKET, STEERING (S) (BLACK)	1	W/TRANSOM(S)
5-2	43750-94L10-YAY	BRACKET, STEERING (L) (BLACK)	1	W/TRANSOM(L)
6	43755-94L00	ATTACHMENT, STEERING BRACKET	1	
7	09160-08082	WASHER (8.5X16X1.2)	2	
8	09108-08286	STUD BOLT	2	
9	09159-08059	NUT	2	
10	09160-30057	WASHER (30.9X50X1.5)	2	
11	09282-30008	SEAL (30.6X43X5)	1	
12-1	55321-87J01	ANODE, PROTECTION	1	
12-2	55321-87J11	ANODE, MAGNESIUM	1	OPT
13	09103-06281	BOLT (6X14)	1	
14	29141-93J00	NUT	1	
15	41221-94LA0	LEVER, TILT LOCK PORT	1	
16	41224-94LA0	BUSH, TILT STOPPER ROD	2	
17	41230-94LA0	LINK, TILT LOCK LEVER	1	
18	41233-94LA0	BRACKET, TILT LOCK SPRING	1	
19	41280-94LA0	LEVER, TILT LOCK	1	
20	09125-06063	SCREW (6X10)	1	
21	09160-06082	WASHER (6.5X13X1.0)	1	
22	09160-06170	WASHER (6.5X13X2)	2	
23	09204-01006	PIN	1	
24	09440-13057	SPRING	1	
25	09443-10043	SPRING	1	

FIG.336D

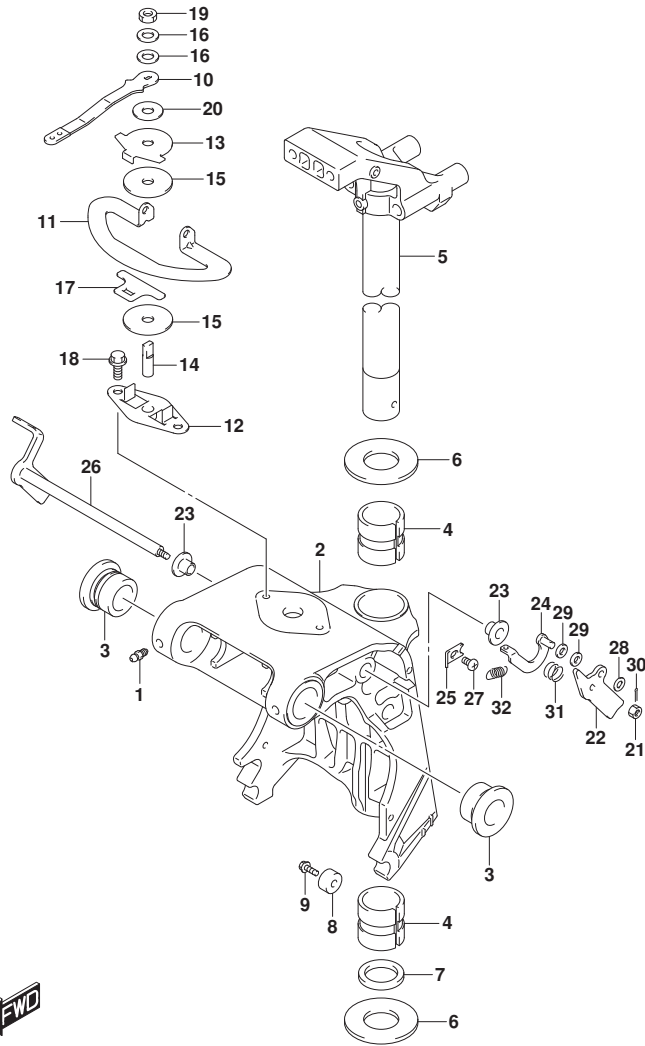


FIG.336D (1-K-2) SWIVEL BRACKET (DF25ATH P01)

REF NO.	PART NO.	DESCRIPTION	Q'TY	REMARKS
1	22511-99011	NIPPLE, GREASE	4	
2-1	43111-94LA0-YAY	BRACKET, SWIVEL (S) (BLACK)	1	W/TRANSOM(S)
2-2	43111-94LB0-YAY	BRACKET, SWIVEL (L) (BLACK)	1	W/TRANSOM(L)
3	43211-87JL0	BUSH, SWIVEL BRACKET	2	
4	43711-94L00	BUSH, STEERING	2	
5-1	43750-94L00-YAY	BRACKET, STEERING (S) (BLACK)	1	W/TRANSOM(S)
5-2	43750-94L10-YAY	BRACKET, STEERING (L) (BLACK)	1	W/TRANSOM(L)
6	09160-30057	WASHER (30.9X50X1.5)	2	
7	09282-30008	SEAL (30.6X43X5)	1	
8-1	55321-87J01	ANODE, PROTECTION	1	
8-2	55321-87J11	ANODE, MAGNESIUM	1	OPT
9	09103-06281	BOLT (6X14)	1	
10	43411-89LA0	LEVER, STEERING ADJUSTER	1	
11	43415-94L00	PLATE, STRG ADJ (H)	1	
12	43420-89L00	PLATE, STRG ADJUSTER FRICTION	1	
13	43425-89L00	PLATE, STRG ADJUSTER UPR	1	
14	43512-89L00	SHAFT, STRG ADJUSTER THREAD	1	
15	43515-88L00	WASHER, STRG ADJ FRICTION PLATE	2	
16	43516-89J00	WASHER, STEERING ADJUSTER	2	
17	43517-89L00	SPACER, STEERING ADJUSTER	1	
18	09116-06225	BOLT (6X15)	4	
19	09159-08L02	NUT	1	
20	09161-08019	WASHER (8.2X18X1.2)	1	
21	29141-93J00	NUT	1	
22	41221-94LA0	LEVER, TILT LOCK PORT	1	
23	41224-94LA0	BUSH, TILT STOPPER ROD	2	
24	41230-94LA0	LINK, TILT LOCK LEVER	1	
25	41233-94LA0	BRACKET, TILT LOCK SPRING	1	
26	41280-94LA0	LEVER, TILT LOCK	1	
27	09125-06063	SCREW (6X10)	1	
28	09160-06082	WASHER (6.5X13X1.0)	1	
29	09160-06170	WASHER (6.5X13X2)	2	
30	09204-01006	PIN	1	

FIG.336D

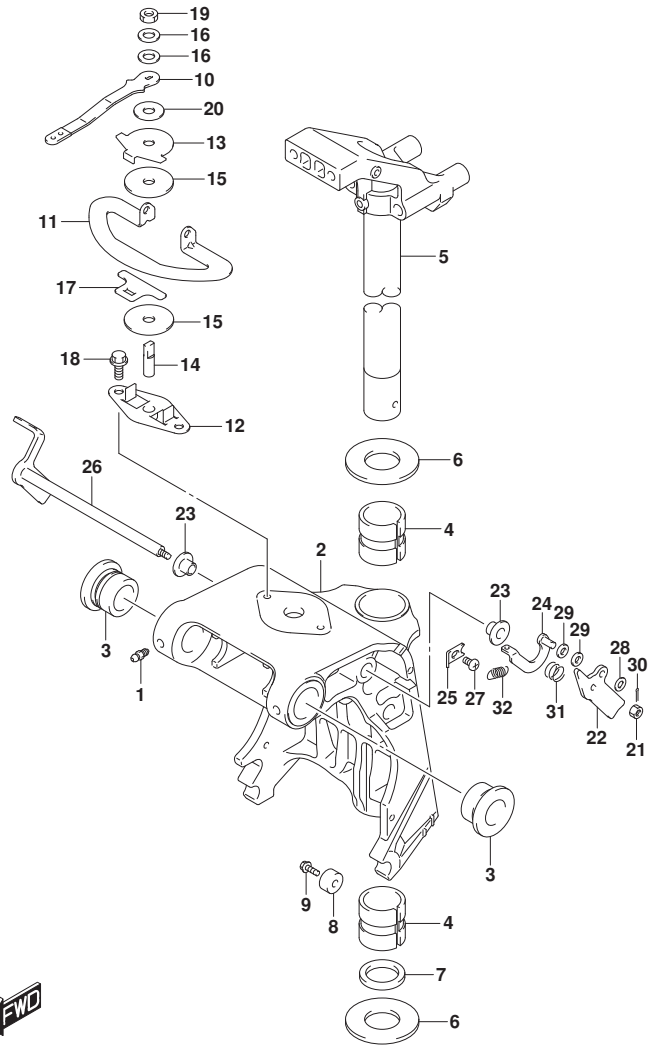


FIG.336D (1-K-3) SWIVEL BRACKET (DF25ATH P01)

REF NO.	PART NO.	DESCRIPTION	Q'TY	REMARKS
31	09440-13057	SPRING	1	
32	09443-10043	SPRING	1	

FIG.336E

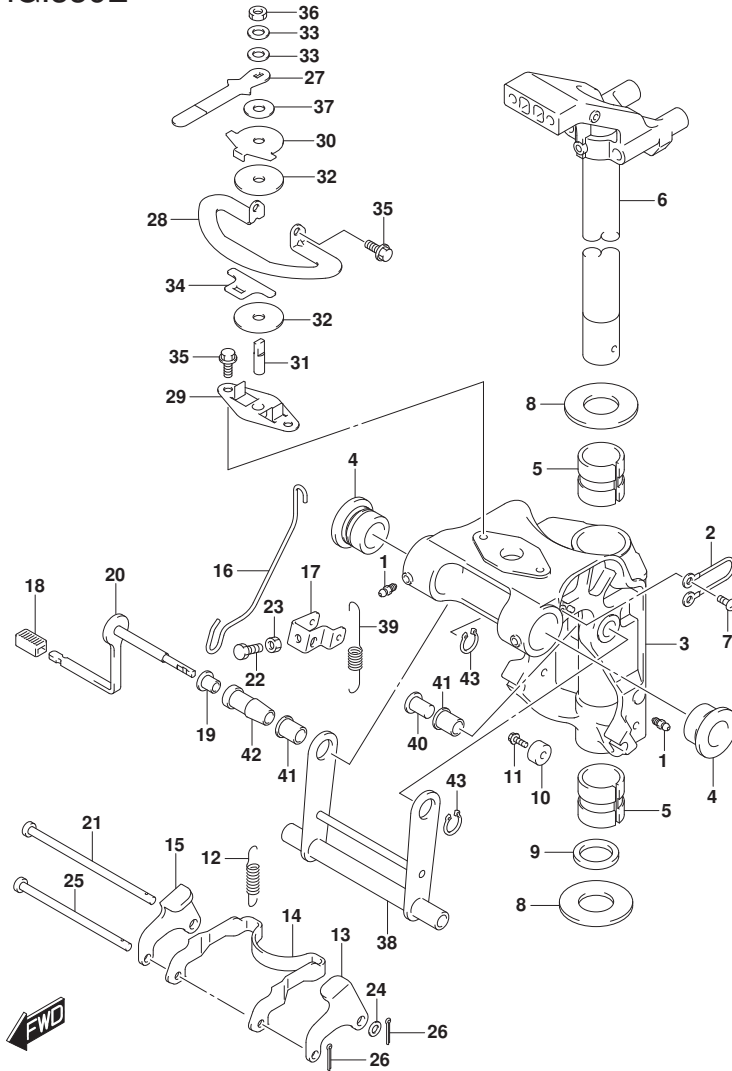


FIG.336E (1-K-4) SWIVEL BRACKET (DF30A P40)

REF NO.	PART NO.	DESCRIPTION	Q'TY	REMARKS
1	22511-99011	NIPPLE, GREASE	4	
2	36894-87D00	LEAD (L:165)	1	
3-1	43111-94L00-YAY	BRACKET, SWIVEL (S) (BLACK)	1	W/TRANSOM(S)
3-2	43111-94L10-YAY	BRACKET, SWIVEL (L) (BLACK)	1	W/TRANSOM(L)
4	43211-87JL0	BUSH, SWIVEL BRACKET	2	
5	43711-94L00	BUSH, STEERING	2	
6-1	43750-94L00-YAY	BRACKET, STEERING (S) (BLACK)	1	W/TRANSOM(S)
6-2	43750-94L10-YAY	BRACKET, STEERING (L) (BLACK)	1	W/TRANSOM(L)
7	09125-06063	SCREW (6X10)	2	
8	09160-30057	WASHER (30.9X50X1.5)	2	
9	09282-30008	SEAL (30.6X43X5)	1	
10-1	55321-87J01	ANODE, PROTECTION	1	W/TRANSOM(L)
10-2	55321-87J11	ANODE, MAGNESIUM	1	OPT
11	09103-06281	BOLT (6X14)	1	W/TRANSOM(L)
12	45211-94L00	SPRING, REVERSE LOCK ARM	2	
13	45221-94L00	LINK, REVERSE LOCK ARM PORT	1	
14	45231-94L00	ARM, REVERSE LOCK	1	
15	45241-94L00	LINK, REVERSE LOCK ARM STBD	1	
16	45252-94L00	LINK, RELEASE LEVER	1	
17	45253-94L00	ARM, RELEASE	1	
18	45255-94L00	RUBBER, RELEASE LEVER	1	
19	45257-94L00	BUSH, RELEASE LEVER	1	
20	45260-94L00	LEVER, RELEASE	1	
21	59211-94L00	PIN, REVERSE LOCK ARM LINK	1	
22	09100-06113	BOLT (6X16)	1	
23	09140-06020	NUT	1	
24	09160-06082	WASHER (6.5X13X1.0)	1	
25	09200-06072	PIN (6X105.5)	1	
26	09204-01002	PIN	2	
27	43411-89L00	LEVER, STEERING ADJUSTER	1	
28	43415-94L00	PLATE, STRG ADJ (H)	1	
29	43420-89L00	PLATE, STRG ADJUSTER FRICTION	1	
30	43425-89L00	PLATE, STRG ADJUSTER UPR	1	
31	43512-89L00	SHAFT, STRG ADJUSTER THREAD	1	

FIG.336E

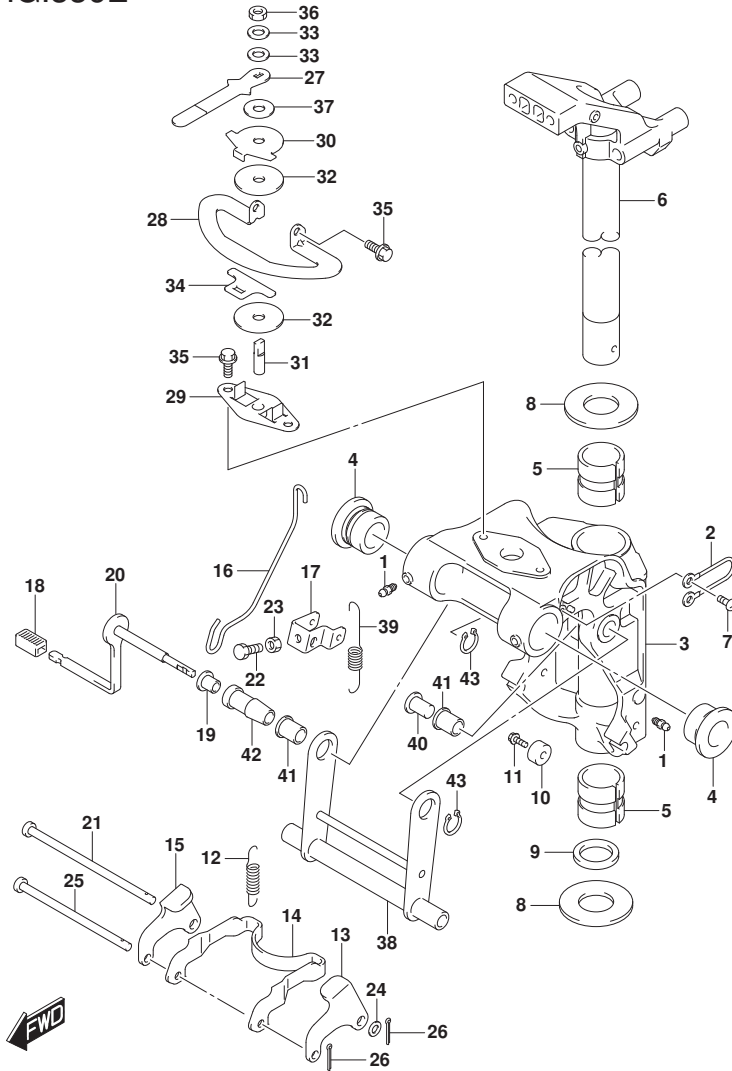
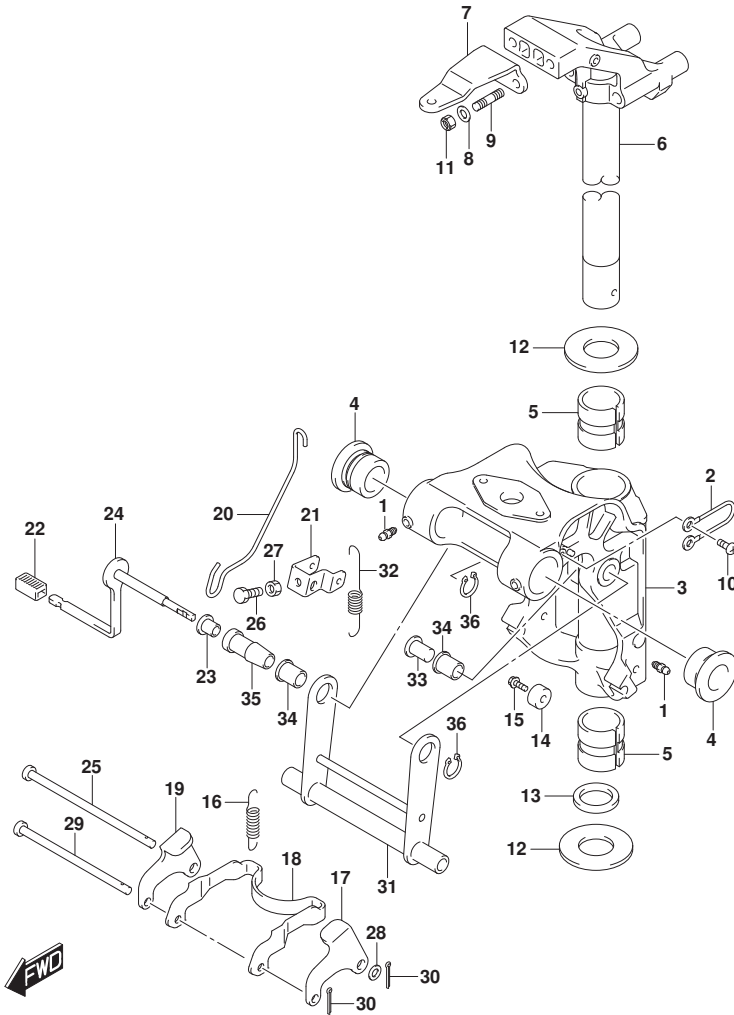


FIG.336E (1-K-5) SWIVEL BRACKET (DF30A P40)

REF NO.	PART NO.	DESCRIPTION	Q'TY	REMARKS
32	43515-88L00	WASHER, STRG ADJ FRICTION PLATE	2	
33	43516-89J00	WASHER, STEERING ADJUSTER	2	
34	43517-89L00	SPACER, STEERING ADJUSTER	1	
35	09116-06225	BOLT (6X15)	4	
36	09159-08L02	NUT	1	
37	09161-08019	WASHER (8.2X18X1.2)	1	
38	45710-94L00	ARM, SHALLOW WATER DRIVE	1	
39	45722-94L00	SPRING, SHALLOW WATER DRIVE ARM	1	
40	45741-94L00	PIN, SHALLOW DRIVE WATER ARM	1	
41	45751-94L00	BUSH, SHALLOW WATER DRIVE ARM	2	
42	45761-94L00	SPACER, SHALLOW WATER DRIVE ARM	1	
43	09380-12002	SNAP RING	2	

FIG.336F

FIG.336F (1-K-6) SWIVEL BRACKET (DF30AR P01)



REF NO.	PART NO.	DESCRIPTION	Q'TY	REMARKS
1	22511-99011	NIPPLE, GREASE	4	
2	36894-87D00	LEAD (L:165)	1	
3-1	43111-94L00-YAY	BRACKET, SWIVEL (S) (BLACK)	1	W/TRANSOM(S)
3-2	43111-94L10-YAY	BRACKET, SWIVEL (L) (BLACK)	1	W/TRANSOM(L)
4	43211-87JL0	BUSH, SWIVEL BRACKET	2	
5	43711-94L00	BUSH, STEERING	2	
6-1	43750-94L00-YAY	BRACKET, STEERING (S) (BLACK)	1	W/TRANSOM(S)
6-2	43750-94L10-YAY	BRACKET, STEERING (L) (BLACK)	1	W/TRANSOM(L)
7	43755-94L00	ATTACHMENT, STEERING BRACKET	1	
8	09160-08082	WASHER (8.5X16X1.2)	2	
9	09108-08286	STUD BOLT	2	
10	09125-06063	SCREW (6X10)	2	
11	09159-08059	NUT	2	
12	09160-30057	WASHER (30.9X50X1.5)	2	
13	09282-30008	SEAL (30.6X43X5)	1	
14-1	55321-87J01	ANODE, PROTECTION	1	W/TRANSOM(L)
14-2	55321-87J11	ANODE, MAGNESIUM	1	OPT
15	09103-06281	BOLT (6X14)	1	W/TRANSOM(L)
16	45211-94L00	SPRING, REVERSE LOCK ARM	2	
17	45221-94L00	LINK, REVERSE LOCK ARM PORT	1	
18	45231-94L00	ARM, REVERSE LOCK	1	
19	45241-94L00	LINK, REVERSE LOCK ARM STBD	1	
20	45252-94L00	LINK, RELEASE LEVER	1	
21	45253-94L00	ARM, RELEASE	1	
22	45255-94L00	RUBBER, RELEASE LEVER	1	
23	45257-94L00	BUSH, RELEASE LEVER	1	
24	45260-94L00	LEVER, RELEASE	1	
25	59211-94L00	PIN, REVERSE LOCK ARM LINK	1	
26	09100-06113	BOLT (6X16)	1	
27	09140-06020	NUT	1	
28	09160-06082	WASHER (6.5X13X1.0)	1	
29	09200-06072	PIN (6X105.5)	1	
30	09204-01002	PIN	2	
31	45710-94L00	ARM, SHALLOW WATER DRIVE	1	

FIG.336F

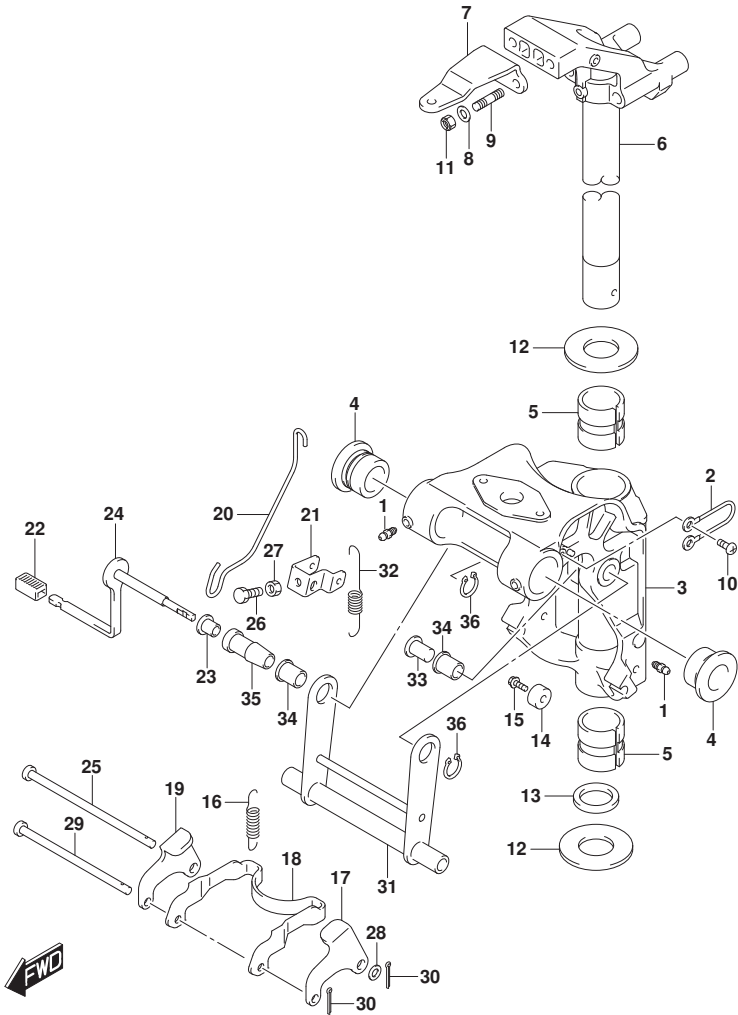


FIG.336F (1-K-7) SWIVEL BRACKET (DF30AR P01)

REF NO.	PART NO.	DESCRIPTION	Q'TY	REMARKS
32	45722-94L00	SPRING, SHALLOW WATER DRIVE ARM	1	
33	45741-94L00	PIN, SHALLOW DRIVE WATER ARM	1	
34	45751-94L00	BUSH, SHALLOW WATER DRIVE ARM	2	
35	45761-94L00	SPACER, SHALLOW WATER DRIVE ARM	1	
36	09380-12002	SNAP RING	2	

FIG.336G

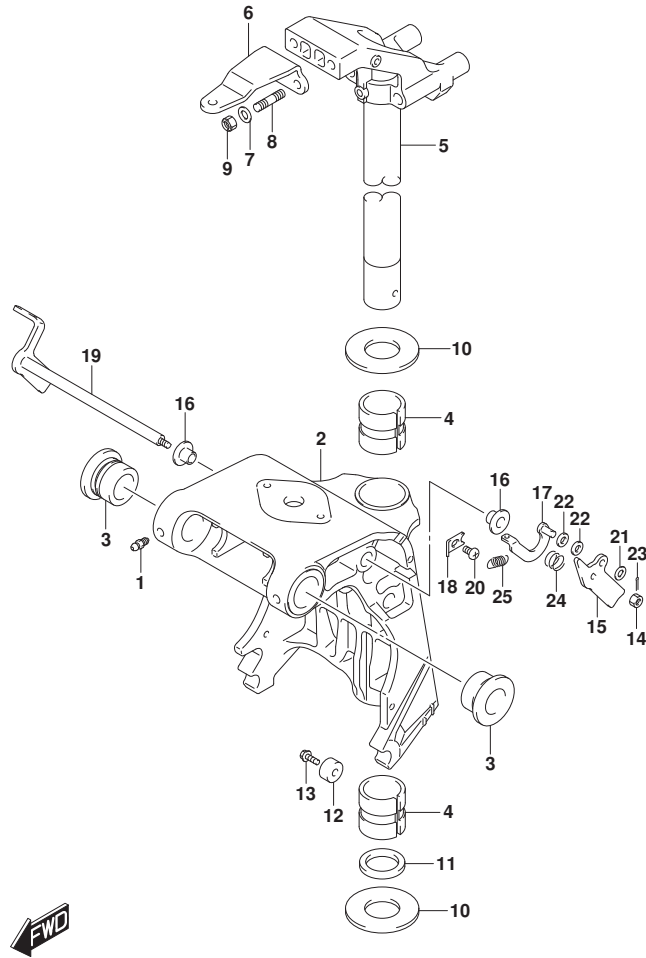


FIG.336G (1-K-8) SWIVEL BRACKET (DF30AT P01)

REF NO.	PART NO.	DESCRIPTION	Q'TY	REMARKS
1	22511-99011	NIPPLE, GREASE	4	
2-1	43111-94LA0-YAY	BRACKET, SWIVEL (S) (BLACK)	1	W/TRANSOM(S)
2-2	43111-94LB0-YAY	BRACKET, SWIVEL (L) (BLACK)	1	W/TRANSOM(L)
3	43211-87JL0	BUSH, SWIVEL BRACKET	2	
4	43711-94L00	BUSH, STEERING	2	
5-1	43750-94L00-YAY	BRACKET, STEERING (S) (BLACK)	1	W/TRANSOM(S)
5-2	43750-94L10-YAY	BRACKET, STEERING (L) (BLACK)	1	W/TRANSOM(L)
6	43755-94L00	ATTACHMENT, STEERING BRACKET	1	
7	09160-08082	WASHER (8.5X16X1.2)	2	
8	09108-08286	STUD BOLT	2	
9	09159-08059	NUT	2	
10	09160-30057	WASHER (30.9X50X1.5)	2	
11	09282-30008	SEAL (30.6X43X5)	1	
12-1	55321-87J01	ANODE, PROTECTION	1	
12-2	55321-87J11	ANODE, MAGNESIUM	1	OPT
13	09103-06281	BOLT (6X14)	1	
14	29141-93J00	NUT	1	
15	41221-94LA0	LEVER, TILT LOCK PORT	1	
16	41224-94LA0	BUSH, TILT STOPPER ROD	2	
17	41230-94LA0	LINK, TILT LOCK LEVER	1	
18	41233-94LA0	BRACKET, TILT LOCK SPRING	1	
19	41280-94LA0	LEVER, TILT LOCK	1	
20	09125-06063	SCREW (6X10)	1	
21	09160-06082	WASHER (6.5X13X1.0)	1	
22	09160-06170	WASHER (6.5X13X2)	2	
23	09204-01006	PIN	1	
24	09440-13057	SPRING	1	
25	09443-10043	SPRING	1	

FIG.336H

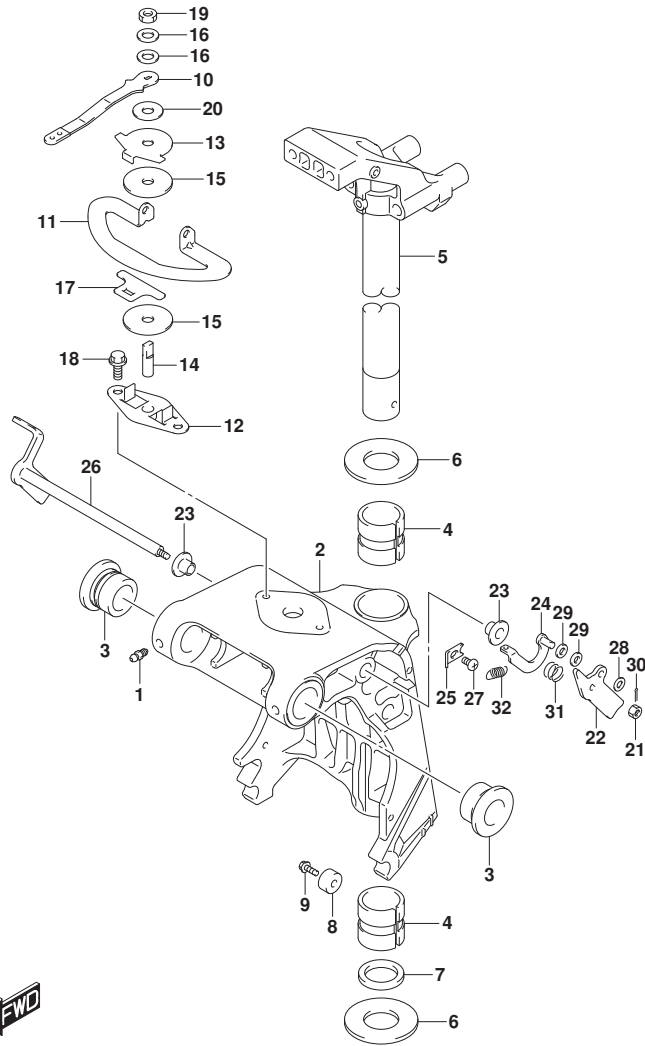


FIG.336H (1-K-9) SWIVEL BRACKET (DF30ATH P01)

REF NO.	PART NO.	DESCRIPTION	Q'TY	REMARKS
1	22511-99011	NIPPLE, GREASE	4	
2-1	43111-94LA0-YAY	BRACKET, SWIVEL (S) (BLACK)	1	W/TRANSOM(S)
2-2	43111-94LB0-YAY	BRACKET, SWIVEL (L) (BLACK)	1	W/TRANSOM(L)
3	43211-87JL0	BUSH, SWIVEL BRACKET	2	
4	43711-94L00	BUSH, STEERING	2	
5-1	43750-94L00-YAY	BRACKET, STEERING (S) (BLACK)	1	W/TRANSOM(S)
5-2	43750-94L10-YAY	BRACKET, STEERING (L) (BLACK)	1	W/TRANSOM(L)
6	09160-30057	WASHER (30.9X50X1.5)	2	
7	09282-30008	SEAL (30.6X43X5)	1	
8-1	55321-87J01	ANODE, PROTECTION	1	
8-2	55321-87J11	ANODE, MAGNESIUM	1	OPT
9	09103-06281	BOLT (6X14)	1	
10	43411-89LA0	LEVER, STEERING ADJUSTER	1	
11	43415-94L00	PLATE, STRG ADJ (H)	1	
12	43420-89L00	PLATE, STRG ADJUSTER FRICTION	1	
13	43425-89L00	PLATE, STRG ADJUSTER UPR	1	
14	43512-89L00	SHAFT, STRG ADJUSTER THREAD	1	
15	43515-88L00	WASHER, STRG ADJ FRICTION PLATE	2	
16	43516-89J00	WASHER, STEERING ADJUSTER	2	
17	43517-89L00	SPACER, STEERING ADJUSTER	1	
18	09116-06225	BOLT (6X15)	4	
19	09159-08L02	NUT	1	
20	09161-08019	WASHER (8.2X18X1.2)	1	
21	29141-93J00	NUT	1	
22	41221-94LA0	LEVER, TILT LOCK PORT	1	
23	41224-94LA0	BUSH, TILT STOPPER ROD	2	
24	41230-94LA0	LINK, TILT LOCK LEVER	1	
25	41233-94LA0	BRACKET, TILT LOCK SPRING	1	
26	41280-94LA0	LEVER, TILT LOCK	1	
27	09125-06063	SCREW (6X10)	1	
28	09160-06082	WASHER (6.5X13X1.0)	1	
29	09160-06170	WASHER (6.5X13X2)	2	
30	09204-01006	PIN	1	

FIG.336H

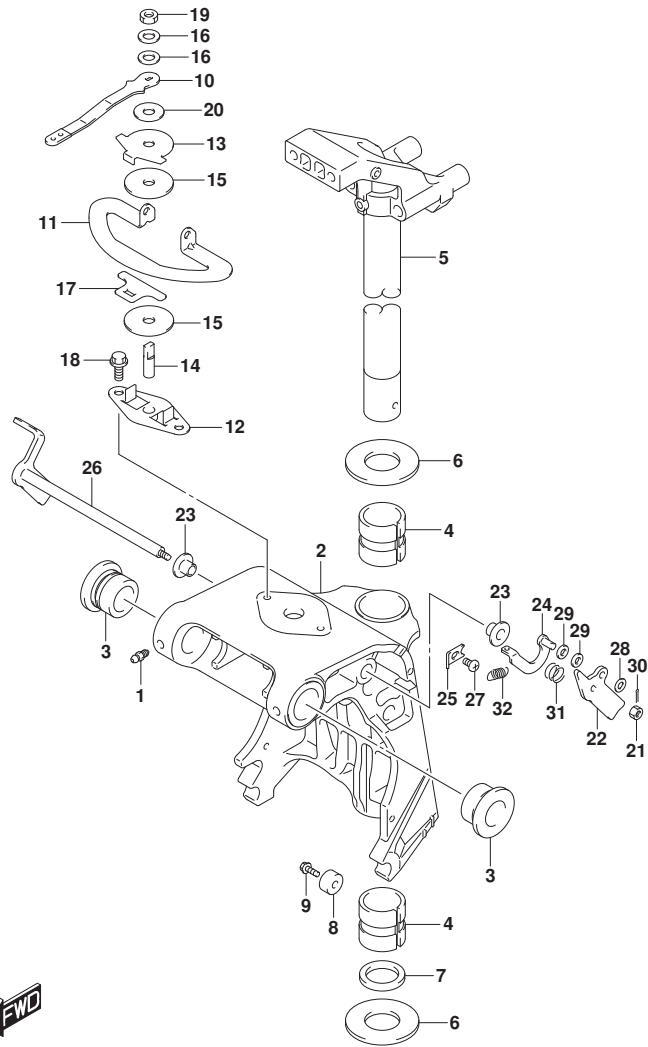


FIG.336H (1-K-10) SWIVEL BRACKET (DF30ATH P01)

REF NO.	PART NO.	DESCRIPTION	Q'TY	REMARKS
31	09440-13057	SPRING	1	
32	09443-10043	SPRING	1	

FIG.336J

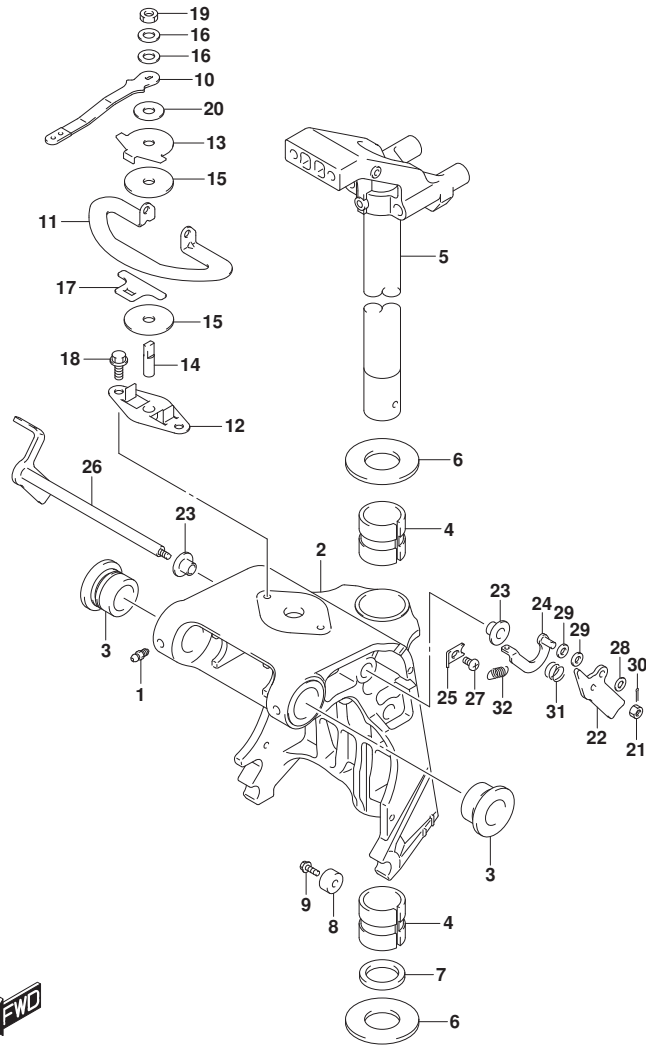


FIG.336J (1-K-11) SWIVEL BRACKET (DF30AQ P01)

REF NO.	PART NO.	DESCRIPTION	Q'TY	REMARKS
1	22511-99011	NIPPLE, GREASE	4	
2-1	43111-94LA0-YAY	BRACKET, SWIVEL (S) (BLACK)	1	W/TRANSOM(S)
2-2	43111-94LB0-YAY	BRACKET, SWIVEL (L) (BLACK)	1	W/TRANSOM(L)
3	43211-87JL0	BUSH, SWIVEL BRACKET	2	
4	43711-94L00	BUSH, STEERING	2	
5-1	43750-94L00-YAY	BRACKET, STEERING (S) (BLACK)	1	W/TRANSOM(S)
5-2	43750-94L10-YAY	BRACKET, STEERING (L) (BLACK)	1	W/TRANSOM(L)
6	09160-30057	WASHER (30.9X50X1.5)	2	
7	09282-30008	SEAL (30.6X43X5)	1	
8-1	55321-87J01	ANODE, PROTECTION	1	
8-2	55321-87J11	ANODE, MAGNESIUM	1	OPT
9	09103-06281	BOLT (6X14)	1	
10	43411-89LA0	LEVER, STEERING ADJUSTER	1	
11	43415-94L00	PLATE, STRG ADJ (H)	1	
12	43420-89L00	PLATE, STRG ADJUSTER FRICTION	1	
13	43425-89L00	PLATE, STRG ADJUSTER UPR	1	
14	43512-89L00	SHAFT, STRG ADJUSTER THREAD	1	
15	43515-88L00	WASHER, STRG ADJ FRICTION PLATE	2	
16	43516-89J00	WASHER, STEERING ADJUSTER	2	
17	43517-89L00	SPACER, STEERING ADJUSTER	1	
18	09116-06225	BOLT (6X15)	4	
19	09159-08L02	NUT	1	
20	09161-08019	WASHER (8.2X18X1.2)	1	
21	29141-93J00	NUT	1	
22	41221-94LA0	LEVER, TILT LOCK PORT	1	
23	41224-94LA0	BUSH, TILT STOPPER ROD	2	
24	41230-94LA0	LINK, TILT LOCK LEVER	1	
25	41233-94LA0	BRACKET, TILT LOCK SPRING	1	
26	41280-94LA0	LEVER, TILT LOCK	1	
27	09125-06063	SCREW (6X10)	1	
28	09160-06082	WASHER (6.5X13X1.0)	1	
29	09160-06170	WASHER (6.5X13X2)	2	
30	09204-01006	PIN	1	

FIG.336J

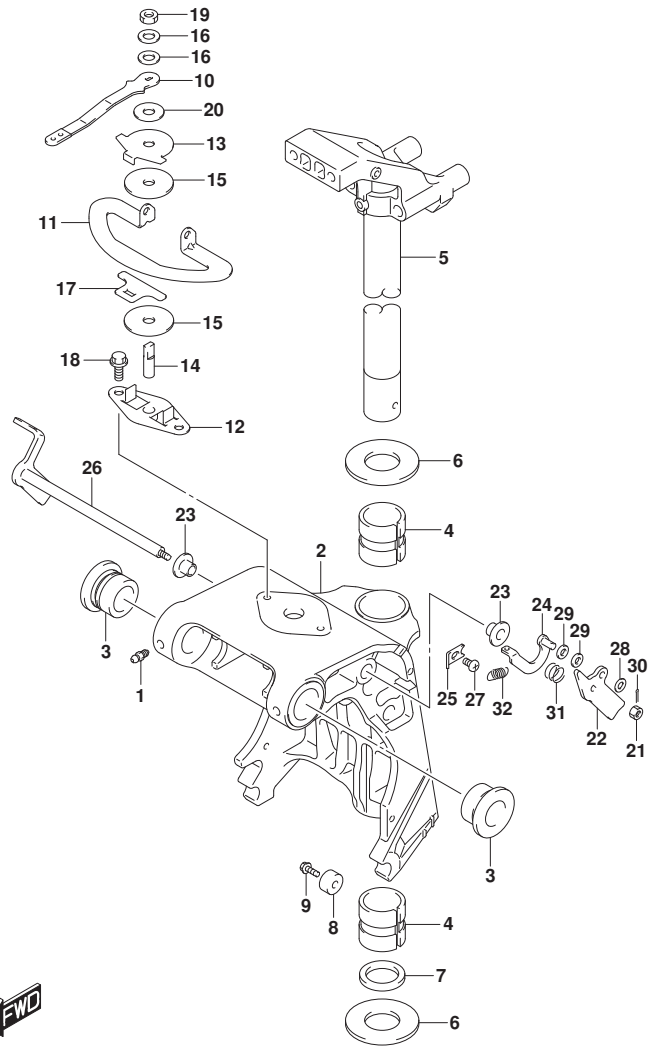


FIG.336J (1-K-12) SWIVEL BRACKET (DF30AQ P01)

REF NO.	PART NO.	DESCRIPTION	Q'TY	REMARKS
31	09440-13057	SPRING	1	
32	09443-10043	SPRING	1	

FIG.338A

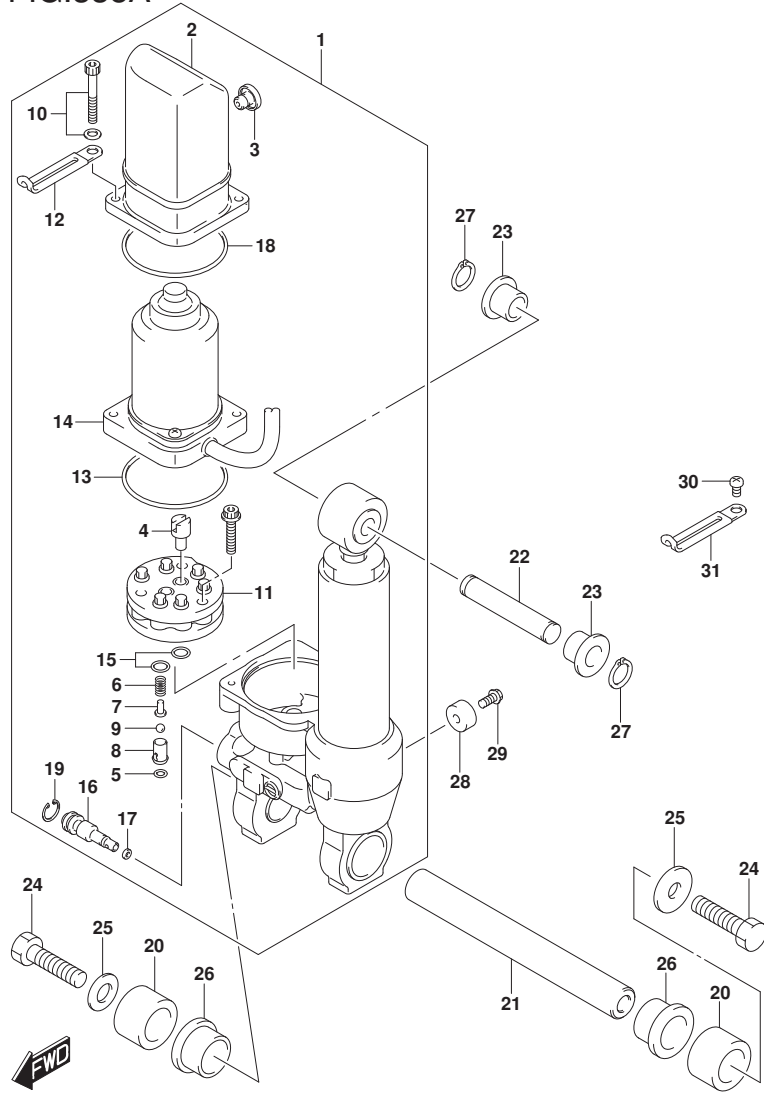
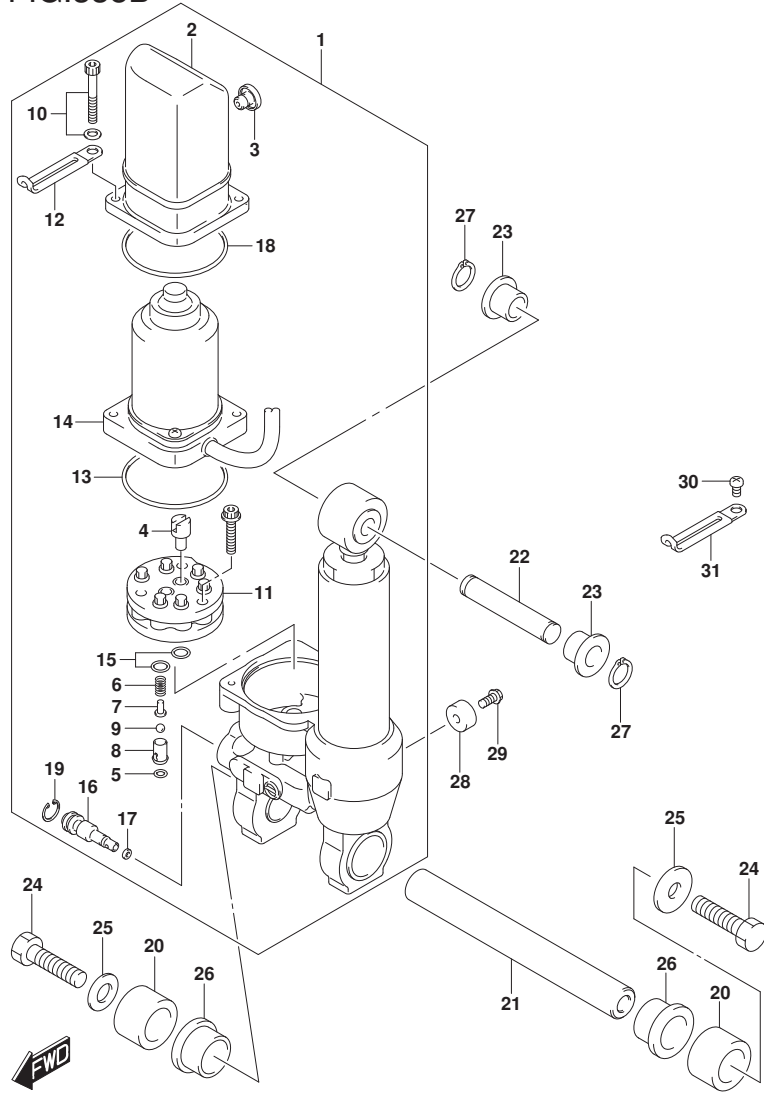


FIG.338A (1-K-13) TILT CYLINDER (DF25AT P01)

REF NO.	PART NO.	DESCRIPTION	Q'TY	REMARKS
1	48000-94L01	POWER TRIM ASSY	1	
2	48571-89J01	.RESERVOIR	1	
3	48572-89J01	.PLUG	1	
4	48583-95E00	.JOINT, DRIVE	1	
5	48818-97E00	.O RING	1	
6	48823-89J00	.SPRING, PRESSURE VALVE	1	
7	48832-89J00	.VALVE, PRESSURE	1	
8	48834-89J00	.SHEET, VALVE	1	
9	48842-89J00	.BALL, PRESSURE VALVE	1	
10	48861-89J01	.BOLT, RESERVOIR	2	
11	48510-89J00	.PUMP ASSY	1	
12	29404-93J10	.CLAMP	1	
13	31123-89J10	.O RING	1	
14	38100-94L01	.MOTOR ASSY, PTT	1	
15	48518-87D00	.O RING	1	
16	48551-89J00	.VALVE, MANUAL	1	
17	48553-97E00	.SEAL, WASHER	1	
18	48585-89J00	.O RING, RESERVOIR	1	
19	48681-87J11	.CIRCLIP	1	
20	47226-94L00	COLLAR, TILT CYL LOWER	2	
21	48121-94LA0	SHAFT, TILT CYL LOWER	1	
22	48321-94L00	SHAFT, TILT CYL UPPER	1	
23	48325-94L00	BUSH, TILT CYL UPPER	2	
24	09100-10323	BOLT (10X35)	2	
25	09160-10158	WASHER (10.5X30X3)	2	
26	48326-94L00	BUSH	2	
27	09380-12002	SNAP RING	2	
28	55321-87J01	ANODE, PROTECTION	1	
29	09103-06281	BOLT (6X14)	1	
30	09125-06063	SCREW (6X10)	1	
31	09404-06207	CLAMP (L:65)	1	

FIG.338B



DF25A_30A_P01_017_338B
TILT CYLINDER

FIG.338B (1-K-14) TILT CYLINDER (DF25ATH P01)

REF NO.	PART NO.	DESCRIPTION	Q'TY	REMARKS
1	48000-94L01	POWER TRIM ASSY	1	
2	48571-89J01	.RESERVOIR	1	
3	48572-89J01	.PLUG	1	
4	48583-95E00	.JOINT, DRIVE	1	
5	48818-97E00	.O RING	1	
6	48823-89J00	.SPRING, PRESSURE VALVE	1	
7	48832-89J00	.VALVE, PRESSURE	1	
8	48834-89J00	.SHEET, VALVE	1	
9	48842-89J00	.BALL, PRESSURE VALVE	1	
10	48861-89J01	.BOLT, RESERVOIR	2	
11	48510-89J00	.PUMP ASSY	1	
12	29404-93J10	.CLAMP	1	
13	31123-89J10	.O RING	1	
14	38100-94L01	.MOTOR ASSY, PTT	1	
15	48518-87D00	.O RING	1	
16	48551-89J00	.VALVE, MANUAL	1	
17	48553-97E00	.SEAL, WASHER	1	
18	48585-89J00	.O RING, RESERVOIR	1	
19	48681-87J11	.CIRCLIP	1	
20	47226-94L00	COLLAR, TILT CYL LOWER	2	
21	48121-94LA0	SHAFT, TILT CYL LOWER	1	
22	48321-94L00	SHAFT, TILT CYL UPPER	1	
23	48325-94L00	BUSH, TILT CYL UPPER	2	
24	09100-10323	BOLT (10X35)	2	
25	09160-10158	WASHER (10.5X30X3)	2	
26	48326-94L00	BUSH	2	
27	09380-12002	SNAP RING	2	
28	55321-87J01	ANODE, PROTECTION	1	
29	09103-06281	BOLT (6X14)	1	
30	09125-06063	SCREW (6X10)	1	
31	09404-06207	CLAMP (L:65)	1	

DF25A_30A_P01_017

FIG.338C

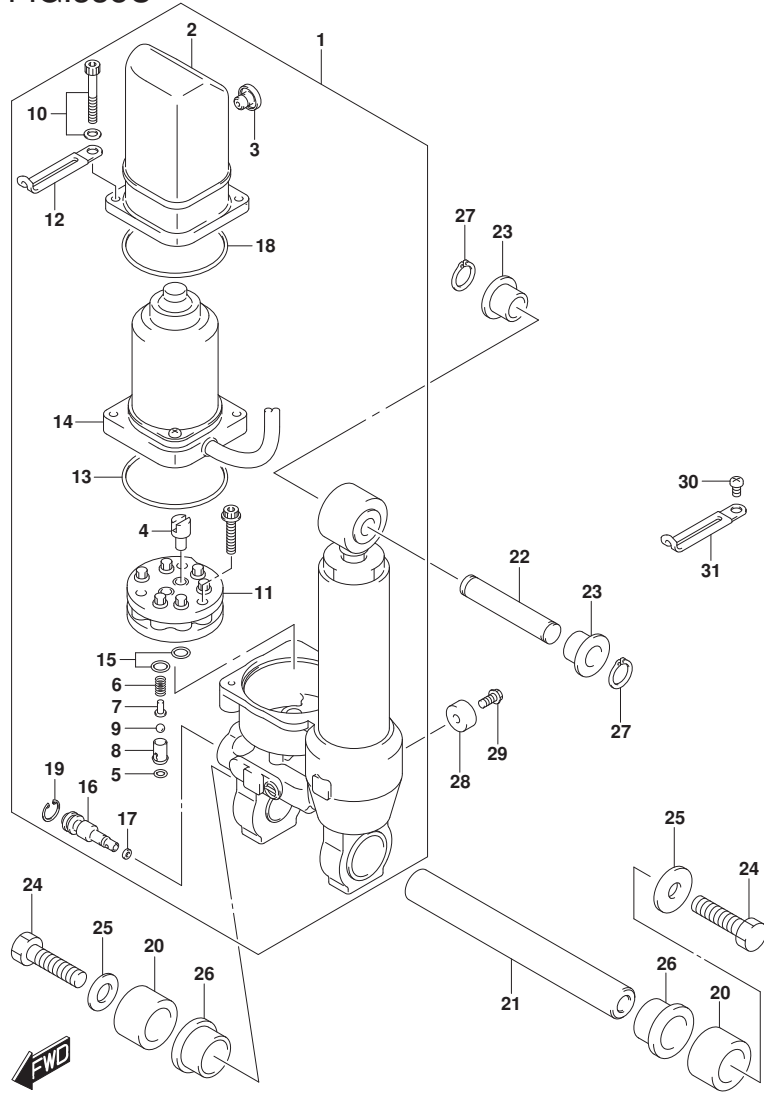
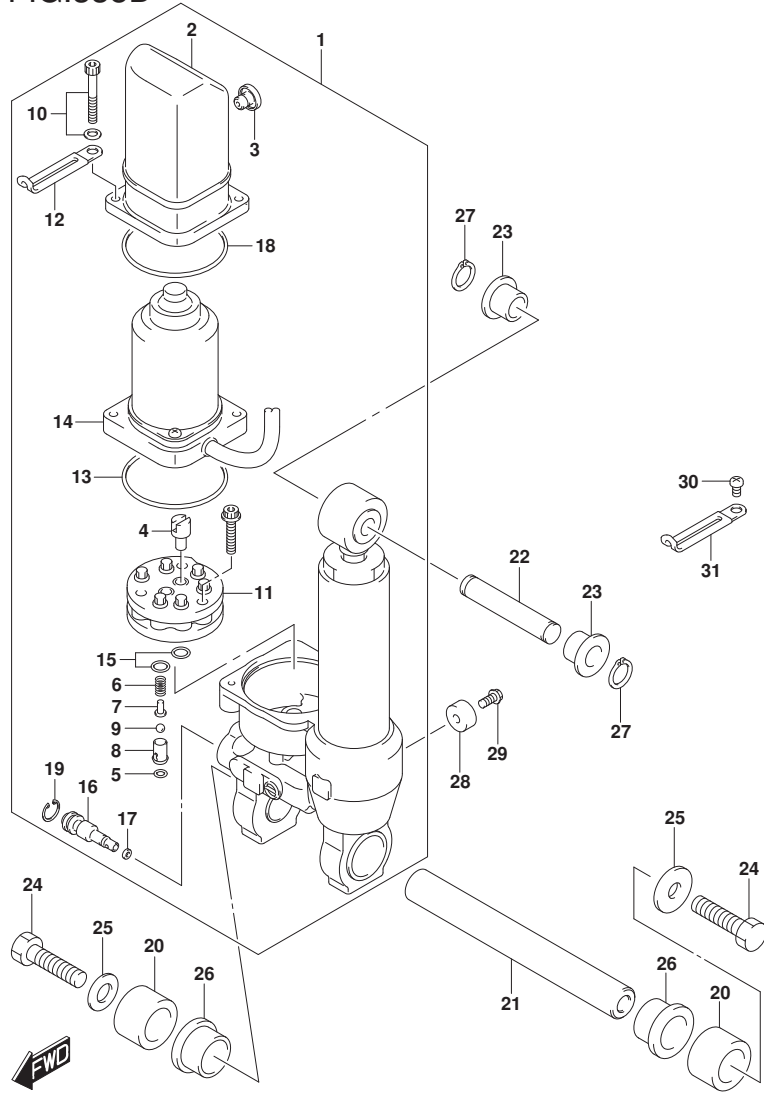


FIG.338C (1-K-15) TILT CYLINDER (DF30AT P01)

REF NO.	PART NO.	DESCRIPTION	Q'TY	REMARKS
1	48000-94L01	POWER TRIM ASSY	1	
2	48571-89J01	.RESERVOIR	1	
3	48572-89J01	.PLUG	1	
4	48583-95E00	.JOINT, DRIVE	1	
5	48818-97E00	.O RING	1	
6	48823-89J00	.SPRING, PRESSURE VALVE	1	
7	48832-89J00	.VALVE, PRESSURE	1	
8	48834-89J00	.SHEET, VALVE	1	
9	48842-89J00	.BALL, PRESSURE VALVE	1	
10	48861-89J01	.BOLT, RESERVOIR	2	
11	48510-89J00	.PUMP ASSY	1	
12	29404-93J10	.CLAMP	1	
13	31123-89J10	.O RING	1	
14	38100-94L01	.MOTOR ASSY, PTT	1	
15	48518-87D00	.O RING	1	
16	48551-89J00	.VALVE, MANUAL	1	
17	48553-97E00	.SEAL, WASHER	1	
18	48585-89J00	.O RING, RESERVOIR	1	
19	48681-87J11	.CIRCLIP	1	
20	47226-94L00	COLLAR, TILT CYL LOWER	2	
21	48121-94LA0	SHAFT, TILT CYL LOWER	1	
22	48321-94L00	SHAFT, TILT CYL UPPER	1	
23	48325-94L00	BUSH, TILT CYL UPPER	2	
24	09100-10323	BOLT (10X35)	2	
25	09160-10158	WASHER (10.5X30X3)	2	
26	48326-94L00	BUSH	2	
27	09380-12002	SNAP RING	2	
28	55321-87J01	ANODE, PROTECTION	1	
29	09103-06281	BOLT (6X14)	1	
30	09125-06063	SCREW (6X10)	1	
31	09404-06207	CLAMP (L:65)	1	

FIG.338D



DF25A_30A_P01_017_338D
TILT CYLINDER

FIG.338D (1-L-2) TILT CYLINDER (DF30ATH P01)

REF NO.	PART NO.	DESCRIPTION	Q'TY	REMARKS
1	48000-94L01	POWER TRIM ASSY	1	
2	48571-89J01	.RESERVOIR	1	
3	48572-89J01	.PLUG	1	
4	48583-95E00	.JOINT, DRIVE	1	
5	48818-97E00	.O RING	1	
6	48823-89J00	.SPRING, PRESSURE VALVE	1	
7	48832-89J00	.VALVE, PRESSURE	1	
8	48834-89J00	.SHEET, VALVE	1	
9	48842-89J00	.BALL, PRESSURE VALVE	1	
10	48861-89J01	.BOLT, RESERVOIR	2	
11	48510-89J00	.PUMP ASSY	1	
12	29404-93J10	.CLAMP	1	
13	31123-89J10	.O RING	1	
14	38100-94L01	.MOTOR ASSY, PTT	1	
15	48518-87D00	.O RING	1	
16	48551-89J00	.VALVE, MANUAL	1	
17	48553-97E00	.SEAL, WASHER	1	
18	48585-89J00	.O RING, RESERVOIR	1	
19	48681-87J11	.CIRCLIP	1	
20	47226-94L00	COLLAR, TILT CYL LOWER	2	
21	48121-94LA0	SHAFT, TILT CYL LOWER	1	
22	48321-94L00	SHAFT, TILT CYL UPPER	1	
23	48325-94L00	BUSH, TILT CYL UPPER	2	
24	09100-10323	BOLT (10X35)	2	
25	09160-10158	WASHER (10.5X30X3)	2	
26	48326-94L00	BUSH	2	
27	09380-12002	SNAP RING	2	
28	55321-87J01	ANODE, PROTECTION	1	
29	09103-06281	BOLT (6X14)	1	
30	09125-06063	SCREW (6X10)	1	
31	09404-06207	CLAMP (L:65)	1	

DF25A_30A_P01_017

FIG.339A

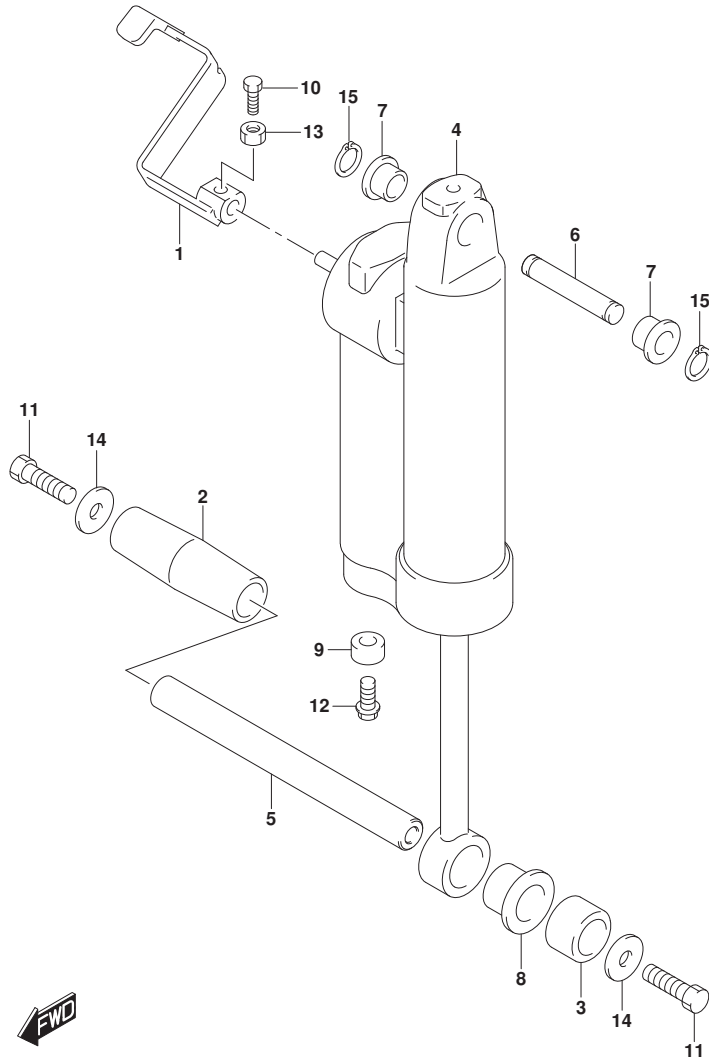


FIG.339A (1-L-3) GAS CYLINDER (DF30AQ P01)

REF NO.	PART NO.	DESCRIPTION	Q'TY	REMARKS
1	45260-94LA0	LEVER, RELEASE	1	
2	47225-94L00	SPACER, TILT CYL LOWER STBD	1	
3	47226-94L00	SPACER, TILT CYL LOWER PORT	1	
4	47400-95J02	CYLINDER ASSY, GAS	1	
5	48121-94LA0	SHAFT, TILT CYLINDER LOWER	1	
6	48321-94L00	SHAFT, TILT CYLINDER UPPER	1	
7	48325-94L00	BUSH, TILT CYLINDER UPPER	2	
8	48326-94L00	BUSH, TILT CYLINDER LOWER	1	
9	55321-87J01	ANODE, PROTECTION	1	
10	09100-06113	BOLT (6X16)	1	
11	09100-10323	BOLT (10X35)	2	
12	09103-06281	BOLT (6X14)	1	
13	09140-06020	NUT	1	
14	09160-10158	WASHER (10.5X30X3)	2	
15	09380-12002	SNAP RING	2	

FIG.340A

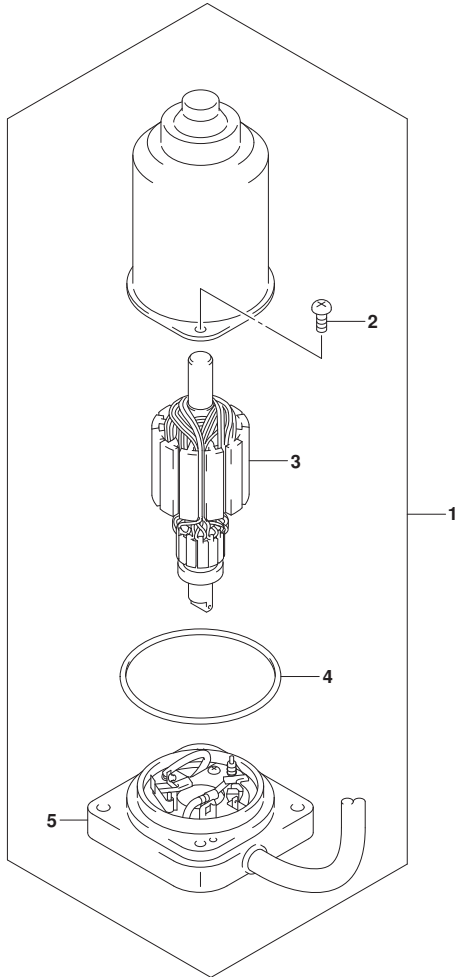


FIG.340A (1-L-4) PTT MOTOR (DF25AT P01)

REF NO.	PART NO.	DESCRIPTION	QTY	REMARKS
1	38100-94L01	MOTOR ASSY, PTT	1	
2	31111-89J00	.SCREW	2	
3	31311-89J00	.ARMATURE	1	
4	31123-89J00	.O RING	1	
5	31173-94L01	.HOLDER, BRUSH	1	



FIG.340B

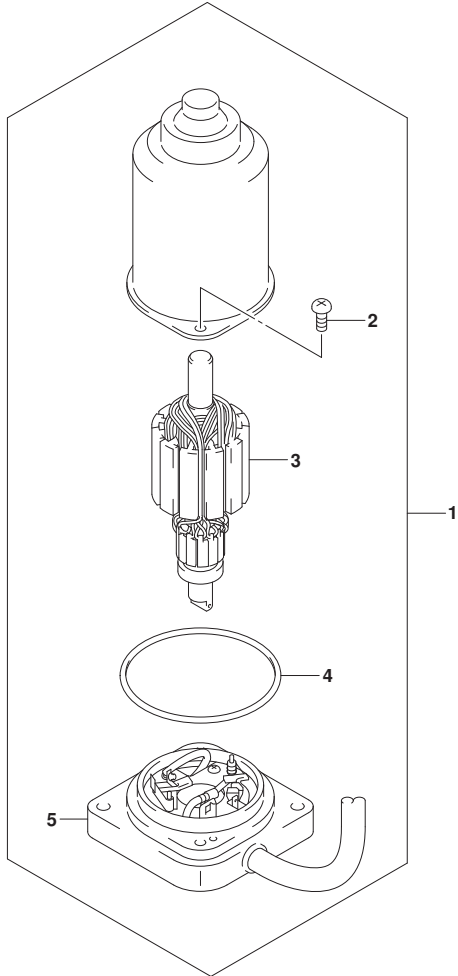


FIG.340B (1-L-5) PTT MOTOR (DF25ATH P01)

REF NO.	PART NO.	DESCRIPTION	QTY	REMARKS
1	38100-94L01	MOTOR ASSY, PTT	1	
2	31111-89J00	.SCREW	2	
3	31311-89J00	.ARMATURE	1	
4	31123-89J00	.O RING	1	
5	31173-94L01	.HOLDER, BRUSH	1	



FIG.340C

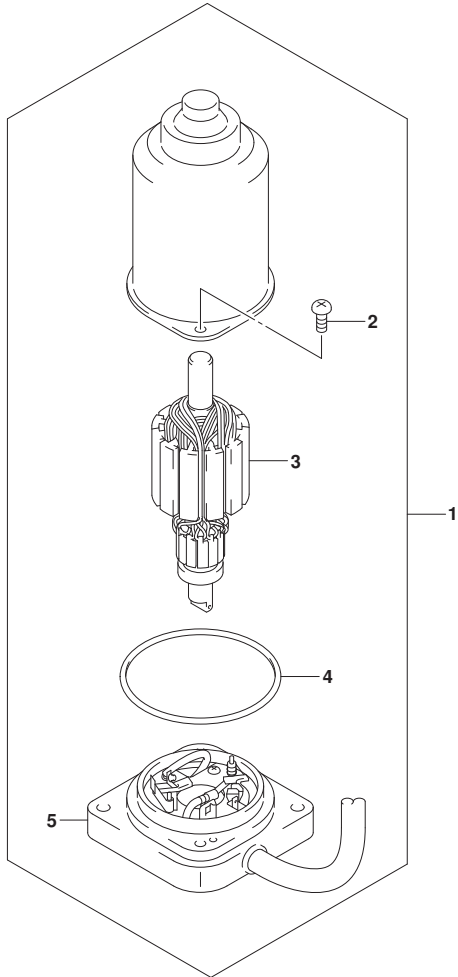


FIG.340C (1-L-6) PTT MOTOR (DF30AT P01)

REF NO.	PART NO.	DESCRIPTION	QTY	REMARKS
1	38100-94L01	MOTOR ASSY, PTT	1	
2	31111-89J00	.SCREW	2	
3	31311-89J00	.ARMATURE	1	
4	31123-89J00	.O RING	1	
5	31173-94L01	.HOLDER, BRUSH	1	

FIG.340D

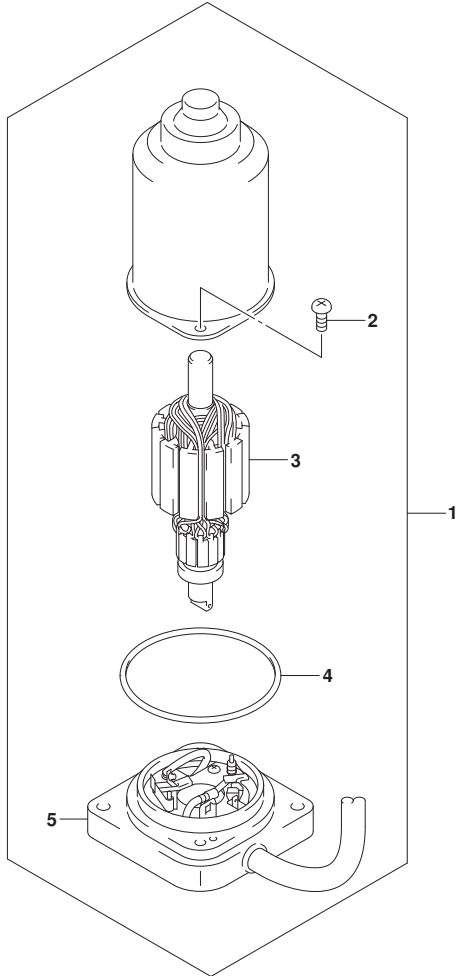


FIG.340D (1-L-7) PTT MOTOR (DF30ATH P01)

REF NO.	PART NO.	DESCRIPTION	QTY	REMARKS
1	38100-94L01	MOTOR ASSY, PTT	1	
2	31111-89J00	.SCREW	2	
3	31311-89J00	.ARMATURE	1	
4	31123-89J00	.O RING	1	
5	31173-94L01	.HOLDER, BRUSH	1	



FIG.401A

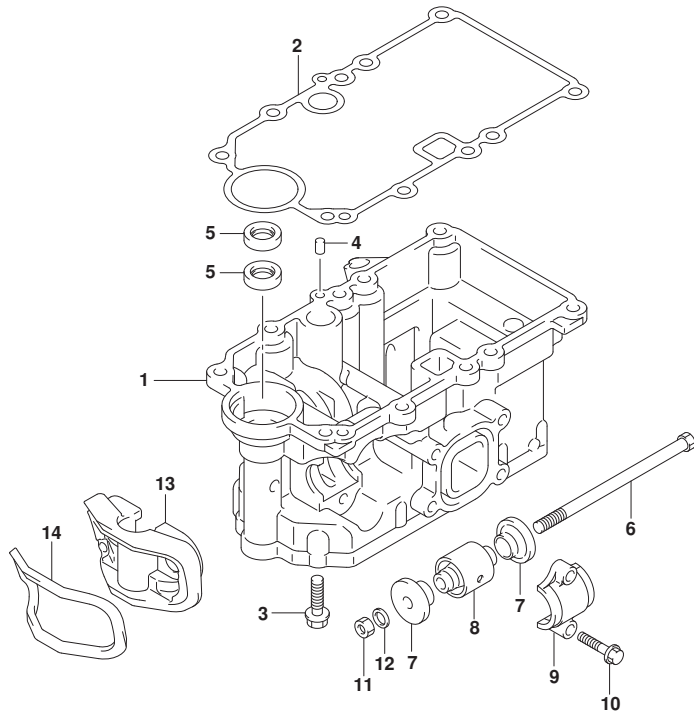


FIG.401A (1-L-8) ENGINE HOLDER

REF NO.	PART NO.	DESCRIPTION	Q'TY	REMARKS
1	51110-94L00	HOLDER, ENGINE	1	
2	51211-94L00	GASKET, ENGINE HOLDER	1	
3	09116-08150	BOLT (8X27)	10	
4	09202-06023	PIN (6X10)	2	
5	09282-15009	OIL SEAL (14.7X25X6.5)	2	
6	54112-94L00	BOLT, UPPER MOUNT	2	
7	54125-94L00	STOPPER, UPPER MOUNT THRUST	4	
8	54130-94L00	MOUNT, UPPER	2	
9	54137-94L00	COVER, UPPER MOUNT	2	
10	09116-08152	BOLT (8X35)	4	
11	09140-10031	NUT	2	
12	09160-10156	WASHER (10.3X16.5X2.5)	2	
13	54144-94L00	SEAL, UPPER MOUNT	1	
14	54145-94L00	SEAL, UPPER MOUNT NO.2	1	



FIG.405A

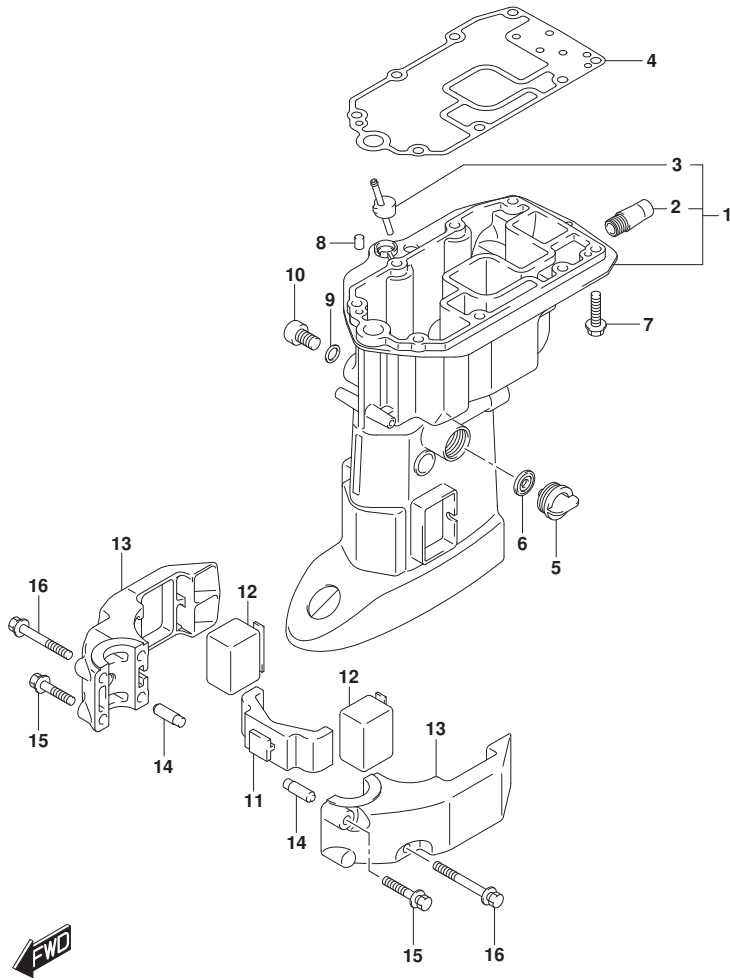


FIG.405A (1-L-9) DRIVE SHAFT HOUSING

REF NO.	PART NO.	DESCRIPTION	Q'TY	REMARKS
1-1	52110-94L00-YAY	HOUSING, DRIVE SHAFT (S) (BLACK)	1	W/TRANSOM(S)
1-2	52110-94L10-YAY	HOUSING, DRIVE SHAFT (L) (BLACK)	1	W/TRANSOM(L)
2	43112-94L01	.PIPE, EXHAUST	1	
3	61155-94L00	.TUBE, WATER INSP	1	
4	52113-94L00	GASKET, DRIVE SHAFT HOUSING	1	
5	17913-93J00	PLUG, WATER	1	
6	17914-93J00	GASKET, WATER PLUG	1	
7	09116-08151	BOLT (8X30)	8	
8	09202-06023	PIN (6X10)	2	
9	09168-12017	GASKET (12X17X1)	1	
10	09248-12012	PLUG, DRAIN	1	
11	54151-94L00	MOUNT, LOWER THRUST	1	
12	54167-94L00	MOUNT, LOWER SIDE	2	
13	54211-94L00-YAY	COVER, LOWER MOUNT (BLACK)	2	
14	54213-93901	PIN, LWR MOUNT COVER KNOCK	2	
15	09116-08154	BOLT (8X40)	2	
16	09116-08162	BOLT (8X65)	2	

FIG.407A

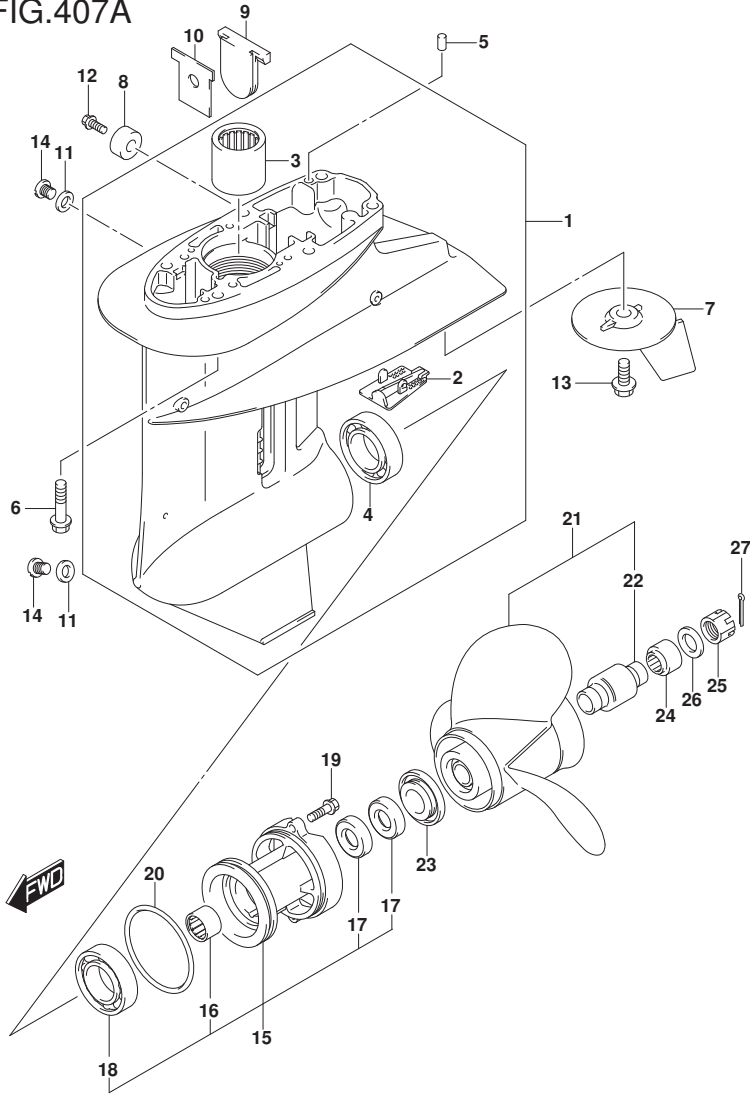


FIG.407A (1-L-10) GEAR CASE

REF NO.	PART NO.	DESCRIPTION	Q'TY	REMARKS
1	55100-94L00-YAY	CASE ASSY, GEAR (BLACK)	1	
2	55114-963L0	.COVER, GEAR CASE UNDER	1	
3	09263-20046	.BEARING (20.6X27X25.4)	1	
4	09265-25047	.BEARING (25X52X16.25)	1	
5	09202-06023	PIN (6X10)	2	
6	09116-08154	BOLT (8X40)	6	
7	55125-96310	TRIM, TAB	1	
8	55321-87J01	ANODE, PROTECTION	1	
9	55332-94L00	RUBBER, EXHAUST SEAL	1	
10	55333-94L00	PLATE, EXHAUST SEAL	1	
11	59178-97J00	GASKET, DRAIN PLUG	2	
12	09103-06281	BOLT (6X14)	1	
13	09116-08147	BOLT (8X16)	1	
14	09248-08001	PLUG (8X7.5)	2	
15	56120-91L11-YAY	HOUSING, PROPELLER SHAFT BEARING (BLACK)	1	
16	09263-20047	.BEARING (20X26X20)	1	
17	09289-20L01	.OIL SEAL (20X34X6.5)	2	
18	08113-60060	.BEARING	1	
19	09116-06229	BOLT (6X25)	2	
20	09280-75002	O RING (D:3.5,ID:68.6)	1	
21-1	58100-91L40-019	PROPELLER (3X10-1/4X10) (BLACK)	1	
21-2	58100-96421-019	PROPELLER (3X10-1/4X11) (BLACK)	1	
21-3	58100-91L20-019	PROPELLER (3X10-1/4X12) (BLACK)	1	
21-4	58100-91L30-019	PROPELLER (3X10-1/4X13) (BLACK)	1	
21-5	58100-95D01-019	PROPELLER (3X10-1/4X14) (BLACK)	1	
21-6	58100-96372-019	PROPELLER (3X10-1/4X9) (BLACK)	1	

FIG.407A

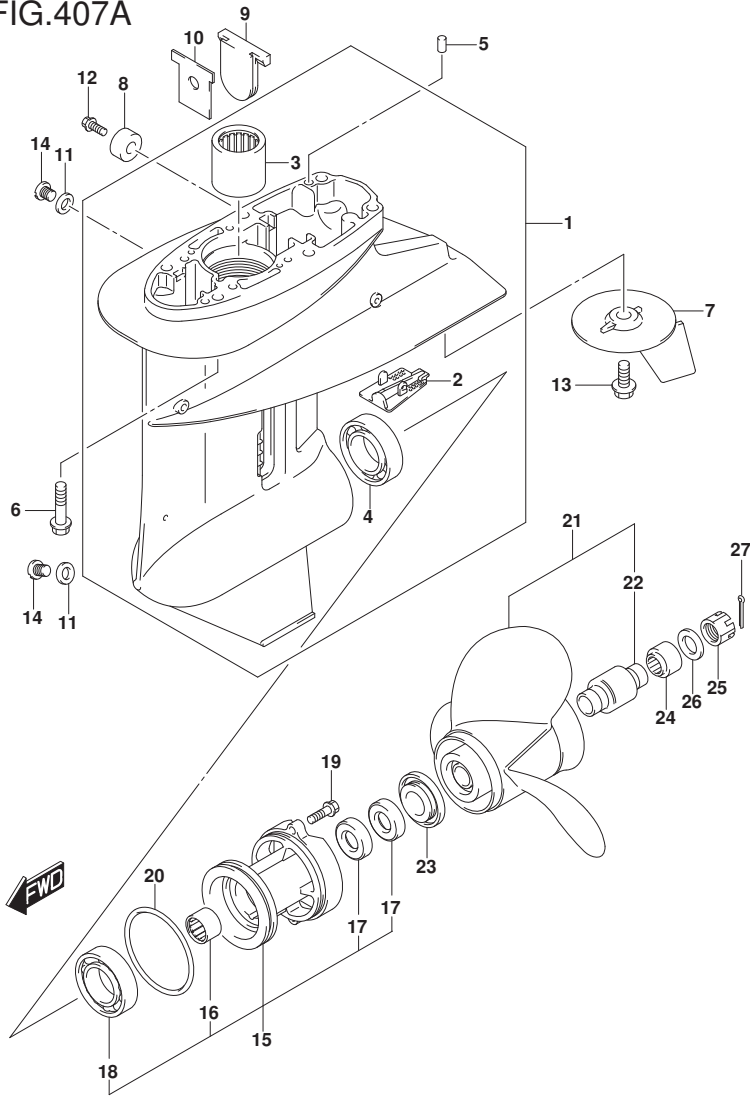


FIG.407A (1-L-11) GEAR CASE

REF NO.	PART NO.	DESCRIPTION	Q'TY	REMARKS
21-7	58100-96472-019	PROPELLER (3X10-1/4X10) (BLACK)	1	
21-8	58100-96482-019	PROPELLER (3X10-1/4X12) (BLACK)	1	
21-9	58100-96492-019	PROPELLER (3X10-1/4X13) (BLACK)	1	OPT
21-10	58100-96462-019	PROPELLER (3X10-1/4X15) (BLACK)	1	OPT
22	58120-96401	.BUSH, PROPELLER	1	
23	57632-91L00	STOPPER, PROPELLER BUSH	1	
24	57633-96300	SPACER, PROPELLER NUT	1	
25	09141-14008	NUT	1	
26	09160-14028	WASHER (14.5X30X2.5)	1	
27	09204-03003	COTTER PIN (D:3.6,L:25)	1	

FIG.410A

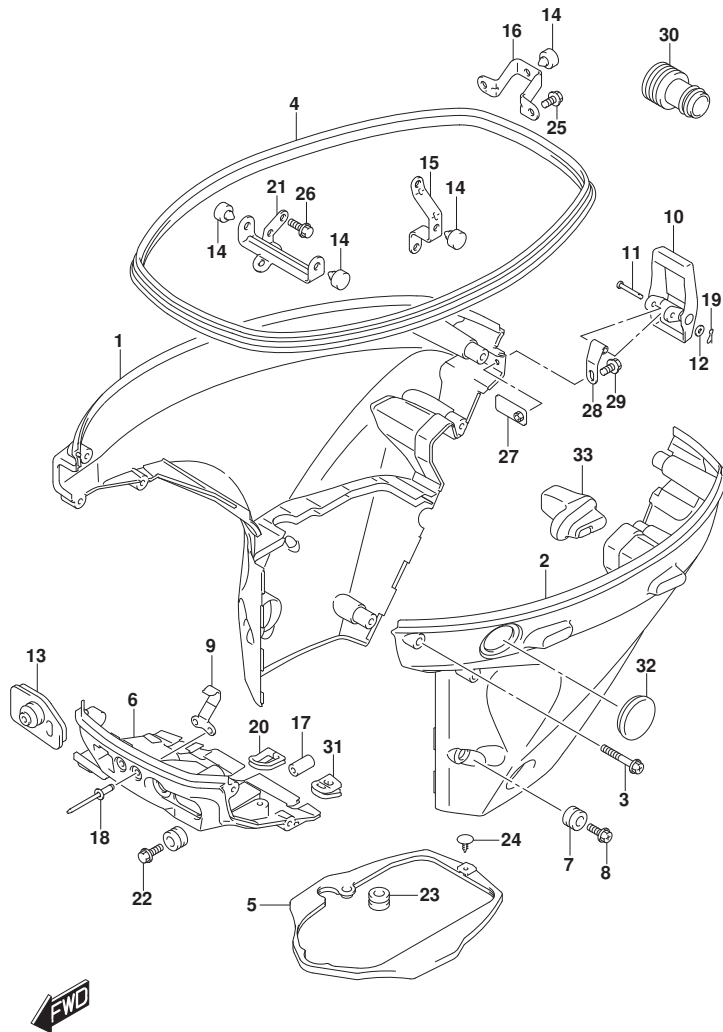


FIG.410A (1-L-12) SIDE COVER (DF25A P01)

REF NO.	PART NO.	DESCRIPTION	Q'TY	REMARKS
1	61810-94L00-YAY	COVER, SIDE STBD (BLACK)	1	
2	61820-94L00-YAY	COVER, SIDE PORT (BLACK)	1	
3	09136-06169	SCREW (6X35)	8	
4	61112-94L10	RUBBER, SIDE COVER	1	
5	61134-94L00	SEAL, SIDE COVER	1	
6	61830-94L00-YAY	PANEL, FRONT (BLACK)	1	
7	09320-11017	CUSHION	2	
8	09136-06168	SCREW (6X17)	2	
9	61412-89L00	HOOK, FRONT PANEL	1	
10	61610-90L00	FASTENER	1	
11	61616-93EL0	PIN, LEVER	1	
12	09161-04012	WASHER (4.2X11X1)	1	
13-1	61124-94L00	GROMMET, CABLE	1	W/MANUAL STARTER
13-2	61124-94L20	GROMMET, CABLE	1	W/ELECTRIC STARTER
14	61151-91J11	CUSHION, LOWER COVER HOLDER	4	
15	61827-94L00	HOLDER, SIDE COVER	1	
16	61829-94L00	HOLDER, SIDE COVER REAR	1	
17	09251-09007	CUSHION	1	
18	09229-04005	RIVET	2	
19	09385-04003	CLIP	1	
20	23131-94L00	BOOT, CLUTCH ROD	1	
21	61841-94L00	HOLDER, SIDE COVER	1	
22	09136-06168	SCREW (6X17)	1	
23	09320-11017	CUSHION	1	
24	09409-05302-5PK	CLIP (BLACK)	1	
25	01550-0616C	BOLT	2	
26	01550-0820C	BOLT	1	
27	61620-94L00	PLATE, FASTENER HOLDER	1	
28	61642-90L00	HOLDER, FASTENER LEVER	1	
29	09116-06223	BOLT (6X12)	1	
30	17917-87LL0	CONNECTOR, FLUSH WATER	1	
31	36656-94L00	GROMMET, PT CABLE	1	
32	37853-94L00	PLUG, PT SWITCH HOLE	1	
33	61151-94L00	CUSHION, SIDE COVER	1	

FIG.410B

FIG.410B (1-L-13) SIDE COVER (DF25AR P01)

REF NO.	PART NO.	DESCRIPTION	Q'TY	REMARKS
1	61810-94L00-YAY	COVER, SIDE STBD (BLACK)	1	
2	61820-94L00-YAY	COVER, SIDE PORT (BLACK)	1	
3	09136-06169	SCREW (6X35)	8	
4	61112-94L10	RUBBER, SIDE COVER	1	
5	61134-94L00	SEAL, SIDE COVER	1	
6	61830-94L00-YAY	PANEL, FRONT (BLACK)	1	
7	09320-11017	CUSHION	2	
8	09136-06168	SCREW (6X17)	2	
9	61412-89L00	HOOK, FRONT PANEL	1	
10	61610-90L00	FASTENER	1	
11	61616-93EL0	PIN, LEVER	1	
12	09161-04012	WASHER (4.2X11X1)	1	
13	61124-94L10	GROMMET, CABLE R/CON	1	
14	61151-91J11	CUSHION, LOWER COVER HOLDER	4	
15	61827-94L00	HOLDER, SIDE COVER	1	
16	61829-94L00	HOLDER, SIDE COVER REAR	1	
17	09251-09007	CUSHION	1	
18	09229-04005	RIVET	2	
19	09385-04003	CLIP	1	
20	23131-94L00	BOOT, CLUTCH ROD	1	
21	61841-94L00	HOLDER, SIDE COVER	1	
22	09136-06168	SCREW (6X17)	1	
23	09320-11017	CUSHION	1	
24	09409-05302-5PK	CLIP (BLACK)	1	
25	01550-0616C	BOLT	2	
26	01550-0820C	BOLT	1	
27	61620-94L00	PLATE, FASTENER HOLDER	1	
28	61642-90L00	HOLDER, FASTENER LEVER	1	
29	09116-06223	BOLT (6X12)	1	
30	17917-87LLO	CONNECTOR, FLUSH WATER	1	
31	67341-94L00	HOLDER, R/CON CABLE	1	
32	01547-0616C	BOLT	2	
33	36656-94L00	GROMMET, PT CABLE	1	
34	37853-94L00	PLUG, PT SWITCH HOLE	1	

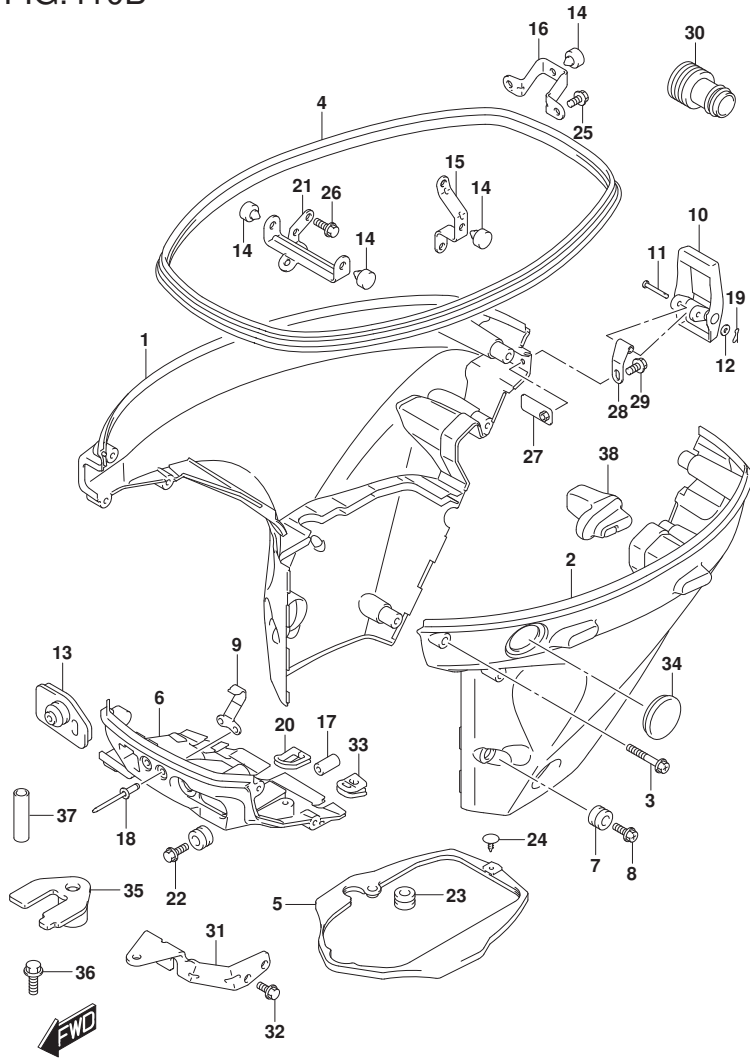


FIG.410B

FIG.410B (1-L-14) SIDE COVER (DF25AR P01)

REF NO.	PART NO.	DESCRIPTION	Q'TY	REMARKS
35	67343-94L00	STOPPER, R/CON CABLE	1	
36	09116-06225	BOLT (6X15)	1	
37	09352-70103-600	HOSE (7X10.2X600)	2	L:600->14
38	61151-94L00	CUSHION, SIDE COVER	1	

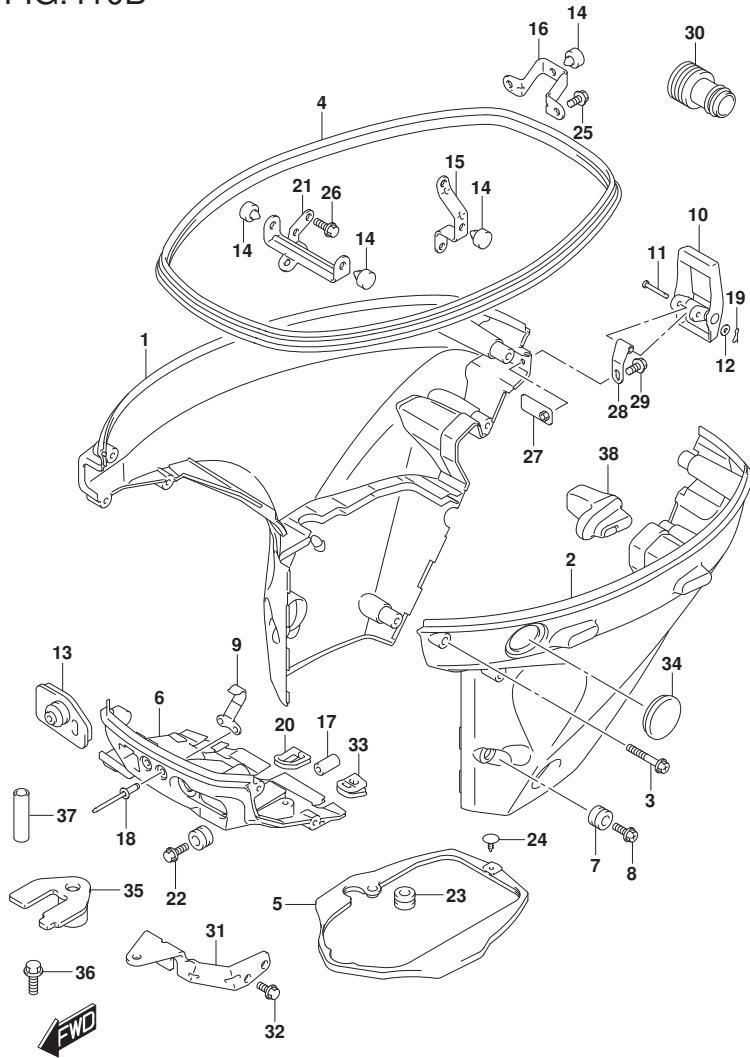


FIG.410C

FIG.410C (1-L-15) SIDE COVER (DF25AT P01)

REF NO.	PART NO.	DESCRIPTION	Q'TY	REMARKS
1	61810-94L00-YAY	COVER, SIDE STBD (BLACK)	1	
2	61820-94L20-YAY	COVER, SIDE PORT (BLACK)	1	
3	09136-06169	SCREW (6X35)	8	
4	61112-94L10	RUBBER, SIDE COVER	1	
5	61134-94L00	SEAL, SIDE COVER	1	
6	61830-94L00-YAY	PANEL, FRONT (BLACK)	1	
7	09320-11017	CUSHION	2	
8	09136-06168	SCREW (6X17)	2	
9	61412-89L00	HOOK, FRONT PANEL	1	
10	61610-90L00	FASTENER	1	
11	61616-93EL0	PIN, LEVER	1	
12	09161-04012	WASHER (4.2X11X1)	1	
13	61124-94L10	GROMMET, CABLE R/CON	1	
14	61151-91J11	CUSHION, LOWER COVER HOLDER	4	
15	61827-94L00	HOLDER, SIDE COVER	1	
16	61829-94L00	HOLDER, SIDE COVER REAR	1	
17	09251-09007	CUSHION	1	
18	09229-04005	RIVET	2	
19	09385-04003	CLIP	1	
20	23131-94L00	BOOT, CLUTCH ROD	1	
21	61841-94L00	HOLDER, SIDE COVER	1	
22	09136-06168	SCREW (6X17)	1	
23	09320-11017	CUSHION	1	
24	09409-05302-5PK	CLIP (BLACK)	1	
25	01550-0616C	BOLT	2	
26	01550-0820C	BOLT	1	
27	61620-94L00	PLATE, FASTENER HOLDER	1	
28	61642-90L00	HOLDER, FASTENER LEVER	1	
29	09116-06223	BOLT (6X12)	1	
30	17917-87LL0	CONNECTOR, FLUSH WATER	1	
31	67341-94L00	HOLDER, R/CON CABLE	1	
32	01547-0616C	BOLT	2	
33	36656-94L00	GROMMET, PT CABLE	1	
34	67343-94L00	STOPPER, R/CON CABLE	1	

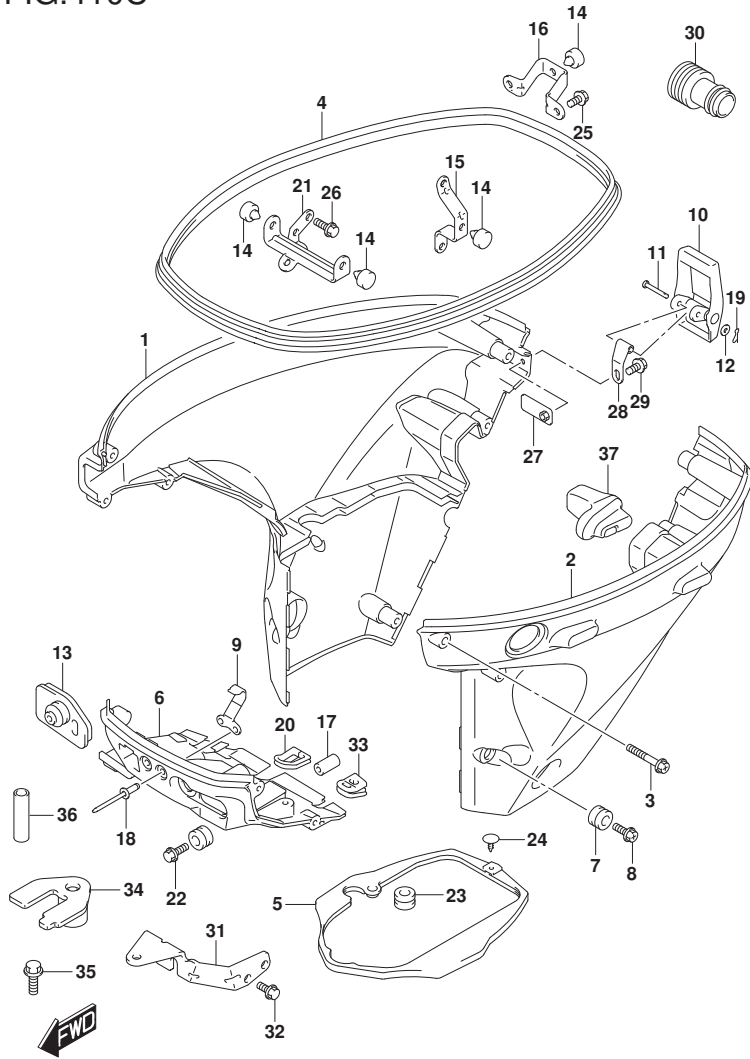


FIG.410C

FIG.410C (2-B-2) SIDE COVER (DF25AT P01)

REF NO.	PART NO.	DESCRIPTION	Q'TY	REMARKS
35	09116-06225	BOLT (6X15)	1	
36	09352-70103-600	HOSE (7X10.2X600)	2	L:600->14
37	61151-94L00	CUSHION, SIDE COVER	1	

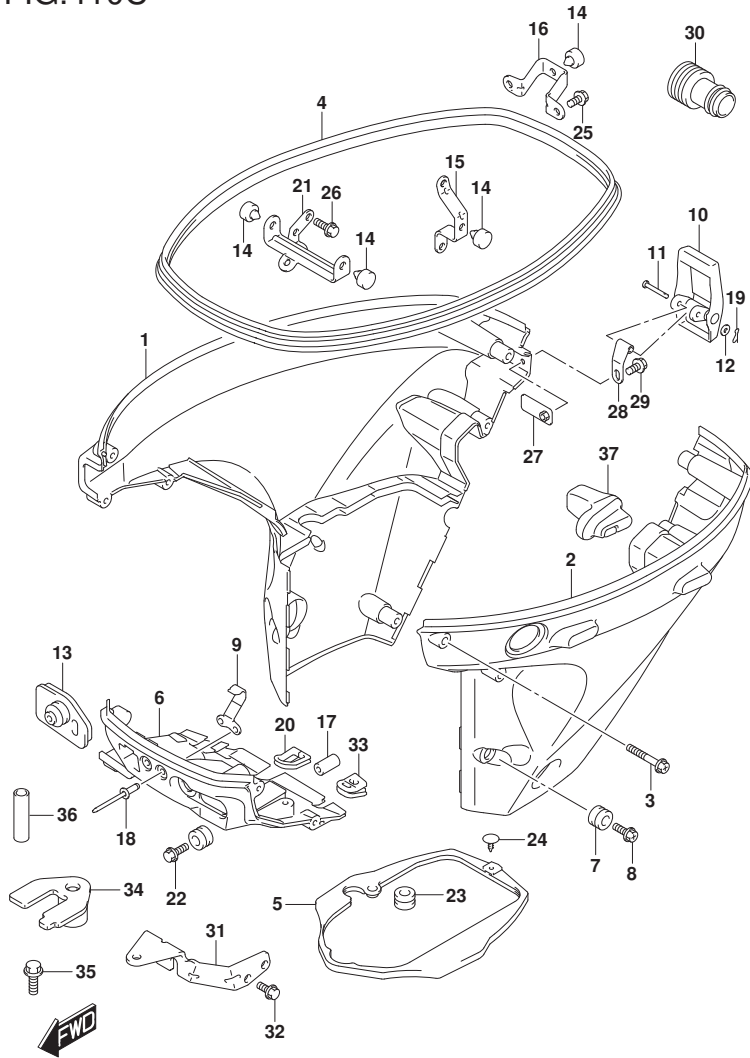


FIG.410D

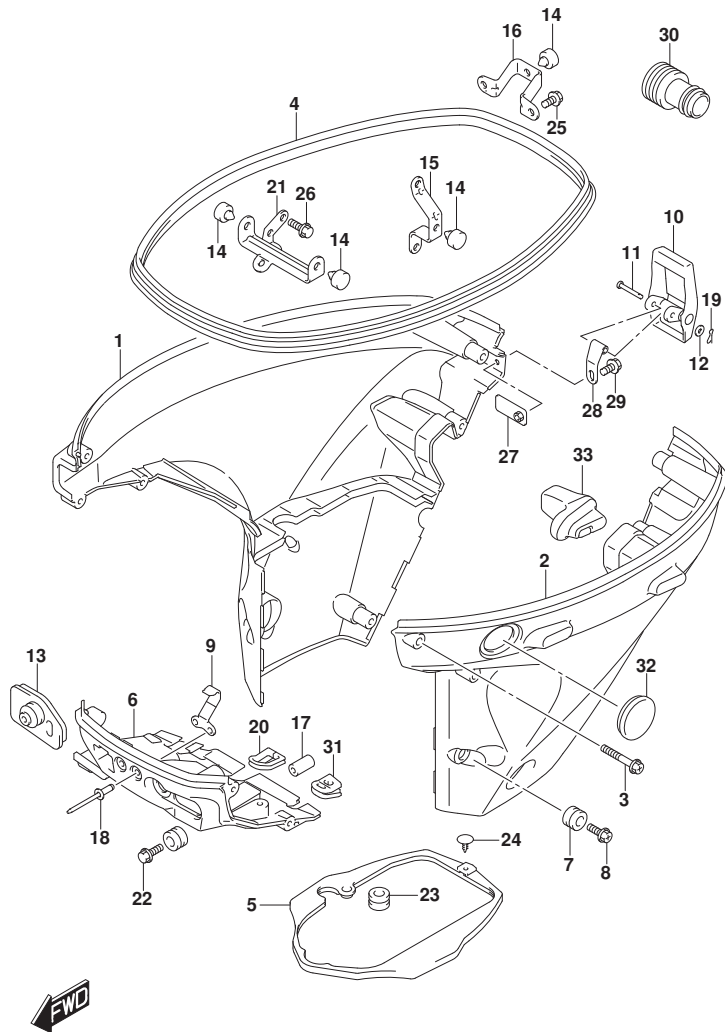


FIG.410D (2-B-3) SIDE COVER (DF25ATH P01)

REF NO.	PART NO.	DESCRIPTION	Q'TY	REMARKS
1	61810-94L00-YAY	COVER, SIDE STBD (BLACK)	1	
2	61820-94L20-YAY	COVER, SIDE PORT (BLACK)	1	
3	09136-06169	SCREW (6X35)	8	
4	61112-94L10	RUBBER, SIDE COVER	1	
5	61134-94L00	SEAL, SIDE COVER	1	
6	61830-94L00-YAY	PANEL, FRONT (BLACK)	1	
7	09320-11017	CUSHION	2	
8	09136-06168	SCREW (6X17)	2	
9	61412-89L00	HOOK, FRONT PANEL	1	
10	61610-90L00	FASTENER	1	
11	61616-93EL0	PIN, LEVER	1	
12	09161-04012	WASHER (4.2X11X1)	1	
13	61124-94L20	GROMMET, CABLE	1	
14	61151-91J11	CUSHION, LOWER COVER HOLDER	4	
15	61827-94L00	HOLDER, SIDE COVER	1	
16	61829-94L00	HOLDER, SIDE COVER REAR	1	
17	09251-09007	CUSHION	1	
18	09229-04005	RIVET	2	
19	09385-04003	CLIP	1	
20	23131-94L00	BOOT, CLUTCH ROD	1	
21	61841-94L00	HOLDER, SIDE COVER	1	
22	09136-06168	SCREW (6X17)	1	
23	09320-11017	CUSHION	1	
24	09409-05302-5PK	CLIP (BLACK)	1	
25	01550-0616C	BOLT	2	
26	01550-0820C	BOLT	1	
27	61620-94L00	PLATE, FASTENER HOLDER	1	
28	61642-90L00	HOLDER, FASTENER LEVER	1	
29	09116-06223	BOLT (6X12)	1	
30	17917-87LL0	CONNECTOR, FLUSH WATER	1	
31	36656-94L00	GROMMET, PT CABLE	1	
32	37853-94L00	PLUG, PT SWITCH HOLE	1	
33	61151-94L00	CUSHION, SIDE COVER	1	

FIG.410E

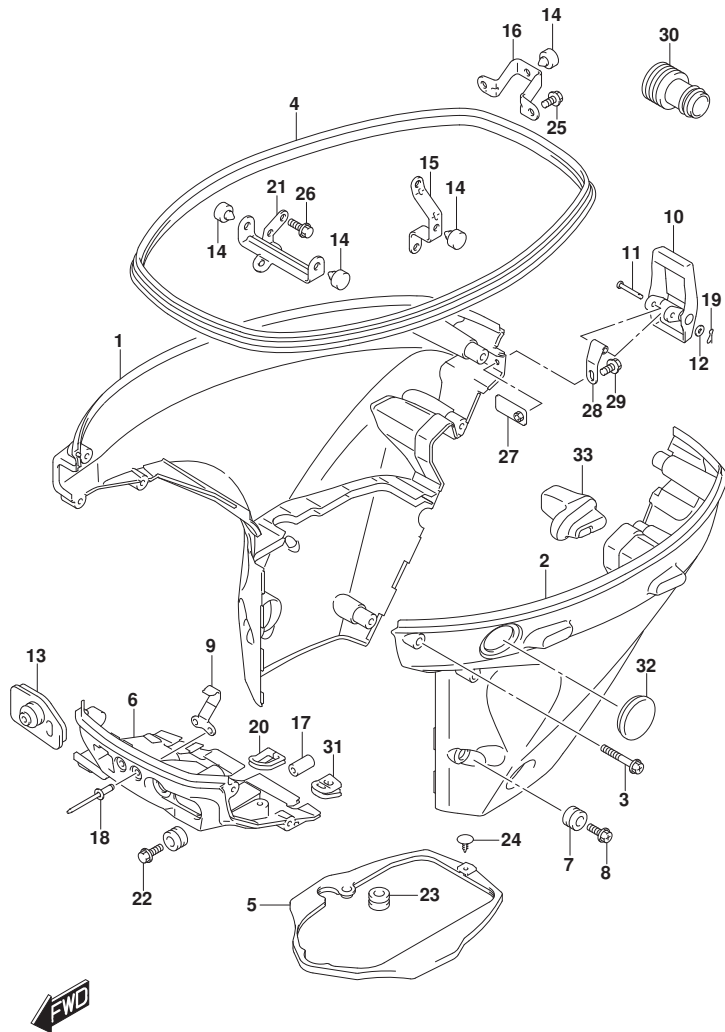


FIG.410E (2-B-4) SIDE COVER (DF30A P40)

REF NO.	PART NO.	DESCRIPTION	Q'TY	REMARKS
1	61810-94L00-YAY	COVER, SIDE STBD (BLACK)	1	
2	61820-94L00-YAY	COVER, SIDE PORT (BLACK)	1	
3	09136-06169	SCREW (6X35)	8	
4	61112-94L10	RUBBER, SIDE COVER	1	
5	61134-94L00	SEAL, SIDE COVER	1	
6	61830-94L00-YAY	PANEL, FRONT (BLACK)	1	
7	09320-11017	CUSHION	2	
8	09136-06168	SCREW (6X17)	2	
9	61412-89L00	HOOK, FRONT PANEL	1	
10	61610-90L00	FASTENER	1	
11	61616-93EL0	PIN, LEVER	1	
12	09161-04012	WASHER (4.2X11X1)	1	
13-1	61124-94L00	GROMMET, CABLE	1	W/MANUAL STARTER
13-2	61124-94L20	GROMMET, CABLE	1	W/ELECTRIC STARTER
14	61151-91J11	CUSHION, LOWER COVER HOLDER	4	
15	61827-94L00	HOLDER, SIDE COVER	1	
16	61829-94L00	HOLDER, SIDE COVER REAR	1	
17	09251-09007	CUSHION	1	
18	09229-04005	RIVET	2	
19	09385-04003	CLIP	1	
20	23131-94L00	BOOT, CLUTCH ROD	1	
21	61841-94L00	HOLDER, SIDE COVER	1	
22	09136-06168	SCREW (6X17)	1	
23	09320-11017	CUSHION	1	
24	09409-05302-5PK	CLIP (BLACK)	1	
25	01550-0616C	BOLT	2	
26	01550-0820C	BOLT	1	
27	61620-94L00	PLATE, FASTENER HOLDER	1	
28	61642-90L00	HOLDER, FASTENER LEVER	1	
29	09116-06223	BOLT (6X12)	1	
30	17917-87LL0	CONNECTOR, FLUSH WATER	1	
31	36656-94L00	GROMMET, PT CABLE	1	
32	37853-94L00	PLUG, PT SWITCH HOLE	1	
33	61151-94L00	CUSHION, SIDE COVER	1	

FIG.410F

FIG.410F (2-B-5) SIDE COVER (DF30AR P01)

REF NO.	PART NO.	DESCRIPTION	Q'TY	REMARKS
1	61810-94L00-YAY	COVER, SIDE STBD (BLACK)	1	
2	61820-94L00-YAY	COVER, SIDE PORT (BLACK)	1	
3	09136-06169	SCREW (6X35)	8	
4	61112-94L10	RUBBER, SIDE COVER	1	
5	61134-94L00	SEAL, SIDE COVER	1	
6	61830-94L00-YAY	PANEL, FRONT (BLACK)	1	
7	09320-11017	CUSHION	2	
8	09136-06168	SCREW (6X17)	2	
9	61412-89L00	HOOK, FRONT PANEL	1	
10	61610-90L00	FASTENER	1	
11	61616-93EL0	PIN, LEVER	1	
12	09161-04012	WASHER (4.2X11X1)	1	
13	61124-94L10	GROMMET, CABLE R/CON	1	
14	61151-91J11	CUSHION, LOWER COVER HOLDER	4	
15	61827-94L00	HOLDER, SIDE COVER	1	
16	61829-94L00	HOLDER, SIDE COVER REAR	1	
17	09251-09007	CUSHION	1	
18	09229-04005	RIVET	2	
19	09385-04003	CLIP	1	
20	23131-94L00	BOOT, CLUTCH ROD	1	
21	61841-94L00	HOLDER, SIDE COVER	1	
22	09136-06168	SCREW (6X17)	1	
23	09320-11017	CUSHION	1	
24	09409-05302-5PK	CLIP (BLACK)	1	
25	01550-0616C	BOLT	2	
26	01550-0820C	BOLT	1	
27	61620-94L00	PLATE, FASTENER HOLDER	1	
28	61642-90L00	HOLDER, FASTENER LEVER	1	
29	09116-06223	BOLT (6X12)	1	
30	17917-87LL0	CONNECTOR, FLUSH WATER	1	
31	67341-94L00	HOLDER, R/CON CABLE	1	
32	01547-0616C	BOLT	2	
33	36656-94L00	GROMMET, PT CABLE	1	
34	37853-94L00	PLUG, PT SWITCH HOLE	1	

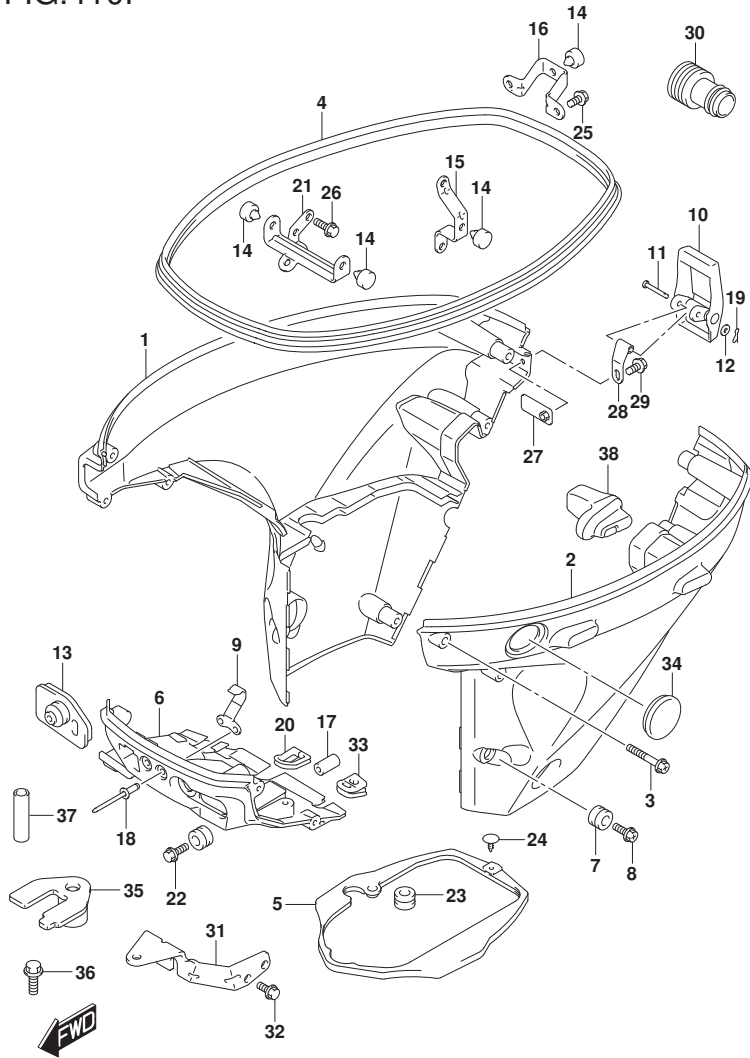


FIG.410F

FIG.410F (2-B-6) SIDE COVER (DF30AR P01)

REF NO.	PART NO.	DESCRIPTION	Q'TY	REMARKS
35	67343-94L00	STOPPER, R/CON CABLE	1	
36	09116-06225	BOLT (6X15)	1	
37	09352-70103-600	HOSE (7X10.2X600)	2	L:600->14
38	61151-94L00	CUSHION, SIDE COVER	1	

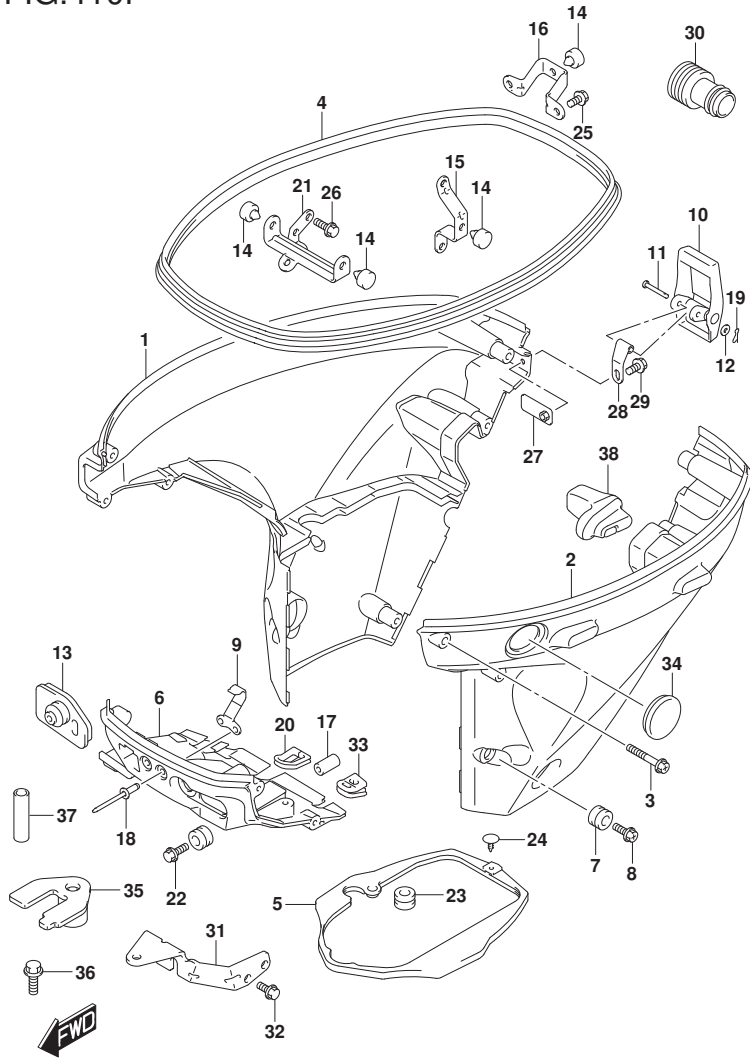


FIG.410G

FIG.410G (2-B-7) SIDE COVER (DF30AT P01)

REF NO.	PART NO.	DESCRIPTION	Q'TY	REMARKS
1	61810-94L00-YAY	COVER, SIDE STBD (BLACK)	1	
2	61820-94L20-YAY	COVER, SIDE PORT (BLACK)	1	
3	09136-06169	SCREW (6X35)	8	
4	61112-94L10	RUBBER, SIDE COVER	1	
5	61134-94L00	SEAL, SIDE COVER	1	
6	61830-94L00-YAY	PANEL, FRONT (BLACK)	1	
7	09320-11017	CUSHION	2	
8	09136-06168	SCREW (6X17)	2	
9	61412-89L00	HOOK, FRONT PANEL	1	
10	61610-90L00	FASTENER	1	
11	61616-93EL0	PIN, LEVER	1	
12	09161-04012	WASHER (4.2X11X1)	1	
13	61124-94L10	GROMMET, CABLE R/CON	1	
14	61151-91J11	CUSHION, LOWER COVER HOLDER	4	
15	61827-94L00	HOLDER, SIDE COVER	1	
16	61829-94L00	HOLDER, SIDE COVER REAR	1	
17	09251-09007	CUSHION	1	
18	09229-04005	RIVET	2	
19	09385-04003	CLIP	1	
20	23131-94L00	BOOT, CLUTCH ROD	1	
21	61841-94L00	HOLDER, SIDE COVER	1	
22	09136-06168	SCREW (6X17)	1	
23	09320-11017	CUSHION	1	
24	09409-05302-5PK	CLIP (BLACK)	1	
25	01550-0616C	BOLT	2	
26	01550-0820C	BOLT	1	
27	61620-94L00	PLATE, FASTENER HOLDER	1	
28	61642-90L00	HOLDER, FASTENER LEVER	1	
29	09116-06223	BOLT (6X12)	1	
30	17917-87LL0	CONNECTOR, FLUSH WATER	1	
31	67341-94L00	HOLDER, R/CON CABLE	1	
32	01547-0616C	BOLT	2	
33	36656-94L00	GROMMET, PT CABLE	1	
34	67343-94L00	STOPPER, R/CON CABLE	1	

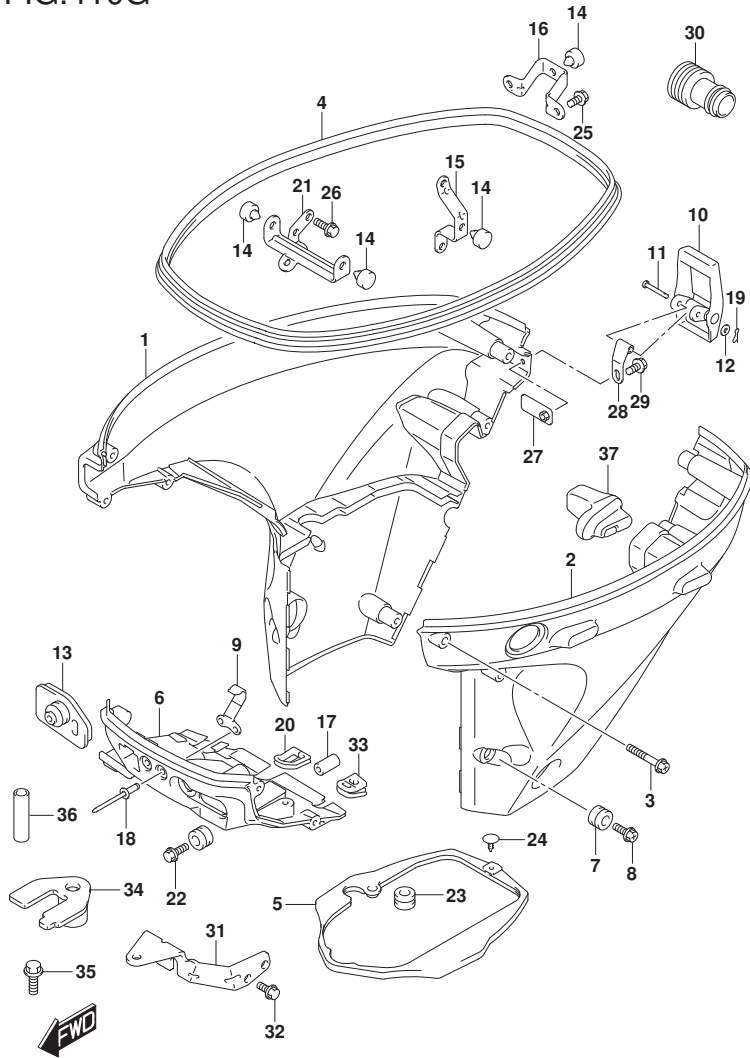


FIG.410G

FIG.410G (2-B-8) SIDE COVER (DF30AT P01)

REF NO.	PART NO.	DESCRIPTION	Q'TY	REMARKS
35	09116-06225	BOLT (6X15)	1	
36	09352-70103-600	HOSE (7X10.2X600)	2	L:600->14
37	61151-94L00	CUSHION, SIDE COVER	1	

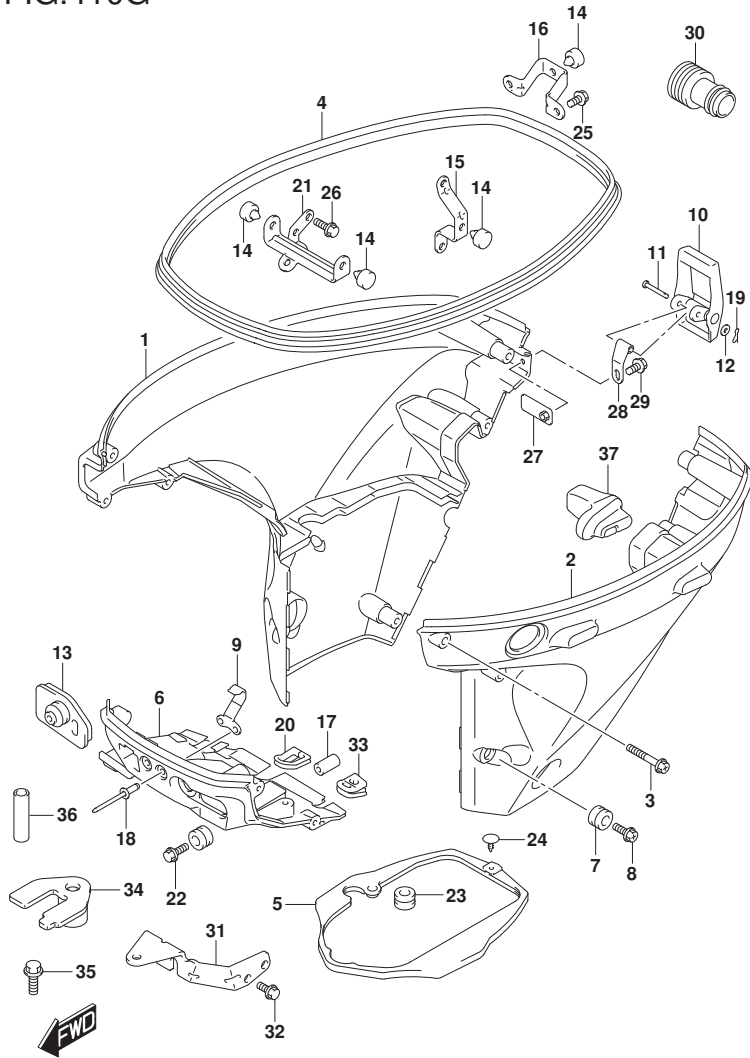


FIG.410H

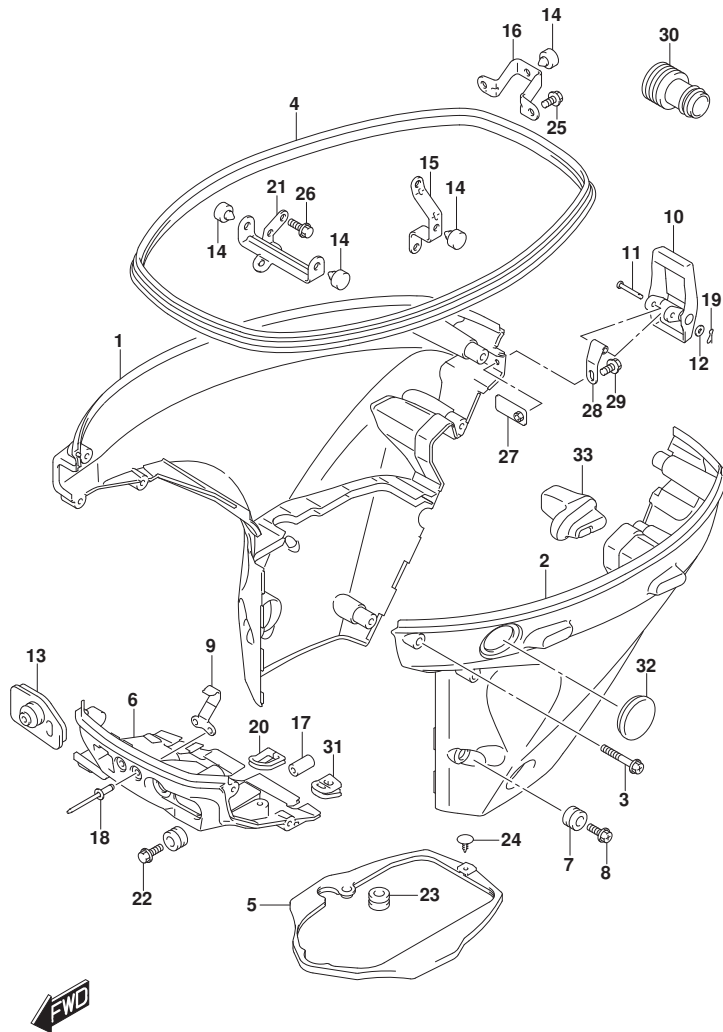


FIG.410H (2-B-9) SIDE COVER (DF30ATH P01)

REF NO.	PART NO.	DESCRIPTION	Q'TY	REMARKS
1	61810-94L00-YAY	COVER, SIDE STBD (BLACK)	1	
2	61820-94L20-YAY	COVER, SIDE PORT (BLACK)	1	
3	09136-06169	SCREW (6X35)	8	
4	61112-94L10	RUBBER, SIDE COVER	1	
5	61134-94L00	SEAL, SIDE COVER	1	
6	61830-94L00-YAY	PANEL, FRONT (BLACK)	1	
7	09320-11017	CUSHION	2	
8	09136-06168	SCREW (6X17)	2	
9	61412-89L00	HOOK, FRONT PANEL	1	
10	61610-90L00	FASTENER	1	
11	61616-93EL0	PIN, LEVER	1	
12	09161-04012	WASHER (4.2X11X1)	1	
13	61124-94L20	GROMMET, CABLE	1	
14	61151-91J11	CUSHION, LOWER COVER HOLDER	4	
15	61827-94L00	HOLDER, SIDE COVER	1	
16	61829-94L00	HOLDER, SIDE COVER REAR	1	
17	09251-09007	CUSHION	1	
18	09229-04005	RIVET	2	
19	09385-04003	CLIP	1	
20	23131-94L00	BOOT, CLUTCH ROD	1	
21	61841-94L00	HOLDER, SIDE COVER	1	
22	09136-06168	SCREW (6X17)	1	
23	09320-11017	CUSHION	1	
24	09409-05302-5PK	CLIP (BLACK)	1	
25	01550-0616C	BOLT	2	
26	01550-0820C	BOLT	1	
27	61620-94L00	PLATE, FASTENER HOLDER	1	
28	61642-90L00	HOLDER, FASTENER LEVER	1	
29	09116-06223	BOLT (6X12)	1	
30	17917-87LL0	CONNECTOR, FLUSH WATER	1	
31	36656-94L00	GROMMET, PT CABLE	1	
32	37853-94L00	PLUG, PT SWITCH HOLE	1	
33	61151-94L00	CUSHION, SIDE COVER	1	

FIG.410J

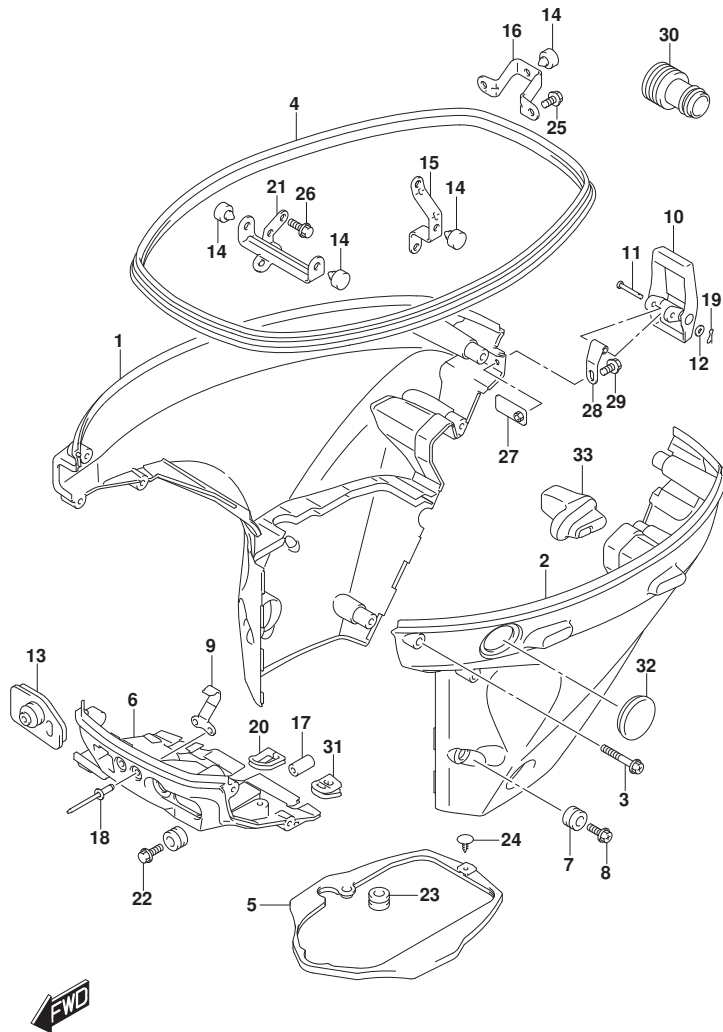


FIG.410J (2-B-10) SIDE COVER (DF30AQ P01)

REF NO.	PART NO.	DESCRIPTION	Q'TY	REMARKS
1	61810-94L00-YAY	COVER, SIDE STBD (BLACK)	1	
2	61820-94L00-YAY	COVER, SIDE PORT (BLACK)	1	
3	09136-06169	SCREW (6X35)	8	
4	61112-94L10	RUBBER, SIDE COVER	1	
5	61134-94L00	SEAL, SIDE COVER	1	
6	61830-94L00-YAY	PANEL, FRONT (BLACK)	1	
7	09320-11017	CUSHION	2	
8	09136-06168	SCREW (6X17)	2	
9	61412-89L00	HOOK, FRONT PANEL	1	
10	61610-90L00	FASTENER	1	
11	61616-93EL0	PIN, LEVER	1	
12	09161-04012	WASHER (4.2X11X1)	1	
13-1	61124-94L00	GROMMET, CABLE	1	W/MANUAL STARTER
13-2	61124-94L20	GROMMET, CABLE	1	W/ELECTRIC STARTER
14	61151-91J11	CUSHION, LOWER COVER HOLDER	4	
15	61827-94L00	HOLDER, SIDE COVER	1	
16	61829-94L00	HOLDER, SIDE COVER REAR	1	
17	09251-09007	CUSHION	1	
18	09229-04005	RIVET	2	
19	09385-04003	CLIP	1	
20	23131-94L00	BOOT, CLUTCH ROD	1	
21	61841-94L00	HOLDER, SIDE COVER	1	
22	09136-06168	SCREW (6X17)	1	
23	09320-11017	CUSHION	1	
24	09409-05302-5PK	CLIP (BLACK)	1	
25	01550-0616C	BOLT	2	
26	01550-0820C	BOLT	1	
27	61620-94L00	PLATE, FASTENER HOLDER	1	
28	61642-90L00	HOLDER, FASTENER LEVER	1	
29	09116-06223	BOLT (6X12)	1	
30	17917-87LL0	CONNECTOR, FLUSH WATER	1	
31	36656-94L00	GROMMET, PT CABLE	1	
32	37853-94L00	PLUG, PT SWITCH HOLE	1	
33	61151-94L00	CUSHION, SIDE COVER	1	

FIG.420A

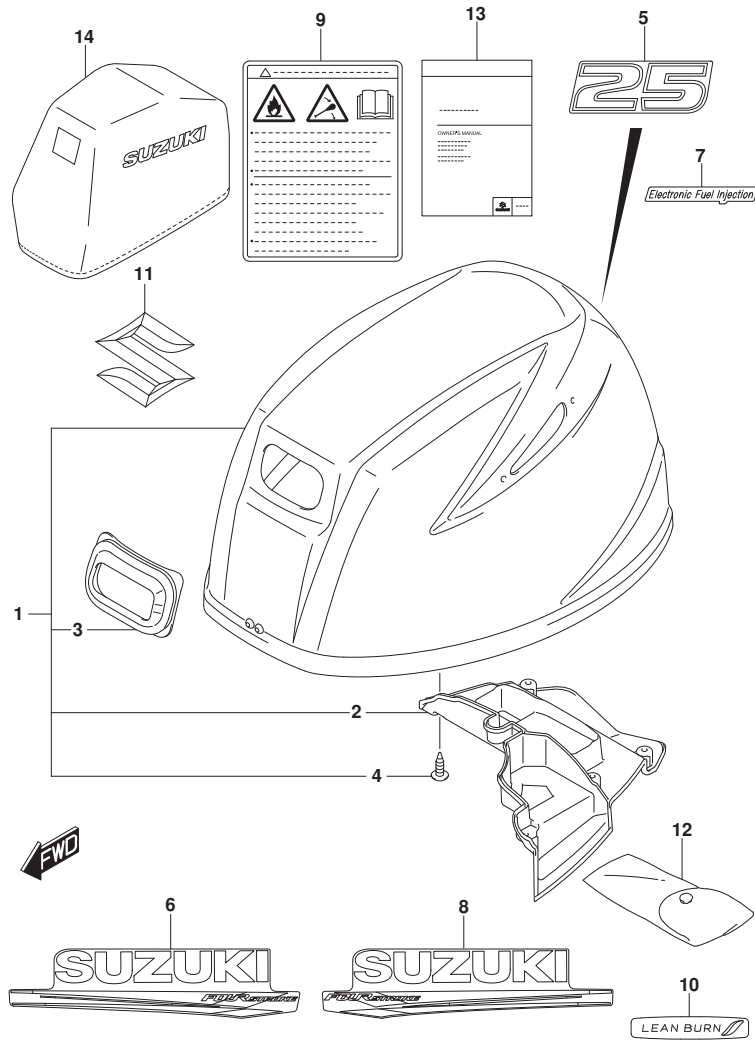


FIG.420A (2-B-11) ENGINE COVER (DF25A P01)

REF NO.	PART NO.	DESCRIPTION	Q'TY	REMARKS
1	61400-94L00-YAY	COVER ASSY, ENGINE (BLACK)	1	
2	61433-94L00	.COVER, AIR INTAKE INNER	1	
3	61622-90L00	.SEAL, RECOIL STARTER	1	
4	03542-05169	.SCREW	6	
5	61435-94L20	MARK, EMBLEM REAR (25)	1	
6	61443-94L10	STRIPE, ENGINE COVER STBD	1	
7	61446-89L10	DECAL, EFI	1	
8	61453-94L10	STRIPE, ENGINE COVER PORT	1	
9	61458-89L30	LABEL, ENGINE COVER	1	
10	61471-89L00	DECAL, LEAN BURN	1	
11	77811-58J10-0PG	EMBLEM, S (CHROME)	1	
12	59800-94L00	TOOL ASSY	1	
13	99011-94L20-055	MANUAL, OWNER'S	1	
14	68110-88L00	COVER, WEATHER	1	OPT

FIG.420B

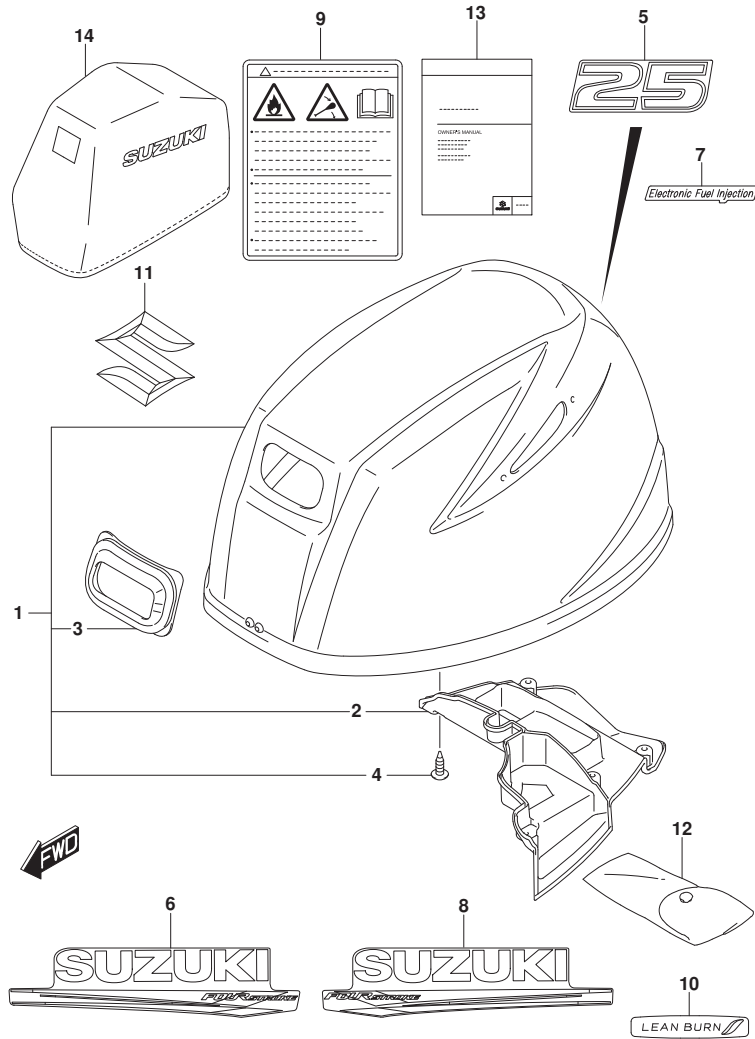


FIG.420B (2-B-12) ENGINE COVER (DF25AR P01)

REF NO.	PART NO.	DESCRIPTION	Q'TY	REMARKS
1	61400-94L00-YAY	COVER ASSY, ENGINE (BLACK)	1	
2	61433-94L00	.COVER, AIR INTAKE INNER	1	
3	61622-90L00	.SEAL, RECOIL STARTER	1	
4	03542-05169	.SCREW	6	
5	61435-94L20	MARK, EMBLEM REAR (25)	1	
6	61443-94L10	STRIPE, ENGINE COVER STBD	1	
7	61446-89L10	DECAL, EFI	1	
8	61453-94L10	STRIPE, ENGINE COVER PORT	1	
9	61458-89L30	LABEL, ENGINE COVER	1	
10	61471-89L00	DECAL, LEAN BURN	1	
11	77811-58J10-0PG	EMBLEM, S (CHROME)	1	
12	59800-94L00	TOOL ASSY	1	
13	99011-94L20-055	MANUAL, OWNER'S	1	
14	68110-88L00	COVER, WEATHER	1	OPT

FIG.420C

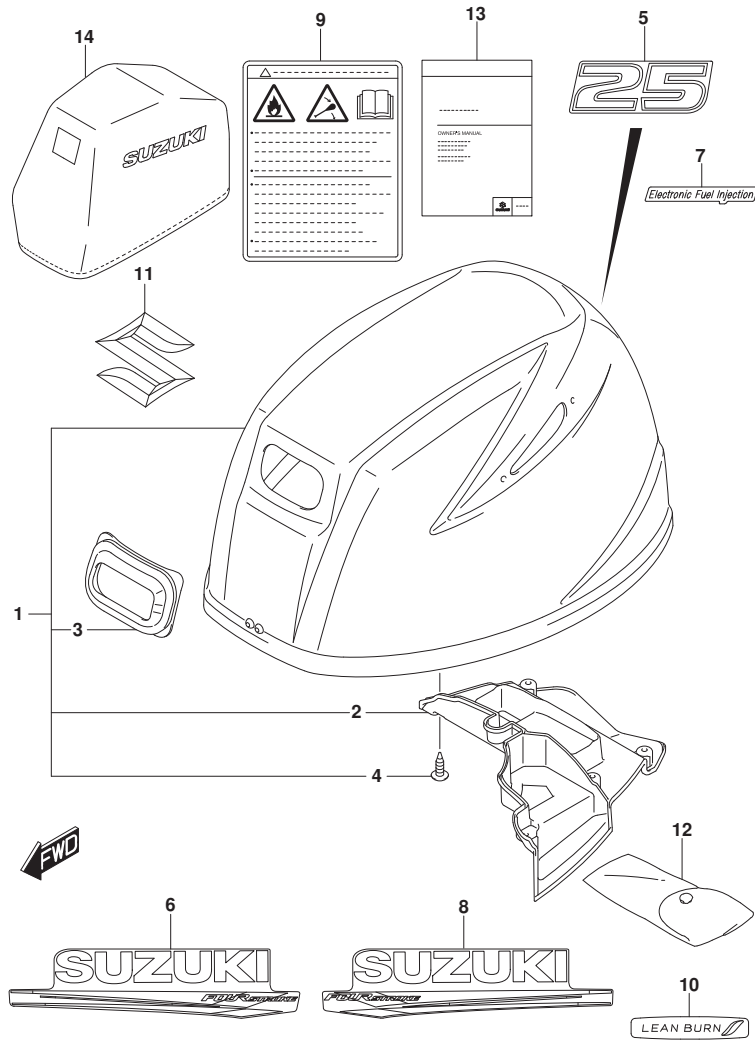


FIG.420C (2-B-13) ENGINE COVER (DF25AT P01)

REF NO.	PART NO.	DESCRIPTION	Q'TY	REMARKS
1	61400-94L00-YAY	COVER ASSY, ENGINE (BLACK)	1	
2	61433-94L00	.COVER, AIR INTAKE INNER	1	
3	61622-90L00	.SEAL, RECOIL STARTER	1	
4	03542-05169	.SCREW	6	
5	61435-94L20	MARK, EMBLEM REAR (25)	1	
6	61443-94L10	STRIPE, ENGINE COVER STBD	1	
7	61446-89L10	DECAL, EFI	1	
8	61453-94L10	STRIPE, ENGINE COVER PORT	1	
9	61458-89L30	LABEL, ENGINE COVER	1	
10	61471-89L00	DECAL, LEAN BURN	1	
11	77811-58J10-0PG	EMBLEM, S (CHROME)	1	
12	59800-94L00	TOOL ASSY	1	
13	99011-94L20-055	MANUAL, OWNER'S	1	
14	68110-88L00	COVER, WEATHER	1	OPT

FIG.420D

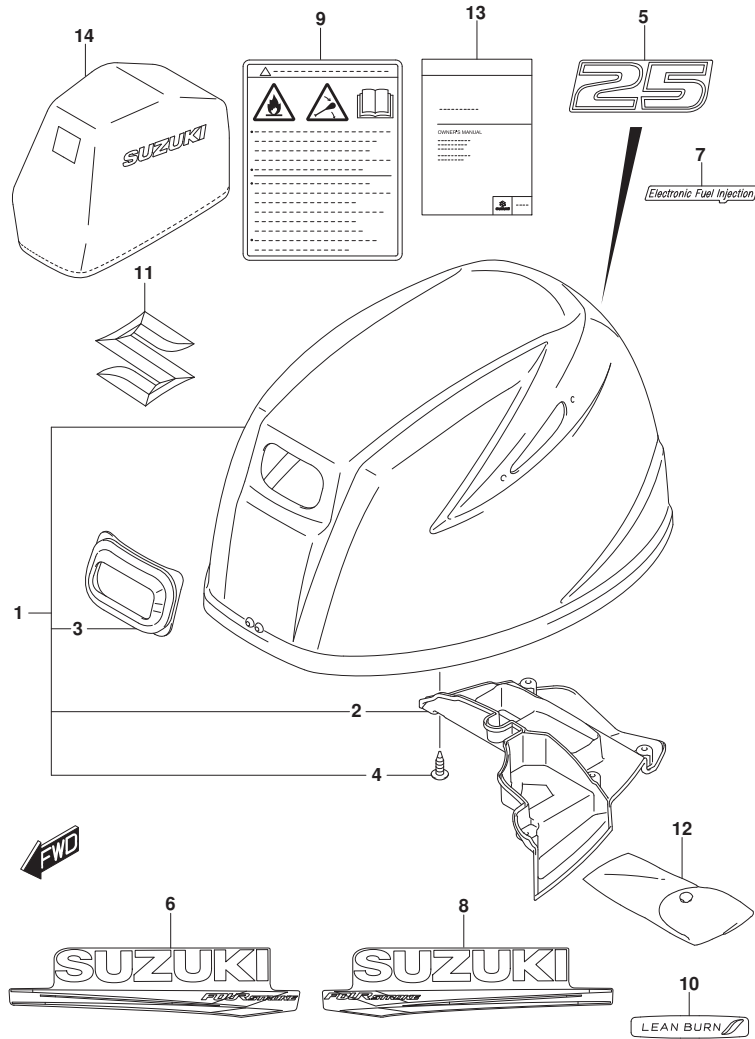


FIG.420D (2-B-14) ENGINE COVER (DF25ATH P01)

REF NO.	PART NO.	DESCRIPTION	Q'TY	REMARKS
1	61400-94L00-YAY	COVER ASSY, ENGINE (BLACK)	1	
2	61433-94L00	.COVER, AIR INTAKE INNER	1	
3	61622-90L00	.SEAL, RECOIL STARTER	1	
4	03542-05169	.SCREW	6	
5	61435-94L20	MARK, EMBLEM REAR (25)	1	
6	61443-94L10	STRIPE, ENGINE COVER STBD	1	
7	61446-89L10	DECAL, EFI	1	
8	61453-94L10	STRIPE, ENGINE COVER PORT	1	
9	61458-89L30	LABEL, ENGINE COVER	1	
10	61471-89L00	DECAL, LEAN BURN	1	
11	77811-58J10-0PG	EMBLEM, S (CHROME)	1	
12	59800-94L00	TOOL ASSY	1	
13	99011-94L20-055	MANUAL, OWNER'S	1	
14	68110-88L00	COVER, WEATHER	1	OPT

FIG.420E

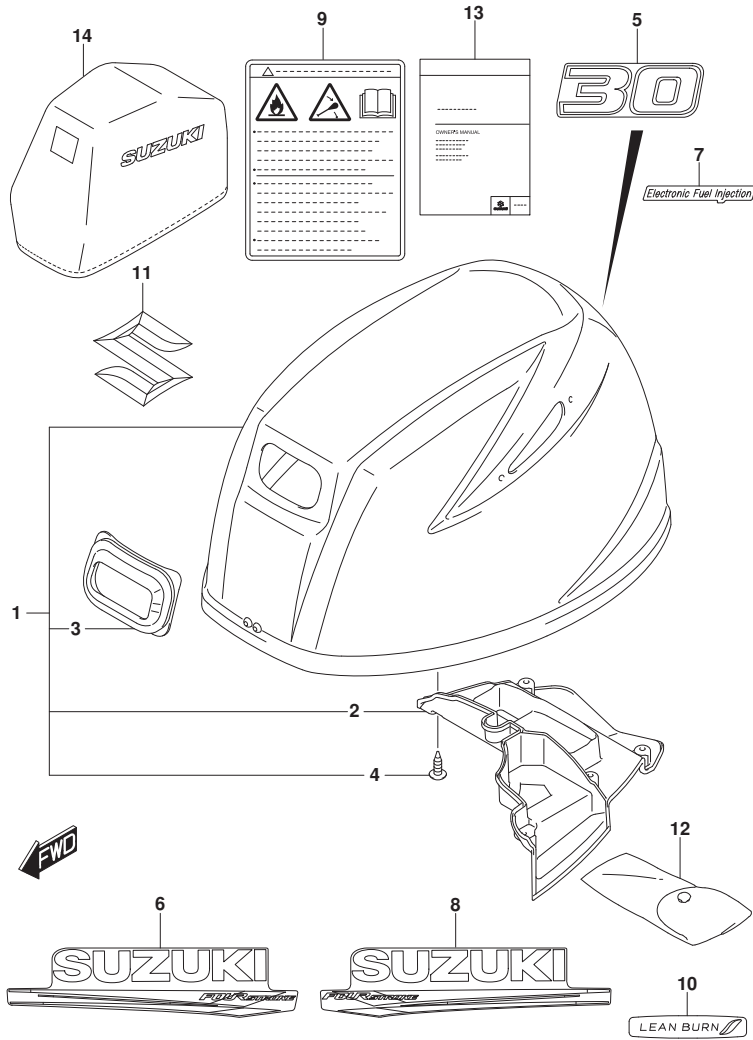


FIG.420E (2-B-15) ENGINE COVER (DF30A P40)

REF NO.	PART NO.	DESCRIPTION	QTY	REMARKS
1	61400-94L00-YAY	COVER ASSY, ENGINE (BLACK)	1	
2	61433-94L00	.COVER, AIR INTAKE INNER	1	
3	61622-90L00	.SEAL, RECOIL STARTER	1	
4	03542-05169	.SCREW	6	
5	61435-94L30	MARK, EMBLEM REAR (30)	1	
6	61443-94L10	STRIPE, ENGINE COVER STBD	1	
7	61446-89L10	DECAL, EFI	1	
8	61453-94L10	STRIPE, ENGINE COVER PORT	1	
9	61458-89L30	LABEL, ENGINE COVER	1	
10	61471-89L00	DECAL, LEAN BURN	1	
11	77811-58J10-0PG	EMBLEM, S (CHROME)	1	
12	59800-94L00	TOOL ASSY	1	
13	99011-94L20-055	MANUAL, OWNER'S	1	
14	68110-88L00	COVER, WEATHER	1	OPT

FIG.420F

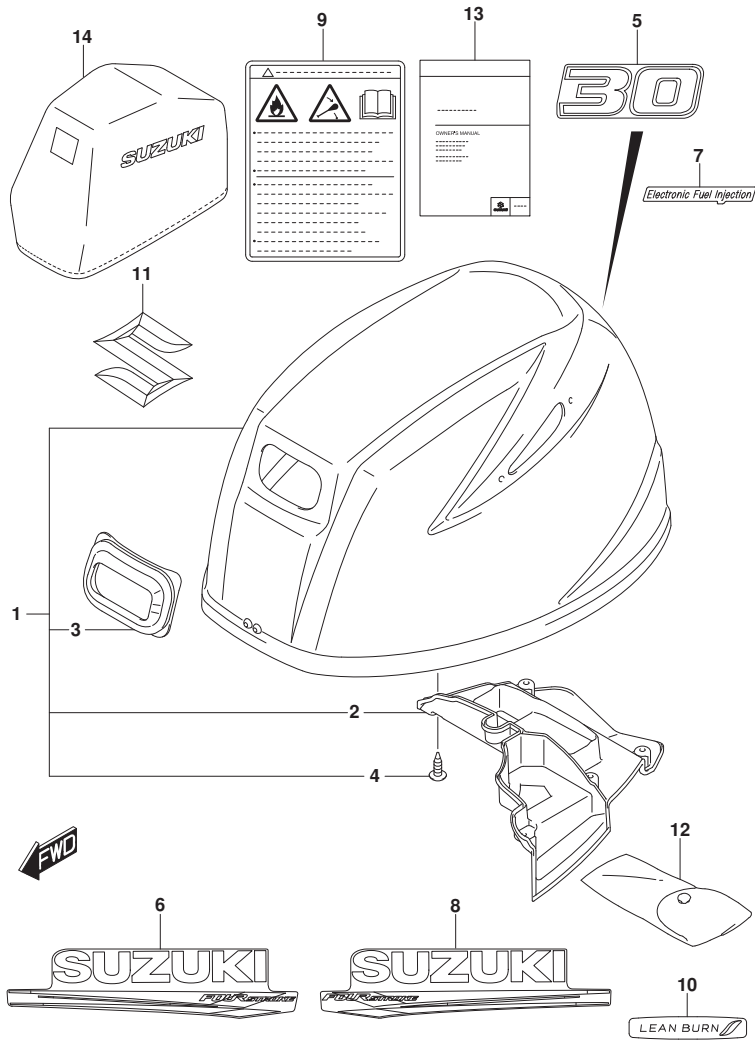


FIG.420F (2-C-2) ENGINE COVER (DF30AR P01)

REF NO.	PART NO.	DESCRIPTION	QTY	REMARKS
1	61400-94L00-YAY	COVER ASSY, ENGINE (BLACK)	1	
2	61433-94L00	.COVER, AIR INTAKE INNER	1	
3	61622-90L00	.SEAL, RECOIL STARTER	1	
4	03542-05169	.SCREW	6	
5	61435-94L30	MARK, EMBLEM REAR (30)	1	
6	61443-94L10	STRIPE, ENGINE COVER STBD	1	
7	61446-89L10	DECAL, EFI	1	
8	61453-94L10	STRIPE, ENGINE COVER PORT	1	
9	61458-89L30	LABEL, ENGINE COVER	1	
10	61471-89L00	DECAL, LEAN BURN	1	
11	77811-58J10-0PG	EMBLEM, S (CHROME)	1	
12	59800-94L00	TOOL ASSY	1	
13	99011-94L20-055	MANUAL, OWNER'S	1	
14	68110-88L00	COVER, WEATHER	1	OPT

FIG.420G

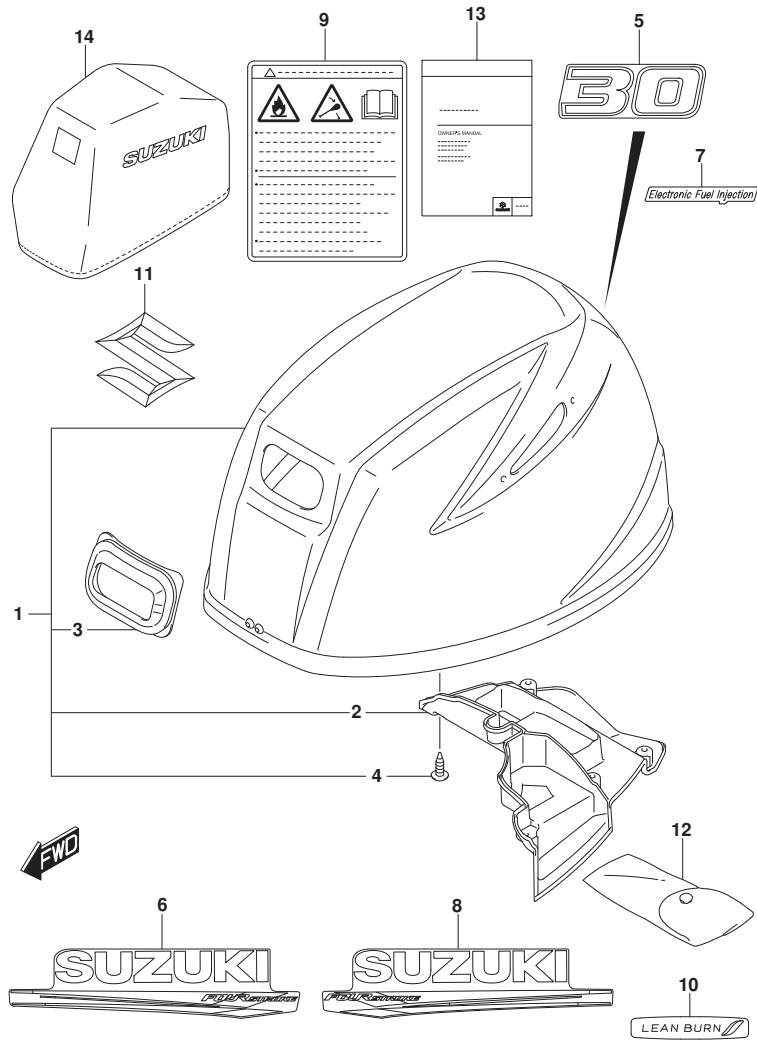


FIG.420G (2-C-3) ENGINE COVER (DF30AT P01)

REF NO.	PART NO.	DESCRIPTION	QTY	REMARKS
1	61400-94L00-YAY	COVER ASSY, ENGINE (BLACK)	1	
2	61433-94L00	.COVER, AIR INTAKE INNER	1	
3	61622-90L00	.SEAL, RECOIL STARTER	1	
4	03542-05169	.SCREW	6	
5	61435-94L30	MARK, EMBLEM REAR (30)	1	
6	61443-94L10	STRIPE, ENGINE COVER STBD	1	
7	61446-89L10	DECAL, EFI	1	
8	61453-94L10	STRIPE, ENGINE COVER PORT	1	
9	61458-89L30	LABEL, ENGINE COVER	1	
10	61471-89L00	DECAL, LEAN BURN	1	
11	77811-58J10-0PG	EMBLEM, S (CHROME)	1	
12	59800-94L00	TOOL ASSY	1	
13	99011-94L20-055	MANUAL, OWNER'S	1	
14	68110-88L00	COVER, WEATHER	1	OPT

FIG.420H

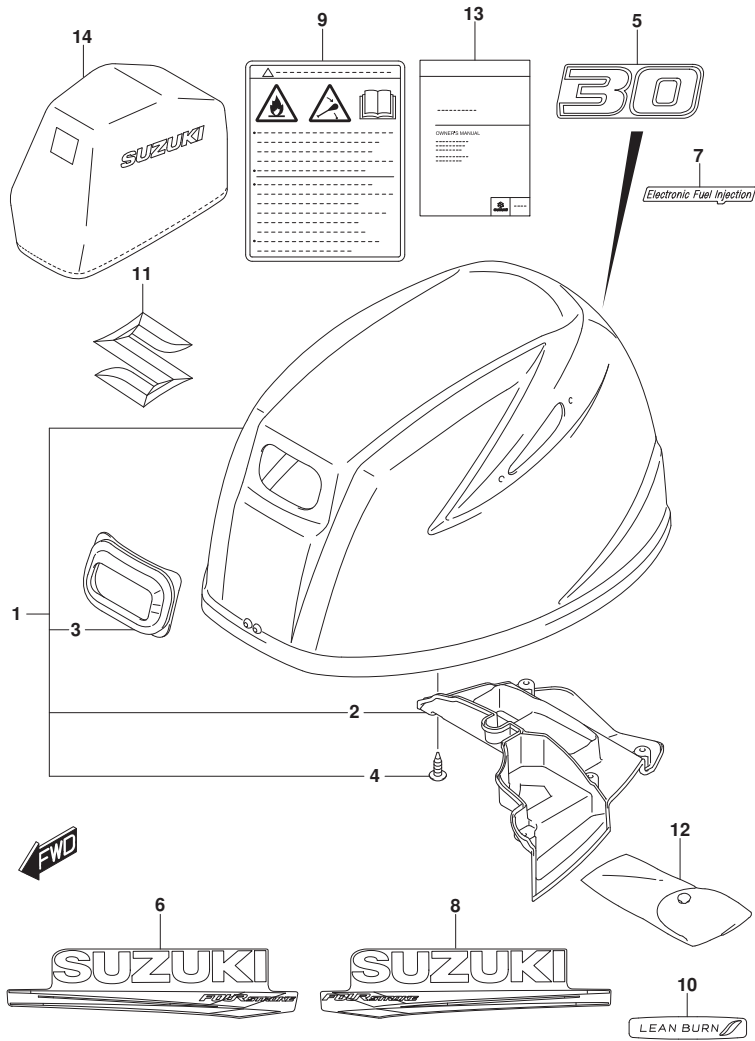


FIG.420H (2-C-4) ENGINE COVER (DF30ATH P01)

REF NO.	PART NO.	DESCRIPTION	Q'TY	REMARKS
1	61400-94L00-YAY	COVER ASSY, ENGINE (BLACK)	1	
2	61433-94L00	.COVER, AIR INTAKE INNER	1	
3	61622-90L00	.SEAL, RECOIL STARTER	1	
4	03542-05169	.SCREW	6	
5	61435-94L30	MARK, EMBLEM REAR (30)	1	
6	61443-94L10	STRIPE, ENGINE COVER STBD	1	
7	61446-89L10	DECAL, EFI	1	
8	61453-94L10	STRIPE, ENGINE COVER PORT	1	
9	61458-89L30	LABEL, ENGINE COVER	1	
10	61471-89L00	DECAL, LEAN BURN	1	
11	77811-58J10-0PG	EMBLEM, S (CHROME)	1	
12	59800-94L00	TOOL ASSY	1	
13	99011-94L20-055	MANUAL, OWNER'S	1	
14	68110-88L00	COVER, WEATHER	1	OPT

FIG.420J

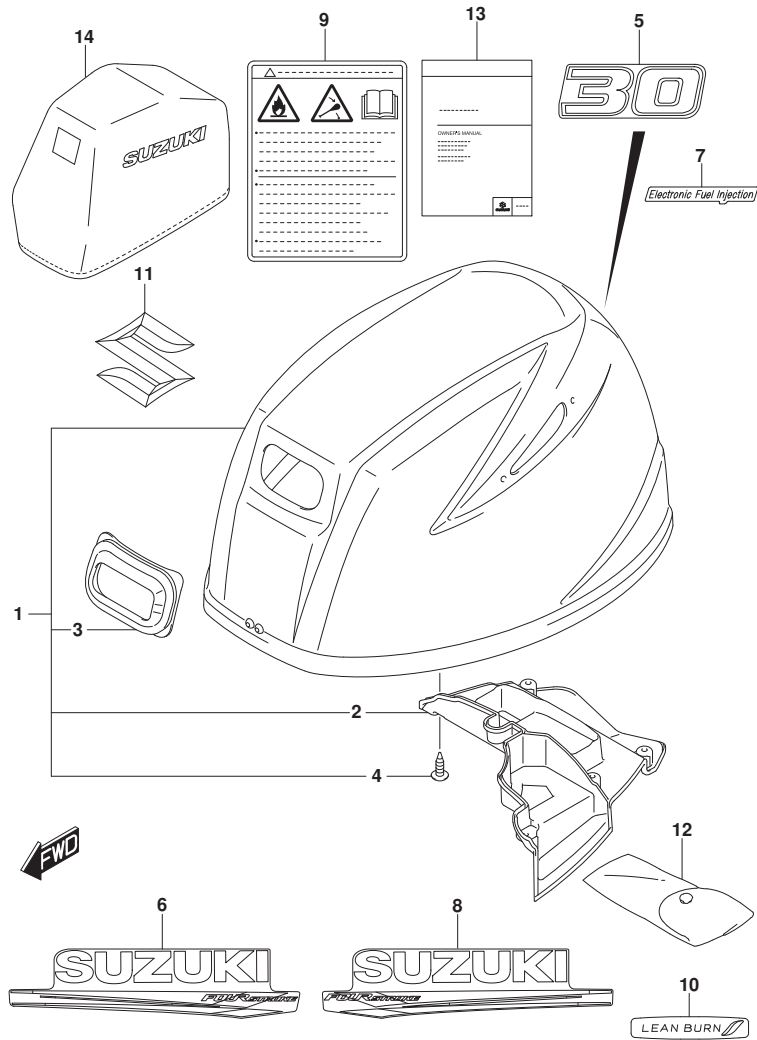


FIG.420J (2-C-5) ENGINE COVER (DF30AQ P01)

REF NO.	PART NO.	DESCRIPTION	Q'TY	REMARKS
1	61400-94L00-YAY	COVER ASSY, ENGINE (BLACK)	1	
2	61433-94L00	.COVER, AIR INTAKE INNER	1	
3	61622-90L00	.SEAL, RECOIL STARTER	1	
4	03542-05169	.SCREW	6	
5	61435-94L30	MARK, EMBLEM REAR (30)	1	
6	61443-94L10	STRIPE, ENGINE COVER STBD	1	
7	61446-89L10	DECAL, EFI	1	
8	61453-94L10	STRIPE, ENGINE COVER PORT	1	
9	61458-89L30	LABEL, ENGINE COVER	1	
10	61471-89L00	DECAL, LEAN BURN	1	
11	77811-58J10-0PG	EMBLEM, S (CHROME)	1	
12	59800-94L00	TOOL ASSY	1	
13	99011-94L20-055	MANUAL, OWNER'S	1	
14	68110-88L00	COVER, WEATHER	1	OPT

FIG.432A

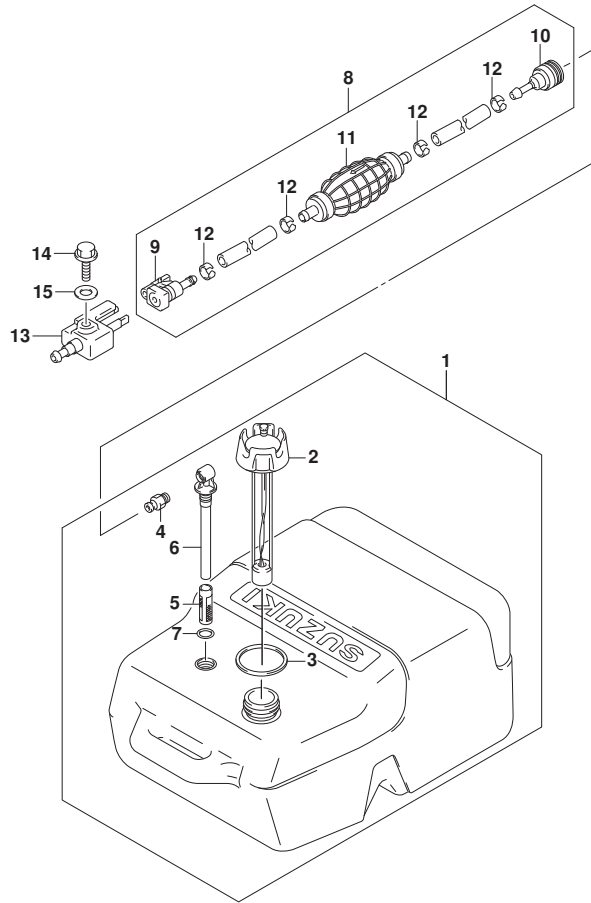


FIG.432A (2-C-6) FUEL TANK

REF NO.	PART NO.	DESCRIPTION	Q'TY	REMARKS
1	65000-95D01	TANK ASSY, FUEL (25L)	1	
2	65520-95D01	.CAP ASSY, FUEL TANK	1	
3	65561-95D00	.GASKET, TANK CAP	1	
4	65740-95D01	.PLUG, FUEL CONNECTOR	1	
5	65831-95D00	.FILTER, OUTLET	1	
6	65890-95D00	.OUTLET ASSY	1	
7	65892-95D00	.O RING, FUEL OUTLET	1	
8	65700-89L30	HOSE, FUEL (TANK TO CONN)	1	
9	65750-87J11	.SOCKET, FUEL HOSE	1	
10	65750-95500	.SOCKET, FUEL HOSE	1	
11	65770-89L00	.PUMP, SQUEEZE	1	
12	65781-98500	.CLIP, FUEL HOSE	4	
13	65720-986L0	PLUG, FUEL CONNECTOR	1	
14	09103-06237	BOLT (6X12.5)	1	
15	09160-06085	WASHER (6.5X15X1)	1	

FIG.442A

FIG.442A (2-C-7) DRAG LINK (DF25AR P01)

REF NO.	PART NO.	DESCRIPTION	QTY	REMARKS
1	41161-94400	SEAL, STEERING CABLE	1	
2	67701-94L00	LINK ASSY, DRAG	1	
3	67721-94L00	.SPACER	1	
4	67725-96J00	.BOLT, DRAG LINK	1	
5	67726-99E00	.NUT, LOCK	2	
6	67728-99E00	.WASHER	4	

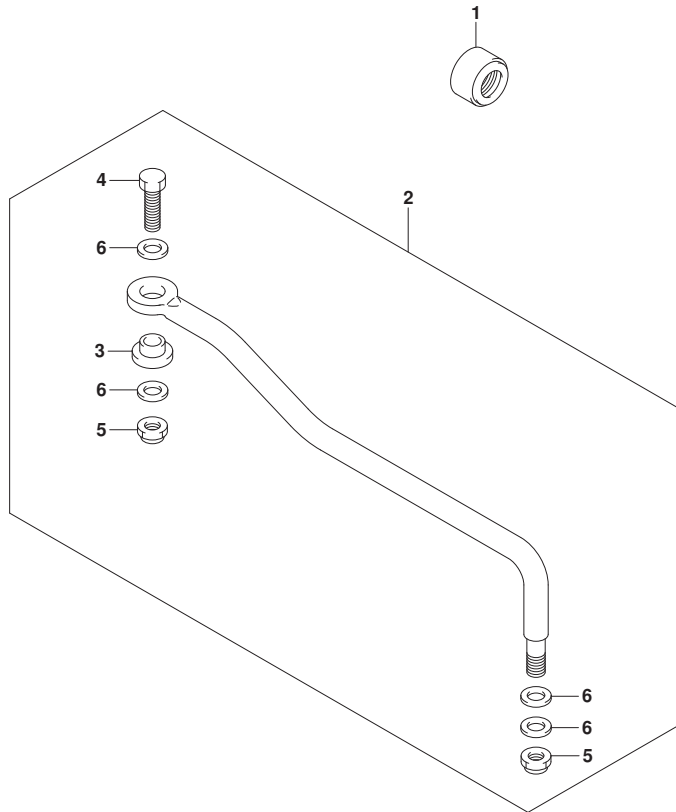


FIG.442B

FIG.442B (2-C-8) DRAG LINK (DF25AT P01)

REF NO.	PART NO.	DESCRIPTION	QTY	REMARKS
1	41161-94400	SEAL, STEERING CABLE	1	
2	67701-94L00	LINK ASSY, DRAG	1	
3	67721-94L00	.SPACER	1	
4	67725-96J00	.BOLT, DRAG LINK	1	
5	67726-99E00	.NUT, LOCK	2	
6	67728-99E00	.WASHER	4	

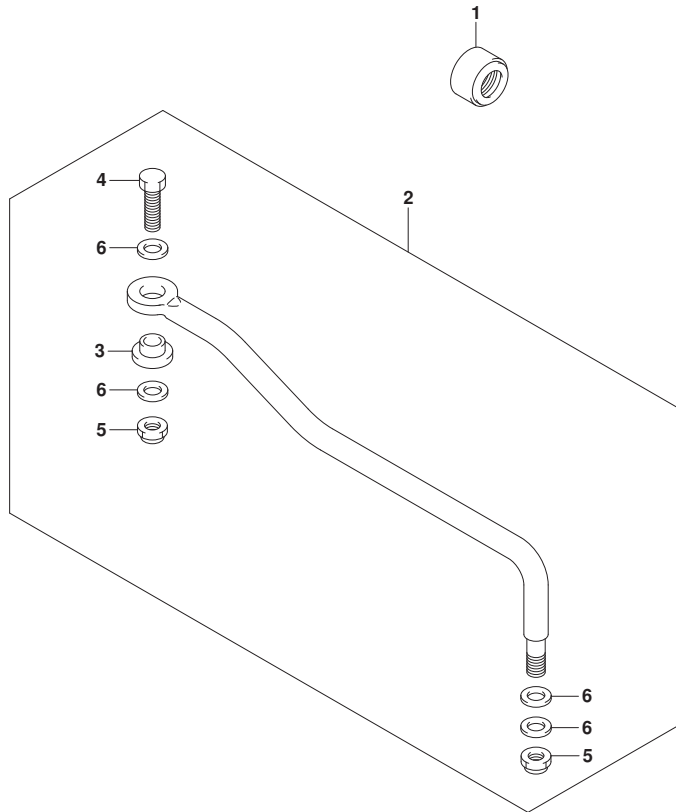


FIG.442C

FIG.442C (2-C-9) DRAG LINK (DF30AR P01)

REF NO.	PART NO.	DESCRIPTION	QTY	REMARKS
1	41161-94400	SEAL, STEERING CABLE	1	
2	67701-94L00	LINK ASSY, DRAG	1	
3	67721-94L00	.SPACER	1	
4	67725-96J00	.BOLT, DRAG LINK	1	
5	67726-99E00	.NUT, LOCK	2	
6	67728-99E00	.WASHER	4	

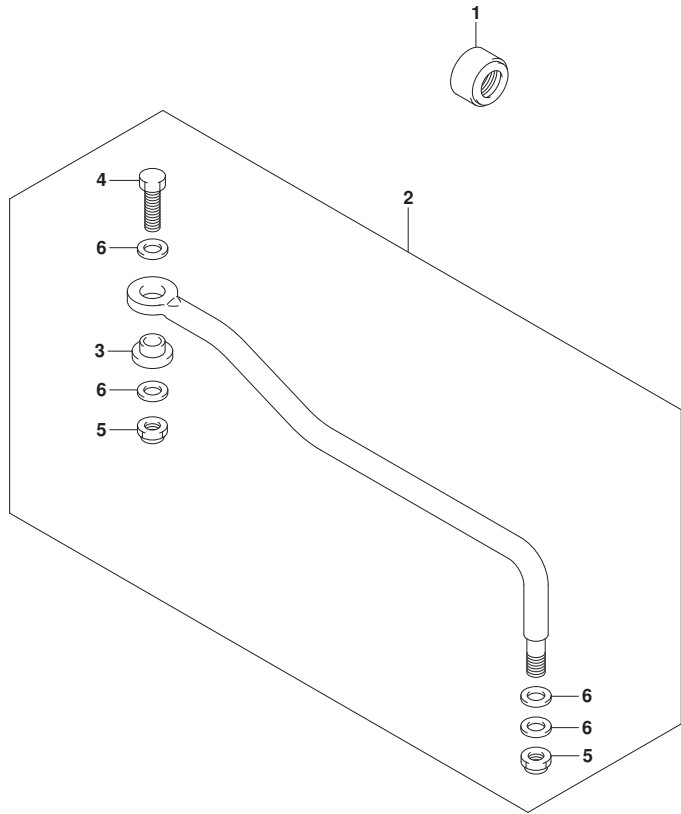


FIG.442D

FIG.442D (2-C-10) DRAG LINK (DF30AT P01)

REF NO.	PART NO.	DESCRIPTION	QTY	REMARKS
1	41161-94400	SEAL, STEERING CABLE	1	
2	67701-94L00	LINK ASSY, DRAG	1	
3	67721-94L00	.SPACER	1	
4	67725-96J00	.BOLT, DRAG LINK	1	
5	67726-99E00	.NUT, LOCK	2	
6	67728-99E00	.WASHER	4	

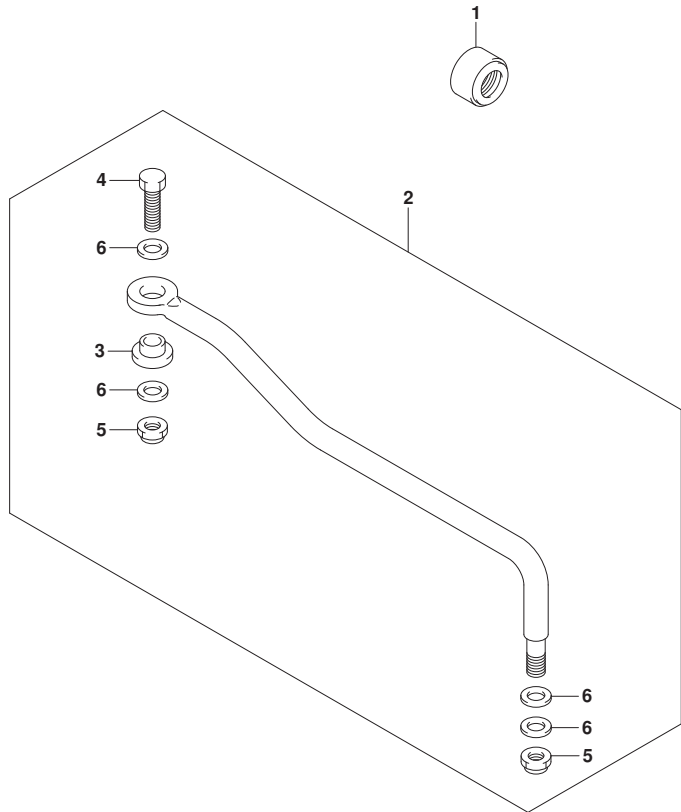


FIG.444A

FIG.444A (2-C-11) TILLER HANDLE (DF25A P01)

REF NO.	PART NO.	DESCRIPTION	Q'TY	REMARKS
1	63111-89L01-YAY	HANDLE, TILLER (BLACK)	1	
2	63115-99J10	BUSH, TILLER HANDLE NO.1	1	
3	63115-99J00	BUSH, TILLER HANDLE NO.2	1	
4	63116-99J00	RUBBER, TILLER HANDLE FRICTION	1	
5	63121-99J00-YAY	COVER, TILLER HANDLE (BLACK)	1	
6	63210-94L01	GRIP, HANDLE	1	
7	63220-94L00	ROD, HANDLE	1	
8	63225-98601	PLATE, HANDLE ROD ADJUSTER	1	
9	63225-93200	BUSH, HANDLE ROD	1	
10	63240-94J10	ADJUSTER SET, HANDLE ROD	1	
11	63241-986B0	.SUPPORT, HANDLE ROD	1	
12	63244-94J00	.KNOB, THROTTLE ADJ	1	
13	09148-06008	NUT	1	
14	63610-94L00	CABLE ASSY, THROTTLE NO.1	1	
15	63650-94L00	CABLE ASSY, THROTTLE NO.2	1	
16	09116-08151	BOLT (8X30)	2	
17	09126-06015	SCREW (6X23)	1	
18	09136-05041	SCREW (5X20)	2	
19	09163-06001	LOCK WASHER	1	
20	09440-12027	SPRING	1	
21	33833-91J00	TUBE, SWITCH LEAD (L:250)	1	
22	63114-99J01	PLATE, WARNING INDICATOR	1	
23	63122-99J00	PROTECTOR, HANDLE COVER	1	
24	63131-94L00-YAY	BRACKET, TILLER HANDLE (BLACK)	1	
25	63133-89L00	GROMMET, TILLER HANDLE BRACKET	1	
26	63134-94L00	COVER, TILLER HANDLE BRACKET	1	
27	09136-05041	SCREW (5X20)	2	
28	09125-05042	SCREW (5X10)	1	
29	09116-08155	BOLT (8X45)	2	
30	09250-12006	CAP (OD:20)	1	
31	21131-94J00	MARK, CLUTCH SHIFT	1	
32	63215-93110	MARK, HANDLE GRIP	1	
33	37830-94J11	SWITCH ASSY, EMERGENCY & STOP	1	
34	37823-97J00	.PLATE, LOCK	1	
35	37826-97J00	.NUT	1	
36	37835-95D00	LABEL, STOP	1	

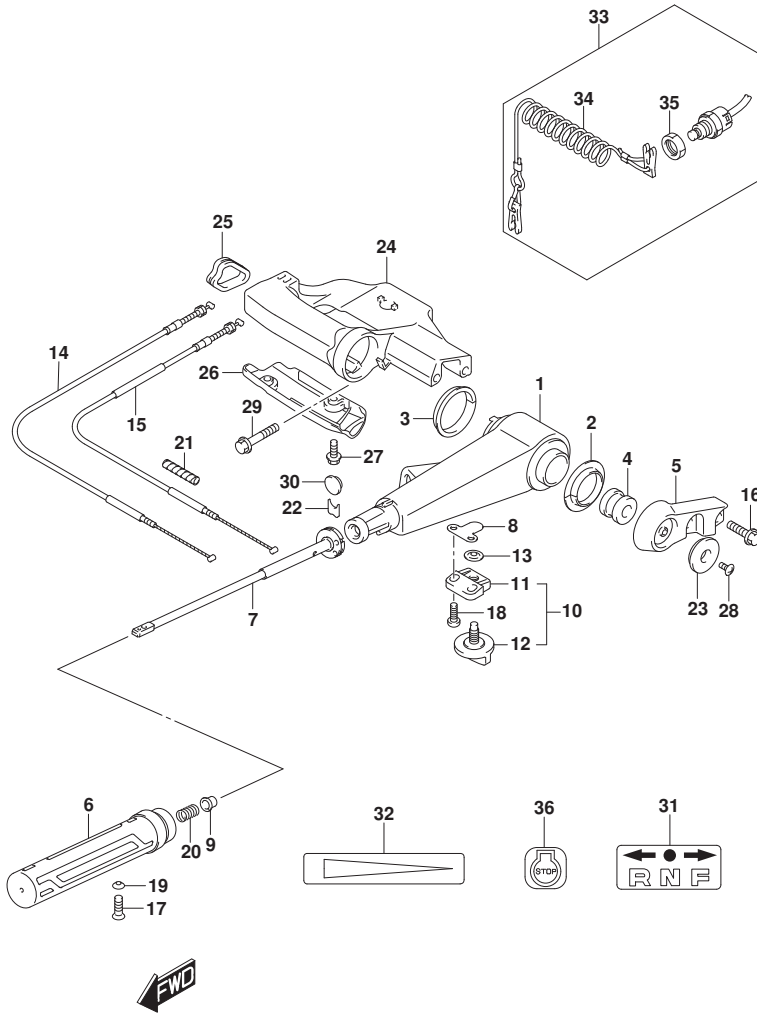


FIG.444B

FIG.444B (2-C-12) TILLER HANDLE (DF25ATH P01)

REF NO.	PART NO.	DESCRIPTION	Q'TY	REMARKS
1	63111-89L01-YAY	HANDLE, TILLER (BLACK)	1	
2	63115-99J10	BUSH, TILLER HANDLE NO.1	1	
3	63115-99J00	BUSH, TILLER HANDLE NO.2	1	
4	63116-99J00	RUBBER, TILLER HANDLE FRICTION	1	
5	63121-99J00-YAY	COVER, TILLER HANDLE (BLACK)	1	
6	63210-94L01	GRIP, HANDLE	1	
7	63220-94L00	ROD, HANDLE	1	
8	63225-98601	PLATE, HANDLE ROD ADJUSTER	1	
9	63225-93200	BUSH, HANDLE ROD	1	
10	63240-94J10	ADJUSTER SET, HANDLE ROD	1	
11	63241-986B0	.SUPPORT, HANDLE ROD	1	
12	63244-94J00	.KNOB, THROTTLE ADJ	1	
13	09148-06008	NUT	1	
14	63610-94L00	CABLE ASSY, THROTTLE NO.1	1	
15	63650-94L00	CABLE ASSY, THROTTLE NO.2	1	
16	09116-08151	BOLT (8X30)	2	
17	09126-06015	SCREW (6X23)	1	
18	09136-05041	SCREW (5X20)	2	
19	09163-06001	LOCK WASHER	1	
20	09440-12027	SPRING	1	
21	33833-91J00	TUBE, SWITCH LEAD (L:250)	1	
22	63114-99J01	PLATE, WARNING INDICATOR	1	
23	63122-99J00	PROTECTOR, HANDLE COVER	1	
24	63131-94L00-YAY	BRACKET, TILLER HANDLE (BLACK)	1	
25	63133-89L00	GROMMET, TILLER HANDLE BRACKET	1	
26	63134-94L00	COVER, TILLER HANDLE BRACKET	1	
27	09136-05041	SCREW (5X20)	2	
28	09125-05042	SCREW (5X10)	1	
29	09116-08155	BOLT (8X45)	2	
30	09250-12006	CAP (OD:20)	1	
31	21131-94J00	MARK, CLUTCH SHIFT	1	
32	63215-93110	MARK, HANDLE GRIP	1	
33	37830-94J11	SWITCH ASSY, EMERGENCY & STOP	1	
34	37823-97J00	.PLATE, LOCK	1	
35	37826-97J00	.NUT	1	
36	37835-95D00	LABEL, STOP	1	

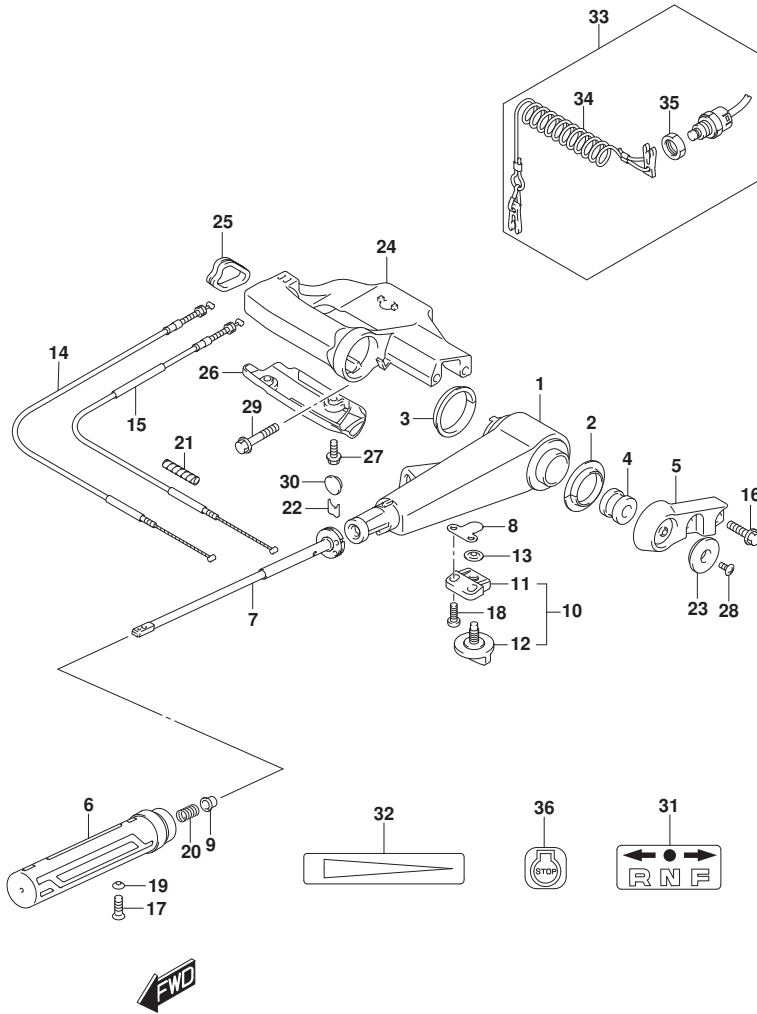


FIG.444C

FIG.444C (2-C-13) TILLER HANDLE (DF30A P40)

REF NO.	PART NO.	DESCRIPTION	Q'TY	REMARKS
1	63111-89L01-YAY	HANDLE, TILLER (BLACK)	1	
2	63115-99J10	BUSH, TILLER HANDLE NO.1	1	
3	63115-99J00	BUSH, TILLER HANDLE NO.2	1	
4	63116-99J00	RUBBER, TILLER HANDLE FRICTION	1	
5	63121-99J00-YAY	COVER, TILLER HANDLE (BLACK)	1	
6	63210-94L01	GRIP, HANDLE	1	
7	63220-94L00	ROD, HANDLE	1	
8	63225-98601	PLATE, HANDLE ROD ADJUSTER	1	
9	63225-93200	BUSH, HANDLE ROD	1	
10	63240-94J10	ADJUSTER SET, HANDLE ROD	1	
11	63241-986B0	.SUPPORT, HANDLE ROD	1	
12	63244-94J00	.KNOB, THROTTLE ADJ	1	
13	09148-06008	NUT	1	
14	63610-94L00	CABLE ASSY, THROTTLE NO.1	1	
15	63650-94L00	CABLE ASSY, THROTTLE NO.2	1	
16	09116-08151	BOLT (8X30)	2	
17	09126-06015	SCREW (6X23)	1	
18	09136-05041	SCREW (5X20)	2	
19	09163-06001	LOCK WASHER	1	
20	09440-12027	SPRING	1	
21	33833-91J00	TUBE, SWITCH LEAD (L:250)	1	
22	63114-99J01	PLATE, WARNING INDICATOR	1	
23	63122-99J00	PROTECTOR, HANDLE COVER	1	
24	63131-94L00-YAY	BRACKET, TILLER HANDLE (BLACK)	1	
25	63133-89L00	GROMMET, TILLER HANDLE BRACKET	1	
26	63134-94L00	COVER, TILLER HANDLE BRACKET	1	
27	09136-05041	SCREW (5X20)	2	
28	09125-05042	SCREW (5X10)	1	
29	09116-08155	BOLT (8X45)	2	
30	09250-12006	CAP (OD:20)	1	
31	21131-94J00	MARK, CLUTCH SHIFT	1	
32	63215-93110	MARK, HANDLE GRIP	1	
33	37830-94J11	SWITCH ASSY, EMERGENCY & STOP	1	
34	37823-97J00	.PLATE, LOCK	1	
35	37826-97J00	.NUT	1	
36	37835-95D00	LABEL, STOP	1	

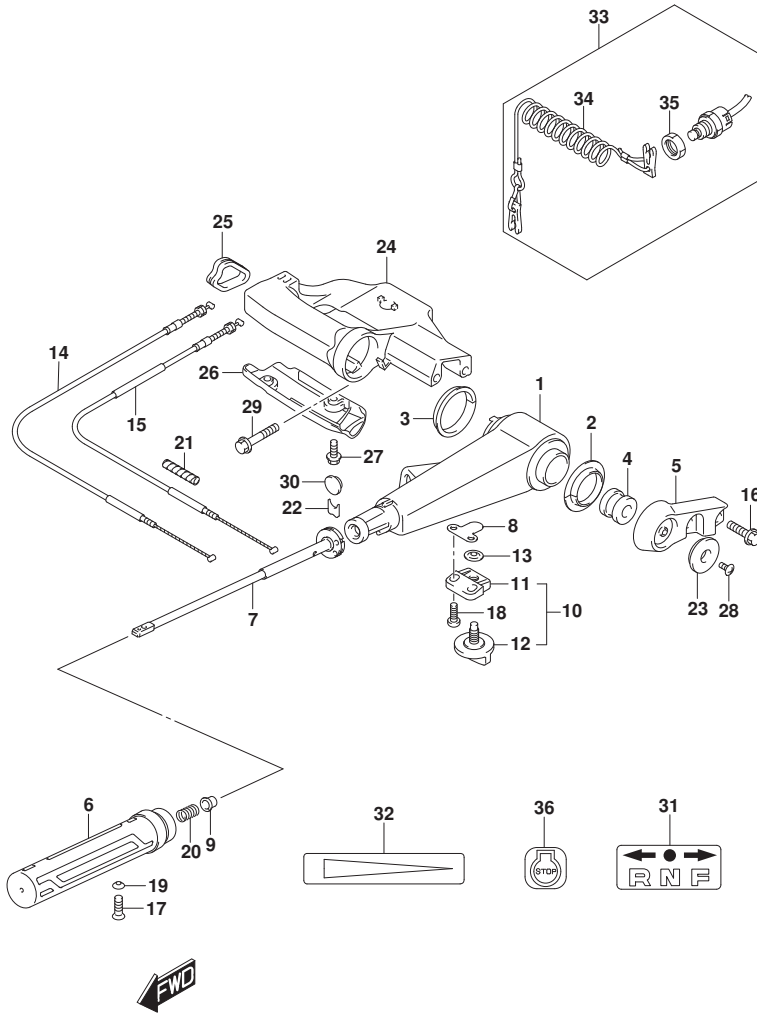


FIG.444D

FIG.444D (2-C-14) TILLER HANDLE (DF30ATH P01)

REF NO.	PART NO.	DESCRIPTION	Q'TY	REMARKS
1	63111-89L01-YAY	HANDLE, TILLER (BLACK)	1	
2	63115-99J10	BUSH, TILLER HANDLE NO.1	1	
3	63115-99J00	BUSH, TILLER HANDLE NO.2	1	
4	63116-99J00	RUBBER, TILLER HANDLE FRICTION	1	
5	63121-99J00-YAY	COVER, TILLER HANDLE (BLACK)	1	
6	63210-94L01	GRIP, HANDLE	1	
7	63220-94L00	ROD, HANDLE	1	
8	63225-98601	PLATE, HANDLE ROD ADJUSTER	1	
9	63225-93200	BUSH, HANDLE ROD	1	
10	63240-94J10	ADJUSTER SET, HANDLE ROD	1	
11	63241-986B0	.SUPPORT, HANDLE ROD	1	
12	63244-94J00	.KNOB, THROTTLE ADJ	1	
13	09148-06008	NUT	1	
14	63610-94L00	CABLE ASSY, THROTTLE NO.1	1	
15	63650-94L00	CABLE ASSY, THROTTLE NO.2	1	
16	09116-08151	BOLT (8X30)	2	
17	09126-06015	SCREW (6X23)	1	
18	09136-05041	SCREW (5X20)	2	
19	09163-06001	LOCK WASHER	1	
20	09440-12027	SPRING	1	
21	33833-91J00	TUBE, SWITCH LEAD (L:250)	1	
22	63114-99J01	PLATE, WARNING INDICATOR	1	
23	63122-99J00	PROTECTOR, HANDLE COVER	1	
24	63131-94L00-YAY	BRACKET, TILLER HANDLE (BLACK)	1	
25	63133-89L00	GROMMET, TILLER HANDLE BRACKET	1	
26	63134-94L00	COVER, TILLER HANDLE BRACKET	1	
27	09136-05041	SCREW (5X20)	2	
28	09125-05042	SCREW (5X10)	1	
29	09116-08155	BOLT (8X45)	2	
30	09250-12006	CAP (OD:20)	1	
31	21131-94J00	MARK, CLUTCH SHIFT	1	
32	63215-93110	MARK, HANDLE GRIP	1	
33	37830-94J11	SWITCH ASSY, EMERGENCY & STOP	1	
34	37823-97J00	.PLATE, LOCK	1	
35	37826-97J00	.NUT	1	
36	37835-95D00	LABEL, STOP	1	

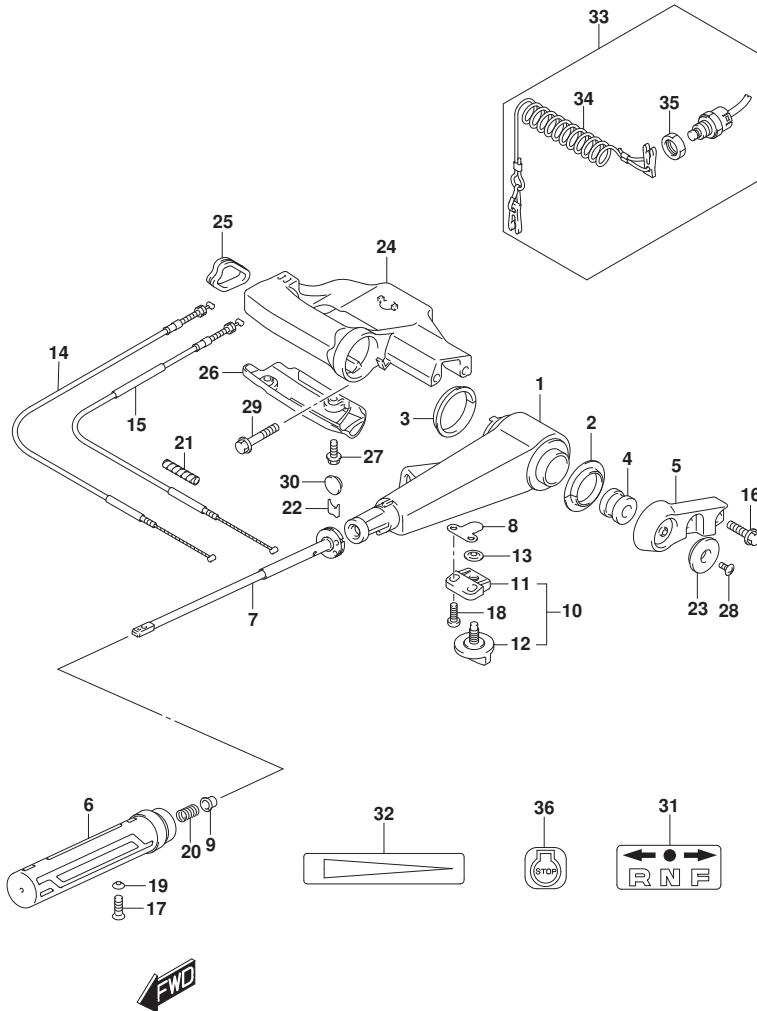


FIG.444E

FIG.444E (2-C-15) TILLER HANDLE (DF30AQ P01)

REF NO.	PART NO.	DESCRIPTION	Q'TY	REMARKS
1	63111-89L01-YAY	HANDLE, TILLER (BLACK)	1	
2	63115-99J10	BUSH, TILLER HANDLE NO.1	1	
3	63115-99J00	BUSH, TILLER HANDLE NO.2	1	
4	63116-99J00	RUBBER, TILLER HANDLE FRICTION	1	
5	63121-99J00-YAY	COVER, TILLER HANDLE (BLACK)	1	
6	63210-94L01	GRIP, HANDLE	1	
7	63220-94L00	ROD, HANDLE	1	
8	63225-98601	PLATE, HANDLE ROD ADJUSTER	1	
9	63225-93200	BUSH, HANDLE ROD	1	
10	63240-94J10	ADJUSTER SET, HANDLE ROD	1	
11	63241-986B0	.SUPPORT, HANDLE ROD	1	
12	63244-94J00	.KNOB, THROTTLE ADJ	1	
13	09148-06008	NUT	1	
14	63610-94L00	CABLE ASSY, THROTTLE NO.1	1	
15	63650-94L00	CABLE ASSY, THROTTLE NO.2	1	
16	09116-08151	BOLT (8X30)	2	
17	09126-06015	SCREW (6X23)	1	
18	09136-05041	SCREW (5X20)	2	
19	09163-06001	LOCK WASHER	1	
20	09440-12027	SPRING	1	
21	33833-91J00	TUBE, SWITCH LEAD (L:250)	1	
22	63114-99J01	PLATE, WARNING INDICATOR	1	
23	63122-99J00	PROTECTOR, HANDLE COVER	1	
24	63131-94L00-YAY	BRACKET, TILLER HANDLE (BLACK)	1	
25	63133-89L00	GROMMET, TILLER HANDLE BRACKET	1	
26	63134-94L00	COVER, TILLER HANDLE BRACKET	1	
27	09136-05041	SCREW (5X20)	2	
28	09125-05042	SCREW (5X10)	1	
29	09116-08155	BOLT (8X45)	2	
30	09250-12006	CAP (OD:20)	1	
31	21131-94J00	MARK, CLUTCH SHIFT	1	
32	63215-93110	MARK, HANDLE GRIP	1	
33	37830-94J11	SWITCH ASSY, EMERGENCY & STOP	1	
34	37823-97J00	.PLATE, LOCK	1	
35	37826-97J00	.NUT	1	
36	37835-95D00	LABEL, STOP	1	

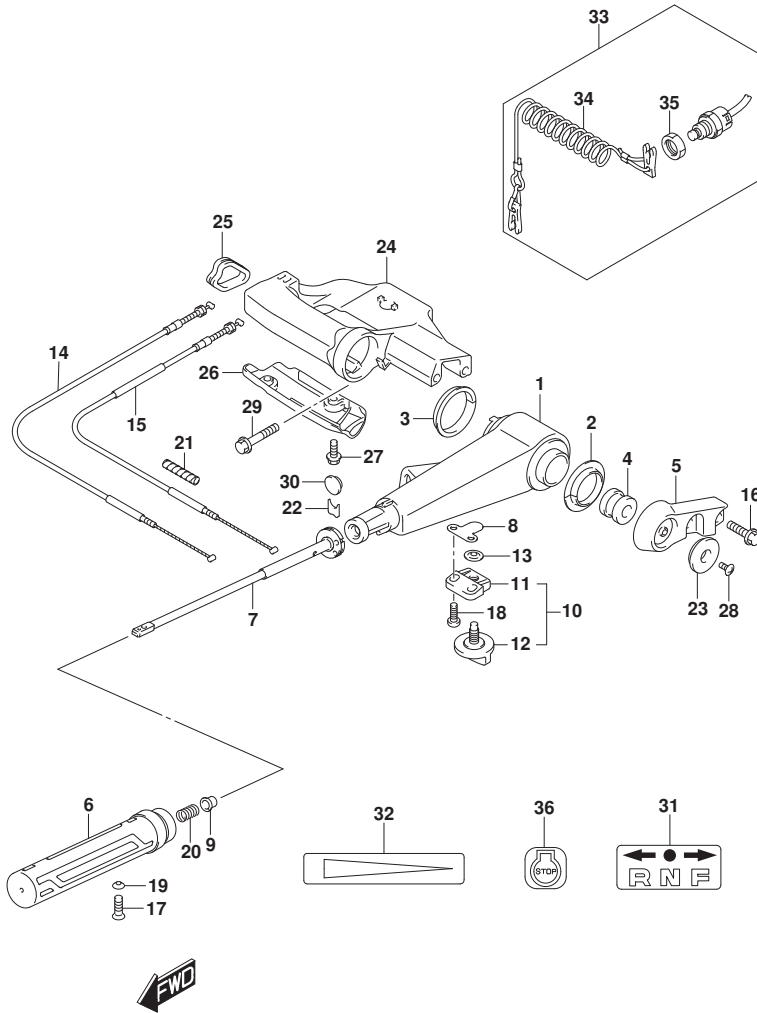


FIG.450A

FIG.450A (2-D-2) REMOTE CONTROL (DF25AR P01)

REF NO.	PART NO.	DESCRIPTION	Q'TY	REMARKS
1	67200-94J20	REMOTE CONTROL ASSY	1	
2	36628-92E00	..GROMMET, WIRING HARNESS	1	
3	37110-94J02	..SWITCH ASSY, IGNITION	1	
4-1	37141-99E00	..KEY (931)	2	
4-2	37141-99E10	..KEY (932)	2	
4-3	37141-99E20	..KEY (933)	2	
4-4	37141-99E30	..KEY (934)	2	
4-5	37141-99E40	..KEY (935)	2	
4-6	37141-99E50	..KEY (936)	2	
4-7	37141-99E60	..KEY (937)	2	
4-8	37141-99E70	..KEY (938)	2	
4-9	37141-99E80	..KEY (939)	2	
4-10	37141-99E90	..KEY (940)	2	
4-11	37141-99EA0	..KEY (941)	2	
4-12	37141-99EB0	..KEY (942)	2	
5	37143-99E00	..CAP, KEY	2	
6	37149-93J00	..CAP, CYLINDER BODY	1	
7	37820-93J04	..SWITCH ASSY, EMERGENCY	1	
8	37823-92E01	..PLATE ASSY, EMERGENCY SWITCH LOCK	1	
9	37826-92J00	..NUT	1	
10	37859-90J00	..SPACER	1	
11	37864-94J10	..CAP, PTT SW	1	
12	38500-93J00	..BUZZER ASSY, WARNING	1	
13	67212-95600	..WASHER	1	
14	67214-92E00	..SCREW (5X20)	1	
15	67220-95630	..PLATE ASSY	1	
16	67223-99E10	..KNOB, BRAKE ADJUST	1	
17	67229-95600	..ROLLER	1	
18	67232-95600	..BUSH	1	
19	67238-87D00	..GEAR, DRIVE	1	
20	67241-99E10	..LEVER, FREE THROTTLE	1	
21	67243-95600	..BUSH	1	
22	67244-95600	..WAVE WASHER	1	

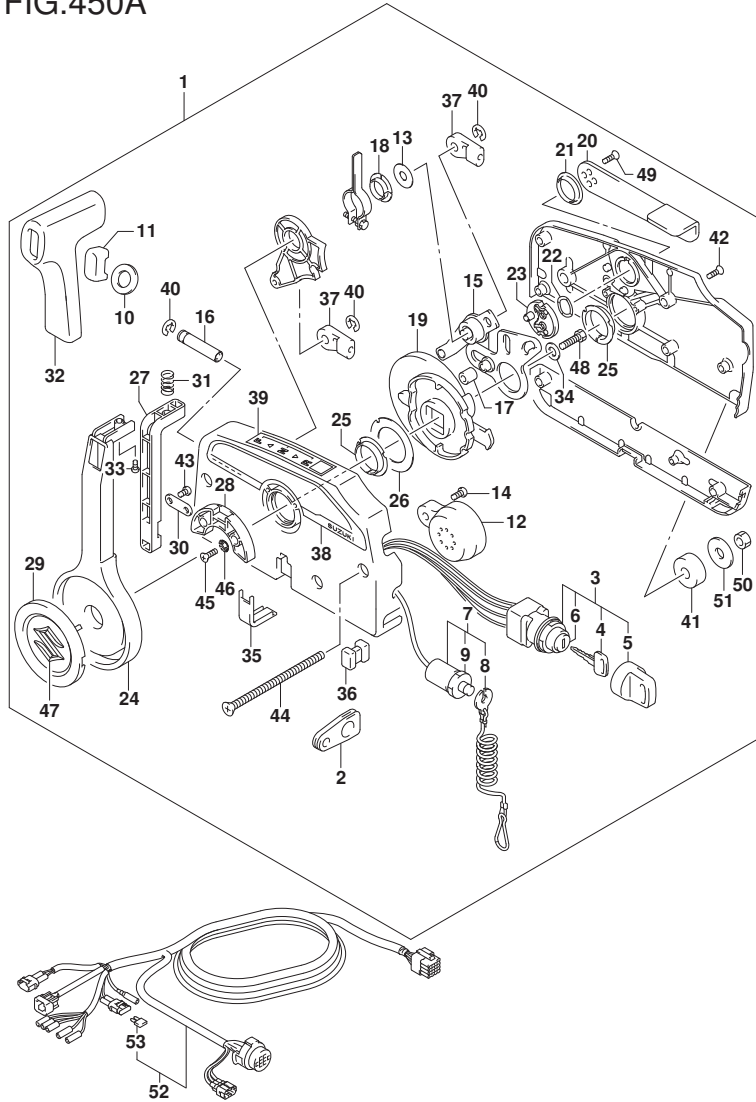


FIG.450A

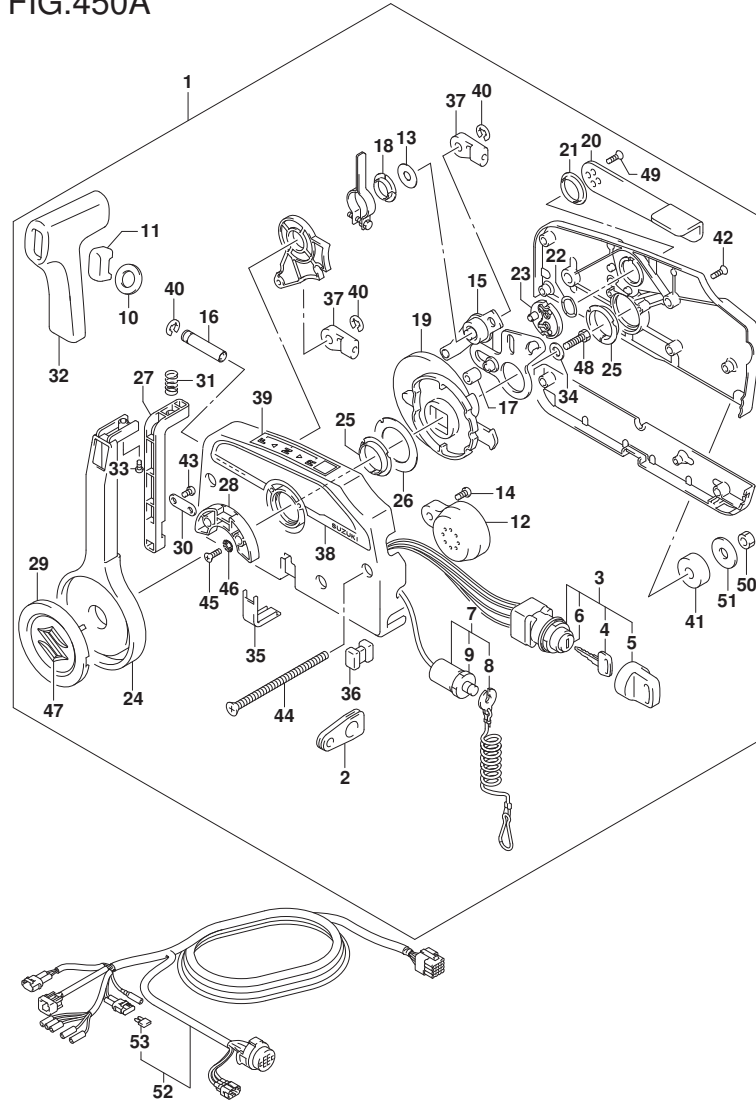


FIG.450A (2-D-3) REMOTE CONTROL (DF25AR P01)

REF NO.	PART NO.	DESCRIPTION	Q'TY	REMARKS
23	67245-95600	.DRUM, FREE THROTTLE	1	
24	67251-99E20	.LEVER, HANDLE	1	
25	67252-95600	.BUSH	2	
26	67253-95600	.WASHER	1	
27	67255-99E10	.ARM, LOCK	1	
28	67256-95600	.HOLDER, NEUTRAL LOCK	1	
29	67257-99E10	.CAP, LEVER	1	
30	67258-99E00	.BRACKET	1	
31	67259-87D00	.SPRING, NEUTRAL ARM	1	
32	67261-99E10	.GRIP	1	
33	67296-94310	.SCREW	1	
34	67264-95600	.WASHER	1	
35	67267-93J00	.COVER, WIRE	1	
36	67273-95600	.SPACER	1	
37	67275-95600	.END, CABLE	2	
38	67282-94L00	.DECAL, REMOCON SIDE	1	
39	67284-94L00	.MARK, HANDLE LEVER	1	
40	67292-94300	.E RING	3	
41	67294-95600	.SPACER	3	
42	67296-90J10	.SCREW, REAR COVER	5	
43	67296-94300	.SCREW (4X10)	2	
44	67296-95600	.SCREW	3	
45	67296-95610	.SCREW	2	
46	67297-95600	.WASHER	2	
47	77811-54GB0-0PG	.EMBLEM, REAR MARK S (CHROME)	1	
48	09100-08232	.BOLT (8X30)	1	
49	09126-05003	.SCREW (5X12)	2	
50	09140-06020	.NUT	3	
51	09160-06104	.WASHER (6.5X24X2)	3	
52	36620-94L00	WIRE ASSY, REMOTE CONTROL	1	
53	09481-10501	.FUSE (10A)	1	

FIG.450B

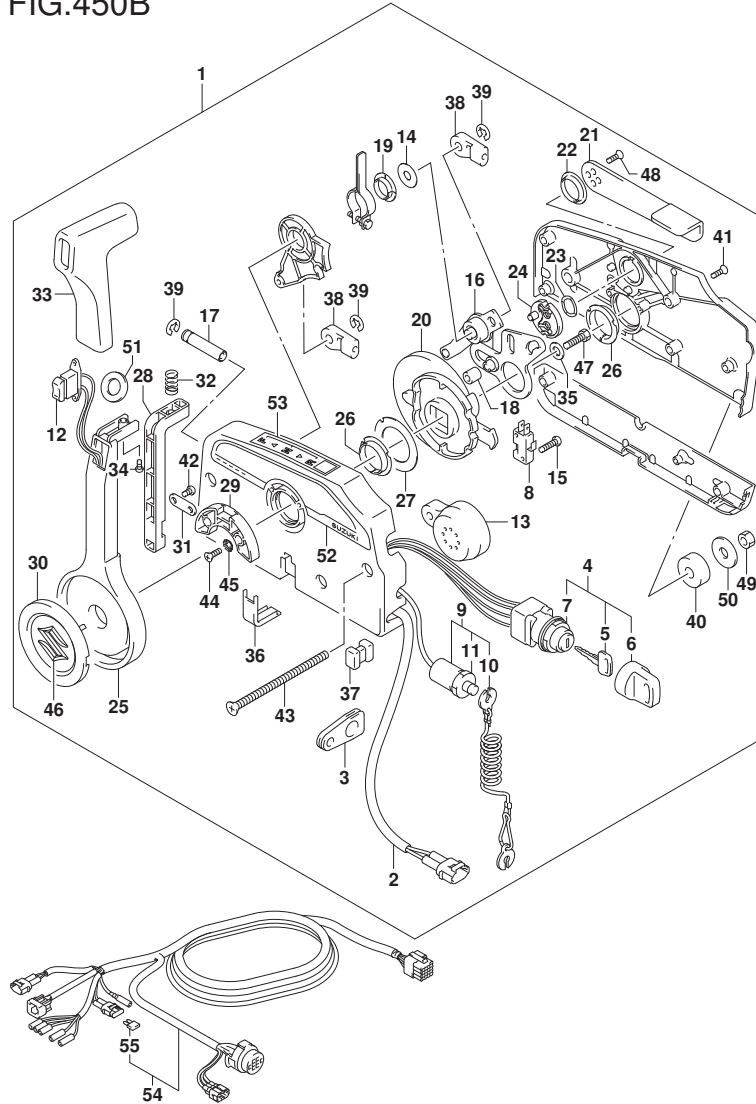


FIG.450B (2-D-4) REMOTE CONTROL (DF25AT P01)

REF NO.	PART NO.	DESCRIPTION	Q'TY	REMARKS
1	67200-93J51	REMOTE CONTROL ASSY	1	
2	36646-93J01	.WIRE ASSY, PTT SW ADAPTER	1	
3	36628-92E00	.GROMMET, WIRE HARNESS	1	
4	37110-93J11	.SWITCH ASSY, IGNITION	1	
5-1	37141-99E00	..KEY (931)	2	
5-2	37141-99E10	..KEY (932)	2	
5-3	37141-99E20	..KEY (933)	2	
5-4	37141-99E30	..KEY (934)	2	
5-5	37141-99E40	..KEY (935)	2	
5-6	37141-99E50	..KEY (936)	2	
5-7	37141-99E60	..KEY (937)	2	
5-8	37141-99E70	..KEY (938)	2	
5-9	37141-99E80	..KEY (939)	2	
5-10	37141-99E90	..KEY (940)	2	
5-11	37141-99EA0	..KEY (941)	2	
5-12	37141-99EB0	..KEY (942)	2	
6	37143-99E00	..CAP, KEY	2	
7	37149-93J00	..CAP CYLINDER BODY	1	
8	37721-93J91	.SWITCH, NEUTRAL	1	
9	37820-93J04	.SWITCH ASSY, EMERGENCY	1	
10	37823-92E01	..PLATE	1	
11	37826-92J00	..NUT	1	
12	37850-90J06	.SWITCH ASSY, PTT	1	
13	38500-93J90	..BUZZER	1	
14	67212-95600	.WASHER	1	
15	67296-92E11	.SCREW, NEUTRAL SWITCH	2	
16	67220-95630	.PLATE ASSY	1	
17	67223-99E10	.KNOB, BRAKE ADJ	1	
18	67229-95600	..ROLLER	1	
19	67232-95600	..BUSH	1	
20	67238-87D00	..GEAR, DRIVE	1	
21	67241-99E10	..LEVER, FREE THROTTLE	1	
22	67243-95600	..BUSH	1	
23	67244-95600	..WASHER, WAVE	1	

FIG.450B

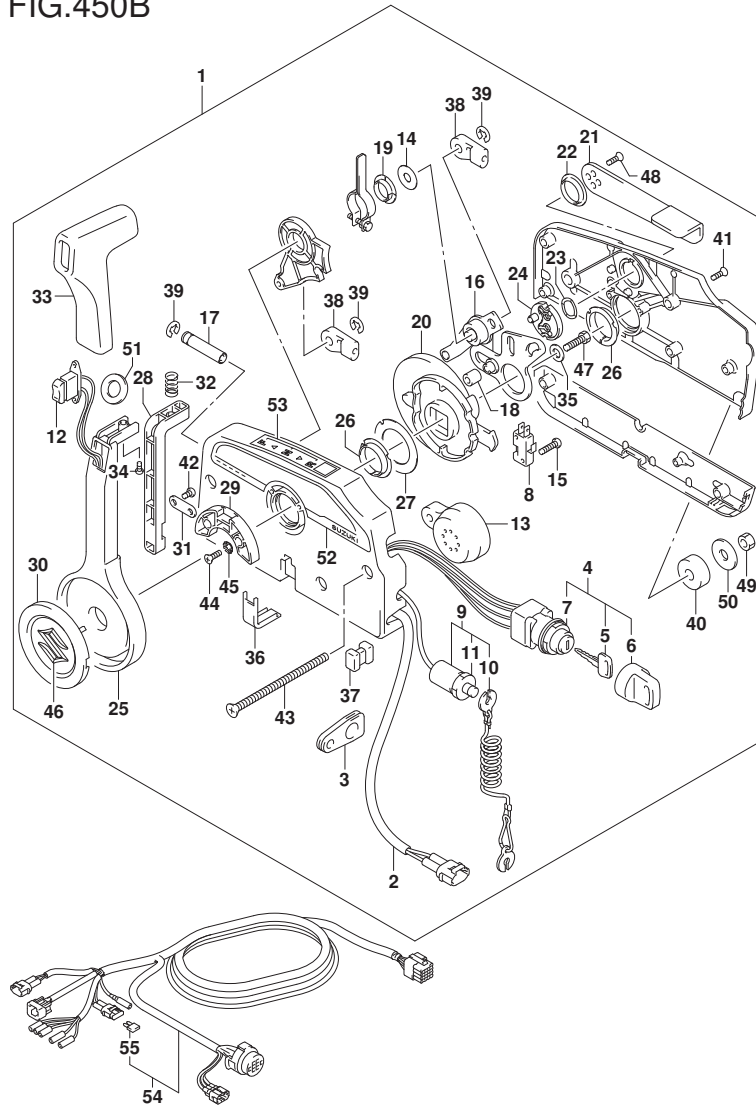


FIG.450B (2-D-5) REMOTE CONTROL (DF25AT P01)

REF NO.	PART NO.	DESCRIPTION	Q'TY	REMARKS
24	67245-95600	.DRUM, FREE THROTTLE	1	
25	67251-99E20	.LEVER, HANDLE	1	
26	67252-95600	.BUSH	2	
27	67253-95600	.WASHER	1	
28	67255-99E10	.ARM, LOCK	1	
29	67256-95600	.HOLDER, NEUT LOCK	1	
30	67257-99E10	.CAP, LEVER	1	
31	67258-99E00	.BRACKET, LOCK ARM	1	
32	67259-87D00	.SPRING, NEUTRAL ARM	1	
33	67261-99E10	.GRIP	1	
34	67296-94310	.SCREW	1	
35	67264-95600	.WASHER	1	
36	67267-93J00	.COVER, WIRE	1	
37	67273-95600	.SPACER	1	
38	67275-95600	.END, CABLE	2	
39	67292-94300	.E RING	3	
40	67294-95600	.SPACER	3	
41	67296-90J10	.SCREW	5	
42	67296-94300	.SCREW	2	
43	67296-95600	.SCREW	3	
44	67296-95610	.SCREW	2	
45	67297-95600	.WASHER	2	
46	77811-54GB0-0PG	.EMBLEM, REAR MARK S (CHROME)	1	
47	09100-08232	.BOLT (8X30)	1	
48	09126-05003	.SCREW (5X12)	2	
49	09140-06020	.NUT	3	
50	09160-06104	.WASHER (6.5X24X2)	3	
51	37859-90J00	.SPACER	1	
52	67282-94L00	.DECAL, REMOCON SIDE	1	
53	67284-94L00	.MARK, HANDLE LEVER	1	
54	36620-94L10	WIRE ASSY, REMOTE CONTROL	1	
55	09481-10501	.FUSE (10A)	1	

FIG.450C

FIG.450C (2-D-6) REMOTE CONTROL (DF30AR P01)

REF NO.	PART NO.	DESCRIPTION	Q'TY	REMARKS
1	67200-94J20	REMOTE CONTROL ASSY	1	
2	36628-92E00	..GROMMET, WIRING HARNESS	1	
3	37110-94J02	..SWITCH ASSY, IGNITION	1	
4-1	37141-99E00	..KEY (931)	2	
4-2	37141-99E10	..KEY (932)	2	
4-3	37141-99E20	..KEY (933)	2	
4-4	37141-99E30	..KEY (934)	2	
4-5	37141-99E40	..KEY (935)	2	
4-6	37141-99E50	..KEY (936)	2	
4-7	37141-99E60	..KEY (937)	2	
4-8	37141-99E70	..KEY (938)	2	
4-9	37141-99E80	..KEY (939)	2	
4-10	37141-99E90	..KEY (940)	2	
4-11	37141-99EA0	..KEY (941)	2	
4-12	37141-99EB0	..KEY (942)	2	
5	37143-99E00	..CAP, KEY	2	
6	37149-93J00	..CAP, CYLINDER BODY	1	
7	37820-93J04	..SWITCH ASSY, EMERGENCY	1	
8	37823-92E01	..PLATE ASSY, EMERGENCY SWITCH LOCK	1	
9	37826-92J00	..NUT	1	
10	37859-90J00	..SPACER	1	
11	37864-94J10	..CAP, PTT SW	1	
12	38500-93J00	..BUZZER ASSY, WARNING	1	
13	67212-95600	..WASHER	1	
14	67214-92E00	..SCREW (5X20)	1	
15	67220-95630	..PLATE ASSY	1	
16	67223-99E10	..KNOB, BRAKE ADJUST	1	
17	67229-95600	..ROLLER	1	
18	67232-95600	..BUSH	1	
19	67238-87D00	..GEAR, DRIVE	1	
20	67241-99E10	..LEVER, FREE THROTTLE	1	
21	67243-95600	..BUSH	1	
22	67244-95600	..WAVE WASHER	1	

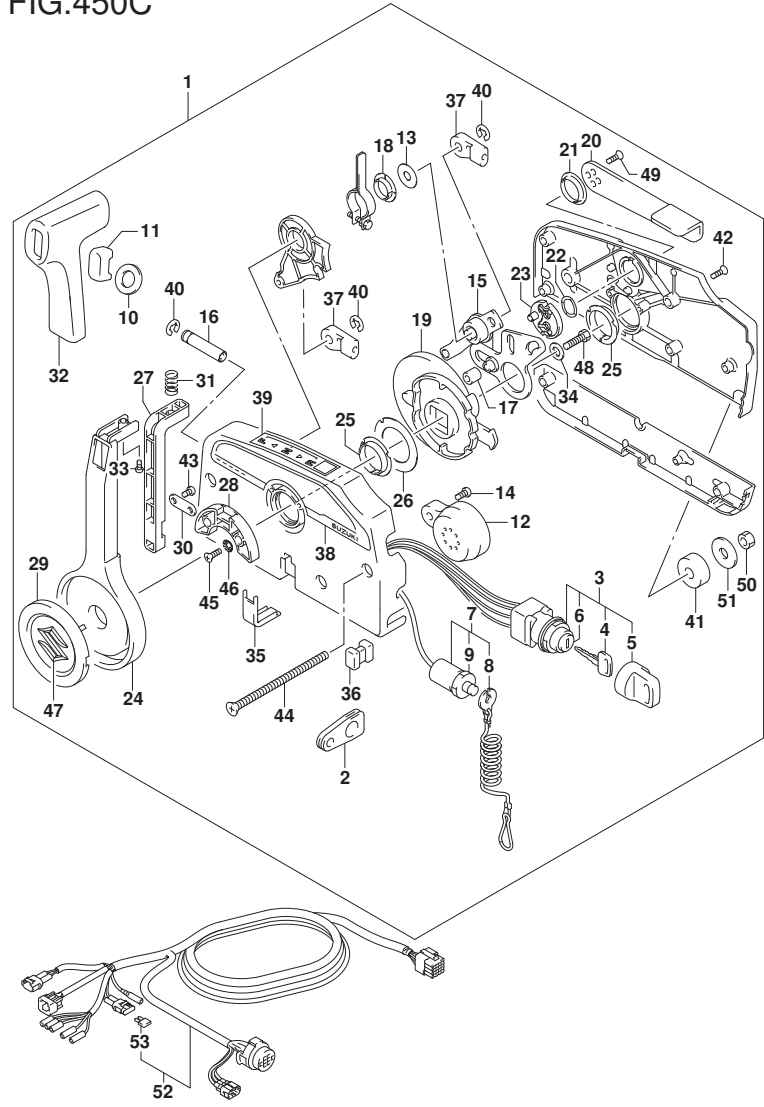


FIG.450C

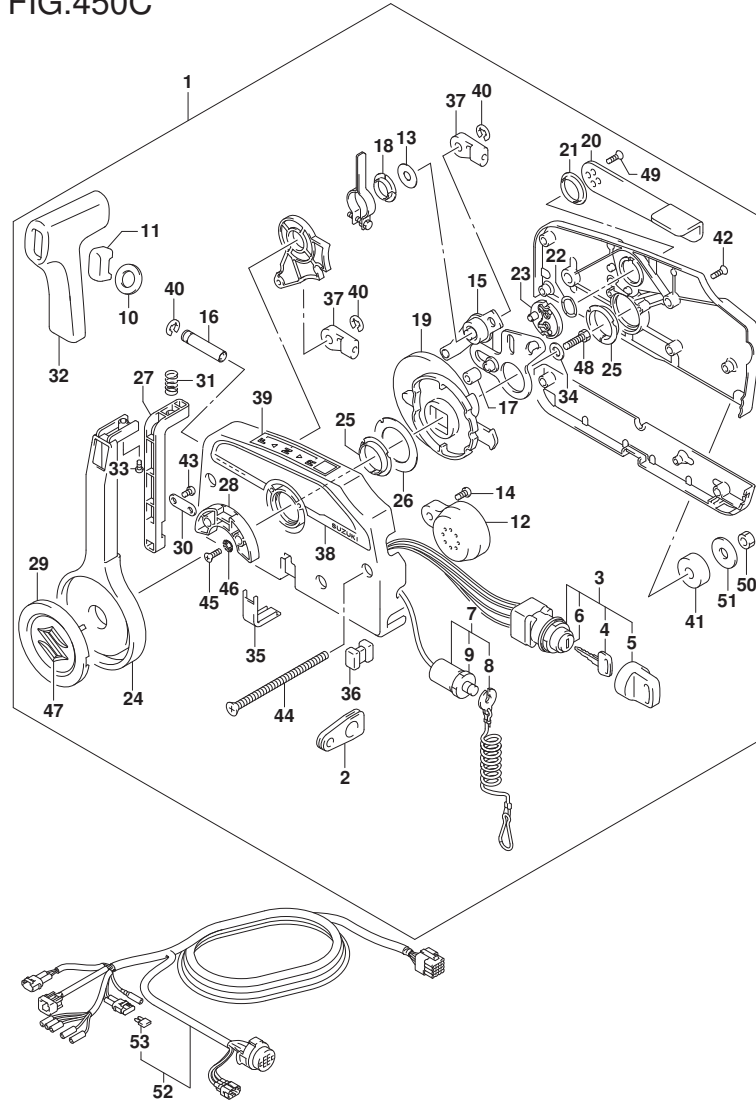


FIG.450C (2-D-7) REMOTE CONTROL (DF30AR P01)

REF NO.	PART NO.	DESCRIPTION	Q'TY	REMARKS
23	67245-95600	.DRUM, FREE THROTTLE	1	
24	67251-99E20	.LEVER, HANDLE	1	
25	67252-95600	.BUSH	2	
26	67253-95600	.WASHER	1	
27	67255-99E10	.ARM, LOCK	1	
28	67256-95600	.HOLDER, NEUTRAL LOCK	1	
29	67257-99E10	.CAP, LEVER	1	
30	67258-99E00	.BRACKET	1	
31	67259-87D00	.SPRING, NEUTRAL ARM	1	
32	67261-99E10	.GRIP	1	
33	67296-94310	.SCREW	1	
34	67264-95600	.WASHER	1	
35	67267-93J00	.COVER, WIRE	1	
36	67273-95600	.SPACER	1	
37	67275-95600	.END, CABLE	2	
38	67282-94L00	.DECAL, REMOCON SIDE	1	
39	67284-94L00	.MARK, HANDLE LEVER	1	
40	67292-94300	.E RING	3	
41	67294-95600	.SPACER	3	
42	67296-90J10	.SCREW, REAR COVER	5	
43	67296-94300	.SCREW (4X10)	2	
44	67296-95600	.SCREW	3	
45	67296-95610	.SCREW	2	
46	67297-95600	.WASHER	2	
47	77811-54GB0-0PG	.EMBLEM, REAR MARK S (CHROME)	1	
48	09100-08232	.BOLT (8X30)	1	
49	09126-05003	.SCREW (5X12)	2	
50	09140-06020	.NUT	3	
51	09160-06104	.WASHER (6.5X24X2)	3	
52	36620-94L00	WIRE ASSY, REMOTE CONTROL	1	
53	09481-10501	.FUSE (10A)	1	

FIG.450D

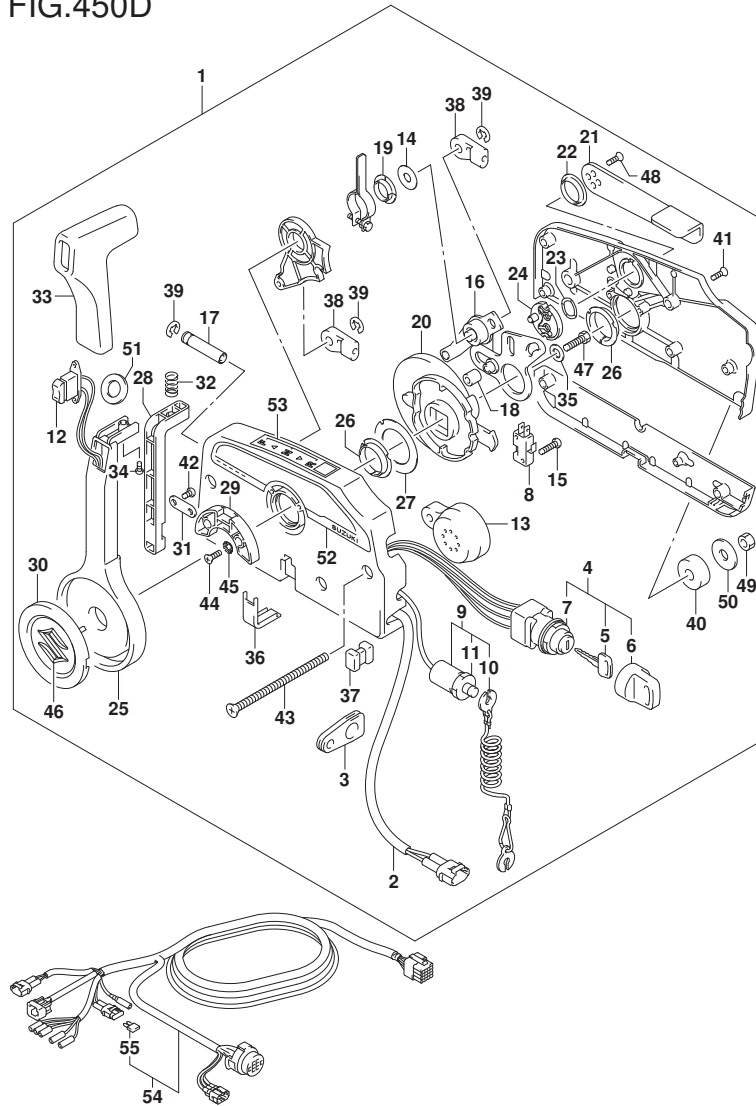


FIG.450D (2-D-8) REMOTE CONTROL (DF30AT P01)

REF NO.	PART NO.	DESCRIPTION	Q'TY	REMARKS
1	67200-93J51	REMOTE CONTROL ASSY	1	
2	36646-93J01	.WIRE ASSY, PTT SW ADAPTER	1	
3	36628-92E00	.GROMMET, WIRE HARNESS	1	
4	37110-93J11	.SWITCH ASSY, IGNITION	1	
5-1	37141-99E00	..KEY (931)	2	
5-2	37141-99E10	..KEY (932)	2	
5-3	37141-99E20	..KEY (933)	2	
5-4	37141-99E30	..KEY (934)	2	
5-5	37141-99E40	..KEY (935)	2	
5-6	37141-99E50	..KEY (936)	2	
5-7	37141-99E60	..KEY (937)	2	
5-8	37141-99E70	..KEY (938)	2	
5-9	37141-99E80	..KEY (939)	2	
5-10	37141-99E90	..KEY (940)	2	
5-11	37141-99EA0	..KEY (941)	2	
5-12	37141-99EB0	..KEY (942)	2	
6	37143-99E00	..CAP, KEY	2	
7	37149-93J00	..CAP CYLINDER BODY	1	
8	37721-93J91	.SWITCH, NEUTRAL	1	
9	37820-93J04	.SWITCH ASSY, EMERGENCY	1	
10	37823-92E01	..PLATE	1	
11	37826-92J00	..NUT	1	
12	37850-90J06	.SWITCH ASSY, PTT	1	
13	38500-93J90	..BUZZER	1	
14	67212-95600	.WASHER	1	
15	67296-92E11	.SCREW, NEUTRAL SWITCH	2	
16	67220-95630	.PLATE ASSY	1	
17	67223-99E10	.KNOB, BRAKE ADJ	1	
18	67229-95600	..ROLLER	1	
19	67232-95600	..BUSH	1	
20	67238-87D00	..GEAR, DRIVE	1	
21	67241-99E10	..LEVER, FREE THROTTLE	1	
22	67243-95600	..BUSH	1	
23	67244-95600	..WASHER, WAVE	1	

FIG.450D

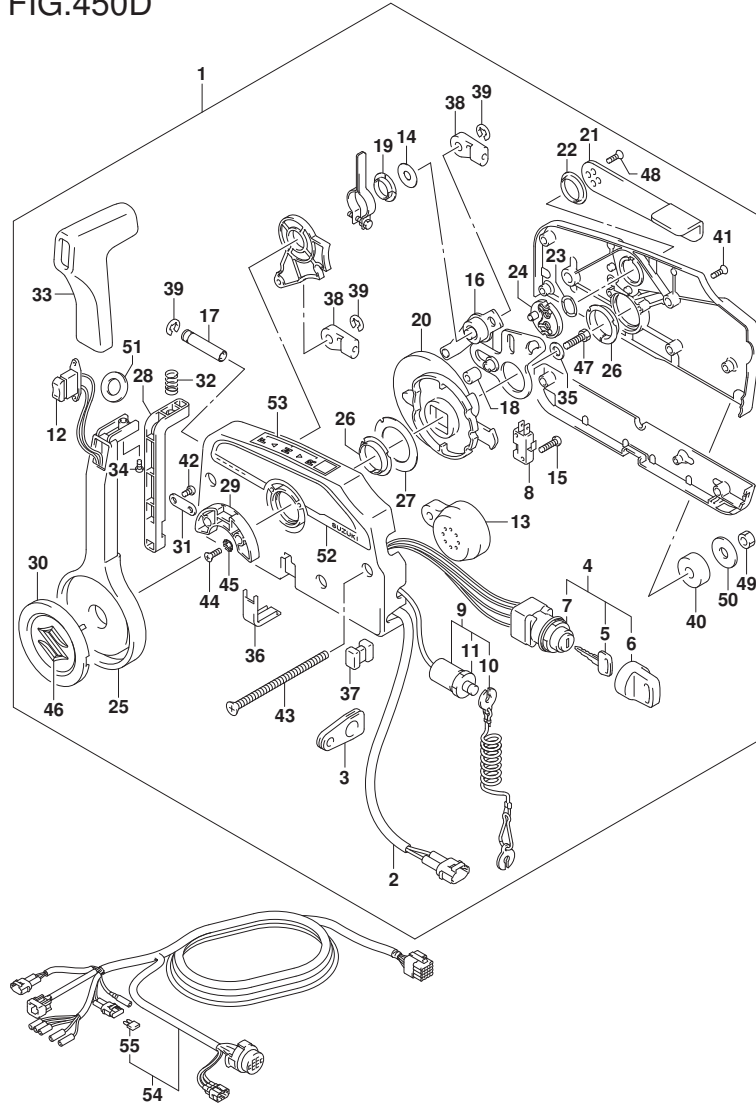


FIG.450D (2-D-9) REMOTE CONTROL (DF30AT P01)

REF NO.	PART NO.	DESCRIPTION	Q'TY	REMARKS
24	67245-95600	.DRUM, FREE THROTTLE	1	
25	67251-99E20	.LEVER, HANDLE	1	
26	67252-95600	.BUSH	2	
27	67253-95600	.WASHER	1	
28	67255-99E10	.ARM, LOCK	1	
29	67256-95600	.HOLDER, NEUT LOCK	1	
30	67257-99E10	.CAP, LEVER	1	
31	67258-99E00	.BRACKET, LOCK ARM	1	
32	67259-87D00	.SPRING, NEUTRAL ARM	1	
33	67261-99E10	.GRIP	1	
34	67296-94310	.SCREW	1	
35	67264-95600	.WASHER	1	
36	67267-93J00	.COVER, WIRE	1	
37	67273-95600	.SPACER	1	
38	67275-95600	.END, CABLE	2	
39	67292-94300	.E RING	3	
40	67294-95600	.SPACER	3	
41	67296-90J10	.SCREW	5	
42	67296-94300	.SCREW	2	
43	67296-95600	.SCREW	3	
44	67296-95610	.SCREW	2	
45	67297-95600	.WASHER	2	
46	77811-54GB0-0PG	.EMBLEM, REAR MARK S (CHROME)	1	
47	09100-08232	.BOLT (8X30)	1	
48	09126-05003	.SCREW (5X12)	2	
49	09140-06020	.NUT	3	
50	09160-06104	.WASHER (6.5X24X2)	3	
51	37859-90J00	.SPACER	1	
52	67282-94L00	.DECAL, REMOCON SIDE	1	
53	67284-94L00	.MARK, HANDLE LEVER	1	
54	36620-94L10	WIRE ASSY, REMOTE CONTROL	1	
55	09481-10501	.FUSE (10A)	1	

FIG.501A

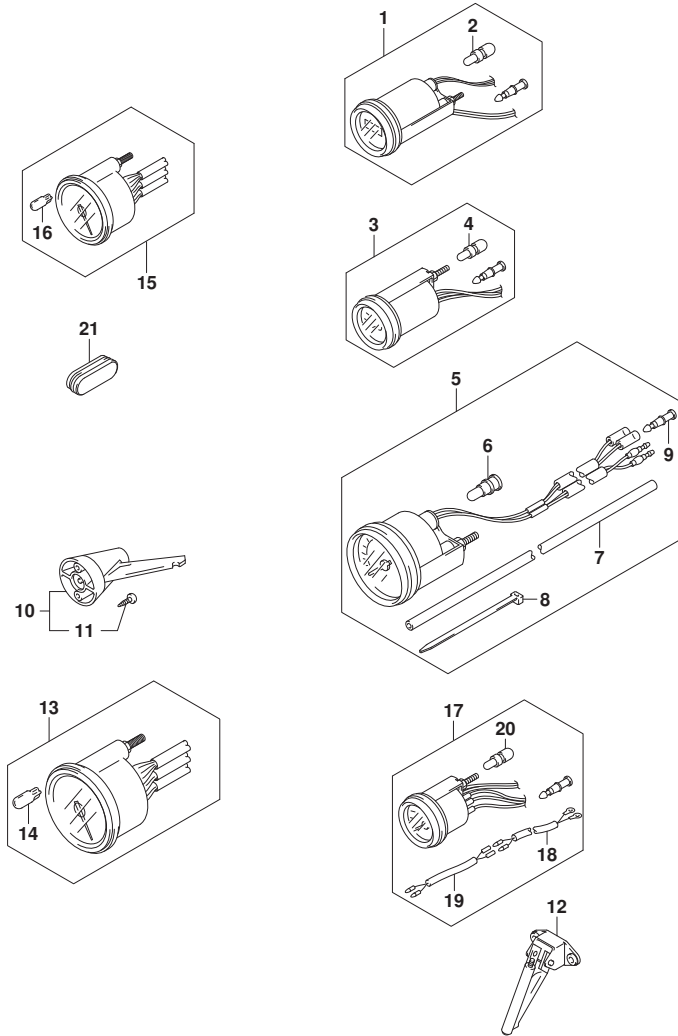


FIG.501A (2-D-10) OPT:METER (DF25AR P01)

REF NO.	PART NO.	DESCRIPTION	Q'TY	REMARKS
1-1	34500-93J00	METER ASSY, HOUR	1	BLACK
1-2	34500-93J11	METER ASSY, HOUR	1	WHITE
2	09471-12103	.BULB (12V,3W,T6.5)	1	
3-1	34600-93J00	METER ASSY, VOLTAGE	1	BLACK
3-2	34600-93J11	METER ASSY, VOLTAGE	1	WHITE
4	09471-12103	.BULB (12V,3W,T6.5)	1	
5-1	34100-93J20	SPEEDOMETER ASSY	1	MAX 80KM/H BLACK
5-2	34100-93J31	SPEEDOMETER ASSY	1	MAX 80KM/H WHITE
5-3	34100-93J40	SPEEDOMETER ASSY	1	MAX 45KNOTS BLACK
5-4	34100-93J51	SPEEDOMETER ASSY	1	MAX 45KNOTS WHITE
6	09471-12028	.BULB (12V3.4W,T10)	1	
7	34191-92E00	.TUBE	1	
8	09407-14407	.CLAMP (L:145)	2	
9	36615-96300	.TERMINAL, RESIN	2	
10	34190-95500	SENDER ASSY, SPEEDOMETER	1	
11	03112-0630B	.SCREW	2	
12	34190-87D00	SENDER ASSY, SPEEDOMETER	1	
13-1	34200-93J20	TACHOMETER ASSY	1	BLACK
13-2	34200-93J32	TACHOMETER ASSY	1	WHITE
14	09471-12028	.BULB (12V3.4W,T10)	1	
15-1	34200-93J00	TACHOMETER ASSY, WITH MONITOR	1	BLACK
15-2	34200-93J12	TACHOMETER ASSY, WITH MONITOR	1	WHITE
16	09471-12077	.BULB (12V1.7W,T10,WB121)	1	
17-1	34300-93J00	GAUGE ASSY, FUEL	1	BLACK
17-2	34300-93J11	GAUGE ASSY, FUEL	1	WHITE
18	34310-92E00	.LEAD, FUEL GAUGE	1	
19	34360-92E00	.ADAPTER, FUEL GAUGE	1	
20	09471-12103	.BULB (12V,3W,T6.5)	1	
21	39669-94L00	PLUG, LOWER COVER	1	

FIG.501B

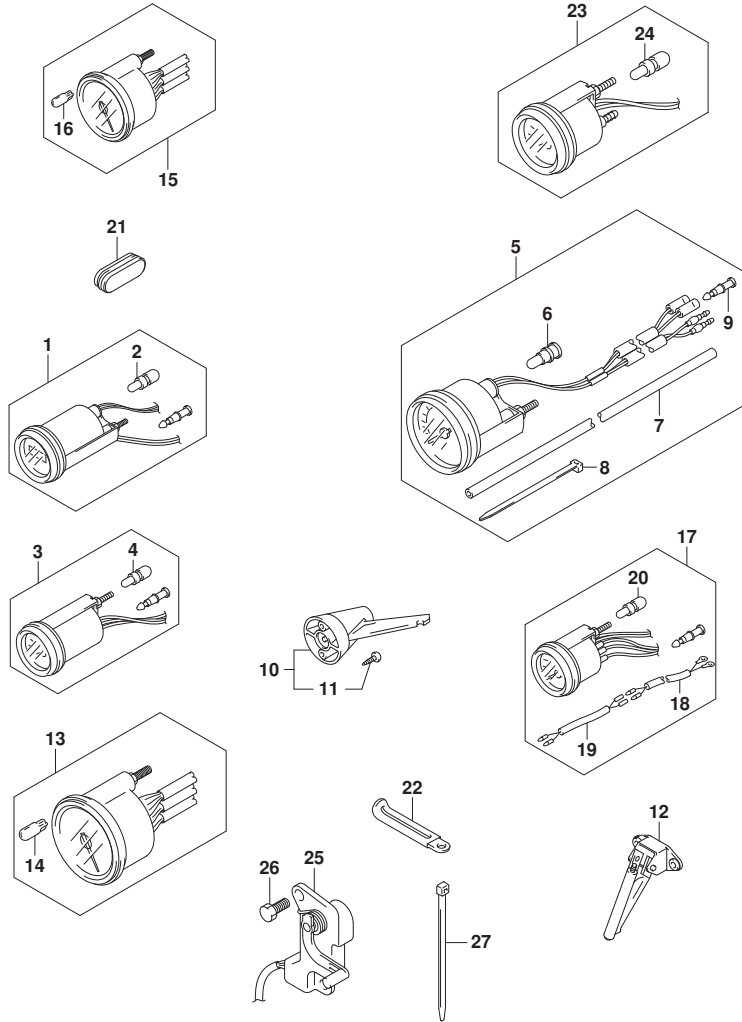


FIG.501B (2-D-11) OPT:METER (DF25AT P01)

REF NO.	PART NO.	DESCRIPTION	Q'TY	REMARKS
1-1	34500-93J00	METER ASSY, HOUR	1	BLACK
1-2	34500-93J11	METER ASSY, HOUR	1	WHITE
2	09471-12103	.BULB (12V,3W,T6.5)	1	
3-1	34600-93J00	METER ASSY, VOLTAGE	1	BLACK
3-2	34600-93J11	METER ASSY, VOLTAGE	1	WHITE
4	09471-12103	.BULB (12V,3W,T6.5)	1	
5-1	34100-93J20	SPEEDOMETER ASSY	1	MAX 80KM/H BLACK
5-2	34100-93J31	SPEEDOMETER ASSY	1	MAX 80KM/H WHITE
5-3	34100-93J40	SPEEDOMETER ASSY	1	MAX 45KNOTS BLACK
5-4	34100-93J51	SPEEDOMETER ASSY	1	MAX 45KNOTS WHITE
6	09471-12028	.BULB (12V3.4W,T10)	1	
7	34191-92E00	.TUBE	1	
8	09407-14407	.CLAMP (L:145)	2	
9	36615-96300	.TERMINAL, RESIN	2	
10	34190-95500	SENDER ASSY, SPEEDOMETER	1	
11	03112-0630B	.SCREW	2	
12	34190-87D00	SENDER ASSY, SPEEDOMETER	1	
13-1	34200-93J20	TACHOMETER ASSY	1	BLACK
13-2	34200-93J32	TACHOMETER ASSY	1	WHITE
14	09471-12028	.BULB (12V3.4W,T10)	1	
15-1	34200-93J00	TACHOMETER ASSY, WITH MONITOR	1	BLACK
15-2	34200-93J12	TACHOMETER ASSY, WITH MONITOR	1	WHITE
16	09471-12077	.BULB (12V1.7W,T10,WB121)	1	
17-1	34300-93J00	GAUGE ASSY, FUEL	1	BLACK
17-2	34300-93J11	GAUGE ASSY, FUEL	1	WHITE
18	34310-92E00	.LEAD, FUEL GAUGE	1	
19	34360-92E00	.ADAPTER, FUEL GAUGE	1	
20	09471-12103	.BULB (12V,3W,T6.5)	1	
21	39669-94L00	PLUG, LOWER COVER	1	
22	29404-93J10	CLAMP, TRIM SENDER LEAD	1	
23-1	34800-93J00	METER ASSY, TRIM	1	BLACK
23-2	34800-93J11	METER ASSY, TRIM	1	WHITE
24	09471-12108	.BULB (12V1.7W,T6.5)	1	
25	34801-99E04	SENDER ASSY, TRIM	1	

FIG.501B

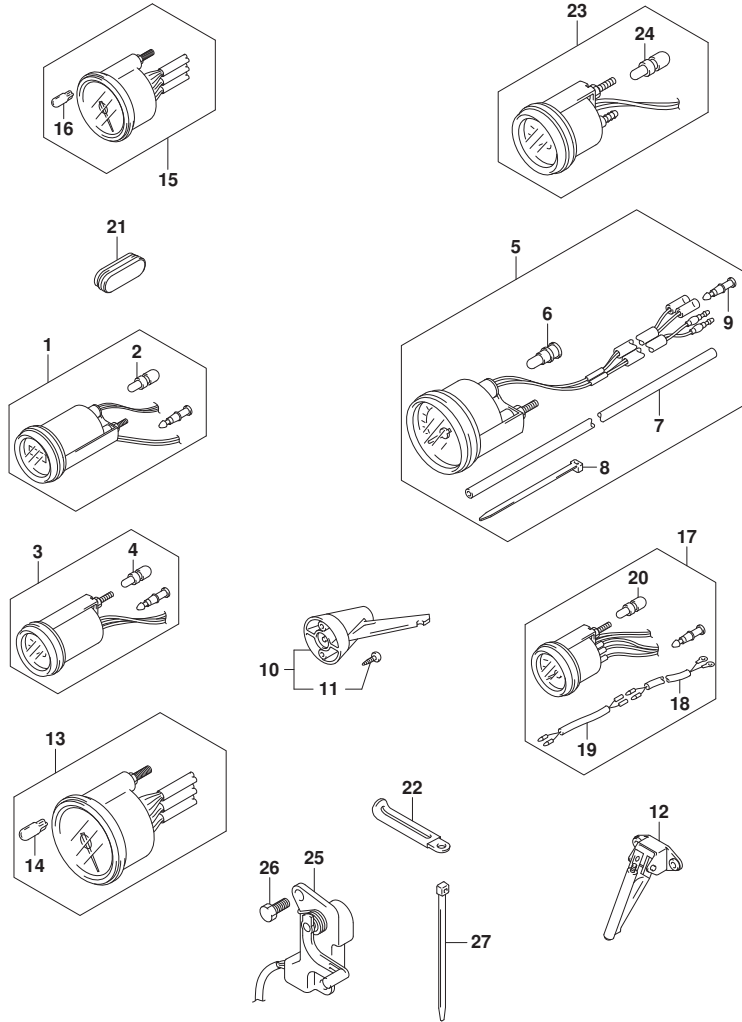


FIG.501B (2-D-12) OPT:METER (DF25AT P01)

REF NO.	PART NO.	DESCRIPTION	Q'TY	REMARKS
26	09100-06113	BOLT (6X16)	2	
27	09407-14407	CLAMP (L:145)	2	

FIG.501C

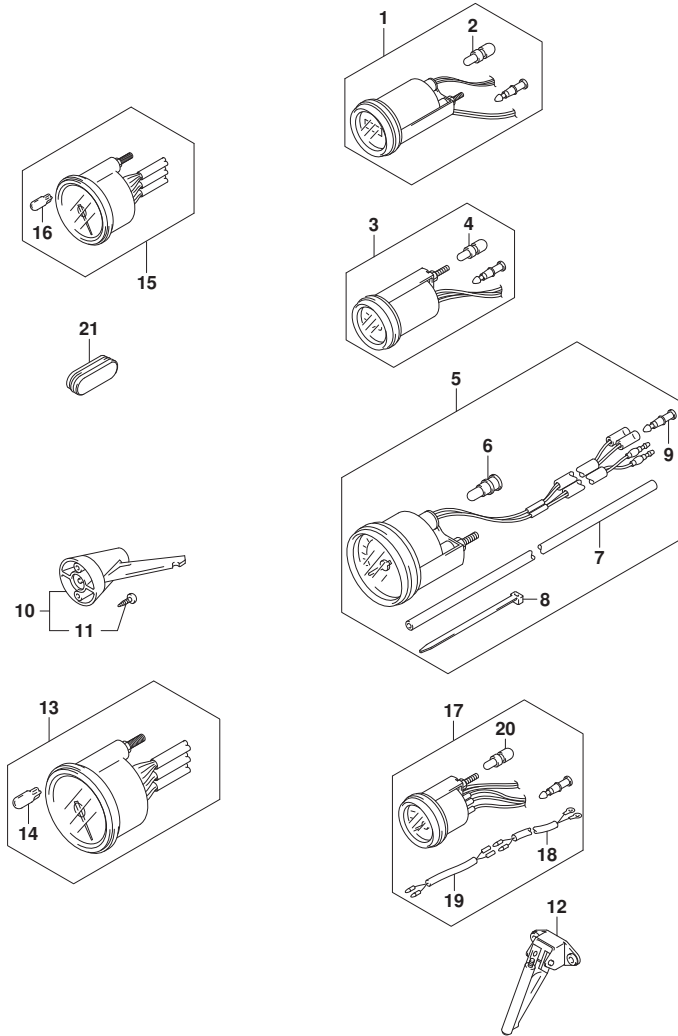


FIG.501C (2-D-13) OPT:METER (DF30AR P01)

REF NO.	PART NO.	DESCRIPTION	Q'TY	REMARKS
1-1	34500-93J00	METER ASSY, HOUR	1	BLACK
1-2	34500-93J11	METER ASSY, HOUR	1	WHITE
2	09471-12103	.BULB (12V,3W,T6.5)	1	
3-1	34600-93J00	METER ASSY, VOLTAGE	1	BLACK
3-2	34600-93J11	METER ASSY, VOLTAGE	1	WHITE
4	09471-12103	.BULB (12V,3W,T6.5)	1	
5-1	34100-93J20	SPEEDOMETER ASSY	1	MAX 80KM/H BLACK
5-2	34100-93J31	SPEEDOMETER ASSY	1	MAX 80KM/H WHITE
5-3	34100-93J40	SPEEDOMETER ASSY	1	MAX 45KNOTS BLACK
5-4	34100-93J51	SPEEDOMETER ASSY	1	MAX 45KNOTS WHITE
6	09471-12028	.BULB (12V3.4W,T10)	1	
7	34191-92E00	.TUBE	1	
8	09407-14407	.CLAMP (L:145)	2	
9	36615-96300	.TERMINAL, RESIN	2	
10	34190-95500	SENDER ASSY, SPEEDOMETER	1	
11	03112-0630B	.SCREW	2	
12	34190-87D00	SENDER ASSY, SPEEDOMETER	1	
13-1	34200-93J20	TACHOMETER ASSY	1	BLACK
13-2	34200-93J32	TACHOMETER ASSY	1	WHITE
14	09471-12028	.BULB (12V3.4W,T10)	1	
15-1	34200-93J00	TACHOMETER ASSY, WITH MONITOR	1	BLACK
15-2	34200-93J12	TACHOMETER ASSY, WITH MONITOR	1	WHITE
16	09471-12077	.BULB (12V1.7W,T10,WB121)	1	
17-1	34300-93J00	GAUGE ASSY, FUEL	1	BLACK
17-2	34300-93J11	GAUGE ASSY, FUEL	1	WHITE
18	34310-92E00	.LEAD, FUEL GAUGE	1	
19	34360-92E00	.ADAPTER, FUEL GAUGE	1	
20	09471-12103	.BULB (12V,3W,T6.5)	1	
21	39669-94L00	PLUG, LOWER COVER	1	

FIG.501D

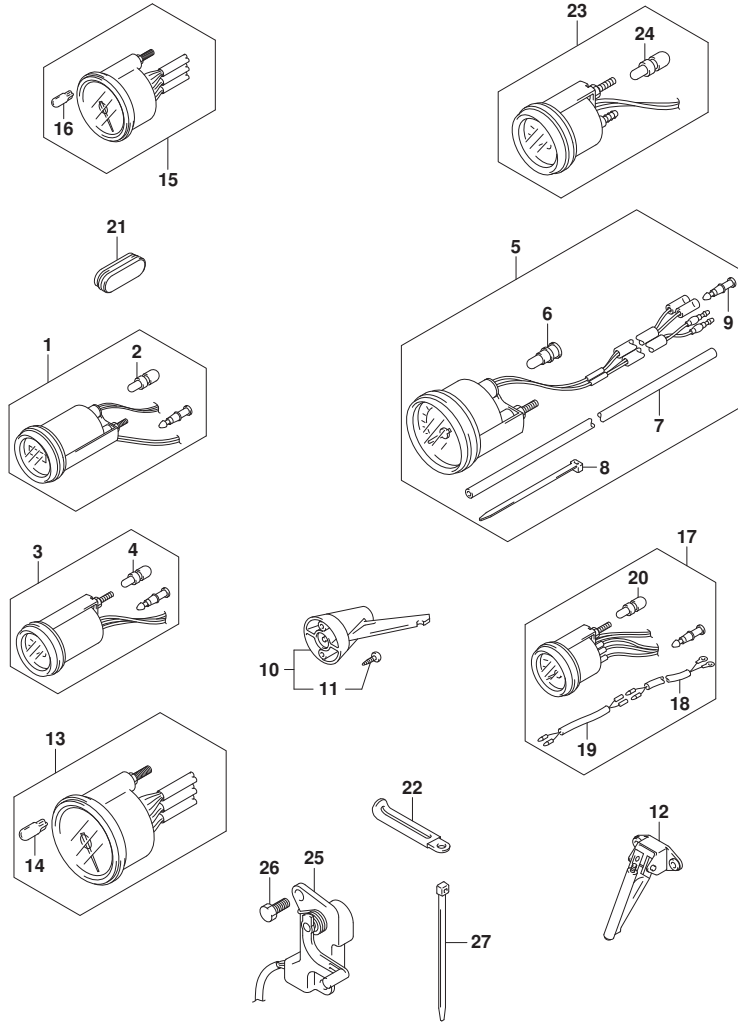


FIG.501D (2-D-14) OPT:METER (DF30AT P01)

REF NO.	PART NO.	DESCRIPTION	Q'TY	REMARKS
1-1	34500-93J00	METER ASSY, HOUR	1	BLACK
1-2	34500-93J11	METER ASSY, HOUR	1	WHITE
2	09471-12103	.BULB (12V,3W,T6.5)	1	
3-1	34600-93J00	METER ASSY, VOLTAGE	1	BLACK
3-2	34600-93J11	METER ASSY, VOLTAGE	1	WHITE
4	09471-12103	.BULB (12V,3W,T6.5)	1	
5-1	34100-93J20	SPEEDOMETER ASSY	1	MAX 80KM/H BLACK
5-2	34100-93J31	SPEEDOMETER ASSY	1	MAX 80KM/H WHITE
5-3	34100-93J40	SPEEDOMETER ASSY	1	MAX 45KNOTS BLACK
5-4	34100-93J51	SPEEDOMETER ASSY	1	MAX 45KNOTS WHITE
6	09471-12028	.BULB (12V3.4W,T10)	1	
7	34191-92E00	.TUBE	1	
8	09407-14407	.CLAMP (L:145)	2	
9	36615-96300	.TERMINAL, RESIN	2	
10	34190-95500	SENDER ASSY, SPEEDOMETER	1	
11	03112-0630B	.SCREW	2	
12	34190-87D00	SENDER ASSY, SPEEDOMETER	1	
13-1	34200-93J20	TACHOMETER ASSY	1	BLACK
13-2	34200-93J32	TACHOMETER ASSY	1	WHITE
14	09471-12028	.BULB (12V3.4W,T10)	1	
15-1	34200-93J00	TACHOMETER ASSY, WITH MONITOR	1	BLACK
15-2	34200-93J12	TACHOMETER ASSY, WITH MONITOR	1	WHITE
16	09471-12077	.BULB (12V1.7W,T10,WB121)	1	
17-1	34300-93J00	GAUGE ASSY, FUEL	1	BLACK
17-2	34300-93J11	GAUGE ASSY, FUEL	1	WHITE
18	34310-92E00	.LEAD, FUEL GAUGE	1	
19	34360-92E00	.ADAPTER, FUEL GAUGE	1	
20	09471-12103	.BULB (12V,3W,T6.5)	1	
21	39669-94L00	PLUG, LOWER COVER	1	
22	29404-93J10	CLAMP, TRIM SENDER LEAD	1	
23-1	34800-93J00	METER ASSY, TRIM	1	BLACK
23-2	34800-93J11	METER ASSY, TRIM	1	WHITE
24	09471-12108	.BULB (12V1.7W,T6.5)	1	
25	34801-99E04	SENDER ASSY, TRIM	1	

FIG.501D

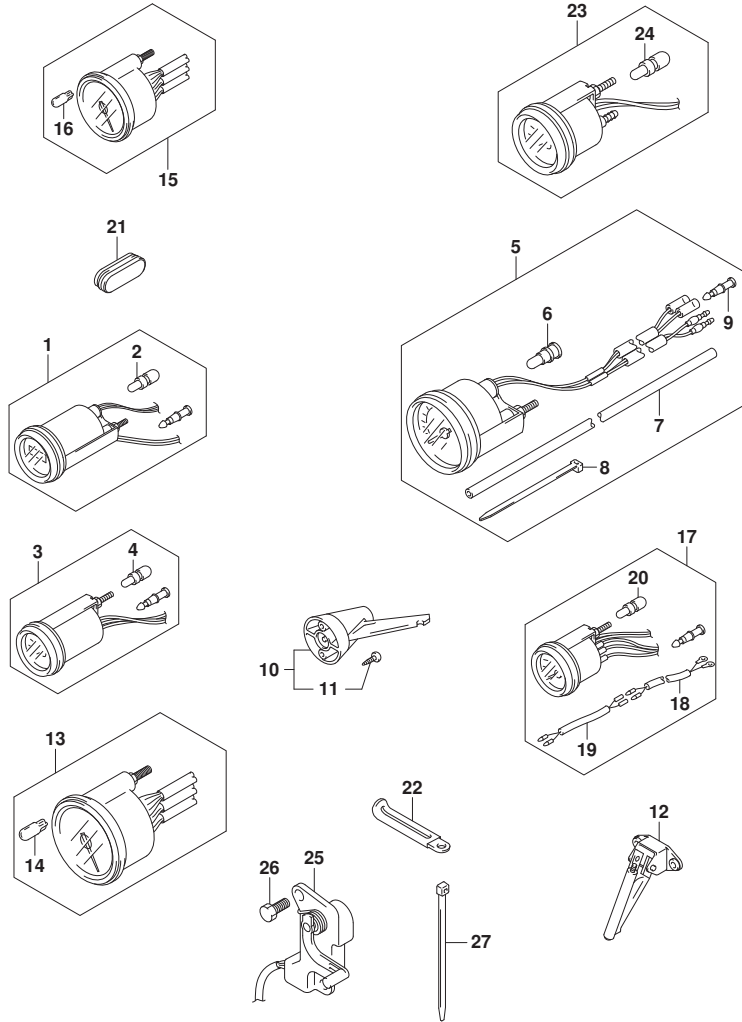


FIG.501D (2-D-15) OPT:METER (DF30AT P01)

REF NO.	PART NO.	DESCRIPTION	Q'TY	REMARKS
26	09100-06113	BOLT (6X16)	2	
27	09407-14407	CLAMP (L:145)	2	

FIG.508A

FIG.508A (2-E-2) OPT:REMOTE CONTROL (DF25A P01)

REF NO.	PART NO.	DESCRIPTION	Q'TY	REMARKS
1	67200-94J20	REMOTE CONTROL ASSY	1	
2	36628-92E00	..GROMMET, WIRING HARNESS	1	
3	37110-94J02	..SWITCH ASSY, IGNITION	1	
4-1	37141-99E00	..KEY (931)	2	
4-2	37141-99E10	..KEY (932)	2	
4-3	37141-99E20	..KEY (933)	2	
4-4	37141-99E30	..KEY (934)	2	
4-5	37141-99E40	..KEY (935)	2	
4-6	37141-99E50	..KEY (936)	2	
4-7	37141-99E60	..KEY (937)	2	
4-8	37141-99E70	..KEY (938)	2	
4-9	37141-99E80	..KEY (939)	2	
4-10	37141-99E90	..KEY (940)	2	
4-11	37141-99EA0	..KEY (941)	2	
4-12	37141-99EB0	..KEY (942)	2	
5	37143-99E00	..CAP, KEY	2	
6	37149-93J00	..CAP, CYLINDER BODY	1	
7	37820-93J04	..SWITCH ASSY, EMERGENCY	1	
8	37823-92E01	..PLATE ASSY, EMERGENCY	1	
9	37826-92J00	SWITCH LOCK	1	
10	37859-90J00	..NUT	1	
11	37864-94J10	..SPACER	1	
12	38500-93J00	..CAP, PTT SW	1	
13	67212-95600	..BUZZER ASSY, WARNING	1	
14	67214-92E00	..WASHER	1	
15	67220-95630	..SCREW (5X20)	1	
16	67223-99E10	..PLATE ASSY	1	
17	67229-95600	..KNOB, BRAKE ADJUST	1	
18	67232-95600	..ROLLER	1	
19	67238-87D00	..BUSH	1	
20	67241-99E10	..GEAR, DRIVE	1	
21	67243-95600	..LEVER, FREE THROTTLE	1	
22	67244-95600	..BUSH	1	
		..WAVE WASHER	1	

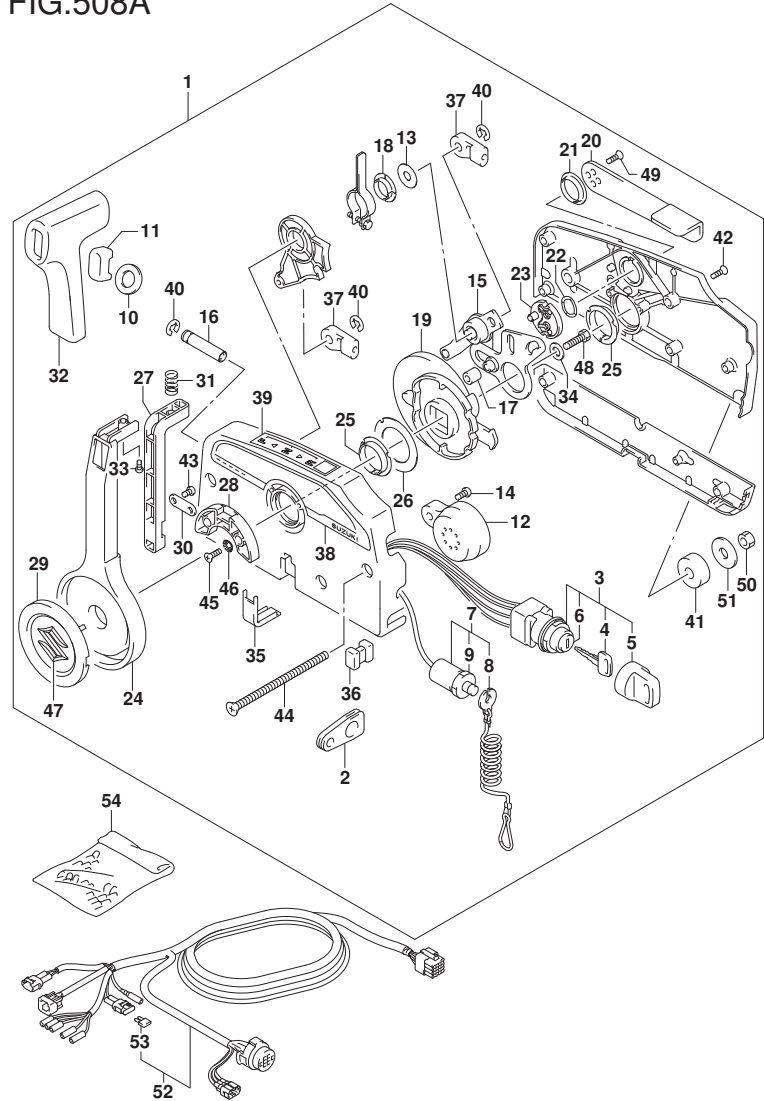
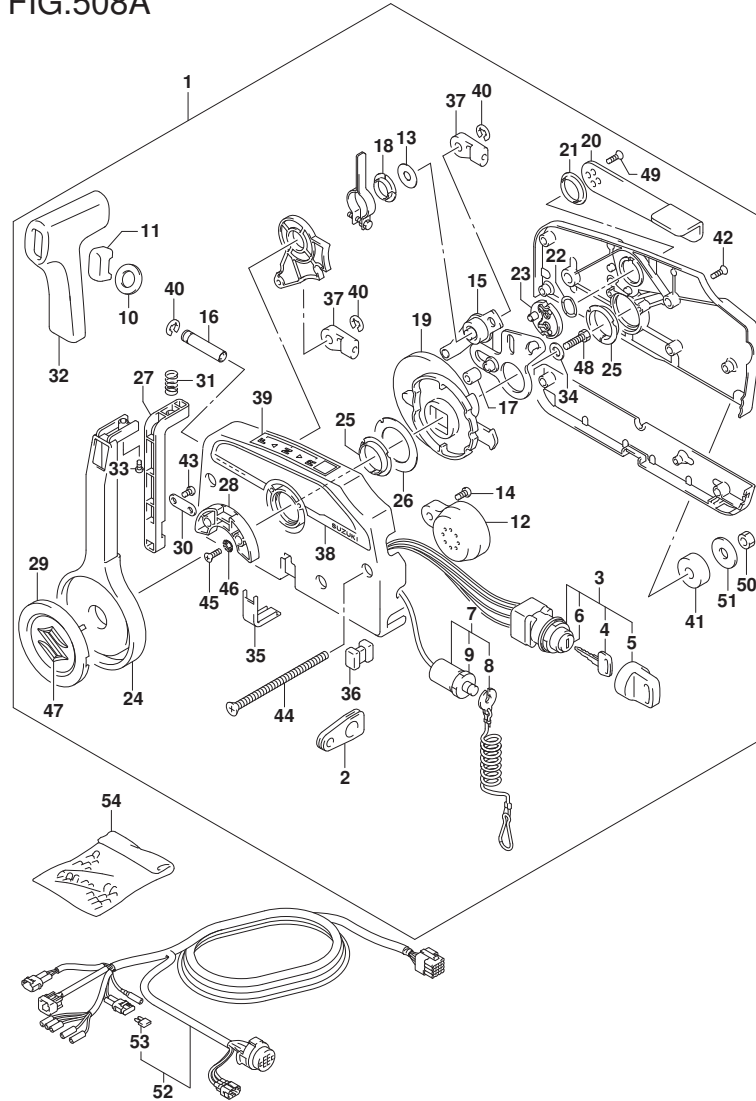


FIG.508A

FIG.508A (2-E-3) OPT:REMOTE CONTROL (DF25A P01)



REF NO.	PART NO.	DESCRIPTION	Q'TY	REMARKS
23	67245-95600	.DRUM, FREE THROTTLE	1	
24	67251-99E20	.LEVER, HANDLE	1	
25	67252-95600	.BUSH	2	
26	67253-95600	.WASHER	1	
27	67255-99E10	.ARM, LOCK	1	
28	67256-95600	.HOLDER, NEUTRAL LOCK	1	
29	67257-99E10	.CAP, LEVER	1	
30	67258-99E00	.BRACKET	1	
31	67259-87D00	.SPRING, NEUTRAL ARM	1	
32	67261-99E10	.GRIP	1	
33	67296-94310	.SCREW	1	
34	67264-95600	.WASHER	1	
35	67267-93J00	.COVER, WIRE	1	
36	67273-95600	.SPACER	1	
37	67275-95600	.END, CABLE	2	
38	67282-94L00	.DECAL, REMOCON SIDE	1	
39	67284-94L00	.MARK, HANDLE LEVER	1	
40	67292-94300	.E RING	3	
41	67294-95600	.SPACER	3	
42	67296-90J10	.SCREW, REAR COVER	5	
43	67296-94300	.SCREW (4X10)	2	
44	67296-95600	.SCREW	3	
45	67296-95610	.SCREW	2	
46	67297-95600	.WASHER	2	
47	77811-54GB0-0PG	.EMBLEM, REAR MARK S (CHROME)	1	
48	09100-08232	.BOLT (8X30)	1	
49	09126-05003	.SCREW (5X12)	2	
50	09140-06020	.NUT	3	
51	09160-06104	.WASHER (6.5X24X2)	3	
52	36620-94L00	WIRE ASSY, REMOTE CONTROL	1	
53	09481-10501	.FUSE (10A)	1	
54	36990-87D00	TERMINAL & SLEEVE SET	1	

FIG.508B

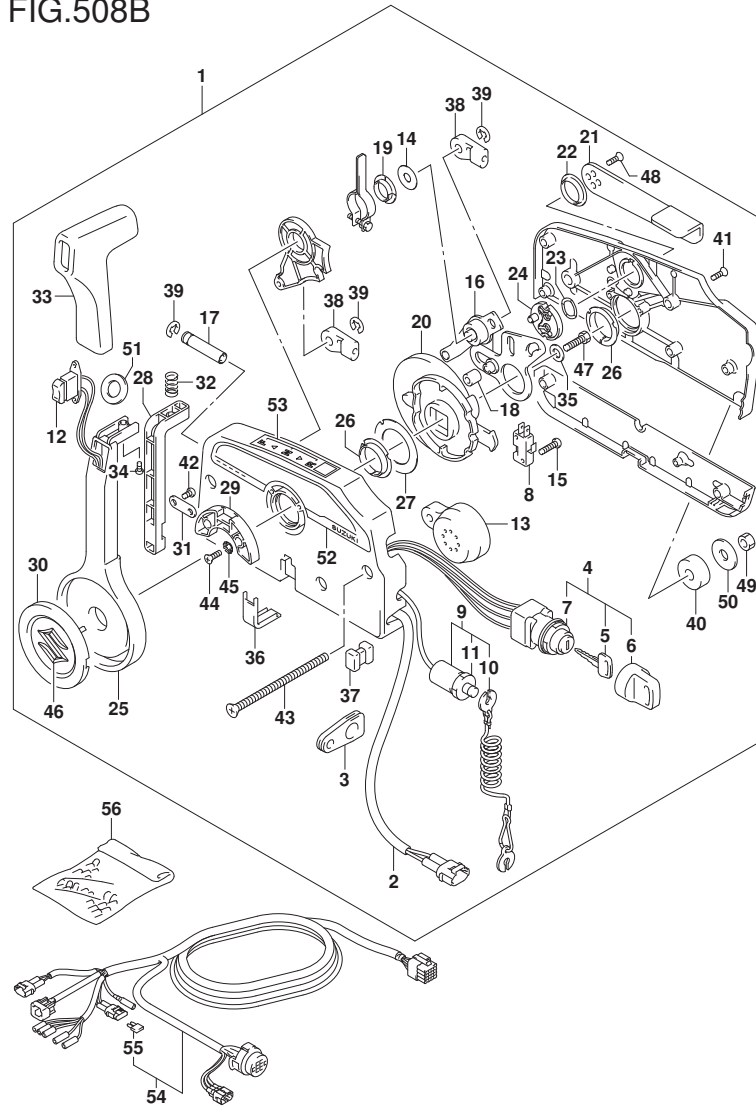


FIG.508B (2-E-4) OPT:REMOTE CONTROL (DF25ATH P01)

REF NO.	PART NO.	DESCRIPTION	Q'TY	REMARKS
1	67200-93J51	REMOTE CONTROL ASSY	1	
2	36646-93J01	.WIRE ASSY, PTT SW ADAPTER	1	
3	36628-92E00	.GROMMET, WIRE HARNESS	1	
4	37110-93J11	.SWITCH ASSY, IGNITION	1	
5-1	37141-99E00	..KEY (931)	2	
5-2	37141-99E10	..KEY (932)	2	
5-3	37141-99E20	..KEY (933)	2	
5-4	37141-99E30	..KEY (934)	2	
5-5	37141-99E40	..KEY (935)	2	
5-6	37141-99E50	..KEY (936)	2	
5-7	37141-99E60	..KEY (937)	2	
5-8	37141-99E70	..KEY (938)	2	
5-9	37141-99E80	..KEY (939)	2	
5-10	37141-99E90	..KEY (940)	2	
5-11	37141-99EA0	..KEY (941)	2	
5-12	37141-99EB0	..KEY (942)	2	
6	37143-99E00	..CAP, KEY	2	
7	37149-93J00	..CAP CYLINDER BODY	1	
8	37721-93J91	.SWITCH, NEUTRAL	1	
9	37820-93J04	.SWITCH ASSY, EMERGENCY	1	
10	..PLATE	1		
11	37826-92J00	..NUT	1	
12	37850-90J06	.SWITCH ASSY, PTT	1	
13	38500-93J90	.BUZZER	1	
14	67212-95600	.WASHER	1	
15	67296-92E11	.SCREW, NEUTRAL SWITCH	2	
16	67220-95630	.PLATE ASSY	1	
17	67223-99E10	.KNOB, BRAKE ADJ	1	
18	67229-95600	.ROLLER	1	
19	67232-95600	.BUSH	1	
20	67238-87D00	.GEAR, DRIVE	1	
21	67241-99E10	.LEVER, FREE THROTTLE	1	
22	67243-95600	.BUSH	1	
23	67244-95600	.WASHER, WAVE	1	

FIG.508B

FIG.508B (2-E-5) OPT:REMOTE CONTROL (DF25ATH P01)

REF NO.	PART NO.	DESCRIPTION	Q'TY	REMARKS
24	67245-95600	.DRUM, FREE THROTTLE	1	
25	67251-99E20	.LEVER, HANDLE	1	
26	67252-95600	.BUSH	2	
27	67253-95600	.WASHER	1	
28	67255-99E10	.ARM, LOCK	1	
29	67256-95600	.HOLDER, NEUT LOCK	1	
30	67257-99E10	.CAP, LEVER	1	
31	67258-99E00	.BRACKET, LOCK ARM	1	
32	67259-87D00	.SPRING, NEUTRAL ARM	1	
33	67261-99E10	.GRIP	1	
34	67296-94310	.SCREW	1	
35	67264-95600	.WASHER	1	
36	67267-93J00	.COVER, WIRE	1	
37	67273-95600	.SPACER	1	
38	67275-95600	.END, CABLE	2	
39	67292-94300	.E RING	3	
40	67294-95600	.SPACER	3	
41	67296-90J10	.SCREW	5	
42	67296-94300	.SCREW	2	
43	67296-95600	.SCREW	3	
44	67296-95610	.SCREW	2	
45	67297-95600	.WASHER	2	
46	77811-54GB0-0PG	.EMBLEM, REAR MARK S (CHROME)	1	
47	09100-08232	.BOLT (8X30)	1	
48	09126-05003	.SCREW (5X12)	2	
49	09140-06020	.NUT	3	
50	09160-06104	.WASHER (6.5X24X2)	3	
51	37859-90J00	.SPACER	1	
52	67282-94L00	.DECAL, REMOCON SIDE	1	
53	67284-94L00	.MARK, HANDLE LEVER	1	
54	36620-94L00	WIRE ASSY, REMOTE CONTROL	1	
55	09481-10501	.FUSE (10A)	1	
56	36990-87D00	TERMINAL & SLEEVE SET	1	

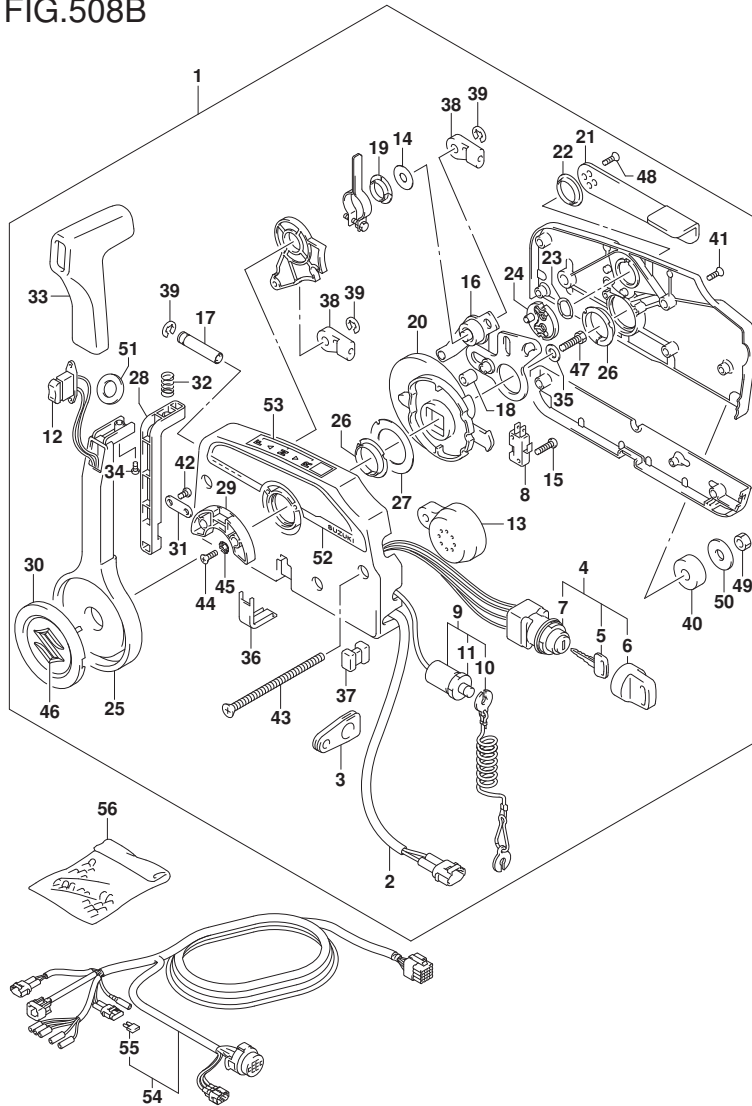


FIG.508C

FIG.508C (2-E-6) OPT:REMOTE CONTROL (DF30A P40)

REF NO.	PART NO.	DESCRIPTION	Q'TY	REMARKS
1	67200-94J20	REMOTE CONTROL ASSY	1	
2	36628-92E00	..GROMMET, WIRING HARNESS	1	
3	37110-94J02	..SWITCH ASSY, IGNITION	1	
4-1	37141-99E00	..KEY (931)	2	
4-2	37141-99E10	..KEY (932)	2	
4-3	37141-99E20	..KEY (933)	2	
4-4	37141-99E30	..KEY (934)	2	
4-5	37141-99E40	..KEY (935)	2	
4-6	37141-99E50	..KEY (936)	2	
4-7	37141-99E60	..KEY (937)	2	
4-8	37141-99E70	..KEY (938)	2	
4-9	37141-99E80	..KEY (939)	2	
4-10	37141-99E90	..KEY (940)	2	
4-11	37141-99EA0	..KEY (941)	2	
4-12	37141-99EB0	..KEY (942)	2	
5	37143-99E00	..CAP, KEY	2	
6	37149-93J00	..CAP, CYLINDER BODY	1	
7	37820-93J04	..SWITCH ASSY, EMERGENCY	1	
8	37823-92E01	..PLATE ASSY, EMERGENCY SWITCH LOCK	1	
9	37826-92J00	..NUT	1	
10	37859-90J00	..SPACER	1	
11	37864-94J10	..CAP, PTT SW	1	
12	38500-93J00	..BUZZER ASSY, WARNING	1	
13	67212-95600	..WASHER	1	
14	67214-92E00	..SCREW (5X20)	1	
15	67220-95630	..PLATE ASSY	1	
16	67223-99E10	..KNOB, BRAKE ADJUST	1	
17	67229-95600	..ROLLER	1	
18	67232-95600	..BUSH	1	
19	67238-87D00	..GEAR, DRIVE	1	
20	67241-99E10	..LEVER, FREE THROTTLE	1	
21	67243-95600	..BUSH	1	
22	67244-95600	..WAVE WASHER	1	

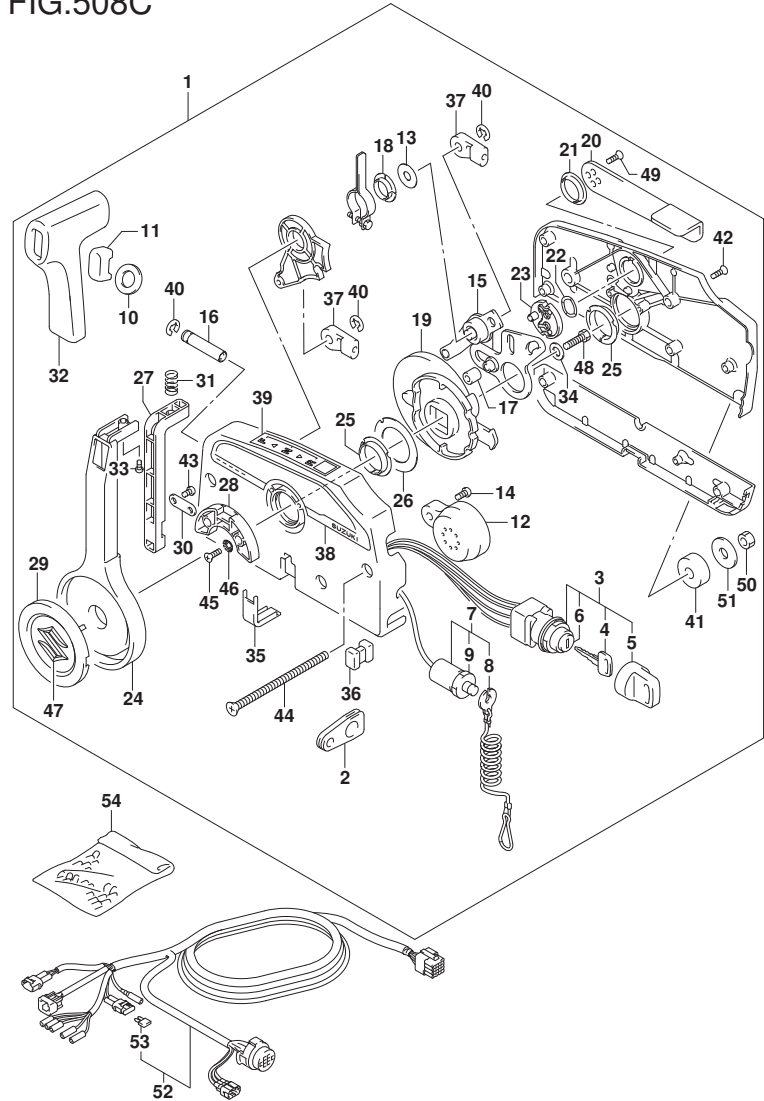


FIG.508C

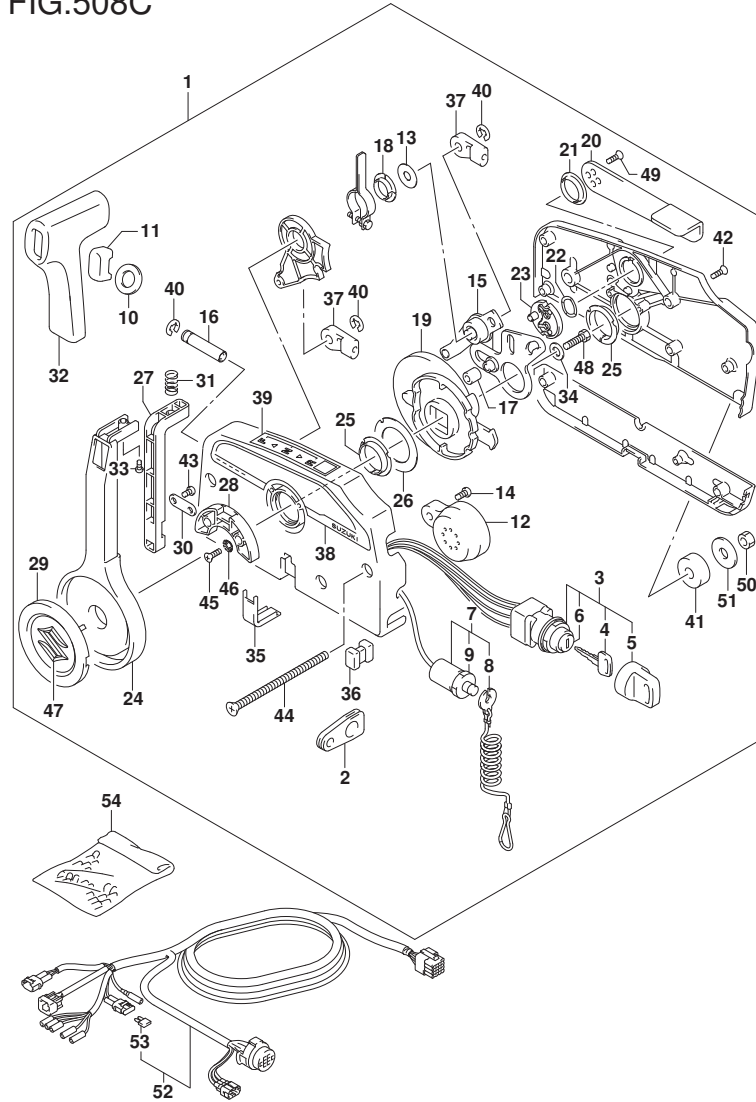
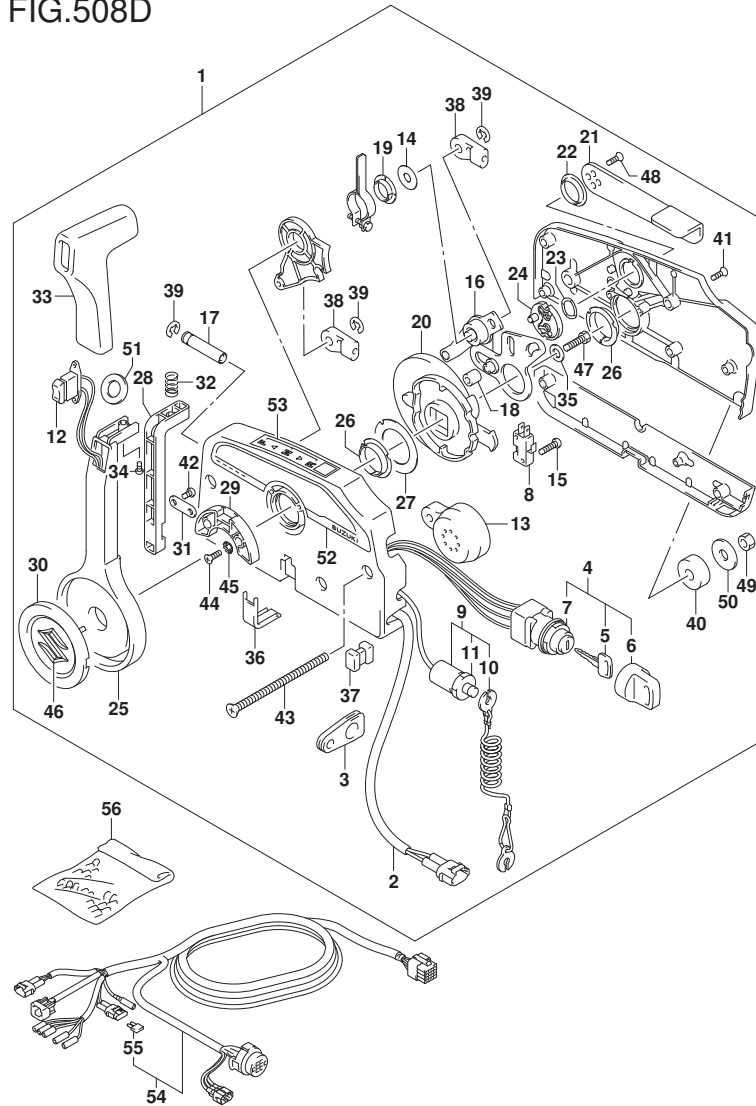


FIG.508C (2-E-7) OPT:REMOTE CONTROL (DF30A P40)

REF NO.	PART NO.	DESCRIPTION	Q'TY	REMARKS
23	67245-95600	.DRUM, FREE THROTTLE	1	
24	67251-99E20	.LEVER, HANDLE	1	
25	67252-95600	.BUSH	2	
26	67253-95600	.WASHER	1	
27	67255-99E10	.ARM, LOCK	1	
28	67256-95600	.HOLDER, NEUTRAL LOCK	1	
29	67257-99E10	.CAP, LEVER	1	
30	67258-99E00	.BRACKET	1	
31	67259-87D00	.SPRING, NEUTRAL ARM	1	
32	67261-99E10	.GRIP	1	
33	67296-94310	.SCREW	1	
34	67264-95600	.WASHER	1	
35	67267-93J00	.COVER, WIRE	1	
36	67273-95600	.SPACER	1	
37	67275-95600	.END, CABLE	2	
38	67282-94L00	.DECAL, REMOCON SIDE	1	
39	67284-94L00	.MARK, HANDLE LEVER	1	
40	67292-94300	.E RING	3	
41	67294-95600	.SPACER	3	
42	67296-90J10	.SCREW, REAR COVER	5	
43	67296-94300	.SCREW (4X10)	2	
44	67296-95600	.SCREW	3	
45	67296-95610	.SCREW	2	
46	67297-95600	.WASHER	2	
47	77811-54GB0-0PG	.EMBLEM, REAR MARK S (CHROME)	1	
48	09100-08232	.BOLT (8X30)	1	
49	09126-05003	.SCREW (5X12)	2	
50	09140-06020	.NUT	3	
51	09160-06104	.WASHER (6.5X24X2)	3	
52	36620-94L00	WIRE ASSY, REMOTE CONTROL	1	
53	09481-10501	.FUSE (10A)	1	
54	36990-87D00	TERMINAL & SLEEVE SET	1	

FIG.508D



DF25A_30A_P01_017_508D
OPT:REMOTE CONTROL

FIG.508D (2-E-8) OPT:REMOTE CONTROL (DF30ATH P01)

REF NO.	PART NO.	DESCRIPTION	Q'TY	REMARKS
1	67200-93J51	REMOTE CONTROL ASSY	1	
2	36646-93J01	.WIRE ASSY, PTT SW ADAPTER	1	
3	36628-92E00	.GROMMET, WIRE HARNESS	1	
4	37110-93J11	.SWITCH ASSY, IGNITION	1	
5-1	37141-99E00	..KEY (931)	2	
5-2	37141-99E10	..KEY (932)	2	
5-3	37141-99E20	..KEY (933)	2	
5-4	37141-99E30	..KEY (934)	2	
5-5	37141-99E40	..KEY (935)	2	
5-6	37141-99E50	..KEY (936)	2	
5-7	37141-99E60	..KEY (937)	2	
5-8	37141-99E70	..KEY (938)	2	
5-9	37141-99E80	..KEY (939)	2	
5-10	37141-99E90	..KEY (940)	2	
5-11	37141-99EA0	..KEY (941)	2	
5-12	37141-99EB0	..KEY (942)	2	
6	37143-99E00	..CAP, KEY	2	
7	37149-93J00	..CAP CYLINDER BODY	1	
8	37721-93J91	.SWITCH, NEUTRAL	1	
9	37820-93J04	.SWITCH ASSY, EMERGENCY	1	
10	37823-92E01	..PLATE	1	
11	37826-92J00	..NUT	1	
12	37850-90J06	.SWITCH ASSY, PTT	1	
13	38500-93J90	..BUZZER	1	
14	67212-95600	.WASHER	1	
15	67296-92E11	.SCREW, NEUTRAL SWITCH	2	
16	67220-95630	..PLATE ASSY	1	
17	67223-99E10	.KNOB, BRAKE ADJ	1	
18	67229-95600	..ROLLER	1	
19	67232-95600	..BUSH	1	
20	67238-87D00	..GEAR, DRIVE	1	
21	67241-99E10	..LEVER, FREE THROTTLE	1	
22	67243-95600	..BUSH	1	
23	67244-95600	..WASHER, WAVE	1	

DF25A_30A_P01_017

FIG.508D

FIG.508D (2-E-9) OPT:REMOTE CONTROL (DF30ATH P01)

REF NO.	PART NO.	DESCRIPTION	Q'TY	REMARKS
24	67245-95600	.DRUM, FREE THROTTLE	1	
25	67251-99E20	.LEVER, HANDLE	1	
26	67252-95600	.BUSH	2	
27	67253-95600	.WASHER	1	
28	67255-99E10	.ARM, LOCK	1	
29	67256-95600	.HOLDER, NEUT LOCK	1	
30	67257-99E10	.CAP, LEVER	1	
31	67258-99E00	.BRACKET, LOCK ARM	1	
32	67259-87D00	.SPRING, NEUTRAL ARM	1	
33	67261-99E10	.GRIP	1	
34	67296-94310	.SCREW	1	
35	67264-95600	.WASHER	1	
36	67267-93J00	.COVER, WIRE	1	
37	67273-95600	.SPACER	1	
38	67275-95600	.END, CABLE	2	
39	67292-94300	.E RING	3	
40	67294-95600	.SPACER	3	
41	67296-90J10	.SCREW	5	
42	67296-94300	.SCREW	2	
43	67296-95600	.SCREW	3	
44	67296-95610	.SCREW	2	
45	67297-95600	.WASHER	2	
46	77811-54GB0-0PG	.EMBLEM, REAR MARK S (CHROME)	1	
47	09100-08232	.BOLT (8X30)	1	
48	09126-05003	.SCREW (5X12)	2	
49	09140-06020	.NUT	3	
50	09160-06104	.WASHER (6.5X24X2)	3	
51	37859-90J00	.SPACER	1	
52	67282-94L00	.DECAL, REMOCON SIDE	1	
53	67284-94L00	.MARK, HANDLE LEVER	1	
54	36620-94L00	WIRE ASSY, REMOTE CONTROL	1	
55	09481-10501	.FUSE (10A)	1	
56	36990-87D00	TERMINAL & SLEEVE SET	1	

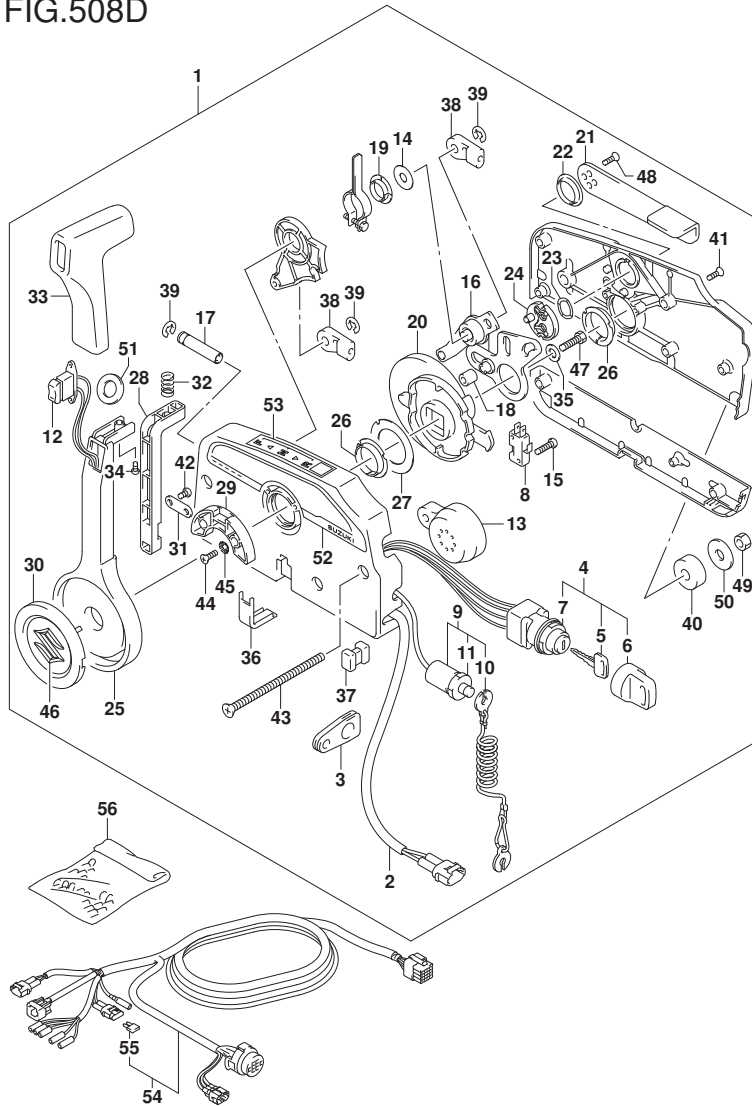
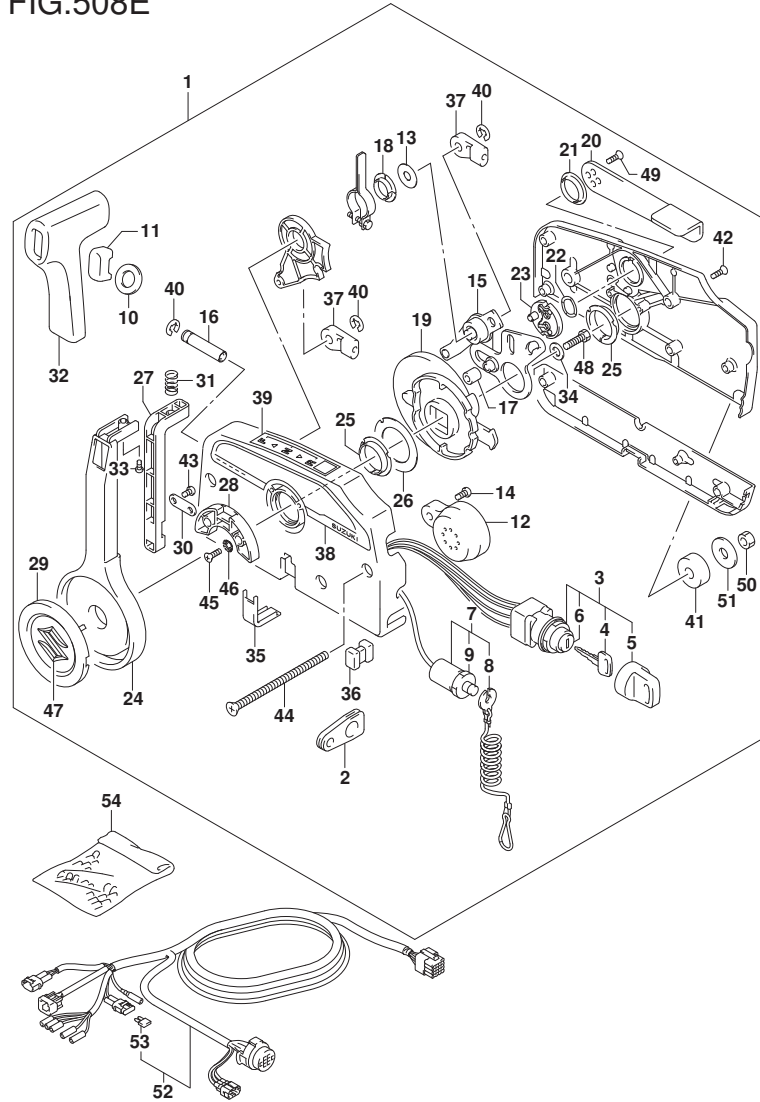


FIG.508E

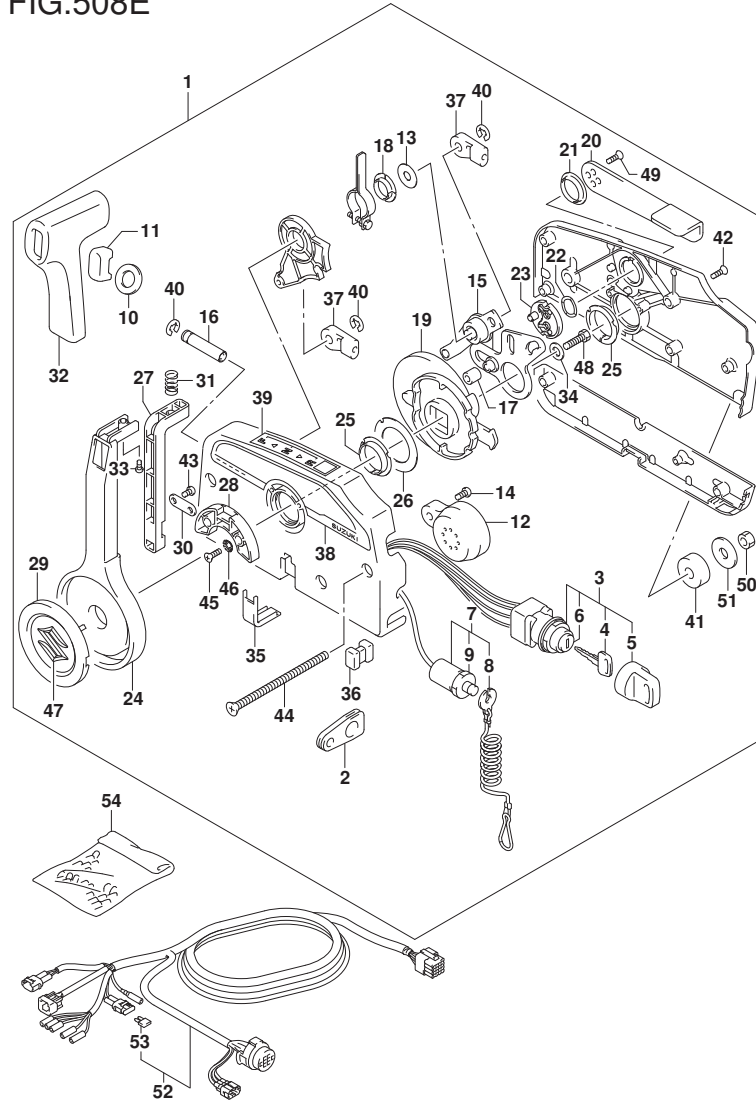
FIG.508E (2-E-10) OPT:REMOTE CONTROL (DF30AQ P01)



REF NO.	PART NO.	DESCRIPTION	Q'TY	REMARKS
1	67200-94J20	REMOTE CONTROL ASSY	1	
2	36628-92E00	..GROMMET, WIRING HARNESS	1	
3	37110-94J02	..SWITCH ASSY, IGNITION	1	
4-1	37141-99E00	..KEY (931)	2	
4-2	37141-99E10	..KEY (932)	2	
4-3	37141-99E20	..KEY (933)	2	
4-4	37141-99E30	..KEY (934)	2	
4-5	37141-99E40	..KEY (935)	2	
4-6	37141-99E50	..KEY (936)	2	
4-7	37141-99E60	..KEY (937)	2	
4-8	37141-99E70	..KEY (938)	2	
4-9	37141-99E80	..KEY (939)	2	
4-10	37141-99E90	..KEY (940)	2	
4-11	37141-99EA0	..KEY (941)	2	
4-12	37141-99EB0	..KEY (942)	2	
5	37143-99E00	..CAP, KEY	2	
6	37149-93J00	..CAP, CYLINDER BODY	1	
7	37820-93J04	..SWITCH ASSY, EMERGENCY	1	
8	37823-92E01	..PLATE ASSY, EMERGENCY SWITCH LOCK	1	
9	37826-92J00	..NUT	1	
10	37859-90J00	..SPACER	1	
11	37864-94J10	..CAP, PTT SW	1	
12	38500-93J00	..BUZZER ASSY, WARNING	1	
13	67212-95600	..WASHER	1	
14	67214-92E00	..SCREW (5X20)	1	
15	67220-95630	..PLATE ASSY	1	
16	67223-99E10	..KNOB, BRAKE ADJUST	1	
17	67229-95600	..ROLLER	1	
18	67232-95600	..BUSH	1	
19	67238-87D00	..GEAR, DRIVE	1	
20	67241-99E10	..LEVER, FREE THROTTLE	1	
21	67243-95600	..BUSH	1	
22	67244-95600	..WAVE WASHER	1	

FIG.508E

FIG.508E (2-E-11) OPT:REMOTE CONTROL (DF30AQ P01)



REF NO.	PART NO.	DESCRIPTION	Q'TY	REMARKS
23	67245-95600	.DRUM, FREE THROTTLE	1	
24	67251-99E20	.LEVER, HANDLE	1	
25	67252-95600	.BUSH	2	
26	67253-95600	.WASHER	1	
27	67255-99E10	.ARM, LOCK	1	
28	67256-95600	.HOLDER, NEUTRAL LOCK	1	
29	67257-99E10	.CAP, LEVER	1	
30	67258-99E00	.BRACKET	1	
31	67259-87D00	.SPRING, NEUTRAL ARM	1	
32	67261-99E10	.GRIP	1	
33	67296-94310	.SCREW	1	
34	67264-95600	.WASHER	1	
35	67267-93J00	.COVER, WIRE	1	
36	67273-95600	.SPACER	1	
37	67275-95600	.END, CABLE	2	
38	67282-94L00	.DECAL, REMOCON SIDE	1	
39	67284-94L00	.MARK, HANDLE LEVER	1	
40	67292-94300	.E RING	3	
41	67294-95600	.SPACER	3	
42	67296-90J10	.SCREW, REAR COVER	5	
43	67296-94300	.SCREW (4X10)	2	
44	67296-95600	.SCREW	3	
45	67296-95610	.SCREW	2	
46	67297-95600	.WASHER	2	
47	77811-54GB0-0PG	.EMBLEM, REAR MARK S (CHROME)	1	
48	09100-08232	.BOLT (8X30)	1	
49	09126-05003	.SCREW (5X12)	2	
50	09140-06020	.NUT	3	
51	09160-06104	.WASHER (6.5X24X2)	3	
52	36620-94L00	WIRE ASSY, REMOTE CONTROL	1	
53	09481-10501	.FUSE (10A)	1	
54	36990-87D00	TERMINAL & SLEEVE SET	1	

FIG.513A

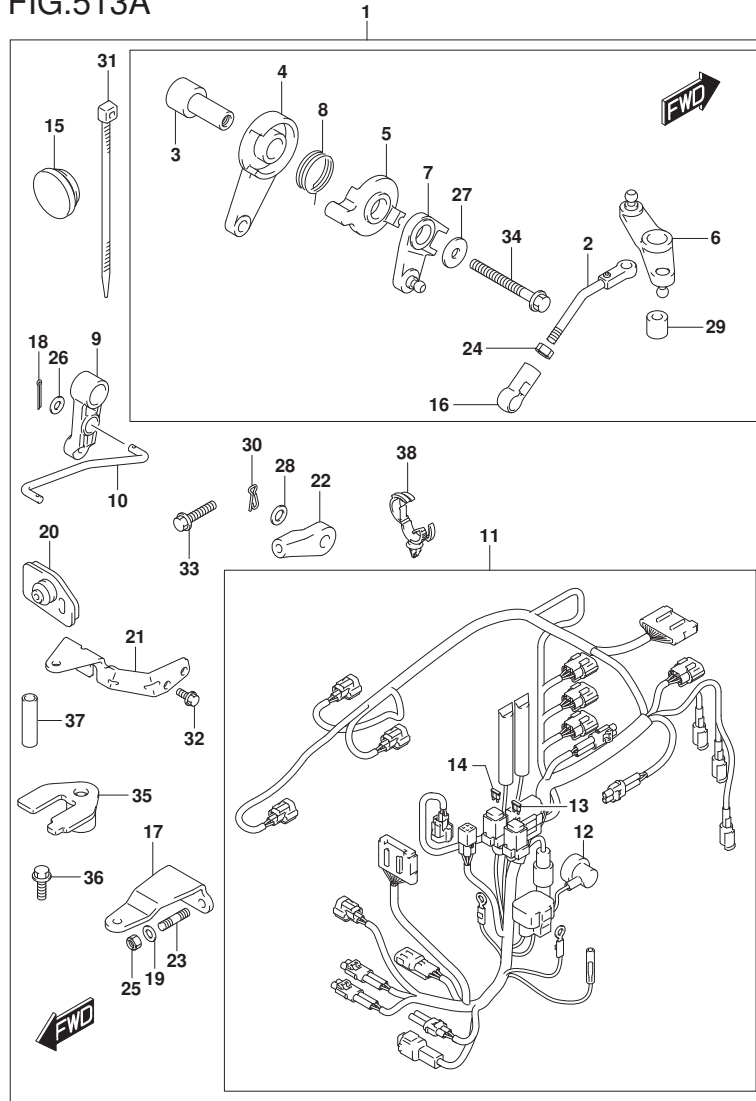
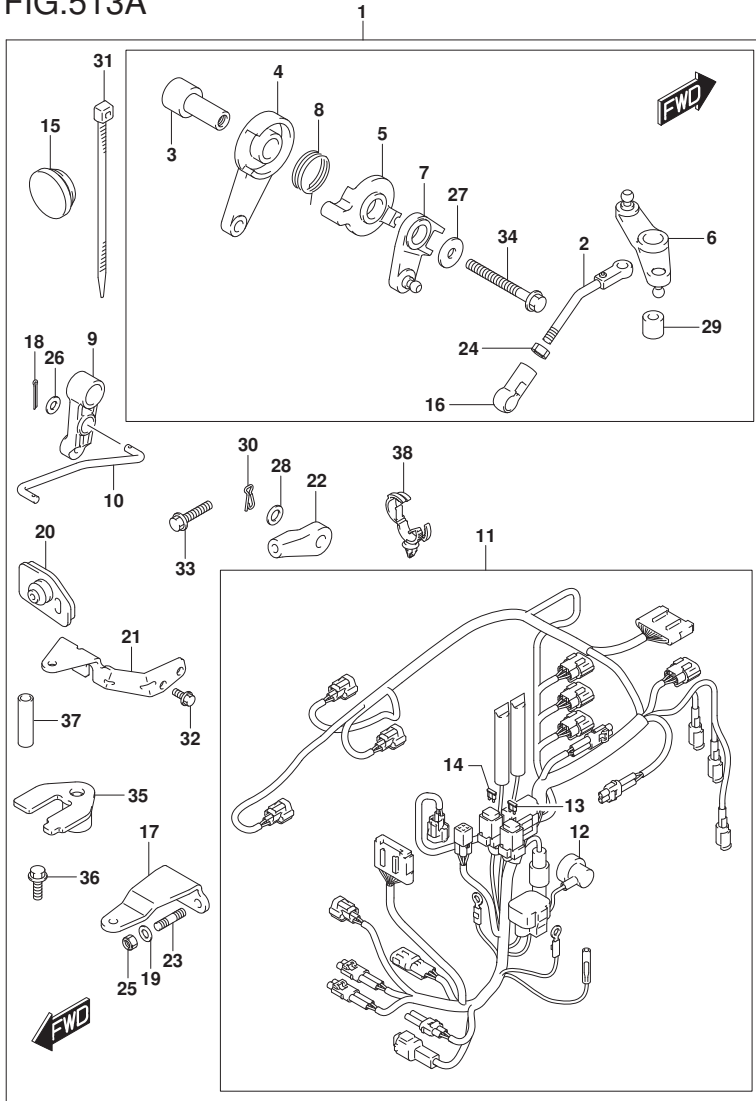


FIG.513A (2-E-12) OPT:REMOTE CONTROL PARTS (DF25A P01)

REF NO.	PART NO.	DESCRIPTION	Q'TY	REMARKS
1	67130-94L00	PARTS SET, R/CON	1	
2	13510-94L00	.ROD, THROTTLE NO.1	1	
3	19116-94L00	.BRACKET, THROTTLE LEVER	1	
4	19120-99J11	.LEVER, THROTTLE CONTROL	1	
5	19122-99J00	.LEVER, INTERLINK THROTTLE NO.2	1	
6	19140-94L00	.LEVER, THROTTLE NO.2	1	
7	19140-94L20	.LEVER, THROTTLE CONTROL NO.2	1	
8	19185-99J00	.SPRING, THROTTLE LEVER	1	
9	21110-94L00	.LEVER, CLUTCH CONTROL	1	
10	23115-94L10	.LINK, CLUTCH LEVER	1	
11	36610-94L20	.HARNES ASSY, WIRING	1	
12	36618-43410	..CAP, OIL PRESSURE SWITCH	1	
13	09481-10501	..FUSE (10A)	1	
14	09481-30501	..FUSE (30A)	1	
15	37163-89L00	.PLUG, STARTING SWITCH HOLE	1	
16	19131-95502	.CONNECTOR	1	
17	43755-94L00	.ATTACHMENT, STEERING BRACKET	1	
18	09204-01002	.PIN	2	
19	09160-08082	.WASHER (8.5X16X1.2)	2	
20	61124-94L10	.GROMMET, R/CON CABLE	1	
21	67341-94L00	.HOLDER, R/CON CABLE	1	
22	67467-89J01	.CONNECTOR	2	
23	09108-08286	.STUD BOLT	2	
24	09140-05005	.NUT	1	
25	09159-08059	.NUT	2	
26	09160-05029	.WASHER (5.5X12X0.8)	2	
27	09160-06046	.WASHER (6.5X20X1.5)	2	
28	09160-06055	.WASHER (7X12X1)	2	
29	09180-06230	.SPACER (6.2X12.6X12.5)	1	
30	09385-06012	.CLIP	2	
31	09407-14407	.CLAMP (L:145)	2	
32	01547-06167	.BOLT	2	
33	01550-06257	.BOLT	1	

FIG.513A

FIG.513A (2-E-13) OPT:REMOTE CONTROL PARTS (DF25A P01)



REF NO.	PART NO.	DESCRIPTION	Q'TY	REMARKS
34	01550-06557	.BOLT	1	
35	67343-94L00	.STOPPER, R/CON CABLE	1	
36	09116-06225	.BOLT (6X15)	1	
37	09352-70103-600	.HOSE (7X10.2X600)	2	L:600->14
38	09403-20308	.CLAMP	1	

FIG.513B

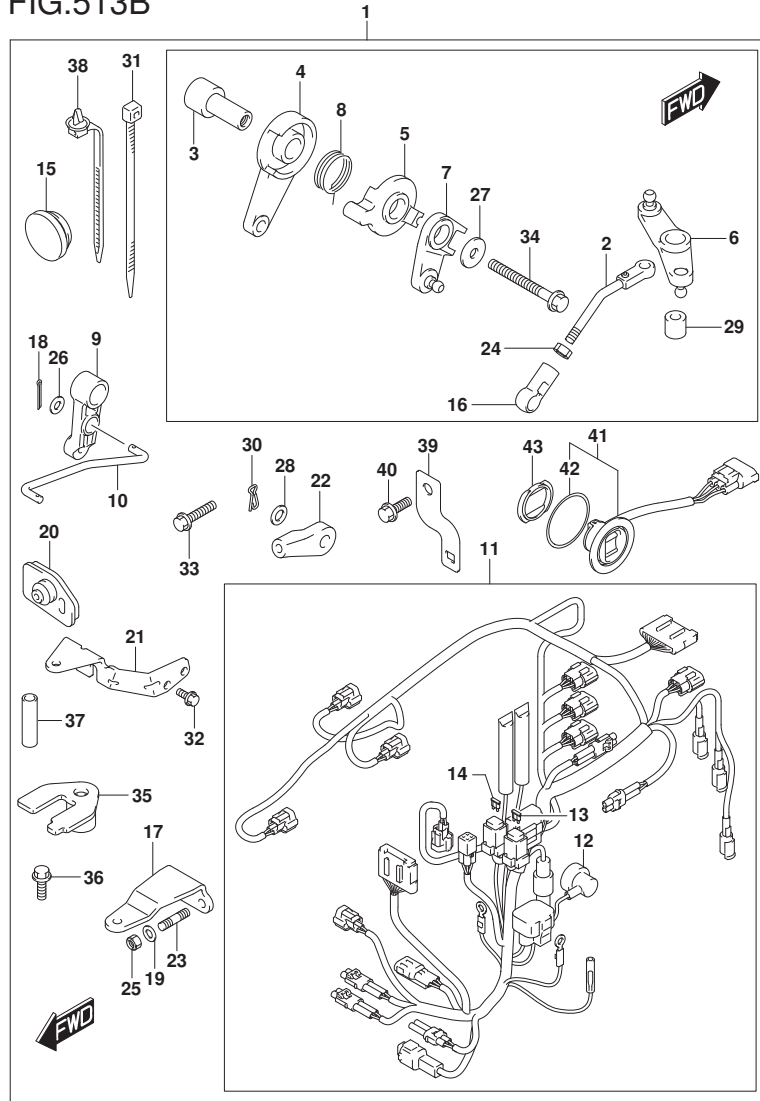


FIG.513B (2-E-14) OPT:REMOTE CONTROL PARTS (DF25ATH P01)

REF NO.	PART NO.	DESCRIPTION	Q'TY	REMARKS
1	67130-94L10	PARTS SET, R/CON	1	
2	13510-94L00	.ROD, THROTTLE NO.1	1	
3	19116-94L00	.BRACKET, THROTTLE LEVER	1	
4	19120-99J11	.LEVER, THROTTLE CONTROL	1	
5	19122-99J00	.LEVER, INTERLINK THROTTLE NO.2	1	
6	19140-94L00	.LEVER, THROTTLE NO.2	1	
7	19140-94L20	.LEVER, THROTTLE CONTROL NO.2	1	
8	19185-99J00	.SPRING, THROTTLE LEVER	1	
9	21110-94L00	.LEVER, CLUTCH CONTROL	1	
10	23115-94L10	.LINK, CLUTCH LEVER	1	
11	36610-94L41	.HARNES ASSY, WIRING	1	
12	36618-43410	..CAP, OIL PRESSURE SWITCH	1	
13	09481-10501	..FUSE (10A)	1	
14	09481-30501	..FUSE (30A)	1	
15	37163-89L00	.PLUG, STARTING SWITCH HOLE	1	
16	19131-95502	.CONNECTOR	1	
17	43755-94L00	.ATTACHMENT, STEERING BRACKET	1	
18	09204-01002	.PIN	2	
19	09160-08082	.WASHER (8.5X16X1.2)	2	
20	61124-94L10	.GROMMET, R/CON CABLE	1	
21	67341-94L00	.HOLDER, R/CON CABLE	1	
22	67467-89J01	.CONNECTOR	2	
23	09108-08286	.STUD BOLT	2	
24	09140-05005	.NUT	1	
25	09159-08059	.NUT	2	
26	09160-05029	.WASHER (5.5X12X0.8)	2	
27	09160-06046	.WASHER (6.5X20X1.5)	2	
28	09160-06055	.WASHER (7X12X1)	2	
29	09180-06230	.SPACER (6.2X12.6X12.5)	1	
30	09385-06012	.CLIP	2	
31	09407-14407	.CLAMP (L:145)	2	
32	01547-06167	.BOLT	2	
33	01550-06257	.BOLT	1	

FIG.513B

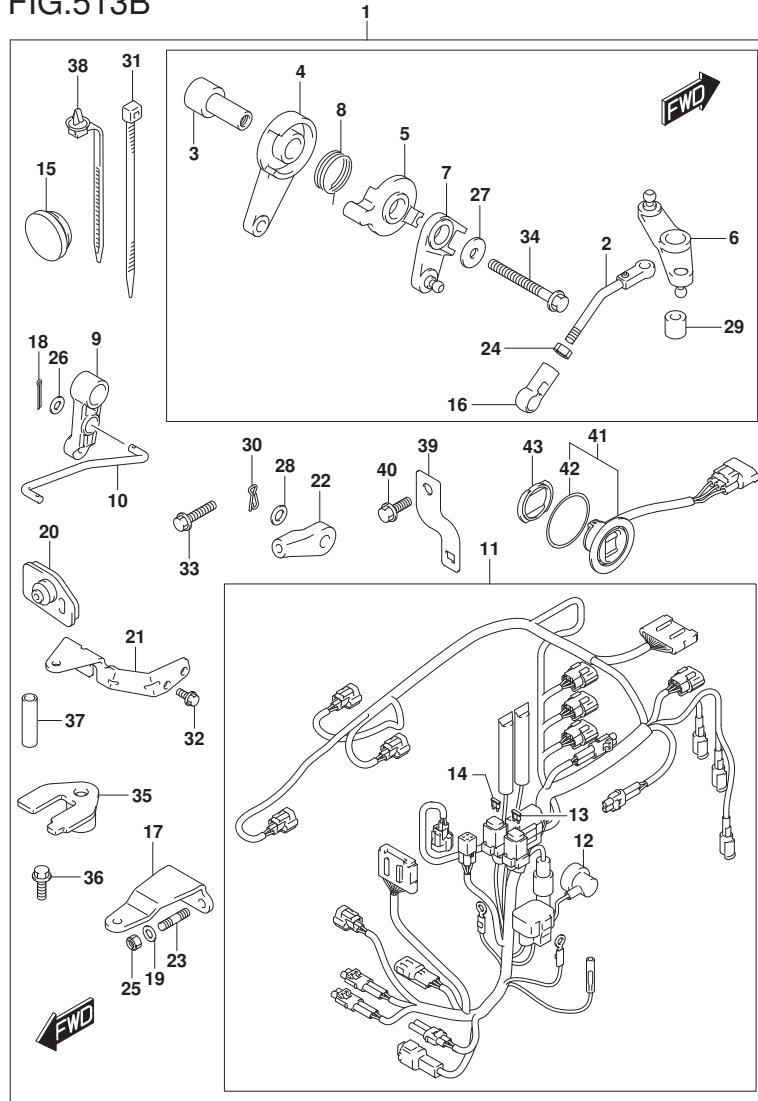


FIG.513B (2-E-15) OPT:REMOTE CONTROL PARTS (DF25ATH P01)

REF NO.	PART NO.	DESCRIPTION	Q'TY	REMARKS
34	01550-06557	.BOLT	1	
35	67343-94L00	.STOPPER, R/CON CABLE	1	
36	09116-06225	.BOLT (6X15)	1	
37	09352-70103-600	.HOSE (7X10.2X600)	2	L:600->14
38	36991-94L00	.CLAMP, HARNESS	1	
39	36617-94L00	.BRACKET, HARNESS	1	
40	01550-06167	.BOLT	1	
41	37850-92J00	.SWITCH ASSY,PTT	1	
42	37856-92J00	.TAPE, PTT SWITCH	1	
43	37857-92J00	.BUSH, PTT SWITCH	1	

FIG.513C

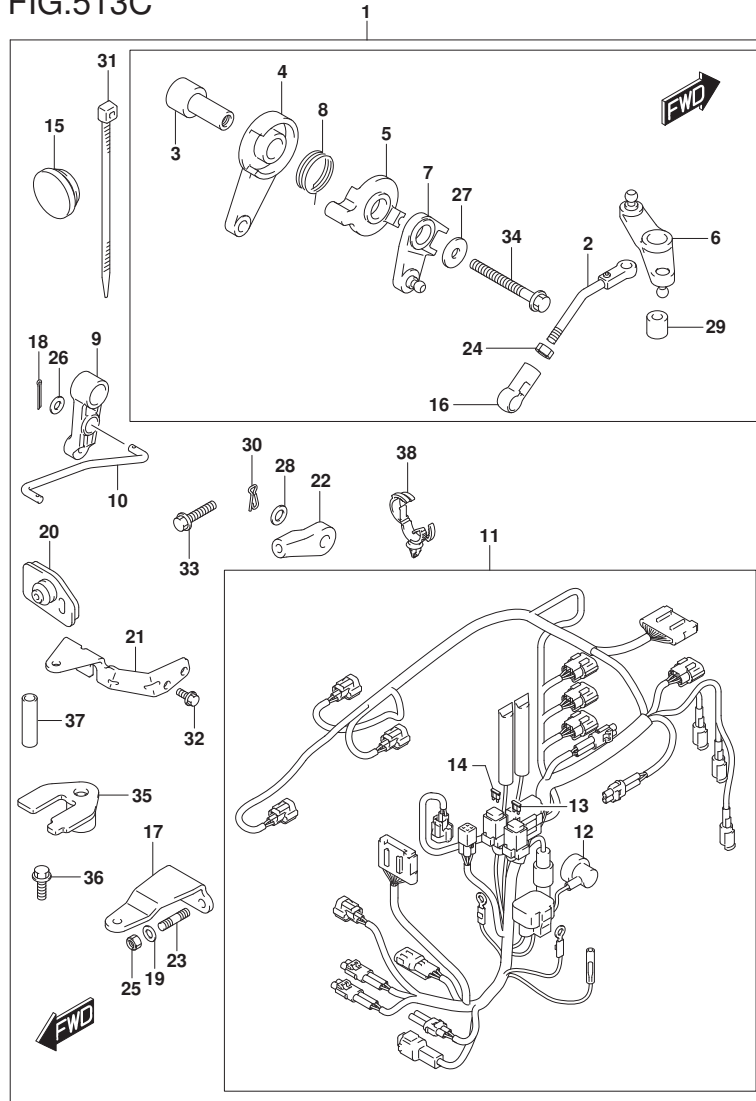


FIG.513C (2-F-2) OPT:REMOTE CONTROL PARTS (DF30A P40)

REF NO.	PART NO.	DESCRIPTION	Q'TY	REMARKS
1	67130-94L00	PARTS SET, R/CON	1	
2	13510-94L00	.ROD, THROTTLE NO.1	1	
3	19116-94L00	.BRACKET, THROTTLE LEVER	1	
4	19120-99J11	.LEVER, THROTTLE CONTROL	1	
5	19122-99J00	.LEVER, INTERLINK THROTTLE NO.2	1	
6	19140-94L00	.LEVER, THROTTLE NO.2	1	
7	19140-94L20	.LEVER, THROTTLE CONTROL NO.2	1	
8	19185-99J00	.SPRING, THROTTLE LEVER	1	
9	21110-94L00	.LEVER, CLUTCH CONTROL	1	
10	23115-94L10	.LINK, CLUTCH LEVER	1	
11	36610-94L20	.HARNES ASSY, WIRING	1	
12	36618-43410	..CAP, OIL PRESSURE SWITCH	1	
13	09481-10501	..FUSE (10A)	1	
14	09481-30501	..FUSE (30A)	1	
15	37163-89L00	.PLUG, STARTING SWITCH HOLE	1	
16	19131-95502	.CONNECTOR	1	
17	43755-94L00	.ATTACHMENT, STEERING BRACKET	1	
18	09204-01002	.PIN	2	
19	09160-08082	.WASHER (8.5X16X1.2)	2	
20	61124-94L10	.GROMMET, R/CON CABLE	1	
21	67341-94L00	.HOLDER, R/CON CABLE	1	
22	67467-89J01	.CONNECTOR	2	
23	09108-08286	.STUD BOLT	2	
24	09140-05005	.NUT	1	
25	09159-08059	.NUT	2	
26	09160-05029	.WASHER (5.5X12X0.8)	2	
27	09160-06046	.WASHER (6.5X20X1.5)	2	
28	09160-06055	.WASHER (7X12X1)	2	
29	09180-06230	.SPACER (6.2X12.6X12.5)	1	
30	09385-06012	.CLIP	2	
31	09407-14407	.CLAMP (L:145)	2	
32	01547-06167	.BOLT	2	
33	01550-06257	.BOLT	1	

FIG.513C

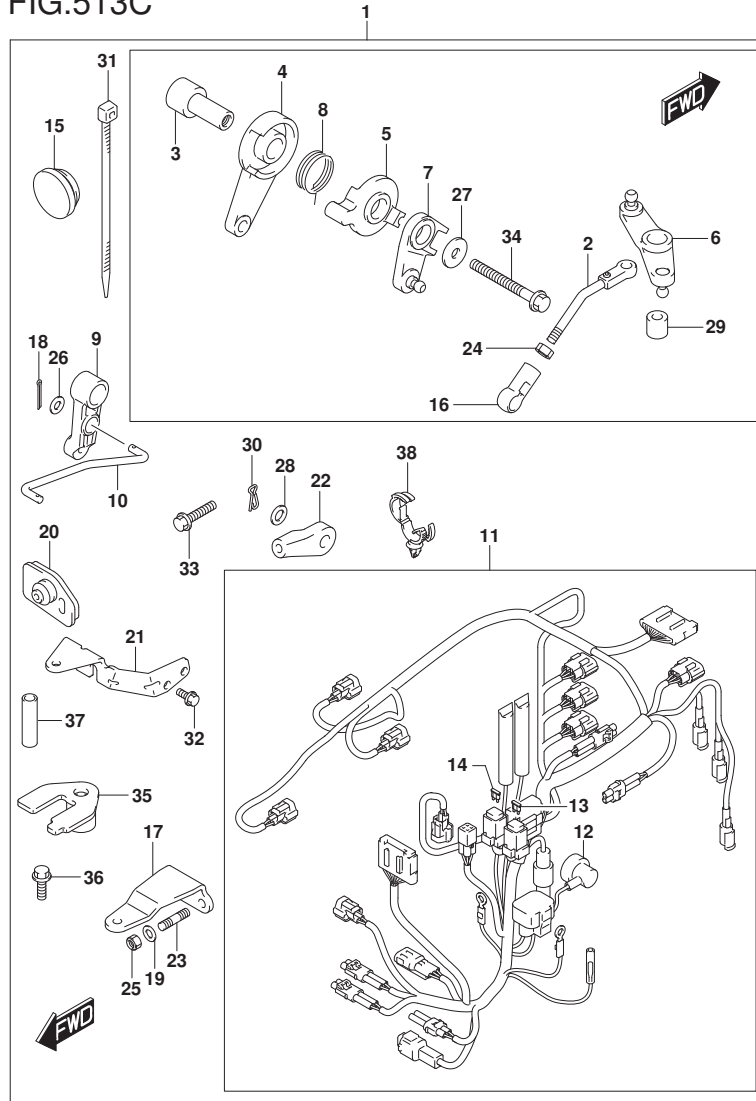


FIG.513C (2-F-3) OPT:REMOTE CONTROL PARTS (DF30A P40)

REF NO.	PART NO.	DESCRIPTION	Q'TY	REMARKS
34	01550-06557	.BOLT	1	
35	67343-94L00	.STOPPER, R/CON CABLE	1	
36	09116-06225	.BOLT (6X15)	1	
37	09352-70103-600	.HOSE (7X10.2X600)	2	L:600->14
38	09403-20308	.CLAMP	1	

FIG.513D

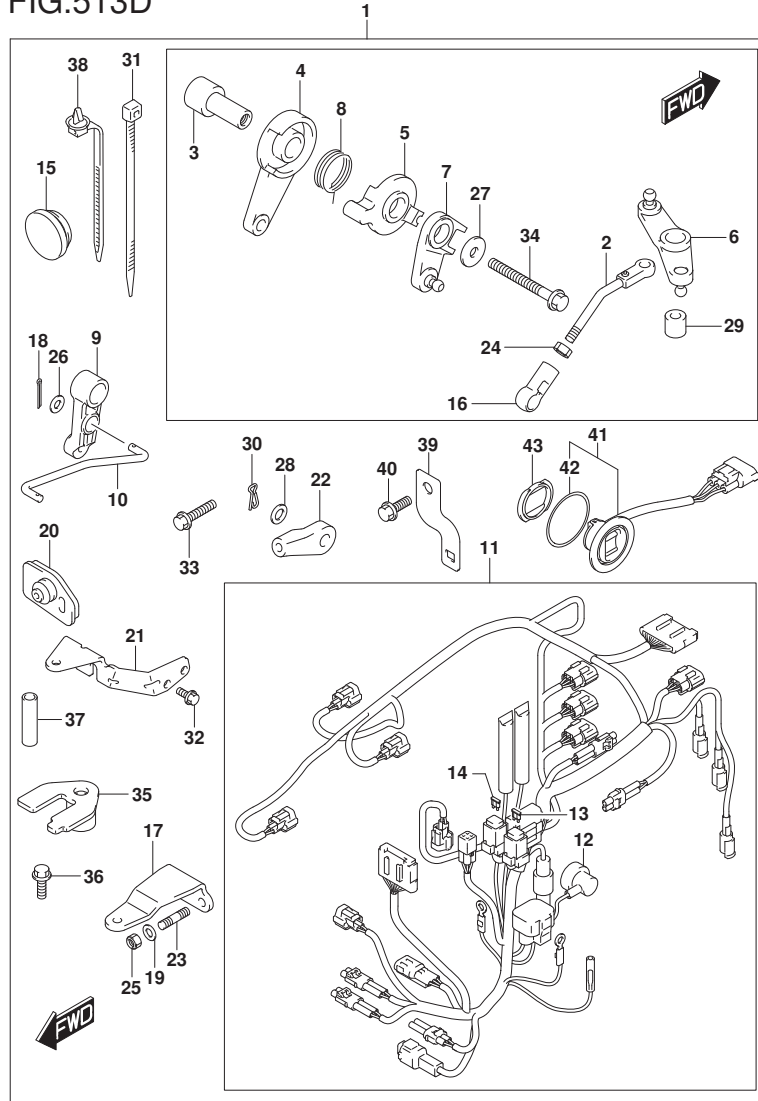


FIG.513D (2-F-4) OPT:REMOTE CONTROL PARTS (DF30ATH P01)

REF NO.	PART NO.	DESCRIPTION	Q'TY	REMARKS
1	67130-94L10	PARTS SET, R/CON	1	
2	13510-94L00	.ROD, THROTTLE NO.1	1	
3	19116-94L00	.BRACKET, THROTTLE LEVER	1	
4	19120-99J11	.LEVER, THROTTLE CONTROL	1	
5	19122-99J00	.LEVER, INTERLINK THROTTLE NO.2	1	
6	19140-94L00	.LEVER, THROTTLE NO.2	1	
7	19140-94L20	.LEVER, THROTTLE CONTROL NO.2	1	
8	19185-99J00	.SPRING, THROTTLE LEVER	1	
9	21110-94L00	.LEVER, CLUTCH CONTROL	1	
10	23115-94L10	.LINK, CLUTCH LEVER	1	
11	36610-94L41	.HARNES ASSY, WIRING	1	
12	36618-43410	..CAP, OIL PRESSURE SWITCH	1	
13	09481-10501	..FUSE (10A)	1	
14	09481-30501	..FUSE (30A)	1	
15	37163-89L00	.PLUG, STARTING SWITCH HOLE	1	
16	19131-95502	.CONNECTOR	1	
17	43755-94L00	.ATTACHMENT, STEERING BRACKET	1	
18	09204-01002	.PIN	2	
19	09160-08082	.WASHER (8.5X16X1.2)	2	
20	61124-94L10	.GROMMET, R/CON CABLE	1	
21	67341-94L00	.HOLDER, R/CON CABLE	1	
22	67467-89J01	.CONNECTOR	2	
23	09108-08286	.STUD BOLT	2	
24	09140-05005	.NUT	1	
25	09159-08059	.NUT	2	
26	09160-05029	.WASHER (5.5X12X0.8)	2	
27	09160-06046	.WASHER (6.5X20X1.5)	2	
28	09160-06055	.WASHER (7X12X1)	2	
29	09180-06230	.SPACER (6.2X12.6X12.5)	1	
30	09385-06012	.CLIP	2	
31	09407-14407	.CLAMP (L:145)	2	
32	01547-06167	.BOLT	2	
33	01550-06257	.BOLT	1	

FIG.513D

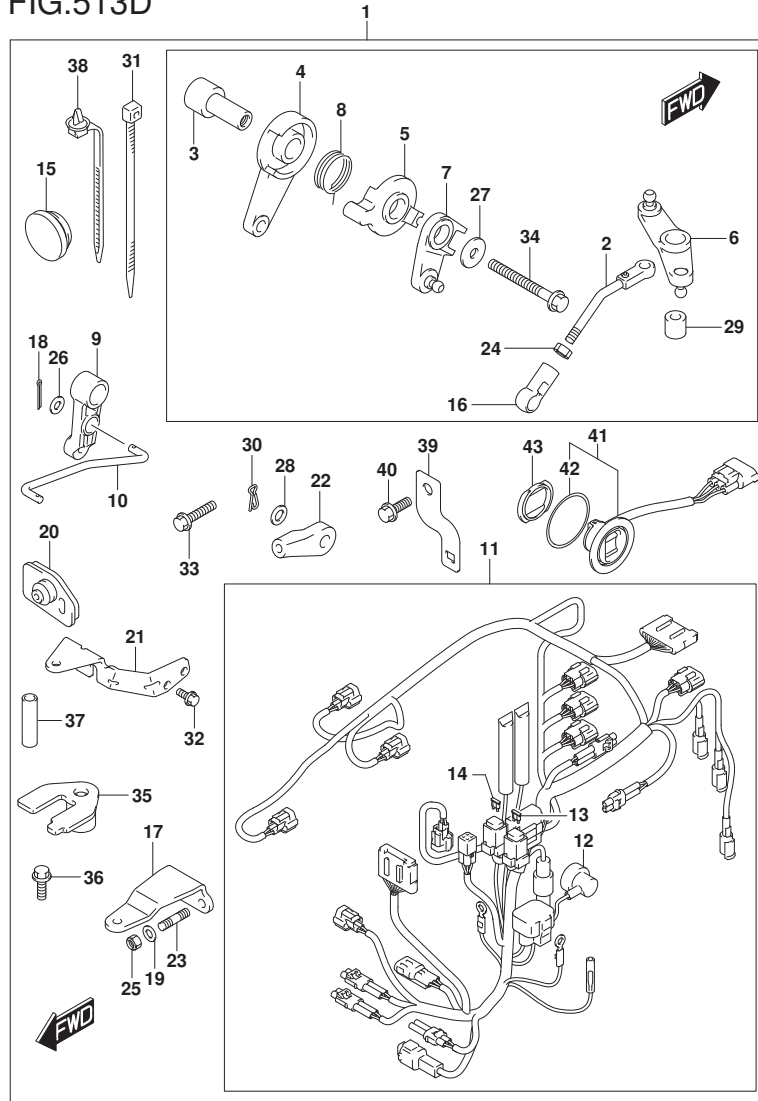


FIG.513D (2-F-5) OPT:REMOTE CONTROL PARTS (DF30ATH P01)

REF NO.	PART NO.	DESCRIPTION	Q'TY	REMARKS
34	01550-06557	.BOLT	1	
35	67343-94L00	.STOPPER, R/CON CABLE	1	
36	09116-06225	.BOLT (6X15)	1	
37	09352-70103-600	.HOSE (7X10.2X600)	2	L:600->14
38	36991-94L00	.CLAMP, HARNESS	1	
39	36617-94L00	.BRACKET, HARNESS	1	
40	01550-06167	.BOLT	1	
41	37850-92J00	.SWITCH ASSY,PTT	1	
42	37856-92J00	.TAPE, PTT SWITCH	1	
43	37857-92J00	.BUSH, PTT SWITCH	1	

FIG.513E

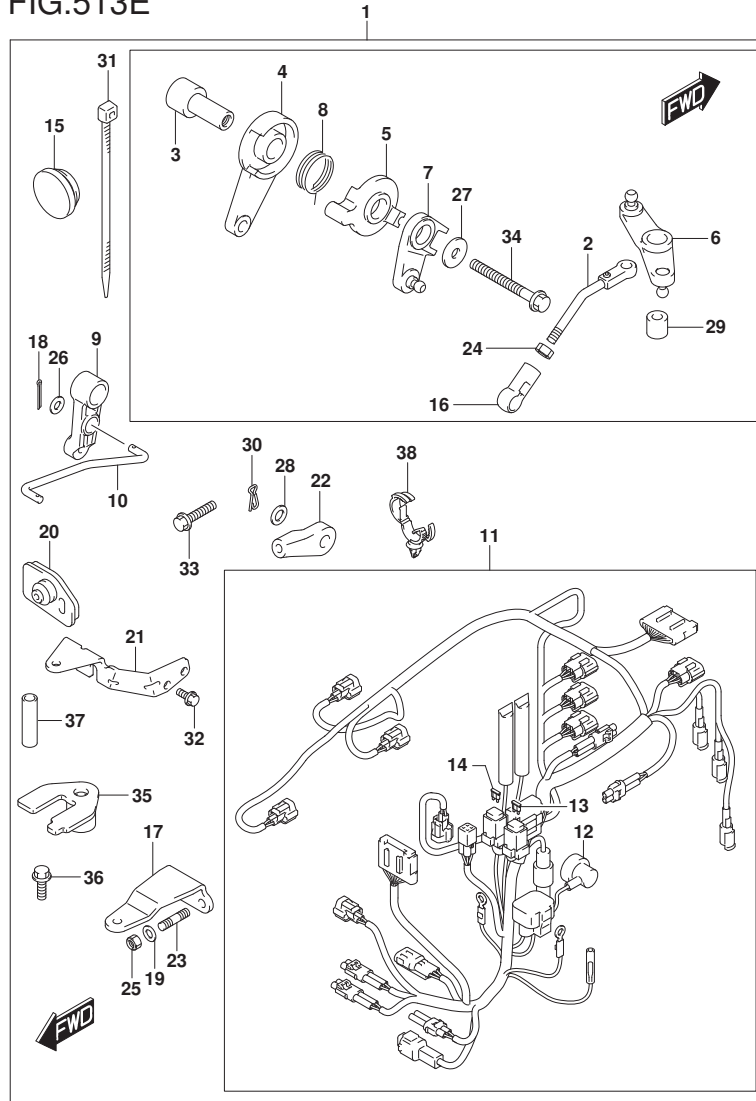


FIG.513E (2-F-6) OPT:REMOTE CONTROL PARTS (DF30AQ P01)

REF NO.	PART NO.	DESCRIPTION	Q'TY	REMARKS
1	67130-94L00	PARTS SET, R/CON	1	
2	13510-94L00	.ROD, THROTTLE NO.1	1	
3	19116-94L00	.BRACKET, THROTTLE LEVER	1	
4	19120-99J11	.LEVER, THROTTLE CONTROL	1	
5	19122-99J00	.LEVER, INTERLINK THROTTLE NO.2	1	
6	19140-94L00	.LEVER, THROTTLE NO.2	1	
7	19140-94L20	.LEVER, THROTTLE CONTROL NO.2	1	
8	19185-99J00	.SPRING, THROTTLE LEVER	1	
9	21110-94L00	.LEVER, CLUTCH CONTROL	1	
10	23115-94L10	.LINK, CLUTCH LEVER	1	
11	36610-94L20	.HARNES ASSY, WIRING	1	
12	36618-43410	..CAP, OIL PRESSURE SWITCH	1	
13	09481-10501	..FUSE (10A)	1	
14	09481-30501	..FUSE (30A)	1	
15	37163-89L00	.PLUG, STARTING SWITCH HOLE	1	
16	19131-95502	.CONNECTOR	1	
17	43755-94L00	.ATTACHMENT, STEERING BRACKET	1	
18	09204-01002	.PIN	2	
19	09160-08082	.WASHER (8.5X16X1.2)	2	
20	61124-94L10	.GROMMET, R/CON CABLE	1	
21	67341-94L00	.HOLDER, R/CON CABLE	1	
22	67467-89J01	.CONNECTOR	2	
23	09108-08286	.STUD BOLT	2	
24	09140-05005	.NUT	1	
25	09159-08059	.NUT	2	
26	09160-05029	.WASHER (5.5X12X0.8)	2	
27	09160-06046	.WASHER (6.5X20X1.5)	2	
28	09160-06055	.WASHER (7X12X1)	2	
29	09180-06230	.SPACER (6.2X12.6X12.5)	1	
30	09385-06012	.CLIP	2	
31	09407-14407	.CLAMP (L:145)	2	
32	01547-06167	.BOLT	2	
33	01550-06257	.BOLT	1	

FIG.513E

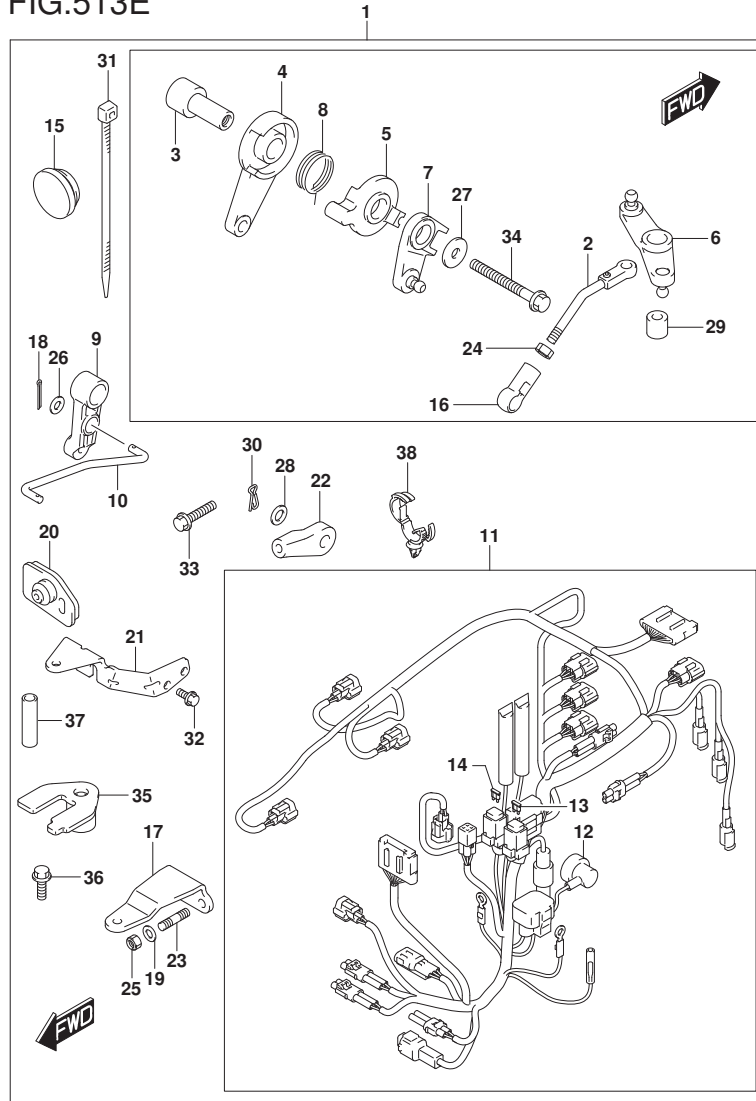


FIG.513E (2-F-7) OPT:REMOTE CONTROL PARTS (DF30AQ P01)

REF NO.	PART NO.	DESCRIPTION	Q'TY	REMARKS
34	01550-06557	.BOLT	1	
35	67343-94L00	.STOPPER, R/CON CABLE	1	
36	09116-06225	.BOLT (6X15)	1	
37	09352-70103-600	.HOSE (7X10.2X600)	2	L:600->14
38	09403-20308	.CLAMP	1	

FIG.515A

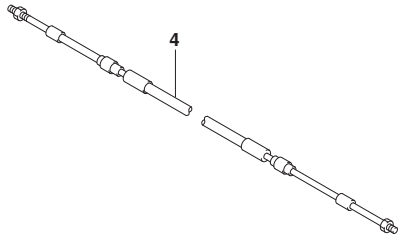
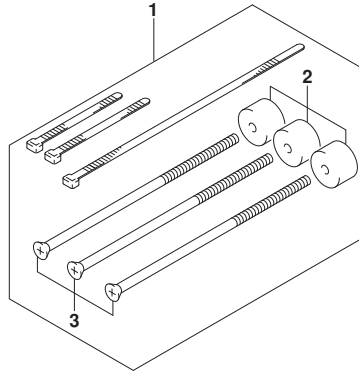


FIG.515A (2-F-8) OPT:REMOCON CABLE

REF NO.	PART NO.	DESCRIPTION	Q'TY	REMARKS
1	67140-95600	ATTACHMENT, TWIN REMOCON KIT	1	
2	67294-95600	.SPACER	3	
3	67296-95621	.SCREW (L:165)	3	
4-1	67320-93J00	CABLE, REMOCON 8F (2.4M)	1	
4-2	67320-93J10	CABLE, REMOCON 10F (3.1M)	1	
4-3	67320-93J20	CABLE, REMOCON 12F (3.7M)	1	
4-4	67320-93J30	CABLE, REMOCON 14F (4.2M)	1	
4-5	67320-93J40	CABLE, REMOCON 16F (4.8M)	1	
4-6	67320-93J50	CABLE, REMOCON 18F (5.4M)	1	
4-7	67320-93J60	CABLE, REMOCON 20F (6.1M)	1	
4-8	67320-93J70	CABLE, REMOCON 22F (6.7M)	1	
4-9	67320-93J80	CABLE, REMOCON 24F (7.3M)	1	

FIG.517A

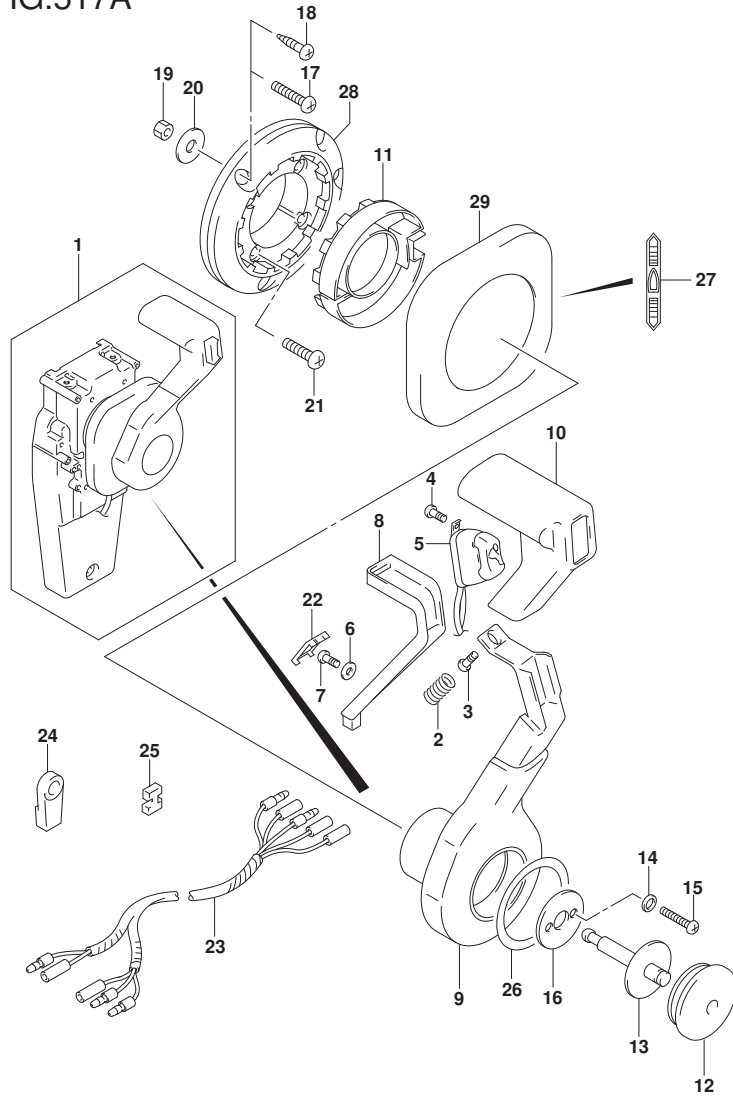


FIG.517A (2-F-9) OPT:CONCEALED REMOCON (1) (DF25AR P01)

REF NO.	PART NO.	DESCRIPTION	Q'TY	REMARKS
1	67200-93J33	REMOTE CONTROL ASSY	1	
2	67298-92E50	.SPRING	1	
3	67296-94310	.SCREW	1	
4	67295-92E10	.SCREW	2	
5	37850-92E27	.SWITCH ASSY, PTT	1	
6	67288-92E60	.WASHER	1	
7	09125-04021	.SCREW (4X20)	1	
8	67255-92E50	.ARM, NEUTRAL LOCK	1	
9	67251-92E50	.LEVER	1	
10	67261-92E50	.GRIP	1	
11	67256-92E50	.HOLDER, NEUTRAL LOCK	1	
12	67257-92E00	.CAP, LEVER	1	
13	67242-92E50	.SHAFT, FREE ACC	1	
14	67288-92E20	.WASHER	6	
15	67296-88D10	.SCREW (5X16)	4	
16	67288-92E70	.WASHER	1	
17	67296-88D20	.SCREW	3	
18	67295-92E50	.SCREW	3	
19	67287-92E50	.NUT	3	
20	09160-06104	.WASHER (6.5X24X2)	3	
21	67296-88D30	.SCREW	4	
22	67254-92E50	.COVER, LOCK ARM	1	
23	36890-93J00	.WIRING ASSY	1	
24	67275-95600	.END CABLE	2	
25	67273-95600	.SPACER	1	
26	67283-92E50	.DECAL, LEVER	1	
27	67284-92E50	.DECAL, CLUTCH	1	
28	67274-92E50	.BASE	1	
29	67211-92E50	.COVER	1	

FIG.517B

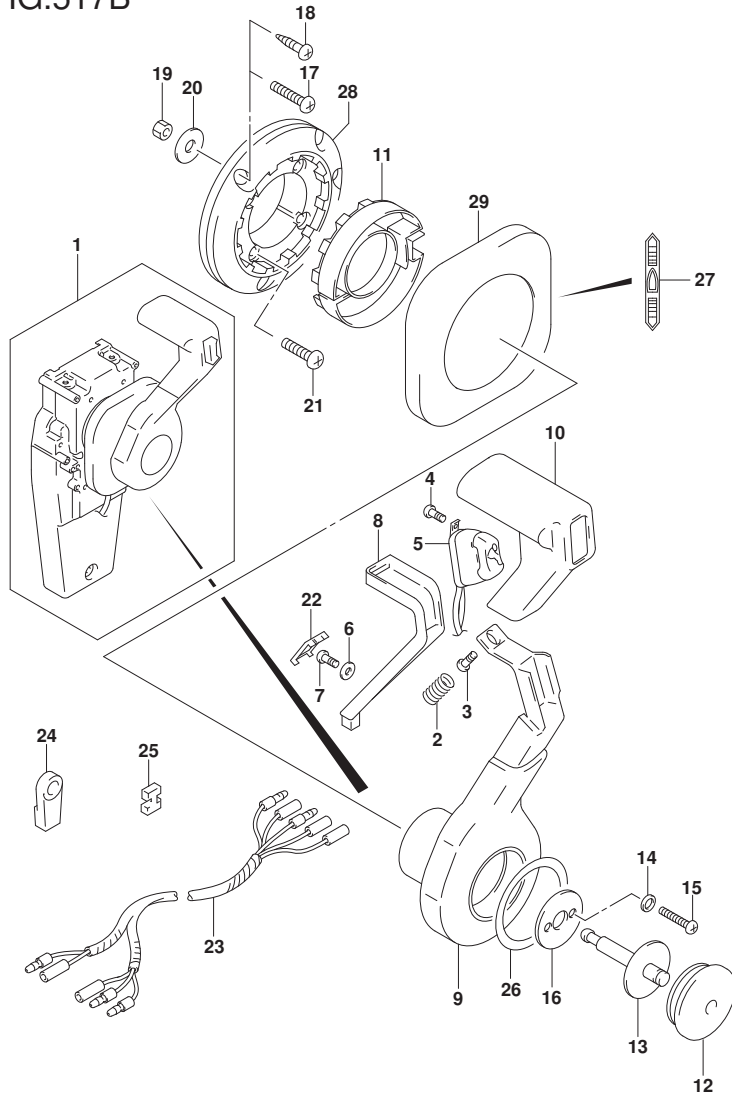


FIG.517B (2-F-10) OPT:CONCEALED REMOCON (1) (DF25AT P01)

REF NO.	PART NO.	DESCRIPTION	Q'TY	REMARKS
1	67200-93J33	REMOTE CONTROL ASSY	1	
2	67298-92E50	.SPRING	1	
3	67296-94310	.SCREW	1	
4	67295-92E10	.SCREW	2	
5	37850-92E27	.SWITCH ASSY, PTT	1	
6	67288-92E60	.WASHER	1	
7	09125-04021	.SCREW (4X20)	1	
8	67255-92E50	.ARM, NEUTRAL LOCK	1	
9	67251-92E50	.LEVER	1	
10	67261-92E50	.GRIP	1	
11	67256-92E50	.HOLDER, NEUTRAL LOCK	1	
12	67257-92E00	.CAP, LEVER	1	
13	67242-92E50	.SHAFT, FREE ACC	1	
14	67288-92E20	.WASHER	6	
15	67296-88D10	.SCREW (5X16)	4	
16	67288-92E70	.WASHER	1	
17	67296-88D20	.SCREW	3	
18	67295-92E50	.SCREW	3	
19	67287-92E50	.NUT	3	
20	09160-06104	.WASHER (6.5X24X2)	3	
21	67296-88D30	.SCREW	4	
22	67254-92E50	.COVER, LOCK ARM	1	
23	36890-93J00	.WIRING ASSY	1	
24	67275-95600	.END CABLE	2	
25	67273-95600	.SPACER	1	
26	67283-92E50	.DECAL, LEVER	1	
27	67284-92E50	.DECAL, CLUTCH	1	
28	67274-92E50	.BASE	1	
29	67211-92E50	.COVER	1	

FIG.517C

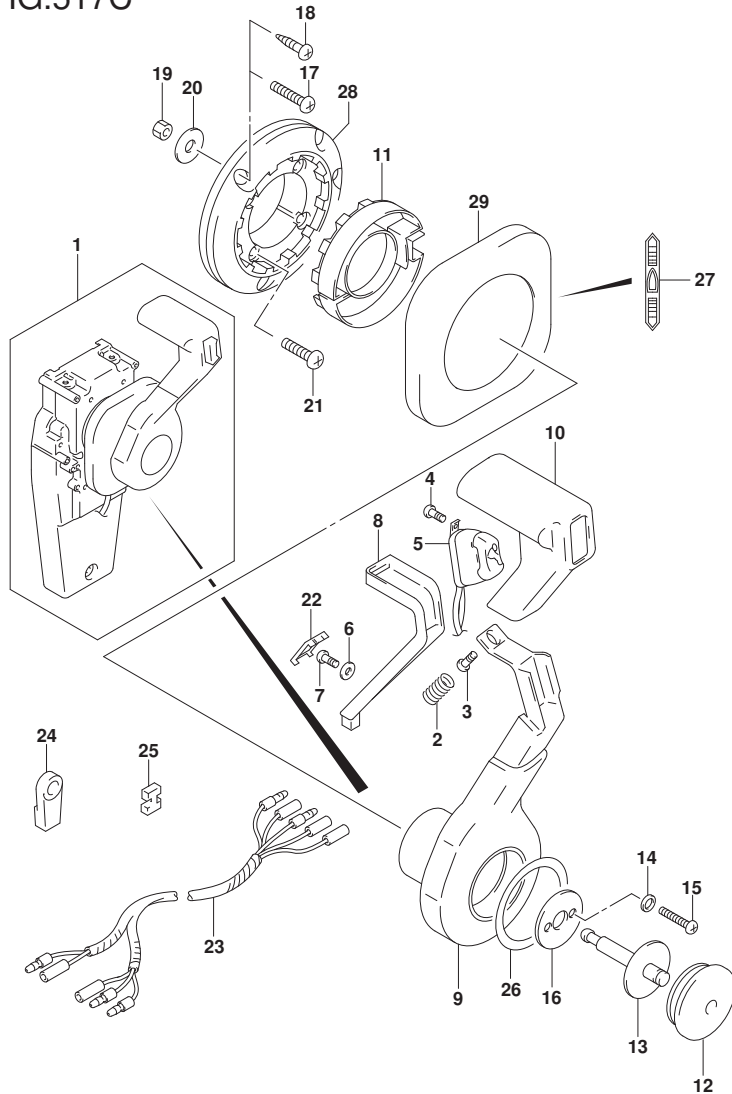


FIG.517C (2-F-11) OPT:CONCEALED REMOCON (1) (DF30AR P01)

REF NO.	PART NO.	DESCRIPTION	Q'TY	REMARKS
1	67200-93J33	REMOTE CONTROL ASSY	1	
2	67298-92E50	.SPRING	1	
3	67296-94310	.SCREW	1	
4	67295-92E10	.SCREW	2	
5	37850-92E27	.SWITCH ASSY, PTT	1	
6	67288-92E60	.WASHER	1	
7	09125-04021	.SCREW (4X20)	1	
8	67255-92E50	.ARM, NEUTRAL LOCK	1	
9	67251-92E50	.LEVER	1	
10	67261-92E50	.GRIP	1	
11	67256-92E50	.HOLDER, NEUTRAL LOCK	1	
12	67257-92E00	.CAP, LEVER	1	
13	67242-92E50	.SHAFT, FREE ACC	1	
14	67288-92E20	.WASHER	6	
15	67296-88D10	.SCREW (5X16)	4	
16	67288-92E70	.WASHER	1	
17	67296-88D20	.SCREW	3	
18	67295-92E50	.SCREW	3	
19	67287-92E50	.NUT	3	
20	09160-06104	.WASHER (6.5X24X2)	3	
21	67296-88D30	.SCREW	4	
22	67254-92E50	.COVER, LOCK ARM	1	
23	36890-93J00	.WIRING ASSY	1	
24	67275-95600	.END CABLE	2	
25	67273-95600	.SPACER	1	
26	67283-92E50	.DECAL, LEVER	1	
27	67284-92E50	.DECAL, CLUTCH	1	
28	67274-92E50	.BASE	1	
29	67211-92E50	.COVER	1	

FIG.517D

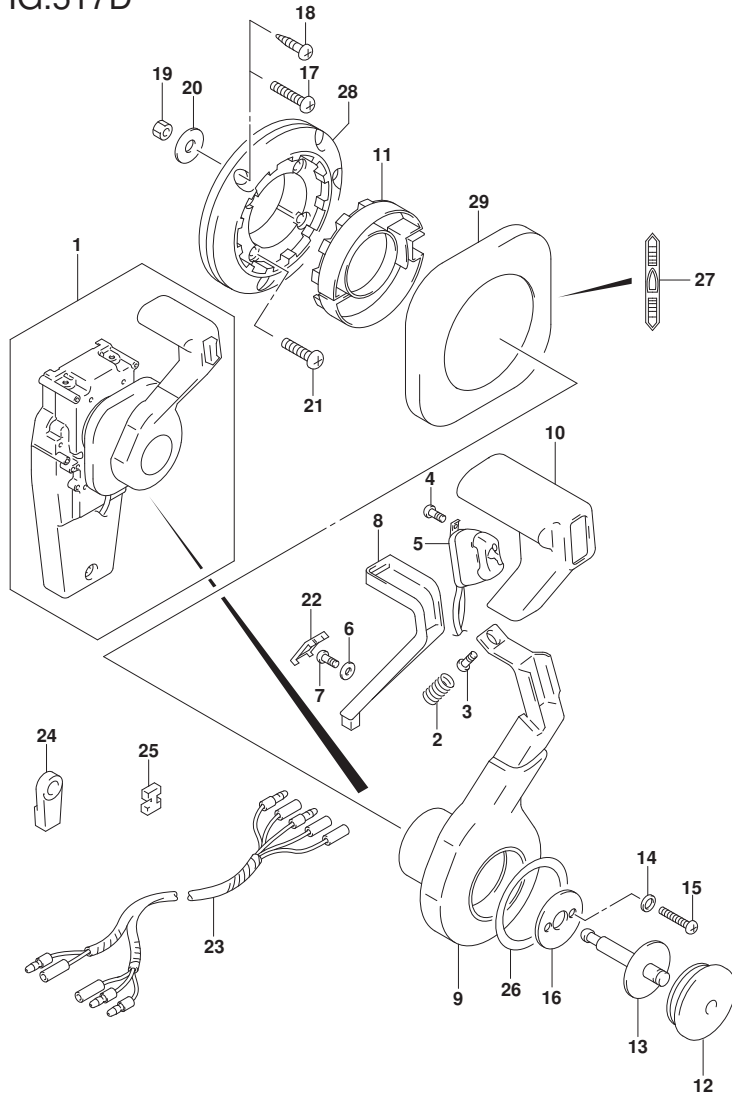


FIG.517D (2-F-12) OPT:CONCEALED REMOCON (1) (DF30AT P01)

REF NO.	PART NO.	DESCRIPTION	Q'TY	REMARKS
1	67200-93J33	REMOTE CONTROL ASSY	1	
2	67298-92E50	.SPRING	1	
3	67296-94310	.SCREW	1	
4	67295-92E10	.SCREW	2	
5	37850-92E27	.SWITCH ASSY, PTT	1	
6	67288-92E60	.WASHER	1	
7	09125-04021	.SCREW (4X20)	1	
8	67255-92E50	.ARM, NEUTRAL LOCK	1	
9	67251-92E50	.LEVER	1	
10	67261-92E50	.GRIP	1	
11	67256-92E50	.HOLDER, NEUTRAL LOCK	1	
12	67257-92E00	.CAP, LEVER	1	
13	67242-92E50	.SHAFT, FREE ACC	1	
14	67288-92E20	.WASHER	6	
15	67296-88D10	.SCREW (5X16)	4	
16	67288-92E70	.WASHER	1	
17	67296-88D20	.SCREW	3	
18	67295-92E50	.SCREW	3	
19	67287-92E50	.NUT	3	
20	09160-06104	.WASHER (6.5X24X2)	3	
21	67296-88D30	.SCREW	4	
22	67254-92E50	.COVER, LOCK ARM	1	
23	36890-93J00	.WIRING ASSY	1	
24	67275-95600	.END CABLE	2	
25	67273-95600	.SPACER	1	
26	67283-92E50	.DECAL, LEVER	1	
27	67284-92E50	.DECAL, CLUTCH	1	
28	67274-92E50	.BASE	1	
29	67211-92E50	.COVER	1	

FIG.518A

FIG.518A (2-F-13) OPT:CONCEALED REMOCON (2) (DF25AR P01)

REF NO.	PART NO.	DESCRIPTION	Q'TY	REMARKS
1	67200-93J33	REMOTE CONTROL ASSY	1	
2	67222-92E50	.DUEL PLATE	1	
3	67292-94300	.E RING	3	
4	67288-92E10	.WASHER	1	
5	67291-92E00	.SNAP RING	2	
6	67223-92E50	.BRAKE ADJUST	1	
7	67221-92E50	.HOLDER ASSY	1	
8	67224-92E50	.BRAKE SHOE ASSY	1	
9	67225-92E50	.DISK, BRAKE	1	
10	09140-06020	.NUT	2	
11	67294-92E00	.SPACER	1	
12	37721-95500	.SWITCH ASSY, NEUTRAL	1	
13	67296-92E11	.SCREW, NEUTRAL SWITCH	2	
14	67226-92E10	.BOLT, STOPPER (REAR)	2	
15	67296-92E20	.SCREW (5X25)	2	
16	67240-92E50	.ARM ASSY, THROTTLE	1	
17	67228-92E00	.WASHER	1	
18	67286-92E00	.BOLT (6X18)	3	
19	67230-92E00	.ARM ASSY, SHIFT	1	
20	09125-05042	.SCREW (5X10)	11	
21	67234-92E00	.GEAR CASE	1	
22	67245-92E00	.LEVER ASSY, THROTTLE	1	
23	67227-92E00	.STOPPER	1	
24	67296-88D10	.SCREW (5X16)	2	
25	67225-92E00	.SPRING	1	
26	09125-04004	.SCREW (4X6)	1	
27	67233-92E00	.SPRING	1	
28	67235-92E00	.PLATE, SHIFT LOCK	1	
29	67239-92E10	.PLATE, SHIFT PIN	1	
30	67236-92E00	.ROLLER	1	
31	67237-92E01	.SPRING	5	
32	67238-92E50	.GEAR, DRIVE	1	
33	67239-92E00	.PIN	1	
34	67246-92E50	.SHAFT, DRIVE	1	

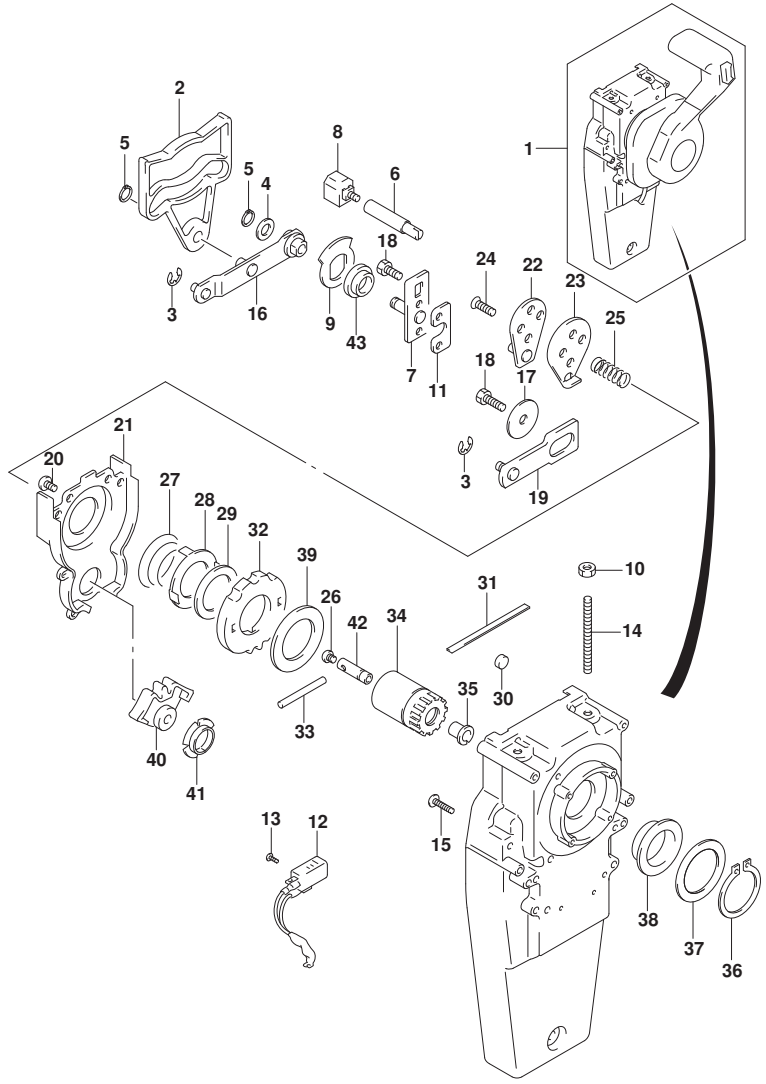


FIG.518A

FIG.518A (2-F-14) OPT:CONCEALED REMOCON (2) (DF25AR P01)

REF NO.	PART NO.	DESCRIPTION	Q'TY	REMARKS
35	67252-92E00	.BUSH	1	
36	67291-92E10	.SNAP RING	1	
37	67253-92E10	.WASHER	1	
38	67252-92E10	.BUSH	1	
39	67253-95600	.WASHER	1	
40	67231-92E00	.GEAR, SHIFT	1	
41	67232-95600	.BUSH	1	
42	67241-92E50	.ROD, FREE ACC	1	
43	67232-92E50	.BUSH	1	

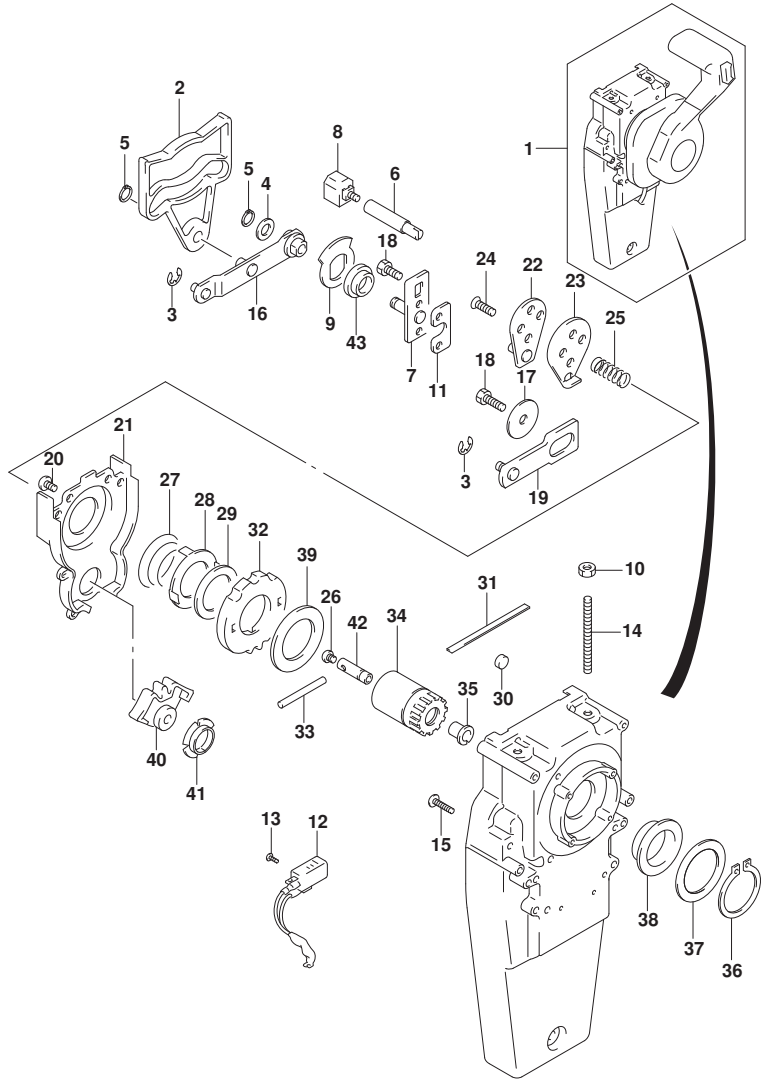


FIG.518B

FIG.518B (2-F-15) OPT:CONCEALED REMOCON (2) (DF25AT P01)

REF NO.	PART NO.	DESCRIPTION	Q'TY	REMARKS
1	67200-93J33	REMOTE CONTROL ASSY	1	
2	67222-92E50	.DUEL PLATE	1	
3	67292-94300	.E RING	3	
4	67288-92E10	.WASHER	1	
5	67291-92E00	.SNAP RING	2	
6	67223-92E50	.BRAKE ADJUST	1	
7	67221-92E50	.HOLDER ASSY	1	
8	67224-92E50	.BRAKE SHOE ASSY	1	
9	67225-92E50	.DISK, BRAKE	1	
10	09140-06020	.NUT	2	
11	67294-92E00	.SPACER	1	
12	37721-95500	.SWITCH ASSY, NEUTRAL	1	
13	67296-92E11	.SCREW, NEUTRAL SWITCH	2	
14	67226-92E10	.BOLT, STOPPER (REAR)	2	
15	67296-92E20	.SCREW (5X25)	2	
16	67240-92E50	.ARM ASSY, THROTTLE	1	
17	67228-92E00	.WASHER	1	
18	67286-92E00	.BOLT (6X18)	3	
19	67230-92E00	.ARM ASSY, SHIFT	1	
20	09125-05042	.SCREW (5X10)	11	
21	67234-92E00	.GEAR CASE	1	
22	67245-92E00	.LEVER ASSY, THROTTLE	1	
23	67227-92E00	.STOPPER	1	
24	67296-88D10	.SCREW (5X16)	2	
25	67225-92E00	.SPRING	1	
26	09125-04004	.SCREW (4X6)	1	
27	67233-92E00	.SPRING	1	
28	67235-92E00	.PLATE, SHIFT LOCK	1	
29	67239-92E10	.PLATE, SHIFT PIN	1	
30	67236-92E00	.ROLLER	1	
31	67237-92E01	.SPRING	5	
32	67238-92E50	.GEAR, DRIVE	1	
33	67239-92E00	.PIN	1	
34	67246-92E50	.SHAFT, DRIVE	1	

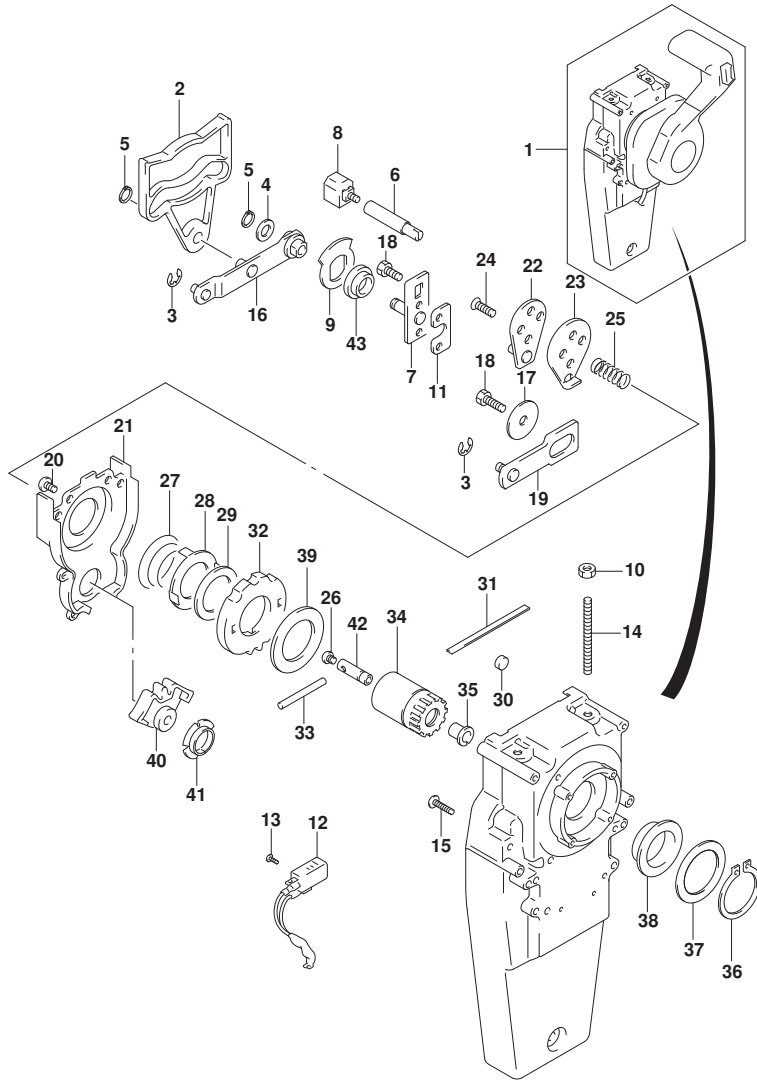


FIG.518B

FIG.518B (2-G-2) OPT:CONCEALED REMOCON (2) (DF25AT P01)

REF NO.	PART NO.	DESCRIPTION	Q'TY	REMARKS
35	67252-92E00	.BUSH	1	
36	67291-92E10	.SNAP RING	1	
37	67253-92E10	.WASHER	1	
38	67252-92E10	.BUSH	1	
39	67253-95600	.WASHER	1	
40	67231-92E00	.GEAR, SHIFT	1	
41	67232-95600	.BUSH	1	
42	67241-92E50	.ROD, FREE ACC	1	
43	67232-92E50	.BUSH	1	

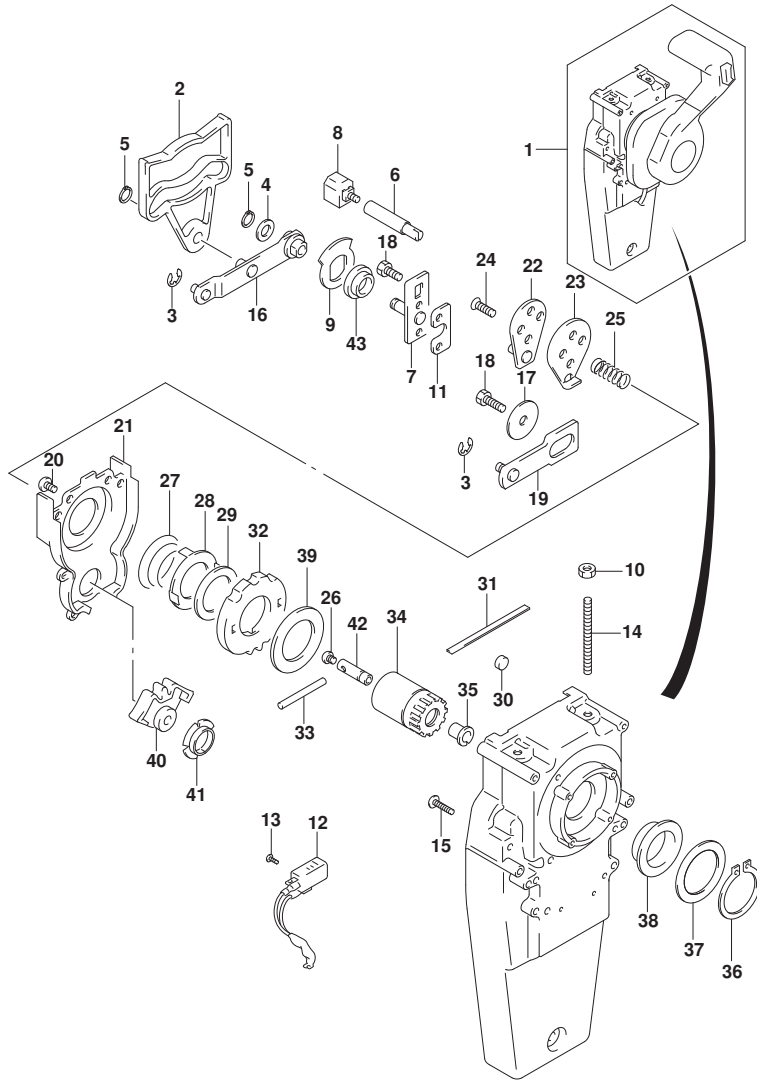


FIG.518C

FIG.518C (2-G-3) OPT:CONCEALED REMOCON (2) (DF30AR P01)

REF NO.	PART NO.	DESCRIPTION	Q'TY	REMARKS
1	67200-93J33	REMOTE CONTROL ASSY	1	
2	67222-92E50	.DUEL PLATE	1	
3	67292-94300	.E RING	3	
4	67288-92E10	.WASHER	1	
5	67291-92E00	.SNAP RING	2	
6	67223-92E50	.BRAKE ADJUST	1	
7	67221-92E50	.HOLDER ASSY	1	
8	67224-92E50	.BRAKE SHOE ASSY	1	
9	67225-92E50	.DISK, BRAKE	1	
10	09140-06020	.NUT	2	
11	67294-92E00	.SPACER	1	
12	37721-95500	.SWITCH ASSY, NEUTRAL	1	
13	67296-92E11	.SCREW, NEUTRAL SWITCH	2	
14	67226-92E10	.BOLT, STOPPER (REAR)	2	
15	67296-92E20	.SCREW (5X25)	2	
16	67240-92E50	.ARM ASSY, THROTTLE	1	
17	67228-92E00	.WASHER	1	
18	67286-92E00	.BOLT (6X18)	3	
19	67230-92E00	.ARM ASSY, SHIFT	1	
20	09125-05042	.SCREW (5X10)	11	
21	67234-92E00	.GEAR CASE	1	
22	67245-92E00	.LEVER ASSY, THROTTLE	1	
23	67227-92E00	.STOPPER	1	
24	67296-88D10	.SCREW (5X16)	2	
25	67225-92E00	.SPRING	1	
26	09125-04004	.SCREW (4X6)	1	
27	67233-92E00	.SPRING	1	
28	67235-92E00	.PLATE, SHIFT LOCK	1	
29	67239-92E10	.PLATE, SHIFT PIN	1	
30	67236-92E00	.ROLLER	1	
31	67237-92E01	.SPRING	5	
32	67238-92E50	.GEAR, DRIVE	1	
33	67239-92E00	.PIN	1	
34	67246-92E50	.SHAFT, DRIVE	1	

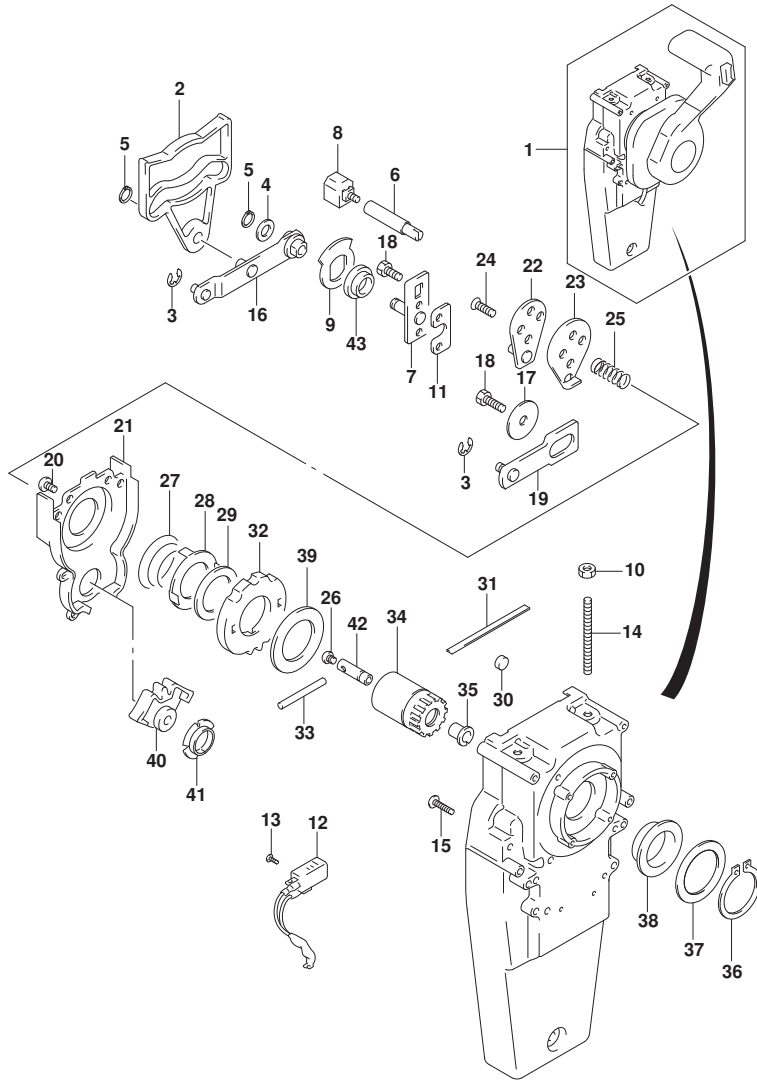


FIG.518C

FIG.518C (2-G-4) OPT:CONCEALED REMOCON (2) (DF30AR P01)

REF NO.	PART NO.	DESCRIPTION	Q'TY	REMARKS
35	67252-92E00	.BUSH	1	
36	67291-92E10	.SNAP RING	1	
37	67253-92E10	.WASHER	1	
38	67252-92E10	.BUSH	1	
39	67253-95600	.WASHER	1	
40	67231-92E00	.GEAR, SHIFT	1	
41	67232-95600	.BUSH	1	
42	67241-92E50	.ROD, FREE ACC	1	
43	67232-92E50	.BUSH	1	

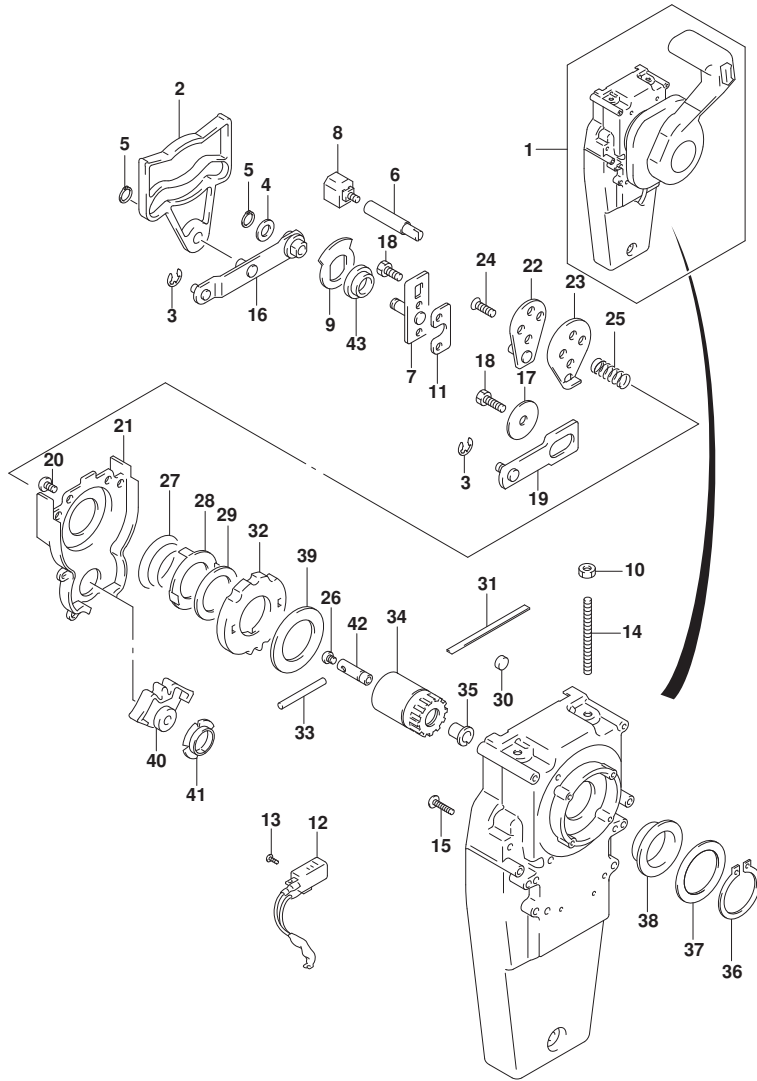


FIG.518D

FIG.518D (2-G-5) OPT:CONCEALED REMOCON (2) (DF30AT P01)

REF NO.	PART NO.	DESCRIPTION	Q'TY	REMARKS
1	67200-93J33	REMOTE CONTROL ASSY	1	
2	67222-92E50	.DUEL PLATE	1	
3	67292-94300	.E RING	3	
4	67288-92E10	.WASHER	1	
5	67291-92E00	.SNAP RING	2	
6	67223-92E50	.BRAKE ADJUST	1	
7	67221-92E50	.HOLDER ASSY	1	
8	67224-92E50	.BRAKE SHOE ASSY	1	
9	67225-92E50	.DISK, BRAKE	1	
10	09140-06020	.NUT	2	
11	67294-92E00	.SPACER	1	
12	37721-95500	.SWITCH ASSY, NEUTRAL	1	
13	67296-92E11	.SCREW, NEUTRAL SWITCH	2	
14	67226-92E10	.BOLT, STOPPER (REAR)	2	
15	67296-92E20	.SCREW (5X25)	2	
16	67240-92E50	.ARM ASSY, THROTTLE	1	
17	67228-92E00	.WASHER	1	
18	67286-92E00	.BOLT (6X18)	3	
19	67230-92E00	.ARM ASSY, SHIFT	1	
20	09125-05042	.SCREW (5X10)	11	
21	67234-92E00	.GEAR CASE	1	
22	67245-92E00	.LEVER ASSY, THROTTLE	1	
23	67227-92E00	.STOPPER	1	
24	67296-88D10	.SCREW (5X16)	2	
25	67225-92E00	.SPRING	1	
26	09125-04004	.SCREW (4X6)	1	
27	67233-92E00	.SPRING	1	
28	67235-92E00	.PLATE, SHIFT LOCK	1	
29	67239-92E10	.PLATE, SHIFT PIN	1	
30	67236-92E00	.ROLLER	1	
31	67237-92E01	.SPRING	5	
32	67238-92E50	.GEAR, DRIVE	1	
33	67239-92E00	.PIN	1	
34	67246-92E50	.SHAFT, DRIVE	1	

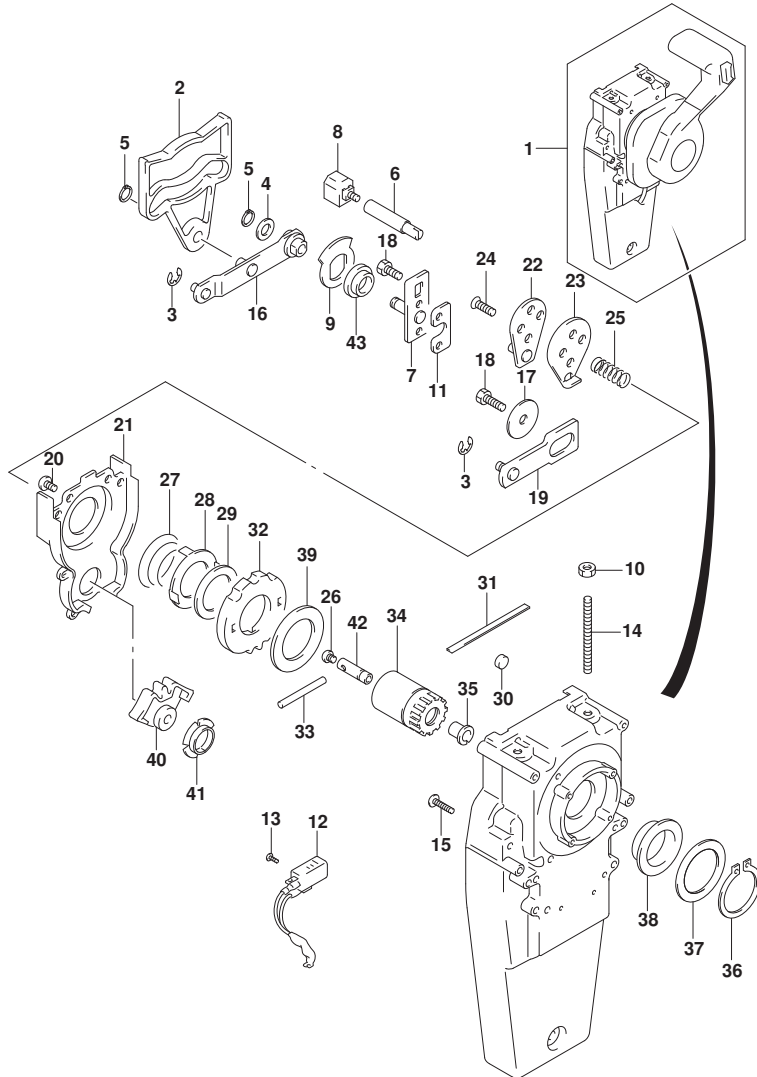


FIG.518D

FIG.518D (2-G-6) OPT:CONCEALED REMOCON (2) (DF30AT P01)

REF NO.	PART NO.	DESCRIPTION	Q'TY	REMARKS
35	67252-92E00	.BUSH	1	
36	67291-92E10	.SNAP RING	1	
37	67253-92E10	.WASHER	1	
38	67252-92E10	.BUSH	1	
39	67253-95600	.WASHER	1	
40	67231-92E00	.GEAR, SHIFT	1	
41	67232-95600	.BUSH	1	
42	67241-92E50	.ROD, FREE ACC	1	
43	67232-92E50	.BUSH	1	

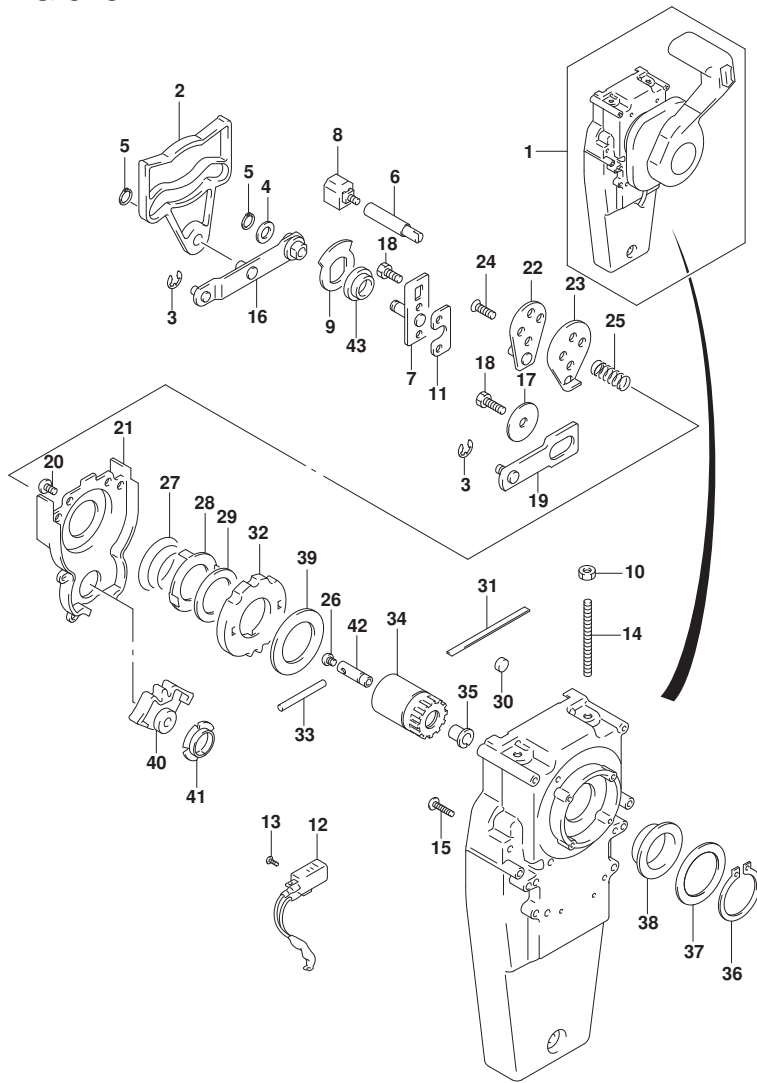


FIG.519A

FIG.519A (2-G-7) OPT:REMOTE CONTROL SPACER

REF NO.	PART NO.	DESCRIPTION	Q'TY	REMARKS
1	67500-93J00	KIT, R/CON SPACER SINGLE	1	
2	09125-05135	.SCREW (5X65)	4	
3	09140-05005	.NUT	4	
4	09160-05029	.WASHER (5.5X12X0.8)	4	

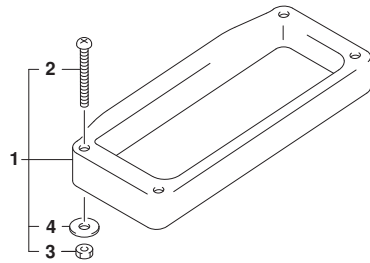


FIG.521A

FIG.521A (2-G-8) OPT:HARNESS (DF25AR P01)

REF NO.	PART NO.	DESCRIPTION	Q'TY	REMARKS
1-1	36620-93J10	WIRE ASSY, REMOCON EXTENSION	1	L:2000
1-2	36620-93J40	WIRE ASSY, REMOCON EXTENSION	1	L:3000

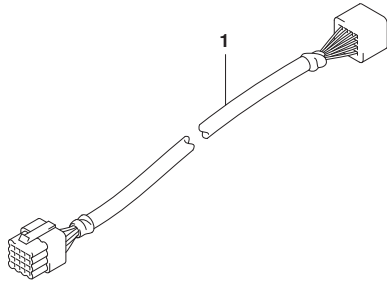


FIG.521B

FIG.521B (2-G-9) OPT:HARNESS (DF25AT P01)

REF NO.	PART NO.	DESCRIPTION	Q'TY	REMARKS
1-1	36620-93J10	WIRE ASSY, REMOCON EXTENSION	1	L:2000
1-2	36620-93J40	WIRE ASSY, REMOCON EXTENSION	1	L:3000

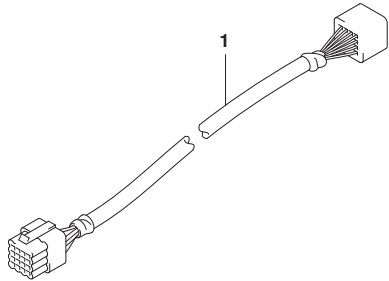


FIG.521C

FIG.521C (2-G-10) OPT:HARNESS (DF30AR P01)

REF NO.	PART NO.	DESCRIPTION	Q'TY	REMARKS
1-1	36620-93J10	WIRE ASSY, REMOCON EXTENSION	1	L:2000
1-2	36620-93J40	WIRE ASSY, REMOCON EXTENSION	1	L:3000

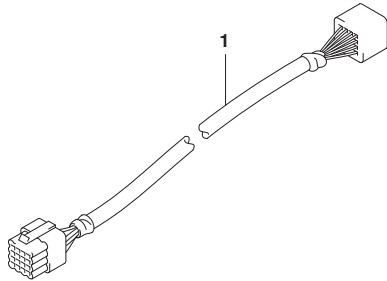


FIG.521D

FIG.521D (2-G-11) OPT:HARNESS (DF30AT P01)

REF NO.	PART NO.	DESCRIPTION	Q'TY	REMARKS
1-1	36620-93J10	WIRE ASSY, REMOCON EXTENSION	1	L:2000
1-2	36620-93J40	WIRE ASSY, REMOCON EXTENSION	1	L:3000

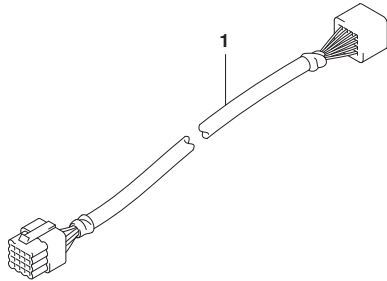


FIG.530A

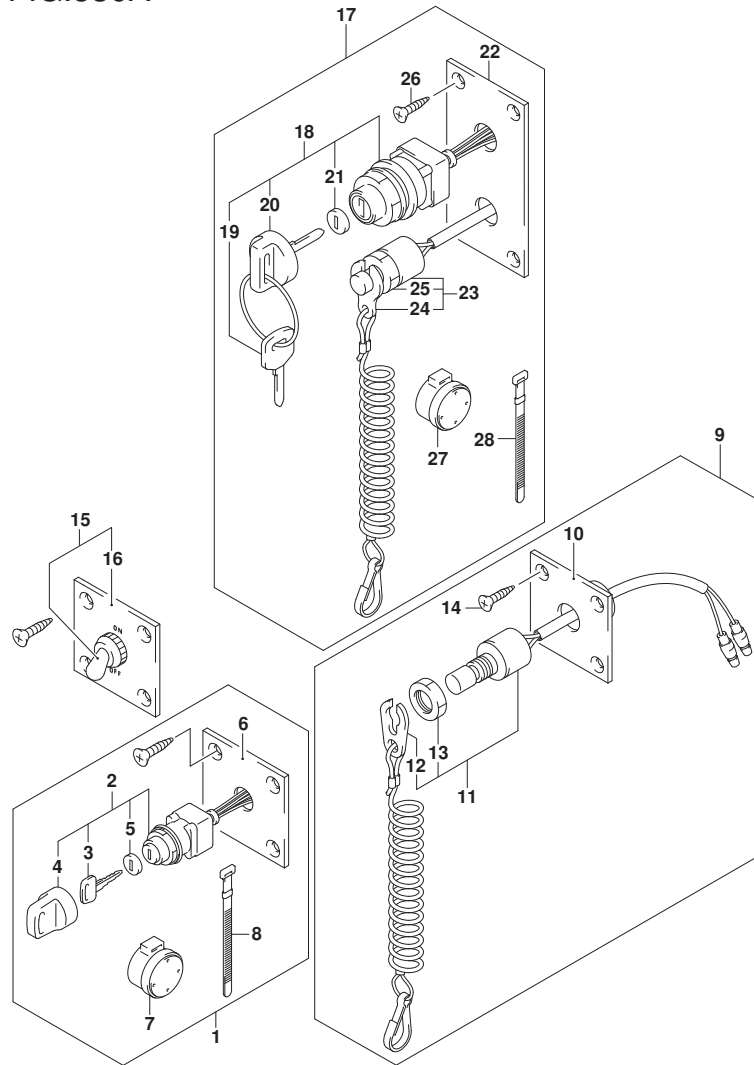
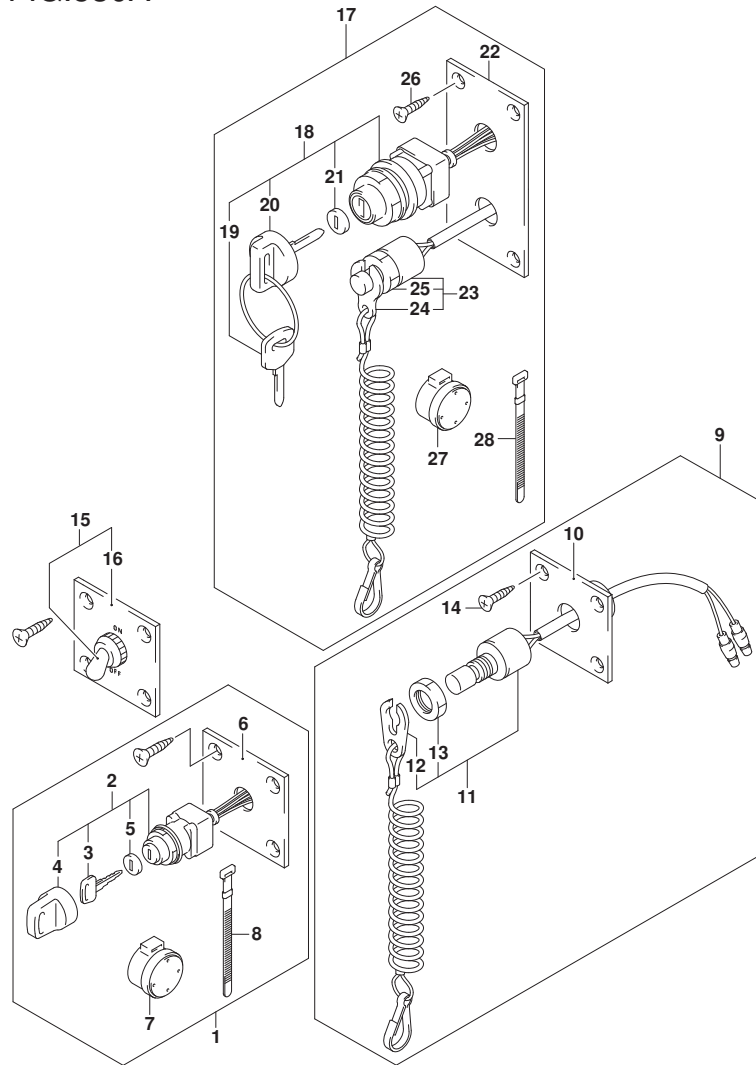


FIG.530A (2-G-12) OPT:SWITCH (DF25AR P01)

REF NO.	PART NO.	DESCRIPTION	Q'TY	REMARKS
1	37100-96J00	PANEL ASSY, IGNITION SW	1	
2	37110-93J01	..SWITCH ASSY, IGNITION	1	
3-1	37141-99E00	..KEY (931)	2	
3-2	37141-99E10	..KEY (932)	2	
3-3	37141-99E20	..KEY (933)	2	
3-4	37141-99E30	..KEY (934)	2	
3-5	37141-99E40	..KEY (935)	2	
3-6	37141-99E50	..KEY (936)	2	
3-7	37141-99E60	..KEY (937)	2	
3-8	37141-99E70	..KEY (938)	2	
3-9	37141-99E80	..KEY (939)	2	
3-10	37141-99E90	..KEY (940)	2	
3-11	37141-99EA0	..KEY (941)	2	
3-12	37141-99EB0	..KEY (942)	2	
4	37143-99E00	..CAP, KEY	1	
5	37149-93J00	..CAP, CYLINDER BODY	1	
6	37139-99E00	..PANEL, IGNITION SW	1	
7	38500-93J90	..BUZZER ASSY, WARNING	1	
8	09407-08401	..CLAMP (L:80)	1	
9	37803-93J04	PANEL ASSY, EMERGENCY SW	1	
10	37825-99E00	..PANEL, EMERGENCY SW	1	
11	37820-93J04	..SWITCH ASSY, EMERGENCY STOP	1	
12	37823-92E01	..PLATE ASSY, EMERGENCY SWITCH LOCK	1	
13	37826-92J00	..NUT	1	
14	03122-05165	..SCREW	4	
15	37210-93J00	PANEL ASSY, LIGHTING SW	1	
16	37212-93J00	..PANEL, LIGHTING SW	1	
17	37100-96J24	PANEL ASSY, ENGINE SW	1	
18	37110-93J01	..SWITCH ASSY, IGNITION	1	
19-1	37141-99E00	..KEY (931)	2	
19-2	37141-99E10	..KEY (932)	2	
19-3	37141-99E20	..KEY (933)	2	
19-4	37141-99E30	..KEY (934)	2	

FIG.530A



DF25A_30A_P01_017_530A
OPT:SWITCH

FIG.530A (2-G-13) OPT:SWITCH (DF25AR P01)

REF NO.	PART NO.	DESCRIPTION	Q'TY	REMARKS
19-5	37141-99E40	..KEY (935)	2	
19-6	37141-99E50	..KEY (936)	2	
19-7	37141-99E60	..KEY (937)	2	
19-8	37141-99E70	..KEY (938)	2	
19-9	37141-99E80	..KEY (939)	2	
19-10	37141-99E90	..KEY (940)	2	
19-11	37141-99EA0	..KEY (941)	2	
19-12	37141-99EB0	..KEY (942)	2	
20	37143-99E00	..CAP, KEY	1	
21	37149-93J00	..CAP, CYLINDER BODY	1	
22	37139-99E20	..PANEL, IGNITION SWITCH	1	
23	37820-93J04	..SWITCH ASSY, EMERGENCY	1	
24	37823-92E01	..PLATE ASSY, EMERGENCY	1	
25	37826-92J00	..NUT	1	
26	03121-0516A	..SCREW	4	
27	38500-93J90	..BUZZER ASSY, WARNING	1	
28	09407-08401	..CLAMP (L:80)	1	

DF25A_30A_P01_017

FIG.530B

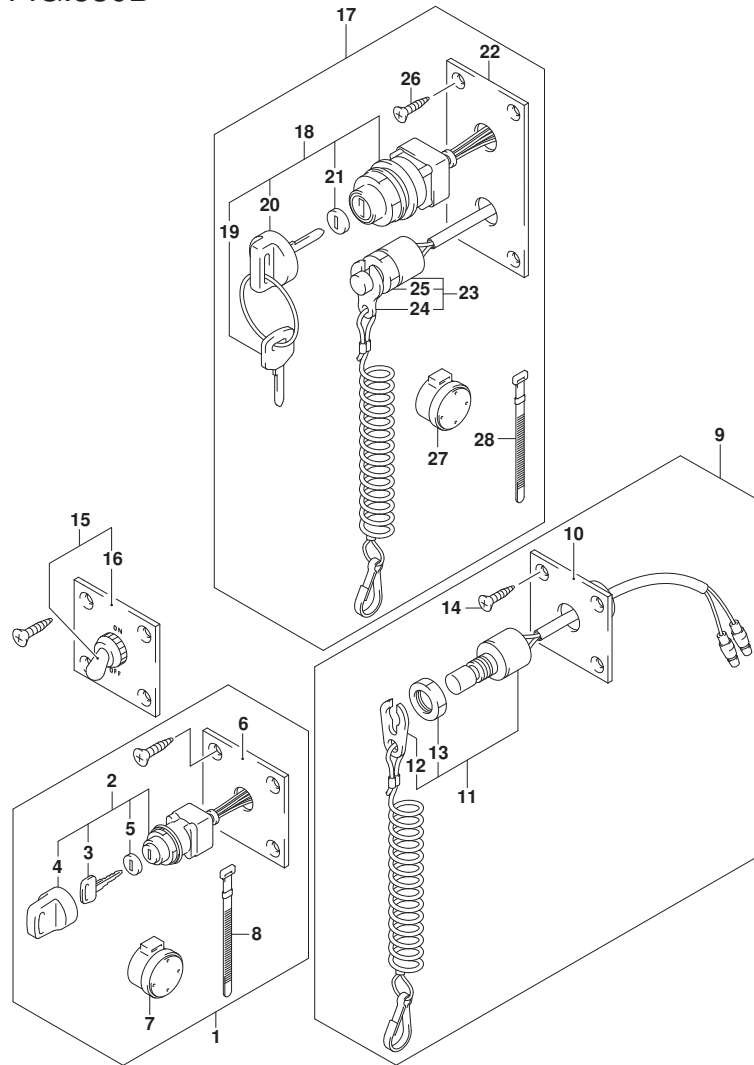


FIG.530B (2-G-14) OPT:SWITCH (DF25AT P01)

REF NO.	PART NO.	DESCRIPTION	Q'TY	REMARKS
1	37100-96J00	PANEL ASSY, IGNITION SW	1	
2	37110-93J01	..SWITCH ASSY, IGNITION	1	
3-1	37141-99E00	..KEY (931)	2	
3-2	37141-99E10	..KEY (932)	2	
3-3	37141-99E20	..KEY (933)	2	
3-4	37141-99E30	..KEY (934)	2	
3-5	37141-99E40	..KEY (935)	2	
3-6	37141-99E50	..KEY (936)	2	
3-7	37141-99E60	..KEY (937)	2	
3-8	37141-99E70	..KEY (938)	2	
3-9	37141-99E80	..KEY (939)	2	
3-10	37141-99E90	..KEY (940)	2	
3-11	37141-99EA0	..KEY (941)	2	
3-12	37141-99EB0	..KEY (942)	2	
4	37143-99E00	..CAP, KEY	1	
5	37149-93J00	..CAP, CYLINDER BODY	1	
6	37139-99E00	..PANEL, IGNITION SW	1	
7	38500-93J90	..BUZZER ASSY, WARNING	1	
8	09407-08401	..CLAMP (L:80)	1	
9	37803-93J04	PANEL ASSY, EMERGENCY SW	1	
10	37825-99E00	..PANEL, EMERGENCY SW	1	
11	37820-93J04	..SWITCH ASSY, EMERGENCY STOP	1	
12	37823-92E01	..PLATE ASSY, EMERGENCY SWITCH LOCK	1	
13	37826-92J00	..NUT	1	
14	03122-05165	..SCREW	4	
15	37210-93J00	PANEL ASSY, LIGHTING SW	1	
16	37212-93J00	..PANEL, LIGHTING SW	1	
17	37100-96J24	PANEL ASSY, ENGINE SW	1	
18	37110-93J01	..SWITCH ASSY, IGNITION	1	
19-1	37141-99E00	..KEY (931)	2	
19-2	37141-99E10	..KEY (932)	2	
19-3	37141-99E20	..KEY (933)	2	
19-4	37141-99E30	..KEY (934)	2	

FIG.530B

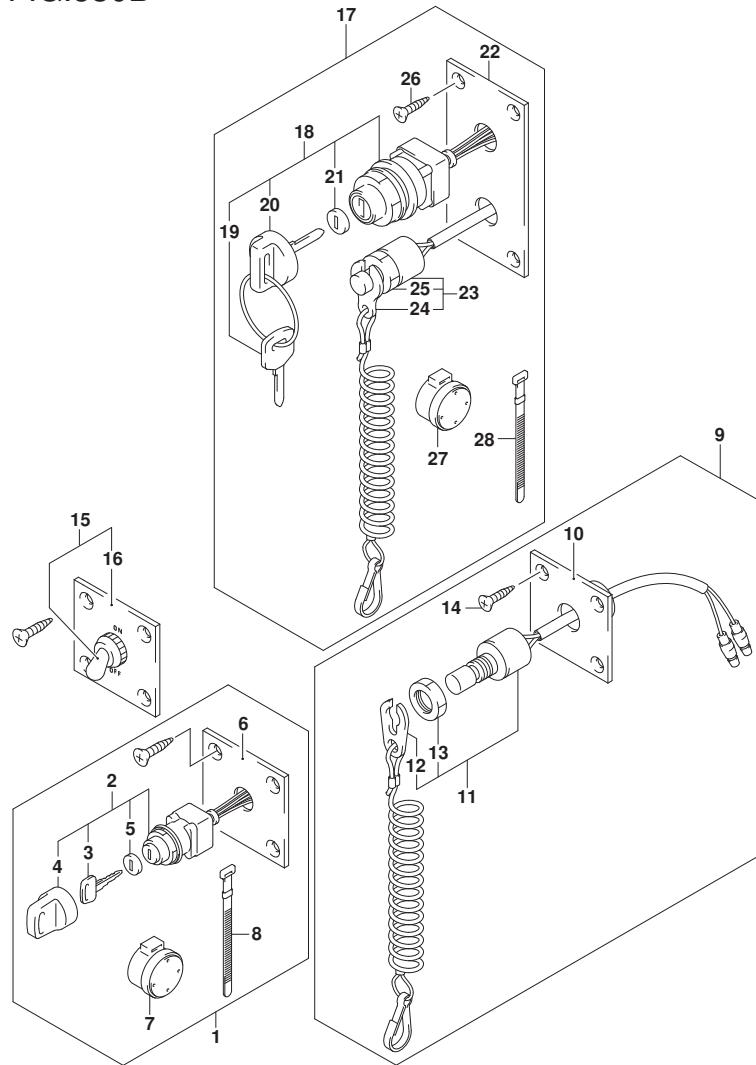


FIG.530B (2-G-15) OPT:SWITCH (DF25AT P01)

REF NO.	PART NO.	DESCRIPTION	Q'TY	REMARKS
19-5	37141-99E40	..KEY (935)	2	
19-6	37141-99E50	..KEY (936)	2	
19-7	37141-99E60	..KEY (937)	2	
19-8	37141-99E70	..KEY (938)	2	
19-9	37141-99E80	..KEY (939)	2	
19-10	37141-99E90	..KEY (940)	2	
19-11	37141-99EA0	..KEY (941)	2	
19-12	37141-99EB0	..KEY (942)	2	
20	37143-99E00	..CAP, KEY	1	
21	37149-93J00	..CAP, CYLINDER BODY	1	
22	37139-99E20	..PANEL, IGNITION SWITCH	1	
23	37820-93J04	..SWITCH ASSY, EMERGENCY	1	
24	37823-92E01	..PLATE ASSY, EMERGENCY	1	
25	37826-92J00	..NUT	1	
26	03121-0516A	..SCREW	4	
27	38500-93J90	..BUZZER ASSY, WARNING	1	
28	09407-08401	..CLAMP (L:80)	1	

FIG.530C

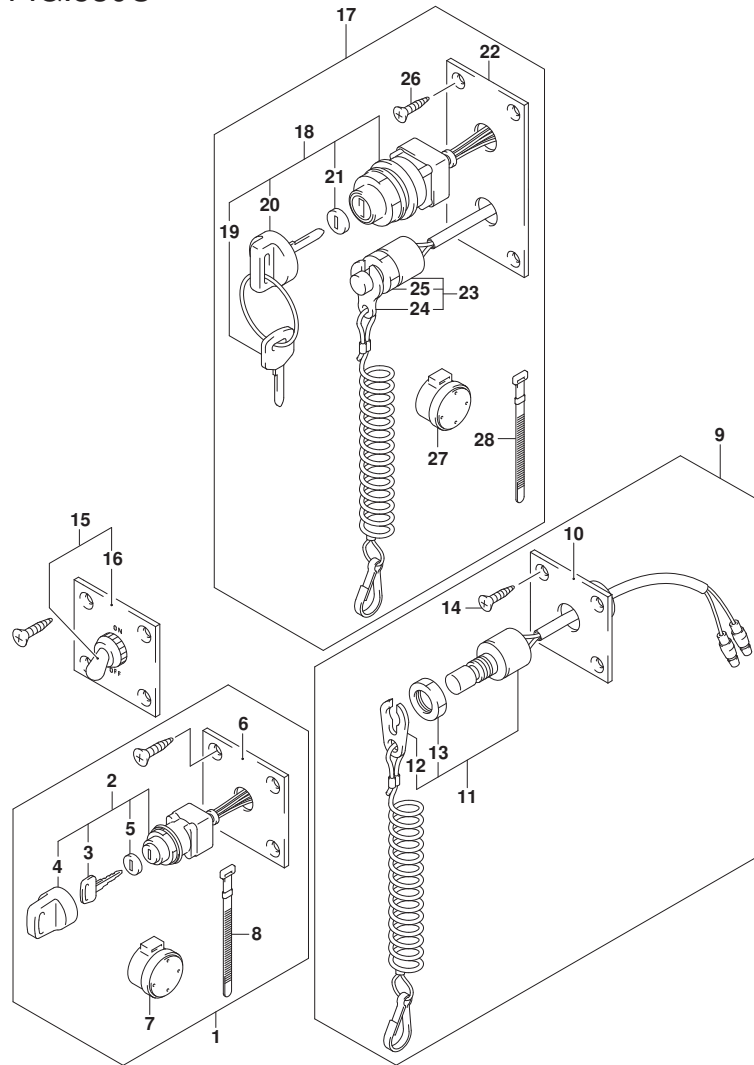


FIG.530C (2-H-2) OPT:SWITCH (DF30AR P01)

REF NO.	PART NO.	DESCRIPTION	Q'TY	REMARKS
1	37100-96J00	PANEL ASSY, IGNITION SW	1	
2	37110-93J01	..SWITCH ASSY, IGNITION	1	
3-1	37141-99E00	..KEY (931)	2	
3-2	37141-99E10	..KEY (932)	2	
3-3	37141-99E20	..KEY (933)	2	
3-4	37141-99E30	..KEY (934)	2	
3-5	37141-99E40	..KEY (935)	2	
3-6	37141-99E50	..KEY (936)	2	
3-7	37141-99E60	..KEY (937)	2	
3-8	37141-99E70	..KEY (938)	2	
3-9	37141-99E80	..KEY (939)	2	
3-10	37141-99E90	..KEY (940)	2	
3-11	37141-99EA0	..KEY (941)	2	
3-12	37141-99EB0	..KEY (942)	2	
4	37143-99E00	..CAP, KEY	1	
5	37149-93J00	..CAP, CYLINDER BODY	1	
6	37139-99E00	..PANEL, IGNITION SW	1	
7	38500-93J90	..BUZZER ASSY, WARNING	1	
8	09407-08401	..CLAMP (L:80)	1	
9	37803-93J04	PANEL ASSY, EMERGENCY SW	1	
10	37825-99E00	..PANEL, EMERGENCY SW	1	
11	37820-93J04	..SWITCH ASSY, EMERGENCY STOP	1	
12	37823-92E01	..PLATE ASSY, EMERGENCY SWITCH LOCK	1	
13	37826-92J00	..NUT	1	
14	03122-05165	..SCREW	4	
15	37210-93J00	PANEL ASSY, LIGHTING SW	1	
16	37212-93J00	..PANEL, LIGHTING SW	1	
17	37100-96J24	PANEL ASSY, ENGINE SW	1	
18	37110-93J01	..SWITCH ASSY, IGNITION	1	
19-1	37141-99E00	..KEY (931)	2	
19-2	37141-99E10	..KEY (932)	2	
19-3	37141-99E20	..KEY (933)	2	
19-4	37141-99E30	..KEY (934)	2	

FIG.530C

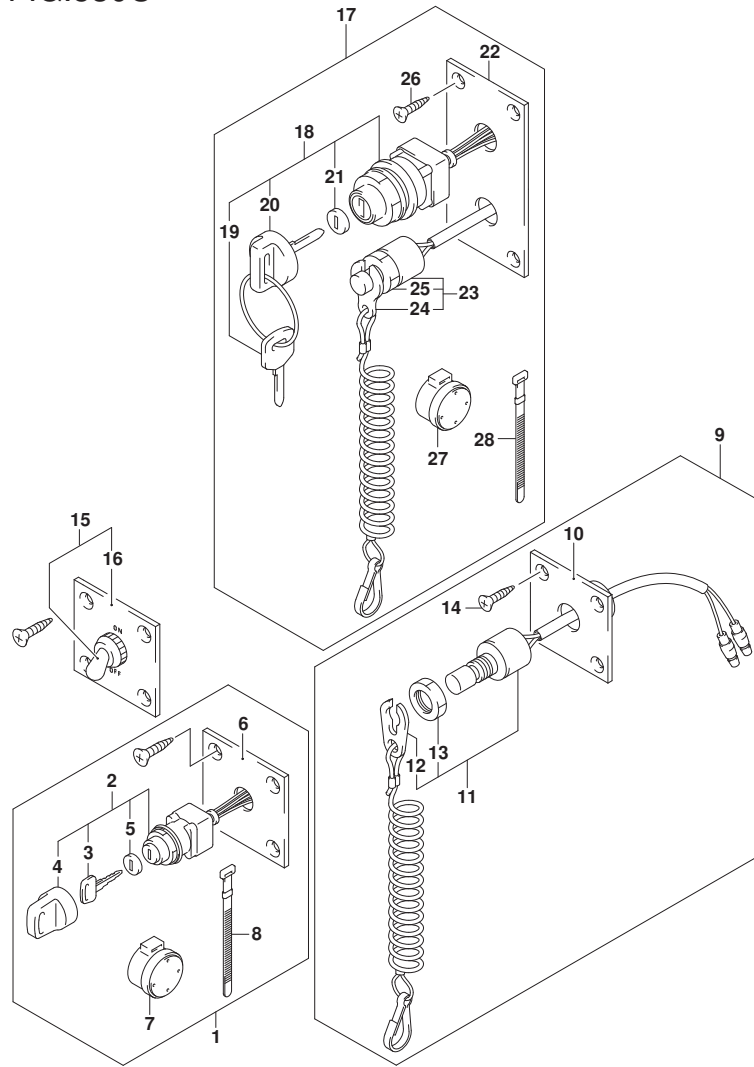


FIG.530C (2-H-3) OPT:SWITCH (DF30AR P01)

REF NO.	PART NO.	DESCRIPTION	Q'TY	REMARKS
19-5	37141-99E40	..KEY (935)	2	
19-6	37141-99E50	..KEY (936)	2	
19-7	37141-99E60	..KEY (937)	2	
19-8	37141-99E70	..KEY (938)	2	
19-9	37141-99E80	..KEY (939)	2	
19-10	37141-99E90	..KEY (940)	2	
19-11	37141-99EA0	..KEY (941)	2	
19-12	37141-99EB0	..KEY (942)	2	
20	37143-99E00	..CAP, KEY	1	
21	37149-93J00	..CAP, CYLINDER BODY	1	
22	37139-99E20	..PANEL, IGNITION SWITCH	1	
23	37820-93J04	..SWITCH ASSY, EMERGENCY	1	
24	37823-92E01	..PLATE ASSY, EMERGENCY	1	
25	37826-92J00	..NUT	1	
26	03121-0516A	..SCREW	4	
27	38500-93J90	..BUZZER ASSY, WARNING	1	
28	09407-08401	..CLAMP (L:80)	1	

FIG.530D

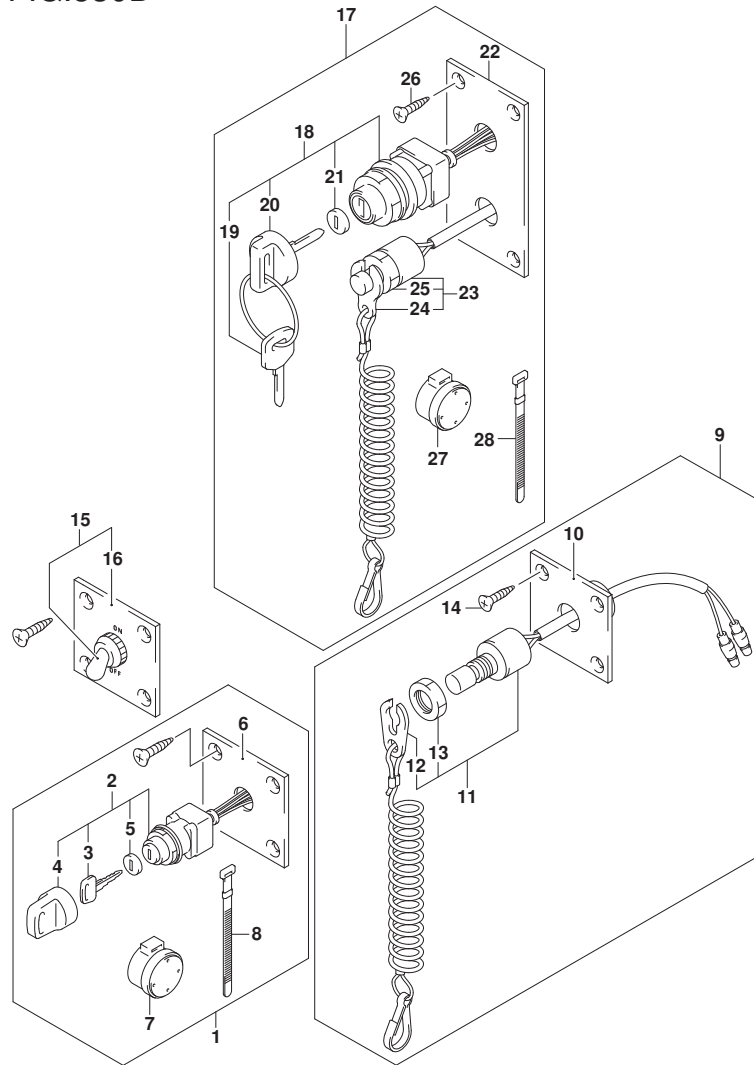
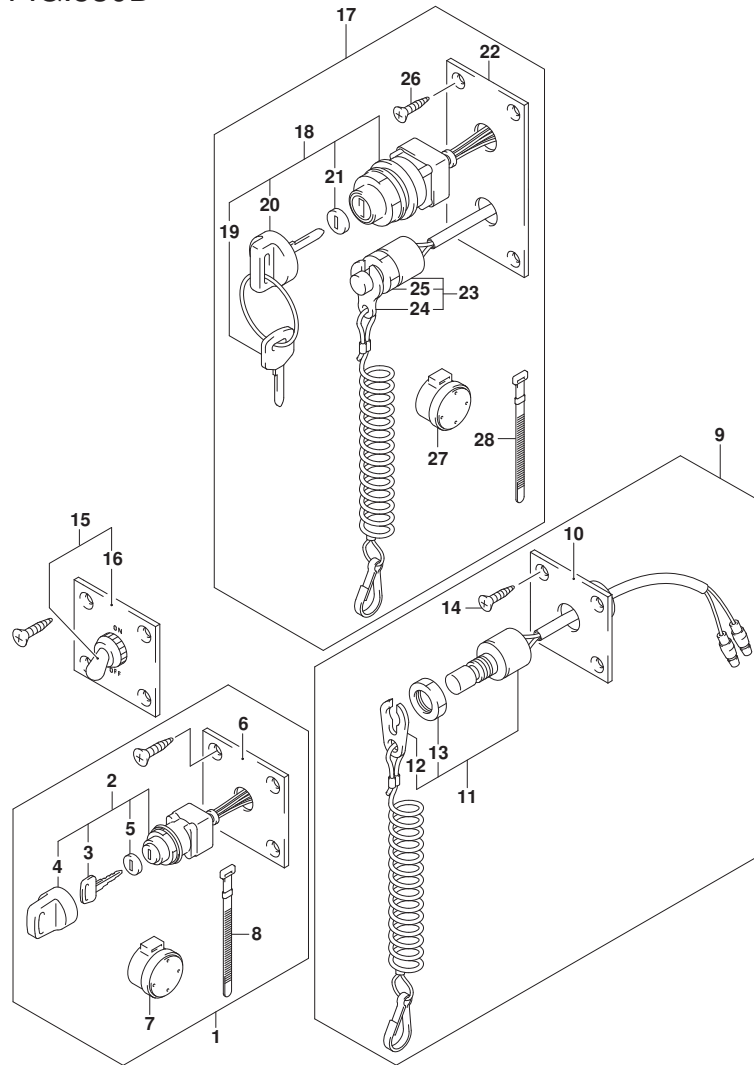


FIG.530D (2-H-4) OPT:SWITCH (DF30AT P01)

REF NO.	PART NO.	DESCRIPTION	Q'TY	REMARKS
1	37100-96J00	PANEL ASSY, IGNITION SW	1	
2	37110-93J01	..SWITCH ASSY, IGNITION	1	
3-1	37141-99E00	..KEY (931)	2	
3-2	37141-99E10	..KEY (932)	2	
3-3	37141-99E20	..KEY (933)	2	
3-4	37141-99E30	..KEY (934)	2	
3-5	37141-99E40	..KEY (935)	2	
3-6	37141-99E50	..KEY (936)	2	
3-7	37141-99E60	..KEY (937)	2	
3-8	37141-99E70	..KEY (938)	2	
3-9	37141-99E80	..KEY (939)	2	
3-10	37141-99E90	..KEY (940)	2	
3-11	37141-99EA0	..KEY (941)	2	
3-12	37141-99EB0	..KEY (942)	2	
4	37143-99E00	..CAP, KEY	1	
5	37149-93J00	..CAP, CYLINDER BODY	1	
6	37139-99E00	..PANEL, IGNITION SW	1	
7	38500-93J90	..BUZZER ASSY, WARNING	1	
8	09407-08401	..CLAMP (L:80)	1	
9	37803-93J04	PANEL ASSY, EMERGENCY SW	1	
10	37825-99E00	..PANEL, EMERGENCY SW	1	
11	37820-93J04	..SWITCH ASSY, EMERGENCY STOP	1	
12	37823-92E01	..PLATE ASSY, EMERGENCY SWITCH LOCK	1	
13	37826-92J00	..NUT	1	
14	03122-05165	..SCREW	4	
15	37210-93J00	PANEL ASSY, LIGHTING SW	1	
16	37212-93J00	..PANEL, LIGHTING SW	1	
17	37100-96J24	PANEL ASSY, ENGINE SW	1	
18	37110-93J01	..SWITCH ASSY, IGNITION	1	
19-1	37141-99E00	..KEY (931)	2	
19-2	37141-99E10	..KEY (932)	2	
19-3	37141-99E20	..KEY (933)	2	
19-4	37141-99E30	..KEY (934)	2	

FIG.530D



DF25A_30A_P01_017_530D
OPT:SWITCH

FIG.530D (2-H-5) OPT:SWITCH (DF30AT P01)

REF NO.	PART NO.	DESCRIPTION	Q'TY	REMARKS
19-5	37141-99E40	..KEY (935)	2	
19-6	37141-99E50	..KEY (936)	2	
19-7	37141-99E60	..KEY (937)	2	
19-8	37141-99E70	..KEY (938)	2	
19-9	37141-99E80	..KEY (939)	2	
19-10	37141-99E90	..KEY (940)	2	
19-11	37141-99EA0	..KEY (941)	2	
19-12	37141-99EB0	..KEY (942)	2	
20	37143-99E00	..CAP, KEY	1	
21	37149-93J00	..CAP, CYLINDER BODY	1	
22	37139-99E20	..PANEL, IGNITION SWITCH	1	
23	37820-93J04	..SWITCH ASSY, EMERGENCY	1	
24	37823-92E01	..PLATE ASSY, EMERGENCY	1	
25	37826-92J00	..NUT	1	
26	03121-0516A	..SCREW	4	
27	38500-93J90	..BUZZER ASSY, WARNING	1	
28	09407-08401	..CLAMP (L:80)	1	

DF25A_30A_P01_017

FIG.544A

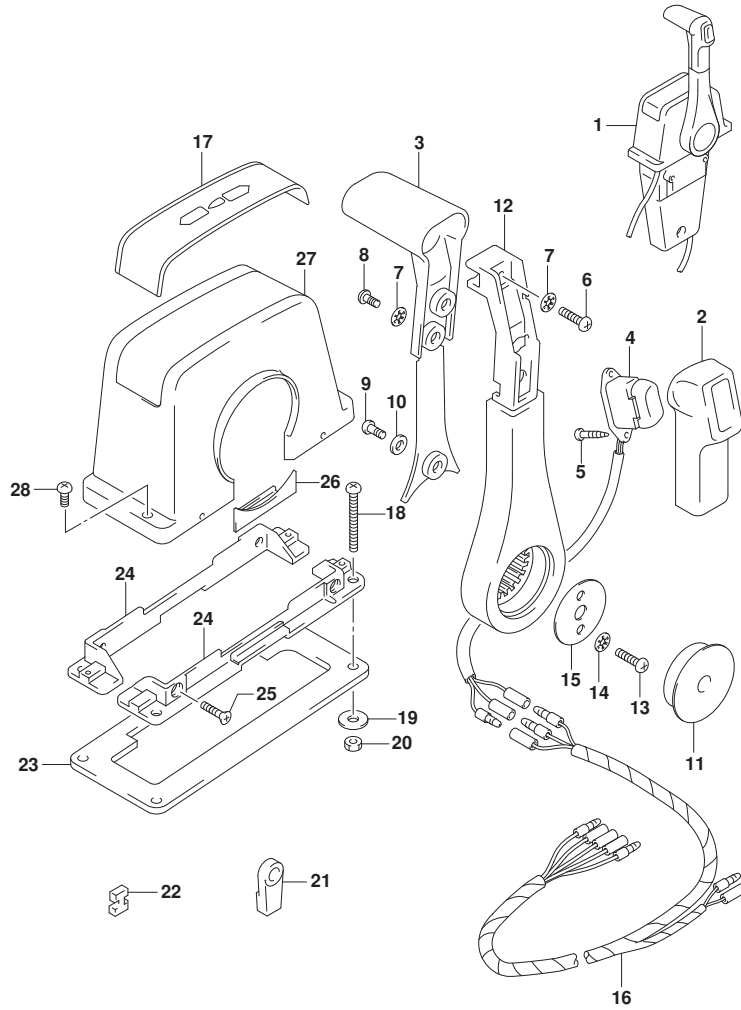


FIG.544A (2-H-6) OPT:REMOTE CONTROL ASSY SINGLE (1) (DF25AR P01)

REF NO.	PART NO.	DESCRIPTION	Q'TY	REMARKS
1	67200-93J13	REMOTE CONTROL ASSY	1	
2	67261-93J00	.GRIP, NO.1	1	
3	67263-93J00	.GRIP, NO.2	1	
4	37850-93J10	.SWITCH ASSY, PTT	1	
5	67295-92E10	.SCREW	2	
6	67296-88D10	.SCREW	1	
7	67288-92E20	.WASHER	3	
8	67295-92E00	.SCREW	2	
9	67296-92E70	.SCREW	1	
10	67288-92E40	.WASHER	1	
11	67257-92E00	.CAP, LEVER	1	
12	67251-93J00	.LEVER, HANDLE	1	
13	67296-92E60	.SCREW	2	
14	67288-92E30	.WASHER	2	
15	67253-92E00	.WASHER	1	
16	36890-93J00	.WIRE HARNESS	1	
17	67281-93J00	.DECAL	1	
18	67296-92E30	.SCREW	4	
19	09160-05024	.WASHER (5.5X16X1.5)	4	
20	67287-92E00	.NUT	4	
21	67275-95600	.END, CABLE	2	
22	67273-95600	.SPACER	1	
23	67273-92E00	.GROMMET	1	
24	67274-92E00	.FLANGE	2	
25	67296-95610	.SCREW	4	
26	67271-92E00	.COVER	1	
27	67211-93J00	.COVER	1	
28	67296-92E70	.SCREW	2	

FIG.544B

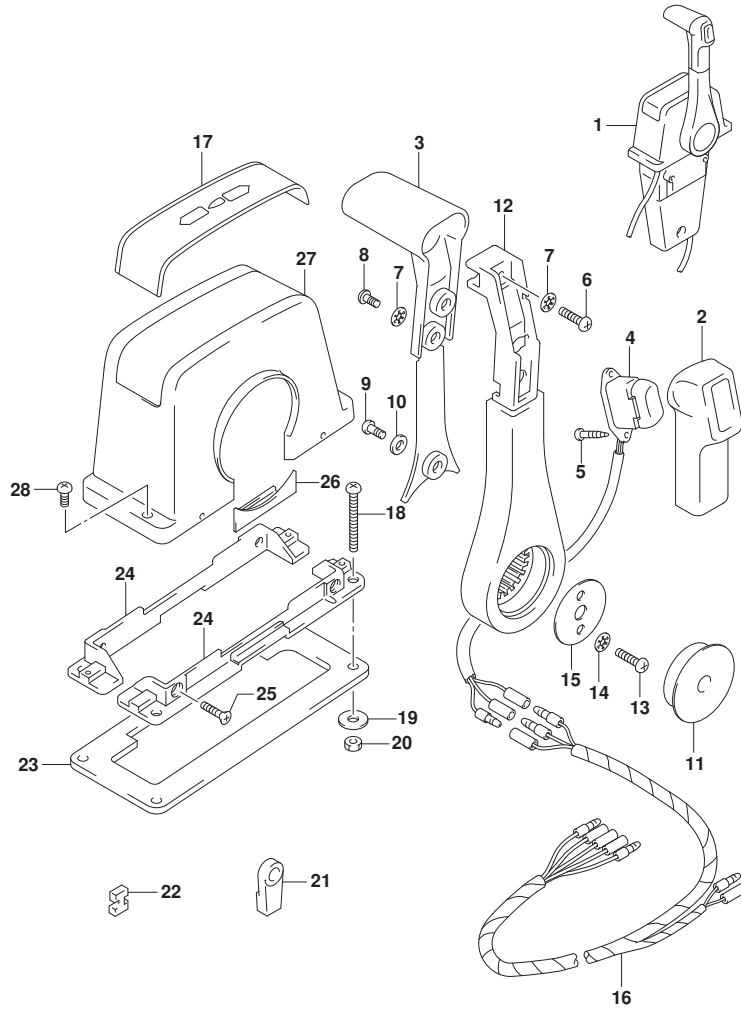


FIG.544B (2-H-7) OPT:REMOTE CONTROL ASSY SINGLE (1) (DF25AT P01)

REF NO.	PART NO.	DESCRIPTION	Q'TY	REMARKS
1	67200-93J13	REMOTE CONTROL ASSY	1	
2	67261-93J00	.GRIP, NO.1	1	
3	67263-93J00	.GRIP, NO.2	1	
4	37850-93J10	.SWITCH ASSY, PTT	1	
5	67295-92E10	.SCREW	2	
6	67296-88D10	.SCREW	1	
7	67288-92E20	.WASHER	3	
8	67295-92E00	.SCREW	2	
9	67296-92E70	.SCREW	1	
10	67288-92E40	.WASHER	1	
11	67257-92E00	.CAP, LEVER	1	
12	67251-93J00	.LEVER, HANDLE	1	
13	67296-92E60	.SCREW	2	
14	67288-92E30	.WASHER	2	
15	67253-92E00	.WASHER	1	
16	36890-93J00	.WIRE HARNESS	1	
17	67281-93J00	.DECAL	1	
18	67296-92E30	.SCREW	4	
19	09160-05024	.WASHER (5.5X16X1.5)	4	
20	67287-92E00	.NUT	4	
21	67275-95600	.END, CABLE	2	
22	67273-95600	.SPACER	1	
23	67273-92E00	.GROMMET	1	
24	67274-92E00	.FLANGE	2	
25	67296-95610	.SCREW	4	
26	67271-92E00	.COVER	1	
27	67211-93J00	.COVER	1	
28	67296-92E70	.SCREW	2	

FIG.544C

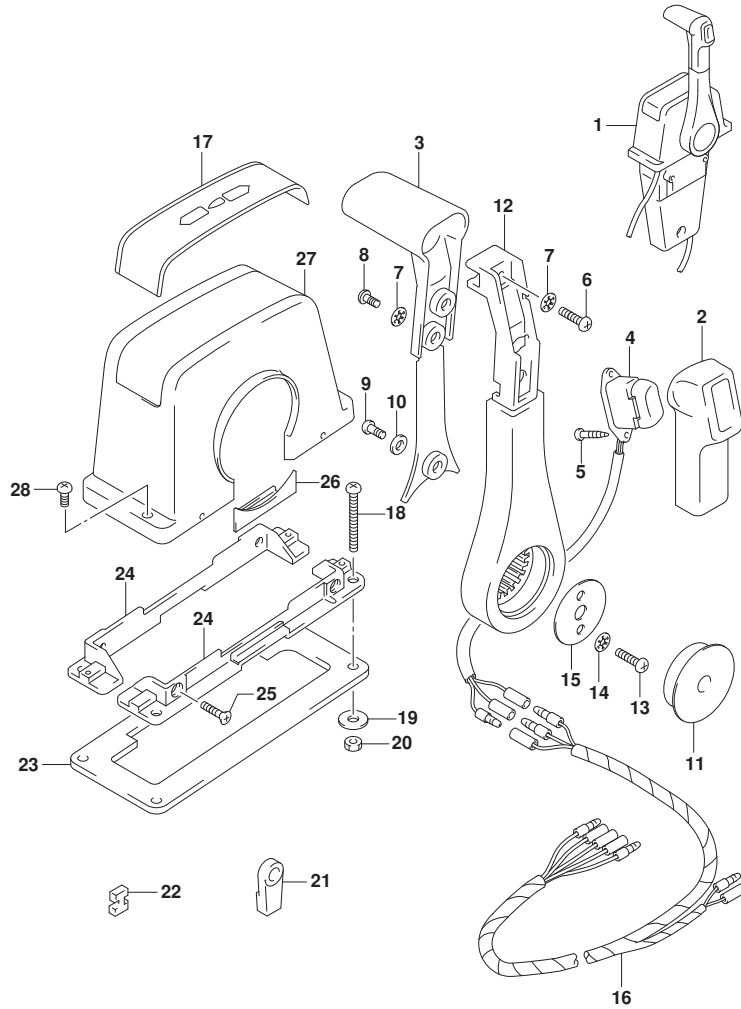


FIG.544C (2-H-8) OPT:REMOTE CONTROL ASSY SINGLE (1) (DF30AR P01)

REF NO.	PART NO.	DESCRIPTION	Q'TY	REMARKS
1	67200-93J13	REMOTE CONTROL ASSY	1	
2	67261-93J00	.GRIP, NO.1	1	
3	67263-93J00	.GRIP, NO.2	1	
4	37850-93J10	.SWITCH ASSY, PTT	1	
5	67295-92E10	.SCREW	2	
6	67296-88D10	.SCREW	1	
7	67288-92E20	.WASHER	3	
8	67295-92E00	.SCREW	2	
9	67296-92E70	.SCREW	1	
10	67288-92E40	.WASHER	1	
11	67257-92E00	.CAP, LEVER	1	
12	67251-93J00	.LEVER, HANDLE	1	
13	67296-92E60	.SCREW	2	
14	67288-92E30	.WASHER	2	
15	67253-92E00	.WASHER	1	
16	36890-93J00	.WIRE HARNESS	1	
17	67281-93J00	.DECAL	1	
18	67296-92E30	.SCREW	4	
19	09160-05024	.WASHER (5.5X16X1.5)	4	
20	67287-92E00	.NUT	4	
21	67275-95600	.END, CABLE	2	
22	67273-95600	.SPACER	1	
23	67273-92E00	.GROMMET	1	
24	67274-92E00	.FLANGE	2	
25	67296-95610	.SCREW	4	
26	67271-92E00	.COVER	1	
27	67211-93J00	.COVER	1	
28	67296-92E70	.SCREW	2	

FIG.544D

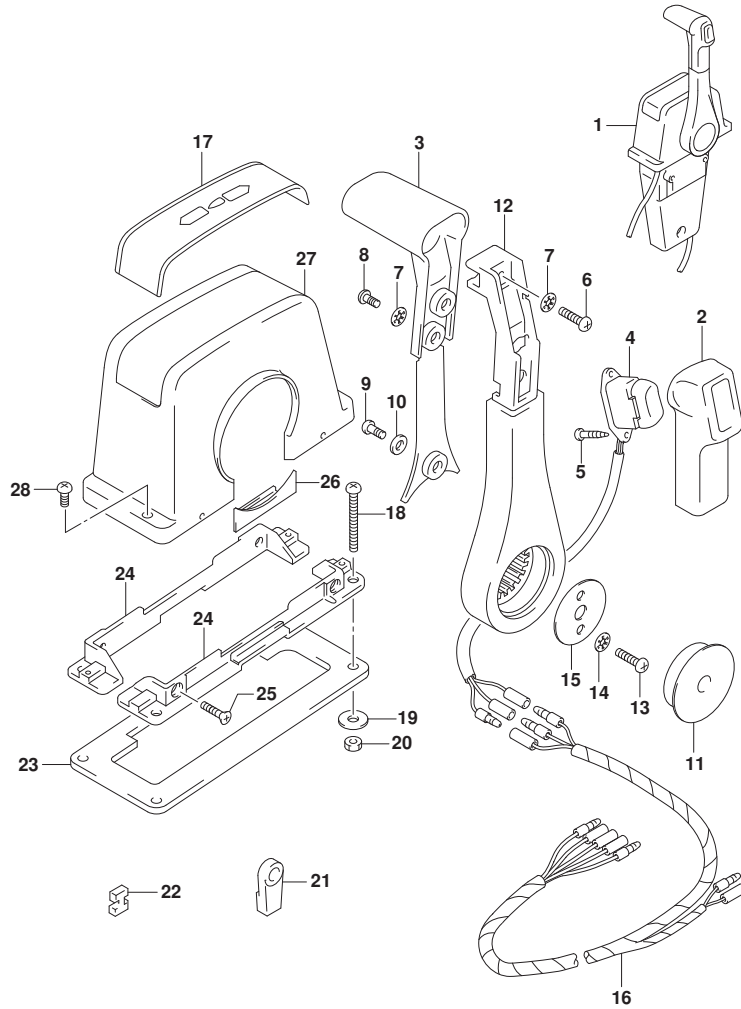


FIG.544D (2-H-9) OPT:REMOTE CONTROL ASSY SINGLE (1) (DF30AT P01)

REF NO.	PART NO.	DESCRIPTION	Q'TY	REMARKS
1	67200-93J13	REMOTE CONTROL ASSY	1	
2	67261-93J00	.GRIP, NO.1	1	
3	67263-93J00	.GRIP, NO.2	1	
4	37850-93J10	.SWITCH ASSY, PTT	1	
5	67295-92E10	.SCREW	2	
6	67296-88D10	.SCREW	1	
7	67288-92E20	.WASHER	3	
8	67295-92E00	.SCREW	2	
9	67296-92E70	.SCREW	1	
10	67288-92E40	.WASHER	1	
11	67257-92E00	.CAP, LEVER	1	
12	67251-93J00	.LEVER, HANDLE	1	
13	67296-92E60	.SCREW	2	
14	67288-92E30	.WASHER	2	
15	67253-92E00	.WASHER	1	
16	36890-93J00	.WIRE HARNESS	1	
17	67281-93J00	.DECAL	1	
18	67296-92E30	.SCREW	4	
19	09160-05024	.WASHER (5.5X16X1.5)	4	
20	67287-92E00	.NUT	4	
21	67275-95600	.END, CABLE	2	
22	67273-95600	.SPACER	1	
23	67273-92E00	.GROMMET	1	
24	67274-92E00	.FLANGE	2	
25	67296-95610	.SCREW	4	
26	67271-92E00	.COVER	1	
27	67211-93J00	.COVER	1	
28	67296-92E70	.SCREW	2	

FIG.545A

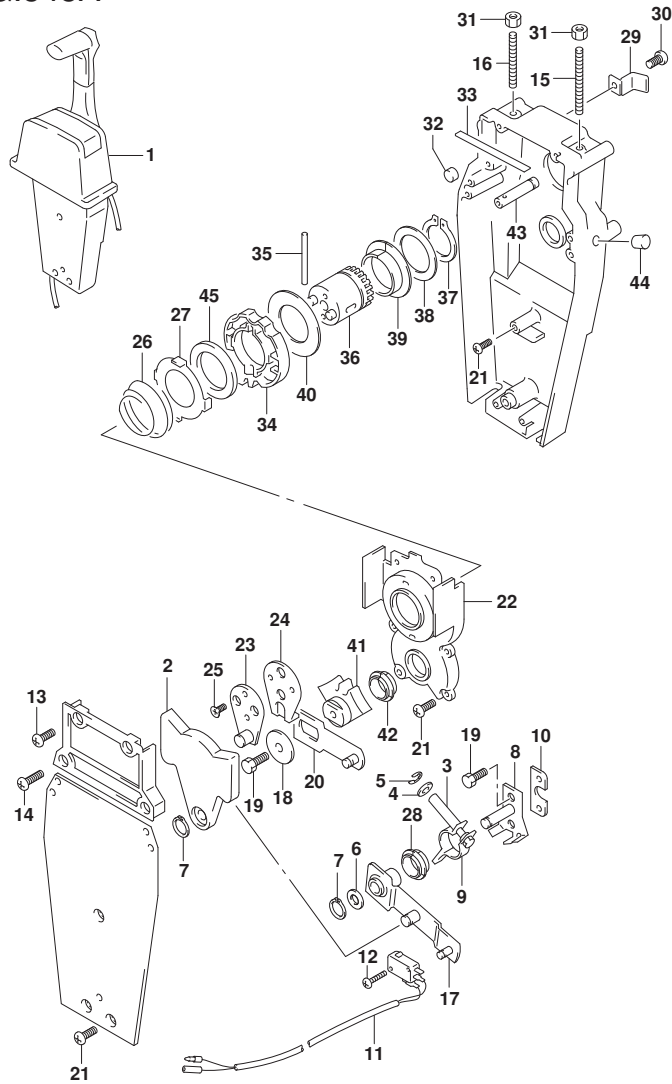


FIG.545A (2-H-10) OPT:REMOTE CONTROL ASSY SINGLE (2) (DF25AR P01)

REF NO.	PART NO.	DESCRIPTION	Q'TY	REMARKS
1	67200-93J13	REMOTE CONTROL ASSY	1	
2	67222-92E00	.DUAL PLATE	1	
3	67223-92E00	.BRAKE ADJUST	1	
4	67288-92E00	.WASHER	1	
5	67292-94300	.E RING	4	
6	67288-92E10	.WASHER	1	
7	67291-92E00	.SNAP RING	2	
8	67221-92E00	.SHIFT ASSY	1	
9	67224-92E00	.BRAKE ARM ASSY	1	
10	67294-92E00	.SPACER	1	
11	37721-95500	.SWITCH ASSY, N/R	1	
12	67296-92E11	.SCREW, NEUTRAL SWITCH	2	
13	67296-88D10	.SCREW (5X16)	2	
14	67296-92E20	.SCREW (5X25)	2	
15	67226-92E00	.BOLT, STOPPER FRONT	1	
16	67226-92E10	.BOLT, STOPPER REAR	1	
17	67240-92E00	.ARM ASSY, THROTTLE	1	
18	67228-92E00	.WASHER	1	
19	67286-92E00	.BOLT (6X18)	3	
20	67230-92E00	.SHIFT ARM ASSY	1	
21	09125-05042	.SCREW (5X10)	9	
22	67234-92E00	.CASE, GEAR	1	
23	67245-92E00	.LEVER ASSY, THROTTLE	1	
24	67227-92E00	.STOPPER	1	
25	09126-06006	.SCREW (6X20)	2	
26	67233-92E00	.SPRING	1	
27	67235-92E00	.PLATE, SHIFT LOCK	1	
28	67232-95620	.BUSH	1	
29	67269-92E00	.BRACKET	1	
30	67296-88D10	.SCREW	1	
31	09140-06020	.NUT	2	
32	67236-92E00	.ROLLER	1	
33	67237-92E01	.SPRING	6	
34	67238-92E00	.GEAR, DRIVE	1	

FIG.545A

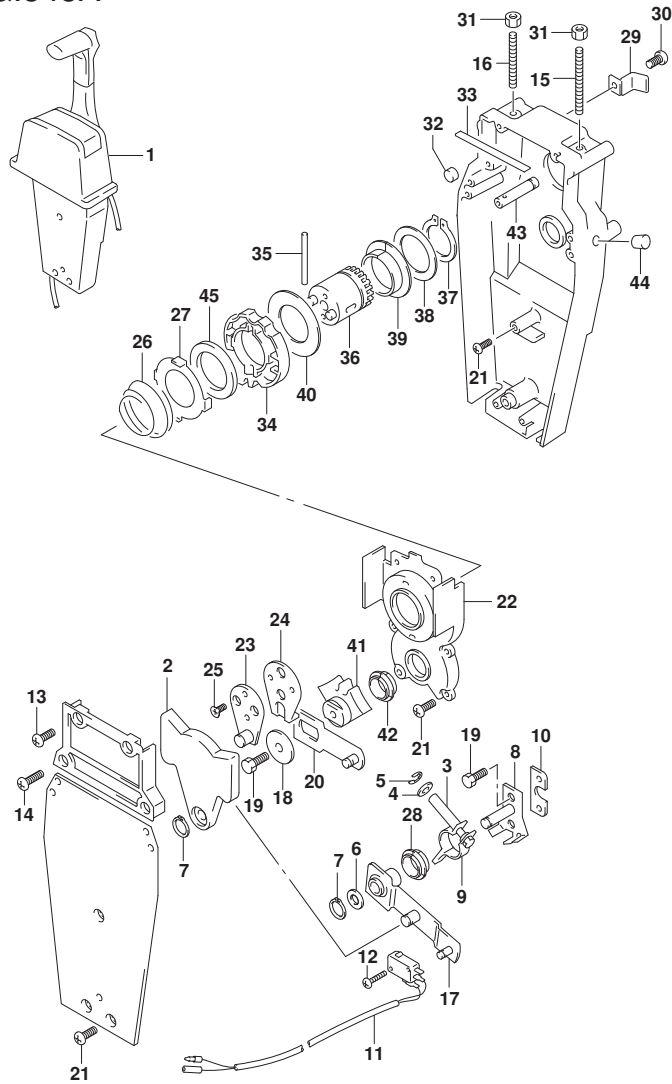


FIG.545A (2-H-11) OPT:REMOTE CONTROL ASSY SINGLE (2) (DF25AR P01)

REF NO.	PART NO.	DESCRIPTION	Q'TY	REMARKS
35	67239-92E00	.PIN	1	
36	67246-92E00	.SHAFT, DRIVE	1	
37	67291-92E10	.SNAP RING	1	
38	67253-92E10	.WASHER	1	
39	67252-92E10	.BUSH	1	
40	67253-95600	.WASHER	1	
41	67231-92E00	.GEAR, SHIFT	1	
42	67232-95600	.BUSH	1	
43	67241-92E10	.ROD, FREE ACC	1	
44	67243-92E00	.CAP, HOLE	1	
45	67239-92E10	.PLATE, SHIFT PIN	1	

FIG.545B

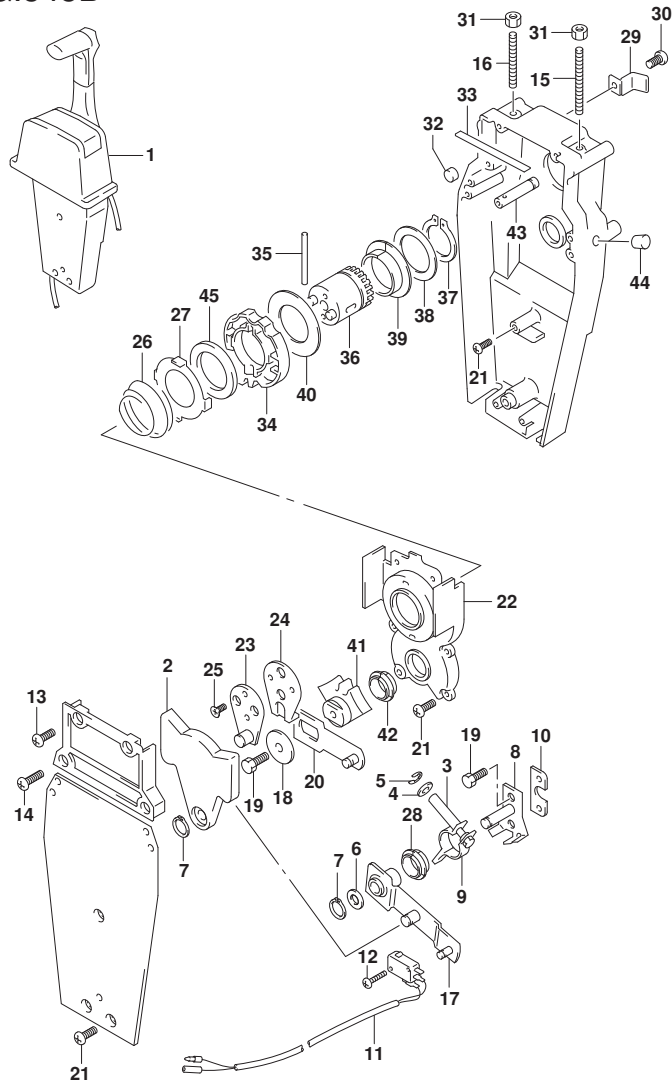


FIG.545B (2-H-12) OPT:REMOTE CONTROL ASSY SINGLE (2) (DF25AT P01)

REF NO.	PART NO.	DESCRIPTION	Q'TY	REMARKS
1	67200-93J13	REMOTE CONTROL ASSY	1	
2	67222-92E00	.DUAL PLATE	1	
3	67223-92E00	.BRAKE ADJUST	1	
4	67288-92E00	.WASHER	1	
5	67292-94300	.E RING	4	
6	67288-92E10	.WASHER	1	
7	67291-92E00	.SNAP RING	2	
8	67221-92E00	.SHIFT ASSY	1	
9	67224-92E00	.BRAKE ARM ASSY	1	
10	67294-92E00	.SPACER	1	
11	37721-95500	.SWITCH ASSY, N/R	1	
12	67296-92E11	.SCREW, NEUTRAL SWITCH	2	
13	67296-88D10	.SCREW (5X16)	2	
14	67296-92E20	.SCREW (5X25)	2	
15	67226-92E00	.BOLT, STOPPER FRONT	1	
16	67226-92E10	.BOLT, STOPPER REAR	1	
17	67240-92E00	.ARM ASSY, THROTTLE	1	
18	67228-92E00	.WASHER	1	
19	67286-92E00	.BOLT (6X18)	3	
20	67230-92E00	.SHIFT ARM ASSY	1	
21	09125-05042	.SCREW (5X10)	9	
22	67234-92E00	.CASE, GEAR	1	
23	67245-92E00	.LEVER ASSY, THROTTLE	1	
24	67227-92E00	.STOPPER	1	
25	09126-06006	.SCREW (6X20)	2	
26	67233-92E00	.SPRING	1	
27	67235-92E00	.PLATE, SHIFT LOCK	1	
28	67232-95620	.BUSH	1	
29	67269-92E00	.BRACKET	1	
30	67296-88D10	.SCREW	1	
31	09140-06020	.NUT	2	
32	67236-92E00	.ROLLER	1	
33	67237-92E01	.SPRING	6	
34	67238-92E00	.GEAR, DRIVE	1	

FIG.545B

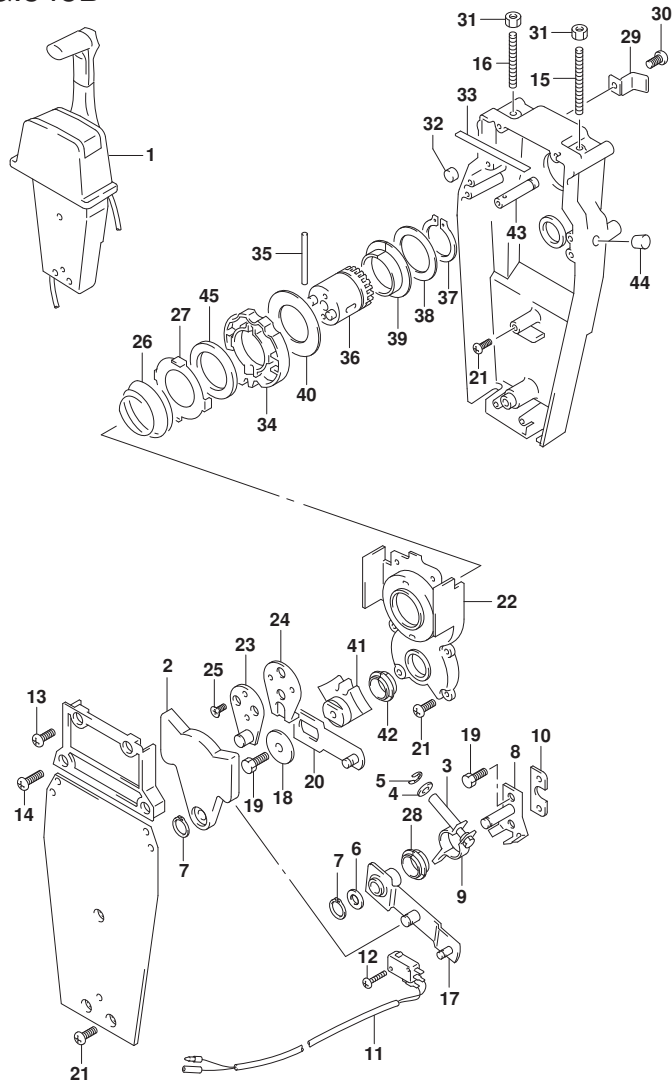


FIG.545B (2-H-13) OPT:REMOTE CONTROL ASSY SINGLE (2) (DF25AT P01)

REF NO.	PART NO.	DESCRIPTION	Q'TY	REMARKS
35	67239-92E00	.PIN	1	
36	67246-92E00	.SHAFT, DRIVE	1	
37	67291-92E10	.SNAP RING	1	
38	67253-92E10	.WASHER	1	
39	67252-92E10	.BUSH	1	
40	67253-95600	.WASHER	1	
41	67231-92E00	.GEAR, SHIFT	1	
42	67232-95600	.BUSH	1	
43	67241-92E10	.ROD, FREE ACC	1	
44	67243-92E00	.CAP, HOLE	1	
45	67239-92E10	.PLATE, SHIFT PIN	1	

FIG.545C

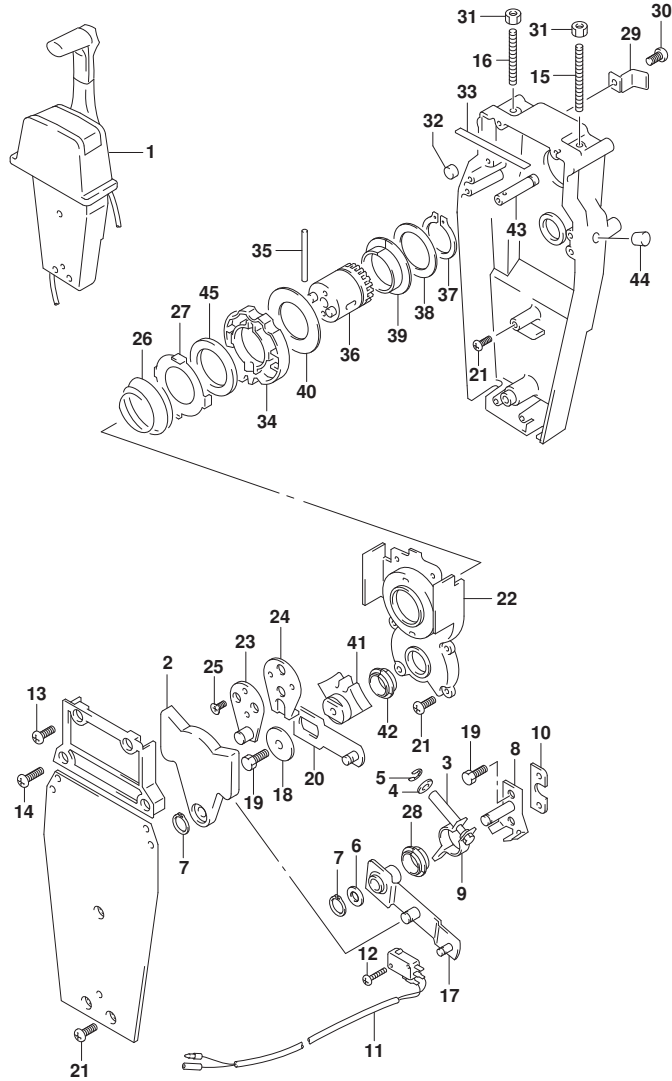


FIG.545C (2-H-14) OPT:REMOTE CONTROL ASSY SINGLE (2) (DF30AR P01)

REF NO.	PART NO.	DESCRIPTION	Q'TY	REMARKS
1	67200-93J13	REMOTE CONTROL ASSY	1	
2	67222-92E00	.DUAL PLATE	1	
3	67223-92E00	.BRAKE ADJUST	1	
4	67288-92E00	.WASHER	1	
5	67292-94300	.E RING	4	
6	67288-92E10	.WASHER	1	
7	67291-92E00	.SNAP RING	2	
8	67221-92E00	.SHIFT ASSY	1	
9	67224-92E00	.BRAKE ARM ASSY	1	
10	67294-92E00	.SPACER	1	
11	37721-95500	.SWITCH ASSY, N/R	1	
12	67296-92E11	.SCREW, NEUTRAL SWITCH	2	
13	67296-88D10	.SCREW (5X16)	2	
14	67296-92E20	.SCREW (5X25)	2	
15	67226-92E00	.BOLT, STOPPER FRONT	1	
16	67226-92E10	.BOLT, STOPPER REAR	1	
17	67240-92E00	.ARM ASSY, THROTTLE	1	
18	67228-92E00	.WASHER	1	
19	67286-92E00	.BOLT (6X18)	3	
20	67230-92E00	.SHIFT ARM ASSY	1	
21	09125-05042	.SCREW (5X10)	9	
22	67234-92E00	.CASE, GEAR	1	
23	67245-92E00	.LEVER ASSY, THROTTLE	1	
24	67227-92E00	.STOPPER	1	
25	09126-06006	.SCREW (6X20)	2	
26	67233-92E00	.SPRING	1	
27	67235-92E00	.PLATE, SHIFT LOCK	1	
28	67232-95620	.BUSH	1	
29	67269-92E00	.BRACKET	1	
30	67296-88D10	.SCREW	1	
31	09140-06020	.NUT	2	
32	67236-92E00	.ROLLER	1	
33	67237-92E01	.SPRING	6	
34	67238-92E00	.GEAR, DRIVE	1	

FIG.545C

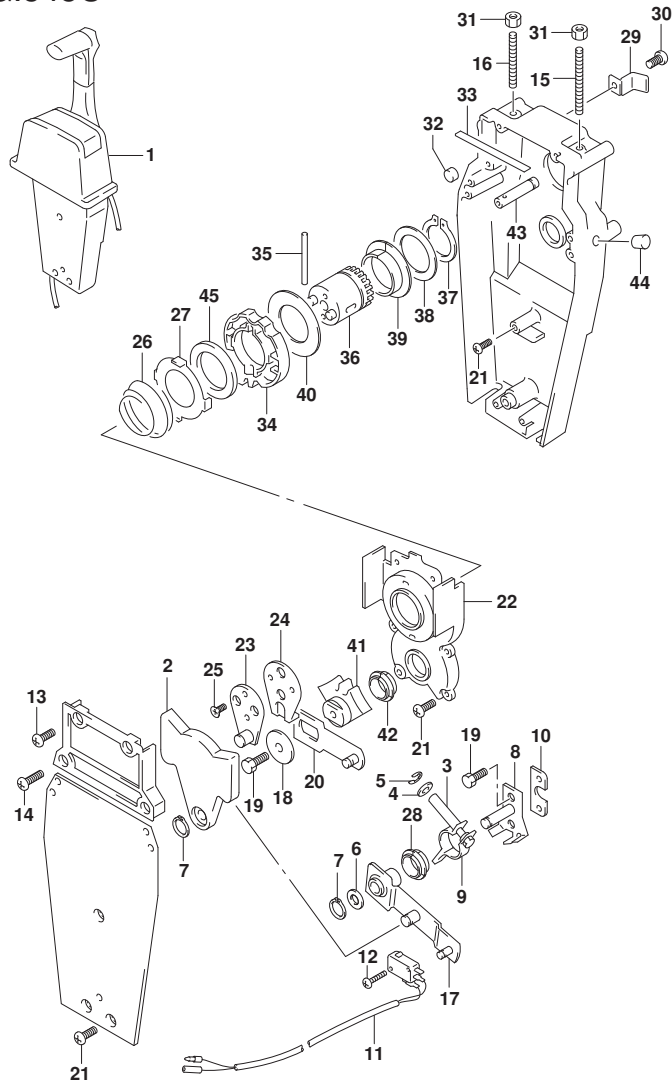


FIG.545C (2-H-15) OPT:REMOTE CONTROL ASSY SINGLE (2) (DF30AR P01)

REF NO.	PART NO.	DESCRIPTION	Q'TY	REMARKS
35	67239-92E00	.PIN	1	
36	67246-92E00	.SHAFT, DRIVE	1	
37	67291-92E10	.SNAP RING	1	
38	67253-92E10	.WASHER	1	
39	67252-92E10	.BUSH	1	
40	67253-95600	.WASHER	1	
41	67231-92E00	.GEAR, SHIFT	1	
42	67232-95600	.BUSH	1	
43	67241-92E10	.ROD, FREE ACC	1	
44	67243-92E00	.CAP, HOLE	1	
45	67239-92E10	.PLATE, SHIFT PIN	1	

FIG.545D

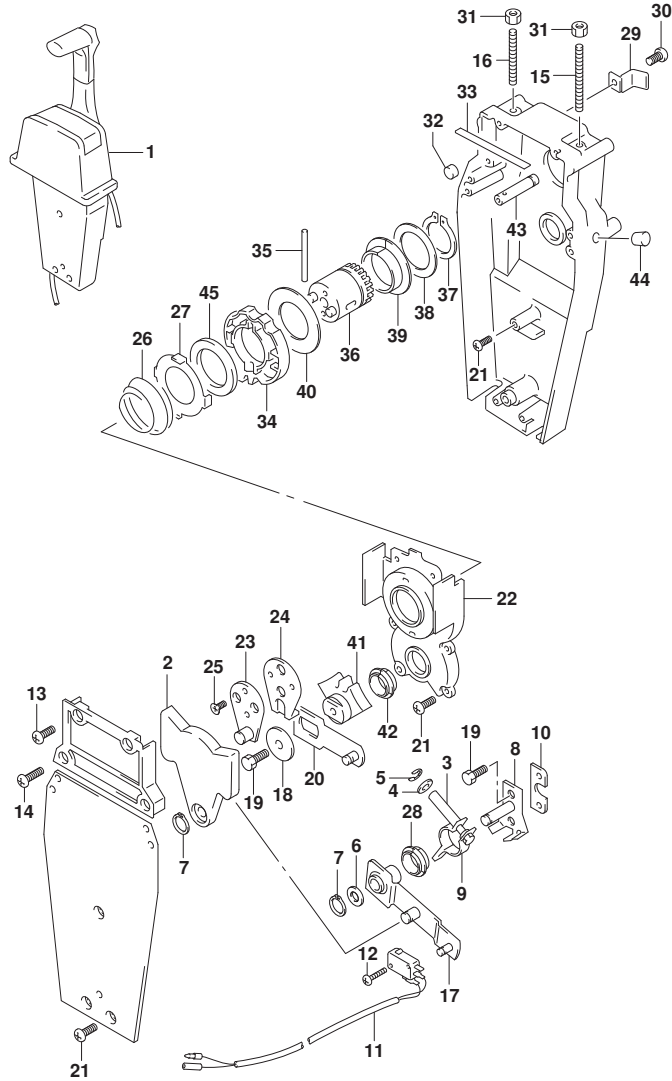


FIG.545D (2-I-2) OPT:REMOTE CONTROL ASSY SINGLE (2) (DF30AT P01)

REF NO.	PART NO.	DESCRIPTION	Q'TY	REMARKS
1	67200-93J13	REMOTE CONTROL ASSY	1	
2	67222-92E00	.DUAL PLATE	1	
3	67223-92E00	.BRAKE ADJUST	1	
4	67288-92E00	.WASHER	1	
5	67292-94300	.E RING	4	
6	67288-92E10	.WASHER	1	
7	67291-92E00	.SNAP RING	2	
8	67221-92E00	.SHIFT ASSY	1	
9	67224-92E00	.BRAKE ARM ASSY	1	
10	67294-92E00	.SPACER	1	
11	37721-95500	.SWITCH ASSY, N/R	1	
12	67296-92E11	.SCREW, NEUTRAL SWITCH	2	
13	67296-88D10	.SCREW (5X16)	2	
14	67296-92E20	.SCREW (5X25)	2	
15	67226-92E00	.BOLT, STOPPER FRONT	1	
16	67226-92E10	.BOLT, STOPPER REAR	1	
17	67240-92E00	.ARM ASSY, THROTTLE	1	
18	67228-92E00	.WASHER	1	
19	67286-92E00	.BOLT (6X18)	3	
20	67230-92E00	.SHIFT ARM ASSY	1	
21	09125-05042	.SCREW (5X10)	9	
22	67234-92E00	.CASE, GEAR	1	
23	67245-92E00	.LEVER ASSY, THROTTLE	1	
24	67227-92E00	.STOPPER	1	
25	09126-06006	.SCREW (6X20)	2	
26	67233-92E00	.SPRING	1	
27	67235-92E00	.PLATE, SHIFT LOCK	1	
28	67232-95620	.BUSH	1	
29	67269-92E00	.BRACKET	1	
30	67296-88D10	.SCREW	1	
31	09140-06020	.NUT	2	
32	67236-92E00	.ROLLER	1	
33	67237-92E01	.SPRING	6	
34	67238-92E00	.GEAR, DRIVE	1	

FIG.545D

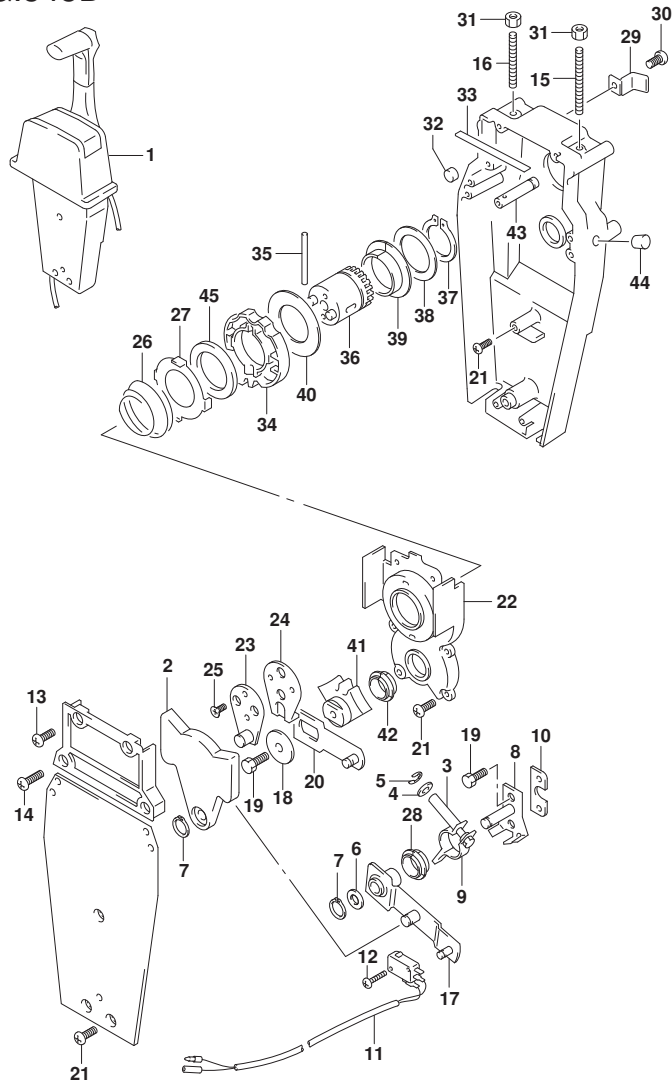


FIG.545D (2-I-3) OPT:REMOTE CONTROL ASSY SINGLE (2) (DF30AT P01)

REF NO.	PART NO.	DESCRIPTION	Q'TY	REMARKS
35	67239-92E00	.PIN	1	
36	67246-92E00	.SHAFT, DRIVE	1	
37	67291-92E10	.SNAP RING	1	
38	67253-92E10	.WASHER	1	
39	67252-92E10	.BUSH	1	
40	67253-95600	.WASHER	1	
41	67231-92E00	.GEAR, SHIFT	1	
42	67232-95600	.BUSH	1	
43	67241-92E10	.ROD, FREE ACC	1	
44	67243-92E00	.CAP, HOLE	1	
45	67239-92E10	.PLATE, SHIFT PIN	1	

FIG.553A

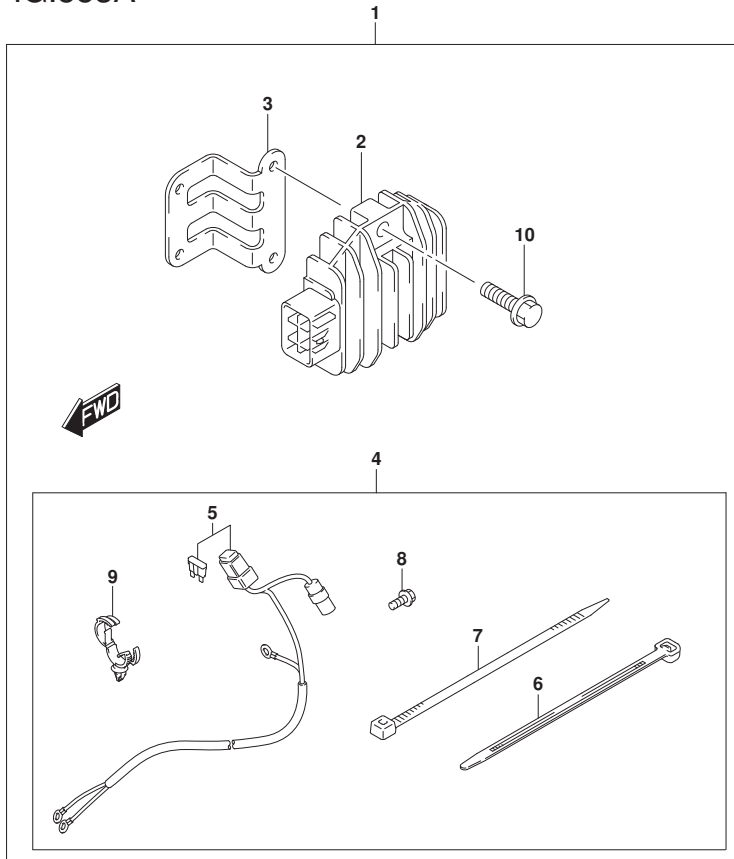


FIG.553A (2-I-4) OPT:ELECTRICAL (MANUAL STARTER) (DF25A P01)

REF NO.	PART NO.	DESCRIPTION	Q'TY	REMARKS
1	32000-94L00	KIT, BATTERY CHARGING	1	
2	32800-88L00	..RECTIFIER & REGULATOR ASSY	1	
3	32815-94L00	..BRACKET, RECTIFIER	1	
4	39600-94L00	..RECEPTACLE SET	1	
5	36740-94L00	..CASE ASSY, FUSE	1	
6	09407-14403	..CLAMP (L:125)	2	
7	09407-14407	..CLAMP (L:145)	3	
8	01550-06127	..BOLT	1	
9	09403-20308	..CLAMP	1	
10	01550-06207	..BOLT	2	
11	36990-87D00	TERMINAL & SLEEVE SET	1	

FIG.553B

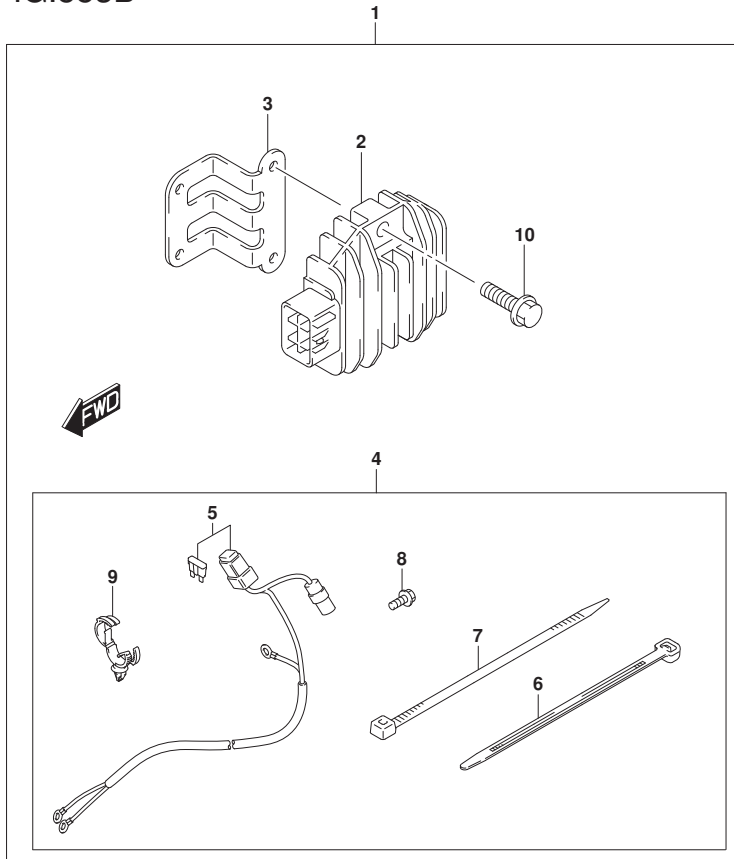


FIG.553B (2-I-5) OPT:ELECTRICAL (MANUAL STARTER) (DF30A P40)

REF NO.	PART NO.	DESCRIPTION	Q'TY	REMARKS
1	32000-94L00	KIT, BATTERY CHARGING	1	
2	32800-88L00	.RECTIFIER & REGULATOR ASSY	1	
3	32815-94L00	.BRACKET, RECTIFIER	1	
4	39600-94L00	.RECEPTACLE SET	1	
5	36740-94L00	..CASE ASSY, FUSE	1	
6	09407-14403	..CLAMP (L:125)	2	
7	09407-14407	..CLAMP (L:145)	3	
8	01550-06127	..BOLT	1	
9	09403-20308	..CLAMP	1	
10	01550-06207	..BOLT	2	
11	36990-87D00	TERMINAL & SLEEVE SET	1	

FIG.553C

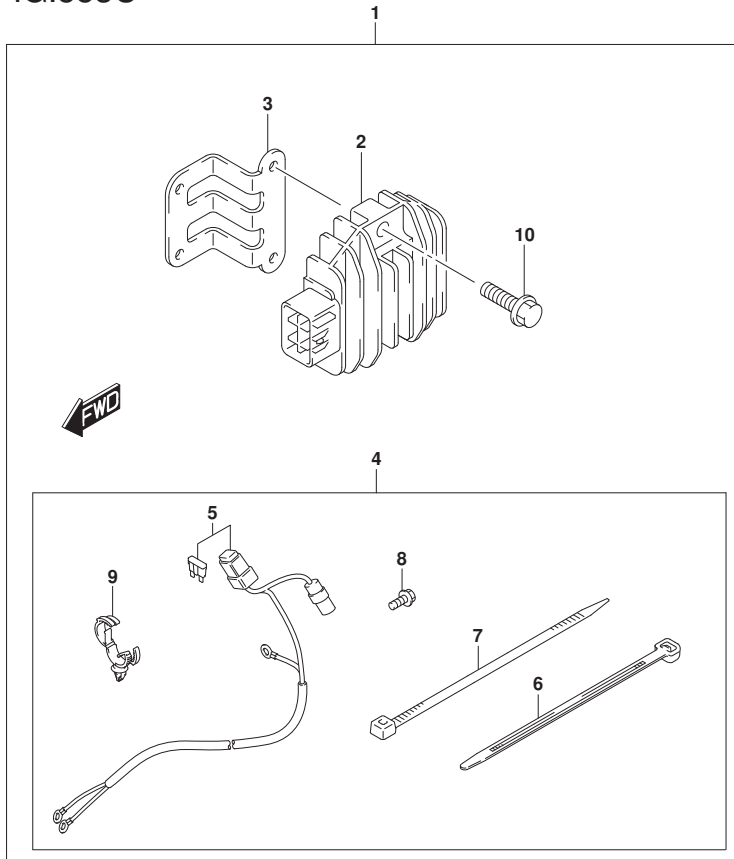


FIG.553C (2-I-6) OPT:ELECTRICAL (MANUAL STARTER) (DF30AQ P01)

REF NO.	PART NO.	DESCRIPTION	Q'TY	REMARKS
1	32000-94L00	KIT, BATTERY CHARGING	1	
2	32800-88L00	.RECTIFIER & REGULATOR ASSY	1	
3	32815-94L00	.BRACKET, RECTIFIER	1	
4	39600-94L00	.RECEPTACLE SET	1	
5	36740-94L00	..CASE ASSY, FUSE	1	
6	09407-14403	..CLAMP (L:125)	2	
7	09407-14407	..CLAMP (L:145)	3	
8	01550-06127	..BOLT	1	
9	09403-20308	..CLAMP	1	
10	01550-06207	..BOLT	2	
11	36990-87D00	TERMINAL & SLEEVE SET	1	

FIG.561A

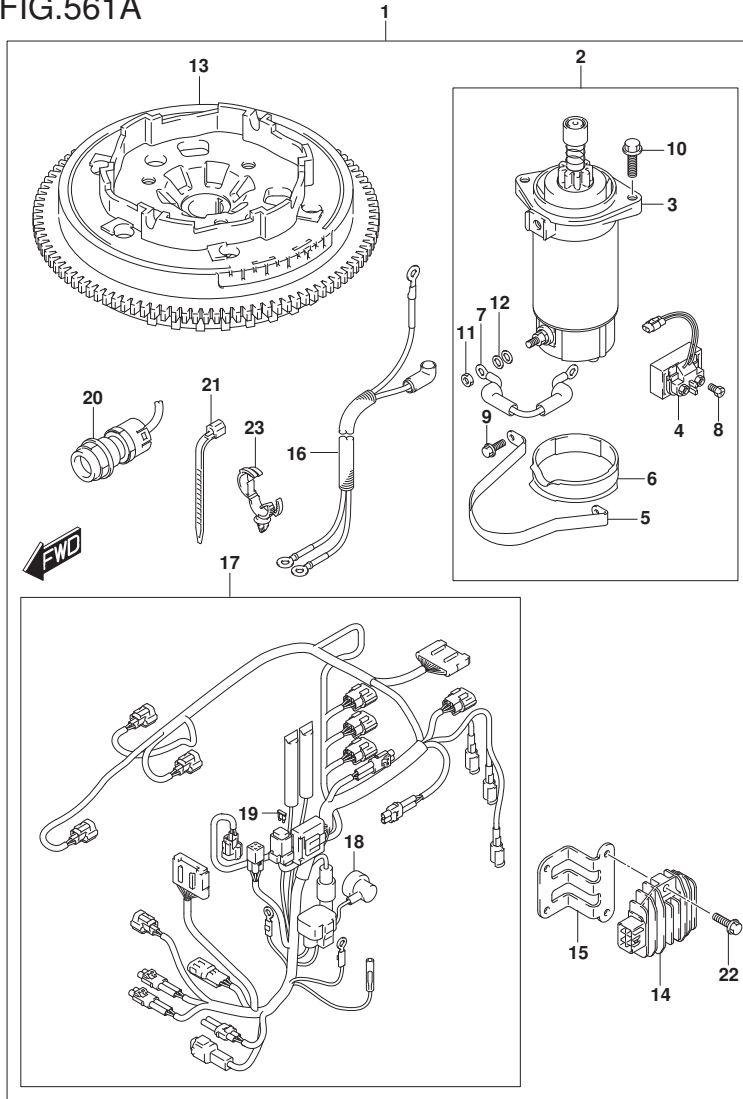


FIG.561A (2-I-7) OPT:STARTING MOTOR (MANUAL STARTER) (DF25A P01)

REF NO.	PART NO.	DESCRIPTION	Q'TY	REMARKS
1	31000-94L02	STARTER SET, ELECTRIC	1	
2	31101-94L00	..MOTOR SET, STARTER	1	
3	31100-94401	..MOTOR ASSY, STARTING	1	
4	31800-94L00	..RELAY ASSY, STARTER MOTOR	1	
5	31912-94L00	..BAND, STARTER MOTOR	1	
6	31918-94401	..DAMPER, LOWER	1	
7	33820-89E01	..CABLE, PLUS TERM TO RELAY	1	
8	09128-06013	..SCREW (6X8)	2	
9	01550-06167	..BOLT	2	
10	01550-08257	..BOLT	2	
11	08310-00067	..NUT	1	
12	08321-01067	..WASHER, LOCK	1	
13	32102-94L10	..FLYWHEEL, MAGNETO	1	
14	32800-88L00	..RECTIFIER & REGULATOR ASSY	1	
15	32815-94L00	..BRACKET, RECTIFIER	1	
16	33810-94L01	..CABLE, STARTER	1	
17	36610-94L10	..HARNES ASSY, WIRING (ME)	1	
18	36618-43410	..CAP, OIL PRESSURE SWITCH	1	
19	09481-30501	..FUSE (30A)	1	
20	37161-89L02	..SWITCH ASSY, STARTER MOTOR	1	
21	09407-18402	..CLAMP (L:165)	1	
22	01550-06207	..BOLT	2	
23	09403-20308	..CLAMP	1	

FIG.561B

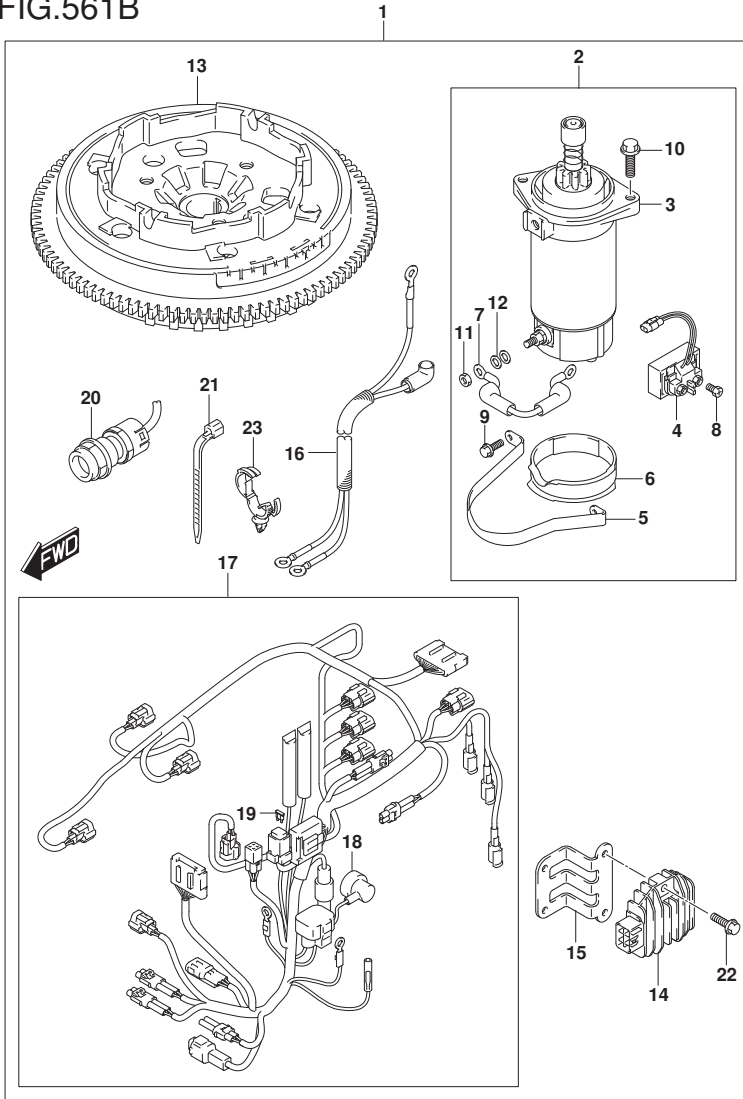


FIG.561B (2-I-8) OPT:STARTING MOTOR (MANUAL STARTER) (DF30A P40)

REF NO.	PART NO.	DESCRIPTION	Q'TY	REMARKS
1	31000-94L02	STARTER SET, ELECTRIC	1	
2	31101-94L00	..MOTOR SET, STARTER	1	
3	31100-94401	..MOTOR ASSY, STARTING	1	
4	31800-94L00	..RELAY ASSY, STARTER MOTOR	1	
5	31912-94L00	..BAND, STARTER MOTOR	1	
6	31918-94401	..DAMPER, LOWER	1	
7	33820-89E01	..CABLE, PLUS TERM TO RELAY	1	
8	09128-06013	..SCREW (6X8)	2	
9	01550-06167	..BOLT	2	
10	01550-08257	..BOLT	2	
11	08310-00067	..NUT	1	
12	08321-01067	..WASHER, LOCK	1	
13	32102-94L10	..FLYWHEEL, MAGNETO	1	
14	32800-88L00	..RECTIFIER & REGULATOR ASSY	1	
15	32815-94L00	..BRACKET, RECTIFIER	1	
16	33810-94L01	..CABLE, STARTER	1	
17	36610-94L10	..HARNES ASSY, WIRING (ME)	1	
18	36618-43410	..CAP, OIL PRESSURE SWITCH	1	
19	09481-30501	..FUSE (30A)	1	
20	37161-89L02	..SWITCH ASSY, STARTER MOTOR	1	
21	09407-18402	..CLAMP (L:165)	1	
22	01550-06207	..BOLT	2	
23	09403-20308	..CLAMP	1	

FIG.561C

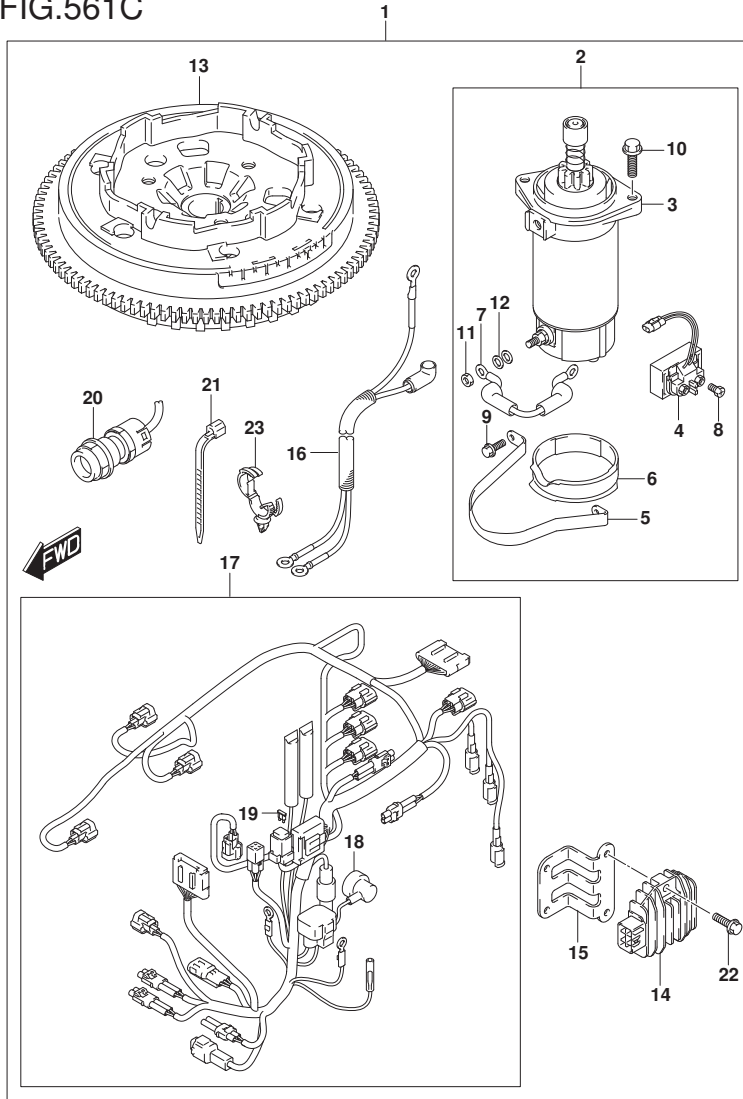


FIG.561C (2-I-9) OPT:STARTING MOTOR (MANUAL STARTER) (DF30AQ P01)

REF NO.	PART NO.	DESCRIPTION	Q'TY	REMARKS
1	31000-94L02	STARTER SET, ELECTRIC	1	
2	31101-94L00	.MOTOR SET, STARTER	1	
3	31100-94401	..MOTOR ASSY, STARTING	1	
4	31800-94L00	..RELAY ASSY, STARTER MOTOR	1	
5	31912-94L00	..BAND, STARTER MOTOR	1	
6	31918-94401	..DAMPER, LOWER	1	
7	33820-89E01	..CABLE, PLUS TERM TO RELAY	1	
8	09128-06013	..SCREW (6X8)	2	
9	01550-06167	..BOLT	2	
10	01550-08257	..BOLT	2	
11	08310-00067	..NUT	1	
12	08321-01067	..WASHER, LOCK	1	
13	32102-94L10	..FLYWHEEL, MAGNETO	1	
14	32800-88L00	..RECTIFIER & REGULATOR ASSY	1	
15	32815-94L00	..BRACKET, RECTIFIER	1	
16	33810-94L01	..CABLE, STARTER	1	
17	36610-94L10	..HARNES ASSY, WIRING (ME)	1	
18	36618-43410	..CAP, OIL PRESSURE SWITCH	1	
19	09481-30501	..FUSE (30A)	1	
20	37161-89L02	..SWITCH ASSY, STARTER MOTOR	1	
21	09407-18402	..CLAMP (L:165)	1	
22	01550-06207	..BOLT	2	
23	09403-20308	..CLAMP	1	

FIG.575A

FIG.575A (2-I-10) OPT:DRAG LINK (DF25A P01)

REF NO.	PART NO.	DESCRIPTION	QTY	REMARKS
1	41161-94400	SEAL, STEERING CABLE	1	
2	67701-94L00	LINK ASSY, DRAG	1	
3	67721-94L00	.SPACER	1	
4	67725-96J00	.BOLT	1	
5	67726-99E00	.NUT	2	
6	67728-99E00	.WASHER	4	

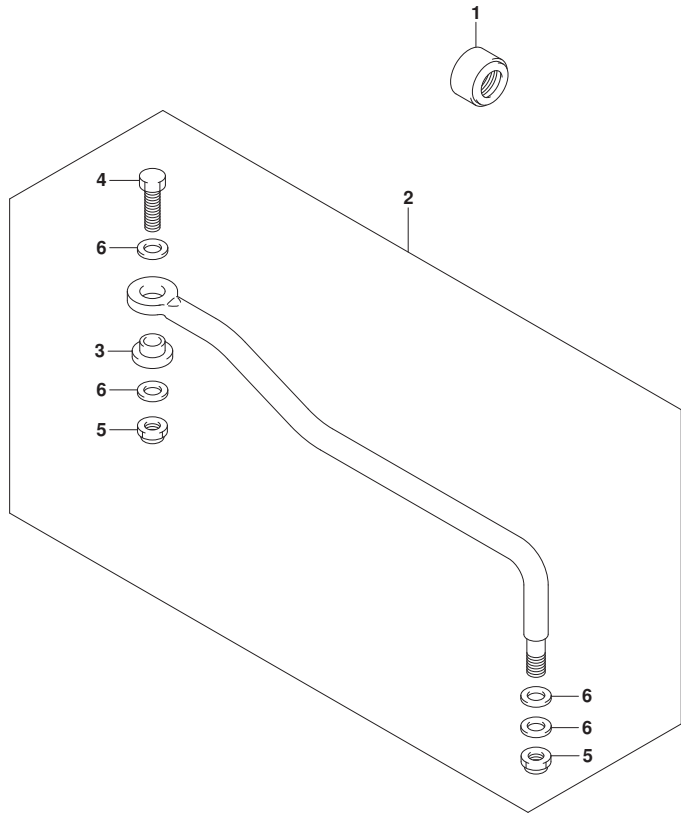


FIG.575B

FIG.575B (2-I-11) OPT:DRAG LINK (DF25ATH P01)

REF NO.	PART NO.	DESCRIPTION	QTY	REMARKS
1	41161-94400	SEAL, STEERING CABLE	1	
2	67701-94L00	LINK ASSY, DRAG	1	
3	67721-94L00	.SPACER	1	
4	67725-96J00	.BOLT	1	
5	67726-99E00	.NUT	2	
6	67728-99E00	.WASHER	4	

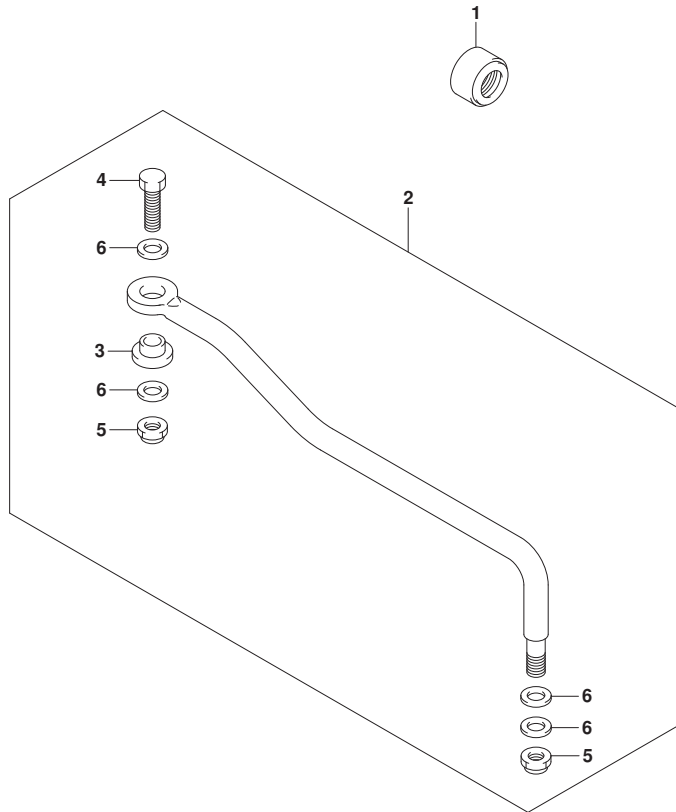


FIG.575C

FIG.575C (2-I-12) OPT:DRAG LINK (DF30A P40)

REF NO.	PART NO.	DESCRIPTION	QTY	REMARKS
1	41161-94400	SEAL, STEERING CABLE	1	
2	67701-94L00	LINK ASSY, DRAG	1	
3	67721-94L00	.SPACER	1	
4	67725-96J00	.BOLT	1	
5	67726-99E00	.NUT	2	
6	67728-99E00	.WASHER	4	

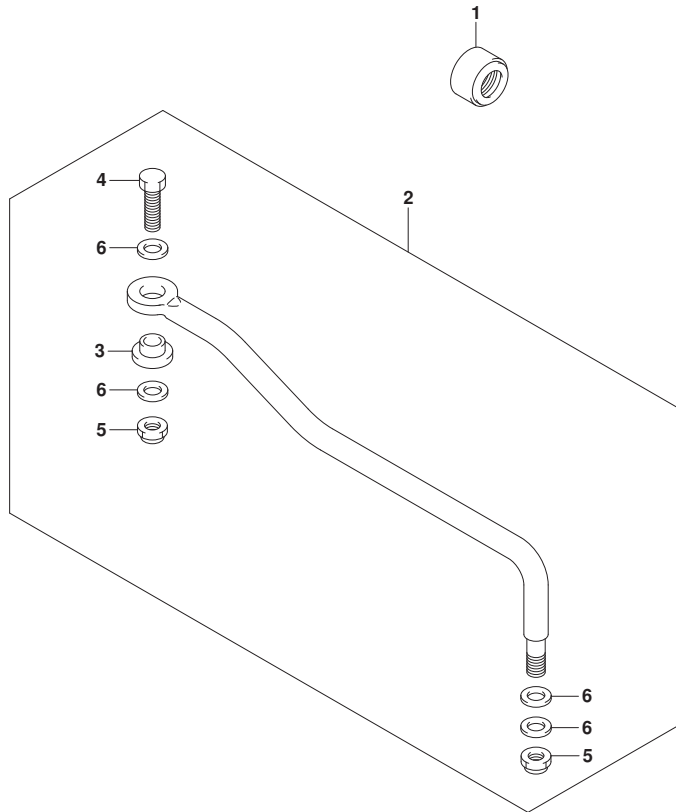


FIG.575D

FIG.575D (2-I-13) OPT:DRAG LINK (DF30ATH P01)

REF NO.	PART NO.	DESCRIPTION	QTY	REMARKS
1	41161-94400	SEAL, STEERING CABLE	1	
2	67701-94L00	LINK ASSY, DRAG	1	
3	67721-94L00	.SPACER	1	
4	67725-96J00	.BOLT	1	
5	67726-99E00	.NUT	2	
6	67728-99E00	.WASHER	4	

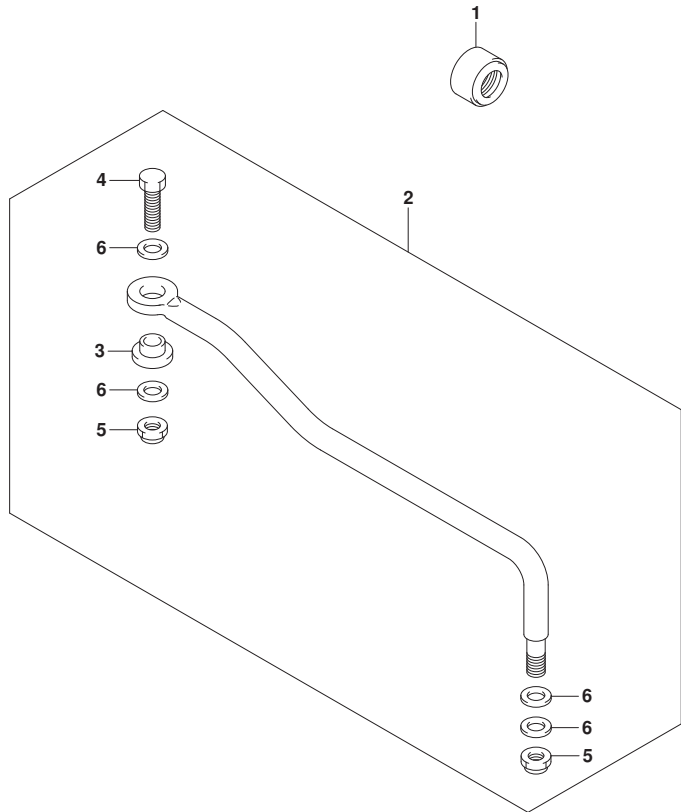


FIG.575E

FIG.575E (2-I-14) OPT:DRAG LINK (DF30AQ P01)

REF NO.	PART NO.	DESCRIPTION	QTY	REMARKS
1	41161-94400	SEAL, STEERING CABLE	1	
2	67701-94L00	LINK ASSY, DRAG	1	
3	67721-94L00	.SPACER	1	
4	67725-96J00	.BOLT	1	
5	67726-99E00	.NUT	2	
6	67728-99E00	.WASHER	4	

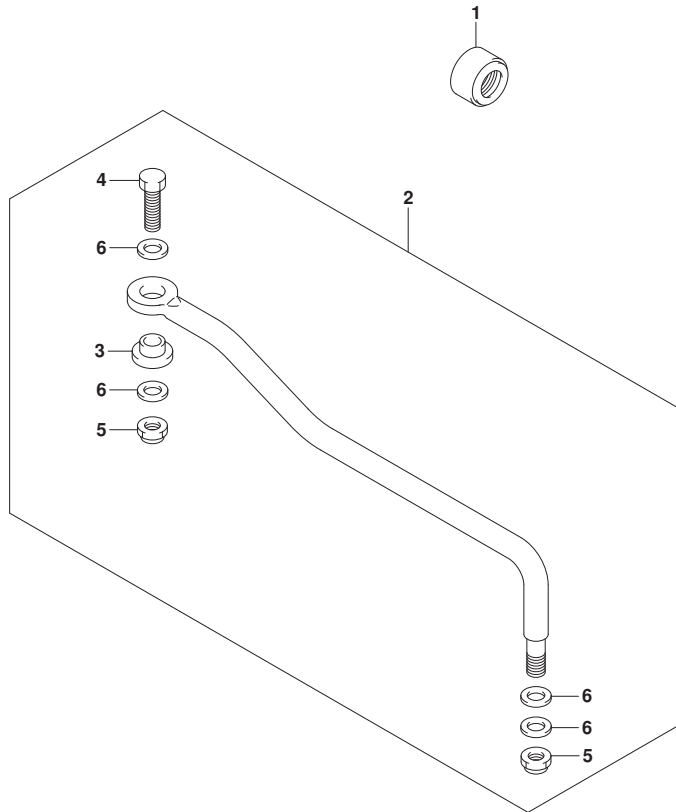


FIG.600A

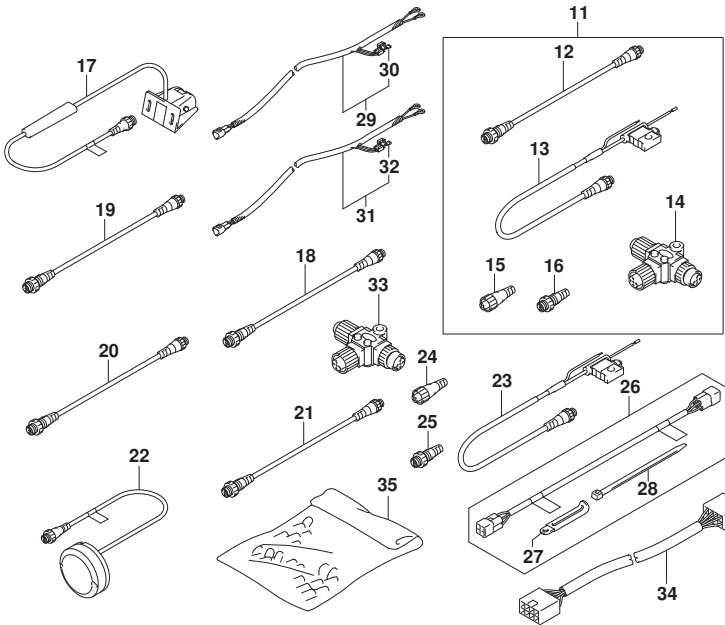
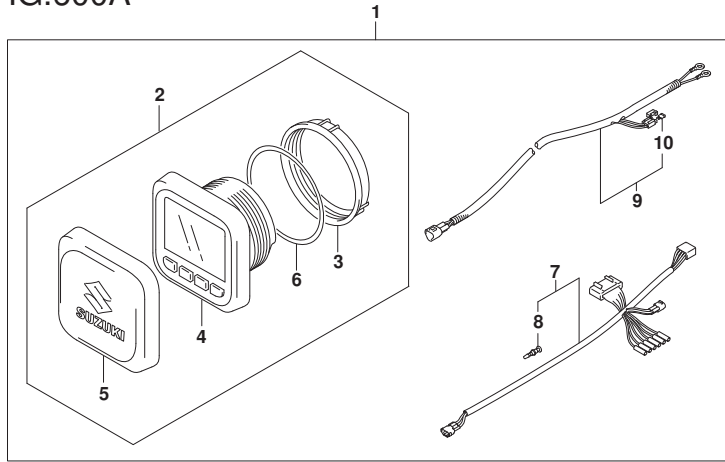


FIG.600A (2-I-15) OPT:MULTI FUNCTION GAUGE (DF25AR P01)

REF NO.	PART NO.	DESCRIPTION	Q'TY	REMARKS
1	34000-96L41	KIT, SINGLE GAUGE MECH	1	
2	34011-96L11	.SET, MULTI GAUGE	1	
3	34112-96L00	..NUT, GAUGE	1	
4	34193-96L00	..BEZEL, GAUGE	1	
5	34211-96L00	..COVER, GAUGE	1	
6	34825-96L00	..PACKING, GAUGE	1	
7	36661-96L10	ADAPTER, GAUGE	1	
8	36615-96300	..TERMINAL	5	
9	36663-98J10	..WIRE, GAUGE POWER (6M)	1	
10	09481-05501	..FUSE (5A)	1	
11	36001-88L00	SET, WIRE	1	
12	36662-88L10	..WIRE, 2 EXTENSION	1	
13	36663-88L00	..HARNESS ASSY, NETWORK POWER	1	
14	36664-88L00	..CONNECTOR, BRANCH	1	
15	36665-88L00	..UNIT, RESISTOR FEMALE	1	
16	36665-88L10	..UNIT, RESISTOR MALE	1	
17	34190-88L00	SENSOR ASSY, PAD WHEEL	1	
18	36662-88L10	WIRE, 2 EXTENSION	1	
19	36662-88L20	WIRE, 6 EXTENSION	1	
20	36662-88L30	WIRE, 15 EXTENSION	1	
21	36662-88L00	WIRE, 25 EXTENSION	1	
22	39950-88L02	MODULE ASSY, GPS RECEIVER	1	
23	36663-88L00	HARNESS ASSY, NETWORK POWER	1	
24	36665-88L00	UNIT, RESISTOR FEMALE	1	
25	36665-88L10	UNIT, RESISTOR MALE	1	
26	36660-89L01	SET, ENG TO INTERFACE WIRE	1	
27	29404-93J10	..CLAMP	1	
28	09407-14407	..CLAMP (L:145)	4	
29	36663-98J00	WIRE, GAUGE POWER (2.5M)	1	
30	09481-05501	..FUSE (5A)	1	
31	36663-98J10	WIRE, GAUGE POWER (6M)	1	
32	09481-05501	..FUSE (5A)	1	
33	36664-88L00	CONNECTOR, BRANCH	1	
34	36667-96L20	WIRE, GAUGE EXT	1	
35	36990-87D00	TERMINAL & SLEEVE SET	1	

FIG.600B

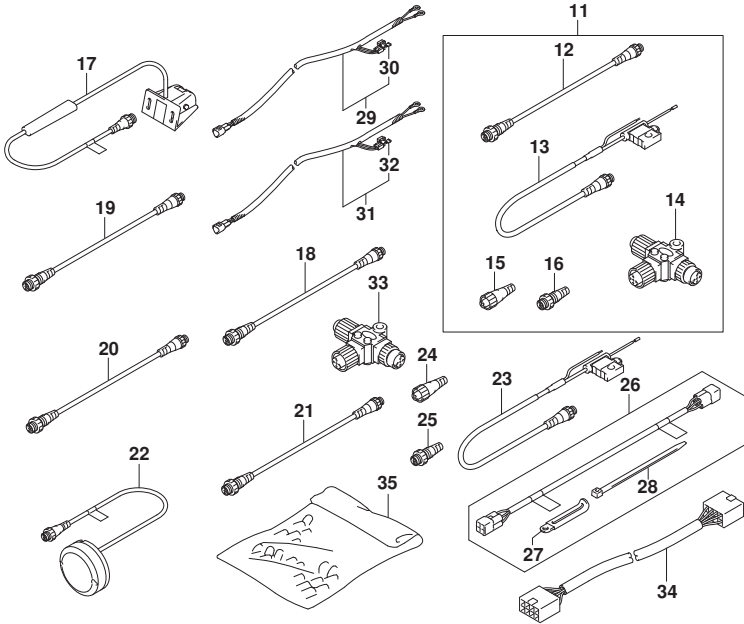
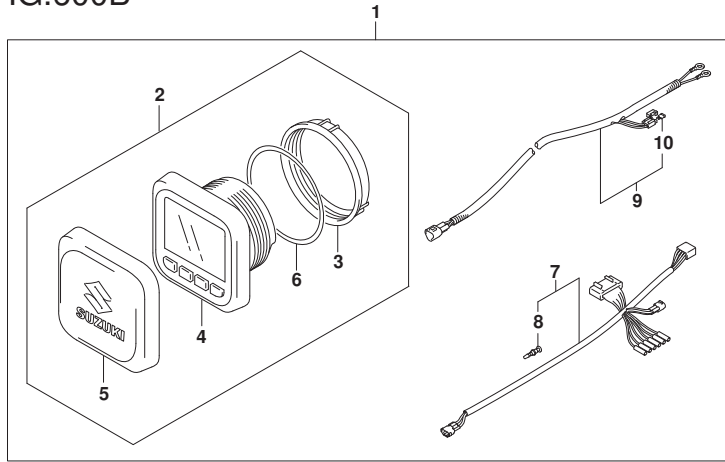


FIG.600B (2-J-2) OPT:MULTI FUNCTION GAUGE (DF25AT P01)

REF NO.	PART NO.	DESCRIPTION	Q'TY	REMARKS
1	34000-96L41	KIT, SINGLE GAUGE MECH	1	
2	34011-96L11	.SET, MULTI GAUGE	1	
3	34112-96L00	..NUT, GAUGE	1	
4	34193-96L00	..BEZEL, GAUGE	1	
5	34211-96L00	..COVER, GAUGE	1	
6	34825-96L00	..PACKING, GAUGE	1	
7	36661-96L10	ADAPTER, GAUGE	1	
8	36615-96300	..TERMINAL	5	
9	36663-98J10	..WIRE, GAUGE POWER (6M)	1	
10	09481-05501	..FUSE (5A)	1	
11	36001-88L00	SET, WIRE	1	
12	36662-88L10	..WIRE, 2 EXTENSION	1	
13	36663-88L00	..HARNESS ASSY, NETWORK POWER	1	
14	36664-88L00	..CONNECTOR, BRANCH	1	
15	36665-88L00	..UNIT, RESISTOR FEMALE	1	
16	36665-88L10	..UNIT, RESISTOR MALE	1	
17	34190-88L00	SENSOR ASSY, PAD WHEEL	1	
18	36662-88L10	WIRE, 2 EXTENSION	1	
19	36662-88L20	WIRE, 6 EXTENSION	1	
20	36662-88L30	WIRE, 15 EXTENSION	1	
21	36662-88L00	WIRE, 25 EXTENSION	1	
22	39950-88L02	MODULE ASSY, GPS RECEIVER	1	
23	36663-88L00	HARNESS ASSY, NETWORK POWER	1	
24	36665-88L00	UNIT, RESISTOR FEMALE	1	
25	36665-88L10	UNIT, RESISTOR MALE	1	
26	36660-89L01	SET, ENG TO INTERFACE WIRE	1	
27	29404-93J10	..CLAMP	1	
28	09407-14407	..CLAMP (L:145)	4	
29	36663-98J00	WIRE, GAUGE POWER (2.5M)	1	
30	09481-05501	..FUSE (5A)	1	
31	36663-98J10	WIRE, GAUGE POWER (6M)	1	
32	09481-05501	..FUSE (5A)	1	
33	36664-88L00	CONNECTOR, BRANCH	1	
34	36667-96L20	WIRE, GAUGE EXT	1	
35	36990-87D00	TERMINAL & SLEEVE SET	1	

FIG.600C

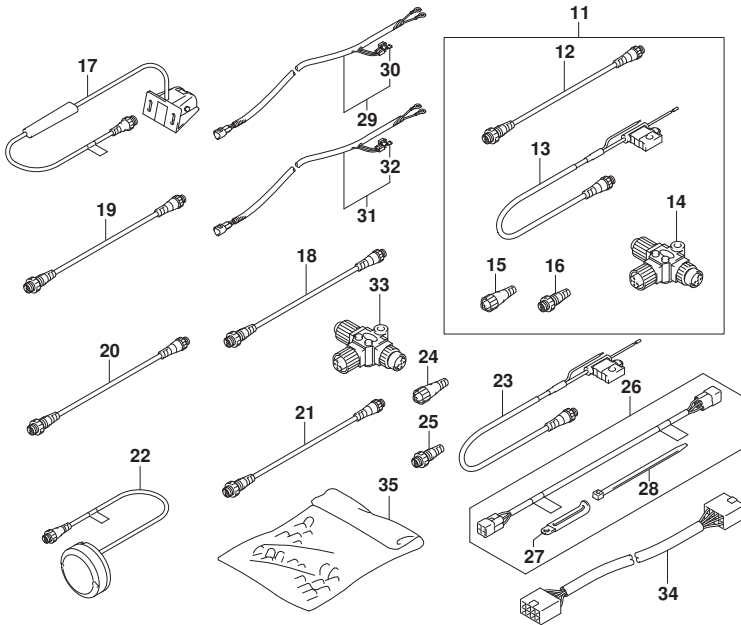
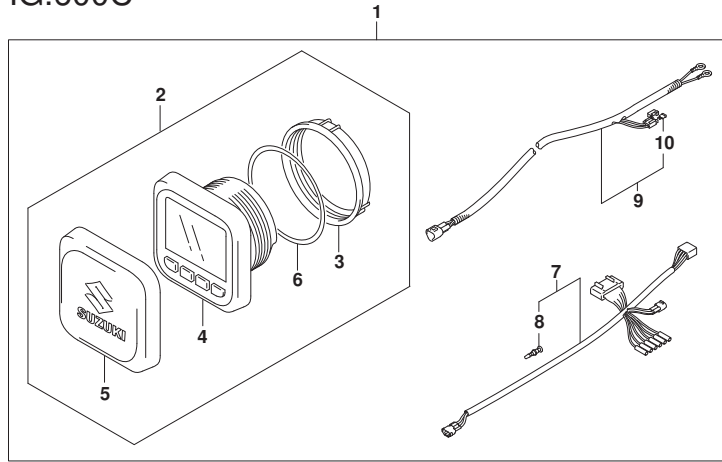


FIG.600C (2-J-3) OPT:MULTI FUNCTION GAUGE (DF30AR P01)

REF NO.	PART NO.	DESCRIPTION	Q'TY	REMARKS
1	34000-96L41	KIT, SINGLE GAUGE MECH	1	
2	34011-96L11	.SET, MULTI GAUGE	1	
3	34112-96L00	..NUT, GAUGE	1	
4	34193-96L00	..BEZEL, GAUGE	1	
5	34211-96L00	..COVER, GAUGE	1	
6	34825-96L00	..PACKING, GAUGE	1	
7	36661-96L10	ADAPTER, GAUGE	1	
8	36615-96300	..TERMINAL	5	
9	36663-98J10	..WIRE, GAUGE POWER (6M)	1	
10	09481-05501	..FUSE (5A)	1	
11	36001-88L00	SET, WIRE	1	
12	36662-88L10	..WIRE, 2 EXTENSION	1	
13	36663-88L00	..HARNESS ASSY, NETWORK POWER	1	
14	36664-88L00	..CONNECTOR, BRANCH	1	
15	36665-88L00	..UNIT, RESISTOR FEMALE	1	
16	36665-88L10	..UNIT, RESISTOR MALE	1	
17	34190-88L00	SENSOR ASSY, PAD WHEEL	1	
18	36662-88L10	WIRE, 2 EXTENSION	1	
19	36662-88L20	WIRE, 6 EXTENSION	1	
20	36662-88L30	WIRE, 15 EXTENSION	1	
21	36662-88L00	WIRE, 25 EXTENSION	1	
22	39950-88L02	MODULE ASSY, GPS RECEIVER	1	
23	36663-88L00	HARNESS ASSY, NETWORK POWER	1	
24	36665-88L00	UNIT, RESISTOR FEMALE	1	
25	36665-88L10	UNIT, RESISTOR MALE	1	
26	36660-89L01	SET, ENG TO INTERFACE WIRE	1	
27	29404-93J10	..CLAMP	1	
28	09407-14407	..CLAMP (L:145)	4	
29	36663-98J00	WIRE, GAUGE POWER (2.5M)	1	
30	09481-05501	..FUSE (5A)	1	
31	36663-98J10	WIRE, GAUGE POWER (6M)	1	
32	09481-05501	..FUSE (5A)	1	
33	36664-88L00	CONNECTOR, BRANCH	1	
34	36667-96L20	WIRE, GAUGE EXT	1	
35	36990-87D00	TERMINAL & SLEEVE SET	1	

FIG.600D

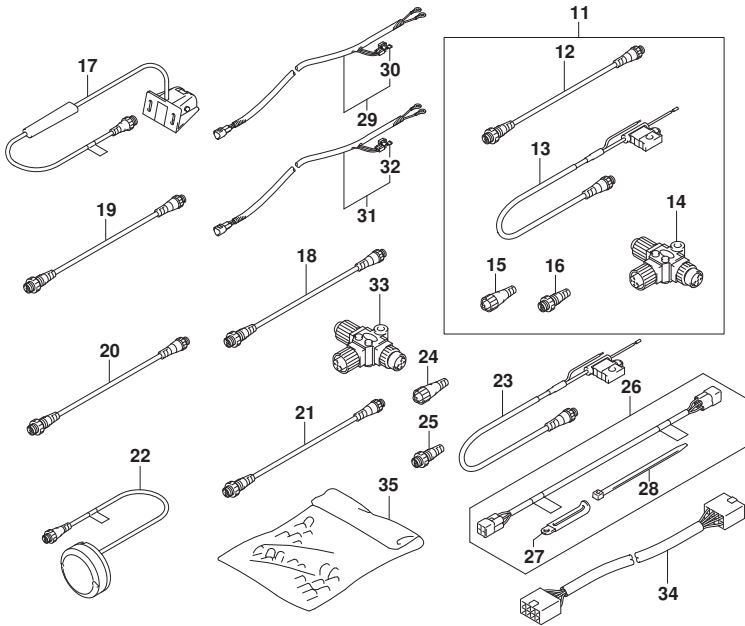
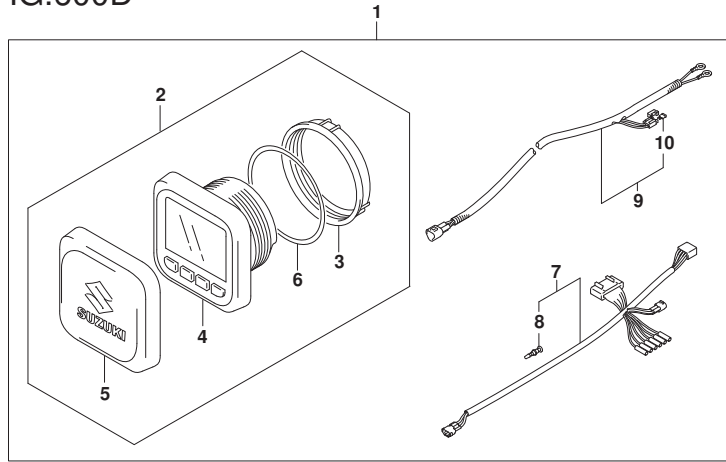


FIG.600D (2-J-4) OPT:MULTI FUNCTION GAUGE (DF30AT P01)

REF NO.	PART NO.	DESCRIPTION	Q'TY	REMARKS
1	34000-96L41	KIT, SINGLE GAUGE MECH	1	
2	34011-96L11	.SET, MULTI GAUGE	1	
3	34112-96L00	..NUT, GAUGE	1	
4	34193-96L00	..BEZEL, GAUGE	1	
5	34211-96L00	..COVER, GAUGE	1	
6	34825-96L00	..PACKING, GAUGE	1	
7	36661-96L10	ADAPTER, GAUGE	1	
8	36615-96300	..TERMINAL	5	
9	36663-98J10	..WIRE, GAUGE POWER (6M)	1	
10	09481-05501	..FUSE (5A)	1	
11	36001-88L00	SET, WIRE	1	
12	36662-88L10	..WIRE, 2 EXTENSION	1	
13	36663-88L00	..HARNESS ASSY, NETWORK POWER	1	
14	36664-88L00	..CONNECTOR, BRANCH	1	
15	36665-88L00	..UNIT, RESISTOR FEMALE	1	
16	36665-88L10	..UNIT, RESISTOR MALE	1	
17	34190-88L00	SENSOR ASSY, PAD WHEEL	1	
18	36662-88L10	WIRE, 2 EXTENSION	1	
19	36662-88L20	WIRE, 6 EXTENSION	1	
20	36662-88L30	WIRE, 15 EXTENSION	1	
21	36662-88L00	WIRE, 25 EXTENSION	1	
22	39950-88L02	MODULE ASSY, GPS RECEIVER	1	
23	36663-88L00	HARNESS ASSY, NETWORK POWER	1	
24	36665-88L00	UNIT, RESISTOR FEMALE	1	
25	36665-88L10	UNIT, RESISTOR MALE	1	
26	36660-89L01	SET, ENG TO INTERFACE WIRE	1	
27	29404-93J10	..CLAMP	1	
28	09407-14407	..CLAMP (L:145)	4	
29	36663-98J00	WIRE, GAUGE POWER (2.5M)	1	
30	09481-05501	..FUSE (5A)	1	
31	36663-98J10	WIRE, GAUGE POWER (6M)	1	
32	09481-05501	..FUSE (5A)	1	
33	36664-88L00	CONNECTOR, BRANCH	1	
34	36667-96L20	WIRE, GAUGE EXT	1	
35	36990-87D00	TERMINAL & SLEEVE SET	1	

PART NO.	FIG.NO.-REF.NO.	PART NO.	FIG.NO.-REF.NO.	PART NO.	FIG.NO.-REF.NO.
10000			122E-1		334J-9
			122F-1	13655-87J00	334A-10
			122G-1		334B-9
			122H-1		334C-9
			122J-1		334D-9
	11110-94L00	111A-1	13119-94L00	122A-2	334E-10
	11112-84400	113A-2		122B-2	334F-9
	11115-30D70	111A-14		122C-2	334G-9
	11119-94L00	111A-2		122D-2	334H-9
	11141-94L00	111A-3		122E-2	334J-10
11162-94L00	111A-5		122F-2	13711-94L00	
11170-94L00	111A-6		122G-2	122A-16	
11174-94L00	111A-7		122H-2	122G-2	
11261-93J00	139A-7		122I-2	122C-16	
11291-94L00	113A-7	13125-94L00	122A-3	122E-16	
11301-94L00	113A-1		122B-3	122F-16	
11382-93E00	111A-8		122C-3	122G-16	
12100-89L00-050	116A-10		122D-3	122H-16	
12111-89L00-0B0	116A-1		122E-3	122J-16	
12140-89L00	116A-2		122F-3	13800-94L01	
12140-89L00-050	116A-11		122G-3	122B-14	
12151-89L00	116A-3		122H-3	122C-14	
12160-89L11	116A-5		122J-3	122D-14	
12163-89L02	116A-6	13300-94L00	163A-1	122E-14	
12220-94L00	116A-7	13510-94L00	166B-1	122F-14	
12341-89L10	116A-8		166C-1	122G-14	
12631-94L00	120A-1		166F-1	122H-14	
12635-89L00	120A-2		166G-1	122J-14	
12637-89L00	120A-3		513A-2	122A-15	
12638-89L00	120A-4		513B-2	122B-15	
12700-94L01	121A-1		513C-2	122C-15	
12741-94L00	120A-5		513D-2	122D-15	
12744-94L00	120A-6		513E-2	122E-15	
12761-94L00	120A-12	13640-32G20	334A-1	122F-15	
12764-94L00	120A-13		334B-1	122G-15	
12840-94L00	121A-3		334C-1	122H-15	
12842-09J00	121A-4		334D-1	122J-15	
12843-27A00	121A-5		334E-1	122A-17	
12861-94L00	121A-6		334F-1	122B-17	
12862-94L00	121A-7		334G-1	122C-17	
12911-94L10	121A-10		334H-1	122D-17	
12915-94L60	121A-11		334J-1	122E-17	
12921-94L00	121A-12	13650-52G00	334A-9	122F-17	
12931-78G00	121A-13		334B-8	122G-17	
12932-50MA0	121A-14		334C-8	122H-17	
12933-71C00	121A-15		334D-8	122J-17	
13110-94L00	122A-1		334E-9	122A-18	
	122B-1		334F-8	122B-18	
	122C-1		334G-8	122C-18	
	122D-1		334H-8	122D-18	

PART NO.	FIG.NO.-REF.NO.	PART NO.	FIG.NO.-REF.NO.	PART NO.	FIG.NO.-REF.NO.
	122E-18	13851-94L00	122A-24		146D-26
	122F-18		122B-24		146E-26
	122G-18		122C-24		146F-26
	122H-18		122D-24		146G-26
	122J-18		122E-24		146H-26
13815-94L00	122A-19		122F-24	15194-94L00	146J-26
	122B-19		122G-24		146A-27
	122C-19		122H-24		146B-27
	122D-19		122J-24		146C-27
	122E-19	14110-94L00	139A-1		146D-27
	122F-19	14151-94L00	139A-2		146E-27
	122G-19	15100-94L00	146A-22		146F-27
	122H-19		146B-22		146G-27
	122J-19		146C-22		146H-27
13816-94L00	122A-20		146D-22		146J-27
	122B-20		146F-22	15194-94L10	146A-28
	122C-20		146G-22		146B-28
	122D-20		146H-22		146C-28
	122E-20		146J-22		146D-28
	122F-20	15100-94L10	146E-22		146E-28
	122G-20	15131-94L00	146A-23		146F-28
	122H-20		146B-23		146G-28
	122J-20		146C-23		146H-28
13817-94L00	122A-21		146D-23		146J-28
	122B-21		146E-23	15194-94L20	146A-29
	122C-21		146F-23		146B-29
	122D-21		146G-23		146C-29
	122E-21		146H-23		146D-29
	122F-21		146J-23		146E-29
	122G-21	15191-94L00	146A-24		146F-29
	122H-21		146B-24		146G-29
13820-94L00	122J-21		146C-24		146H-29
	122A-23		146D-24		146J-29
	122B-23		146E-24	15194-94L30	146A-30
	122C-23		146F-24		146B-30
	122D-23		146G-24		146C-30
13832-94L00	122E-23		146H-24		146D-30
	122F-23		146J-24		146E-30
	122G-23	15192-94L00	146A-25		146F-30
	122H-23		146B-25		146G-30
	122J-23		146C-25		146H-30
13841-94L00	122A-22		146D-25		146J-30
	122B-22		146E-25	15194-94L40	146A-31
	122C-22		146F-25		146B-31
	122D-22		146G-25		146C-31
	122E-22		146H-25		146D-31
	122F-22		146J-25		146E-31
	122G-22	15193-94L00	146A-26		146F-31
	122H-22		146B-26		146G-31
	122J-22		146C-26		146H-31

PART NO.	FIG.NO.-REF.NO.	PART NO.	FIG.NO.-REF.NO.	PART NO.	FIG.NO.-REF.NO.
15200-94L10	146J-31		146D-35		146J-5
	146A-1		146E-35	15681-94L00	144A-1
	146B-1		146F-35	15710-82M00	144A-2
	146C-1		146G-35	15715-82M00	144A-3
	146D-1		146H-35	15750-94L00	144A-4
	146E-1	15422-94L00	146J-35	15770-94L00	146A-6
	146F-1		146A-36		146B-6
	146G-1		146B-36		146C-6
	146H-1		146C-36		146D-6
	146J-1		146D-36		146E-6
15211-91J00-350	162A-5		146E-36		146F-6
15217-94L00	146A-2		146F-36		146G-6
	146B-2		146G-36		146H-6
	146C-2		146H-36		146J-6
	146D-2		146J-36	15820-94L00	146A-7
	146E-2	15600-94L00	146A-4		146B-7
	146F-2		146B-4		146C-7
	146G-2		146C-4		146D-7
	146H-2		146D-4		146E-7
	146J-2		146E-4		146F-7
15410-87L00	146A-32		146F-4		146G-7
	146B-32		146G-4		146H-7
	146C-32		146H-4		146J-7
	146D-32		146J-4	16400-94L00	175A-1
	146E-32	15629-89L00	146A-8	16431-94L00	175A-2
146F-32	146B-8		16440-11D00	113A-6	
	146G-32		146C-8	16510-87J00	175A-5
	146H-32		146D-8	16519-94L00	175A-6
	146J-32		146E-8	16520-94L00	175A-7
15410-94L00	146A-3		146F-8	16910-94L01	175A-10
	146B-3		146G-8	16930-94L00	175A-11
	146C-3	15662-94L00	146H-8	17400-94L00	160A-18
	146D-3		146J-8		160B-18
	146E-3		146A-17		160C-18
146F-3	146B-17			160D-18	
146G-3	146C-17			160F-18	
	146H-3		146D-17		160G-18
	146J-3		146E-17		160H-18
15419-87J00	146A-33		146F-17		160J-18
	146B-33		146G-17	17400-94L10	160E-18
	146C-33		146H-17	17411-94L00	160A-1
	146D-33	15674-94L00	146J-17		160B-1
	146E-33		146A-5		160C-1
146F-33	146B-5			160D-1	
146G-33	146C-5			160E-1	
146H-33	146D-5			160F-1	
	146J-33		146E-5		160G-1
15421-94L00	146A-35		146F-5		160H-1
	146B-35		146G-5		160J-1
	146C-35		146H-5	17413-94L00	160A-2

PART NO.	FIG.NO.-REF.NO.	PART NO.	FIG.NO.-REF.NO.	PART NO.	FIG.NO.-REF.NO.
	160B-2		160G-7-1		160C-11
	160C-2		160H-7-1		160D-11
	160D-2	17561-94L10	160E-2	17670-94J00	162A-1
	160F-2		160A-3	17680-94L00	162A-2
	160G-2		160B-3	17685-94L00	162A-7
	160H-2		160C-3	17712-94L00	162A-4
	160J-2		160D-3	17913-93J00	405A-5
17413-94L10	160E-2	17562-94L00	160E-3	160A-8	17914-93J00
	160A-3		160B-8	17917-87LL0	
	160B-3		160C-8		
	160C-3		160D-8		
	160D-3		160E-8		
17461-94L00	160F-7-2		160F-8		410E-30
	160G-7-2		160G-8		410F-30
	160H-7-2		160H-8		410G-30
	160J-7-2		160I-8		410H-30
	160E-2		160J-8		410J-30
17462-94L00	160A-3	17564-94L00	160A-9	18100-94L00	167A-1
	160B-3		160B-9	18117-78K00	
	160C-3		160C-9		
	160D-3		160D-9		
	160E-3		160E-9		
	160F-3	17471-94L00	160F-9		122B-7
	160G-3		160A-5		122C-7
	160H-3		160B-5		122D-7
	160J-3		160B-5		122E-7
	160A-4		160C-5		122F-7
	160B-4	160D-5		122G-7	
	160C-4	17565-94L00	160D-4	160A-17	122H-7
	160D-4		160F-5	160B-17	122J-7
	160E-4		160G-5	160C-17	122A-8
	160F-4		160H-5	160D-17	122B-8
	160G-4		160J-5	160E-17	122C-8
17471-94L00	160H-4	17472-94L00	160F-17		122D-8
	160J-4		160B-6		122E-8
	160A-5		160C-6		122F-8
	160B-5		160D-6		122G-8
	160C-5		160E-6	17631-94L00	160A-10
160D-5	160F-6	160B-10	122J-8		
160E-5	160G-6	160C-10	18121-94JL0		167A-2
160F-5	160H-6	160D-10	18130-93E01		167A-3
160G-5	160J-6	160E-10	18132-89L00		167A-4
	160H-5	17561-94L00	160F-10	18142-93E00	167A-5
	160I-5		160G-10	18173-94L00	122A-10
	160J-5		160H-10		122B-10
	160A-6		160J-10		122C-10
	160B-6		160E-7-1		122D-10
	160C-6	17632-94L00	160F-7-1		122E-10
	160D-6		160A-11		
	160E-6		160B-11		
	160F-6				
	160G-6				

PART NO.	FIG.NO.-REF.NO.	PART NO.	FIG.NO.-REF.NO.	PART NO.	FIG.NO.-REF.NO.	
	122F-10		166G-5		513D-8	
	122G-10		513A-16		513E-8	
	122H-10		513B-16			
	122J-10		513C-16			
18193-94L00	167A-11		513D-16			
18194-94L00	167A-12		513E-16			
18210-95L00	167A-6	19137-94L00	166A-1	20000		
18280-93E00	167A-7		166B-6			
18290-94L00	167A-10		166C-6			
18295-94L00	167A-13		166D-1			
18498-94JL0-160	162A-8		166E-1		21110-94L00	206B-1
18590-58M00	334A-11		166F-6			206C-1
	334B-10		166G-6			206F-1
	334C-10		166H-1			206G-1
	334D-10		166J-1			513A-9
	334E-11	19140-94L00	166B-7			513B-9
	334F-10		166C-7		513C-9	
	334G-10		166F-7		513D-9	
	334H-10		166G-7		513E-9	
19116-94L00	334J-11		513A-6	21111-89L00	206A-1	
	166B-2		513B-6		206D-1	
	166C-2		513C-6		206E-1	
	166F-2		513D-6		206H-1	
	166G-2		513E-6		206J-1	
	513A-3	19140-94L11	166A-2	21122-94L00	206A-2	
	513B-3		166D-2		206B-2	
	513C-3		166E-2		206C-2	
	513D-3		166H-2		206D-2	
	513E-3		166J-2		206E-2	
19120-99J11	166B-3	19140-94L20	166B-8		206F-2	
	166C-3		166C-8		206G-2	
	166F-3		166F-8		206H-2	
	166G-3		166G-8		206J-2	
	513A-4		513A-7	21131-94J00	444A-31	
	513B-4		513B-7		444B-31	
	513C-4		513C-7		444C-31	
	513D-4		513D-7		444D-31	
	513E-4		513E-7		444E-31	
19122-99J00	166B-4	19184-94L00	166A-3	21151-94L00	206A-3	
	166C-4		166D-3		206B-3	
	166F-4		166E-3		206C-3	
	166G-4		166H-3		206D-3	
	513A-5		166J-3		206E-3	
	513B-5	19185-99J00	166B-9		206F-3	
	513C-5		166C-9		206G-3	
	513D-5		166F-9		206H-3	
	513E-5		166G-9		206J-3	
19131-95502	166B-5		513A-8	21210-94L00	206A-4	
	166C-5		513B-8		206B-4	
	166F-5		513C-8		206C-4	

PART NO.	FIG.NO.-REF.NO.	PART NO.	FIG.NO.-REF.NO.	PART NO.	FIG.NO.-REF.NO.	
	206D-4		410D-20		600A-27	
	206E-4		410E-20		600B-27	
	206F-4		410F-20		600C-27	
	206G-4		410G-20		600D-27	
	206H-4		410H-20			
	206J-4		410J-20			
22511-99011	336A-1	23211-94L00	206A-7	30000		
	336B-1		206B-7			
	336C-1		206C-7			
	336D-1		206D-7			
	336E-1		206E-7		31000-94L02	561A-1
	336F-1		206F-7			561B-1
	336G-1		206G-7			561C-1
	336H-1		206H-7		31100-94401	301A-1
	336J-1		206J-7			301B-1
	206A-5-1	23311-95J00	210A-1			301C-1
23111-94L00	206B-5-1	25111-94L00	210A-2		301D-1	
	206C-5-1	25211-94L00	210A-5		301E-1	
	206D-5-1	25215-94L00	210A-6		301F-1	
	206E-5-1	25222-94L00	210A-9		301G-1	
	206F-5-1	25231-96301	210A-10		301H-1	
	206G-5-1	25232-96302	210A-11		301J-1	
	206H-5-1	25311-94L00	210A-3		561A-3	
	206J-5-1	29103-93J00	327B-6		561B-3	
23111-94L10	206A-5-2		327D-6		561C-3	
	206B-5-2	29141-93J00	160A-13	31101-94L00	561A-2	
	206C-5-2		160B-13		561B-2	
	206D-5-2		160C-13		561C-2	
	206E-5-2		160D-13	31111-89J00	340A-2	
	206F-5-2		160E-13		340B-2	
	206G-5-2		160F-13		340C-2	
	206H-5-2		160G-13		340D-2	
	206J-5-2		160H-13	31123-89J00	340A-4	
23115-94L00	206A-6		160J-13		340B-4	
	206D-6		210A-8		340C-4	
	206E-6		335A-12		340D-4	
	206H-6		335B-12	31123-89J10	338A-13	
	206J-6		335E-12		338B-13	
23115-94L10	206B-6		335F-12		338C-13	
	206C-6		336C-14		338D-13	
	206F-6		336D-21	31131-96300	301A-3	
	206G-6		336G-14		301B-3	
	513A-10		336H-21		301C-3	
	513B-10		336J-21		301D-3	
	513C-10	29404-93J10	338A-12		301E-3	
	513D-10		338B-12		301F-3	
	513E-10		338C-12		301G-3	
23131-94L00	410A-20		338D-12		301H-3	
	410B-20		501B-22		301J-3	
	410C-20		501D-22	31132-96300	301A-4	

PART NO.	FIG.NO.-REF.NO.	PART NO.	FIG.NO.-REF.NO.	PART NO.	FIG.NO.-REF.NO.
	301B-4		340C-3		561A-5
	301C-4		340D-3		561B-5
	301D-4	31312-96300	301A-8		561C-5
	301E-4		301B-8	31918-94401	301A-12
	301F-4		301C-8		301B-12
	301G-4		301D-8		301C-12
31135-89J00	301H-4		301E-8		301D-12
	301J-4		301F-8		301E-12
	301A-5		301G-8		301F-12
	301B-5		301H-8		301G-12
	301C-5	31320-94400	301J-8		301H-12
	301D-5		301A-9		301J-12
	301E-5		301B-9		561A-6
	301F-5		301C-9		561B-6
	301G-5		301D-9		561C-6
	301H-5		301E-9	32000-94L00	553A-1
31173-89J00	301J-5		301F-9		553B-1
	301A-2		301G-9		553C-1
	301B-2		301H-9	32102-94L00	303A-1
	301C-2		301J-9		303B-1
	301D-2	31360-96300	301A-10		303C-1
	301E-2		301B-10	32102-94L10	303D-1
	301F-2		301C-10		561A-13
	301G-2		301D-10		561B-13
	301H-2		301E-10		561C-13
	301J-2		301F-10	32120-94L00	303A-2
31173-94L01	340A-5		301G-10		303B-2
	340B-5		301H-10		303C-2
	340C-5		301J-10		303D-2
	340D-5	31800-94L00	310A-19	32160-94L00	303A-3
31281-93340	301A-6		310B-19		303B-3
	301B-6		310C-19		303C-3
	301C-6		310D-19		303D-3
	301D-6		310E-19	32800-88L00	310A-2
	301E-6		310F-19		310B-2
	301F-6		310G-19		310C-2
	301G-6		310H-19		310D-2
	301H-6		310J-19		310E-2
31310-96300	301J-6		561A-4		310F-2
	301A-7		561B-4		310G-2
	301B-7	31912-94L00	561C-4		310H-2
	301C-7		301A-11		310J-2
	301D-7		301B-11		553A-2
	301E-7		301C-11		553B-2
	301F-7		301D-11		553C-2
	301G-7		301E-11		561A-14
31311-89J00	301H-7		301F-11		561B-14
	301J-7		301G-11		561C-14
	340A-3		301H-11	32800-94L00	310A-1
	340B-3		301J-11		310B-1

PART NO.	FIG.NO.-REF.NO.	PART NO.	FIG.NO.-REF.NO.	PART NO.	FIG.NO.-REF.NO.
	310C-1		310G-11		561C-16
	310D-1		310H-11	33820-89E01	301A-13
	310E-1		310J-11		301B-13
	310F-1	33510-16H10	310A-15		301C-13
	310G-1		310B-15		301D-13
	310H-1		310C-15		301E-13
32815-94L00	310J-1		310D-15		301F-13
	310A-3		310E-15		301G-13
	310B-3		310F-15		301H-13
	310C-3		310G-15		301J-13
	310D-3		310H-15		561A-7
	310E-3	33541-16H00	310J-15		561B-7
	310F-3		310A-16		561C-7
	310G-3		310B-16	33833-91J00	444A-21
	310H-3		310C-16		444B-21
	310J-3		310D-16		444C-21
	553A-3		310E-16		444D-21
	553B-3		310F-16		444E-21
	553C-3		310G-16	33920-94L30	310A-17
	561A-15		310H-16		310B-17
	561B-15		310J-16		310C-17
32890-94L00	561C-15	33542-16H00	310A-12		310D-17
	310A-4		310B-12	33920-94L40	310F-17
	310B-4		310C-12		310G-17
	310C-4		310D-12		310H-17
	310D-4		310E-12		310J-17
	310E-4		310F-12	33920-94L50	310E-17
	310F-4		310G-12	33925-94L00	310A-18
	310G-4		310H-12		310B-18
	310H-4		310J-12		310C-18
	310J-4	33634-94L00	322A-3		310D-18
33220-50M00	303A-4		322B-2		310E-18
	303B-4		322C-2		310F-18
	303C-4		322D-3		310G-18
	303D-4		322E-3		310H-18
33410-94L00	310A-10		322F-2		310J-18
	310B-10		322G-2	34000-96L41	600A-1
	310C-10		322H-3		600B-1
	310D-10		322J-3		600C-1
	310E-10	33810-94L01	322A-1		600D-1
	310F-10		322B-1	34011-96L11	600A-2
	310G-10		322C-1		600B-2
	310H-10		322D-1		600C-2
	310J-10		322E-1		600D-2
33446-94L00	310A-11		322F-1	34100-93J20	501A-5-1
	310B-11		322G-1		501B-5-1
	310C-11		322H-1		501C-5-1
	310D-11		322J-1		501D-5-1
	310E-11		561A-16	34100-93J31	501A-5-2
	310F-11		561B-16		501B-5-2

PART NO.	FIG.NO.-REF.NO.	PART NO.	FIG.NO.-REF.NO.	PART NO.	FIG.NO.-REF.NO.
34100-93J40	501C-5-2	34211-96L00	600A-5	36360-94L00	334A-3
	501D-5-2		600B-5		334B-3
	501A-5-3		600C-5		334C-3
	501B-5-3		600D-5		334D-3
	501C-5-3		501A-17-1		334E-3
34100-93J51	501D-5-3	34300-93J00	501B-17-1	36367-89L00	334F-3
	501A-5-4		501C-17-1		334G-3
	501B-5-4		501D-17-1		334H-3
	501C-5-4		501A-17-2		334J-3
	501D-5-4		501B-17-2		334A-4
34112-96L00	600A-3	34310-92E00	501C-17-2	36610-94L00	334B-4
	600B-3		501D-17-2		334C-4
	600C-3		501A-18		334D-4
	600D-3		501B-18		334E-4
	501A-12		501C-18		334F-4
34190-87D00	501B-12	34360-92E00	501D-18	36610-94L10	334G-4
	501C-12		501A-19		334H-4
	501D-12		501B-19		334J-4
	600A-17		501C-19		322A-4
	600B-17		501D-19		322E-4
34190-95500	600C-17	34500-93J00	501A-1-1	36610-94L10	322J-4
	600D-17		501B-1-1		322A-6
	501A-10		501C-1-1		322E-6
	501B-10		501D-1-1		322J-6
	501C-10		501A-1-2		561A-17
34191-92E00	501D-10	34500-93J11	501B-1-2	36610-94L20	561B-17
	501A-7		501C-1-2		561C-17
	501B-7		501D-1-2		322B-3
	501C-7		501A-3-1		322F-3
	501D-7		501B-3-1		513A-11
34193-96L00	600A-4	34600-93J00	501C-3-1	36610-94L31	513C-11
	600B-4		501D-3-1		513E-11
	600C-4		501A-3-2		322D-4
	600D-4		501B-3-2		322H-4
	501A-15-1		501C-3-2		322C-3
34200-93J00	501B-15-1	34800-93J00	501D-3-2	36610-94L41	322G-3
	501C-15-1		501B-23-1		513B-11
	501D-15-1		501D-23-1		513D-11
	501A-15-2		501B-23-2		322A-9
	501B-15-2		501D-23-2		322D-7
34200-93J20	501C-15-2	34801-99E04	501B-25	36615-96300	322E-9
	501D-15-2		501D-25		322H-7
	501A-13-1		600A-6		322J-9
	501B-13-1		600B-6		501A-9
	501C-13-1		600C-6		501B-9
34200-93J32	501D-13-1	36001-88L00	600D-6	36620-94L00	501C-9
	501A-13-2		600A-11		501D-9
	501B-13-2		600B-11		600A-8
	501C-13-2		600C-11		600B-8
	501D-13-2		600D-11		600C-8

PART NO.	FIG.NO.-REF.NO.	PART NO.	FIG.NO.-REF.NO.	PART NO.	FIG.NO.-REF.NO.
36616-94L00	600D-8	36620-94L00	521D-1-2	36662-88L20	600D-12
	322A-10		450A-52		600D-18
	322B-7		450C-52		600A-19
	322C-7		508A-52		600B-19
	322D-8		508B-54		600C-19
36617-93J10	322E-10	36620-94L10	508C-52	36662-88L30	600D-19
	322F-7		508D-54		600A-20
	322G-7		508E-52		600B-20
	322H-8		450B-54		600C-20
	322J-10		450D-54		600D-20
36617-94L00	322A-11	36628-92E00	450A-2	36663-88L00	600A-13
	322B-8		450B-3		600A-23
	322C-8		450C-2		600B-13
	322D-9		450D-3		600B-23
	322E-11		508A-2		600C-13
36617-94L00	322F-8	36646-93J01	508B-3	36663-98J00	600C-23
	322G-8		508C-2		600D-13
	322H-9		508D-3		600D-23
	322J-11		508E-2		600A-29
	301C-18		450B-2		600B-29
36618-43410	301G-18	36656-94L00	450D-2	36663-98J10	600C-29
	513B-39		508B-2		600D-29
	513D-39		410A-31		600A-9
	322A-5		410B-31		600A-31
	322A-7		410C-33		600B-9
36618-43410	322B-4	36660-89L01	410C-33	36664-88L00	600B-31
	322C-4		410D-31		600C-9
	322D-5		410E-31		600C-31
	322E-5		410F-33		600D-9
	322E-7		410G-33		600D-31
36618-43410	322F-4	36660-89L01	410H-31	36665-88L00	600A-14
	322G-4		410J-31		600A-33
	322H-5		600A-26		600B-14
	322J-5		600B-26		600B-33
	322J-7		600C-26		600C-14
36620-93J10	513A-12	36662-88L00	600D-26	36665-88L00	600C-33
	513B-12		600A-7		600D-14
	513C-12		600B-7		600D-33
	513D-12		600C-7		600A-15
	513E-12		600D-7		600A-24
36620-93J10	561A-18	36662-88L00	600A-21	36665-88L10	600B-15
	561B-18		600B-21		600B-24
	561C-18		600C-21		600C-15
	521A-1-1		600D-21		600C-24
	521B-1-1		600A-12		600D-15
36620-93J40	521C-1-1	36662-88L10	600A-18	36665-88L10	600D-24
	521D-1-1		600B-12		600A-16
	521A-1-2		600B-18		600A-25
	521B-1-2		600C-12		600B-16
	521C-1-2		600C-18		600B-25

PART NO.	FIG.NO.-REF.NO.	PART NO.	FIG.NO.-REF.NO.	PART NO.	FIG.NO.-REF.NO.
36667-96L20	600C-16	37100-96J00	513B-38	37141-99E10	530D-3-1
	600C-25		513D-38		530D-19-1
	600D-16		530A-1		450A-4-2
	600D-25		530B-1		450B-5-2
36690-94L00	600A-34	37100-96J24	530C-1	37141-99E20	450C-4-2
	600B-34		530D-1		450D-5-2
	600C-34		530A-17		508A-4-2
	600D-34		530B-17		508B-5-2
36690-94L10	303A-5	37110-93J01	530C-17	37141-99E30	508C-4-2
	303B-5		530D-17		508D-5-2
	303C-5		530A-2		508E-4-2
	303A-6		530A-18		530A-3-2
36740-94L00	303B-6	37110-93J11	530B-2	37141-99E50	530A-19-2
	303C-6		530B-18		530A-3-5
	553A-5		530C-2		530B-3-5
	553B-5		530C-18		530B-19-5
36890-93J00	553C-5	37110-94J02	530D-2	37141-99E80	530C-3-5
	517A-23		530D-18		530C-19-5
	517B-23		450B-4		530D-3-5
	517C-23		450D-4		530D-19-5
36894-87D00	517D-23	37110-94J02	508B-4	37141-99E90	530D-3-8
	544A-16		508D-4		450A-4-6
	544B-16		450A-3		450A-4-6
	544C-16		450C-3		450B-5-6
36990-87D00	544D-16	37139-99E00	508A-3	37141-99E90	450C-4-6
	336A-2		508A-3		450D-5-6
	336B-2		508B-5-3		508A-4-6
	336E-2		508C-3		508B-5-6
36991-94L00	336F-2	37141-99E00	508D-5-3	37143-99E00	508C-4-6
	508A-54		530A-6		508D-5-6
	508B-56		530B-6		508E-4-6
	508C-54		530C-6		530A-3-6
37141-99E00	508D-56	37139-99E20	530D-6	37141-99E60	530A-19-6
	508E-54		530A-22		530A-19-6
	553A-11		530B-22		530B-3-6
	553B-11		530C-22		530B-19-6
37141-99E30	553C-11	37141-99E00	530D-22	37141-99E60	530C-3-6
	600A-35		450A-4-1		530C-3-9
	600B-35		450B-5-1		530C-3-9
	600C-35		450C-4-1		530C-3-9
37141-99E90	600D-35	37141-99E00	450D-5-1	37141-99E90	530D-19-9
	322A-18		508A-4-1		450A-4-7
	322B-15		508B-5-1		450B-5-7
	322C-15		508C-4-1		450C-4-7
37143-99E00	322D-16	37141-99E00	508D-5-1	37143-99E00	450D-5-7
	322E-18		508E-4-1		508A-4-7
	322F-15		530A-3-1		508B-5-7
	322G-15		530A-19-1		508C-4-7
37143-99E00	322H-16	37141-99E00	530B-3-1	37143-99E00	508D-5-7
	322J-18		530B-19-1		508E-4-7
			530C-3-1		530A-3-7
			530C-19-1		530A-19-7
			530B-3-4		530B-3-7
			530C-3-4		530B-19-7

PART NO.	FIG.NO.-REF.NO.	PART NO.	FIG.NO.-REF.NO.	PART NO.	FIG.NO.-REF.NO.
37141-99E40	530C-19-4	37141-99E70	530C-3-7	37141-99EA0	530B-19-10
	530D-3-4		530C-19-7		530C-3-10
	530D-19-4		530D-3-7		530C-19-10
	450A-4-5		530D-19-7		530D-3-10
37141-99E70	450B-5-5	37141-99EA0	450A-4-8	37141-99EA0	530D-19-10
	450C-4-5		450B-5-8		450A-4-11
	450D-5-5		450C-4-8		450B-5-11
	508A-4-5		450D-5-8		450C-4-11
37141-99E80	508B-5-5	37141-99EB0	508A-4-8	37141-99EB0	450D-5-11
	508C-4-5		508B-5-8		508A-4-11
	508D-5-5		508C-4-8		508B-5-11
	508E-4-5		508D-5-8		508C-4-11
37141-99E80	530A-3-5	37141-99EB0	508E-4-8	37141-99EB0	508D-5-11
	530A-19-5		530A-3-8		508E-4-11
	530B-3-5		530A-19-8		530A-3-11
	530B-19-5		530B-3-8		530A-19-11
37141-99E50	530C-3-5	37141-99EB0	530B-19-8	37141-99EB0	530B-3-11
	530C-19-5		530C-3-8		530B-19-11
	530D-3-5		530C-19-8		530C-3-11
	530D-19-5		530D-3-8		530C-3-11
37141-99E60	450A-4-6	37141-99E80	530D-19-8	37141-99E80	530D-3-11
	450B-5-6		450A-4-9		530D-19-11
	450C-4-6		450B-5-9		450A-4-12
	450D-5-6		450C-4-9		450B-5-12
37141-99E90	508A-4-6	37141-99E90	450D-5-9	37141-99E90	450C-4-12
	508B-5-6		508A-4-9		450D-5-12
	508C-4-6		508B-5-9		508A-4-12
	508D-5-6		508C-4-9		508B-5-12
37141-99E60	508E-4-6	37141-99E90	508D-5-9	37141-99E90	508C-4-12
	530A-3-6		508E-4-9		508D-5-12
	530A-19-6		530A-3-9		508E-4-12
	530B-3-6		530A-19-9		530A-3-12
37141-99E60	530B-19-6	37141-99E90	530B-3-9	37141-99E90	530A-19-12
	530C-3-6		530B-19-9		530B-3-12
	530C-19-6		530C-3-9		530B-19-12
	530D-3-6		530C-19-9		530C-3-12
37141-99E60	530D-19-6	37141-99E90	530D-3-9	37141-99E90	530C-19-12
	450A-4-7		530D-19-9		530D-3-12
	450B-5-7		450A-4-10		530D-19-12
	450C-4-7		450B-5-10		450A-5
37141-99E90	450D-5-7	37141-99E90	450C-4-10	37141-99E90	450B-6
	508A-4-7		450D-5-10		450C-5
	508B-5-7		508A-4-10		450D-6
	508C-4-7		508B-5-10		508A-5
37141-99E90	508D-5-7	37141-99E90	508C-4-10	37141-99E90	508B-6
	508E-4-7		508D-5-10		508C-5
	530A-3-7		508E-4-10		508D-6
	530A-19-7		530A-3-10		508E-5
37141-99E90	530B-3-7	37141-99E90	530A-19-10	37141-99E90	530A-4
	530B-19-7		530B-3-10		530A-20

PART NO.	FIG.NO.-REF.NO.	PART NO.	FIG.NO.-REF.NO.	PART NO.	FIG.NO.-REF.NO.
	530B-4		530D-16		508C-7
	530B-20	37721-93J91	450B-8		508D-9
	530C-4		450D-8		508E-7
	530C-20		508B-8		530A-11
	530D-4		508D-8		530A-23
37149-93J00	530D-20	37721-94L00	334A-7		530B-11
	450A-6		334B-6		530B-23
	450B-7		334C-6		530C-11
	450C-6		334D-6		530C-23
	450D-7		334E-7		530D-11
	508A-6		334F-6		530D-23
	508B-7		334G-6	37823-92E01	450A-8
	508C-6		334H-6		450B-10
	508D-7		334J-7		450C-8
	508E-6	37721-95500	518A-12		450D-10
	530A-5		518B-12		508A-8
	530A-21		518C-12		508B-10
	530B-5		518D-12		508C-8
	530B-21		545A-11		508D-10
	530C-5		545B-11		508E-8
	530C-21		545C-11		530A-12
	530D-5		545D-11		530A-24
37161-89L02	530D-21	37724-99J00	206A-25		530B-12
	334A-5		206B-24		530B-24
	334D-5		206C-24		530C-12
	334E-5		206D-25		530C-24
	334H-5		206E-25		530D-12
	334J-5		206F-24		530D-24
	561A-20		206G-24	37823-97J00	444A-34
	561B-20		206H-25		444B-34
	561C-20		206J-25		444C-34
37163-89L00	334A-6	37803-93J04	530A-9		444D-34
	334B-5		530B-9		444E-34
	334C-5		530C-9	37825-99E00	530A-10
	334E-6		530D-9		530B-10
	334F-5	37820-80002	334A-2		530C-10
	334G-5		334B-2		530D-10
	334J-6		334C-2	37826-92J00	450A-9
	513A-15		334D-2		450B-11
	513B-15		334E-2		450C-9
	513C-15		334F-2		450D-11
	513D-15		334G-2		508A-9
	513E-15		334H-2		508B-11
37210-93J00	530A-15		334J-2		508C-9
	530B-15	37820-93J04	450A-7		508D-11
	530C-15		450B-9		508E-9
	530D-15		450C-7		530A-13
37212-93J00	530A-16		450D-9		530A-25
	530B-16		508A-7		530B-13
	530C-16		508B-9		530B-25

PART NO.	FIG.NO.-REF.NO.	PART NO.	FIG.NO.-REF.NO.	PART NO.	FIG.NO.-REF.NO.
	530C-13		513B-42		530C-27
	530C-25		513D-42		530D-7
	530D-13	37857-92J00	327A-5		530D-27
	530D-25		327C-5	39600-94L00	553A-4
	444A-35		513B-43		553B-4
37826-97J00	444B-35		513D-43		553C-4
	444C-35	37859-90J00	450A-10	39669-94L00	501A-21
	444D-35		450B-51		501B-21
	444E-35		450C-10		501C-21
	444A-33		450D-51		501D-21
37830-94J11	444B-33		508A-10	39950-88L02	600A-22
	444C-33		508B-51		600B-22
	444D-33		508C-10		600C-22
	444E-33		508D-51		600D-22
	444A-36	37835-95D00	508E-10		
	444B-36		450A-11		
	444C-36	37864-94J10	450C-11		
	444D-36		508A-11		
	444E-36		508C-11		
	450B-12		508E-11		
37850-90J06	450D-12	38100-94L01	338A-14	41111-94L00-YAY	335A-1
	508B-12		338B-14		335B-1
	508D-12		338C-14		335E-1
37850-92E27	517A-5		338D-14		335F-1
	517B-5		340A-1	41111-94LA0-YAY	335C-1
	517C-5		340B-1		335D-1
	517D-5		340C-1		335G-1
	327A-3		340D-1		335H-1
37850-92J00	327C-3	38410-93J20	327A-1		335J-1
	513B-41		327B-1	41121-94L00-YAY	335A-2
	513D-41		327C-1		335B-2
	544A-4		327D-1		335E-2
37850-93J10	544B-4	38415-94L00	327A-2		335F-2
	544C-4		327B-2	41121-94LA0-YAY	335C-2
	544D-4		327C-2		335D-2
	327B-3		327D-2		335G-2
37850-94L01	327D-3	38500-93J00	450A-12		335H-2
	327B-8		450C-12		335J-2
37851-89L00	327B-8		508A-12	41130-91L01	335A-7
	327D-8		508C-12		335B-7
	327B-4		508E-12		335E-7
37852-94JA0	327D-4		450B-13		335F-7
	410A-32	38500-93J90	450D-13	41130-94LA0	335C-7
	410B-34		508B-13		335D-7
	410D-32		508D-13		335G-7
	410E-32		530A-7		335H-7
	410F-34		530A-27		335J-7
	410H-32		530B-7	41135-93J11	335A-13
	410J-32		530B-27		335B-13
37856-92J00	327A-4		530C-7		335C-9
	327C-4				

PART NO.	FIG.NO.-REF.NO.	PART NO.	FIG.NO.-REF.NO.	PART NO.	FIG.NO.-REF.NO.
	335D-9		336H-23		336J-10
	335E-13		336J-23	43415-94L00	336A-28
	335F-13	41230-94LA0	336C-17		336D-11
	335G-9		336D-24		336E-28
	335H-9		336G-17		336H-11
41161-94400	335J-9		336H-24		336J-11
	442A-1	41233-94LA0	336J-24	43420-89L00	336A-29
	442B-1		336C-18		336D-12
	442C-1		336D-25		336E-29
	442D-1		336G-18		336H-12
	575A-1		336H-25		336J-12
	575B-1		336J-25	43425-89L00	336A-30
	575C-1	41280-94LA0	336C-19		336D-13
	575D-1		336D-26		336E-30
	575E-1		336G-19		336H-13
41211-94L00	335A-3		336H-26		336J-13
	335B-3		336J-26	43512-89L00	336A-31
	335E-3	43111-94L00-YAY	336A-3-1		336D-14
	335F-3		336B-3-1		336E-31
41211-94LA0	335C-3		336E-3-1		336H-14
	335D-3		336F-3-1		336J-14
	335G-3	43111-94L10-YAY	336A-3-2	43515-88L00	336A-32
	335H-3		336B-3-2		336D-15
	335J-3		336E-3-2		336E-32
41212-91J00	335A-4		336F-3-2		336H-15
	335B-4	43111-94LA0-YAY	336C-2-1		336J-15
	335C-4		336D-2-1	43516-89J00	336A-33
	335D-4		336G-2-1		336D-16
	335E-4		336H-2-1		336E-33
	335F-4		336J-2-1		336H-16
	335G-4	43111-94LB0-YAY	336C-2-2		336J-16
	335H-4		336D-2-2	43517-89L00	336A-34
	335J-4		336G-2-2		336D-17
41213-94J01	335A-5		336H-2-2		336E-34
	335B-5		336J-2-2		336H-17
	335C-5	43112-94L01	405A-2		336J-17
	335D-5	43211-87JL0	336A-4	43711-94L00	336A-5
	335E-5		336B-4		336B-5
	335F-5		336C-3		336C-4
	335G-5		336D-3		336D-4
	335H-5		336E-4		336E-5
	335J-5		336F-4		336F-5
41221-94LA0	336C-15		336G-3		336G-4
	336D-22		336H-3		336H-4
	336G-15		336J-3		336J-4
	336H-22	43241-87J00	335J-12	43750-94L00-YAY	336A-6-1
	336J-22	43411-89L00	336A-27		336B-6-1
41224-94LA0	336C-16		336E-27		336C-5-1
	336D-23	43411-89LA0	336D-10		336D-5-1
	336G-16		336H-10		336E-6-1

PART NO.	FIG.NO.-REF.NO.	PART NO.	FIG.NO.-REF.NO.	PART NO.	FIG.NO.-REF.NO.
	336F-6-1	45257-94L00	336A-19		338D-20
	336G-5-1		336B-23		339A-3
	336H-5-1		336E-19	47400-95J02	339A-4
	336J-5-1		336F-23	48000-94L01	338A-1
43750-94L10-YAY	336A-6-2	45260-94L00	336A-20		338B-1
	336B-6-2		336B-24		338C-1
	336C-5-2		336E-20		338D-1
	336D-5-2		336F-24	48121-94LA0	338A-21
	336E-6-2	45260-94LA0	339A-1		338B-21
	336F-6-2	45269-89L00	335A-19		338C-21
	336G-5-2		335B-19		338D-21
	336H-5-2		335E-19		339A-5
	336J-5-2		335F-19	48321-94L00	338A-22
43755-94L00	336B-7	45420-94L00	335A-16		338B-22
	336C-6		335B-16		338C-22
	336F-7		335E-16		338D-22
	336G-6		335F-16		339A-6
	513A-17	45421-94LA0	335C-17	48325-94L00	338A-23
	513B-17		335D-17		338B-23
	513C-17		335G-17		338C-23
	513D-17		335H-17		338D-23
	513E-17		335J-18		339A-7
45211-94L00	336A-12	45425-94J01	335A-17	48326-94L00	338A-26
	336B-16		335B-17		338B-26
	336E-12		335E-17		338C-26
	336F-16		335F-17		338D-26
45221-94L00	336A-13	45710-94L00	336A-38		339A-8
	336B-17		336B-31	48510-89J00	338A-11
	336E-13		336E-38		338B-11
	336F-17		336F-31		338C-11
45231-94L00	336A-14	45722-94L00	336A-39		338D-11
	336B-18		336B-32	48518-87D00	338A-15
	336E-14		336E-39		338B-15
	336F-18		336F-32		338C-15
45241-94L00	336A-15	45741-94L00	336A-40		338D-15
	336B-19		336B-33	48551-89J00	338A-16
	336E-15		336E-40		338B-16
	336F-19		336F-33		338C-16
45252-94L00	336A-16	45751-94L00	336A-41		338D-16
	336B-20		336B-34	48553-97E00	338A-17
	336E-16		336E-41		338B-17
	336F-20		336F-34		338C-17
45253-94L00	336A-17	45761-94L00	336A-42		338D-17
	336B-21		336B-35	48571-89J01	338A-2
	336E-17		336E-42		338B-2
	336F-21		336F-35		338C-2
45255-94L00	336A-18	47225-94L00	339A-2		338D-2
	336B-22	47226-94L00	338A-20	48572-89J01	338A-3
	336E-18		338B-20		338B-3
	336F-22		338C-20		338C-3

PART NO.	FIG.NO.-REF.NO.	PART NO.	FIG.NO.-REF.NO.	PART NO.	FIG.NO.-REF.NO.	
48583-95E00	338D-3	54112-94L00	401A-6		336D-8-2	
	338A-4	54125-94L00	401A-7		336E-10-2	
	338B-4	54130-94L00	401A-8		336F-14-2	
	338C-4	54137-94L00	401A-9		336G-12-2	
48585-89J00	338D-4	54144-94L00	401A-13		336H-8-2	
	338A-18	54145-94L00	401A-14		336J-8-2	
	338B-18	54151-94L00	405A-11	55332-94L00	407A-9	
	338C-18	54167-94L00	405A-12	55333-94L00	407A-10	
48681-87J11	338D-18	54211-94L00-YAY	405A-13	56120-91L11-YAY	407A-15	
	338A-19	54213-93901	405A-14	56130-94L00	220A-21	
	338B-19	55100-94L00-YAY	407A-1	57110-94L01	220A-1-1	
	338C-19	55114-963L0	407A-2	57110-94L11	220A-1-2	
48818-97E00	338D-19	55125-96310	407A-7	57133-94L00	220A-2	
	338A-5	55321-87J01	139A-6	57311-91L00	220A-5	
	338B-5		335A-14-1	57510-94L00	220A-8	
	338C-5		335B-14-1	57521-94L00	220A-9	
48823-89J00	338D-5		335C-10-1	57610-96311	220A-14	
	338A-6		335D-10-1	57621-91L21	220A-15	
	338B-6		335E-14-1	57631-95JL0	220A-20	
	338C-6		335F-14-1	57632-91L00	407A-23	
48832-89J00	338D-6		335G-10-1	57633-96300	407A-24	
	338A-7		335H-10-1	58100-91L20-019	407A-21-3	
	338B-7		335J-10-1	58100-91L30-019	407A-21-4	
	338C-7		336A-10-1	58100-91L40-019	407A-21-1	
48834-89J00	338D-7		336B-14-1	58100-95D01-019	407A-21-5	
	338A-8		336C-12-1	58100-96372-019	407A-21-6	
	338B-8		336D-8-1	58100-96421-019	407A-21-2	
	338C-8		336E-10-1	58100-96462-019	407A-21-10	
48842-89J00	338D-8		336F-14-1	58100-96472-019	407A-21-7	
	338A-9		336G-12-1	58100-96482-019	407A-21-8	
	338B-9		336H-8-1	58100-96492-019	407A-21-9	
	338C-9		336J-8-1	58120-96401	407A-22	
48861-89J01	338D-9		338A-28	59178-97J00	407A-11	
	338A-10		338B-28	59211-94L00	336A-21	
	338B-10		338C-28		336B-25	
	338C-10		338D-28		336E-21	
50000	338D-10		339A-9		336F-25	
			407A-8	59262-94J00	175A-3	
			55321-87J11	335A-14-2	59412-91J00	146A-9
				335B-14-2		146B-9
				335C-10-2		146C-9
				335D-10-2		146D-9
				335E-14-2		146E-9
				335F-14-2		146F-9
				335G-10-2		146G-9
				335H-10-2		146H-9
				335J-10-2		146J-9
				336A-10-2	59442-94L00	335A-18
			336B-14-2		335B-18	
			336C-12-2		335E-18	
51110-94L00	401A-1				146H-9	
51211-94L00	401A-2				146J-9	
52110-94L00-YAY	405A-1-1				335A-18	
52110-94L10-YAY	405A-1-2				335B-18	
52113-94L00	405A-4				335E-18	

PART NO.	FIG.NO.-REF.NO.	PART NO.	FIG.NO.-REF.NO.	PART NO.	FIG.NO.-REF.NO.
59800-94L00	335F-18	61151-91J11	410A-14	61435-94L30	420E-5
	420A-12		410B-14		420F-5
	420B-12		410C-14		420G-5
	420C-12		410D-14		420H-5
	420D-12		410E-14		420J-5
	420E-12		410F-14	61443-94L10	420A-6
	420F-12		410G-14		420B-6
	420G-12		410H-14		420C-6
	420H-12		410J-14		420D-6
	420J-12	61151-94L00	410A-33		420E-6
60000			410B-38		420F-6
			410C-37		420G-6
			410D-33		420H-6
			410E-33		420J-6
			410F-38	61446-89L10	420A-7
	61112-94L10	410A-4	410G-37		420B-7
		410B-4	410H-33		420C-7
		410C-4	410J-33		420D-7
		410D-4	405A-3		420E-7
		410E-4	61155-94L00	420A-1	420F-7
	410F-4	61400-94L00-YAY	420A-1	420G-7	
61124-94L00	410G-4		420B-1		420H-7
	410H-4		420C-1		420J-7
	410J-4		420D-1		420A-8
	410A-13-1		420E-1	61453-94L10	420A-8
	410E-13-1		420F-1		420B-8
	410J-13-1		420G-1		420C-8
	410B-13		420H-1		420D-8
	410C-13		420J-1		420E-8
	410F-13	61412-89L00	410A-9		420F-8
	410G-13		410B-9		420G-8
61124-94L20	410H-13		410C-9		420H-8
	410J-13-2		410D-9		420J-8
	410A-5		410E-9	61458-89L30	420A-9
	410B-5		410F-9		420B-9
	410C-5		410G-9		420C-9
	410D-5		410H-9		420D-9
	410E-5		410J-9		420E-9
	410F-5	61433-94L00	420A-2		420F-9
	410G-5		420B-2		420G-9
	410H-5		420C-2		420H-9
61134-94L00	410J-5		420D-2		420J-9
			420E-2	61471-89L00	420A-10
			420F-2		420B-10
			420G-2		420C-10
			420H-2		420D-10
			420J-2		420E-10
		61435-94L20	420A-5		420F-10
			420B-5		420G-10
			420C-5		420H-10
			420D-5		420J-10

PART NO.	FIG.NO.-REF.NO.	PART NO.	FIG.NO.-REF.NO.	PART NO.	FIG.NO.-REF.NO.
61472-97J00	167A-16		410D-1		410J-21
61494-94L01	167A-17		410E-1	63111-89L01-YAY	444A-1
61610-90L00	410A-10		410F-1		444B-6
	410B-10		410G-1		444C-6
	410C-10		410H-1		444D-6
	410D-10		410J-1		444E-1
	410E-10	61820-94L00-YAY	410A-2	63114-99J01	444A-22
	410F-10		410B-2		444B-22
	410G-10		410E-2		444C-22
	410H-10		410F-2		444D-22
	410J-10		410J-2		444E-22
61616-93EL0	410A-11	61820-94L20-YAY	410C-2	63115-99J00	444A-3
	410B-11		410D-2		444B-3
	410C-11		410G-2		444C-3
	410D-11		410H-2		444D-3
	410E-11	61827-94L00	410A-15		444E-3
	410F-11		410B-15	63115-99J10	444A-2
	410G-11		410C-15		444B-2
	410H-11		410D-15		444C-2
	410J-11		410E-15		444D-2
61620-94L00	410A-27		410F-15		444E-2
	410B-27		410G-15	63116-99J00	444A-4
	410C-27		410H-15		444B-4
	410D-27		410J-15		444C-4
	410E-27	61829-94L00	410A-16		444D-4
	410F-27		410B-16		444E-4
	410G-27		410C-16	63121-99J00-YAY	444A-5
	410H-27		410D-16		444B-5
	410J-27		410E-16		444C-5
61622-90L00	420A-3		410F-16		444D-5
	420B-3		410G-16		444E-5
	420C-3		410H-16	63122-99J00	444A-23
	420D-3		410J-16		444B-23
	420E-3	61830-94L00-YAY	410A-6		444C-23
	420F-3		410B-6		444D-23
	420G-3		410C-6		444E-23
	420H-3		410D-6	63131-94L00-YAY	444A-24
	420J-3		410E-6		444B-24
61642-90L00	410A-28		410F-6		444C-24
	410B-28		410G-6		444D-24
	410C-28		410H-6		444E-24
	410D-28		410J-6	63133-89L00	444A-25
	410E-28	61841-94L00	410A-21		444B-25
	410F-28		410B-21		444C-25
	410G-28		410C-21		444D-25
	410H-28		410D-21		444E-25
	410J-28		410E-21	63134-94L00	444A-26
61810-94L00-YAY	410A-1		410F-21		444B-26
	410B-1		410G-21		444C-26
	410C-1		410H-21		444D-26

PART NO.	FIG.NO.-REF.NO.	PART NO.	FIG.NO.-REF.NO.	PART NO.	FIG.NO.-REF.NO.
					444E-26
63210-94L01					444A-6
					444B-6
					444C-6
					444D-6
					444E-6
63215-93110					444A-32
					444B-32
					444C-32
					444D-32
					444E-32
63220-94L00					444A-7
					444B-7
					444C-7
					444D-7
					444E-7
63225-93200					444A-9
					444B-9
					444C-9
					444D-9
					444E-9
63225-98601					444A-8
					444B-8
					444C-8
					444D-8
					444E-8
63240-94J10					444A-10
					444B-10
					444C-10
					444D-10
					444E-10
63241-986B0					444A-11
					444B-11
					444C-11
					444D-11
					444E-11
63244-94J00					444A-12
					444B-12
					444C-12
					444D-12
					444E-12
63610-94L00					444A-14
					444B-14
					444C-14
					444D-14
					444E-14
63650-94L00					444A-15
					444B-15
					444C-15
					444D-15
					444E-15
					444F-15
					444G-15
					444H-15
					444I-15
					444J-15
					444K-15
					444L-15
					444M-15
					444N-15
					444O-15
					444P-15
					444Q-15
					444R-15
					444S-15
					444T-15
					444U-15
					444V-15
					444W-15
					444X-15
					444Y-15
					444Z-15
					444AA-15
					444AB-15
					444AC-15
					444AD-15
					444AE-15
					444AF-15
					444AG-15
					444AH-15
					444AI-15
					444AJ-15
					444AK-15
					444AL-15
					444AM-15
					444AN-15
					444AO-15
					444AP-15
					444AQ-15
					444AR-15
					444AS-15
					444AT-15
					444AU-15
					444AV-15
					444AW-15
					444AX-15
					444AY-15
					444AZ-15
					444BA-15
					444BB-15
					444BC-15
					444BD-15
					444BE-15
					444BF-15
					444BG-15
					444BH-15
					444BI-15
					444BJ-15
					444BK-15
					444BL-15
					444BM-15
					444BN-15
					444BO-15
					444BP-15
					444BQ-15
					444BR-15
					444BS-15
					444BT-15
					444BU-15
					444BV-15
					444BW-15
					444BX-15
					444BY-15
					444BZ-15
					444CA-15
					444CB-15
					444CC-15
					444CD-15
					444CE-15
					444CF-15
					444CG-15
					444CH-15
					444CI-15
					444CJ-15
					444CK-15
					444CL-15
					444CM-15
					444CN-15
					444CO-15
					444CP-15
					444CQ-15
					444CR-15
					444CS-15
					444CT-15
					444CU-15
					444CV-15
					444CW-15
					444CX-15
					444CY-15
					444CZ-15
					444DA-15
					444DB-15
					444DC-15
					444DD-15
					444DE-15
					444DF-15
					444DG-15
					444DH-15
					444DI-15
					444DJ-15
					444DK-15
					444DL-15
					444DM-15
					444DN-15
					444DO-15
					444DP-15
					444DQ-15
					444DR-15
					444DS-15
					444DT-15
					444DU-15
					444DV-15
					444DW-15
					444DX-15
					444DY-15
					444DZ-15
					444EA-15
					444EB-15
					444EC-15
					444ED-15
					444EE-15
					444EF-15
					444EG-15
					444EH-15
					444EI-15
					444EJ-15
					444EK-15
					444EL-15
					444EM-15
					444EN-15
					444EO-15
					444EP-15
					444EQ-15
					444ER-15

PART NO.	FIG.NO.-REF.NO.	PART NO.	FIG.NO.-REF.NO.	PART NO.	FIG.NO.-REF.NO.
67223-99E10	450A-16	67229-95600	545B-18	67233-92E00	545B-28
	450B-17		545C-18		545C-28
	450C-16		545D-18		545D-28
	450D-17		450A-17		518A-27
	508A-16		450B-18		518B-27
67224-92E00	508B-17	67230-92E00	450C-17	67234-92E00	518C-27
	508C-16		450D-18		518D-27
	508D-17		508A-17		545A-26
	508E-16		508B-18		545B-26
	545A-9		508C-17		545C-26
67224-92E50	545B-9	67230-92E00	508D-18	67234-92E00	545D-26
	545C-9		508E-17		518A-21
	545D-9		518A-19		518B-21
	518A-8		518B-19		518C-21
	518B-8		518C-19		518D-21
67225-92E00	518C-8	67231-92E00	518D-19	67235-92E00	545A-22
	518D-8		545A-20		545B-22
	518A-25		545B-20		545C-22
	518B-25		545C-20		545D-22
	518C-25		545D-20		518A-28
67225-92E50	518D-25	67231-92E00	518A-40	67236-92E00	518B-28
	518A-9		518B-40		518C-28
	518B-9		518C-40		518D-28
	518C-9		518D-40		545A-27
	518D-9		545A-41		545B-27
67226-92E00	545A-15	67232-92E50	545B-41	67236-92E00	545C-27
	545B-15		545C-41		545D-27
	545C-15		545D-41		518A-30
	545D-15		518A-43		518B-30
	518A-14		518B-43		518C-30
67226-92E10	518B-14	67232-95600	518C-43	67237-92E01	518D-30
	518C-14		518D-43		545A-32
	518D-14		450A-18		545B-32
	545A-16		450B-19		545C-32
	545B-16		450C-18		545D-32
67227-92E00	545C-16	67232-95620	450D-19	67238-87D00	518A-31
	545D-16		508A-18		518B-31
	518A-23		508B-19		518C-31
	518B-23		508C-18		518D-31
	518C-23		508D-19		545A-33
67228-92E00	518D-23	67232-95620	508E-18	67238-87D00	545B-33
	545A-24		518A-41		545C-33
	545B-24		518B-41		545D-33
	545C-24		518C-41		450A-19
	545D-24		518D-41		450B-20
67228-92E00	518A-17	67232-95620	545A-42	67238-87D00	450C-19
	518B-17		545B-42		450D-20
	518C-17		545C-42		508A-19
	518D-17		545D-42		508B-20
	545A-18		545A-28		508C-19

PART NO.	FIG.NO.-REF.NO.	PART NO.	FIG.NO.-REF.NO.	PART NO.	FIG.NO.-REF.NO.
67238-92E00	508D-20	67242-92E50	508E-20	67251-92E50	518C-34
	508E-19		517A-13		518D-34
	545A-34		517B-13		517A-9
	545B-34		517C-13		517B-9
	545C-34		517D-13		517C-9
67238-92E50	545D-34	67243-92E00	545A-44	67251-93J00	517D-9
	518A-32		545B-44		544A-12
	518B-32		545C-44		544B-12
	518C-32		545D-44		544C-12
	518D-32		450A-21		544D-12
67239-92E00	518A-33	67243-95600	450B-22	67251-99E20	450A-24
	518B-33		450C-21		450B-25
	518C-33		450D-22		450C-24
	518D-33		508A-21		450D-25
	545A-35		508B-22		508A-24
67239-92E10	545B-35	67244-95600	508C-21	67252-92E00	508B-25
	545C-35		508D-22		508C-24
	545D-35		508E-21		508D-25
	518A-29		450A-22		508E-24
	518B-29		450B-23		518A-35
67240-92E00	518C-29	67245-92E00	450C-22	67252-92E10	518B-35
	518D-29		450D-23		518C-35
	545A-45		508A-22		518D-35
	545B-45		508B-23		518A-38
	545C-45		508C-22		518B-38
67240-92E50	545D-45	67245-92E00	508D-23	67252-95600	518C-38
	545A-17		508E-22		518D-38
	545B-17		518A-22		545A-39
	545C-17		518B-22		545B-39
	545D-17		518C-22		545C-39
67241-92E10	518A-16	67245-95600	518D-22	67252-95600	545D-39
	518B-16		518D-22		545D-39
	518C-16		518D-22		545D-39
	518D-16		518D-22		545D-39
	545A-43		545A-23		450A-25
67241-92E50	545B-43	67245-95600	545A-23	67252-95600	450B-26
	545C-43		545B-23		450C-25
	545D-43		545C-23		450D-26
	518A-42		545D-23		508A-25
	518B-42		508A-23		508B-26
67241-99E10	518C-42	67246-92E00	508B-24	67253-92E00	508C-25
	518D-42		508C-23		508D-26
	450A-20		508D-24		508E-25
	450B-21		508E-23		544A-15
	450C-20		545A-36		544A-15
67246-92E50	450D-21	67246-92E50	545B-36	67253-92E10	544B-15
	508A-20		545C-36		544C-15
	508B-21		545D-36		544D-15
	508C-20		518A-34		518A-37
	508D-21		518B-34		518B-37
					518C-37
					518D-37
					545A-38
					545B-38

PART NO.	FIG.NO.-REF.NO.	PART NO.	FIG.NO.-REF.NO.	PART NO.	FIG.NO.-REF.NO.
67253-95600	545C-38	67257-99E10	517B-12	67263-93J00	508E-32
	545D-38		517C-12		544A-3
	450A-26		517D-12		544B-3
	450B-27		544A-11		544C-3
	450C-26		544B-11		544D-3
67254-92E50	450D-27	67258-99E00	544C-11	67264-95600	450A-34
	508A-26		544D-11		450B-35
	508B-27		450A-29		450C-34
	508C-26		450B-30		450D-35
	508D-27		450C-29		508A-34
	508E-26		450D-30		508B-35
	518A-39		508A-29		508C-34
	518B-39		508B-30		508D-35
	518C-39		508C-29		508E-34
	518D-39		508D-30		450A-35
67255-92E50	545A-40	67259-87D00	508E-29	67267-93J00	450B-36
	545B-40		450A-30		450C-35
	545C-40		450B-31		450D-36
	545D-40		450C-30		508A-35
	517A-22		450D-31		508B-36
67255-99E10	517B-22	67271-92E00	508A-30	67269-92E00	508C-35
	517C-22		508B-31		508D-36
	517D-22		508C-30		508E-35
	517A-8		508D-31		545A-29
	517B-8		508E-30		545B-29
67255-92E50	517C-8	67271-92E00	450A-31	67271-92E00	545C-29
	517D-8		450B-32		545D-29
	450A-27		450C-31		544A-26
	450B-28		450D-32		544B-26
	450C-27		508A-31		544C-26
67256-92E50	450D-28	67261-93J00	508B-32	67273-92E00	544D-26
	508A-27		508C-31		544A-23
	508B-28		508D-32		544B-23
	508C-27		508E-31		544C-23
	508D-28		517A-10		544D-23
	508E-27		517B-10		450A-36
	517A-11		517C-10		450B-37
	517B-11		517D-10		450C-36
	517C-11		544A-2		450D-37
	517D-11		544B-2		508A-36
67256-95600	450A-28	67261-99E10	544C-2	67273-95600	508B-37
	450B-29		544D-2		508C-36
	450C-28		450A-32		508D-37
	450D-29		450B-33		508E-36
	508A-28		450C-32		517A-25
67257-92E00	508B-29	67261-99E10	450D-33	67273-95600	517B-25
	508C-28		508A-32		517C-25
	508D-29		508B-33		517D-25
	508E-28		508C-32		544A-22
	517A-12		508D-33		544B-22

PART NO.	FIG.NO.-REF.NO.	PART NO.	FIG.NO.-REF.NO.	PART NO.	FIG.NO.-REF.NO.
67274-92E00	544C-22	67286-92E00	450C-39	67288-92E60	544D-10
	544D-22		450D-53		517A-6
	544A-24		508A-39		517B-6
	544B-24		508B-53		517C-6
	544C-24		508C-39		517D-6
67274-92E50	544D-24	67286-92E00	508D-53	67288-92E70	517A-16
	517A-28		508E-39		517B-16
	517B-28		518A-18		517C-16
	517C-28		518B-18		517D-16
	517D-28		518C-18		518A-5
67275-95600	450A-37	67287-92E00	518D-18	67291-92E10	518B-5
	450B-38		545A-19		518C-5
	450C-37		545B-19		518D-5
	450D-38		545C-19		545A-7
	508A-37		545D-19		545B-7
67281-93J00	508B-38	67288-92E10	544A-20	67292-94300	545C-7
	508C-37		544B-20		545D-7
	508D-38		544C-20		518A-36
	508E-37		544D-20		518B-36
	517A-24		517A-19		518C-36
67281-93J00	517B-24	67288-92E00	517B-19	67292-94300	518D-36
	517C-24		517C-19		545A-37
	517D-24		517D-19		545B-37
	544A-21		545A-4		545C-37
	544B-21		545B-4		545D-37
67281-93J00	544C-21	67288-92E10	545C-4	67292-94300	450A-40
	544D-21		545D-4		450B-39
	544A-17		518A-4		450C-40
	544B-17		518B-4		450D-39
	544C-17		518C-4		508A-40
67282-94L00	544D-17	67288-92E20	518D-4	67294-92E00	508B-39
	450A-38		545A-6		508C-40
	450B-52		545B-6		508D-39
	450C-38		545C-6		508E-40
	450D-52		545D-6		518A-3
67283-92E50	508A-38	67288-92E30	517A-14	67294-92E00	518B-3
	508B-52		517B-14		518C-3
	508C-38		517C-14		518D-3
	508D-52		517D-14		545A-5
	508E-38		544A-7		545B-5
67284-92E50	517A-26	67288-92E40	544B-7	67294-92E00	545C-5
	517B-26		544C-7		545D-5
	517C-26		544D-7		518A-11
	517D-26		544A-14		518B-11
	517A-27		544B-14		518C-11
67284-94L00	517B-27	67288-92E40	544C-14	67294-92E00	518D-11
	517C-27		544D-14		545A-10
	517D-27		544A-10		545B-10
	450A-39		544B-10		545C-10
	450B-53		544C-10		545D-10

PART NO.	FIG.NO.-REF.NO.	PART NO.	FIG.NO.-REF.NO.	PART NO.	FIG.NO.-REF.NO.
67294-95600	450A-41	67296-88D30	517A-21	67296-94310	450B-42
	450B-40		517B-21		450C-43
	450C-41		517C-21		450D-42
	450D-40		517D-21		508A-43
	508A-41		450A-42		508B-42
67295-92E00	508B-40	67296-90J10	450B-41	67296-92E11	508C-43
	508C-41		450C-42		508D-42
	508D-40		450D-41		508E-43
	508E-41		508A-42		450A-33
	515A-2		508B-41		450B-34
67295-92E10	544A-8	67296-92E11	508C-42	67296-95600	450C-33
	544B-8		508D-41		450D-34
	544C-8		508E-42		508A-33
	544D-8		450B-15		508B-34
	517A-4		450D-15		508C-33
67295-92E50	517B-4	67296-92E20	508B-15	67296-95610	508D-34
	517C-4		508D-15		508E-33
	517D-4		518A-13		517A-3
	544A-5		518B-13		517B-3
	544B-5		518C-13		517C-3
67296-88D10	544C-5	67296-92E30	518D-13	67296-92E70	517D-3
	544D-5		545A-12		518A-15
	517A-18		545B-12		518B-15
	517B-18		545C-12		518C-15
	517C-18		545D-12		518D-15
67296-88D20	517D-18	67296-92E60	518A-15	67296-92E70	545A-14
	517A-15		518B-15		508A-44
	517B-15		518C-15		508B-43
	517C-15		518D-15		508C-44
	517D-15		545A-14		508D-43
67296-88D20	518A-24	67296-92E30	545B-14	67296-95621	508E-44
	518B-24		545C-14		450A-45
	518C-24		545D-14		450B-44
	518D-24		544A-18		450C-45
	544A-6		544B-18		450D-44
67296-88D20	544B-6	67296-92E60	544C-18	67296-95621	508A-45
	544C-6		544D-18		508B-44
	544D-6		544A-13		508C-45
	545A-13		544B-13		508D-44
	545A-30		544C-13		508E-45
67296-88D20	545B-13	67296-92E70	544D-13	67297-95600	544A-25
	545B-30		544A-9		544B-25
	545C-13		544A-28		544C-25
	545C-30		544B-9		544D-25
	545D-13		544B-28		515A-3
67296-88D20	545D-30	67296-94300	544C-9	67296-94300	450A-46
	517A-17		544C-28		450B-45
	517B-17		544D-9		450C-46
	517C-17		544D-28		450D-45
	517D-17		450A-43		508A-46
					508B-45

PART NO.	FIG.NO.-REF.NO.	PART NO.	FIG.NO.-REF.NO.	PART NO.	FIG.NO.-REF.NO.
67298-92E50	508C-46	67298-92E50	442C-2	67721-94L00	420H-14
	508D-45		442D-2		420J-14
	508E-46		575A-2		167A-15
	517A-2		575B-2		335A-20
	517B-2		575C-2		335B-20
67320-93J00	517C-2	67320-93J00	575D-2	67725-96J00	335C-12
	517D-2		575E-2		335D-12
	515A-4-1		442A-3		335E-20
	515A-4-2		442B-3		335F-20
	515A-4-3		442C-3		335G-12
67320-93J30	515A-4-4	67320-93J30	442D-3	67725-96J00	335H-12
	515A-4-5		575A-3		335J-13
	515A-4-6		575B-3		
	515A-4-7		575C-3		
	515A-4-8		575D-3		
67320-93J60	515A-4-9	67320-93J60	575E-3	67725-96J00	
	410B-31		442A-4		
	410C-31		442B-4		
	410F-31		442C-4		
	410G-31		442D-4		
67343-94L00	513A-21	67343-94L00	575A-4	67726-99E00	77811-54GB0-0PG
	513B-21		575B-4		450A-47
	513C-21		575C-4		450B-46
	513D-21		575D-4		450C-47
	513E-21		575E-4		450D-46
67467-89J01	410B-35	67467-89J01	442A-5	67728-99E00	508A-47
	410C-34		442B-5		508B-46
	410F-35		442C-5		508C-47
	410G-34		442D-5		508D-46
	513A-35		575A-5		508E-47
67467-89J01	513B-35	67467-89J01	575B-5	67728-99E00	77811-58J10-0PG
	513C-35		575C-5		420A-11
	513D-35		575D-5		420B-11
	513E-35		575E-5		420C-11
	166B-15		442A-6		420D-11
67728-99E00	166C-15	67728-99E00	442B-6	68110-88L00	420E-11
	166F-15		442C-6		420F-11
	166G-15		442D-6		420G-11
	206B-21		575A-6		420H-11
	206C-21		575B-6		420J-11
68110-88L00	206F-21	68110-88L00	575C-6	68110-88L00	
	206G-21		575D-6		
	513A-22		575E-6		
	513B-22		420A-14		
	513C-22		420B-14		
67500-93J00	513D-22	67500-93J00	420C-14	67701-94L00	99000-81158-50M
	513E-22		420D-14		167A-8
	519A-1		420E-14		420A-13
	442A-2		420F-14		420B-13
	442B-2		420G-14		420C-13
					420D-13

PART NO.	FIG.NO.-REF.NO.	PART NO.	FIG.NO.-REF.NO.	PART NO.	FIG.NO.-REF.NO.
	160C-12		122H-13		450B-47
	160D-12		122J-13		450C-48
	160E-12	08316-10087	122A-6		450D-47
	160F-12		122B-6		508A-48
	160G-12		122C-6		508B-47
03542-05169	160H-12		122D-6	09100-10309	508C-48
	160J-12		122E-6		508D-47
	322A-16		122F-6		508E-48
	322B-13		122G-6		335A-21
	322C-13		122H-6		335B-21
	322D-14		122J-6		335E-21
	322E-16	08321-01067	301A-17		335F-21
	322F-13		301B-17	09100-10323	338A-24
	322G-13		301C-17		338B-24
	322H-14		301D-17		338C-24
	322J-16		301E-17		338D-24
	420A-4		301F-17	09100-12093	339A-11
	420B-4		301G-17		335C-13
	420C-4		301H-17		335D-13
	420D-4		301J-17		335G-13
	420E-4		561A-12		335H-13
	420F-4		561B-12		335J-14
	420G-4		561C-12	09103-06237	432A-14
	420H-4	08322-01067	310A-21	09103-06281	139A-8
	420J-4		310B-21		335A-15
04211-11129	111A-4		310C-21		335B-15
	113A-5		310D-21		335C-11
08113-60060	407A-18		310E-21		335D-11
08211-15203	220A-7-4		310F-21		335E-15
08211-15204	220A-7-6		310G-21		335F-15
08221-30404	220A-12-1		310H-21		335G-11
08310-00067	301A-16		310J-21		335H-11
	301B-16	08341-31039	120A-10		335J-11
	301C-16		120A-11		336A-11
	301D-16		303A-13		336B-15
	301E-16		303B-13		336C-13
	301F-16		303C-13		336D-9
	301G-16		303D-11		336E-11
	301H-16	09100-06113	336A-22		336F-15
	301J-16		336B-26		336G-13
	561A-11		336E-22		336H-9
	561B-11		336F-26		336J-9
	561C-11		339A-10		338A-29
08316-10067	122A-13		501B-26		338B-29
	122B-13		501D-26		338C-29
	122C-13	09100-06165	335A-9		338D-29
	122D-13		335B-9		339A-12
	122E-13		335E-9		407A-12
	122F-13		335F-9	09103-08458	120A-7
	122G-13	09100-08232	450A-48	09106-10065	335C-18

PART NO.	FIG.NO.-REF.NO.	PART NO.	FIG.NO.-REF.NO.	PART NO.	FIG.NO.-REF.NO.
	335D-18		513B-36		444E-28
	335G-18		513C-36		518A-20
	335H-18		513D-36		518B-20
	335J-19		513E-36		518C-20
09108-06149	160A-14	09116-06229	407A-19		518D-20
	160B-14	09116-06234	206A-9		545A-21
	160C-14		206D-9		545B-21
	160D-14		206E-9		545C-21
	160E-14		206H-9		545D-21
	160F-14		206J-9	09125-05046	327B-5
	160G-14	09116-06517	146A-10		327D-5
	160H-14		146B-10	09125-05135	519A-2
	160J-14		146C-10	09125-06063	336A-7
09108-08286	336B-9		146D-10		336B-10
	336C-8		146E-10		336C-20
	336F-9		146F-10		336D-27
	336G-8		146G-10		336E-7
	513A-23		146H-10		336F-10
	513B-23		146J-10		336G-20
	513C-23	09116-08147	407A-13		336H-27
	513D-23	09116-08150	401A-3		336J-27
	513E-23	09116-08151	405A-7		338A-30
09116-06215	122A-25		444A-16		338B-30
	122B-25		444B-16		338C-30
	122C-25		444C-16		338D-30
	122D-25		444D-16	09126-05003	450A-49
	122E-25		444E-16		450B-48
	122F-25	09116-08152	139A-4		450C-49
	122G-25		401A-10		450D-48
	122H-25	09116-08154	405A-15		508A-49
	122J-25		407A-6		508B-48
09116-06223	410A-29	09116-08155	444A-29		508C-49
	410B-29		444B-29		508D-48
	410C-29		444C-29		508E-49
	410D-29		444D-29	09126-06006	545A-25
	410E-29		444E-29		545B-25
	410F-29	09116-08162	405A-16		545C-25
	410G-29	09119-08L01	113A-3		545D-25
	410H-29	09125-04004	518A-26	09126-06015	444A-17
	410J-29		518B-26		444B-17
09116-06225	336A-35		518C-26		444C-17
	336D-18		518D-26		444D-17
	336E-35	09125-04021	517A-7		444E-17
	336H-18		517B-7	09128-06013	310A-20
	336J-18		517C-7		310B-20
	410B-36		517D-7		310C-20
	410C-35	09125-05042	444A-28		310D-20
	410F-36		444B-28		310E-20
	410G-35		444C-28		310F-20
	513A-36		444D-28		310G-20

PART NO.	FIG.NO.-REF.NO.	PART NO.	FIG.NO.-REF.NO.	PART NO.	FIG.NO.-REF.NO.
	310H-20		334J-12		336G-9
	310J-20	09140-05005	166B-10		513A-25
	561A-8		166C-10		513B-25
	561B-8		166F-10		513C-25
	561C-8		166G-10		513D-25
09136-05041	444A-18		327B-7		513E-25
	444A-27		327D-7	09159-08L02	336A-36
	444B-18		513A-24		336D-19
	444B-27		513B-24		336E-36
	444C-18		513C-24		336H-19
	444C-27		513D-24		336J-19
	444D-18		513E-24	09159-10050	335A-22
	444D-27		519A-3		335B-22
	444E-18	09140-06020	336A-23		335C-19
	444E-27		336B-27		335D-19
09136-06168	410A-8		336E-23		335E-22
	410A-22		336F-27		335F-22
	410B-8		339A-13		335G-19
	410B-22		450A-50		335H-19
	410C-8		450B-49		335J-20
	410C-22		450C-50	09159-12014	335C-14
	410D-8		450D-49		335D-14
	410D-22		508A-50		335G-14
	410E-8		508B-49		335H-14
	410E-22		508C-50		335J-15
	410F-8		508D-49	09159-22006	335A-8
	410F-22		508E-50		335B-8
	410G-8		518A-10		335C-8
	410G-22		518B-10		335D-8
	410H-8		518C-10		335E-8
	410H-22		518D-10		335F-8
	410J-8		545A-31		335G-8
	410J-22		545B-31		335H-8
09136-06169	410A-3		545C-31		335J-8
	410B-3		545D-31	09160-05024	544A-19
	410C-3	09140-10031	401A-11		544B-19
	410D-3	09140-14008	303A-7		544C-19
	410E-3		303B-7		544D-19
	410F-3		303C-7	09160-05029	206B-9
	410G-3		303D-5		206C-9
	410H-3	09141-14008	407A-25		206F-9
	410J-3	09148-06008	444A-13		206G-9
	334A-12		444B-13		513A-26
	334B-11		444C-13		513B-26
	334C-11		444D-13		513C-26
	334D-11		444E-13		513D-26
	334E-12	09159-08046	220A-6		513E-26
	334F-11	09159-08059	336B-11		519A-4
	334G-11		336C-9	09160-06046	166A-4
	334H-11		336F-11		166B-11

PART NO.	FIG.NO.-REF.NO.	PART NO.	FIG.NO.-REF.NO.	PART NO.	FIG.NO.-REF.NO.
	166C-11		335B-10		335G-20
	166D-4		335E-10		335G-21
	166E-4		335F-10		335H-20
	166F-11		336A-24		335H-21
	166G-11		336B-28		335J-21
	166H-4		336C-21		335J-22
	166J-4		336D-28	09160-10139	335A-23
	206A-10		336E-24		335B-23
	206D-10		336F-28		335E-23
	206E-10		336G-21		335F-23
	206H-10		336H-28	09160-10140	335A-24
	206J-10		336J-28		335B-24
	513A-27	09160-06085	432A-15		335E-24
	513B-27	09160-06094	206A-12		335F-24
	513C-27		206D-12	09160-10156	401A-12
	513D-27		206E-12	09160-10158	338A-25
	513E-27		206H-12		338B-25
09160-06055	166B-16		206J-12		338C-25
	166C-16	09160-06104	450A-51		338D-25
	166F-16		450B-50		339A-14
	166G-16		450C-51	09160-12044	335C-15
	206B-22		450D-50		335D-15
	206C-22		508A-51		335G-15
	206F-22		508B-50		335H-15
	206G-22		508C-51		335J-16
	513A-28		508D-50	09160-12066	335C-22
	513B-28		508E-51		335D-22
	513C-28		517A-20		335G-22
	513D-28		517B-20		335H-22
	513E-28		517C-20		335J-23
09160-06082	160A-15		517D-20	09160-12110	335C-16
	160B-15	09160-06170	336C-22		335D-16
	160C-15		336D-29		335G-16
	160D-15		336G-22		335H-16
	160E-15		336H-29		335J-17
	160F-15		336J-29	09160-14028	407A-26
	160G-15	09160-08082	336B-8	09160-14071	206A-13
	160H-15		336C-7		206B-11
	160J-15		336F-8		206C-11
	206A-11		336G-7		206D-13
	206B-10		513A-19		206E-13
	206C-10		513B-19		206F-11
	206D-11		513C-19		206G-11
	206E-11		513D-19		206H-13
	206F-10		513E-19		206J-13
	206G-10	09160-09020	120A-8	09160-15030	220A-7-1
	206H-11	09160-10082	335C-20		220A-7-2
	206J-11		335C-21	09160-15032	220A-7-3
	210A-12		335D-20	09160-15033	220A-7-5
	335A-10		335D-21	09160-15053	220A-7-7

PART NO.	FIG.NO.-REF.NO.	PART NO.	FIG.NO.-REF.NO.	PART NO.	FIG.NO.-REF.NO.
09160-15054	220A-7-8	09168-12017	405A-9		146J-13
09160-15057	303A-8	09169-06062	146A-12		166A-5
	303B-8		146B-12		166B-12
	303C-8		146C-12		166C-12
	303D-6		146D-12		166D-5
09160-20068	220A-11-1		146E-12		166E-5
09160-20069	220A-11-2		146F-12		166F-12
09160-20070	220A-11-3		146G-12		166G-12
09160-20071	220A-11-4		146H-12		166H-5
09160-20072	220A-11-5		146J-12		166J-5
09160-20073	220A-11-6	09169-06063	310A-6		513A-29
09160-25032	220A-13-4		310B-6		513B-29
09160-25033	220A-13-5		310C-6		513C-29
09160-25034	220A-13-6		310D-6		513D-29
09160-25035	220A-13-7		310E-6		513E-29
09160-30057	336A-8		310F-6	09180-06342	335A-11
	336B-12		310G-6		335B-11
	336C-10		310H-6		335E-11
	336D-6		310J-6		335F-11
	336E-8	09169-06075	122A-26	09180-06362	206A-16
	336F-12		122B-26		206B-12
	336G-10		122C-26		206C-12
	336H-6		122D-26		206D-16
	336J-6		122E-26		206E-16
09161-04012	410A-12		122F-26		206F-12
	410B-12		122G-26		206G-12
	410C-12		122H-26		206H-16
	410D-12		122J-26		206J-16
	410E-12		146A-11	09181-16008	220A-10
	410F-12		146B-11	09181-25190	220A-13-1
	410G-12		146C-11	09181-25248	220A-13-2
	410H-12		146D-11	09181-25251	220A-13-3
	410J-12		146E-11	09181-25268	220A-13-8
09161-08019	336A-37		146F-11	09181-30158	220A-12-2
	336D-20		146G-11	09181-30162	220A-12-3
	336E-37		146H-11	09200-06072	336A-25
	336H-20		146J-11		336B-29
09163-06001	336J-20	09180-06186	206A-15		336E-25
	444A-19		206D-15		336F-29
	444B-19		206E-15	09202-05021	220A-16
	444C-19		206H-15	09202-06023	401A-4
	444D-19		206J-15		405A-8
	444E-19	09180-06230	146A-13		407A-5
09164-12021	121A-8		146B-13	09204-01002	206A-8
09164-14008	206A-14		146C-13		206B-8
	206D-14		146D-13		206C-8
	206E-14		146E-13		206D-8
	206H-14		146F-13		206E-8
	206J-14		146G-13		206F-8
09166-17005	220A-3		146H-13		206G-8

PART NO.	FIG.NO.-REF.NO.	PART NO.	FIG.NO.-REF.NO.	PART NO.	FIG.NO.-REF.NO.
	206H-8		444C-30	09280-75002	407A-20
	206J-8		444D-30	09282-15009	401A-5
	336A-26		444E-30	09282-17006	220A-22
	336B-30	09251-09007	410A-17	09282-30008	336A-9
	336E-26		410B-17		336B-13
	336F-30		410C-17		336C-11
	513A-18		410D-17		336D-7
	513B-18		410E-17		336E-9
	513C-18		410F-17		336F-13
	513D-18		410G-17		336G-11
	513E-18		410H-17		336H-7
09204-01006	336C-23		410J-17		336J-7
	336D-30	09260-10006	206A-18	09283-27022	121A-2
	336G-23		206B-14	09283-32039	116A-9
	336H-30		206C-14		121A-16
	336J-30		206D-18	09289-20L01	407A-17
09204-03003	407A-27		206E-18	09320-05019	120A-14
09205-02004	210A-4		206F-14	09320-08051	310A-7
09205-04002	206A-17		206G-14		310B-7
	206B-13		206H-18		310C-7
	206C-13		206I-18		310D-7
	206D-17	09263-20046	407A-3		310E-7
	206E-17	09263-20047	407A-16		310F-7
	206F-13	09265-17002	220A-4		310G-7
	206G-13	09265-25047	407A-4		310H-7
	206H-17	09280-06012	210A-13		310J-7
09205-06021	206J-17	09280-12012	175A-8	09320-09039	122A-27
	335A-6	09280-13005	210A-14		122B-27
	335B-6	09280-17003	111A-9		122C-27
	335C-6	09280-21008	175A-12		122D-27
	335D-6	09280-22019	139A-9		122E-27
	335E-6	09280-26005	146A-37		122F-27
	335F-6		146B-37		122G-27
	335G-6		146C-37		122H-27
	335H-6		146D-37		122J-27
	335J-6		146E-37	09320-09052	146A-14
09209-08016	220A-17		146F-37		146B-14
09229-04005	410A-18		146G-37		146C-14
	410B-18		146H-37		146D-14
	410C-18		146J-37		146E-14
	410D-18	09280-50009	220A-23		146F-14
	410E-18	09280-54004	160A-16		146G-14
	410F-18		160B-16		146H-14
	410G-18		160C-16		146J-14
	410H-18		160D-16	09320-11017	410A-7
	410J-18		160E-16		410A-23
09248-08001	407A-14		160F-16		410B-7
09248-12012	405A-10		160G-16		410B-23
09250-12006	444A-30		160H-16		410C-7
	444B-30		160J-16		410C-23

PART NO.	FIG.NO.-REF.NO.	PART NO.	FIG.NO.-REF.NO.	PART NO.	FIG.NO.-REF.NO.
	410D-7		336E-43		146C-18
	410D-23		336F-36		146D-18
	410E-7		338A-27		146E-18
	410E-23		338B-27		146F-18
	410F-7		338C-27		146G-18
	410F-23		338D-27		146H-18
	410G-7	09381-14004	339A-15	09401-08413	146J-18
	410G-23		206A-19	09401-11423	162A-6
	410H-7		206B-15		122A-11
	410H-23		206C-15		122B-11
	410J-7		206D-19		122C-11
	410J-23		206E-19		122D-11
09343-50L01-040	146A-15		206F-15		122E-11
	146B-15		206G-15		122F-11
	146C-15		206H-19		122G-11
	146D-15	09381-16001	206J-19		122H-11
	146E-15	09383-04002	116A-4		122J-11
	146F-15		206A-20		146A-34
	146G-15		206B-16		146A-38
	146H-15		206C-16		146B-34
	146J-15		206D-20		146B-38
09344-55001-070	146A-16		206E-20		146C-34
	146B-16		206F-16		146C-38
	146C-16		206G-16		146D-34
	146D-16		206H-20		146D-38
	146E-16	09385-04003	206J-20		146E-34
	146F-16		410A-19		146E-38
	146G-16		410B-19		146F-34
	146H-16		410C-19		146F-38
	146J-16		410D-19		146G-34
09352-70103-600	410B-37		410E-19		146G-38
	410C-36		410F-19		146H-34
	410F-37		410G-19		146H-38
	410G-36		410H-19		146J-34
	513A-37		410J-19		146J-38
	513B-37	09385-06012	166B-17	09401-11425	144A-5
	513C-37		166C-17	09401-13423	146A-39
	513D-37		166F-17		146B-39
	513E-37		166G-17		146C-39
09355-70125-600	122A-9		206B-23		146D-39
	122B-9		206C-23		146E-39
	122C-9		206F-23		146F-39
	122D-9		206G-23		146G-39
	122E-9		513A-30		146H-39
	122F-9		513B-30		146J-39
	122G-9		513C-30	09401-15414	111A-10
	122H-9		513D-30	09401-18414	146A-40
	122J-9		513E-30		146B-40
09380-12002	336A-43	09401-08412	146A-18		146C-40
	336B-36		146B-18		146D-40

PART NO.	FIG.NO.-REF.NO.	PART NO.	FIG.NO.-REF.NO.	PART NO.	FIG.NO.-REF.NO.
	146E-40		530A-28		322B-11
	146F-40		530B-8		322C-11
	146G-40		530B-28		322D-12
	146H-40		530C-8		322E-14
	146J-40		530C-28		322F-11
09401-20410	146A-41		530D-8		322G-11
	146B-41	09407-14403	530D-28		322H-12
	146C-41		553A-6	09408-00020	322J-14
	146D-41		553B-6		310A-13
	146E-41		553C-6		310B-13
	146F-41	09407-14407	303A-9		310C-13
	146G-41		303B-9		310D-13
	146H-41		303C-9		310E-13
	146J-41		303D-7		310F-13
09403-07340	327A-6		334A-13		310G-13
	327B-9		334B-12		310H-13
	327C-6		334C-12	09408-00043	310J-13
	327D-9		334D-12		146A-42
09403-08404	322A-12		334E-13		146B-42
	322B-9		334F-12		146C-42
	322C-9		334G-12		146D-42
	322D-10		334H-12		146E-42
	322E-12		334J-13		146F-42
	322F-9		501A-8		146G-42
	322G-9		501B-8		146H-42
	322H-10		501B-27		146J-42
09403-20308	322J-12		501C-8	09408-00054	322A-17
	322A-13		501D-8		322B-14
	322B-10		501D-27		322C-14
	322C-10		513A-31		322D-15
	322D-11		513B-31		322E-17
	322E-13		513C-31		322F-14
	322F-10		513D-31		322G-14
	322G-10		513E-31		322H-15
	322H-11		553A-7		322J-17
	322J-13		553B-7	09408-00233	146A-43
	513A-38		553C-7		146B-43
	513C-38		600A-28		146C-43
	513E-38		600B-28		146D-43
	553A-9		600C-28		146E-43
	553B-9		600D-28		146F-43
	553C-9	09407-18402	322A-2		146G-43
	561A-23		322D-2		146H-43
	561B-23		322E-2		146J-43
	561C-23		322H-2	09409-05302-5PK	410A-24
09404-06207	338A-31		322J-2		410B-24
	338B-31		561A-21		410C-24
	338C-31		561B-21		410D-24
	338D-31		561C-21		410E-24
09407-08401	530A-8	09408-00008	322A-14		410F-24

SUZUKI DF25A/30A PARTS CATALOGUE

SUZUKI MOTOR CORPORATION All rights reserved

No part of this document may be reproduced or transmitted in any form or by any means, electronic or mechanical, for any purpose, without the express written permission of Suzuki Motor Corporation.

SUZUKI MOTOR CORPORATION

Service Material & Training Group, Service Material In-house Production Project
300 Takatsuka, Minami, Hamamatsu, Japan

Copyright © SUZUKI MOTOR CORPORATION 2016 All Rights Reserved

SUZUKI MOTOR CORPORATION