

SUZUKI
PARTS CATALOGUE

DT40W

DT40W
DT40WR
DT40WK



OUTBOARD MOTOR

P40/P90

2015-9

1ST EDITION

PREFACE

When it becomes necessary to replace parts on SUZUKI OUTBOARD MOTORS, always use SUZUKI GENUINE PARTS which have passed a strict inspection which guarantees quality and performance.

This parts catalogue covers the list of all service parts for SUZUKI DT40W production start 2015.

INSTRUCTIONS FOR QUOTING THE CATALOGUE

1. DIMENSIONS

Dimensions of the parts in this catalogue are indicated in unit millimeters.

2. ABBREVIATIONS

Abbreviations used in this catalogue are as follows:

AR : As required	NT : Number of teeth
ASSY : Assembly	OPT : Optional
E.NO. : Engine number	OS : Over size
F.NO. : Frame number	STD : Standard
D : Diameter of material	T : Thickness
ID : Inside diameter	US : Under size
OD : Outside diameter	W : Width
L : Length	W/ : With
LH(PORT) : Left hand side	S,L,L2 : Transom type
RH(STBD) : Right hand side	SUS : Stainless steel
~123456 : Up to E.NO. 04005-123456	PTT : Power trim and tilt
123456~ : From E.NO. 04005-123456	

12 x 34 x 5.6..... Figures in the description column

| | | show the dimensions of parts.

ID OD T(or W,L)

→12345-56781 (Parts No.) : indicates that the parts number was changed to 12345-56781 and the new parts are interchangeable with the former ones but the former ones are not interchangeable with new ones.

←12345-56781 (Parts No.) : indicates that the former and new parts are interchangeable with each other and both are usable.

3. INNER PARTS OF ASSEMBLY

Part name with a dot (.) in front as shown in the description column indicates the component of the assembly also available individually.

4. MODIFICATION NOTICE

A parts bulletin will be sent to you on all occasions when changes in parts occur, including interchangeable modifications between new parts and old ones.

5. NOTE

5-1. There are some different parts from those of production models among spare parts for the administrative reasons and common use of them with other models.

5-2. In respect of rubber hoses and vinyl tubes, please be sure to use them by cutting off according to the length mentioned on parts catalogue or what is actually required on the vehicle.

5-3. Note that the drawings on the illustration page are for ready reference of spare parts number, not to be used as an assembly manual. When assembling, use "SUZUKI SERVICE MANUAL".

6. SPECIFICATION CODE

This catalogue contains the parts for the model designed for the following spec. :

spec. code : DT40W : P40, P90
DT40WR : P40, P90
DT40WK : P40

7. MODEL NAME AND ENGINE NUMBER

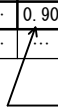
MODEL	DESTINATION	TYPE	TRANSOM	ENGINE No.
DT40W	P40	04005	S, L, L2	04005-610001~
DT40W	P90	04005	S	04005-610001~
DT40WR	P40	04005	L, L2	04005-610001~
DT40WR	P90	04005	S	04005-610001~
DT40WK	P40	04005K	S, L, L2	04005K-610001~

MILLIMETER → INCH CONVERSION CHART

	0	1	2	3	4	5	6	7	8	9
00	.000	.039	.079	.118	.157	.197	.236	.276	.315	.354
10	.394	.433	.472	.512	.551	.591	.630	.669	.709	.748
20	.787	.827	.866	.906	.945	.984	1.024	1.063	1.102	1.142
30	1.181	1.220	1.260	1.299	1.339	1.378	1.417	1.457	1.496	1.535
40	1.575	1.614	1.654	1.693	1.732	1.772	1.811	1.850	1.890	1.929
50	1.969	2.008	2.047	2.087	2.126	2.165	2.205	2.214	2.283	2.323
60	2.362	2.402	2.441	2.480	2.520	2.559	2.598	2.638	2.677	2.717
70	2.756	2.795	2.835	2.874	2.913	2.953	2.992	3.031	3.071	3.110
80	3.150	3.189	3.228	3.268	3.307	3.346	3.386	3.425	3.465	3.504
90	3.543	3.583	3.622	3.661	3.701	3.740	3.780	3.819	3.858	3.898

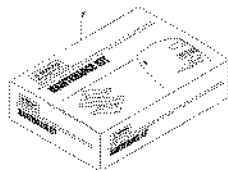
How to read

	0	1	2	3	4
00
10
20	0.906	...
30


 23 millimeters equal 0.906 inch

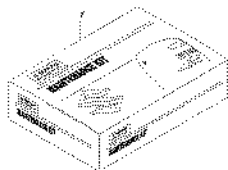
Contents are subject to change without notice or obligation.

FIG. 10AA



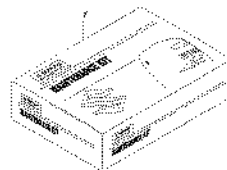
cover the lid and
explosion view

FIG. 10AB



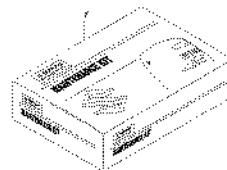
cover the lid and
explosion view

FIG. 10AC



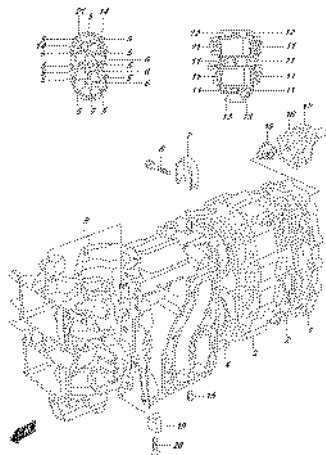
cover the lid and
explosion view

FIG. 10AD



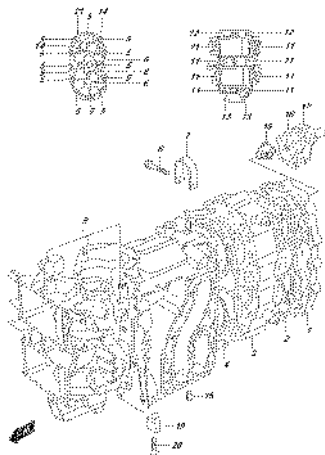
cover the lid and
explosion view

FIG. 11BA



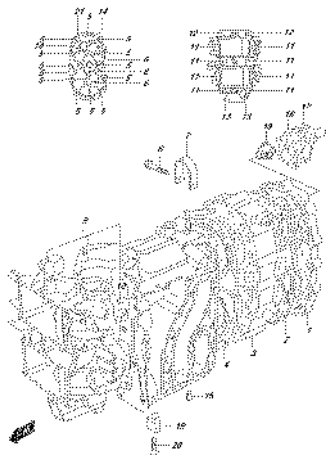
cover the lid and
explosion view

FIG. 11BB



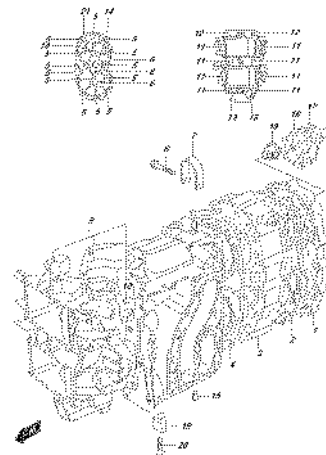
cover the lid and
explosion view

FIG. 11BC



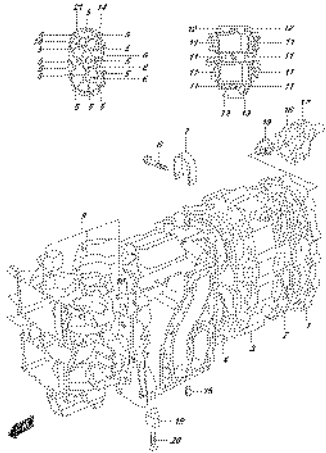
cover the lid and
explosion view

FIG. 11BD



cover the lid and
explosion view

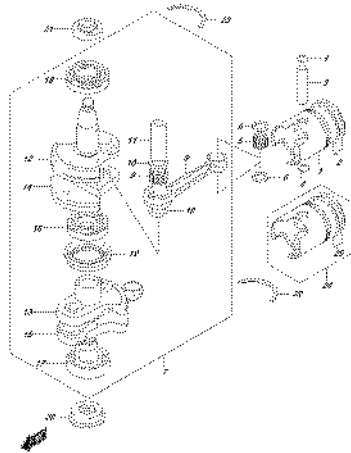
FIG. 112E



Sheet 86 of 107

Drawn by /

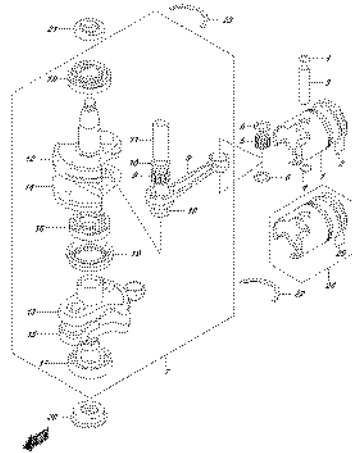
FIG. 116A



Sheet 86 of 107

Drawn by /

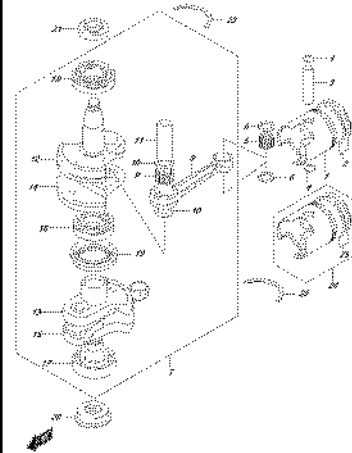
FIG. 116B



Sheet 86 of 107

Drawn by /

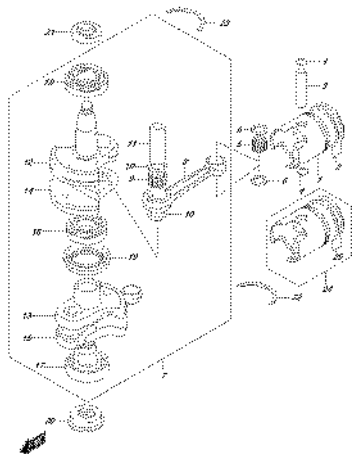
FIG. 116C



Sheet 86 of 107

Drawn by /

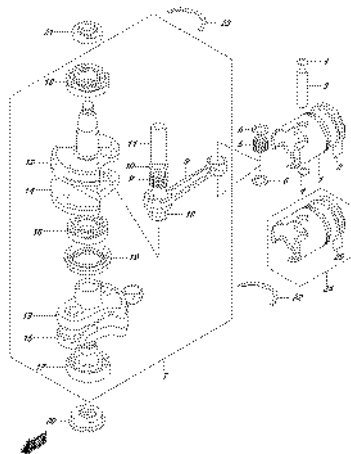
FIG. 116D



Sheet 86 of 107

Drawn by /

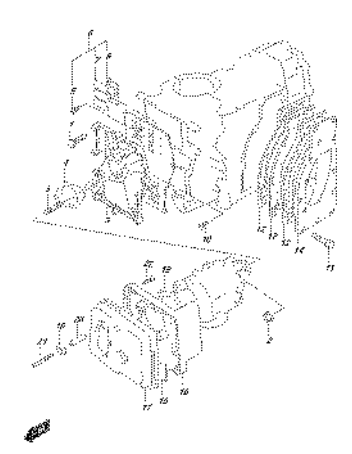
FIG. 116E



Sheet 86 of 107

Drawn by /

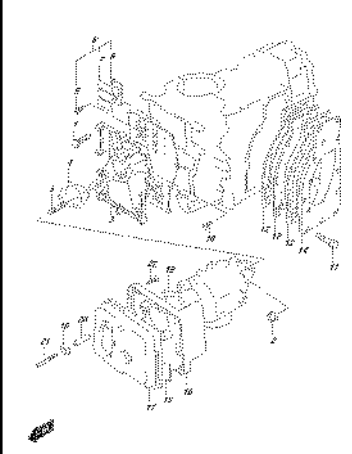
FIG. 125A



Sheet 86 of 107

Drawn by /

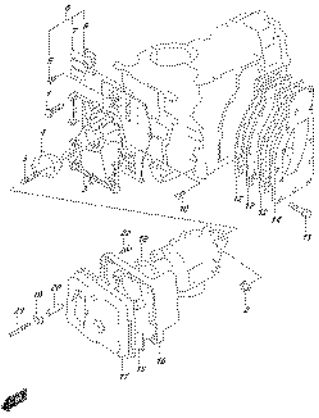
FIG. 125B



Sheet 86 of 107

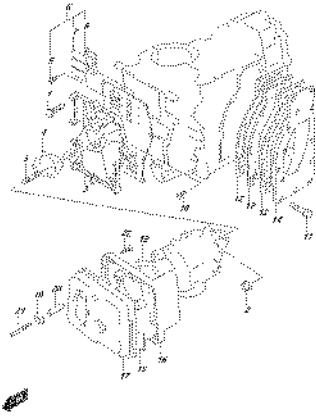
Drawn by /

FIG. 125C



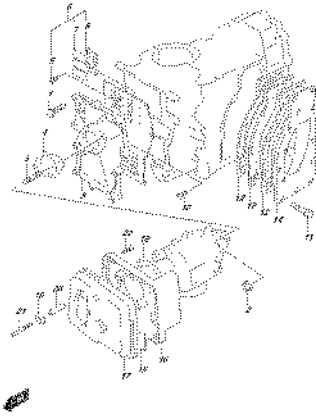
©2015 Ford Motor Company

FIG. 125D



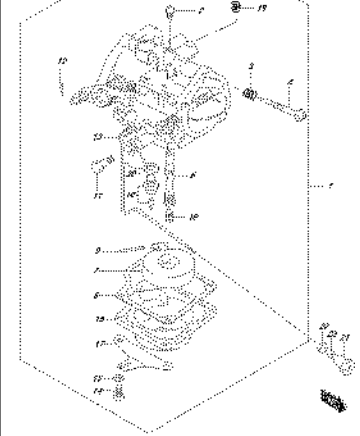
©2015 Ford Motor Company

FIG. 125E



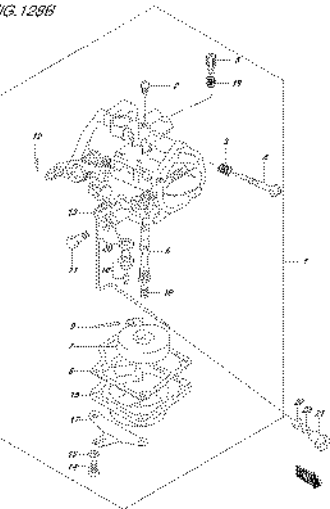
©2015 Ford Motor Company

FIG. 128A



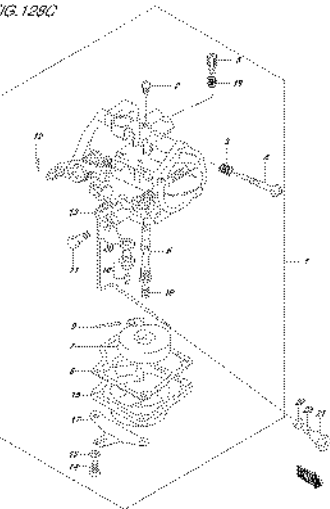
©2015 Ford Motor Company

FIG. 128B



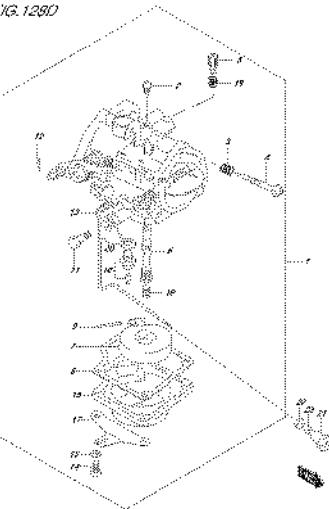
©2015 Ford Motor Company

FIG. 128C



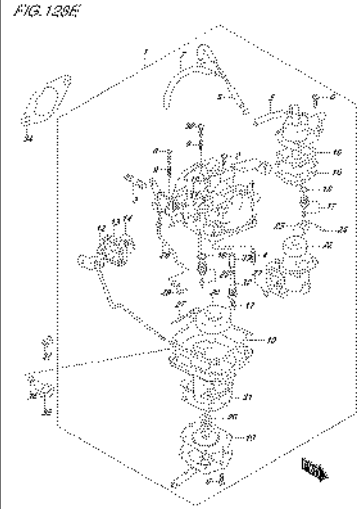
©2015 Ford Motor Company

FIG. 128D



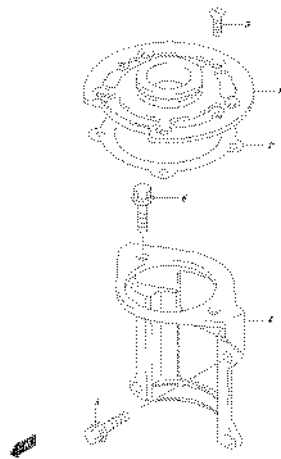
©2015 Ford Motor Company

FIG. 128E



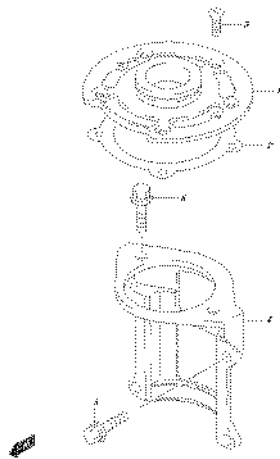
©2015 Ford Motor Company

FIG. 130A



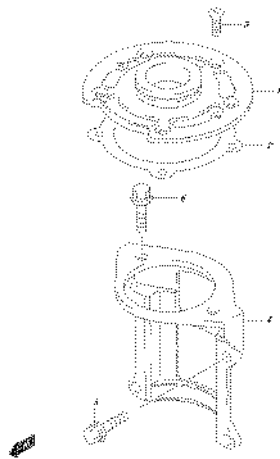
assembly 130A, 130B, 130C, 130D, 130E

FIG. 130B



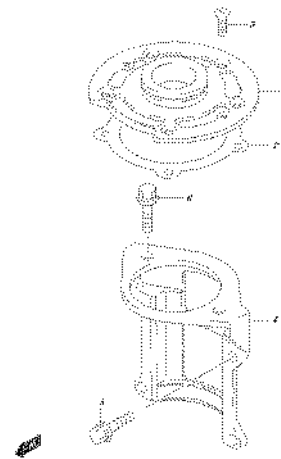
assembly 130A, 130B, 130C, 130D, 130E

FIG. 130C



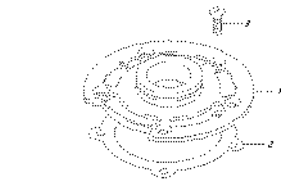
assembly 130A, 130B, 130C, 130D, 130E

FIG. 130D



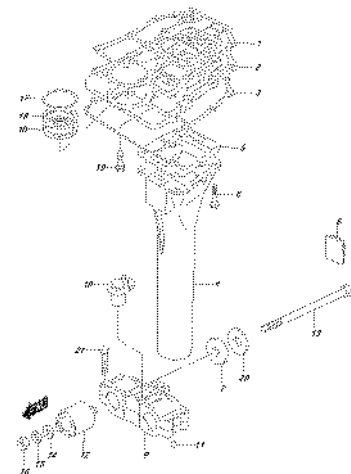
assembly 130A, 130B, 130C, 130D, 130E

FIG. 130E



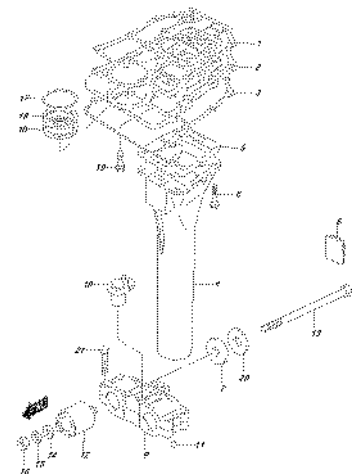
assembly 130A, 130B, 130C, 130D, 130E

FIG. 141A



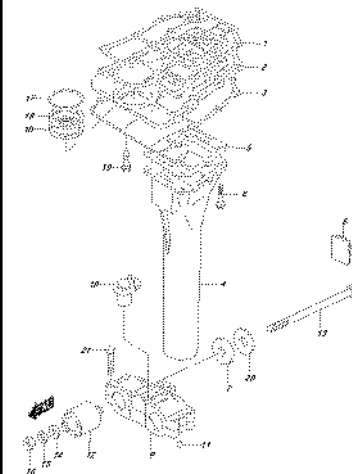
assembly 141A, 141B, 141C

FIG. 141B



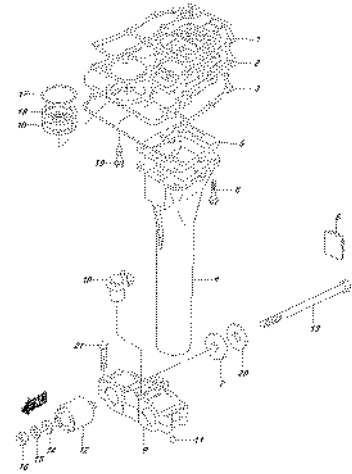
assembly 141A, 141B, 141C

FIG. 141C



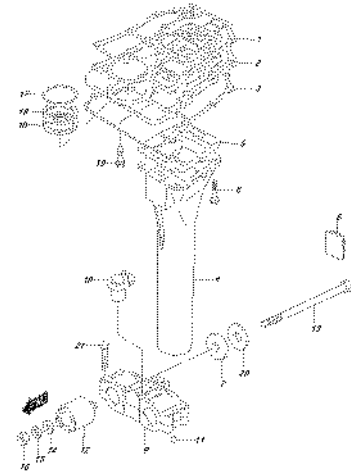
assembly 141A, 141B, 141C

FIG. 141D



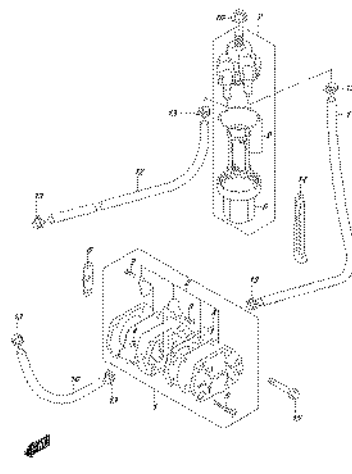
©2015 GM Corp. All rights reserved.

FIG. 141E



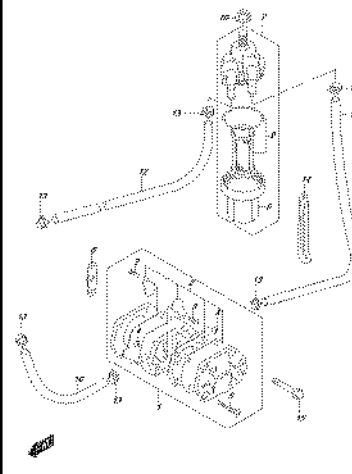
©2015 GM Corp. All rights reserved.

FIG. 146A



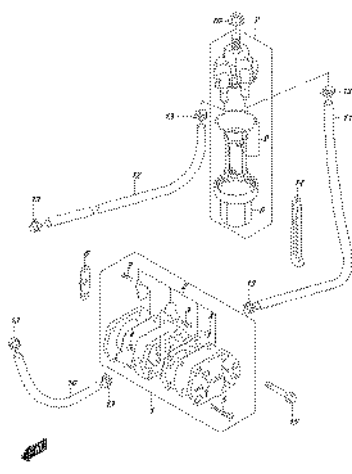
©2015 GM Corp. All rights reserved.

FIG. 146B



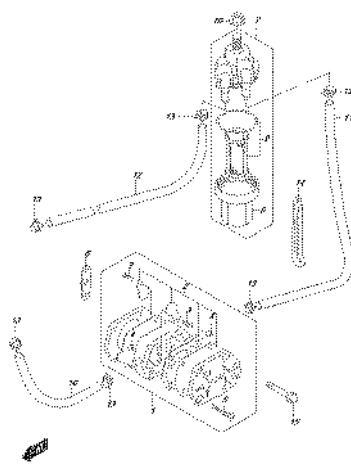
©2015 GM Corp. All rights reserved.

FIG. 146C



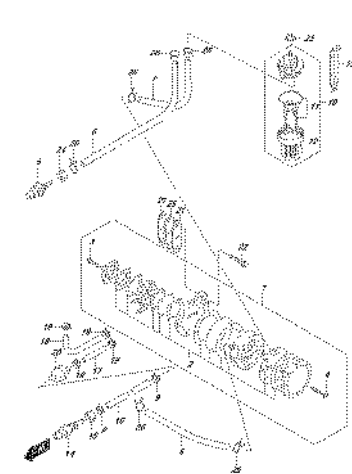
©2015 GM Corp. All rights reserved.

FIG. 146D



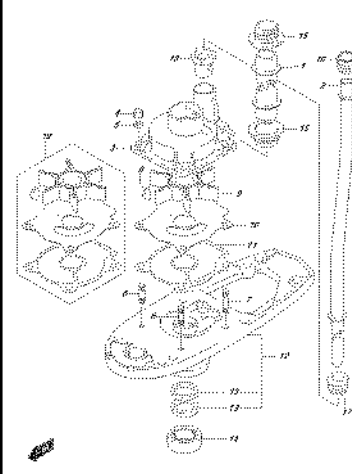
©2015 GM Corp. All rights reserved.

FIG. 146E



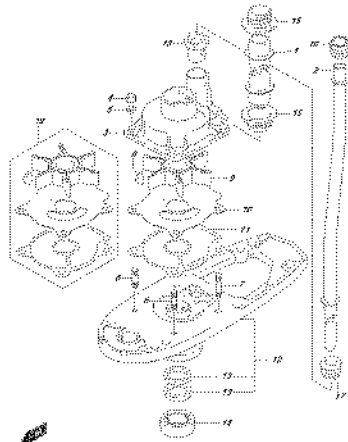
©2015 GM Corp. All rights reserved.

FIG. 160A



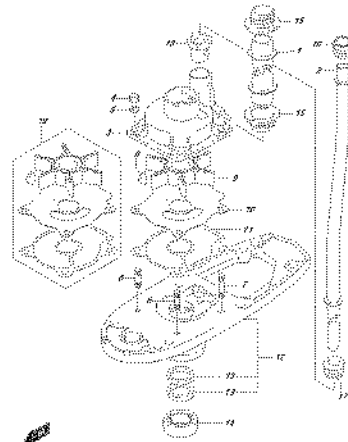
©2015 GM Corp. All rights reserved.

FIG. 160B



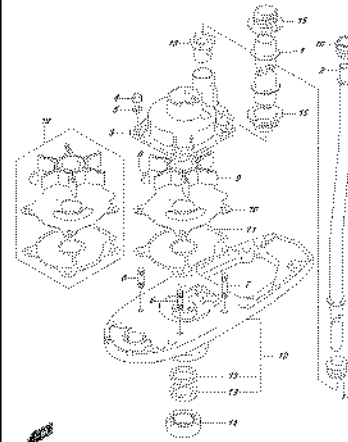
© 2013 Intel Corporation

FIG. 160C



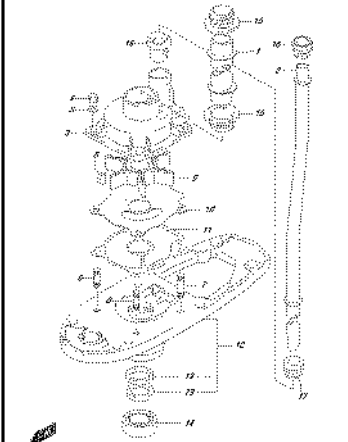
© 2013 Intel Corporation

FIG. 160D



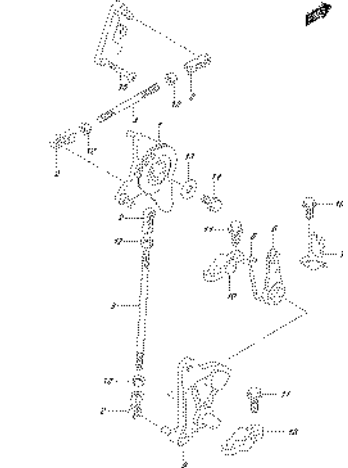
© 2013 Intel Corporation

FIG. 160E



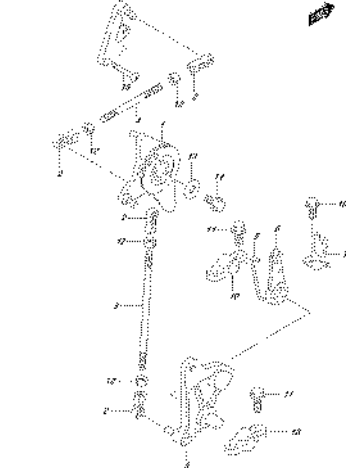
© 2013 Intel Corporation

FIG. 166A



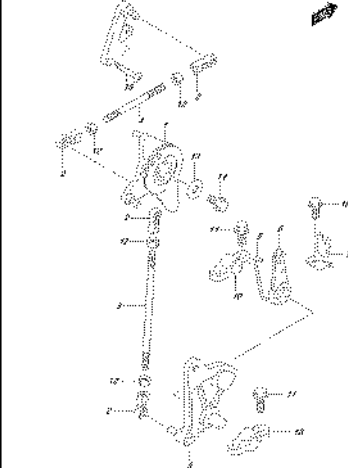
© 2013 Intel Corporation

FIG. 166B



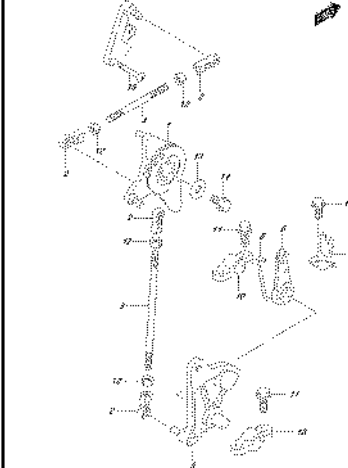
© 2013 Intel Corporation

FIG. 166C



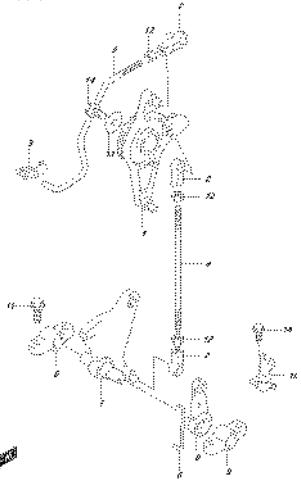
© 2013 Intel Corporation

FIG. 166D



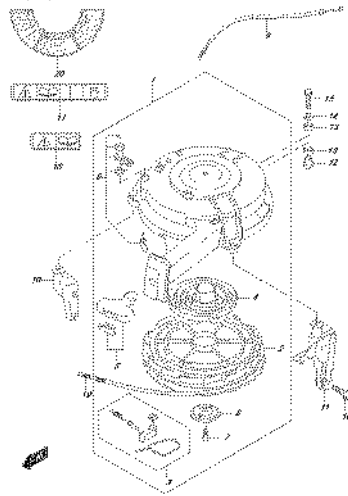
© 2013 Intel Corporation

FIG. 166E



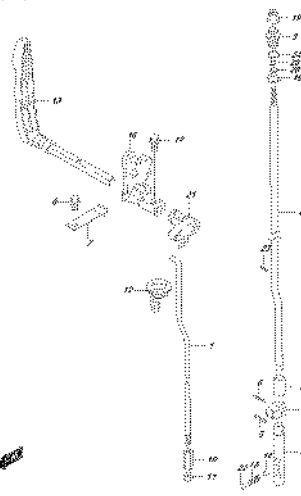
Copyright © 2014
Ducati

FIG. 167A



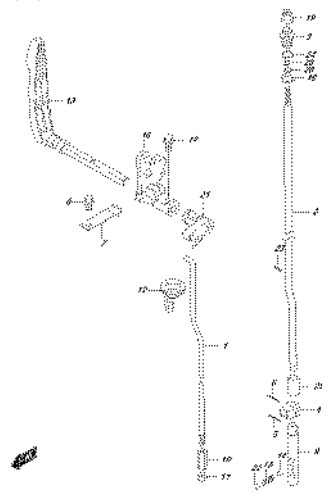
Copyright © 2014
Ducati

FIG. 201A



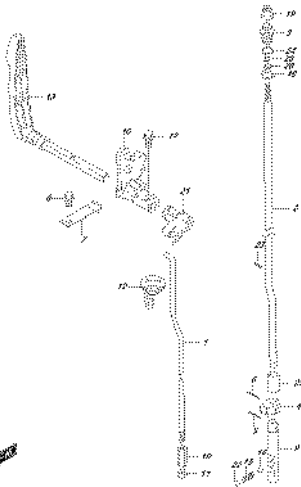
Copyright © 2014
Ducati

FIG. 201B



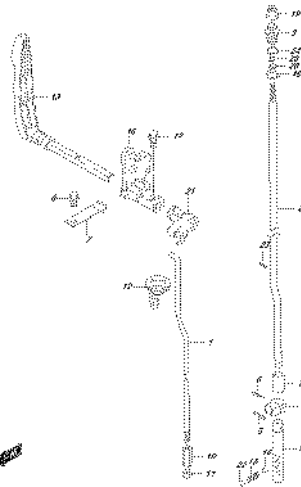
Copyright © 2014
Ducati

FIG. 201C



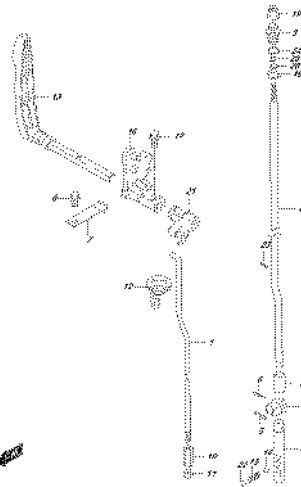
Copyright © 2014
Ducati

FIG. 201D



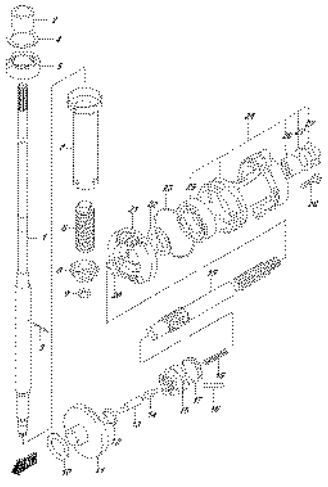
Copyright © 2014
Ducati

FIG. 201E



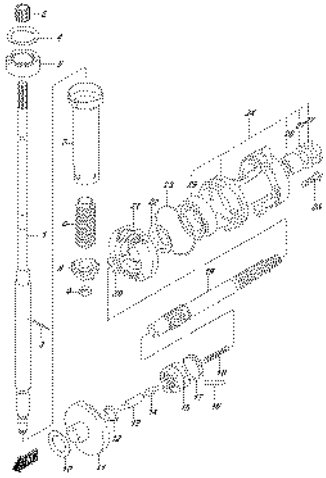
Copyright © 2014
Ducati

FIG. 220A



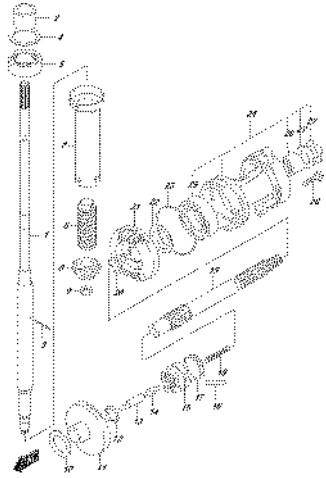
Copyright © 2014
Ducati

FIG. 220B



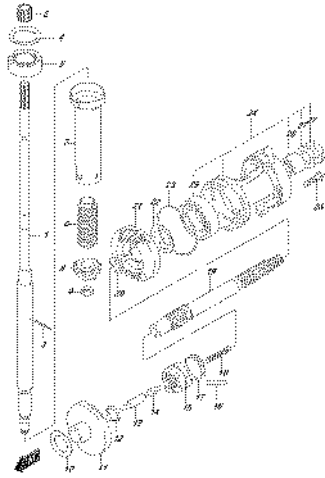
© 2012 Intel Corporation

FIG. 220C



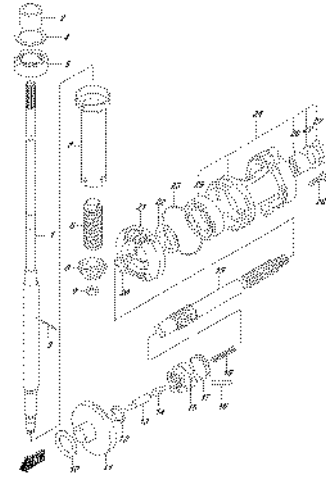
© 2012 Intel Corporation

FIG. 220D



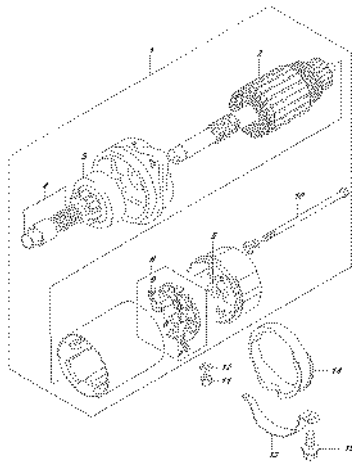
© 2012 Intel Corporation

FIG. 220E



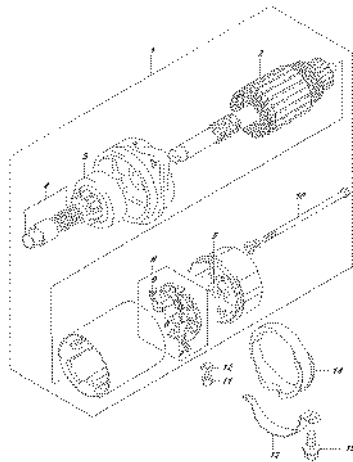
© 2012 Intel Corporation

FIG. 301A



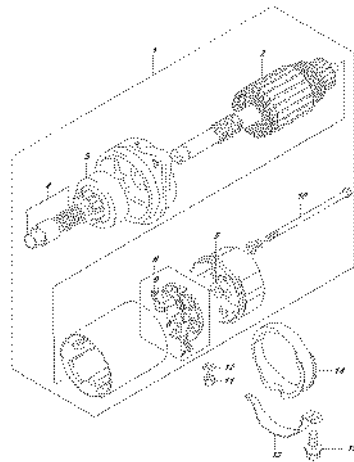
© 2012 Intel Corporation

FIG. 301B



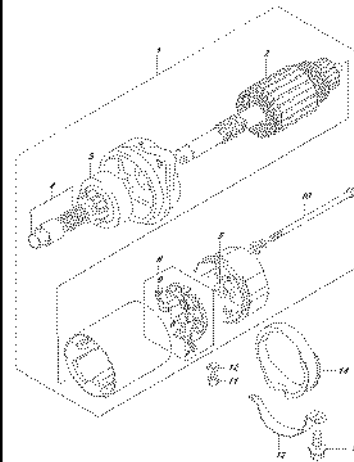
© 2012 Intel Corporation

FIG. 301C



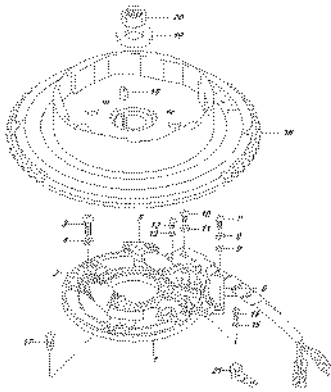
© 2012 Intel Corporation

FIG. 301D



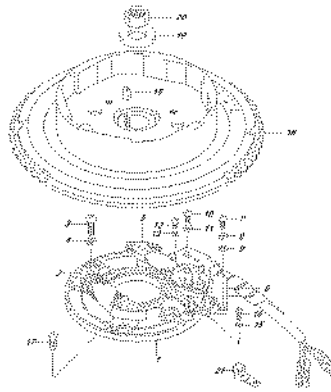
© 2012 Intel Corporation

FIG. 303A



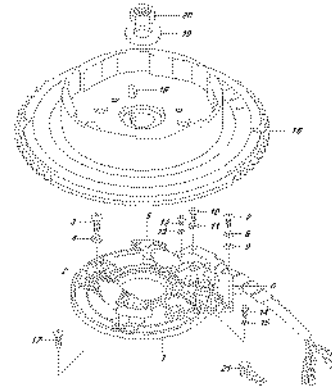
©2012 Intel Corporation. All rights reserved.

FIG. 303B



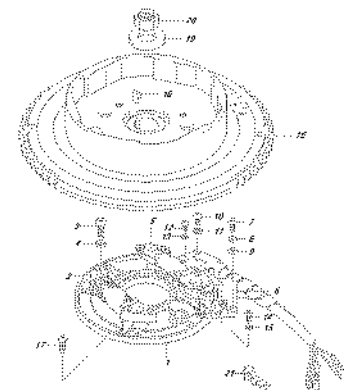
©2012 Intel Corporation. All rights reserved.

FIG. 303C



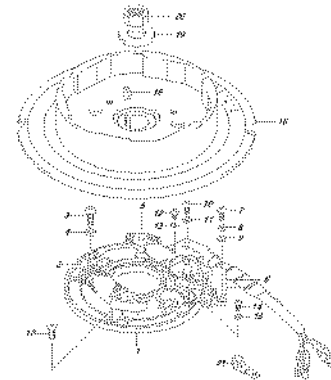
©2012 Intel Corporation. All rights reserved.

FIG. 303D



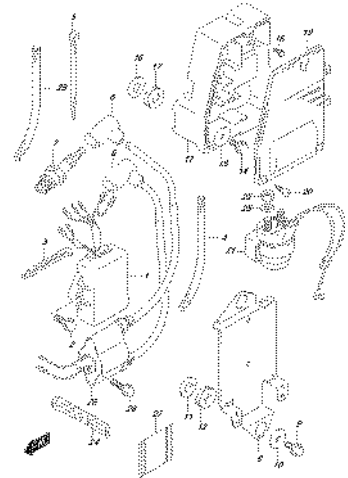
©2012 Intel Corporation. All rights reserved.

FIG. 303E



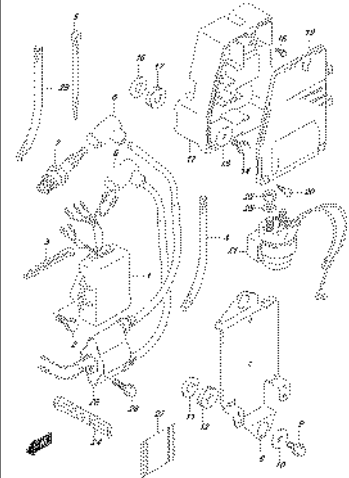
©2012 Intel Corporation. All rights reserved.

FIG. 303A



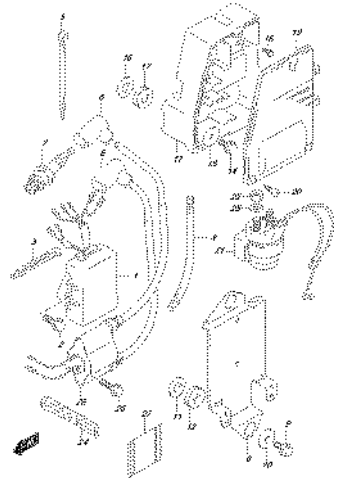
©2012 Intel Corporation. All rights reserved.

FIG. 303B



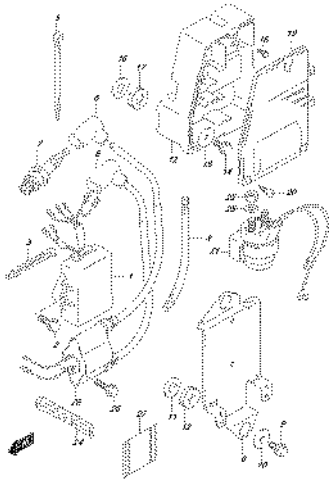
©2012 Intel Corporation. All rights reserved.

FIG. 303C



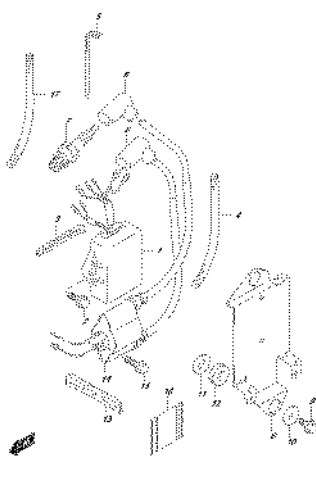
©2012 Intel Corporation. All rights reserved.

FIG. 308D



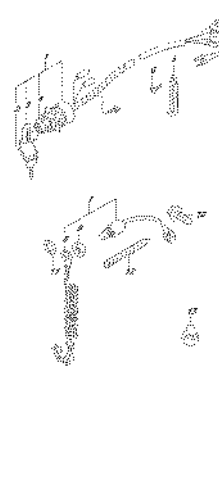
Copyright © 2012
Zhang et al.

FIG. 308E



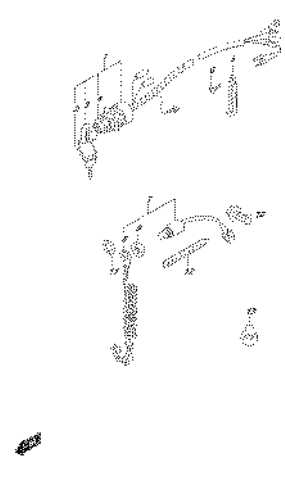
Copyright © 2012
Zhang et al.

FIG. 308A



Copyright © 2012
Zhang et al.

FIG. 308B



Copyright © 2012
Zhang et al.

FIG. 308C



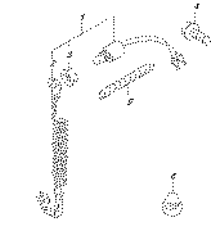
Copyright © 2012
Zhang et al.

FIG. 308D



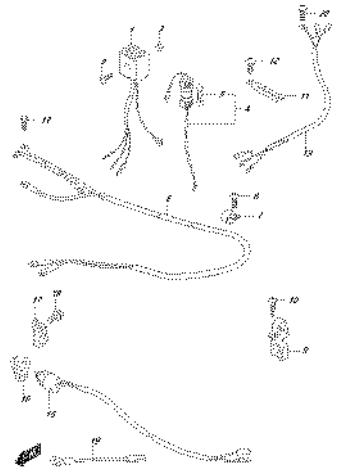
Copyright © 2012
Zhang et al.

FIG. 308E



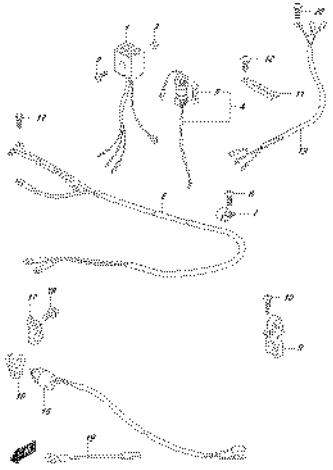
Copyright © 2012
Zhang et al.

FIG. 319A



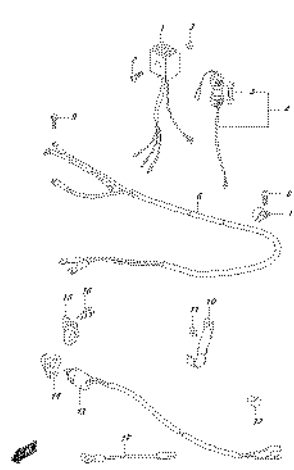
Copyright © 2012
Zhang et al.

FIG. 3198



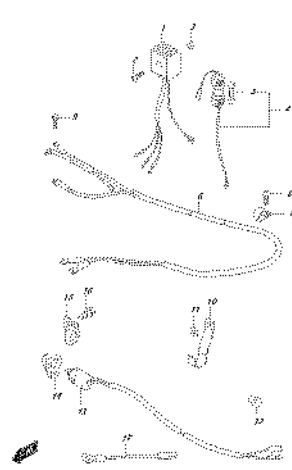
© 2010 GM Corp. All rights reserved.

FIG. 3199



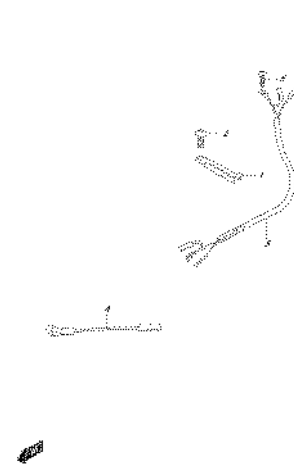
© 2010 GM Corp. All rights reserved.

FIG. 3199



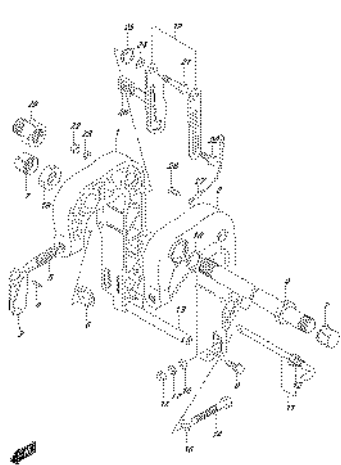
© 2010 GM Corp. All rights reserved.

FIG. 319E



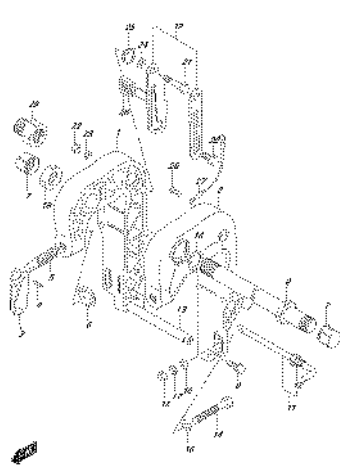
© 2010 GM Corp. All rights reserved.

FIG. 335A



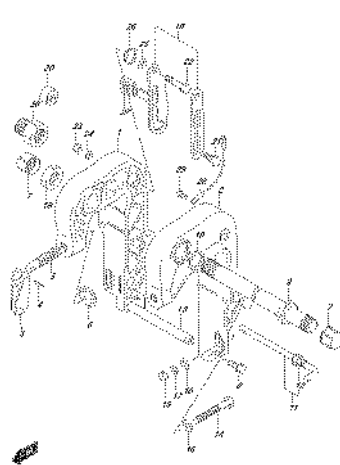
© 2010 GM Corp. All rights reserved.

FIG. 335B



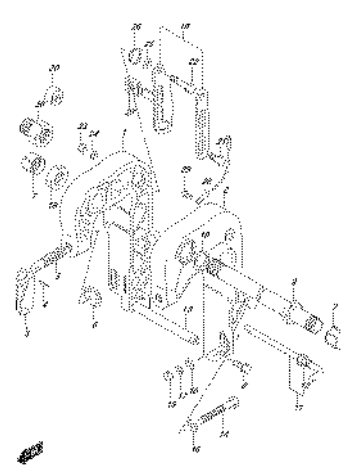
© 2010 GM Corp. All rights reserved.

FIG. 335C



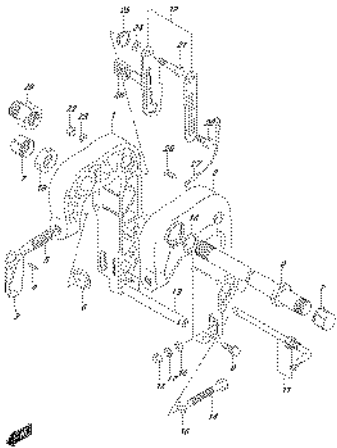
© 2010 GM Corp. All rights reserved.

FIG. 335D



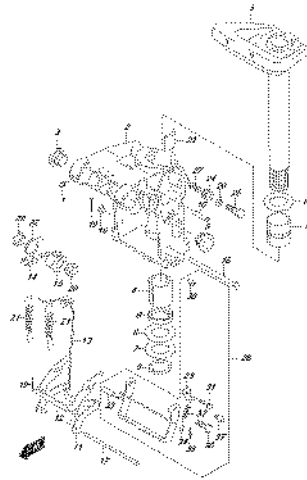
© 2010 GM Corp. All rights reserved.

FIG. 335E



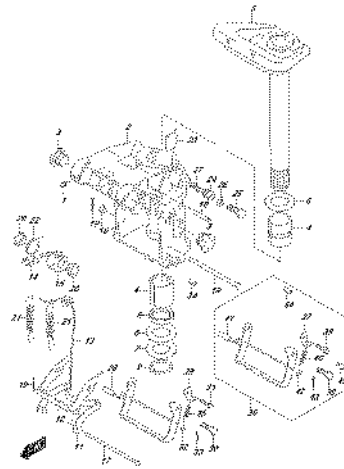
©2015 Intel Corporation
#REV: 06/07/17

FIG. 335A



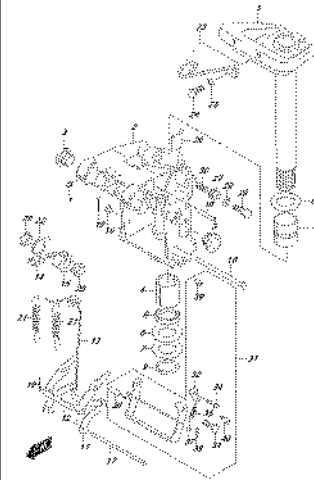
©2015 Intel Corporation
#REV: 06/07/17

FIG. 335B



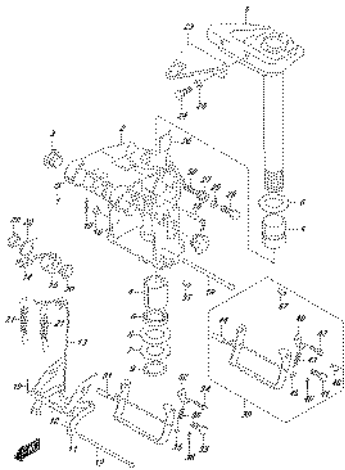
©2015 Intel Corporation
#REV: 06/07/17

FIG. 335C



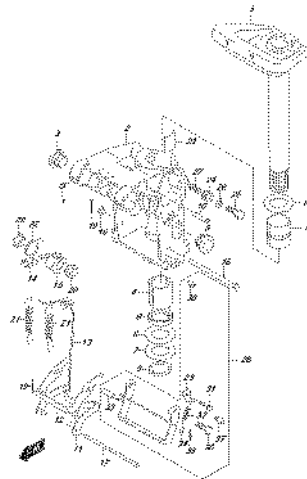
©2015 Intel Corporation
#REV: 06/07/17

FIG. 335D



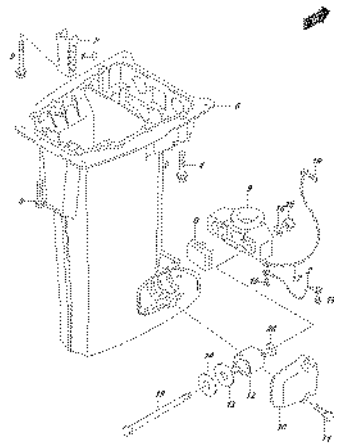
©2015 Intel Corporation
#REV: 06/07/17

FIG. 335F



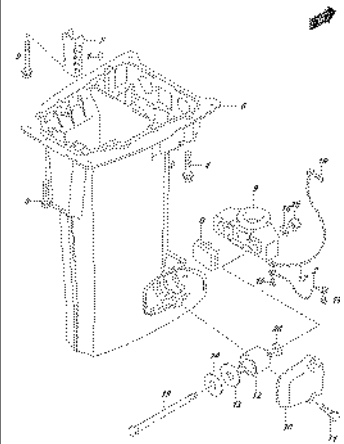
©2015 Intel Corporation
#REV: 06/07/17

FIG. 405A



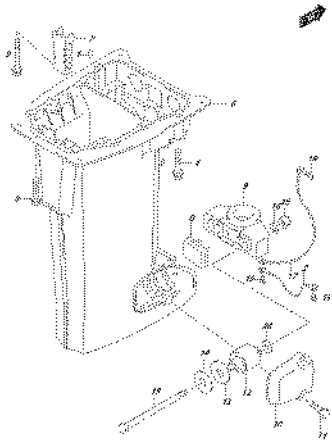
©2015 Intel Corporation
#REV: 11/07/10 0002

FIG. 405B



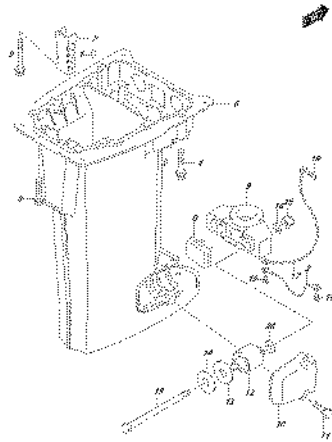
©2015 Intel Corporation
#REV: 11/07/10 0002

FIG. 405C



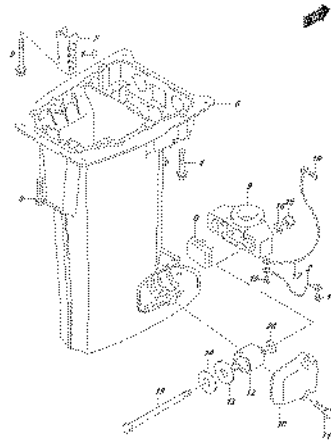
©2015 Ford Motor Company
All rights reserved.

FIG. 405D



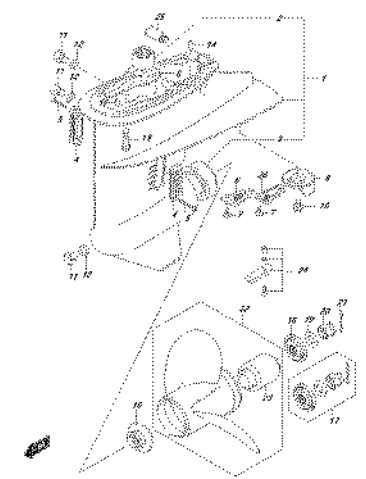
©2015 Ford Motor Company
All rights reserved.

FIG. 405E



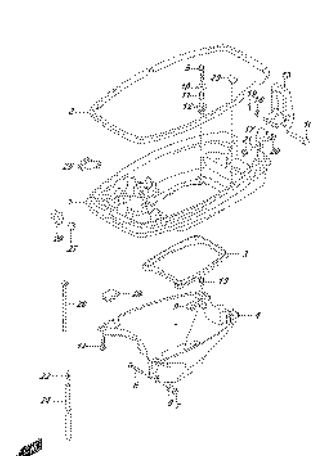
©2015 Ford Motor Company
All rights reserved.

FIG. 407A



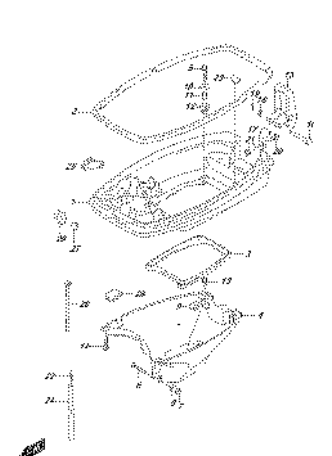
©2015 Ford Motor Company
All rights reserved.

FIG. 412A



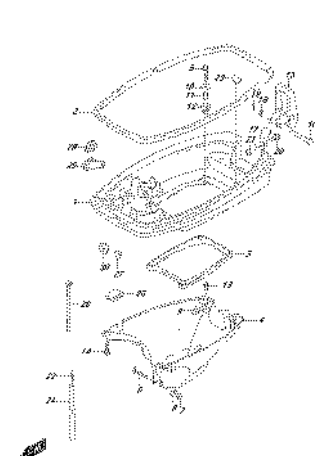
©2015 Ford Motor Company
All rights reserved.

FIG. 412B



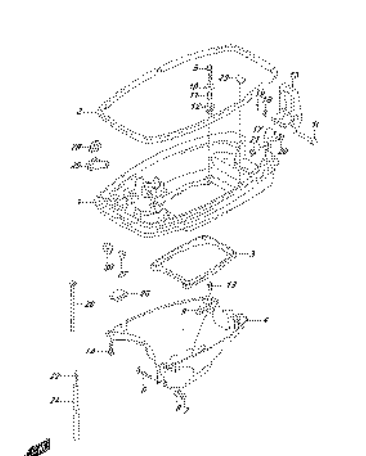
©2015 Ford Motor Company
All rights reserved.

FIG. 412C



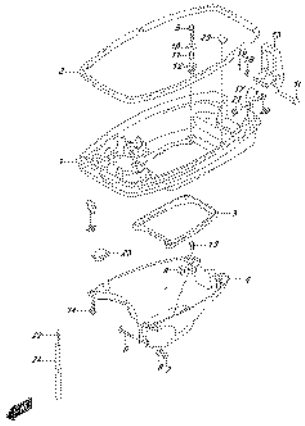
©2015 Ford Motor Company
All rights reserved.

FIG. 412D



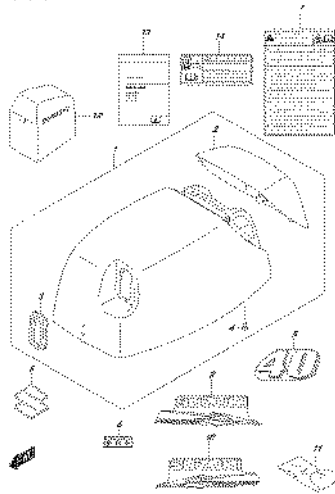
©2015 Ford Motor Company
All rights reserved.

FIG. 412E



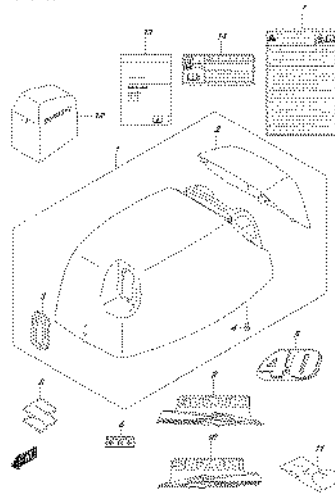
Ident. 412E
Pagine 2/10

FIG. 420A



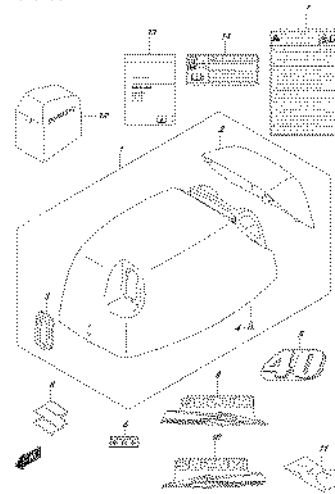
Ident. 420A
Pagine 2/10

FIG. 420B



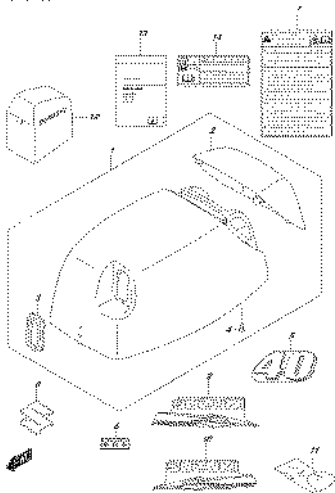
Ident. 420B
Pagine 2/10

FIG. 420C



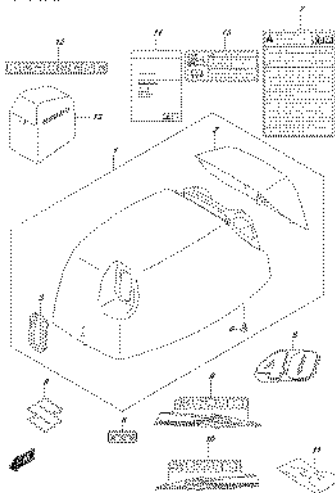
Ident. 420C
Pagine 2/10

FIG. 420D



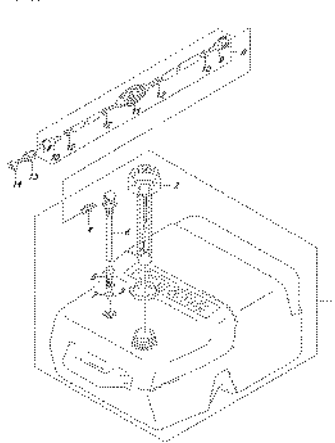
Ident. 420D
Pagine 2/10

FIG. 420E



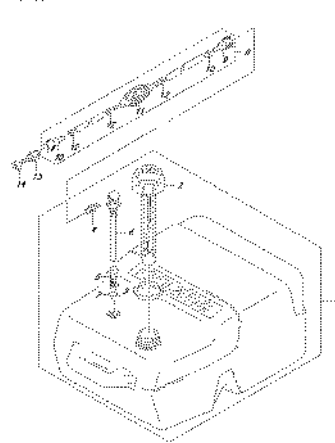
Ident. 420E
Pagine 2/10

FIG. 432A



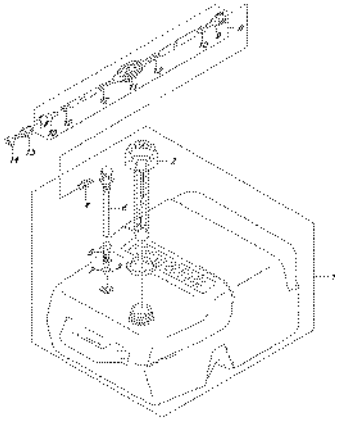
Ident. 432A
Pagine 2/10

FIG. 432B



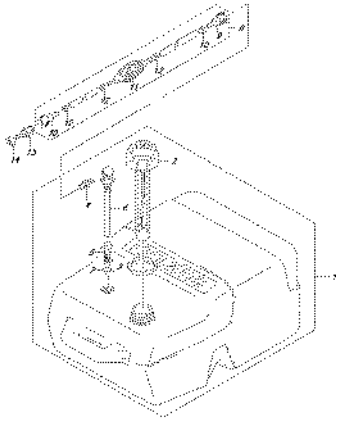
Ident. 432B
Pagine 2/10

FIG. 4.32D



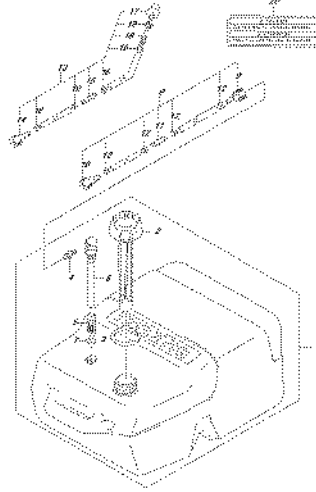
© 2006 Intel Corp.
DPA 3000

FIG. 4.32D



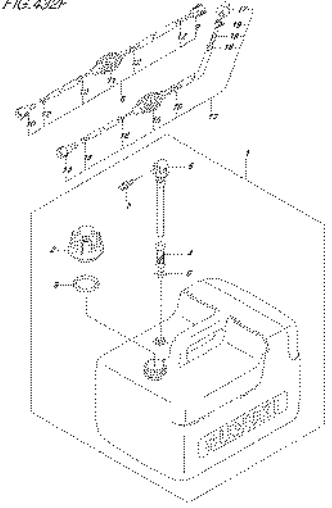
© 2006 Intel Corp.
DPA 3000

FIG. 4.32E



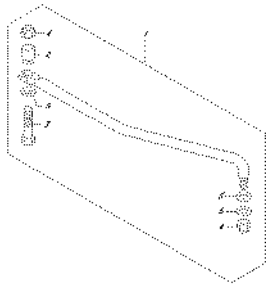
© 2006 Intel Corp.
DPA 3000

FIG. 4.32F



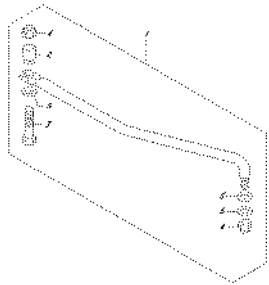
© 2006 Intel Corp.
DPA 3000

FIG. 4.42A



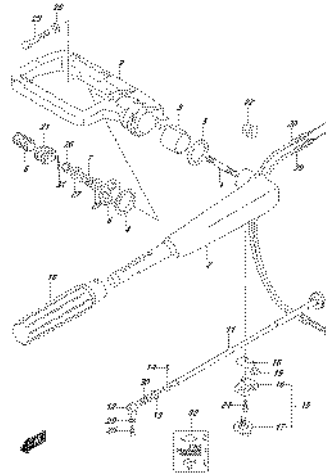
© 2006 Intel Corp.
DPA 3000

FIG. 4.42B



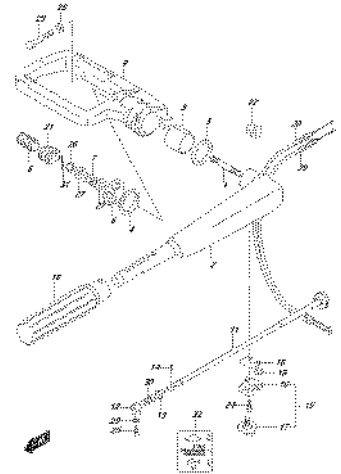
© 2006 Intel Corp.
DPA 3000

FIG. 4.44A



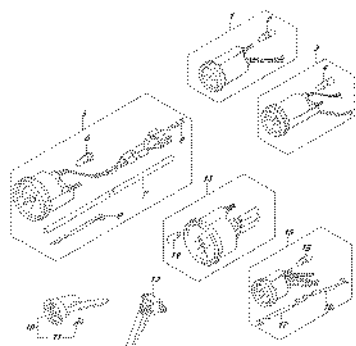
© 2006 Intel Corp.
DPA 3000

FIG. 4.44B



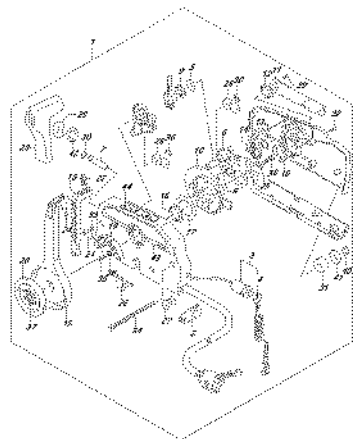
© 2006 Intel Corp.
DPA 3000

FIG.5010



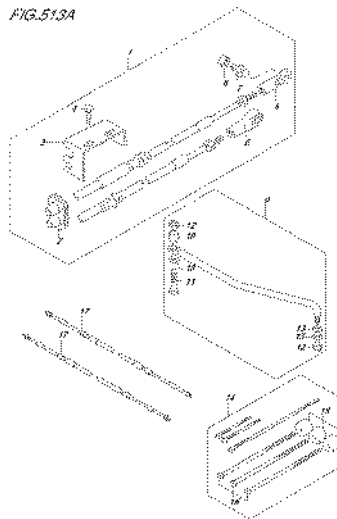
©2015 SAE International

FIG.508A



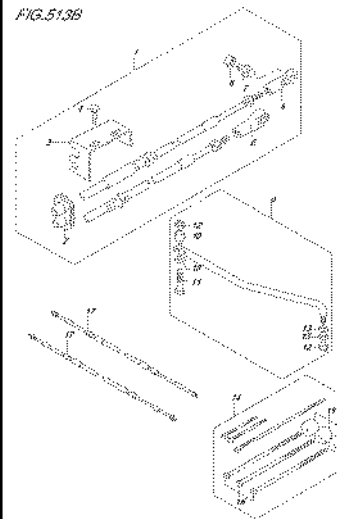
©2015 SAE International

FIG.513A



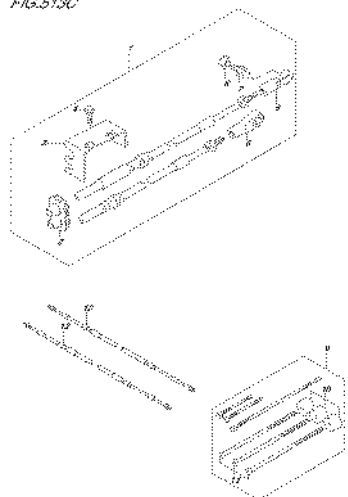
©2015 SAE International

FIG.513B



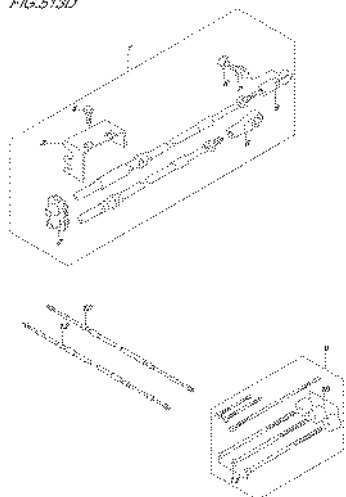
©2015 SAE International

FIG.513C



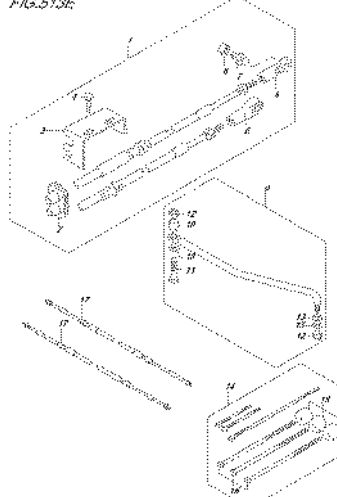
©2015 SAE International

FIG.513D



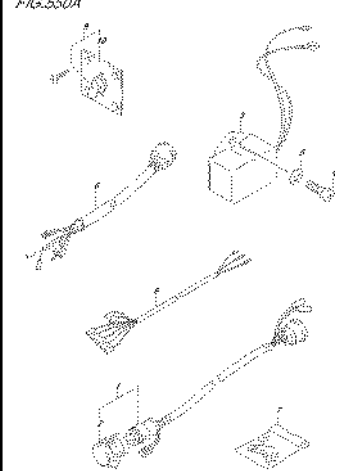
©2015 SAE International

FIG.513E



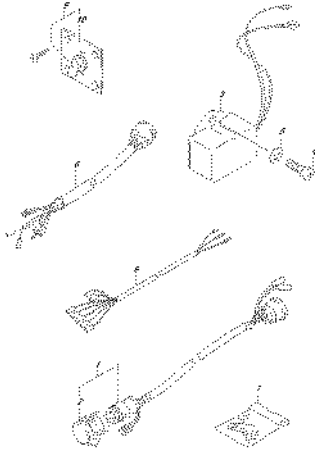
©2015 SAE International

FIG.550A



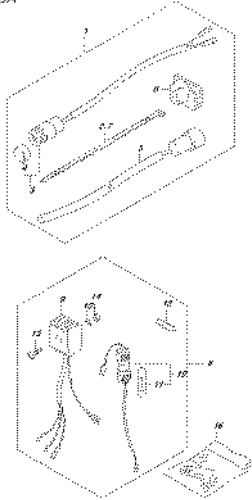
©2015 SAE International

FIG. 550B



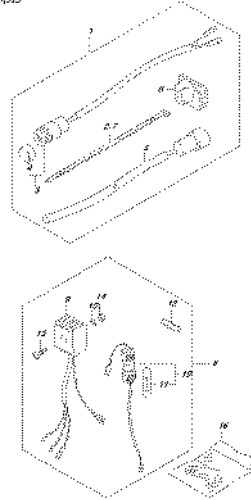
©2015 Intel Corporation. All rights reserved.

FIG. 553A



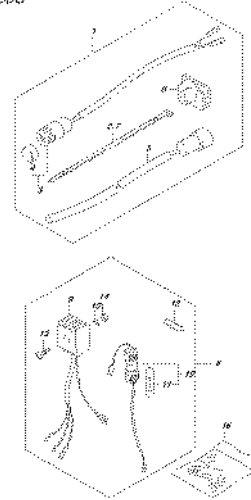
©2015 Intel Corporation. All rights reserved.

FIG. 553B



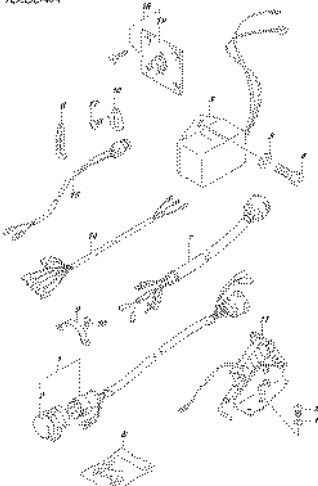
©2015 Intel Corporation. All rights reserved.

FIG. 553C



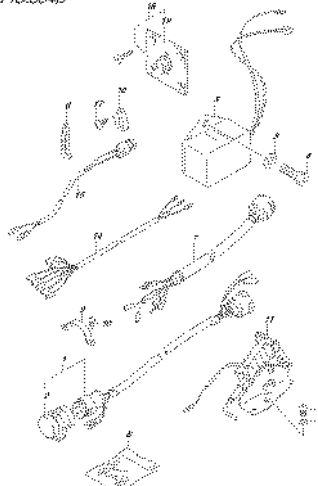
©2015 Intel Corporation. All rights reserved.

FIG. 554A



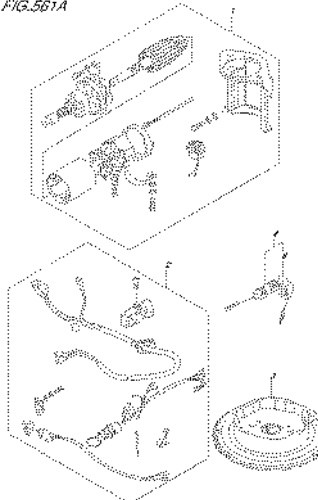
©2015 Intel Corporation. All rights reserved.

FIG. 554B



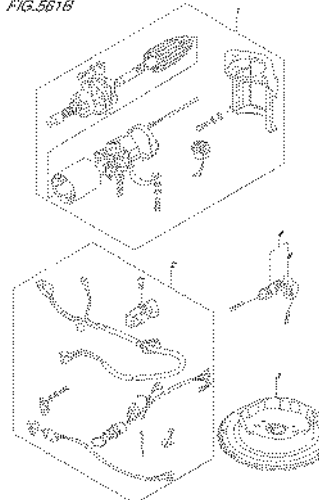
©2015 Intel Corporation. All rights reserved.

FIG. 561A



©2015 Intel Corporation. All rights reserved.

FIG. 561B



©2015 Intel Corporation. All rights reserved.

FIG.10AA

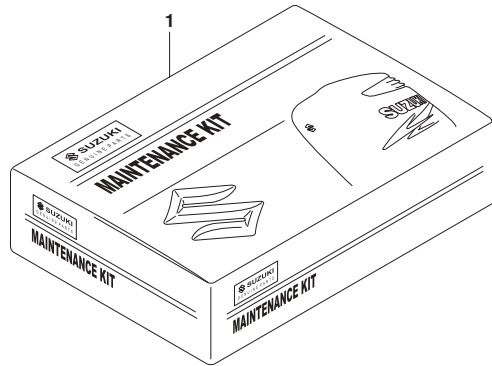


FIG.10AA (1-B-2) MAINTENANCE KIT (DT40W P40)

REF NO.	PART NO.	DESCRIPTION	Q'TY	REMARKS
1	17400-92810	MAINTENANCE KIT	1	
2	17400-94412	.KIT, WATER PUMP REPAIR	1	NOT ILLUSTRATED
3	17685-94410	.GASKET, THERMOSTAT COVER	1	NOT ILLUSTRATED
4	09168-10022	.GASKET (10X17X1.5)	2	NOT ILLUSTRATED
5	09204-03003	.COTTER PIN (D:3.6,L:25)	1	NOT ILLUSTRATED
6	09482-00370	.SPARK PLUG (BR8HS-10)	2	NOT ILLUSTRATED

FIG.10AB

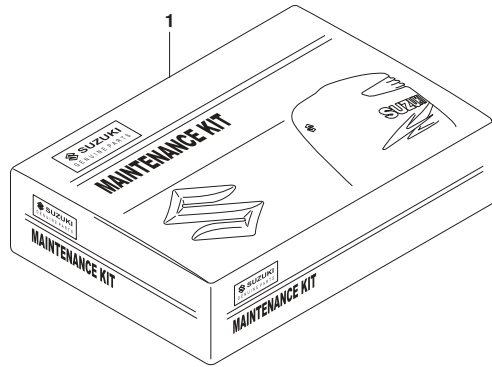


FIG.10AB (1-B-3) MAINTENANCE KIT (DT40W P90)

REF NO.	PART NO.	DESCRIPTION	Q'TY	REMARKS
1	17400-92810	MAINTENANCE KIT	1	
2	17400-94412	.KIT, WATER PUMP REPAIR	1	NOT ILLUSTRATED
3	17685-94410	.GASKET, THERMOSTAT COVER	1	NOT ILLUSTRATED
4	09168-10022	.GASKET (10X17X1.5)	2	NOT ILLUSTRATED
5	09204-03003	.COTTER PIN (D:3.6,L:25)	1	NOT ILLUSTRATED
6	09482-00370	.SPARK PLUG (BR8HS-10)	2	NOT ILLUSTRATED

FIG.10AC

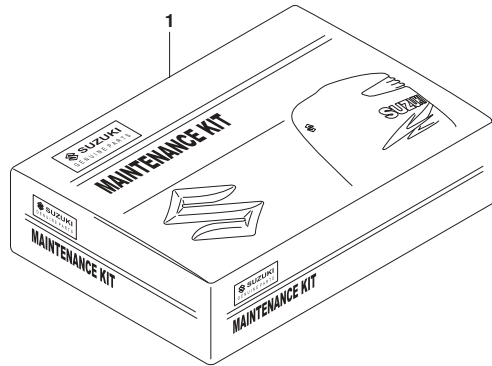


FIG.10AC (1-B-4) MAINTENANCE KIT (DT40WR P40)

REF NO.	PART NO.	DESCRIPTION	QTY	REMARKS
1	17400-92810	MAINTENANCE KIT	1	
2	17400-94412	.KIT, WATER PUMP REPAIR	1	NOT ILLUSTRATED
3	17685-94410	.GASKET, THERMOSTAT COVER	1	NOT ILLUSTRATED
4	09168-10022	.GASKET (10X17X1.5)	2	NOT ILLUSTRATED
5	09204-03003	.COTTER PIN (D:3.6,L:25)	1	NOT ILLUSTRATED
6	09482-00370	.SPARK PLUG (BR8HS-10)	2	NOT ILLUSTRATED

FIG.10AD

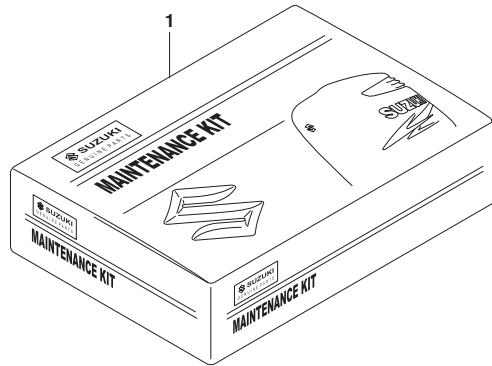


FIG.10AD (1-B-5) MAINTENANCE KIT (DT40WR P90)

REF NO.	PART NO.	DESCRIPTION	QTY	REMARKS
1	17400-92810	MAINTENANCE KIT	1	
2	17400-94412	.KIT, WATER PUMP REPAIR	1	NOT ILLUSTRATED
3	17685-94410	.GASKET, THERMOSTAT COVER	1	NOT ILLUSTRATED
4	09168-10022	.GASKET (10X17X1.5)	2	NOT ILLUSTRATED
5	09204-03003	.COTTER PIN (D:3.6,L:25)	1	NOT ILLUSTRATED
6	09482-00370	.SPARK PLUG (BR8HS-10)	2	NOT ILLUSTRATED

FIG.112A

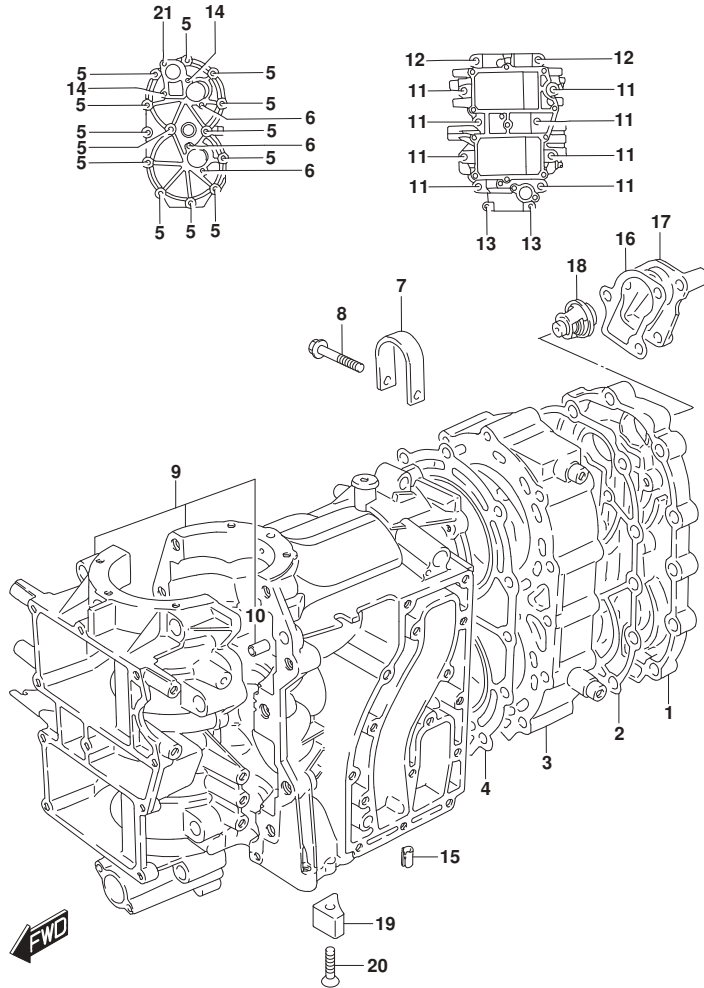


FIG.112A (1-B-6) CYLINDER (DT40W P40)

REF NO.	PART NO.	DESCRIPTION	Q'TY	REMARKS
1	11161-92L10	COVER, CYLINDER HEAD	1	
2	11162-92L00	GASKET, CYLINDER HEAD COVER	1	
3	11111-92L20	HEAD, CYLINDER	1	
4	11141-94450	GASKET, CYLINDER HEAD	1	
5	01560-08757	BOLT	13	
6	01550-06307	BOLT	3	
7	11291-94402	HOOK, ENGINE	1	
8	01550-08357	BOLT	1	
9	11300-92L30	CYLINDER ASSY	1	
10	04211-09109	.KNOCK PIN	2	
11	01550-10557	.BOLT	8	
12	01560-10657	.BOLT	2	
13	01550-06407	.BOLT	2	
14	01560-06457	BOLT	2	
15	09205-06011	SPRING PIN (6X12)	1	
16	17685-94410	GASKET, THERMOSTAT COVER	1	
17	17681-92L10	COVER, THERMOSTAT	1	
18	17670-93962	THERMOSTAT (50sC)	1	
19	11281-94400	PROTECTION, ANODE	1	
20	09126-06005	SCREW (6X30)	1	
21	01550-06307	BOLT	1	

FIG.112B

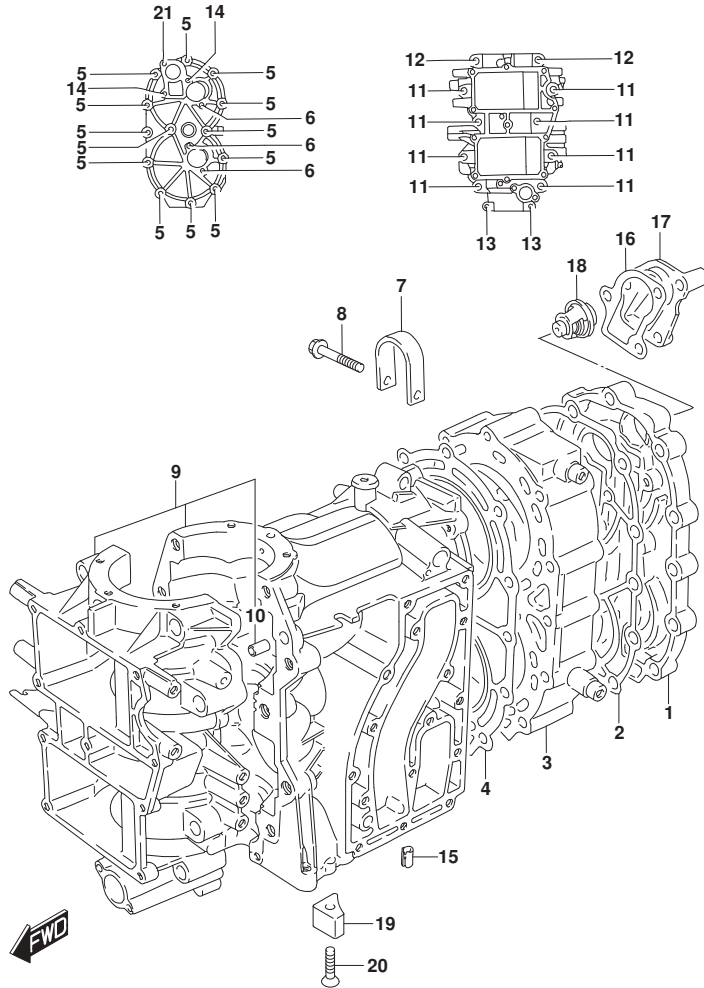


FIG.112B (1-B-7) CYLINDER (DT40W P90)

REF NO.	PART NO.	DESCRIPTION	Q'TY	REMARKS
1	11161-92L10	COVER, CYLINDER HEAD	1	
2	11162-92L00	GASKET, CYLINDER HEAD COVER	1	
3	11111-92L20	HEAD, CYLINDER	1	
4	11141-94450	GASKET, CYLINDER HEAD	1	
5	01560-08757	BOLT	13	
6	01550-06307	BOLT	3	
7	11291-94402	HOOK, ENGINE	1	
8	01550-08357	BOLT	1	
9	11300-92L30	CYLINDER ASSY	1	
10	04211-09109	.KNOCK PIN	2	
11	01550-10557	.BOLT	8	
12	01560-10657	.BOLT	2	
13	01550-06407	.BOLT	2	
14	01560-06457	BOLT	2	
15	09205-06011	SPRING PIN (6X12)	1	
16	17685-94410	GASKET, THERMOSTAT COVER	1	
17	17681-92L10	COVER, THERMOSTAT	1	
18	17670-93962	THERMOSTAT (50sC)	1	
19	11281-94400	PROTECTION, ANODE	1	
20	09126-06005	SCREW (6X30)	1	
21	01550-06307	BOLT	1	

FIG.112C

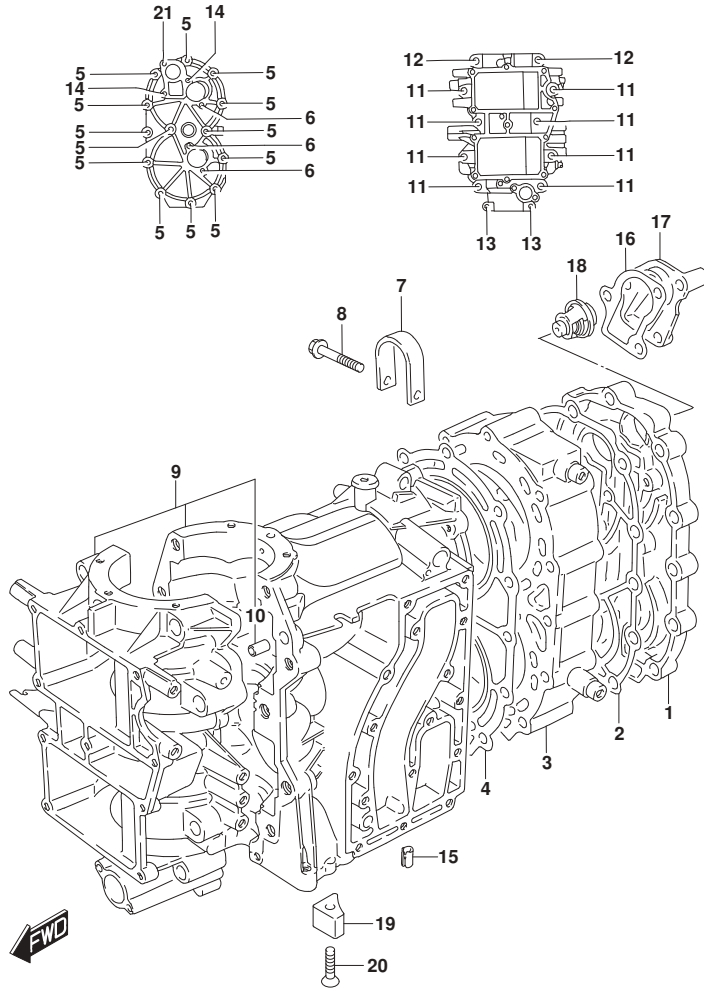


FIG.112C (1-B-8) CYLINDER (DT40WR P40)

REF NO.	PART NO.	DESCRIPTION	Q'TY	REMARKS
1	11161-92L10	COVER, CYLINDER HEAD	1	
2	11162-92L00	GASKET, CYLINDER HEAD COVER	1	
3	11111-92L20	HEAD, CYLINDER	1	
4	11141-94450	GASKET, CYLINDER HEAD	1	
5	01560-08757	BOLT	13	
6	01550-06307	BOLT	3	
7	11291-94402	HOOK, ENGINE	1	
8	01550-08357	BOLT	1	
9	11300-92L30	CYLINDER ASSY	1	
10	04211-09109	.KNOCK PIN	2	
11	01550-10557	.BOLT	8	
12	01560-10657	.BOLT	2	
13	01550-06407	.BOLT	2	
14	01560-06457	BOLT	2	
15	09205-06011	SPRING PIN (6X12)	1	
16	17685-94410	GASKET, THERMOSTAT COVER	1	
17	17681-92L10	COVER, THERMOSTAT	1	
18	17670-93962	THERMOSTAT (50sC)	1	
19	11281-94400	PROTECTION, ANODE	1	
20	09126-06005	SCREW (6X30)	1	
21	01550-06307	BOLT	1	

FIG.112D

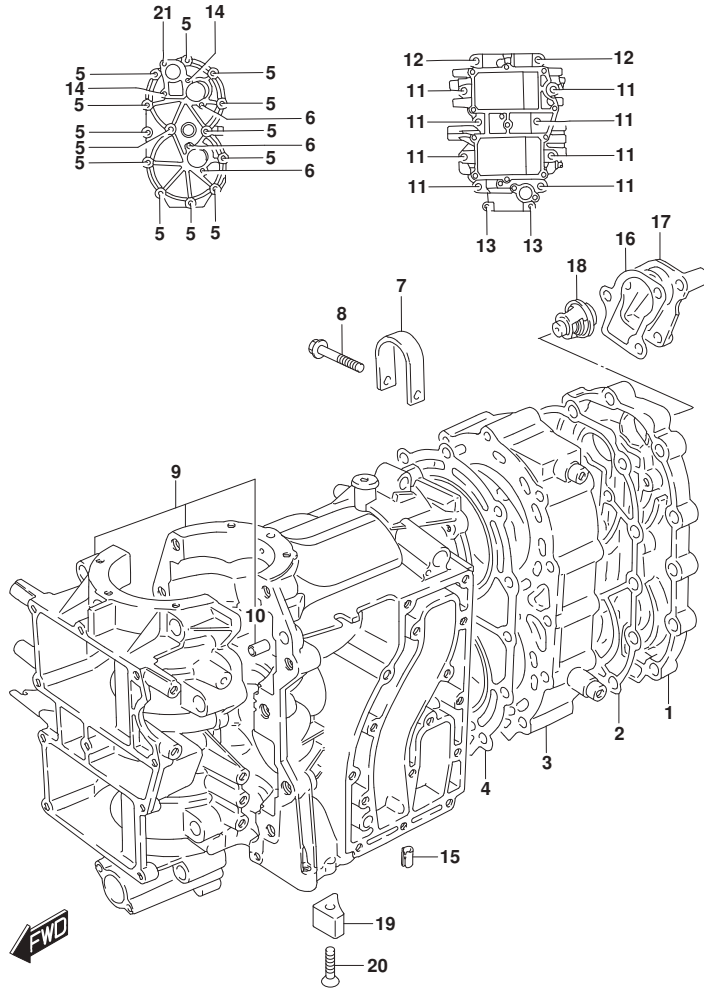


FIG.112D (1-B-9) CYLINDER (DT40WR P90)

REF NO.	PART NO.	DESCRIPTION	Q'TY	REMARKS
1	11161-92L10	COVER, CYLINDER HEAD	1	
2	11162-92L00	GASKET, CYLINDER HEAD COVER	1	
3	11111-92L20	HEAD, CYLINDER	1	
4	11141-94450	GASKET, CYLINDER HEAD	1	
5	01560-08757	BOLT	13	
6	01550-06307	BOLT	3	
7	11291-94402	HOOK, ENGINE	1	
8	01550-08357	BOLT	1	
9	11300-92L30	CYLINDER ASSY	1	
10	04211-09109	.KNOCK PIN	2	
11	01550-10557	.BOLT	8	
12	01560-10657	.BOLT	2	
13	01550-06407	.BOLT	2	
14	01560-06457	BOLT	2	
15	09205-06011	SPRING PIN (6X12)	1	
16	17685-94410	GASKET, THERMOSTAT COVER	1	
17	17681-92L10	COVER, THERMOSTAT	1	
18	17670-93962	THERMOSTAT (50sC)	1	
19	11281-94400	PROTECTION, ANODE	1	
20	09126-06005	SCREW (6X30)	1	
21	01550-06307	BOLT	1	

FIG.112E

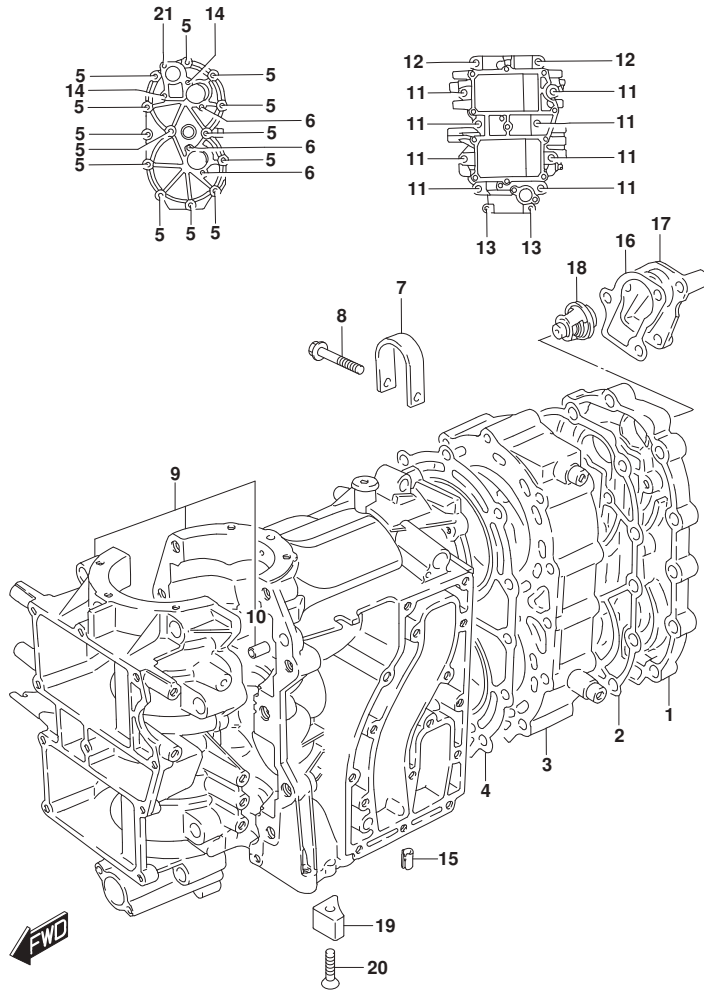


FIG.112E (1-B-10) CYLINDER (DT40WK P40)

REF NO.	PART NO.	DESCRIPTION	Q'TY	REMARKS
1	11161-92L10	COVER, CYLINDER HEAD	1	
2	11162-92L00	GASKET, CYLINDER HEAD COVER	1	
3	11111-92L30	HEAD, CYLINDER	1	
4	11141-94450	GASKET, CYLINDER HEAD	1	
5	01560-08757	BOLT	13	
6	01550-06307	BOLT	3	
7	11291-94402	HOOK, ENGINE	1	
8	01550-08357	BOLT	1	
9	11300-92L30	CYLINDER ASSY	1	
10	04211-09109	.KNOCK PIN	2	
11	01550-10557	.BOLT	8	
12	01560-10657	.BOLT	2	
13	01550-06407	.BOLT	2	
14	01560-06457	BOLT	2	
15	09205-06011	SPRING PIN (6X12)	1	
16	17685-94410	GASKET, THERMOSTAT COVER	1	
17	17681-92L10	COVER, THERMOSTAT	1	
18	17670-94402	THERMOSTAT (60sC)	1	
19	11281-94400	PROTECTION, ANODE	1	
20	09126-06005	SCREW (6X30)	1	
21	01550-06307	BOLT	1	

FIG.116A

FIG.116A (1-B-11) CRANKSHAFT (DT40W P40)

REF NO.	PART NO.	DESCRIPTION	Q'TY	REMARKS
1	12110-94400	PISTON	2	
2	12140-94400	RING SET, PISTON	2	
3	12151-94400	PIN, PISTON	2	
4	09381-20003	CIRCLIP	4	
5	09263-20072	BEARING (20X26X24)	2	
6	09169-20007	WASHER	4	
7	12200-92L30	CRANKSHAFT ASSY	1	
8	12161-94400	.CONNECTING ROD	2	
9	09263-27L01	.BEARING (27X37X22)	2	
10	09160-27008	.WASHER (27X36X1)	4	
11	12211-94410	.PIN, CRANK	2	
12	12221-92L20	.CRANKSHAFT, UPPER	1	
13	12232-92L20	.WHEEL, CRANKSHAFT UNDER	1	
14	12231-92L20	.WHEEL, CRANKSHAFT UPPER	1	
15	12240-92L20	.CRANKSHAFT, UNDER	1	
16	09262-30068	.BEARING (30X72X19)	1	
17	09262-35L09	.BEARING (35X72X17)	1	
18	09264-35L01	.BEARING (35X80X21)	1	
19	09289-45L01	.OIL SEAL (45X72X12)	1	
20	09283-30062	OIL SEAL (30X55X8)	1	
21	09283-35L01	OIL SEAL (35X55X7)	1	
22	09390-72008	C-RING	1	
23	09390-80002	C RING(ID:76.8,OD:86,T:1.9)	1	
24	12100-94400-050	PISTON SET (OS:0.50)	2	OPT
25	12140-94400-050	.RING SET, PISTON (OS:0.50)	2	OPT

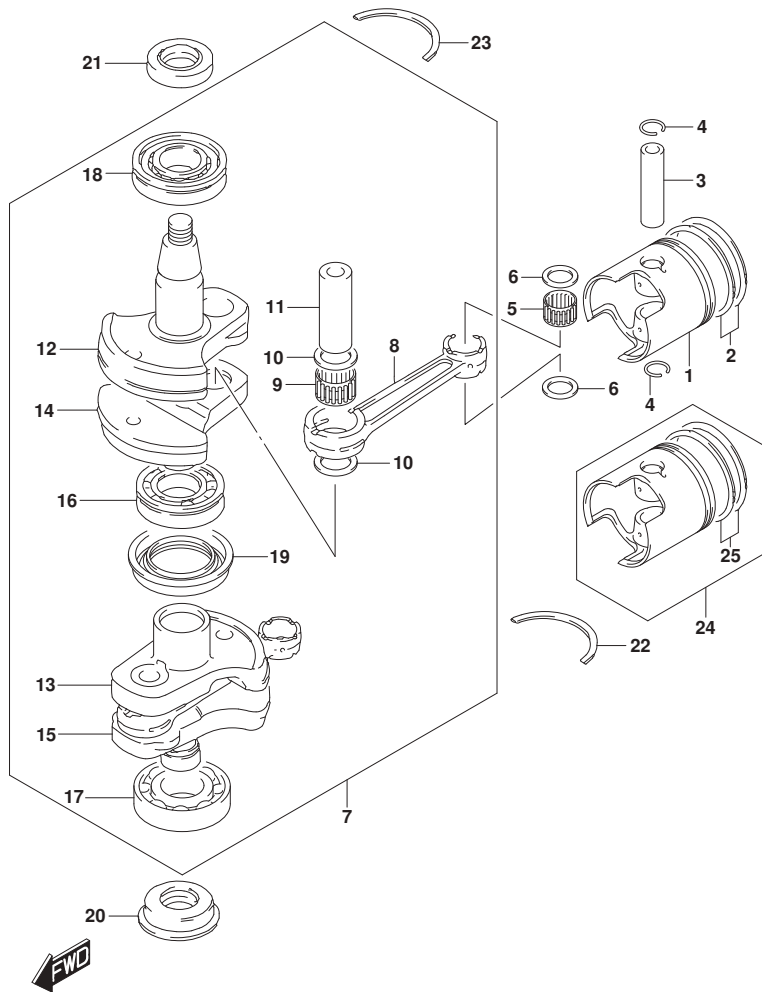


FIG.116B

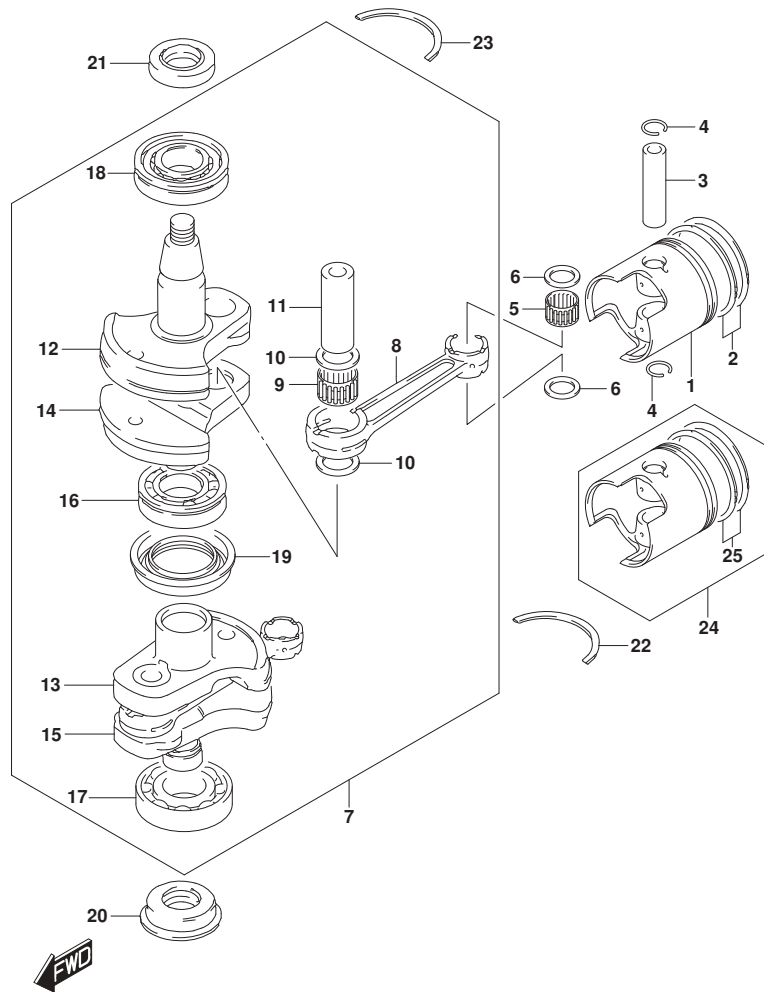
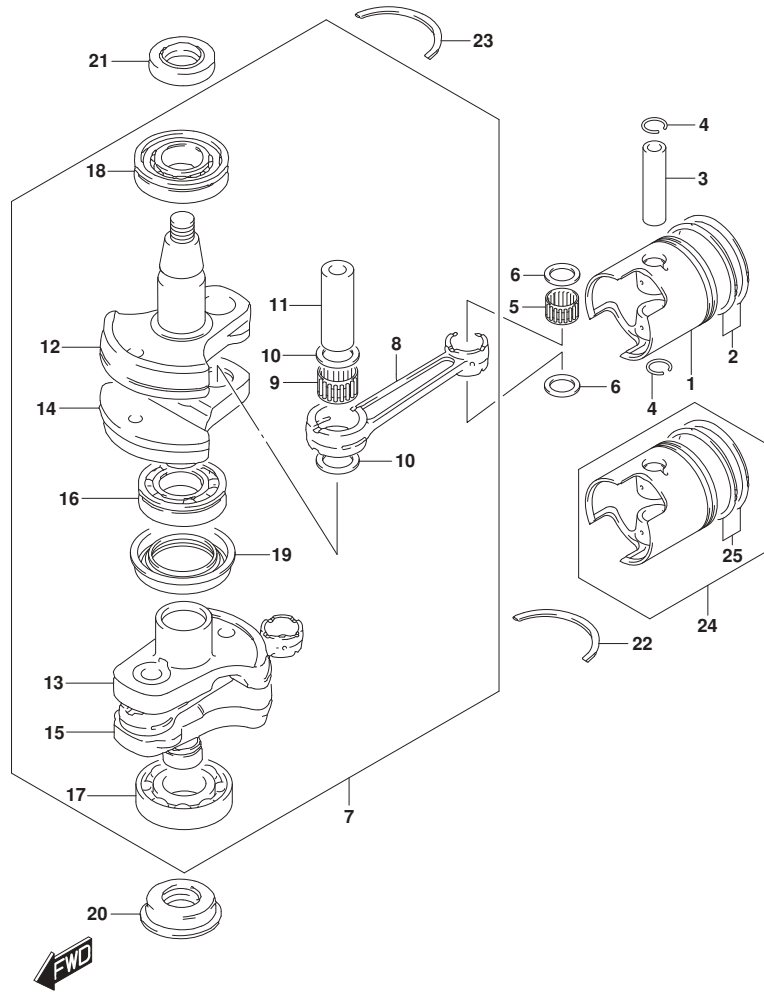


FIG.116B (1-B-12) CRANKSHAFT (DT40W P90)

REF NO.	PART NO.	DESCRIPTION	Q'TY	REMARKS
1	12110-94400	PISTON	2	
2	12140-94400	RING SET, PISTON	2	
3	12151-94400	PIN, PISTON	2	
4	09381-20003	CIRCLIP	4	
5	09263-20072	BEARING (20X26X24)	2	
6	09169-20007	WASHER	4	
7	12200-92L30	CRANKSHAFT ASSY	1	
8	12161-94400	.CONNECTING ROD	2	
9	09263-27L01	.BEARING (27X37X22)	2	
10	09160-27008	.WASHER (27X36X1)	4	
11	12211-94410	.PIN, CRANK	2	
12	12221-92L20	.CRANKSHAFT, UPPER	1	
13	12232-92L20	.WHEEL, CRANKSHAFT UNDER	1	
14	12231-92L20	.WHEEL, CRANKSHAFT UPPER	1	
15	12240-92L20	.CRANKSHAFT, UNDER	1	
16	09262-30068	.BEARING (30X72X19)	1	
17	09262-35L09	.BEARING (35X72X17)	1	
18	09264-35L01	.BEARING (35X80X21)	1	
19	09289-45L01	.OIL SEAL (45X72X12)	1	
20	09283-30062	OIL SEAL (30X55X8)	1	
21	09283-35L01	OIL SEAL (35X55X7)	1	
22	09390-72008	C-RING	1	
23	09390-80002	C RING(ID:76.8,OD:86,T:1.9)	1	
24	12100-94400-050	PISTON SET (OS:0.50)	2	OPT
25	12140-94400-050	.RING SET, PISTON (OS:0.50)	2	OPT

FIG.116C



DT40W_P40_016_116C
CRANKSHAFT

FIG.116C (1-B-13) CRANKSHAFT (DT40WR P40)

REF NO.	PART NO.	DESCRIPTION	Q'TY	REMARKS
1	12110-94400	PISTON	2	
2	12140-94400	RING SET, PISTON	2	
3	12151-94400	PIN, PISTON	2	
4	09381-20003	CIRCLIP	4	
5	09263-20072	BEARING (20X26X24)	2	
6	09169-20007	WASHER	4	
7	12200-92L30	CRANKSHAFT ASSY	1	
8	12161-94400	.CONNECTING ROD	2	
9	09263-27L01	.BEARING (27X37X22)	2	
10	09160-27008	.WASHER (27X36X1)	4	
11	12211-94410	.PIN, CRANK	2	
12	12221-92L20	.CRANKSHAFT, UPPER	1	
13	12232-92L20	.WHEEL, CRANKSHAFT UNDER	1	
14	12231-92L20	.WHEEL, CRANKSHAFT UPPER	1	
15	12240-92L20	.CRANKSHAFT, UNDER	1	
16	09262-30068	.BEARING (30X72X19)	1	
17	09262-35L09	.BEARING (35X72X17)	1	
18	09264-35L01	.BEARING (35X80X21)	1	
19	09289-45L01	.OIL SEAL (45X72X12)	1	
20	09283-30062	OIL SEAL (30X55X8)	1	
21	09283-35L01	OIL SEAL (35X55X7)	1	
22	09390-72008	C-RING	1	
23	09390-80002	C RING(ID:76.8,OD:86,T:1.9)	1	
24	12100-94400-050	PISTON SET (OS:0.50)	2	OPT
25	12140-94400-050	.RING SET, PISTON (OS:0.50)	2	OPT

DT40W_P40_016

FIG.116D

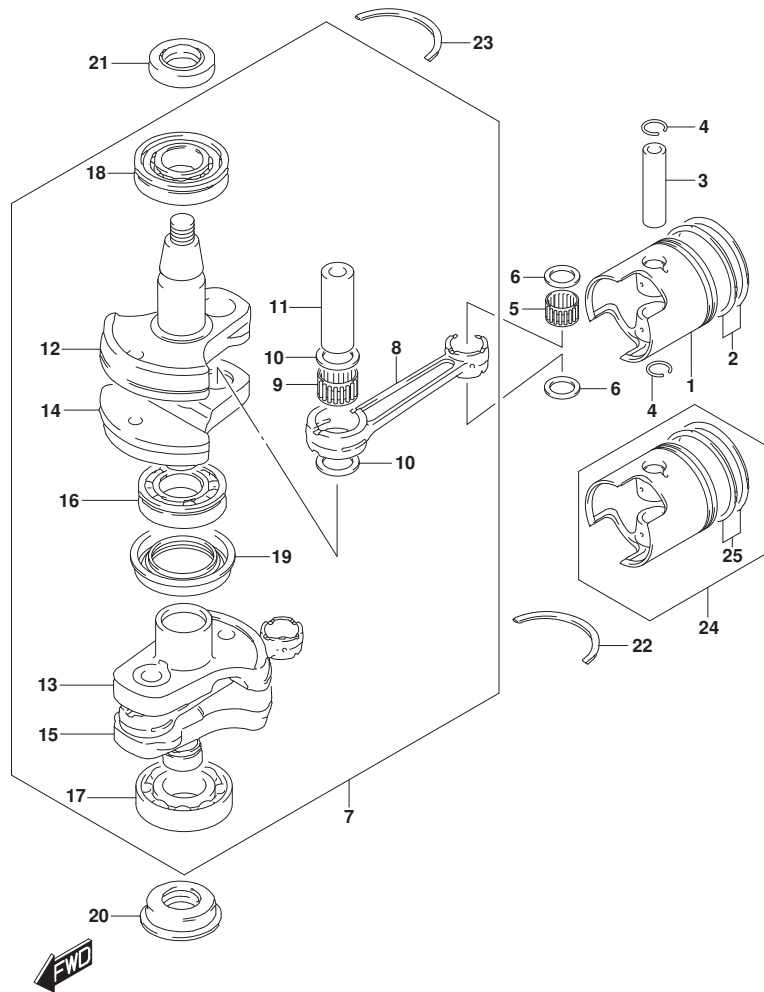


FIG.116D (1-B-14) CRANKSHAFT (DT40WR P90)

REF NO.	PART NO.	DESCRIPTION	Q'TY	REMARKS
1	12110-94400	PISTON	2	
2	12140-94400	RING SET, PISTON	2	
3	12151-94400	PIN, PISTON	2	
4	09381-20003	CIRCLIP	4	
5	09263-20072	BEARING (20X26X24)	2	
6	09169-20007	WASHER	4	
7	12200-92L30	CRANKSHAFT ASSY	1	
8	12161-94400	.CONNECTING ROD	2	
9	09263-27L01	.BEARING (27X37X22)	2	
10	09160-27008	.WASHER (27X36X1)	4	
11	12211-94410	.PIN, CRANK	2	
12	12221-92L20	.CRANKSHAFT, UPPER	1	
13	12232-92L20	.WHEEL, CRANKSHAFT UNDER	1	
14	12231-92L20	.WHEEL, CRANKSHAFT UPPER	1	
15	12240-92L20	.CRANKSHAFT, UNDER	1	
16	09262-30068	.BEARING (30X72X19)	1	
17	09262-35L09	.BEARING (35X72X17)	1	
18	09264-35L01	.BEARING (35X80X21)	1	
19	09289-45L01	.OIL SEAL (45X72X12)	1	
20	09283-30062	OIL SEAL (30X55X8)	1	
21	09283-35L01	OIL SEAL (35X55X7)	1	
22	09390-72008	C-RING	1	
23	09390-80002	C RING(ID:76.8,OD:86,T:1.9)	1	
24	12100-94400-050	PISTON SET (OS:0.50)	2	OPT
25	12140-94400-050	.RING SET, PISTON (OS:0.50)	2	OPT

FIG.116E

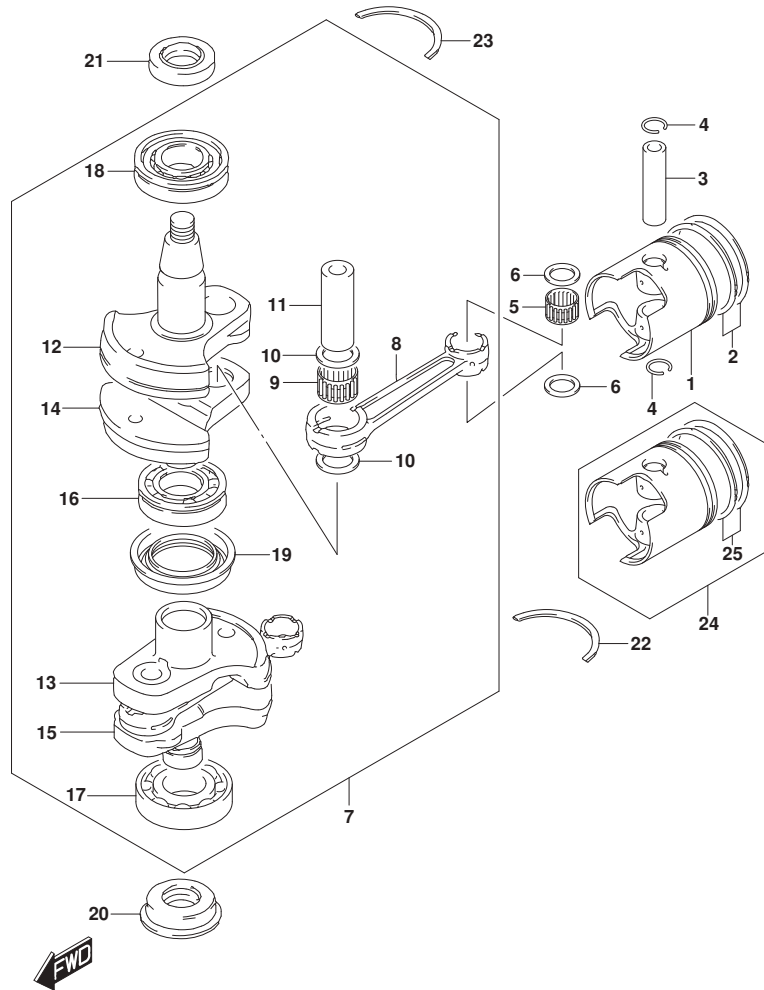


FIG.116E (1-B-15) CRANKSHAFT (DT40WK P40)

REF NO.	PART NO.	DESCRIPTION	Q'TY	REMARKS
1	12110-92L20-0B0	PISTON	2	
2	12140-94410	RING SET, PISTON	2	
3	12151-94400	PIN, PISTON	2	
4	09381-20003	CIRCLIP	4	
5	09263-20072	BEARING (20X26X24)	2	
6	09169-20007	WASHER	4	
7	12200-92L30	CRANKSHAFT ASSY	1	
8	12161-94400	.CONNECTING ROD	2	
9	09263-27008	.BEARING (27X37X22)	2	
10	09160-27008	.WASHER (27X36X1)	4	
11	12211-94410	.PIN, CRANK	2	
12	12221-92L20	.CRANKSHAFT, UPPER	1	
13	12232-92L20	.WHEEL, CRANKSHAFT UNDER	1	
14	12231-92L20	.WHEEL, CRANKSHAFT UPPER	1	
15	12240-92L20	.CRANKSHAFT, UNDER	1	
16	09262-30068	.BEARING (30X72X19)	1	
17	09262-35L09	.BEARING (35X72X17)	1	
18	09264-35L01	.BEARING (35X80X21)	1	
19	09289-45L01	.OIL SEAL (45X72X12)	1	
20	09283-30062	OIL SEAL (30X55X8)	1	
21	09283-35L01	OIL SEAL (35X55X7)	1	
22	09390-72008	C-RING	1	
23	09390-80002	C RING(ID:76.8,OD:86,T:1.9)	1	
24	12100-94400-050	PISTON SET (OS:0.50)	2	OPT
25	12140-94400-050	.RING SET, PISTON (OS:0.50)	2	OPT

FIG.125A

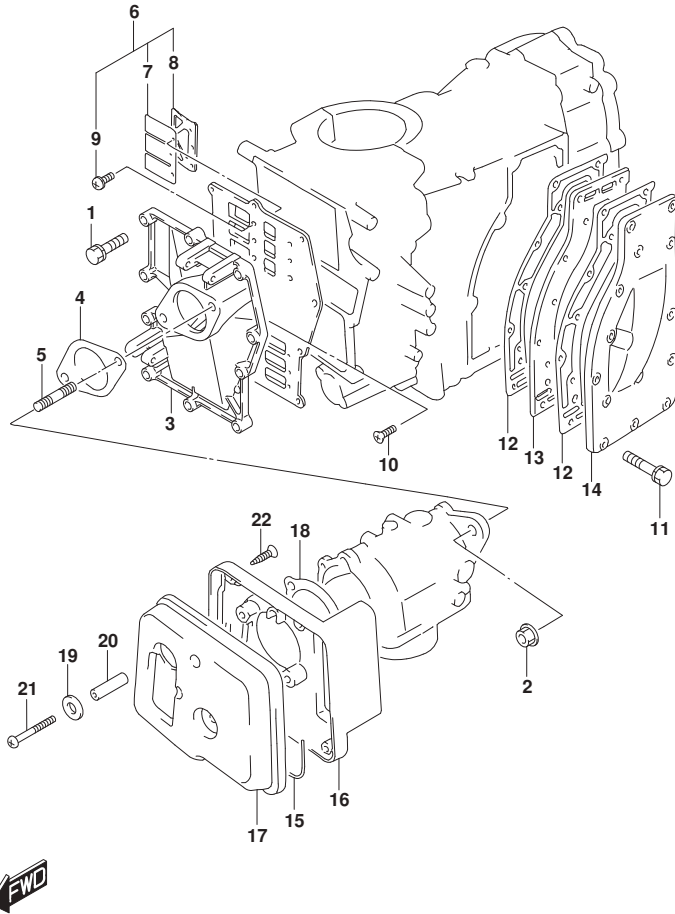


FIG.125A (1-C-2) INLET CASE (DT40W P40)

REF NO.	PART NO.	DESCRIPTION	Q'TY	REMARKS
1	01550-06307	BOLT	10	
2	08316-10087	NUT	2	
3	13111-92L00	CASE, INLET	1	
4	13125-95210	GASKET, CARBURETOR	1	
5	01411-0820A	STUD BOLT	2	
6	13150-92L00	VALVE ASSY, REED	1	
7	13153-92L00	.VALVE, REED	4	
8	13152-92L00	.STOPPER, REED VALVE	4	
9	02112-3306A	.SCREW	12	
10	02122-06167	SCREW	1	
11	01550-06307	BOLT	16	
12	14151-92L00	GASKET, EXHAUST COVER	2	
13	14131-92L10	PLATE, EXHAUST	1	
14	14141-92L10	COVER, EXHAUST	1	
15	09280-63001	O RING (D:1.9,ID:63.1)	1	
16	13811-92L00	CASE, SILENCER	1	
17	13812-92L00	COVER, SILENCER	1	
18	13855-95210	GASKET, SILENCER	1	
19	09160-06066	WASHER (6.5X20X1.6)	2	
20	09180-06254	SPACER (6.1X8X34)	2	
21	09125-06089	SCREW (6X45)	2	
22	03222-0520B	SCREW	5	

FIG.125B

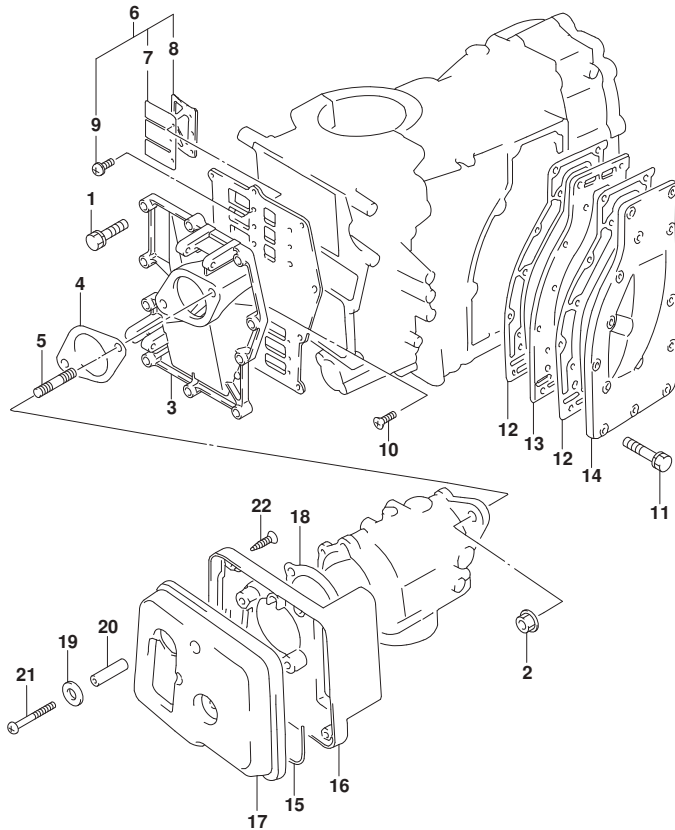


FIG.125B (1-C-3) INLET CASE (DT40W P90)

REF NO.	PART NO.	DESCRIPTION	Q'TY	REMARKS
1	01550-06307	BOLT	10	
2	08316-10087	NUT	2	
3	13111-92L00	CASE, INLET	1	
4	13125-95210	GASKET, CARBURETOR	1	
5	01411-0820A	STUD BOLT	2	
6	13150-92L00	VALVE ASSY, REED	1	
7	13153-92L00	.VALVE, REED	4	
8	13152-92L00	.STOPPER, REED VALVE	4	
9	02112-3306A	.SCREW	12	
10	02122-06167	SCREW	1	
11	01550-06307	BOLT	16	
12	14151-92L00	GASKET, EXHAUST COVER	2	
13	14131-92L10	PLATE, EXHAUST	1	
14	14141-92L10	COVER, EXHAUST	1	
15	09280-63001	O RING (D:1.9,ID:63.1)	1	
16	13811-92L00	CASE, SILENCER	1	
17	13812-92L00	COVER, SILENCER	1	
18	13855-95210	GASKET, SILENCER	1	
19	09160-06066	WASHER (6.5X20X1.6)	2	
20	09180-06254	SPACER (6.1X8X34)	2	
21	09125-06089	SCREW (6X45)	2	
22	03222-0520B	SCREW	5	

FIG.125C

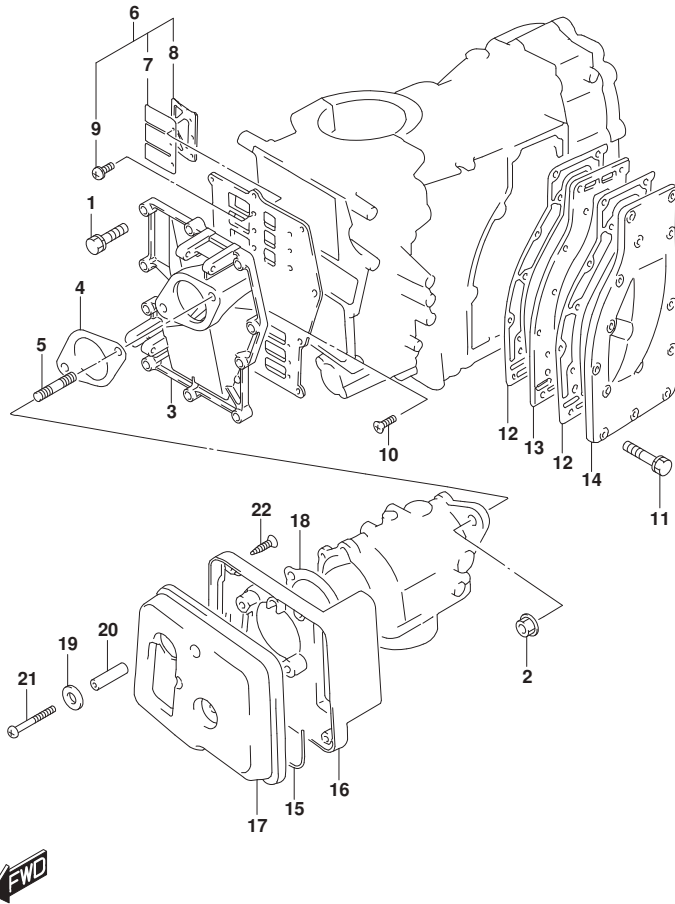


FIG.125C (1-C-4) INLET CASE (DT40WR P40)

REF NO.	PART NO.	DESCRIPTION	Q'TY	REMARKS
1	01550-06307	BOLT	10	
2	08316-10087	NUT	2	
3	13111-92L00	CASE, INLET	1	
4	13125-95210	GASKET, CARBURETOR	1	
5	01411-0820A	STUD BOLT	2	
6	13150-92L00	VALVE ASSY, REED	1	
7	13153-92L00	.VALVE, REED	4	
8	13152-92L00	.STOPPER, REED VALVE	4	
9	02112-3306A	.SCREW	12	
10	02122-06167	SCREW	1	
11	01550-06307	BOLT	16	
12	14151-92L00	GASKET, EXHAUST COVER	2	
13	14131-92L10	PLATE, EXHAUST	1	
14	14141-92L10	COVER, EXHAUST	1	
15	09280-63001	O RING (D:1.9,ID:63.1)	1	
16	13811-92L00	CASE, SILENCER	1	
17	13812-92L00	COVER, SILENCER	1	
18	13855-95210	GASKET, SILENCER	1	
19	09160-06066	WASHER (6.5X20X1.6)	2	
20	09180-06254	SPACER (6.1X8X34)	2	
21	09125-06089	SCREW (6X45)	2	
22	03222-0520B	SCREW	5	

FIG.125D

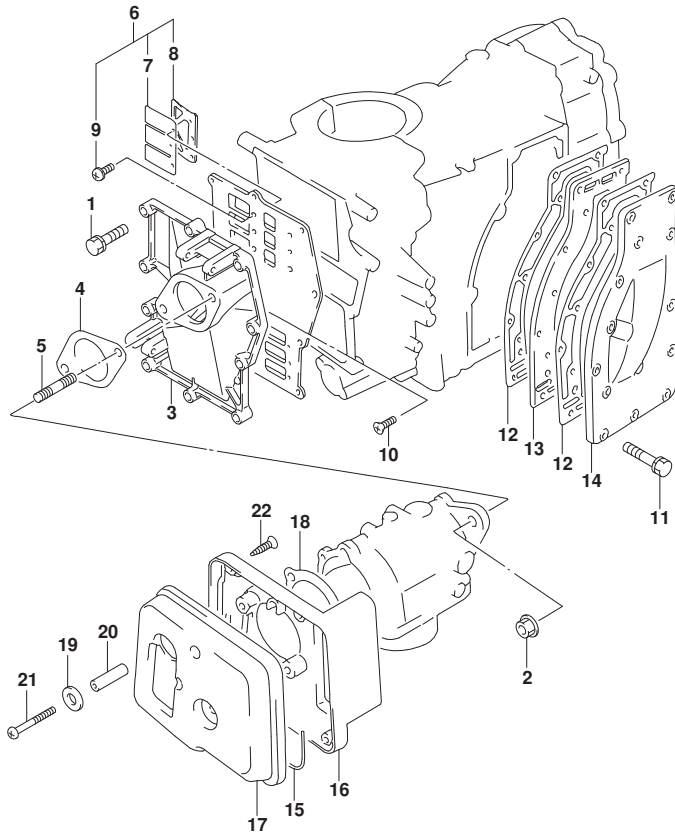


FIG.125D (1-C-5) INLET CASE (DT40WR P90)

REF NO.	PART NO.	DESCRIPTION	Q'TY	REMARKS
1	01550-06307	BOLT	10	
2	08316-10087	NUT	2	
3	13111-92L00	CASE, INLET	1	
4	13125-95210	GASKET, CARBURETOR	1	
5	01411-0820A	STUD BOLT	2	
6	13150-92L00	VALVE ASSY, REED	1	
7	13153-92L00	.VALVE, REED	4	
8	13152-92L00	.STOPPER, REED VALVE	4	
9	02112-3306A	.SCREW	12	
10	02122-06167	SCREW	1	
11	01550-06307	BOLT	16	
12	14151-92L00	GASKET, EXHAUST COVER	2	
13	14131-92L10	PLATE, EXHAUST	1	
14	14141-92L10	COVER, EXHAUST	1	
15	09280-63001	O RING (D:1.9,ID:63.1)	1	
16	13811-92L00	CASE, SILENCER	1	
17	13812-92L00	COVER, SILENCER	1	
18	13855-95210	GASKET, SILENCER	1	
19	09160-06066	WASHER (6.5X20X1.6)	2	
20	09180-06254	SPACER (6.1X8X34)	2	
21	09125-06089	SCREW (6X45)	2	
22	03222-0520B	SCREW	5	

FIG.125E

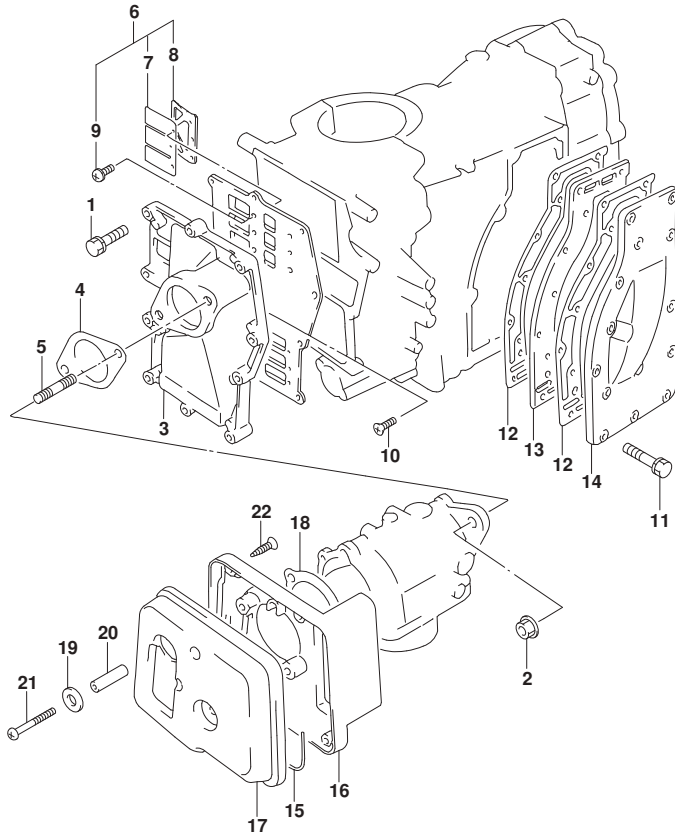


FIG.125E (1-C-6) INLET CASE (DT40WK P40)

REF NO.	PART NO.	DESCRIPTION	Q'TY	REMARKS
1	01550-06307	BOLT	10	
2	08316-10087	NUT	2	
3	13111-94450-0EP	CASE, INLET (BLACK)	1	
4	13125-95210	GASKET, CARBURETOR	1	
5	01411-0820A	STUD BOLT	1	
6	13150-92L00	VALVE ASSY, REED	1	
7	13153-92L00	.VALVE, REED	4	
8	13152-92L00	.STOPPER, REED VALVE	4	
9	02112-3306A	.SCREW	12	
10	02122-06167	SCREW	1	
11	01550-06307	BOLT	16	
12	14151-92L00	GASKET, EXHAUST COVER	2	
13	14131-92L10	PLATE, EXHAUST	1	
14	14141-92L10	COVER, EXHAUST	1	
15	09280-63001	O RING (D:1.9,ID:63.1)	1	
16	13811-92L00	CASE, SILENCER	1	
17	13812-92L00	COVER, SILENCER	1	
18	13855-95210	GASKET, SILENCER	1	
19	09160-06066	WASHER (6.5X20X1.6)	2	
20	09180-06254	SPACER (6.1X8X34)	2	
21	09125-06089	SCREW (6X45)	2	
22	03222-0520B	SCREW	5	

FIG.128A

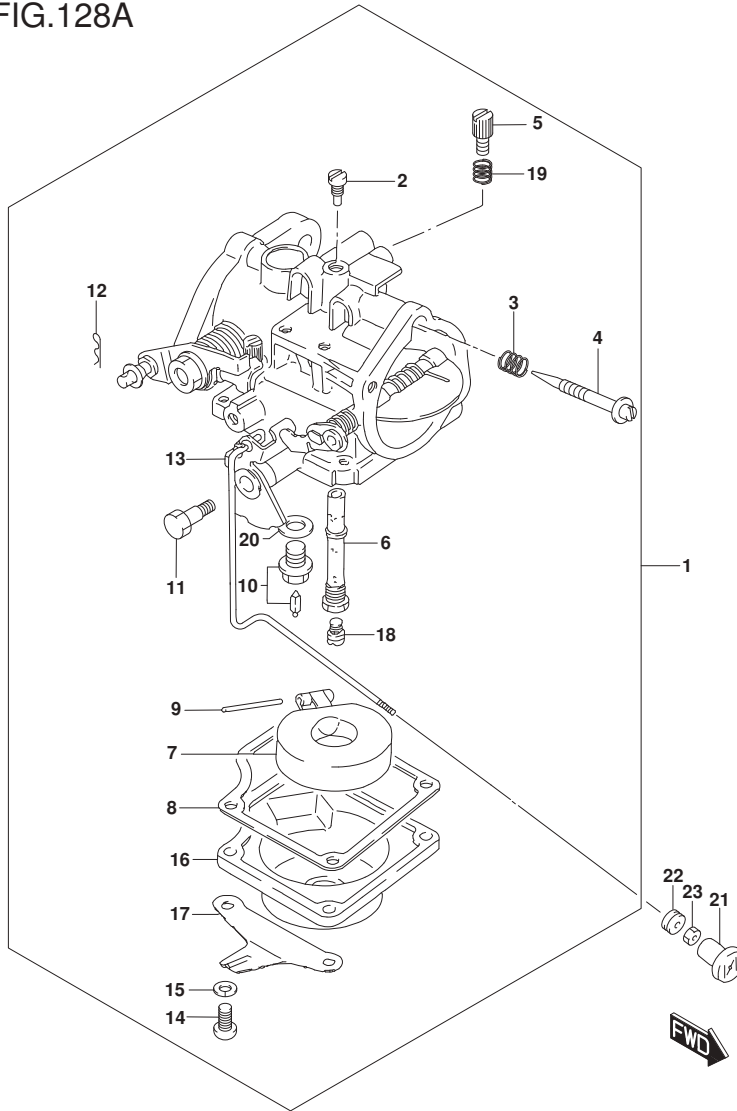


FIG.128A (1-C-7) CARBURETOR (DT40W P40)

REF NO.	PART NO.	DESCRIPTION	Q'TY	REMARKS
1	13200-944J0	CARBURETOR ASSY	1	
2	09492-67004	.JET, PILOT (67.5)	1	
3	13271-93311	.SPRING, AIR SCREW	1	
4	13269-95210	.SCREW, PILOT AIR	1	
5	13267-93900	.SCREW	1	
6	13235-94400	.NOZZLE	1	
7	13250-93012	.FLOAT	1	
8	13251-95220	.GASKET, FLOAT CHAMBER	1	
9	13254-98300	.PIN, FLOAT	1	
10	13370-97E20	.VALVE ASSY, NEEDLE	1	
11	13613-94300	.BOLT	1	
12	13464-96350	.PIN	1	
13	13580-94400	.LEVER ASSY	1	
14	02112-05167	.SCREW	4	
15	08321-0105A	.LOCK WASHER	4	
16	13245-94400	.CHAMBER, FLOAT	1	
17	13426-95211	.PLATE, SPRING	1	
18	09491-38007	.JET, MAIN (190)	1	
19	13268-96111	.SPRING	1	
20	13392-58600	.GASKET, VALVE SEAT	1	
21	13631-93501	KNOB, STARTER	1	
22	09320-04009	BUSH	1	
23	09140-04007	NUT	1	
24	13910-94400	REPAIR KIT, CARBURETOR	1	OPT NOT ILLUSTRATED

FIG.128B

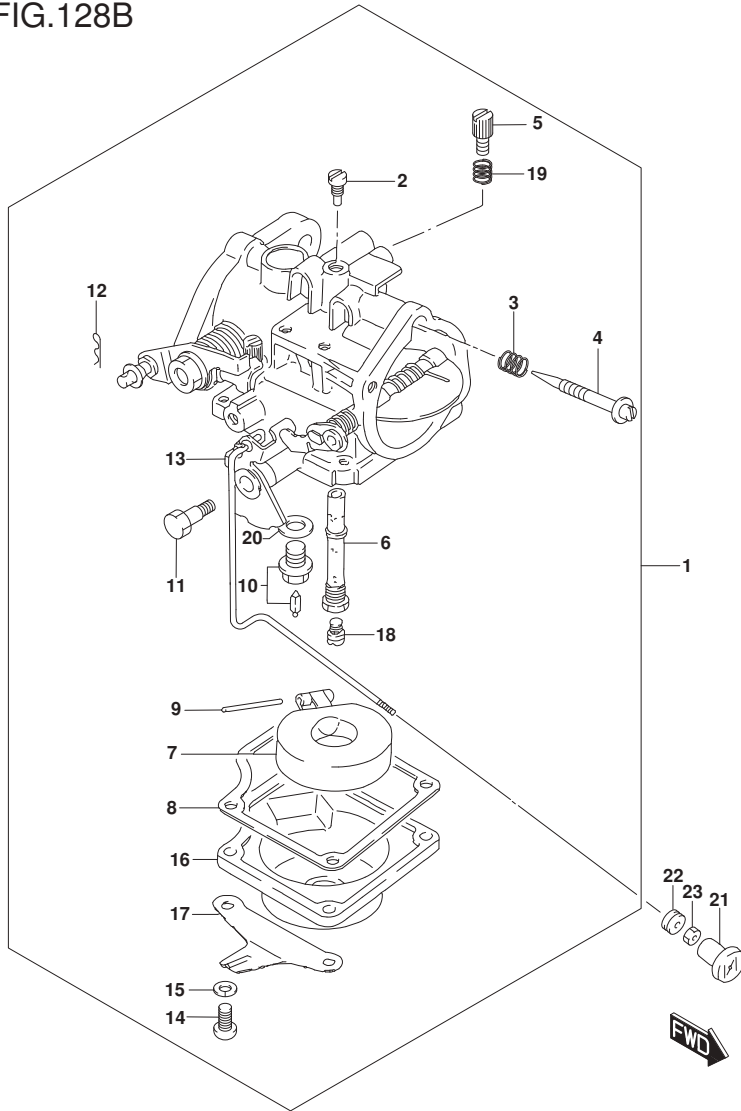


FIG.128B (1-C-8) CARBURETOR (DT40W P90)

REF NO.	PART NO.	DESCRIPTION	Q'TY	REMARKS
1	13200-944J0	CARBURETOR ASSY	1	
2	09492-67004	.JET, PILOT (67.5)	1	
3	13271-93311	.SPRING, AIR SCREW	1	
4	13269-95210	.SCREW, PILOT AIR	1	
5	13267-93900	.SCREW	1	
6	13235-94400	.NOZZLE	1	
7	13250-93012	.FLOAT	1	
8	13251-95220	.GASKET, FLOAT CHAMBER	1	
9	13254-98300	.PIN, FLOAT	1	
10	13370-97E20	.VALVE ASSY, NEEDLE	1	
11	13613-94300	.BOLT	1	
12	13464-96350	.PIN	1	
13	13580-94400	.LEVER ASSY	1	
14	02112-05167	.SCREW	4	
15	08321-0105A	.LOCK WASHER	4	
16	13245-94400	.CHAMBER, FLOAT	1	
17	13426-95211	.PLATE, SPRING	1	
18	09491-38007	.JET, MAIN (190)	1	
19	13268-96111	.SPRING	1	
20	13392-58600	.GASKET, VALVE SEAT	1	
21	13631-93501	KNOB, STARTER	1	
22	09320-04009	BUSH	1	
23	09140-04007	NUT	1	
24	13910-94400	REPAIR KIT, CARBURETOR	1	OPT NOT ILLUSTRATED

FIG.128C

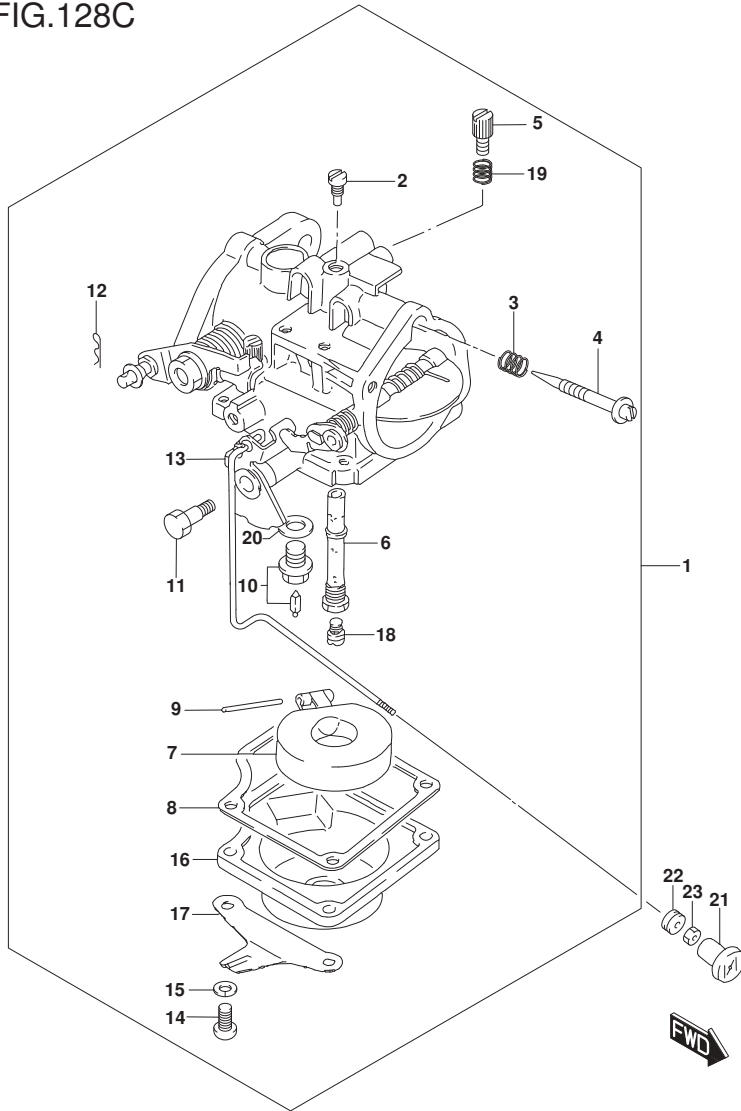


FIG.128C (1-C-9) CARBURETOR (DT40WR P40)

REF NO.	PART NO.	DESCRIPTION	Q'TY	REMARKS
1	13200-944J0	CARBURETOR ASSY	1	
2	09492-67004	.JET, PILOT (67.5)	1	
3	13271-93311	.SPRING, AIR SCREW	1	
4	13269-95210	.SCREW, PILOT AIR	1	
5	13267-93900	.SCREW	1	
6	13235-94400	.NOZZLE	1	
7	13250-93012	.FLOAT	1	
8	13251-95220	.GASKET, FLOAT CHAMBER	1	
9	13254-98300	.PIN, FLOAT	1	
10	13370-97E20	.VALVE ASSY, NEEDLE	1	
11	13613-94300	.BOLT	1	
12	13464-96350	.PIN	1	
13	13580-94400	.LEVER ASSY	1	
14	02112-05167	.SCREW	4	
15	08321-0105A	.LOCK WASHER	4	
16	13245-94400	.CHAMBER, FLOAT	1	
17	13426-95211	.PLATE, SPRING	1	
18	09491-38007	.JET, MAIN (190)	1	
19	13268-96111	.SPRING	1	
20	13392-58600	.GASKET, VALVE SEAT	1	
21	13631-93501	KNOB, STARTER	1	
22	09320-04009	BUSH	1	
23	09140-04007	NUT	1	
24	13910-94400	REPAIR KIT, CARBURETOR	1	OPT NOT ILLUSTRATED

FIG.128D

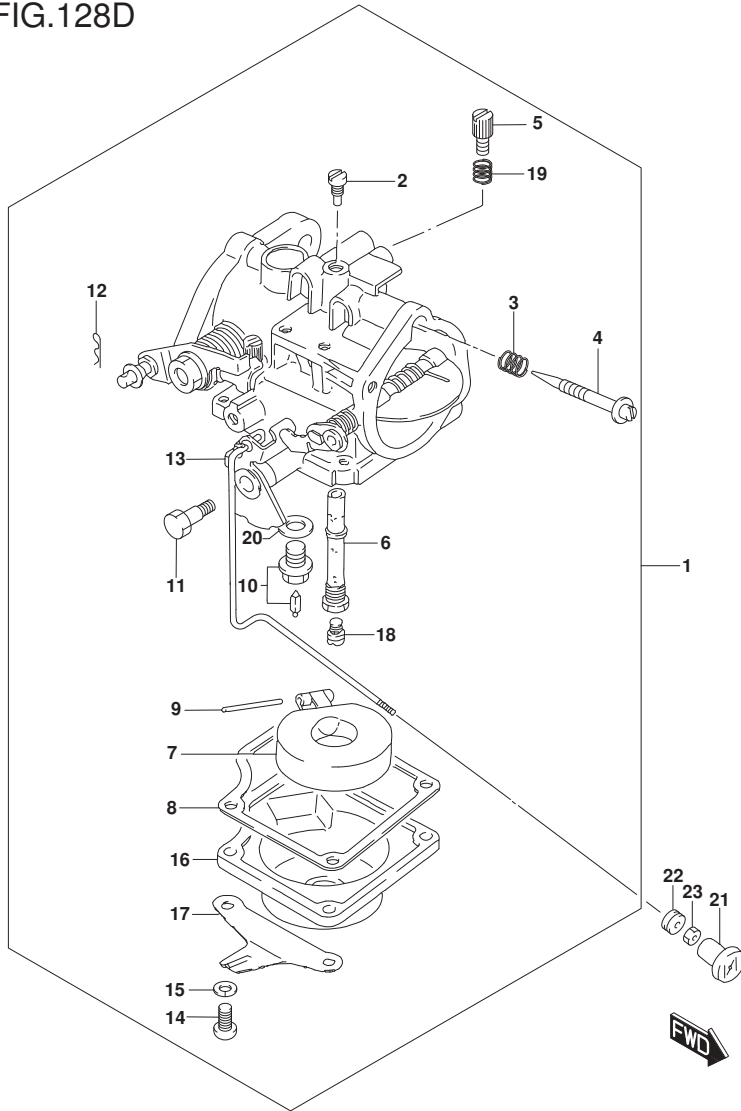


FIG.128D (1-C-10) CARBURETOR (DT40WR P90)

REF NO.	PART NO.	DESCRIPTION	Q'TY	REMARKS
1	13200-944J0	CARBURETOR ASSY	1	
2	09492-67004	.JET, PILOT (67.5)	1	
3	13271-93311	.SPRING, AIR SCREW	1	
4	13269-95210	.SCREW, PILOT AIR	1	
5	13267-93900	.SCREW	1	
6	13235-94400	.NOZZLE	1	
7	13250-93012	.FLOAT	1	
8	13251-95220	.GASKET, FLOAT CHAMBER	1	
9	13254-98300	.PIN, FLOAT	1	
10	13370-97E20	.VALVE ASSY, NEEDLE	1	
11	13613-94300	.BOLT	1	
12	13464-96350	.PIN	1	
13	13580-94400	.LEVER ASSY	1	
14	02112-05167	.SCREW	4	
15	08321-0105A	.LOCK WASHER	4	
16	13245-94400	.CHAMBER, FLOAT	1	
17	13426-95211	.PLATE, SPRING	1	
18	09491-38007	.JET, MAIN (190)	1	
19	13268-96111	.SPRING	1	
20	13392-58600	.GASKET, VALVE SEAT	1	
21	13631-93501	KNOB, STARTER	1	
22	09320-04009	BUSH	1	
23	09140-04007	NUT	1	
24	13910-94400	REPAIR KIT, CARBURETOR	1	OPT NOT ILLUSTRATED

FIG.128E

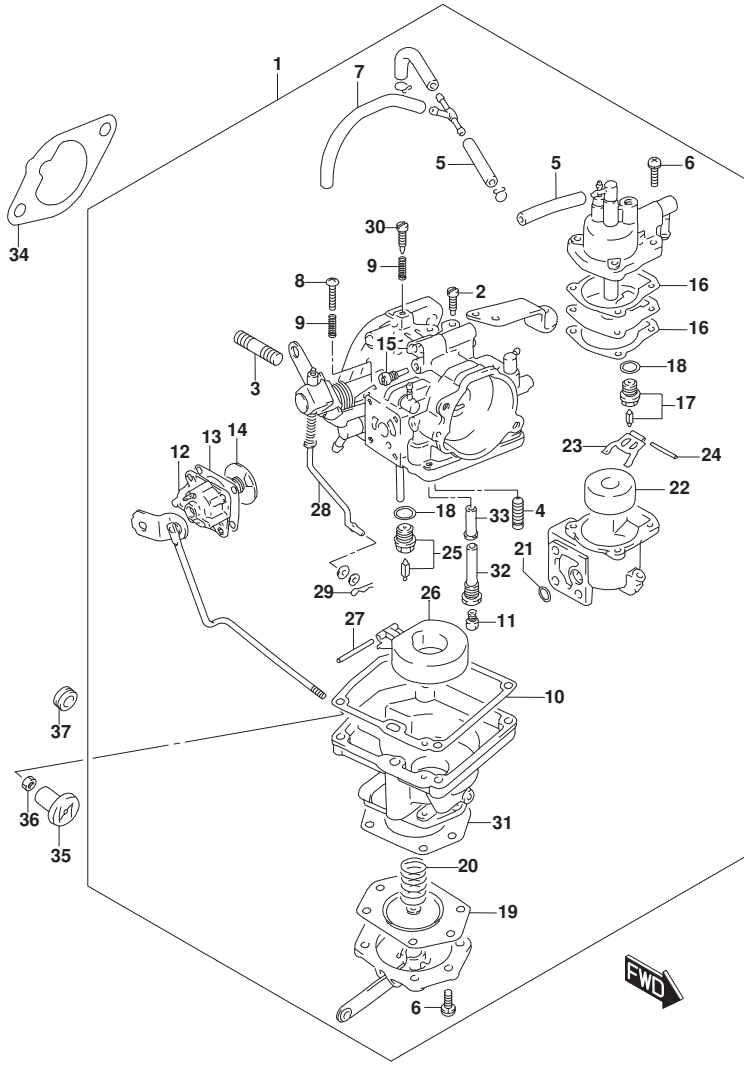


FIG.128E (1-C-11) CARBURETOR (DT40WK P40)

REF NO.	PART NO.	DESCRIPTION	Q'TY	REMARKS
1	13200-944D0	CARBURETOR	1	
2	09492-65002	.JET,PILOT (65)	1	FOR GASOLINE
3	01411-0820A	.STUD BOLT	1	
4	13443-94350	.VALVE	1	
5	13651-95300	.HOSE	2	
6	13249-93900	.SCREW	10	
7	13651-95300	.HOSE	1	
8	13534-96300	.SCREW	1	
9	13268-96111	.SPRING	2	
10	13245-94350	.GASKET, FLOAT CHAMBER	1	FOR KEROSENE
11	09491-38008	.JET, MAIN (195)	1	
12	13419-94400	.COVER, VALVE	1	
13	13418-94360	.GASKET	1	
14	13415-94350	.DISC, STARTER	1	
15	09492-75001	.JET, PILOT (75)	1	FOR KEROSENE
16	13265-94360	.GASKET	2	FOR GASOLINE
17	13370-94350	.NEEDLE VALVE ASSY	1	FOR GASOLINE
18	13392-58600	.PACKING	2	
19	13450-94350	.DIAPHRAGM ASSY	1	
20	13441-94350	.SPRING	1	
21	13521-78100	.O RING	1	
22	13270-94350	.FLOAT	1	FOR GASOLINE
23	13282-94350	.ARM	1	
24	13254-98410	.PIN	1	FOR GASOLINE
25	13370-27310	.NEEDLE VALVE ASSY	1	FOR KEROSENE
26	13250-93012	.FLOAT ASSY	1	FOR KEROSENE
27	13254-98300	.PIN	1	FOR KEROSENE
28	13462-94351	.ROD	1	
29	13464-96350	.SPRING PIN	1	
30	13269-98100	.SCREW, PILOT	1	
31	13446-94360	.GASKET	1	
32	13236-94460	.NOZZLE, MAIN	1	
33	13237-94460	.NOZZLE	1	

FIG.128E

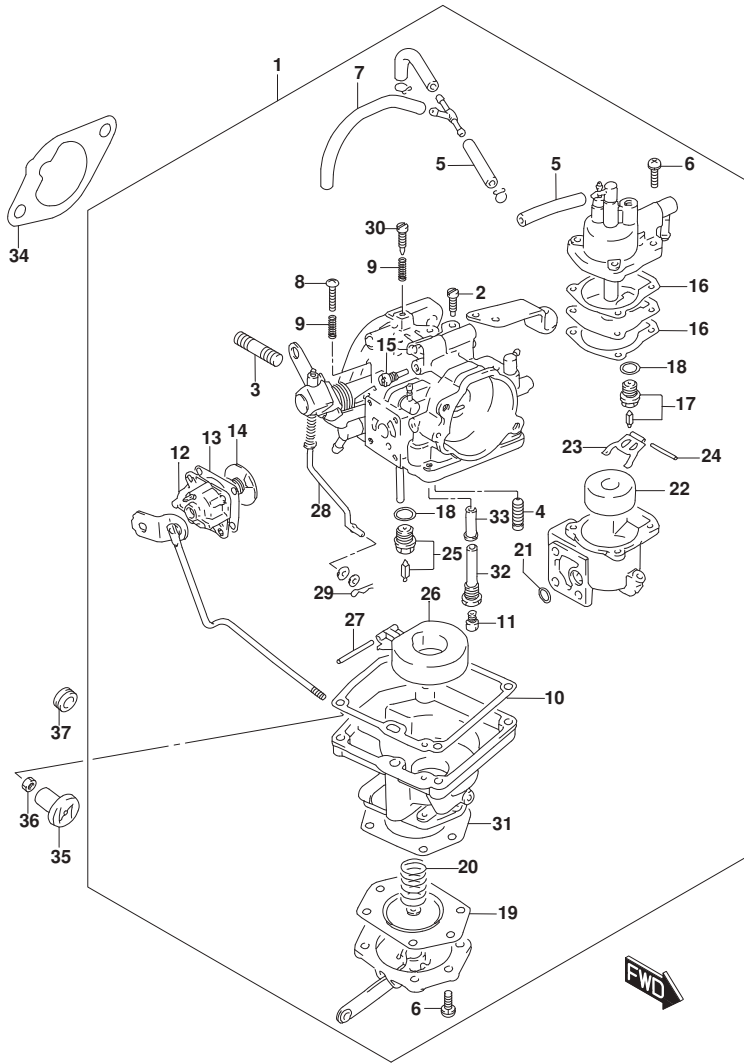


FIG.128E (1-C-12) CARBURETOR (DT40WK P40)

REF NO.	PART NO.	DESCRIPTION	Q'TY	REMARKS
34	13126-94450	PLATE, AIR FLOW CONTROL	1	
35	13631-93501	KNOB, STARTER	1	
36	09140-04007	NUT	1	
37	09320-04009	BUSH	1	
38	13910-94400	REPAIR KIT, CARBURETOR	1	OPT NOT ILLUSTRATED

FIG.130A

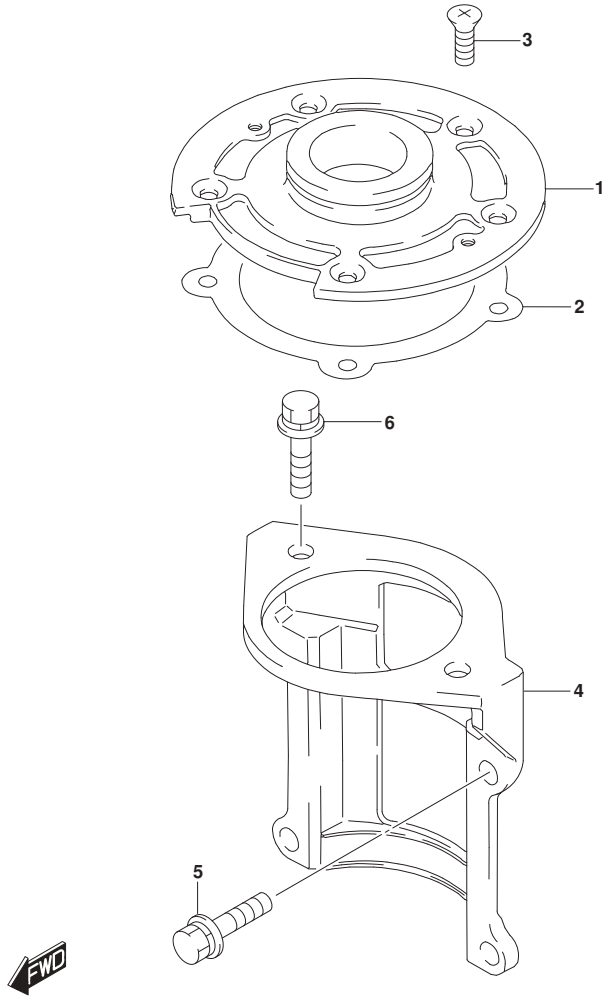


FIG.130A (1-C-13) OIL SEAL HOUSING (DT40W P40)

REF NO.	PART NO.	DESCRIPTION	Q'TY	REMARKS
1	11411-92L10	HOUSING, UPPER OIL SEAL	1	
2	11413-94411	GASKET, UPPER OIL SEAL	1	
3	09126-06022	SCREW (6X16)	5	
4	31911-92L00	BRACKET, STARTING MOTOR	1	W/ELECTRIC STARTER
5	01550-08257	BOLT	4	W/ELECTRIC STARTER
6	01580-08257	BOLT	2	W/ELECTRIC STARTER

FIG.130B

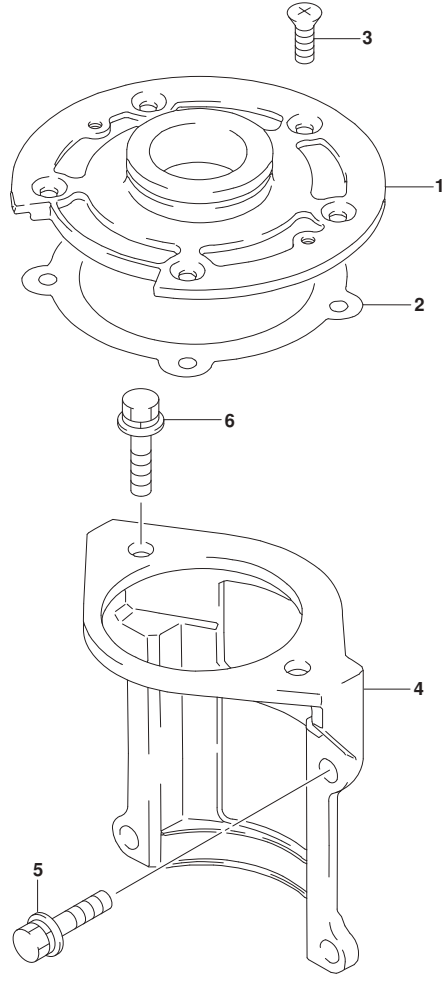


FIG.130B (1-C-14) OIL SEAL HOUSING (DT40W P90)

REF NO.	PART NO.	DESCRIPTION	Q'TY	REMARKS
1	11411-92L10	HOUSING, UPPER OIL SEAL	1	
2	11413-94411	GASKET, UPPER OIL SEAL	1	
3	09126-06022	SCREW (6X16)	5	
4	31911-92L00	BRACKET, STARTING MOTOR	1	W/ELECTRIC STARTER
5	01550-08257	BOLT	4	W/ELECTRIC STARTER
6	01580-08257	BOLT	2	W/ELECTRIC STARTER

FIG.130C

FIG.130C (1-C-15) OIL SEAL HOUSING (DT40WR P40)

REF NO.	PART NO.	DESCRIPTION	Q'TY	REMARKS
1	11411-92L10	HOUSING, UPPER OIL SEAL	1	
2	11413-94411	GASKET, UPPER OIL SEAL	1	
3	09126-06022	SCREW (6X16)	5	
4	31911-92L00	BRACKET, STARTING MOTOR	1	
5	01550-08257	BOLT	4	
6	01580-08257	BOLT	2	

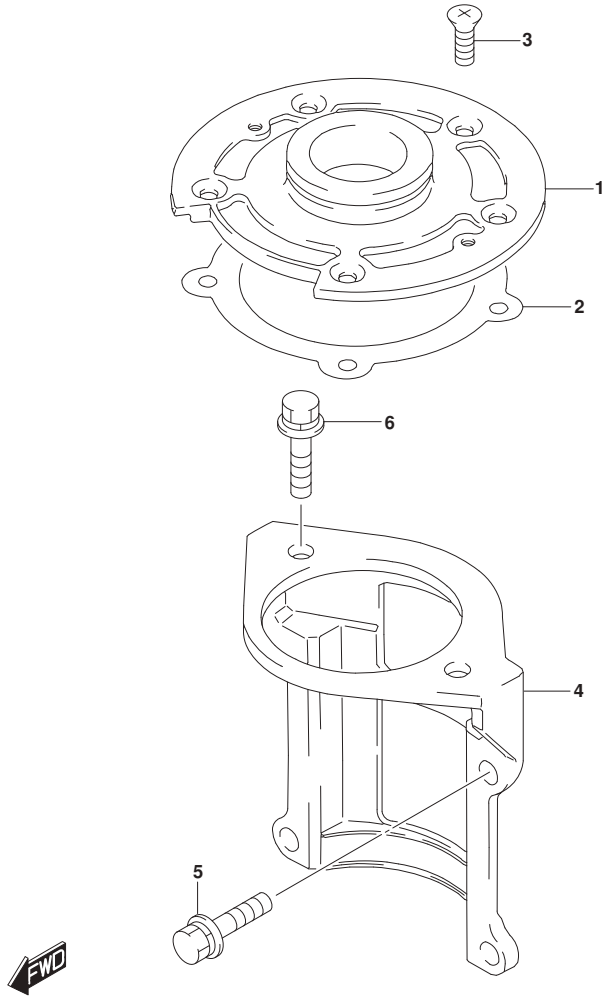


FIG.130D

FIG.130D (1-D-2) OIL SEAL HOUSING (DT40WR P90)

REF NO.	PART NO.	DESCRIPTION	Q'TY	REMARKS
1	11411-92L10	HOUSING, UPPER OIL SEAL	1	
2	11413-94411	GASKET, UPPER OIL SEAL	1	
3	09126-06022	SCREW (6X16)	5	
4	31911-92L00	BRACKET, STARTING MOTOR	1	
5	01550-08257	BOLT	4	
6	01580-08257	BOLT	2	

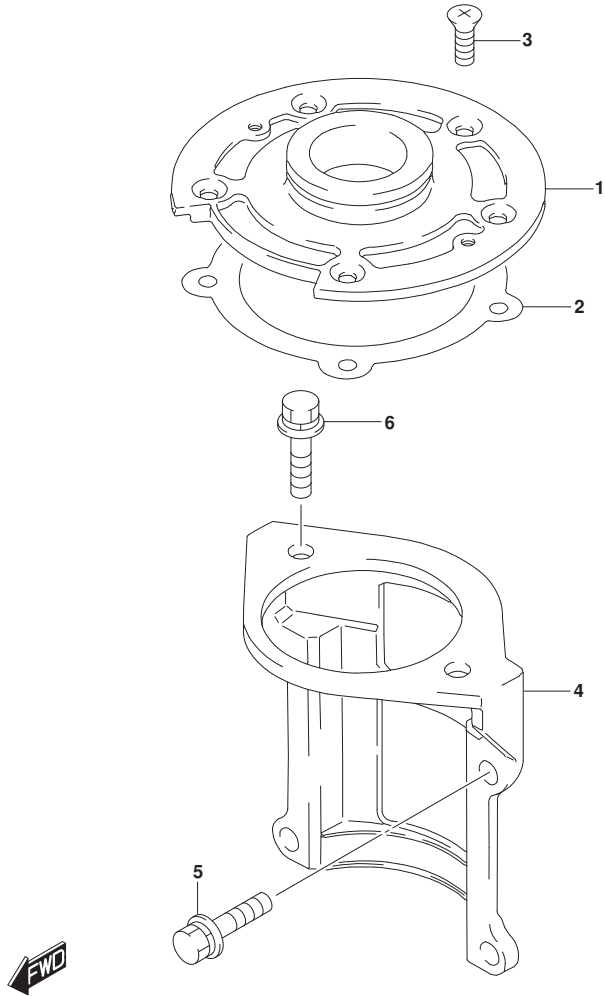


FIG.130E

FIG.130E (1-D-3) OIL SEAL HOUSING (DT40WK P40)

REF NO.	PART NO.	DESCRIPTION	Q'TY	REMARKS
1	11411-92L10	HOUSING, UPPER OIL SEAL	1	
2	11413-94411	GASKET, UPPER OIL SEAL	1	
3	09126-06022	SCREW (6X16)	5	

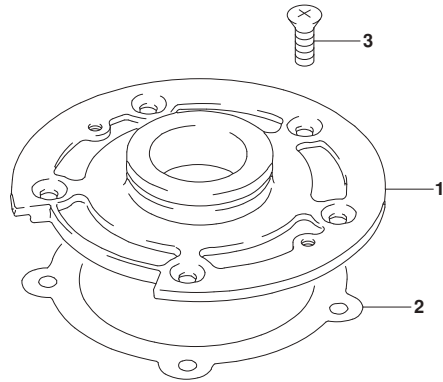


FIG.141A

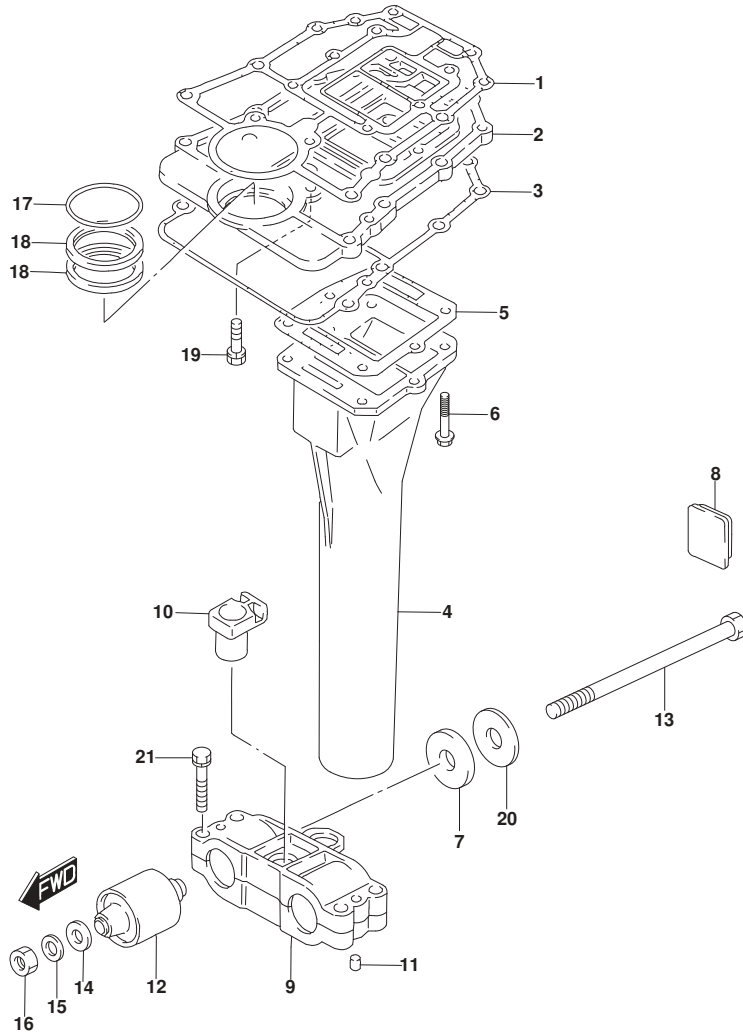


FIG.141A (1-D-4) EXHAUST TUBE (DT40W P40)

REF NO.	PART NO.	DESCRIPTION	Q'TY	REMARKS
1	11433-92L00	GASKET, UNDER OIL SEAL	1	
2	11431-92L00	HOUSING, UNDER OIL SEAL	1	
3	11434-92L00	GASKET, UNDER OIL SEAL LOWER	1	
4-1	14211-94451	TUBE, EXHAUST	1	W/TRANSOM(S) W/TRANSOM(L)
4-2	14211-92L20	TUBE, EXHAUST (L2)	1	W/TRANSOM(L2)
5	14212-94413	GASKET, EXHAUST TUBE	1	
6	09116-06234	BOLT (6X35)	6	
7	54121-94401	STOPPER, UPPER THRUST	2	
8	54125-94400	MOUNT, UPPER THRUST REVERSE	1	
9	54137-92L10	CASE, UPPER MOUNT	2	
10	54146-94400	GUIDE, UPPER MOUNT CASE	1	
11	09202-07001	PIN (7X10)	2	
12	54130-92L00	MOUNT, UPPER	2	
13	09100-10321	BOLT (10X150)	2	
14	09160-10148	WASHER (10X20X3)	2	
15	09160-10082	WASHER (10.5X19X2)	2	
16	09159-10050	NUT	2	
17	09280-50008	O RING (D:3.1,ID:49.4)	1	
18	09282-17009	OIL SEAL (17X28X6)	2	
19	09116-06228	BOLT (6X20)	2	
20	09160-10080	WASHER (10.2X44X3)	2	
21	09116-08155	BOLT (8X45)	4	

FIG.141B

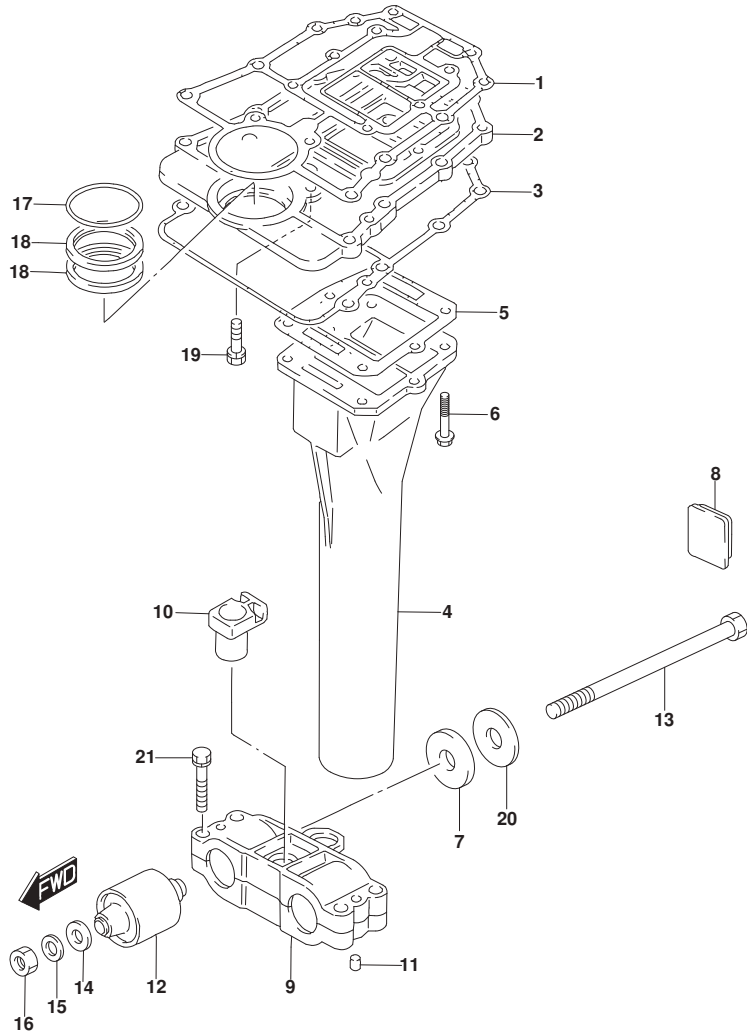


FIG.141B (1-D-5) EXHAUST TUBE (DT40W P90)

REF NO.	PART NO.	DESCRIPTION	Q'TY	REMARKS
1	11433-92L00	GASKET, UNDER OIL SEAL	1	
2	11431-92L00	HOUSING, UNDER OIL SEAL	1	
3	11434-92L00	GASKET, UNDER OIL SEAL LOWER	1	
4-1	14211-94451	TUBE, EXHAUST	1	W/TRANSOM(S) W/TRANSOM(L)
4-2	14211-92L20	TUBE, EXHAUST (L2)	1	W/TRANSOM(L2)
5	14212-94413	GASKET, EXHAUST TUBE	1	
6	09116-06234	BOLT (6X35)	6	
7	54121-94401	STOPPER, UPPER THRUST	2	
8	54125-94400	MOUNT, UPPER THRUST REVERSE	1	
9	54137-92L10	CASE, UPPER MOUNT	2	
10	54146-94400	GUIDE, UPPER MOUNT CASE	1	
11	09202-07001	PIN (7X10)	2	
12	54130-92L00	MOUNT, UPPER	2	
13	09100-10321	BOLT (10X150)	2	
14	09160-10148	WASHER (10X20X3)	2	
15	09160-10082	WASHER (10.5X19X2)	2	
16	09159-10050	NUT	2	
17	09280-50008	O RING (D:3.1,ID:49.4)	1	
18	09282-17009	OIL SEAL (17X28X6)	2	
19	09116-06228	BOLT (6X20)	2	
20	09160-10080	WASHER (10.2X44X3)	2	
21	09116-08155	BOLT (8X45)	4	

FIG.141C

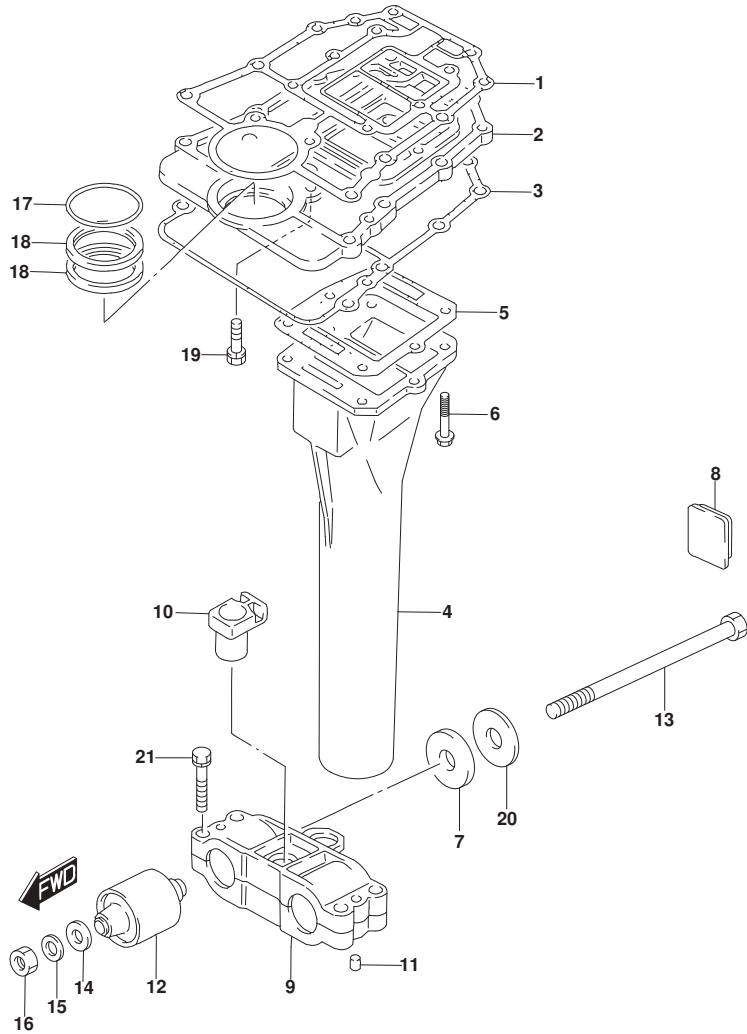


FIG.141C (1-D-6) EXHAUST TUBE (DT40WR P40)

REF NO.	PART NO.	DESCRIPTION	Q'TY	REMARKS
1	11433-92L00	GASKET, UNDER OIL SEAL	1	
2	11431-92L00	HOUSING, UNDER OIL SEAL	1	
3	11434-92L00	GASKET, UNDER OIL SEAL LOWER	1	
4-1	14211-94451	TUBE, EXHAUST	1	W/TRANSOM(L)
4-2	14211-92L20	TUBE, EXHAUST (L2)	1	W/TRANSOM(L2)
5	14212-94413	GASKET, EXHAUST TUBE	1	
6	09116-06234	BOLT (6X35)	6	
7	54121-94401	STOPPER, UPPER THRUST	2	
8	54125-94400	MOUNT, UPPER THRUST REVERSE	1	
9	54137-92L10	CASE, UPPER MOUNT	2	
10	54146-94400	GUIDE, UPPER MOUNT CASE	1	
11	09202-07001	PIN (7X10)	2	
12	54130-92L00	MOUNT, UPPER	2	
13	09100-10321	BOLT (10X150)	2	
14	09160-10148	WASHER (10X20X3)	2	
15	09160-10082	WASHER (10.5X19X2)	2	
16	09159-10050	NUT	2	
17	09280-50008	O RING (D:3.1,ID:49.4)	1	
18	09282-17009	OIL SEAL (17X28X6)	2	
19	09116-06228	BOLT (6X20)	2	
20	09160-10080	WASHER (10.2X44X3)	2	
21	09116-08155	BOLT (8X45)	4	

FIG.141D

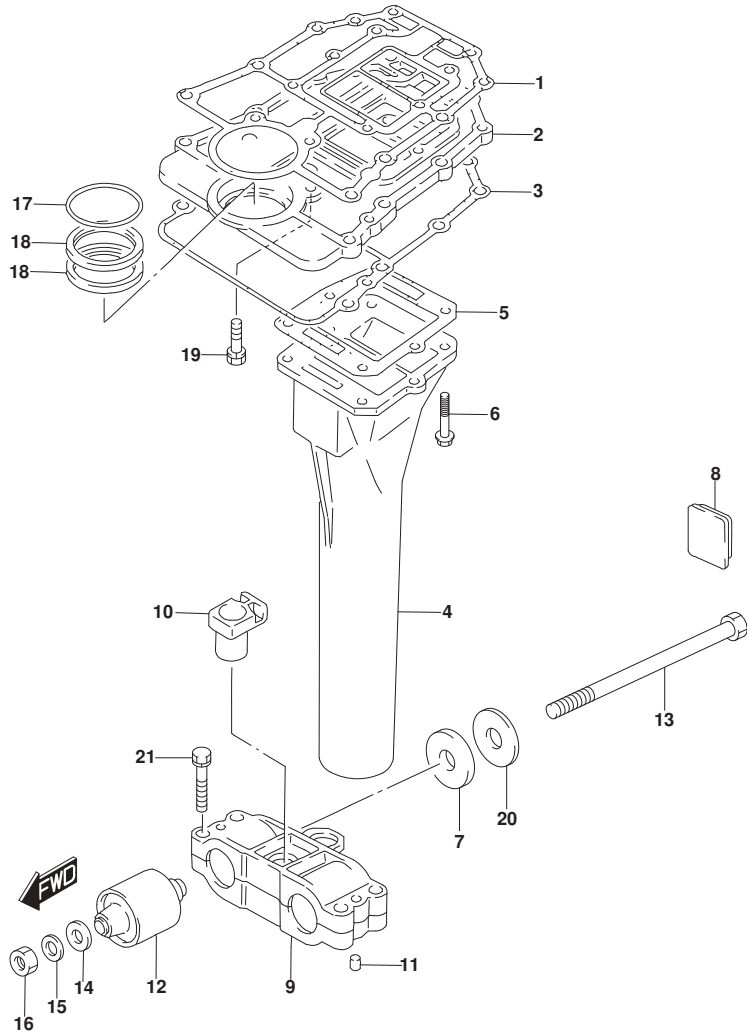


FIG.141D (1-D-7) EXHAUST TUBE (DT40WR P90)

REF NO.	PART NO.	DESCRIPTION	Q'TY	REMARKS
1	11433-92L00	GASKET, UNDER OIL SEAL	1	
2	11431-92L00	HOUSING, UNDER OIL SEAL	1	
3	11434-92L00	GASKET, UNDER OIL SEAL LOWER	1	
4-1	14211-94451	TUBE, EXHAUST	1	W/TRANSOM(S) W/TRANSOM(L)
4-2	14211-92L20	TUBE, EXHAUST (L2)	1	W/TRANSOM(L2)
5	14212-94413	GASKET, EXHAUST TUBE	1	
6	09116-06234	BOLT (6X35)	6	
7	54121-94401	STOPPER, UPPER THRUST	2	
8	54125-94400	MOUNT, UPPER THRUST REVERSE	1	
9	54137-92L10	CASE, UPPER MOUNT	2	
10	54146-94400	GUIDE, UPPER MOUNT CASE	1	
11	09202-07001	PIN (7X10)	2	
12	54130-92L00	MOUNT, UPPER	2	
13	09100-10321	BOLT (10X150)	2	
14	09160-10148	WASHER (10X20X3)	2	
15	09160-10082	WASHER (10.5X19X2)	2	
16	09159-10050	NUT	2	
17	09280-50008	O RING (D:3.1,ID:49.4)	1	
18	09282-17009	OIL SEAL (17X28X6)	2	
19	09116-06228	BOLT (6X20)	2	
20	09160-10080	WASHER (10.2X44X3)	2	
21	09116-08155	BOLT (8X45)	4	

FIG.141E

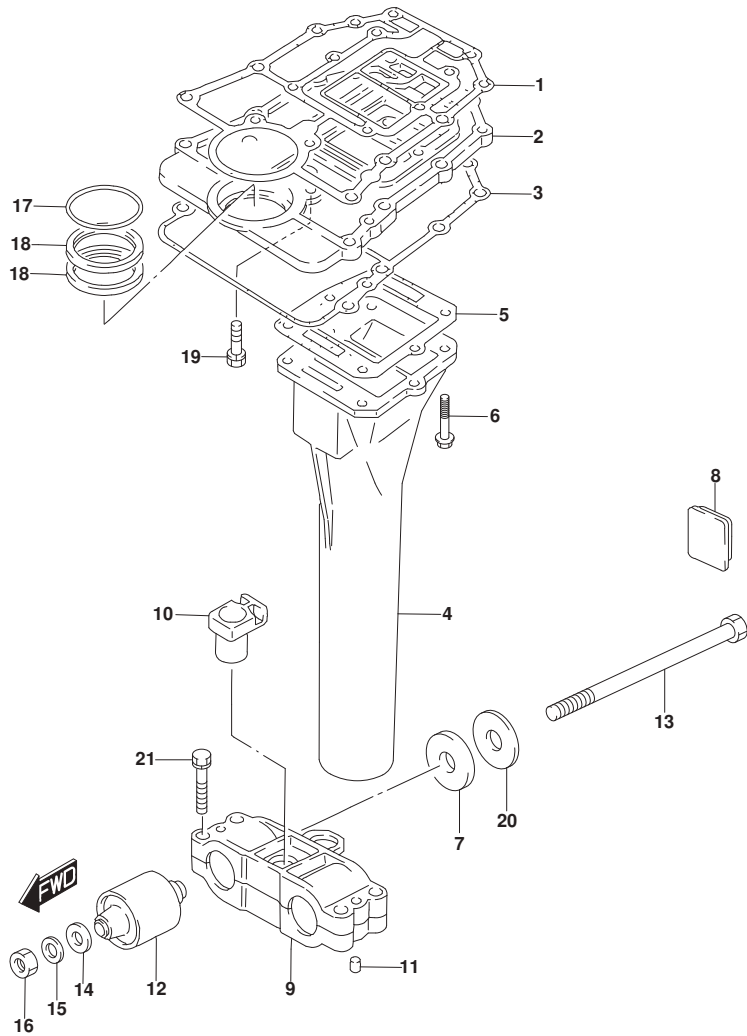


FIG.141E (1-D-8) EXHAUST TUBE (DT40WK P40)

REF NO.	PART NO.	DESCRIPTION	Q'TY	REMARKS
1	11433-92L00	GASKET, UNDER OIL SEAL	1	
2	11431-92L00	HOUSING, UNDER OIL SEAL	1	
3	11434-92L00	GASKET, UNDER OIL SEAL LOWER	1	
4-1	14211-94451	TUBE, EXHAUST	1	W/TRANSOM(S) W/TRANSOM(L)
4-2	14211-92L20	TUBE, EXHAUST (L2)	1	W/TRANSOM(L2)
5	14212-94413	GASKET, EXHAUST TUBE	1	
6	09116-06234	BOLT (6X35)	6	
7	54121-94401	STOPPER, UPPER THRUST	2	
8	54125-94400	MOUNT, UPPER THRUST REVERSE	1	
9	54137-92L10	CASE, UPPER MOUNT	2	
10	54146-94400	GUIDE, UPPER MOUNT CASE	1	
11	09202-07001	PIN (7X10)	2	
12	54130-92L00	MOUNT, UPPER	2	
13	09100-10321	BOLT (10X150)	2	
14	09160-10148	WASHER (10X20X3)	2	
15	09160-10082	WASHER (10.5X19X2)	2	
16	09159-10050	NUT	2	
17	09280-50008	O RING (D:3.1,ID:49.4)	1	
18	09282-17009	OIL SEAL (17X28X6)	2	
19	09116-06228	BOLT (6X20)	2	
20	09160-10080	WASHER (10.2X44X3)	2	
21	09116-08155	BOLT (8X45)	4	

FIG.146A

FIG.146A (1-D-9) FUEL PUMP (DT40W P40)

REF NO.	PART NO.	DESCRIPTION	Q'TY	REMARKS
1	15100-94311	PUMP, FUEL	1	
2	15170-94320	.DIAPHRAGM SET	1	
3	15183-94301	.SCREW	2	
4	15186-94300	.NUT	2	
5	15851-94300	.SCREW	3	
6	15321-99710	GASKET, FUEL PUMP	1	
7	15410-94400	FILTER ASSY, FUEL	1	
8	15413-87D10	.CUP	1	
9	15430-87D10	.ELEMENT SET	1	
10	15211-91J00-110	HOSE, FUEL (PUMP TO CARB)	1	
11	15211-91J00-135	HOSE, FUEL (FILTER TO PUMP)	1	
12	15211-91J00-400	HOSE, FUEL (CONNECTOR TO FILTER)	1	
13	09401-08413	CLIP	6	
14	29404-93J10	CLAMP	1	
15	01547-06407	BOLT	2	
16	08316-10087	NUT	1	

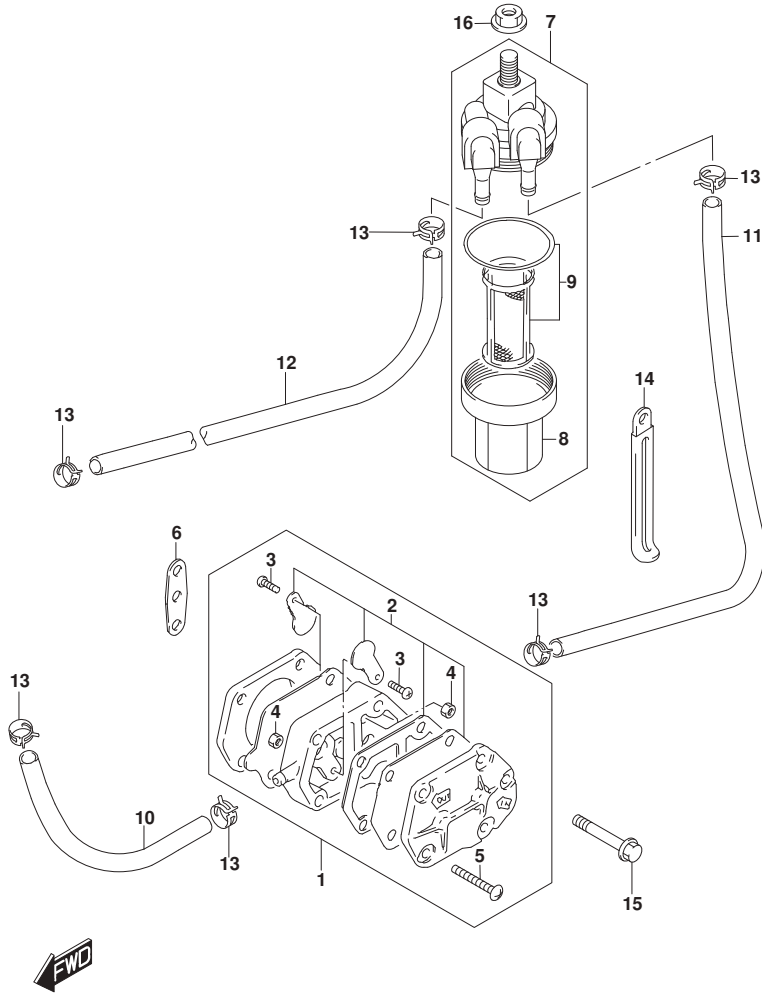


FIG.146B

FIG.146B (1-D-10) FUEL PUMP (DT40W P90)

REF NO.	PART NO.	DESCRIPTION	Q'TY	REMARKS
1	15100-94311	PUMP, FUEL	1	
2	15170-94320	.DIAPHRAGM SET	1	
3	15183-94301	.SCREW	2	
4	15186-94300	.NUT	2	
5	15851-94300	.SCREW	3	
6	15321-99710	GASKET, FUEL PUMP	1	
7	15410-94400	FILTER ASSY, FUEL	1	
8	15413-87D10	.CUP	1	
9	15430-87D10	.ELEMENT SET	1	
10	15211-91J00-110	HOSE, FUEL (PUMP TO CARB)	1	
11	15211-91J00-135	HOSE, FUEL (FILTER TO PUMP)	1	
12	15211-91J00-400	HOSE, FUEL (CONNECTOR TO FILTER)	1	
13	09401-08413	CLIP	6	
14	29404-93J10	CLAMP	1	
15	01547-06407	BOLT	2	
16	08316-10087	NUT	1	

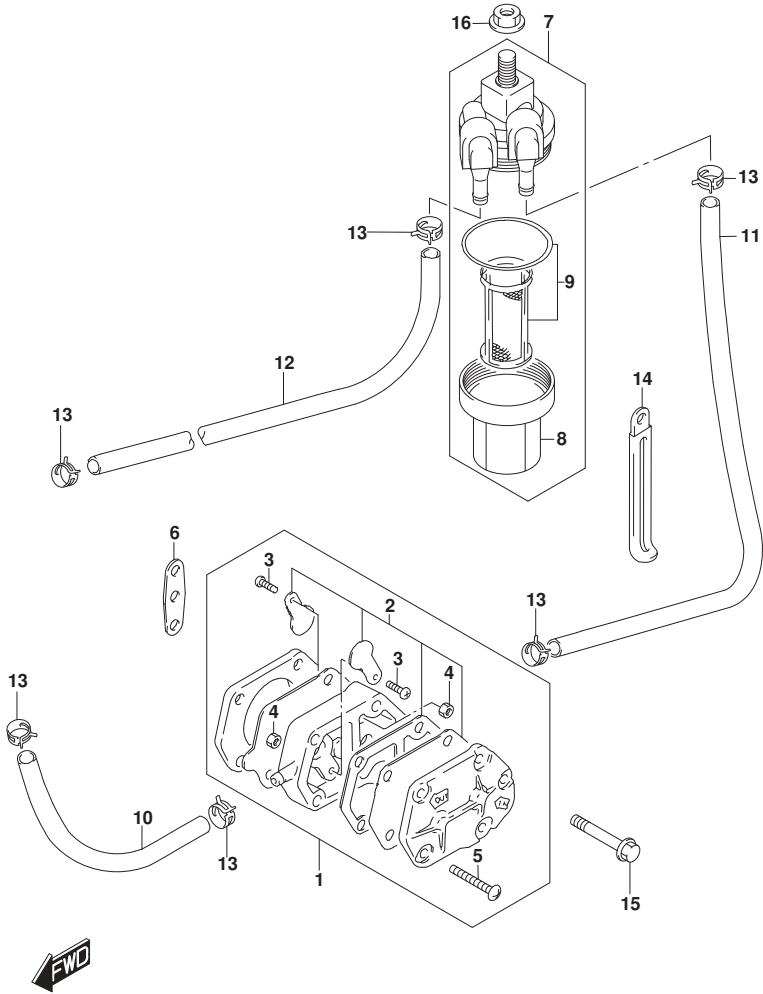


FIG.146C

FIG.146C (1-D-11) FUEL PUMP (DT40WR P40)

REF NO.	PART NO.	DESCRIPTION	Q'TY	REMARKS
1	15100-94311	PUMP, FUEL	1	
2	15170-94320	.DIAPHRAGM SET	1	
3	15183-94301	.SCREW	2	
4	15186-94300	.NUT	2	
5	15851-94300	.SCREW	3	
6	15321-99710	GASKET, FUEL PUMP	1	
7	15410-94400	FILTER ASSY, FUEL	1	
8	15413-87D10	.CUP	1	
9	15430-87D10	.ELEMENT SET	1	
10	15211-91J00-110	HOSE, FUEL (PUMP TO CARB)	1	
11	15211-91J00-135	HOSE, FUEL (FILTER TO PUMP)	1	
12	15211-91J00-400	HOSE, FUEL (CONNECTOR TO FILTER)	1	
13	09401-08413	CLIP	6	
14	29404-93J10	CLAMP	1	
15	01547-06407	BOLT	2	
16	08316-10087	NUT	1	

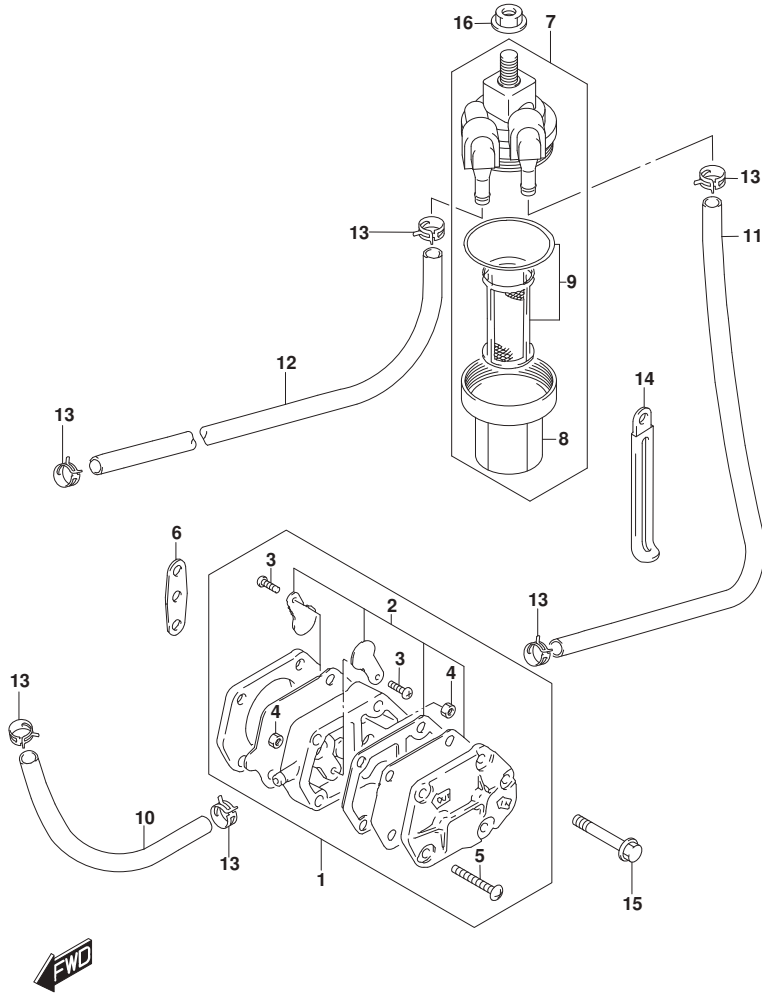


FIG.146D

FIG.146D (1-D-12) FUEL PUMP (DT40WR P90)

REF NO.	PART NO.	DESCRIPTION	Q'TY	REMARKS
1	15100-94311	PUMP, FUEL	1	
2	15170-94320	.DIAPHRAGM SET	1	
3	15183-94301	.SCREW	2	
4	15186-94300	.NUT	2	
5	15851-94300	.SCREW	3	
6	15321-99710	GASKET, FUEL PUMP	1	
7	15410-94400	FILTER ASSY, FUEL	1	
8	15413-87D10	.CUP	1	
9	15430-87D10	.ELEMENT SET	1	
10	15211-91J00-110	HOSE, FUEL (PUMP TO CARB)	1	
11	15211-91J00-135	HOSE, FUEL (FILTER TO PUMP)	1	
12	15211-91J00-400	HOSE, FUEL (CONNECTOR TO FILTER)	1	
13	09401-08413	CLIP	6	
14	29404-93J10	CLAMP	1	
15	01547-06407	BOLT	2	
16	08316-10087	NUT	1	

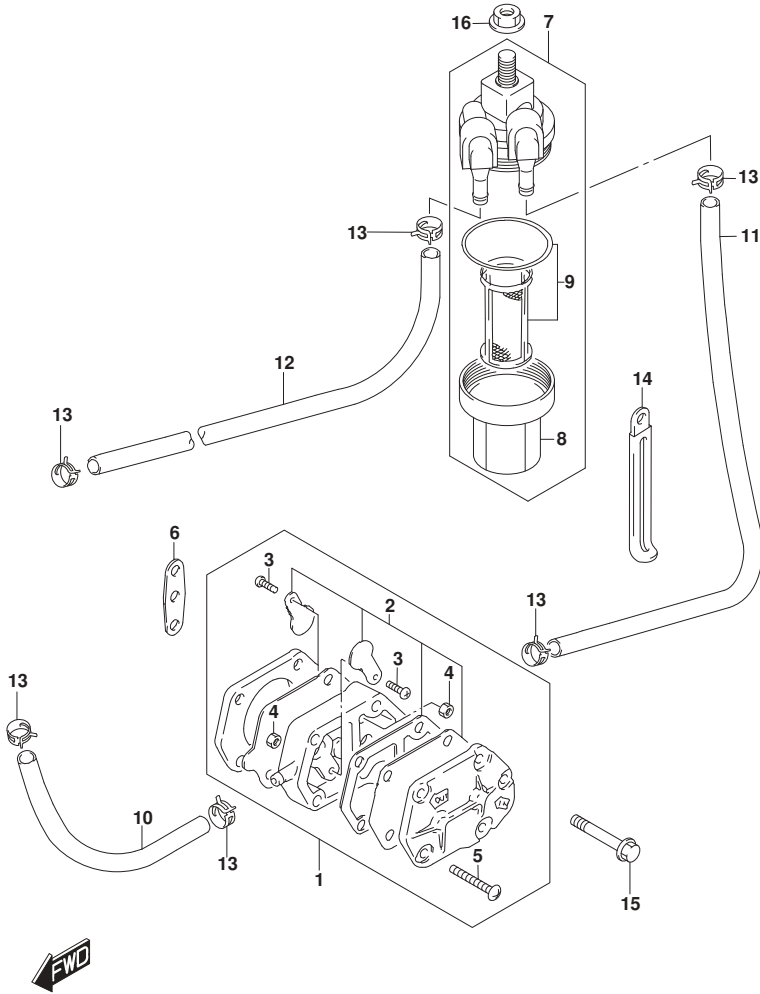


FIG.146E

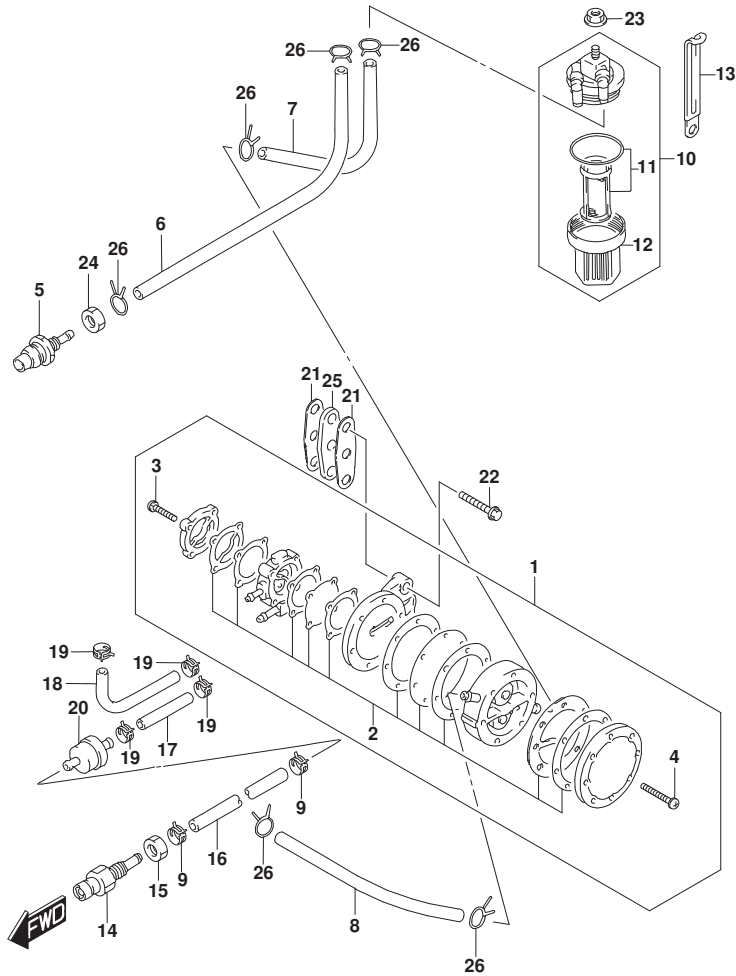


FIG.146E (1-D-13) FUEL PUMP (DT40WK P40)

REF NO.	PART NO.	DESCRIPTION	Q'TY	REMARKS
1	15100-94460	PUMP ASSY, FUEL	1	
2	15170-94460	.DIAPHRAGM SET	1	
3	15251-94450	.SCREW	4	
4	15251-94470	.SCREW	6	
5	65720-985L1	PLUG, FUEL CONNECTOR	1	FOR KEROSENE
6	09355-50108-370	HOSE (5X10X370)	1	FOR KEROSENE CONN TO FILTER
7	09355-50108-135	HOSE (5X10X135)	1	FOR KEROSENE FILTER TO PUMP
8	09355-50108-260	HOSE (5X10X260)	1	FOR KEROSENE PUMP TO CARB
9	09401-10412	CLIP	2	
10	15410-94400	FILTER ASSY, FUEL	1	FOR KEROSENE
11	15430-87D10	.ELEMENT SET	1	
12	15413-87D10	.CUP	1	
13	29404-93J10	CLAMP	1	FOR KEROSENE
14	65720-955L0	PLUG, FUEL CONNECTOR	1	FOR GASOLINE
15	09140-12038	NUT	1	FOR GASOLINE
16	09352-70113-600	HOSE (7X11X600)	1	L:600->150 FOR GASOLINE CONN TO FILTER
17	15211-91J00-050	HOSE, FUEL (FILTER TO PUMP)	1	FOR GASOLINE
18	15211-91J00-140	HOSE, FUEL (PUMP TO CARB)	1	FOR GASOLINE
19	09401-08413	CLIP	4	
20	15410-94350	FILTER, FUEL	1	FOR GASOLINE
21	15321-96300	GASKET, FUEL PUMP	2	
22	01550-06307	BOLT	2	
23	08316-10087	NUT	1	
24	09140-10032	NUT	1	FOR KEROSENE
25	15322-96300	INSULATOR, FUEL PUMP	1	
26	59412-91J00	CLIP	6	

FIG.160A

FIG.160A (1-D-14) WATER PUMP (DT40W P40)

REF NO.	PART NO.	DESCRIPTION	Q'TY	REMARKS
1-1	17431-92L10	TUBE, WATER PUMP SEAL (S)	1	W/TRANSOM(S) L:21
1-2	17431-92L20	TUBE, WATER PUMP SEAL (L)	1	W/TRANSOM(L) L:126
1-3	17431-92L00	TUBE, WATER PUMP SEAL (L2)	1	W/TRANSOM(L2) L:173
2-1	17561-92L50	TUBE, WATER (S)	1	W/TRANSOM(S) L:366
2-2	17561-92L60	TUBE, WATER (L)	1	W/TRANSOM(L) L:446
2-3	17561-92L70	TUBE, WATER (L2)	1	W/TRANSOM(L2) L:493
3	17410-92L00	CASE, WATER PUMP	1	
4	29141-93J00	NUT	4	
5	29162-93J00	LOCK WASHER	4	
6	09108-06060	STUD BOLT	2	
7	09108-06061	STUD BOLT	2	
8	09420-04006	KEY	1	
9	17461-96312	IMPELLER, WATER PUMP	1	
10	17471-92L00	PANEL, PUMP CASE UNDER	1	
11	17472-96303	GASKET, PUMP CASE UNDER	1	
12	56130-92L20-0EP	HOUSING, DRIVE SHAFT BEARING (BLACK)	1	
13	09282-17L01	.OIL SEAL (17X32X6)	2	
14	09265-20015	BEARING (20X42X15)	1	
15	17432-96300	GROMMET, WATER PUMP SEAL TUBE	2	
16	17563-94400	GROMMET, WATER TUBE, UPPER	1	
17	17565-94400	GROMMET, WATER TUBE, MIDDLE	1	
18	17566-94400	GROMMET, WATER TUBE, LOWER	1	
19	17400-94412	KIT, WATER PUMP REPAIR	1	OPT

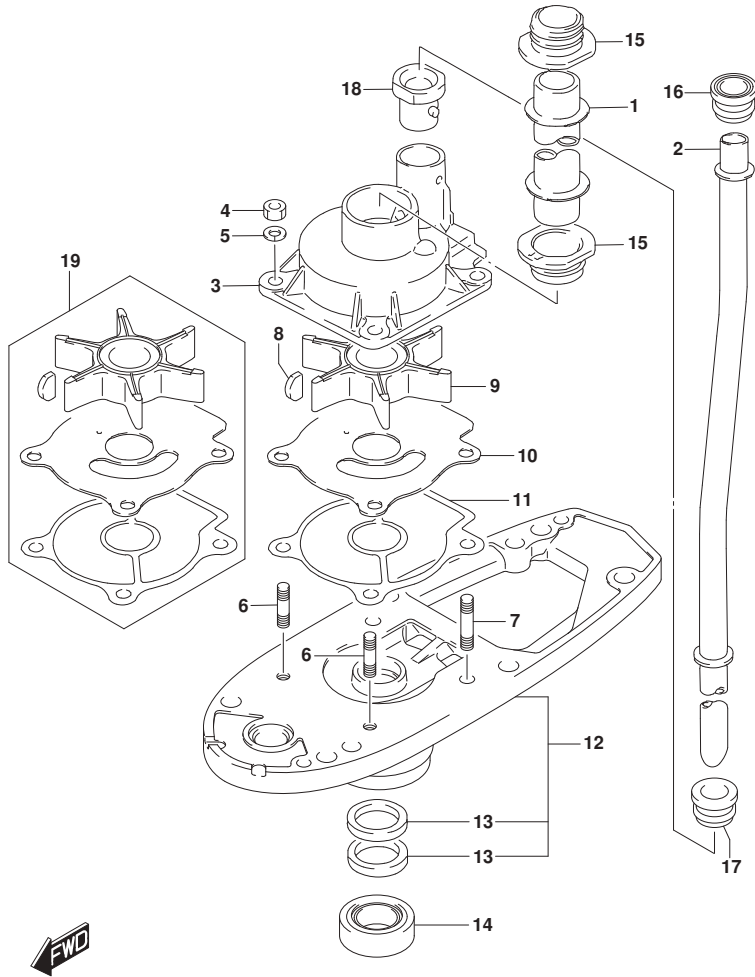


FIG.160B

FIG.160B (1-D-15) WATER PUMP (DT40W P90)

REF NO.	PART NO.	DESCRIPTION	Q'TY	REMARKS
1-1	17431-92L10	TUBE, WATER PUMP SEAL (S)	1	W/TRANSOM(S) L:21
1-2	17431-92L20	TUBE, WATER PUMP SEAL (L)	1	W/TRANSOM(L) L:126
1-3	17431-92L00	TUBE, WATER PUMP SEAL (L2)	1	W/TRANSOM(L2) L:173
2-1	17561-92L50	TUBE, WATER (S)	1	W/TRANSOM(S) L:366
2-2	17561-92L60	TUBE, WATER (L)	1	W/TRANSOM(L) L:446
2-3	17561-92L70	TUBE, WATER (L2)	1	W/TRANSOM(L2) L:493
3	17410-92L00	CASE, WATER PUMP	1	
4	29141-93J00	NUT	4	
5	29162-93J00	LOCK WASHER	4	
6	09108-06060	STUD BOLT	2	
7	09108-06061	STUD BOLT	2	
8	09420-04006	KEY	1	
9	17461-96312	IMPELLER, WATER PUMP	1	
10	17471-92L00	PANEL, PUMP CASE UNDER	1	
11	17472-96303	GASKET, PUMP CASE UNDER	1	
12	56130-92L20-0EP	HOUSING, DRIVE SHAFT BEARING (BLACK)	1	
13	09282-17L01	.OIL SEAL (17X32X6)	2	
14	09265-20015	BEARING (20X42X15)	1	
15	17432-96300	GROMMET, WATER PUMP SEAL TUBE	2	
16	17563-94400	GROMMET, WATER TUBE, UPPER	1	
17	17565-94400	GROMMET, WATER TUBE, MIDDLE	1	
18	17566-94400	GROMMET, WATER TUBE, LOWER	1	
19	17400-94412	KIT, WATER PUMP REPAIR	1	OPT

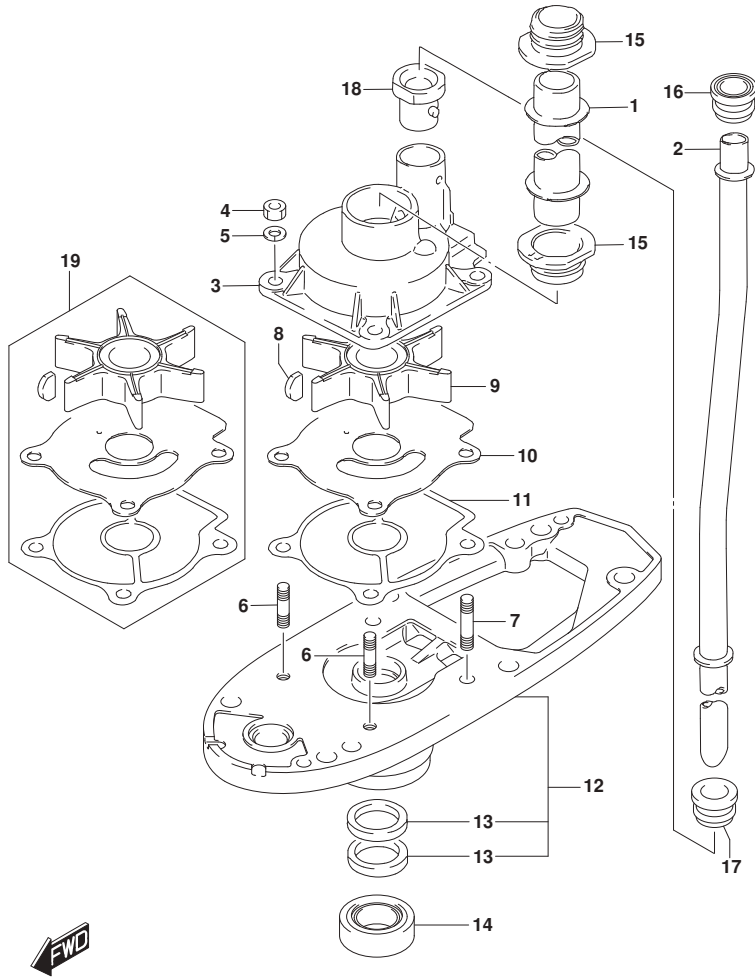


FIG.160C

FIG.160C (1-E-2) WATER PUMP (DT40WR P40)

REF NO.	PART NO.	DESCRIPTION	Q'TY	REMARKS
1-1	17431-92L20	TUBE, WATER PUMP SEAL (L)	1	W/TRANSOM(L) L:126
1-2	17431-92L00	TUBE, WATER PUMP SEAL (L2)	1	W/TRANSOM(L2) L:173
2-1	17561-92L60	TUBE, WATER (L)	1	W/TRANSOM(L) L:446
2-2	17561-92L70	TUBE, WATER (L2)	1	W/TRANSOM(L2) L:493
3	17410-92L00	CASE, WATER PUMP	1	
4	29141-93J00	NUT	4	
5	29162-93J00	LOCK WASHER	4	
6	09108-06060	STUD BOLT	2	
7	09108-06061	STUD BOLT	2	
8	09420-04006	KEY	1	
9	17461-96312	IMPELLER, WATER PUMP	1	
10	17471-92L00	PANEL, PUMP CASE UNDER	1	
11	17472-96303	GASKET, PUMP CASE UNDER	1	
12	56130-92L20-0EP	HOUSING, DRIVE SHAFT BEARING (BLACK)	1	
13	09282-17L01	.OIL SEAL (17X32X6)	2	
14	09265-20015	BEARING (20X42X15)	1	
15	17432-96300	GROMMET, WATER PUMP SEAL TUBE	2	
16	17563-94400	GROMMET, WATER TUBE, UPPER	1	
17	17565-94400	GROMMET, WATER TUBE, MIDDLE	1	
18	17566-94400	GROMMET, WATER TUBE, LOWER	1	
19	17400-94412	KIT, WATER PUMP REPAIR	1	OPT

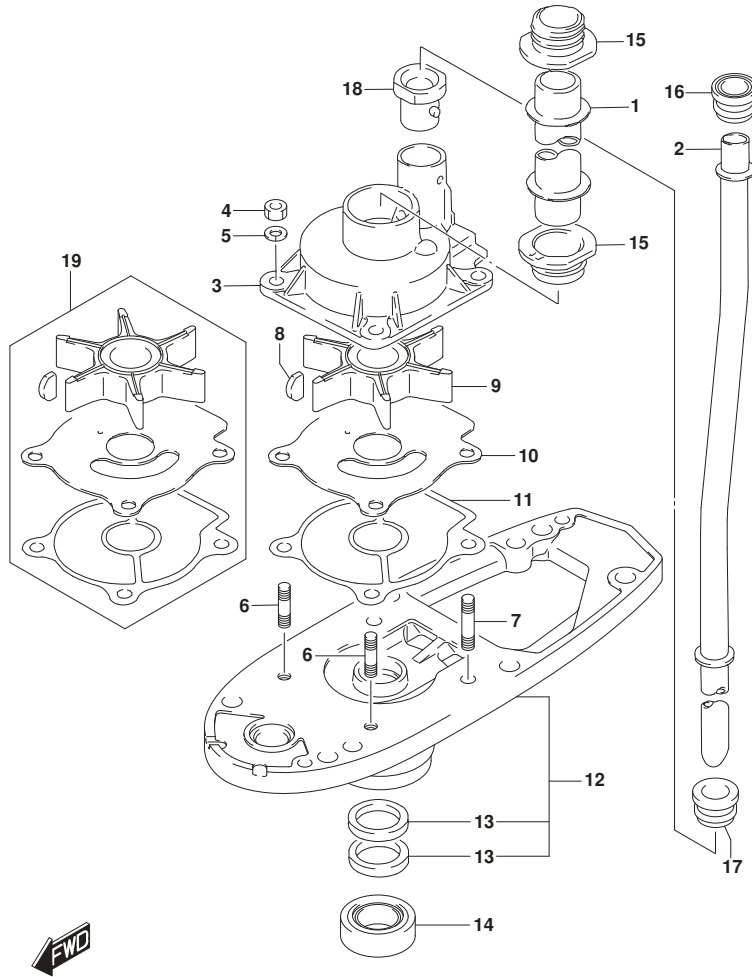


FIG.160D

FIG.160D (1-E-3) WATER PUMP (DT40WR P90)

REF NO.	PART NO.	DESCRIPTION	Q'TY	REMARKS
1-1	17431-92L10	TUBE, WATER PUMP SEAL (S)	1	W/TRANSOM(S) L:21
1-2	17431-92L20	TUBE, WATER PUMP SEAL (L)	1	W/TRANSOM(L) L:126
1-3	17431-92L00	TUBE, WATER PUMP SEAL (L2)	1	W/TRANSOM(L2) L:173
2-1	17561-92L50	TUBE, WATER (S)	1	W/TRANSOM(S) L:366
2-2	17561-92L60	TUBE, WATER (L)	1	W/TRANSOM(L) L:446
2-3	17561-92L70	TUBE, WATER (L2)	1	W/TRANSOM(L2) L:493
3	17410-92L00	CASE, WATER PUMP	1	
4	29141-93J00	NUT	4	
5	29162-93J00	LOCK WASHER	4	
6	09108-06060	STUD BOLT	2	
7	09108-06061	STUD BOLT	2	
8	09420-04006	KEY	1	
9	17461-96312	IMPELLER, WATER PUMP	1	
10	17471-92L00	PANEL, PUMP CASE UNDER	1	
11	17472-96303	GASKET, PUMP CASE UNDER	1	
12	56130-92L20-0EP	HOUSING, DRIVE SHAFT BEARING (BLACK)	1	
13	09282-17L01	.OIL SEAL (17X32X6)	2	
14	09265-20015	BEARING (20X42X15)	1	
15	17432-96300	GROMMET, WATER PUMP SEAL TUBE	2	
16	17563-94400	GROMMET, WATER TUBE, UPPER	1	
17	17565-94400	GROMMET, WATER TUBE, MIDDLE	1	
18	17566-94400	GROMMET, WATER TUBE, LOWER	1	
19	17400-94412	KIT, WATER PUMP REPAIR	1	OPT

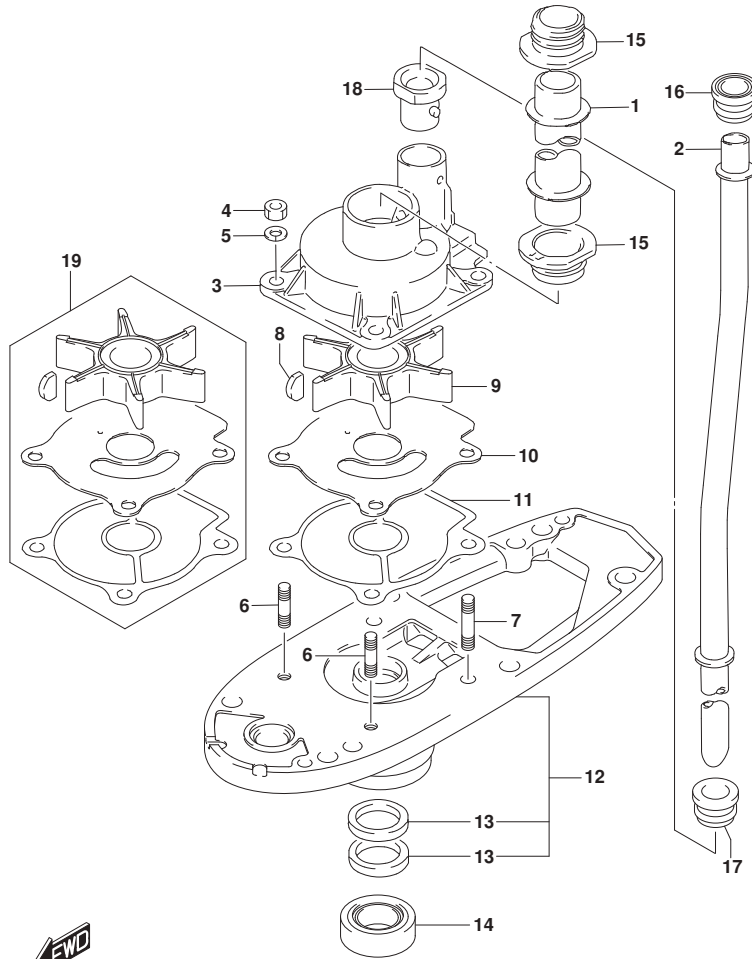


FIG.160E

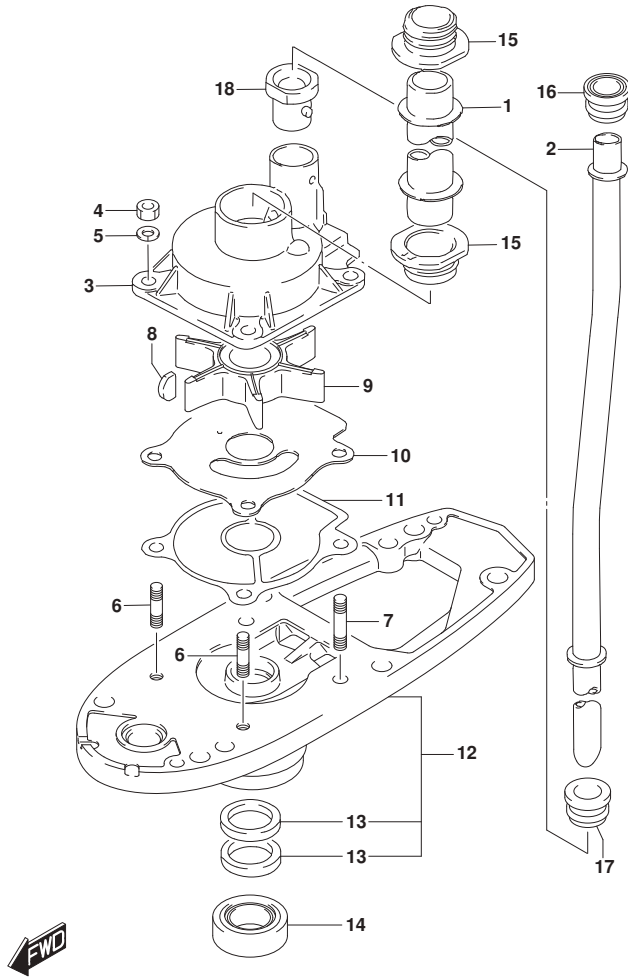


FIG.160E (1-E-4) WATER PUMP (DT40WK P40)

REF NO.	PART NO.	DESCRIPTION	Q'TY	REMARKS
1-1	17431-92L10	TUBE, WATER PUMP SEAL (S)	1	W/TRANSOM(S) L:21
1-2	17431-92L20	TUBE, WATER PUMP SEAL (L)	1	W/TRANSOM(L) L:126
1-3	17431-92L00	TUBE, WATER PUMP SEAL (L2)	1	W/TRANSOM(L2) L:173
2-1	17561-92L50	TUBE, WATER (S)	1	W/TRANSOM(S) L:366
2-2	17561-92L60	TUBE, WATER (L)	1	W/TRANSOM(L) L:446
2-3	17561-92L70	TUBE, WATER (L2)	1	W/TRANSOM(L2) L:493
3	17410-92L00	CASE, WATER PUMP	1	
4	29141-93J00	NUT	4	
5	29162-93J00	LOCK WASHER	4	
6	09108-06060	STUD BOLT	2	
7	09108-06061	STUD BOLT	2	
8	09420-04006	KEY	1	
9	17461-96312	IMPELLER, WATER PUMP	1	
10	17471-92L00	PANEL, PUMP CASE UNDER	1	
11	17472-96303	GASKET, PUMP CASE UNDER	1	
12	56130-92L20-0EP	HOUSING, DRIVE SHAFT BEARING (BLACK)	1	
13	09282-17L01	.OIL SEAL (17X32X6)	2	
14	09265-20015	BEARING (20X42X15)	1	
15	17432-96300	GROMMET, WATER PUMP SEAL TUBE	2	
16	17563-94400	GROMMET, WATER TUBE, UPPER	1	
17	17565-94400	GROMMET, WATER TUBE, MIDDLE	1	
18	17566-94400	GROMMET, WATER TUBE, LOWER	1	

FIG.166A

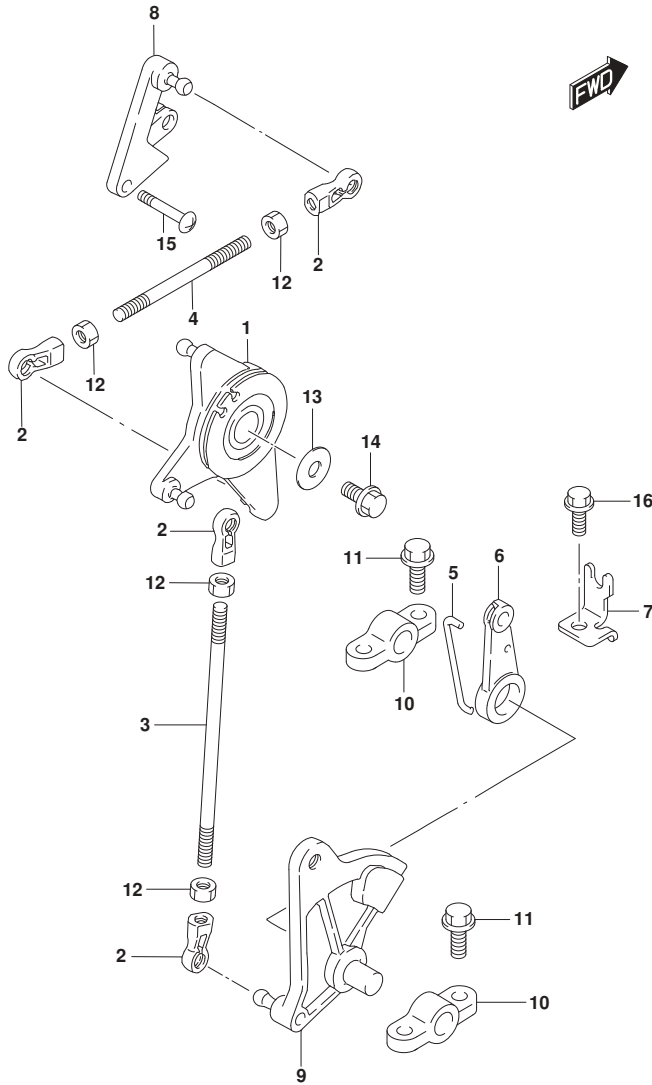


FIG.166A (1-E-5) THROTTLE CONTROL (DT40W P40)

REF NO.	PART NO.	DESCRIPTION	Q'TY	REMARKS
1	19121-94400	LEVER, THROTTLE CONTROL	1	
2	19131-95502	CONNECTOR	4	
3	19135-94400	ROD (LEVER TO LIMITER)	1	
4	19136-95510	ROD, THROTTLE	1	
5	19654-94421	ROD (CLUTCH TO NSI LEVER)	1	
6	19851-94401	LEVER, NSI	1	
7	19861-92L00	STAY, NSI CABLE	1	
8	19522-94400	LEVER, THROTTLE	1	
9	19811-94400	LIMITER, THROTTLE	1	
10	19815-94400	HOLDER, THROTTLE LIMITER	2	
11	09103-06048	BOLT (6X20)	4	
12	09140-05005	NUT	4	
13	09160-06084	WASHER (6.5X18X1.6)	1	
14	01550-06127	BOLT	1	
15	02142-05307	SCREW	1	
16	01550-06127	BOLT	1	

FIG.166B

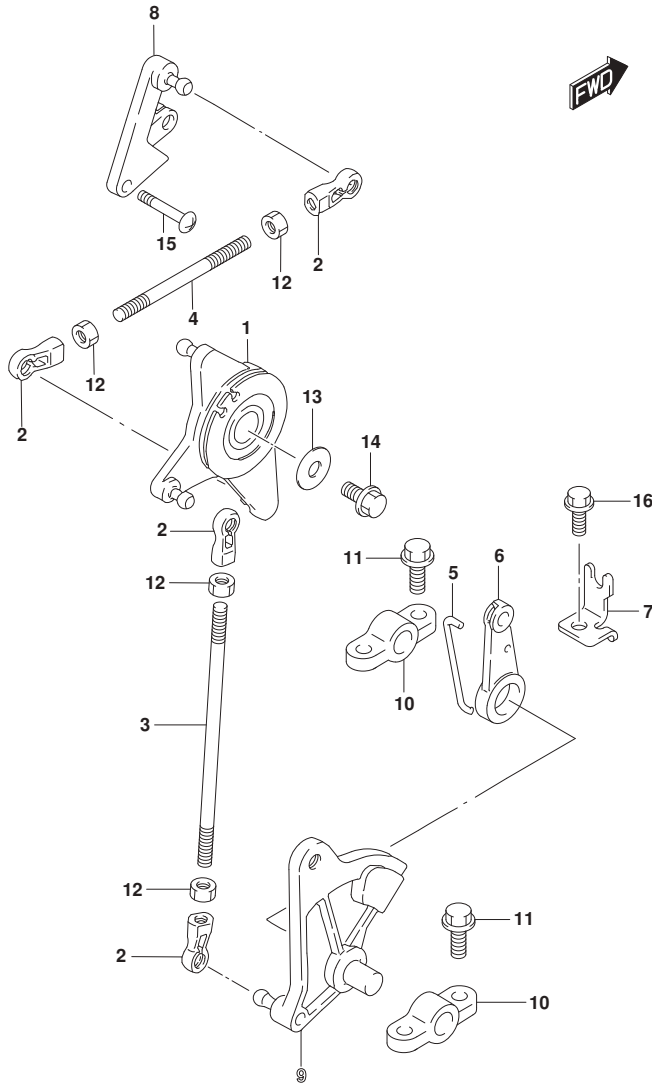


FIG.166B (1-E-6) THROTTLE CONTROL (DT40W P90)

REF NO.	PART NO.	DESCRIPTION	Q'TY	REMARKS
1	19121-94400	LEVER, THROTTLE CONTROL	1	
2	19131-95502	CONNECTOR	4	
3	19135-94400	ROD (LEVER TO LIMITER)	1	
4	19136-95510	ROD, THROTTLE	1	
5	19654-94421	ROD (CLUTCH TO NSI LEVER)	1	
6	19851-94401	LEVER, NSI	1	
7	19861-92L00	STAY, NSI CABLE	1	
8	19522-94400	LEVER, THROTTLE	1	
9	19811-94400	LIMITER, THROTTLE	1	
10	19815-94400	HOLDER, THROTTLE LIMITER	2	
11	09103-06048	BOLT (6X20)	4	
12	09140-05005	NUT	4	
13	09160-06084	WASHER (6.5X18X1.6)	1	
14	01550-06127	BOLT	1	
15	02142-05307	SCREW	1	
16	01550-06127	BOLT	1	

FIG.166C

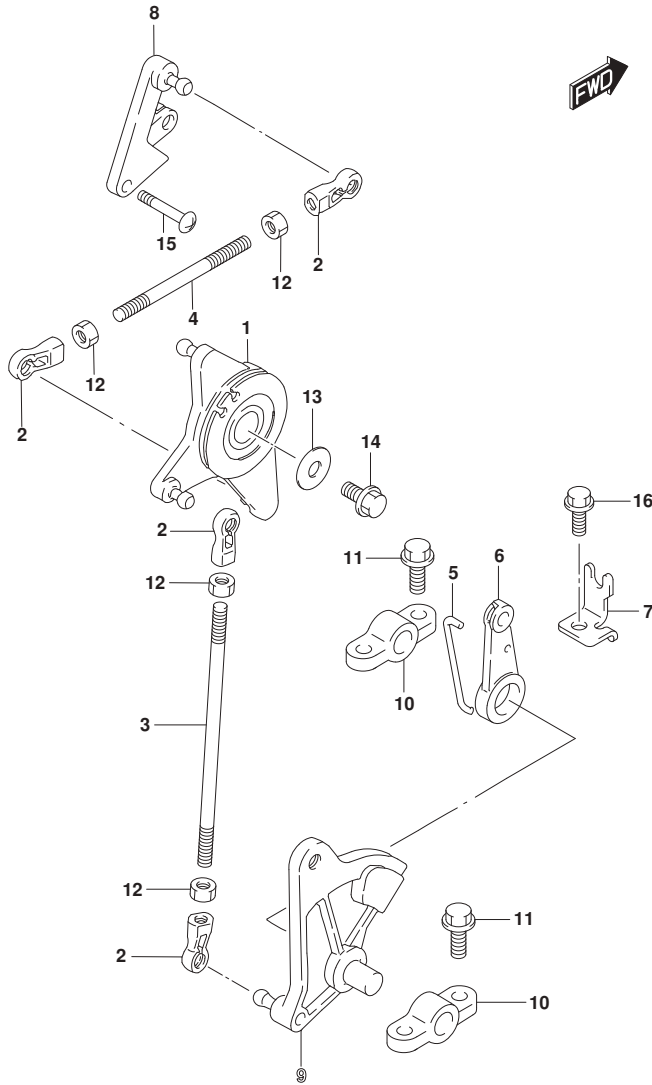


FIG.166C (1-E-7) THROTTLE CONTROL (DT40WR P40)

REF NO.	PART NO.	DESCRIPTION	Q'TY	REMARKS
1	19121-94400	LEVER, THROTTLE CONTROL	1	
2	19131-95502	CONNECTOR	4	
3	19135-94400	ROD (LEVER TO LIMITER)	1	
4	19136-95510	ROD, THROTTLE	1	
5	19654-94421	ROD (CLUTCH TO NSI LEVER)	1	
6	19851-94401	LEVER, NSI	1	
7	19861-92L00	STAY, NSI CABLE	1	
8	19522-94400	LEVER, THROTTLE	1	
9	19811-94400	LIMITER, THROTTLE	1	
10	19815-94400	HOLDER, THROTTLE LIMITER	2	
11	09103-06048	BOLT (6X20)	4	
12	09140-05005	NUT	4	
13	09160-06084	WASHER (6.5X18X1.6)	1	
14	01550-06127	BOLT	1	
15	02142-05307	SCREW	1	
16	01550-06127	BOLT	1	

FIG.166D

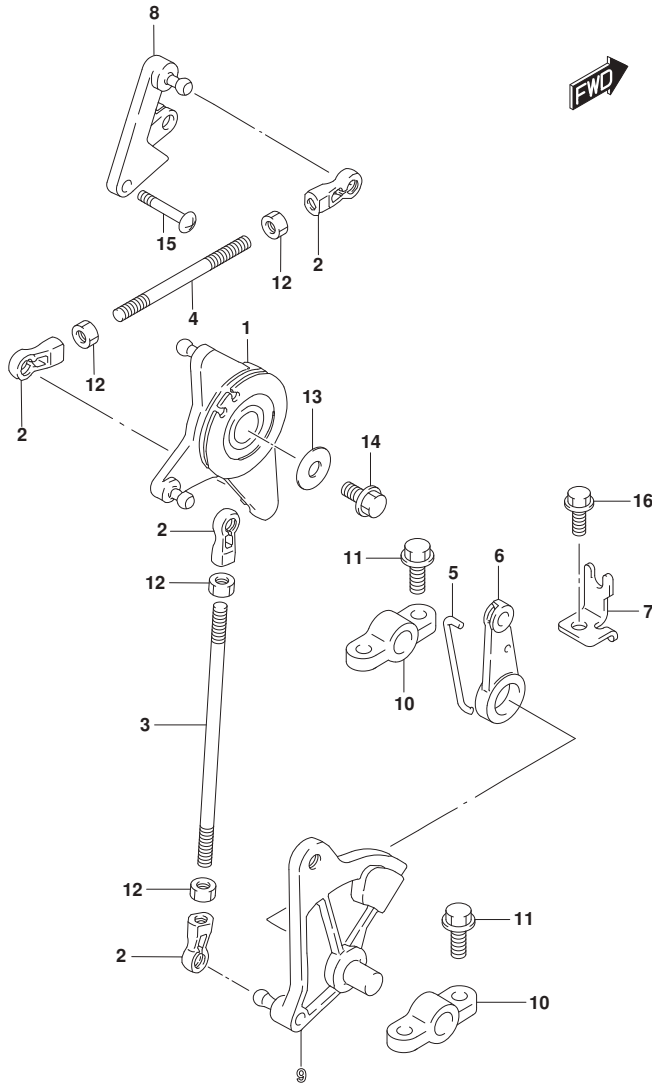


FIG.166D (1-E-8) THROTTLE CONTROL (DT40WR P90)

REF NO.	PART NO.	DESCRIPTION	Q'TY	REMARKS
1	19121-94400	LEVER, THROTTLE CONTROL	1	
2	19131-95502	CONNECTOR	4	
3	19135-94400	ROD (LEVER TO LIMITER)	1	
4	19136-95510	ROD, THROTTLE	1	
5	19654-94421	ROD (CLUTCH TO NSI LEVER)	1	
6	19851-94401	LEVER, NSI	1	
7	19861-92L00	STAY, NSI CABLE	1	
8	19522-94400	LEVER, THROTTLE	1	
9	19811-94400	LIMITER, THROTTLE	1	
10	19815-94400	HOLDER, THROTTLE LIMITER	2	
11	09103-06048	BOLT (6X20)	4	
12	09140-05005	NUT	4	
13	09160-06084	WASHER (6.5X18X1.6)	1	
14	01550-06127	BOLT	1	
15	02142-05307	SCREW	1	
16	01550-06127	BOLT	1	

FIG.166E

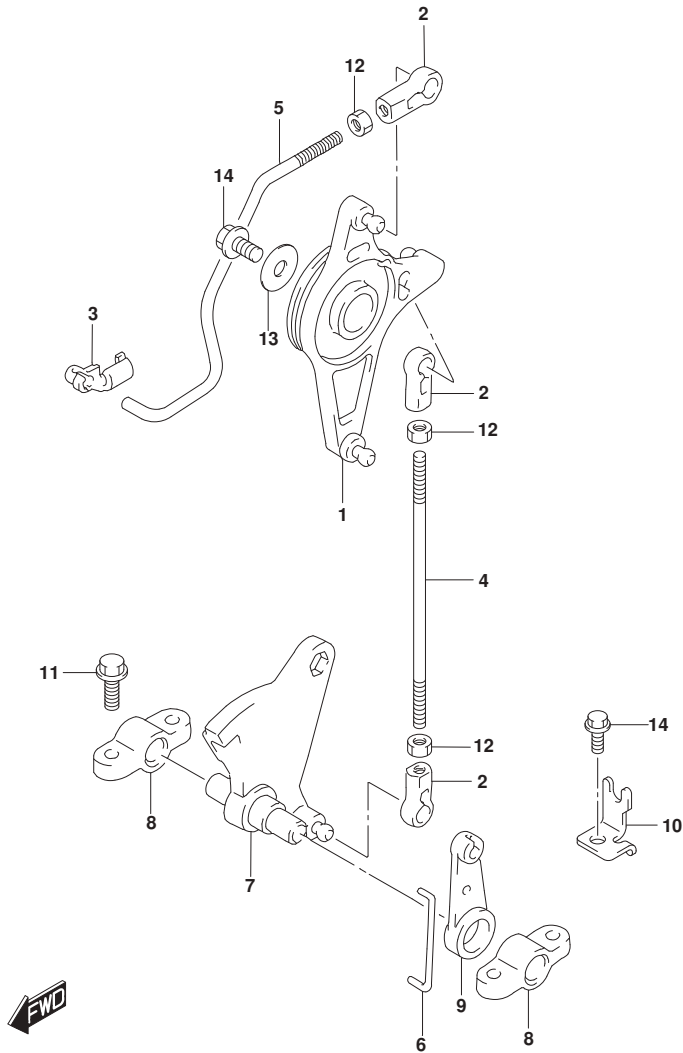


FIG.166E (1-E-9) THROTTLE CONTROL (DT40WK P40)

REF NO.	PART NO.	DESCRIPTION	Q'TY	REMARKS
1	19121-94400	LEVER, THROTTLE CONTROL	1	
2	19131-95502	CONNECTOR	3	
3	19132-96300	CONNECTOR, THROTTLE ROD	1	
4	19135-94400	ROD (LEVER TO LIMITER)	1	
5	19136-94451	ROD, THROTTLE	1	
6	19654-94421	ROD (CLUTCH TO NSI)	1	
7	19811-94400	LIMITER, THROTTLE	1	
8	19815-94400	HOLDER, THROTTLE LIMITER	2	
9	19851-94401	LEVER, NSI	1	
10	19861-92L00	STAY, NSI CABLE	1	
11	09103-06048	BOLT (6X20)	4	
12	09140-05005	NUT	3	
13	09160-06084	WASHER (6.5X18X1.6)	1	
14	01550-06127	BOLT	2	

FIG.167A

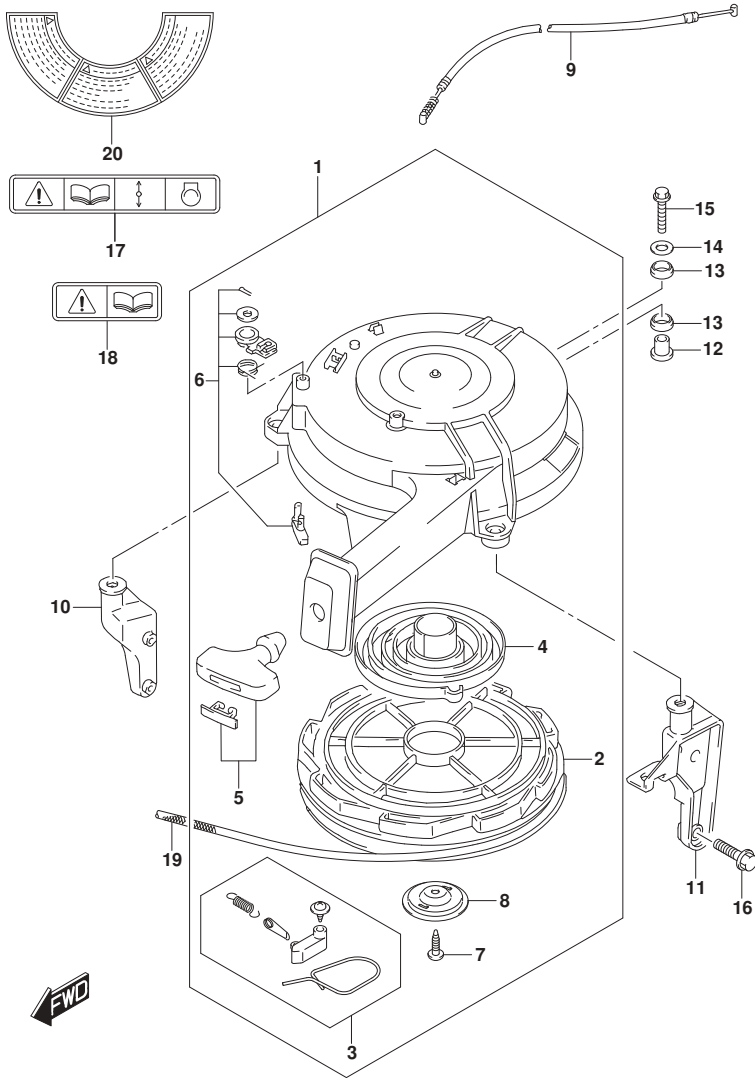


FIG.167A (1-E-10) RECOIL STARTER

REF NO.	PART NO.	DESCRIPTION	QTY	REMARKS
1	18100-92L10	STARTER ASSY, RECOIL	1	
2	18120-96320	.REEL	1	
3	18130-91L00	.RATCHET SET	1	
4	18142-96300	.SPRING, SPIRAL	1	
5	18210-93002	.GRIP	1	
6	18280-96320	.NSI SET	1	
7	18132-89L00	.SCREW	1	
8	18151-96310	.PLATE, FRICTION	1	
9	18290-92L00	CABLE, NSI	1	
10	18711-92L10	BRACE, STBD	1	
11	18721-92L10	BRACE, PORT	1	
12	09180-08169	SPACER (8.6X12X17)	3	
13	09320-12059	CUSHION	6	
14	09160-08124	WASHER (8.5X20X1.6)	3	
15	01550-08357	BOLT	3	
16	01550-06257	BOLT	4	
17	69711-93E10	LABEL, CAUTION (S.I.G.P.)	1	
18	69712-93E10	LABEL, CAUTION (S.I.G.P.)	1	
19	99000-81159-50M	ROPE (L:50000)	1	OPT
20	61472-94J00	LABEL, RECOIL STARTER	1	L:50000->1750

FIG.201A

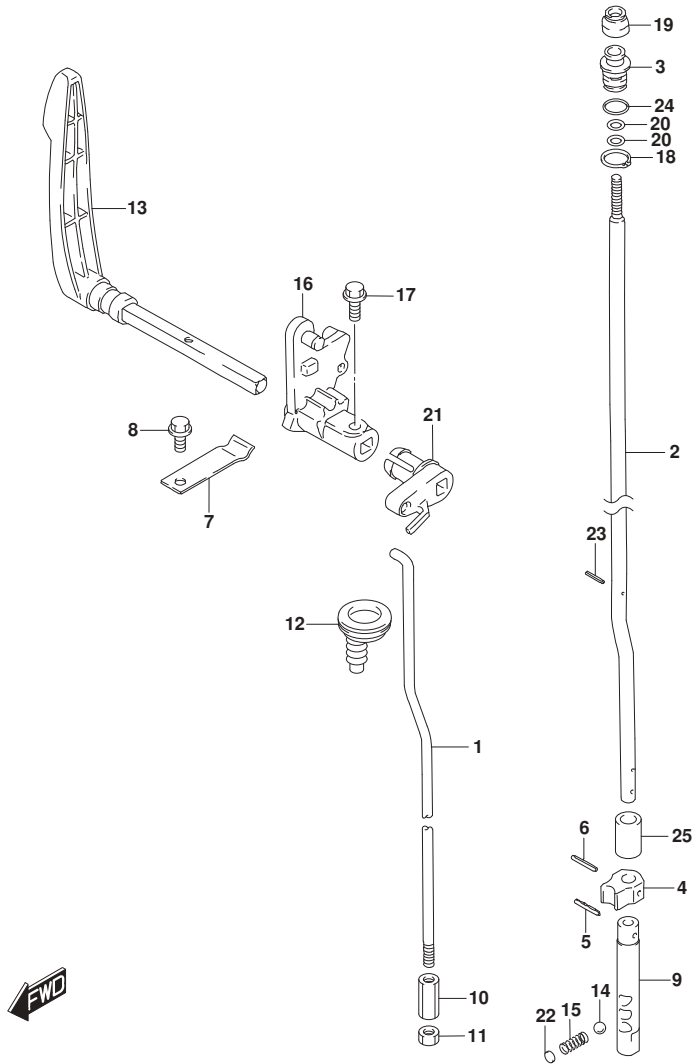


FIG.201A (1-E-11) CLUTCH (DT40W P40)

REF NO.	PART NO.	DESCRIPTION	Q'TY	REMARKS
1	23111-92L00	ROD, CLUTCH	1	
2-1	25111-92L50	ROD, SHIFT (S)	1	W/TRANSOM(S)
2-2	25111-92L60	ROD, SHIFT (L)	1	W/TRANSOM(L)
2-3	25111-92L70	ROD, SHIFT (L2)	1	W/TRANSOM(L2)
3	25211-92L00	GUIDE, SHIFT ROD	1	
4	25212-94401	GUIDE, SHIFT ROD LOWER	1	
5	09205-03021	SPRING PIN (3.5X12)	1	
6	09205-02013	SPRING PIN (2.5X16)	1	
7	23213-94400	SPRING, CLUTCH NOTCH	1	
8	01550-06127	BOLT	1	
9	25311-94402	CAM SHIFT	1	
10	23311-95J00	CONNECTOR, CLUTCH ROD	1	
11	29141-93J00	NUT	1	
12	23131-92L00	BOOT, CLUTCH	1	
13	21110-94402	LEVER, CLUTCH	1	
14	09260-10005	BALL	1	
15	09440-07078	SPRING	1	
16	21121-92L00	PLATE, CLUTCH	1	
17	01550-05167	SCREW	1	
18	08331-3115A	CIRCLIP	1	
19	25223-94400	SEAL, SHIFT ROD	1	
20	09280-08005	O RING (D:1.7,ID:7.7)	1	
21	23211-94401	ARM, CLUTCH ROD	1	
22	21121-93300	PLATE, CLUTCH NOTCH	1	
23	09205-02004	SPRING PIN (2.5X12)	1	
24	09280-11001	O RING (D:2.4,ID:10.8)	1	
25	25232-96302	MAGNET, GEAR CASE	1	

FIG.201B

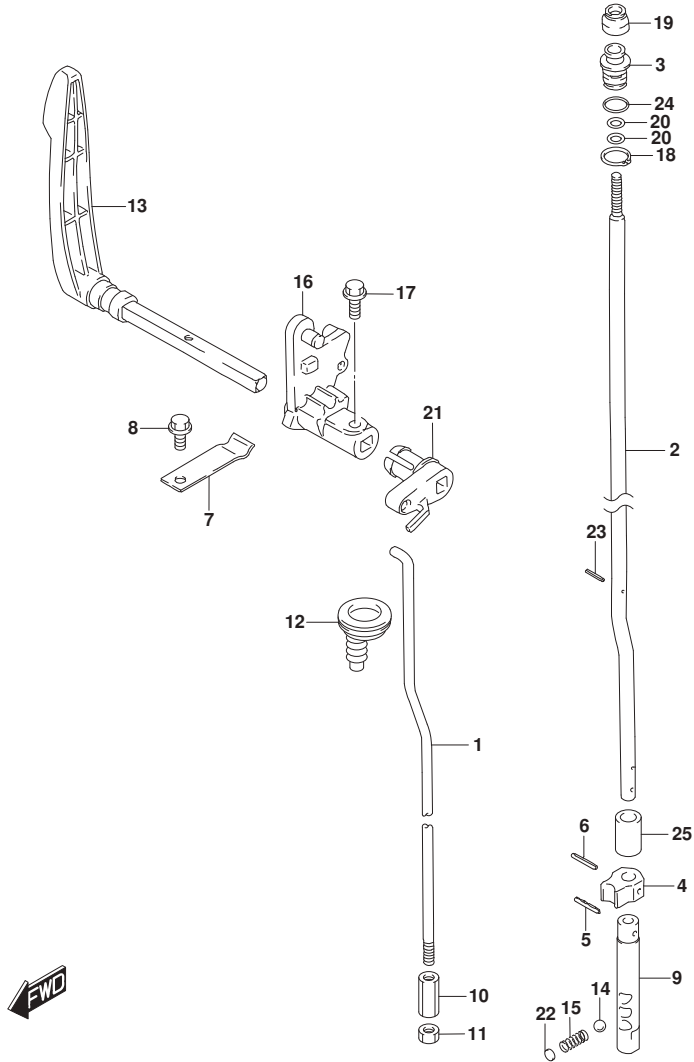


FIG.201B (1-E-12) CLUTCH (DT40W P90)

REF NO.	PART NO.	DESCRIPTION	Q'TY	REMARKS
1	23111-92L00	ROD, CLUTCH	1	
2-1	25111-92L50	ROD, SHIFT (S)	1	W/TRANSOM(S)
2-2	25111-92L60	ROD, SHIFT (L)	1	W/TRANSOM(L)
2-3	25111-92L70	ROD, SHIFT (L2)	1	W/TRANSOM(L2)
3	25211-92L00	GUIDE, SHIFT ROD	1	
4	25212-94401	GUIDE, SHIFT ROD LOWER	1	
5	09205-03021	SPRING PIN (3.5X12)	1	
6	09205-02013	SPRING PIN (2.5X16)	1	
7	23213-94400	SPRING, CLUTCH NOTCH	1	
8	01550-06127	BOLT	1	
9	25311-94402	CAM SHIFT	1	
10	23311-95J00	CONNECTOR, CLUTCH ROD	1	
11	29141-93J00	NUT	1	
12	23131-92L00	BOOT, CLUTCH	1	
13	21110-94402	LEVER, CLUTCH	1	
14	09260-10005	BALL	1	
15	09440-07078	SPRING	1	
16	21121-92L00	PLATE, CLUTCH	1	
17	01550-05167	SCREW	1	
18	08331-3115A	CIRCLIP	1	
19	25223-94400	SEAL, SHIFT ROD	1	
20	09280-08005	O RING (D:1.7,ID:7.7)	1	
21	23211-94401	ARM, CLUTCH ROD	1	
22	21121-93300	PLATE, CLUTCH NOTCH	1	
23	09205-02004	SPRING PIN (2.5X12)	1	
24	09280-11001	O RING (D:2.4,ID:10.8)	1	
25	25232-96302	MAGNET, GEAR CASE	1	

FIG.201C

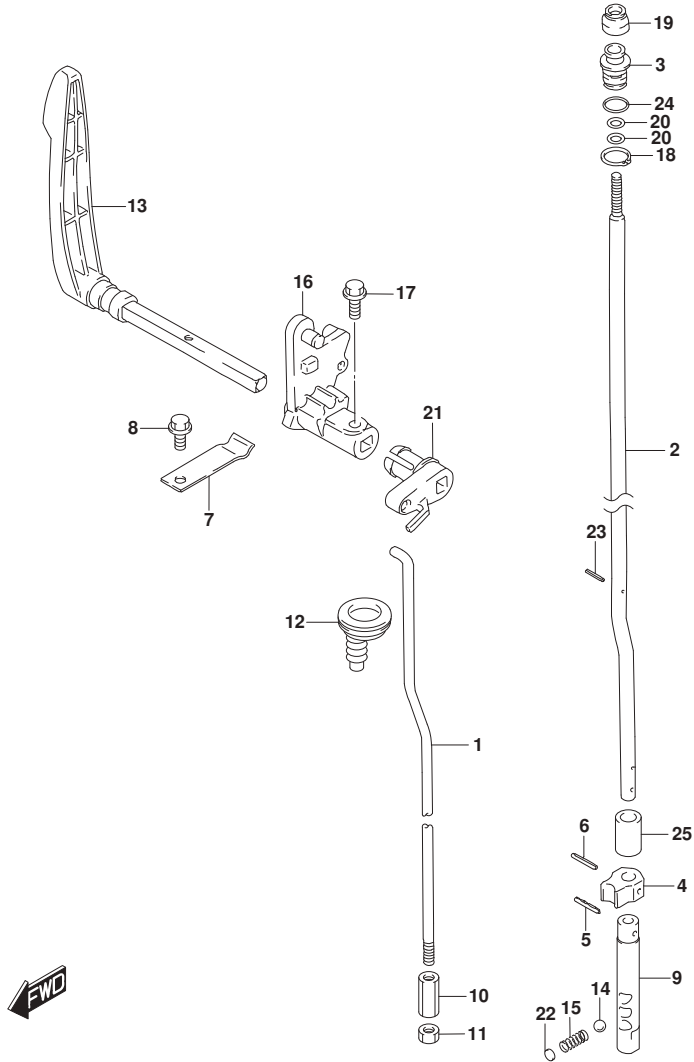


FIG.201C (1-E-13) CLUTCH (DT40WR P40)

REF NO.	PART NO.	DESCRIPTION	Q'TY	REMARKS
1	23111-92L00	ROD, CLUTCH	1	
2-1	25111-92L60	ROD, SHIFT (L)	1	W/TRANSOM(L)
2-2	25111-92L70	ROD, SHIFT (L2)	1	W/TRANSOM(L2)
3	25211-92L00	GUIDE, SHIFT ROD	1	
4	25212-94401	GUIDE, SHIFT ROD LOWER	1	
5	09205-03021	SPRING PIN (3.5X12)	1	
6	09205-02013	SPRING PIN (2.5X16)	1	
7	23213-94400	SPRING, CLUTCH NOTCH	1	
8	01550-06127	BOLT	1	
9	25311-94402	CAM SHIFT	1	
10	23311-95J00	CONNECTOR, CLUTCH ROD	1	
11	29141-93J00	NUT	1	
12	23131-92L00	BOOT, CLUTCH	1	
13	21110-94402	LEVER, CLUTCH	1	
14	09260-10005	BALL	1	
15	09440-07078	SPRING	1	
16	21121-92L00	PLATE, CLUTCH	1	
17	01550-05167	SCREW	1	
18	08331-3115A	CIRCLIP	1	
19	25223-94400	SEAL, SHIFT ROD	1	
20	09280-08005	O RING (D:1.7,ID:7.7)	1	
21	23211-94401	ARM, CLUTCH ROD	1	
22	21121-93300	PLATE, CLUTCH NOTCH	1	
23	09205-02004	SPRING PIN (2.5X12)	1	
24	09280-11001	O RING (D:2.4,ID:10.8)	1	
25	25232-96302	MAGNET, GEAR CASE	1	

FIG.201D

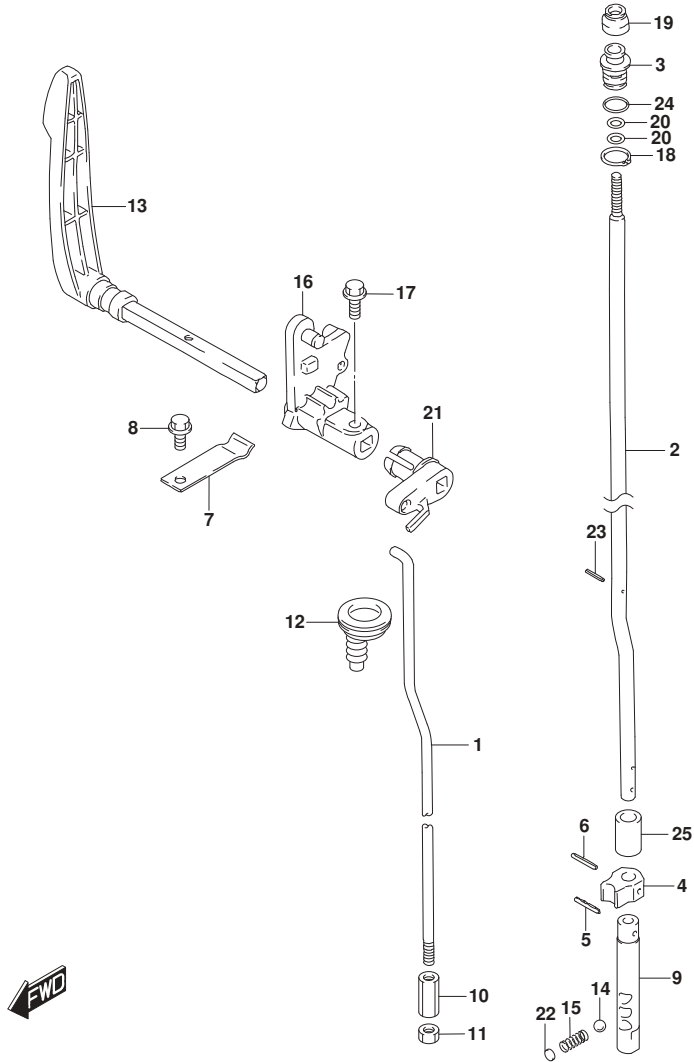


FIG.201D (1-E-14) CLUTCH (DT40WR P90)

REF NO.	PART NO.	DESCRIPTION	Q'TY	REMARKS
1	23111-92L00	ROD, CLUTCH	1	
2-1	25111-92L50	ROD, SHIFT (S)	1	W/TRANSOM(S)
2-2	25111-92L60	ROD, SHIFT (L)	1	W/TRANSOM(L)
2-3	25111-92L70	ROD, SHIFT (L2)	1	W/TRANSOM(L2)
3	25211-92L00	GUIDE, SHIFT ROD	1	
4	25212-94401	GUIDE, SHIFT ROD LOWER	1	
5	09205-03021	SPRING PIN (3.5X12)	1	
6	09205-02013	SPRING PIN (2.5X16)	1	
7	23213-94400	SPRING, CLUTCH NOTCH	1	
8	01550-06127	BOLT	1	
9	25311-94402	CAM SHIFT	1	
10	23311-95J00	CONNECTOR, CLUTCH ROD	1	
11	29141-93J00	NUT	1	
12	23131-92L00	BOOT, CLUTCH	1	
13	21110-94402	LEVER, CLUTCH	1	
14	09260-10005	BALL	1	
15	09440-07078	SPRING	1	
16	21121-92L00	PLATE, CLUTCH	1	
17	01550-05167	SCREW	1	
18	08331-3115A	CIRCLIP	1	
19	25223-94400	SEAL, SHIFT ROD	1	
20	09280-08005	O RING (D:1.7,ID:7.7)	1	
21	23211-94401	ARM, CLUTCH ROD	1	
22	21121-93300	PLATE, CLUTCH NOTCH	1	
23	09205-02004	SPRING PIN (2.5X12)	1	
24	09280-11001	O RING (D:2.4,ID:10.8)	1	
25	25232-96302	MAGNET, GEAR CASE	1	

FIG.201E

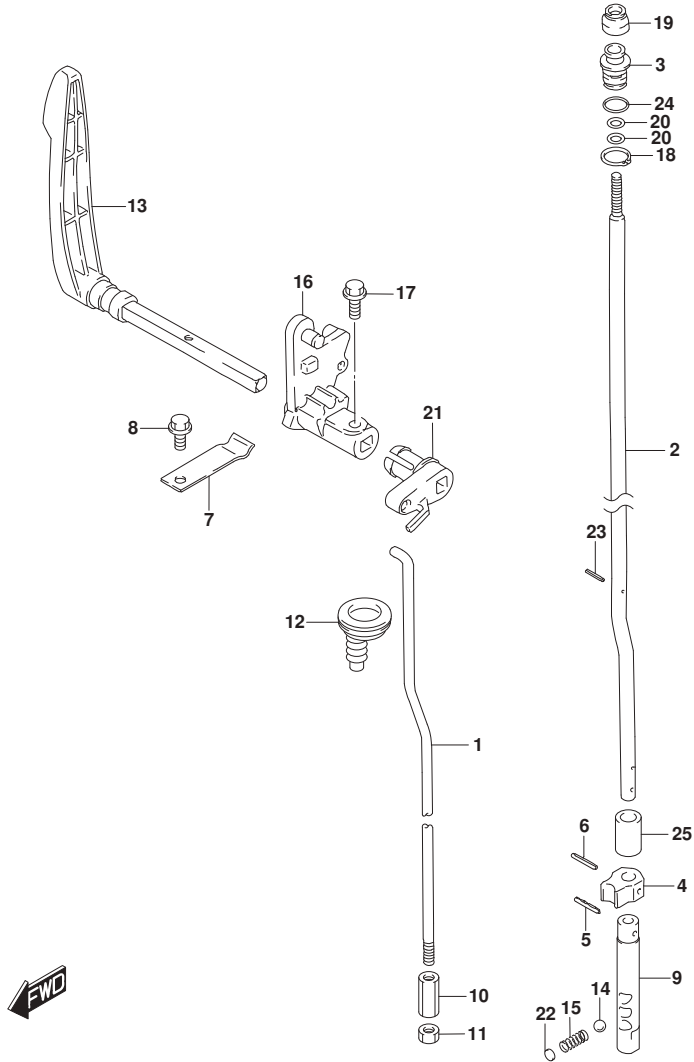


FIG.201E (1-E-15) CLUTCH (DT40WK P40)

REF NO.	PART NO.	DESCRIPTION	Q'TY	REMARKS
1	23111-92L00	ROD, CLUTCH	1	
2-1	25111-92L50	ROD, SHIFT (S)	1	W/TRANSOM(S)
2-2	25111-92L60	ROD, SHIFT (L)	1	W/TRANSOM(L)
2-3	25111-92L70	ROD, SHIFT (L2)	1	W/TRANSOM(L2)
3	25211-92L00	GUIDE, SHIFT ROD	1	
4	25212-94401	GUIDE, SHIFT ROD LOWER	1	
5	09205-03021	SPRING PIN (3.5X12)	1	
6	09205-02013	SPRING PIN (2.5X16)	1	
7	23213-94400	SPRING, CLUTCH NOTCH	1	
8	01550-06127	BOLT	1	
9	25311-94402	CAM SHIFT	1	
10	23311-95J00	CONNECTOR, CLUTCH ROD	1	
11	29141-93J00	NUT	1	
12	23131-92L00	BOOT, CLUTCH	1	
13	21110-94402	LEVER, CLUTCH	1	
14	09260-10005	BALL	1	
15	09440-07078	SPRING	1	
16	21121-92L00	PLATE, CLUTCH	1	
17	01550-05167	SCREW	1	
18	08331-3115A	CIRCLIP	1	
19	25223-94400	SEAL, SHIFT ROD	1	
20	09280-08005	O RING (D:1.7,ID:7.7)	1	
21	23211-94401	ARM, CLUTCH ROD	1	
22	21121-93300	PLATE, CLUTCH NOTCH	1	
23	09205-02004	SPRING PIN (2.5X12)	1	
24	09280-11001	O RING (D:2.4,ID:10.8)	1	
25	25232-96302	MAGNET, GEAR CASE	1	

FIG.220A

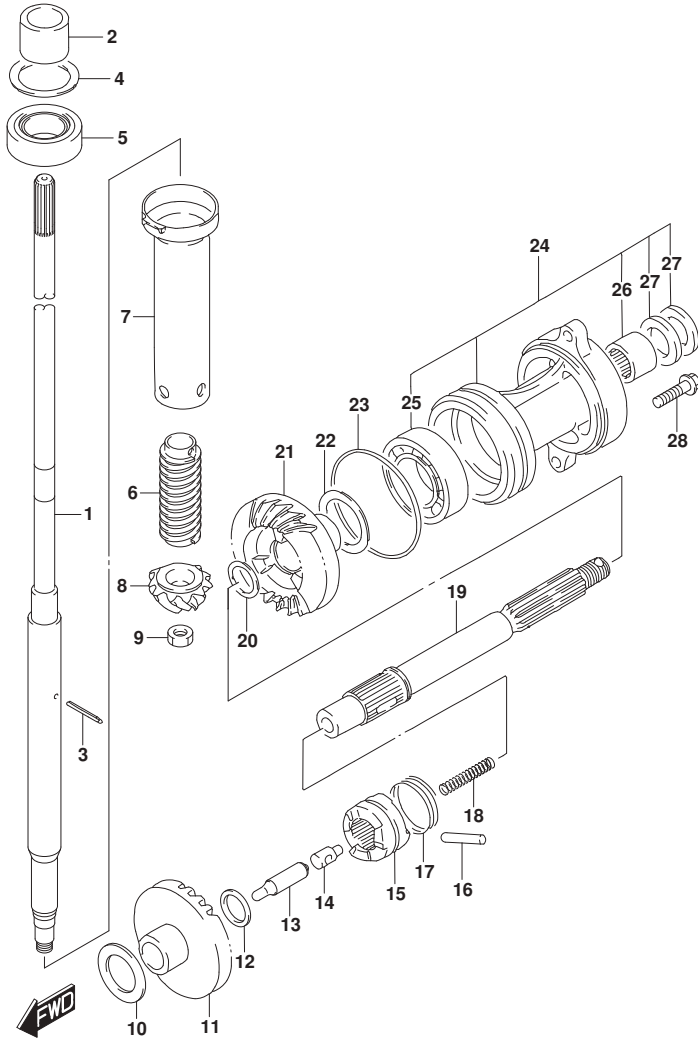


FIG.220A (1-F-2) TRANSMISSION (DT40W P40)

REF NO.	PART NO.	DESCRIPTION	Q'TY	REMARKS
1-1	57110-92L60	SHAFT, DRIVE (S)	1	W/TRANSOM(S)
1-2	57110-92L70	SHAFT, DRIVE (L)	1	W/TRANSOM(L)
1-3	57110-92L50	SHAFT, DRIVE (L2)	1	W/TRANSOM(L2)
2	57130-94301	BUSH, DRIVE SHAFT	1	W/TRANSOM(L) W/TRANSOM(L2)
3	09205-03019	SPRING PIN (3X10)	1	
4-1	09181-35101	SHIM (T:0.50)	AR	
4-2	09181-33001	SHIM (T:0.55)	AR	
4-3	09181-33002	SHIM (T:0.60)	AR	
4-4	09181-33003	SHIM (T:0.65)	AR	
4-5	09181-33004	SHIM (T:0.70)	AR	
4-6	09181-33005	SHIM (T:0.75)	AR	
4-7	09181-33006	SHIM (T:0.80)	AR	
4-8	09181-33007	SHIM (T:0.85)	AR	
4-9	09181-33008	SHIM (T:0.90)	AR	
4-10	09181-33009	SHIM (T:0.95)	AR	
4-11	09181-35110	SHIM (T:1.00)	AR	
5	09265-20015	BEARING (20X42X15)	1	
6	57133-88L01	COLLAR, DRIVE SHAFT	1	
7	57133-92L00	HOUSING, DRIVE SHAFT SPRING	1	
8	57311-94402	PINION (NT:11)	1	
9	09140-12034	NUT	1	
10-1	09181-30186	SHIM (T:0.5)	AR	
10-2	09181-30187	SHIM (T:0.6)	AR	
10-3	09181-30188	SHIM (T:0.7)	AR	
10-4	09181-30190	SHIM (T:0.8)	AR	
10-5	09181-30192	SHIM (T:0.9)	AR	
11	57510-94402	GEAR, FORWARD (NT:23)	1	
12	08211-20263	THRUST WASHER	AR	
13	57631-95303	ROD, PUSH	1	
14	57634-88L00	PIN	1	
15	57621-92L10	SHIFTER, CLUTCH DOG	1	
16	09202-05022	PIN (5.5X38.5)	1	
17	09440-40002	SPRING	1	

FIG.220A

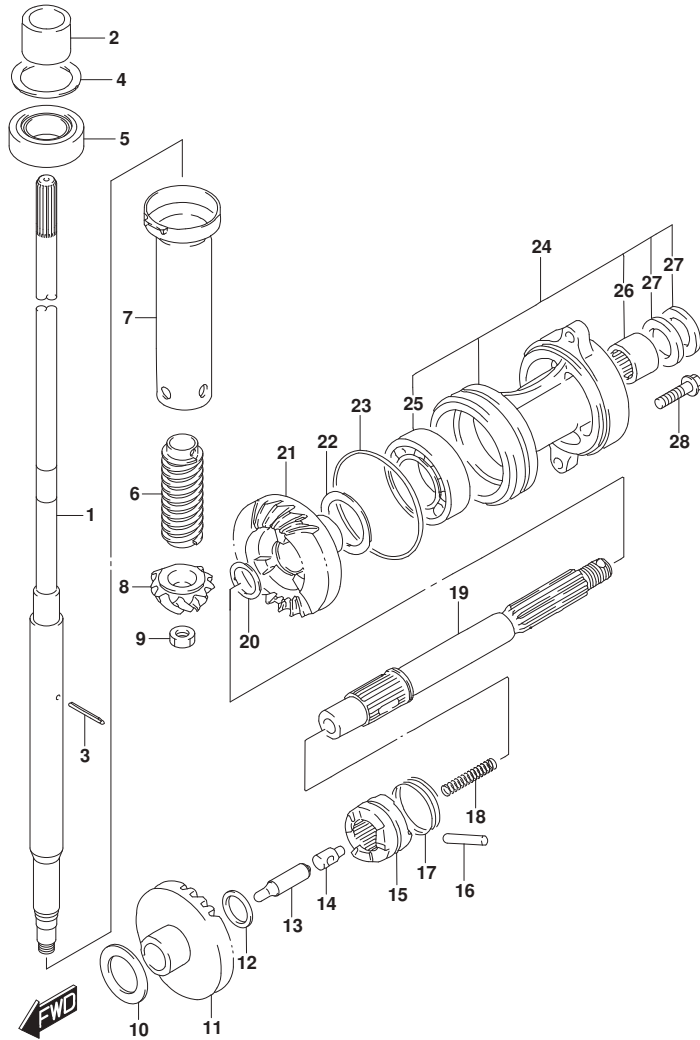
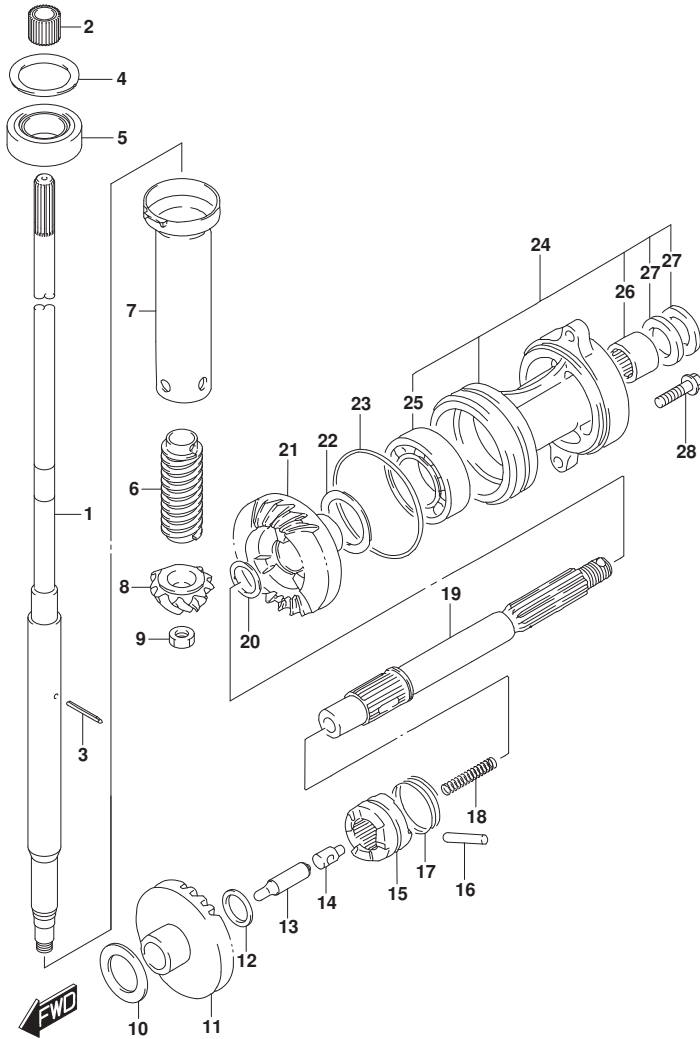


FIG.220A (1-F-3) TRANSMISSION (DT40W P40)

REF NO.	PART NO.	DESCRIPTION	Q'TY	REMARKS
18	09440-08043	SPRING	1	
19	57610-92L10	SHAFT, PROPELLER	1	
20-1	09160-22018	WASHER (T:1.8)	AR	
20-2	09160-22019	WASHER (T:1.9)	AR	
20-3	09160-22020	WASHER (T:2.0)	AR	
20-4	09160-22021	WASHER (T:2.1)	AR	
20-5	09160-22022	WASHER (T:2.2)	AR	
20-6	09160-22023	WASHER (T:2.3)	AR	
21	57521-94401	GEAR, REVERSE (NT:23)	1	
22-1	08221-35455	SHIM (T:0.5)	AR	
22-2	09181-35131	SHIM (T:0.6)	AR	
22-3	09181-35132	SHIM (T:0.7)	AR	
22-4	08221-35456	SHIM (T:0.8)	AR	
22-5	09181-35136	SHIM (T:0.9)	AR	
22-6	08211-35451	WASHER (T:1.0)	AR	
23	09280-75001	O RING (D:3.3, ID:75)	1	
24	56120-92L10-0EP	HOUSING, PROPELLER SHAFT BRG (BLACK)	1	
25	09262-35070	.BEARING (35X62X14)	1	
26	09263-22020	.BEARING (22.2X28.5X19)	1	
27	09289-22L01	.OIL SEAL (22X35X5)	2	
28	09116-08151	BOLT (8X30)	2	

FIG.220B



DT40W_P40_016_220B
TRANSMISSION

FIG.220B (1-F-4) TRANSMISSION (DT40W P90)

REF NO.	PART NO.	DESCRIPTION	Q'TY	REMARKS
1-1	57110-92L60	SHAFT, DRIVE (S)	1	W/TRANSOM(S)
1-2	57110-92L70	SHAFT, DRIVE (L)	1	W/TRANSOM(L)
1-3	57110-92L50	SHAFT, DRIVE (L2)	1	W/TRANSOM(L2)
2	57130-94301	BUSH, DRIVE SHAFT	1	W/TRANSOM(L) W/TRANSOM(L2)
3	09205-03019	SPRING PIN (3X10)	1	
4-1	09181-35101	SHIM (T:0.50)	AR	
4-2	09181-33001	SHIM (T:0.55)	AR	
4-3	09181-33002	SHIM (T:0.60)	AR	
4-4	09181-33003	SHIM (T:0.65)	AR	
4-5	09181-33004	SHIM (T:0.70)	AR	
4-6	09181-33005	SHIM (T:0.75)	AR	
4-7	09181-33006	SHIM (T:0.80)	AR	
4-8	09181-33007	SHIM (T:0.85)	AR	
4-9	09181-33008	SHIM (T:0.90)	AR	
4-10	09181-33009	SHIM (T:0.95)	AR	
4-11	09181-35110	SHIM (T:1.00)	AR	
5	09265-20015	BEARING (20X42X15)	1	
6	57133-88L01	COLLAR, DRIVE SHAFT	1	
7	57133-92L00	HOUSING, DRIVE SHAFT SPRING	1	
8	57311-94402	PINION (NT:11)	1	
9	09140-12034	NUT	1	
10-1	09181-30186	SHIM (T:0.5)	AR	
10-2	09181-30187	SHIM (T:0.6)	AR	
10-3	09181-30188	SHIM (T:0.7)	AR	
10-4	09181-30190	SHIM (T:0.8)	AR	
10-5	09181-30192	SHIM (T:0.9)	AR	
11	57510-94402	GEAR, FORWARD (NT:23)	1	
12	08211-20263	THRUST WASHER	AR	
13	57631-95303	ROD, PUSH	1	
14	57634-88L00	PIN	1	
15	57621-92L10	SHIFTER, CLUTCH DOG	1	
16	09202-05022	PIN (5.5X38.5)	1	
17	09440-40002	SPRING	1	

DT40W_P40_016

FIG.220B

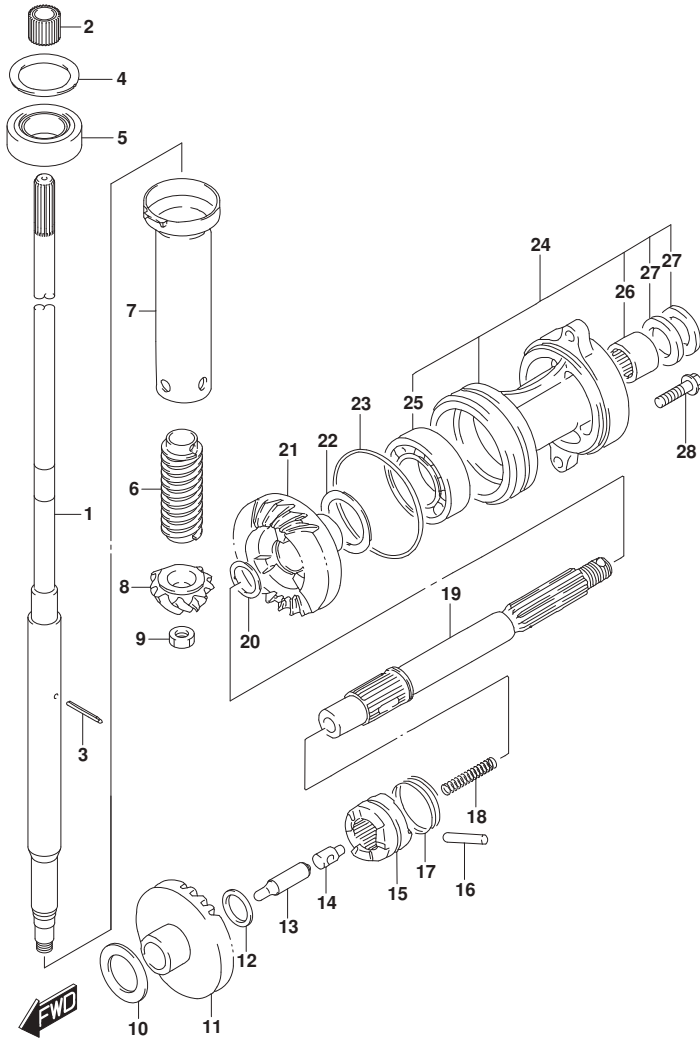
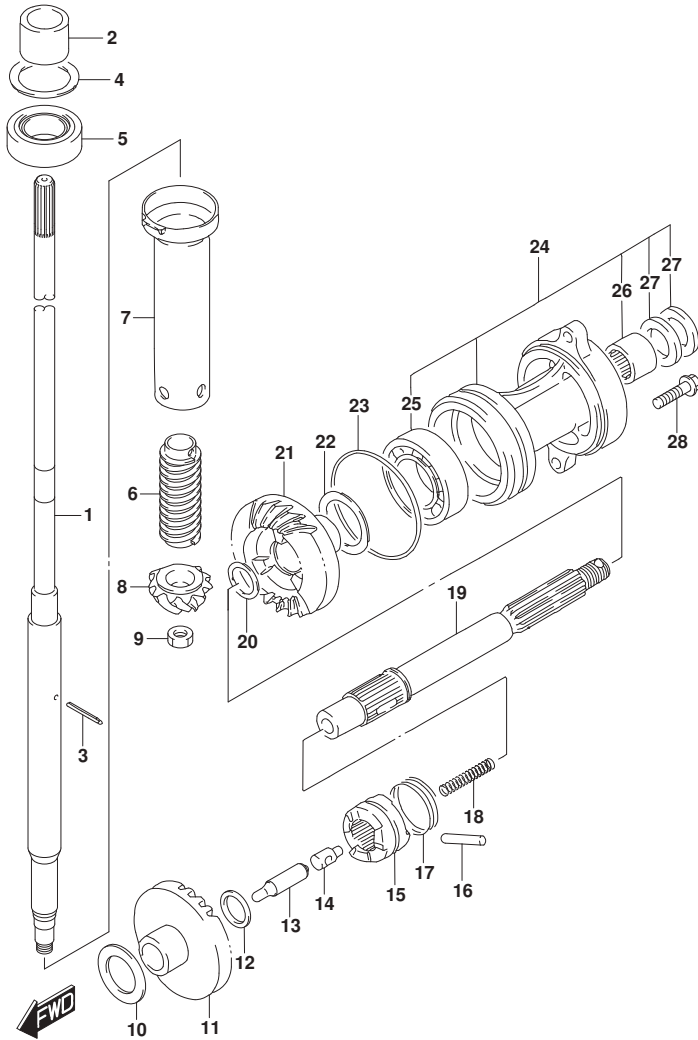


FIG.220B (1-F-5) TRANSMISSION (DT40W P90)

REF NO.	PART NO.	DESCRIPTION	Q'TY	REMARKS
18	09440-08043	SPRING	1	
19	57610-92L10	SHAFT, PROPELLER	1	
20-1	09160-22018	WASHER (T:1.8)	AR	
20-2	09160-22019	WASHER (T:1.9)	AR	
20-3	09160-22020	WASHER (T:2.0)	AR	
20-4	09160-22021	WASHER (T:2.1)	AR	
20-5	09160-22022	WASHER (T:2.2)	AR	
20-6	09160-22023	WASHER (T:2.3)	AR	
21	57521-94401	GEAR, REVERSE (NT:23)	1	
22-1	08221-35455	SHIM (T:0.5)	AR	
22-2	09181-35131	SHIM (T:0.6)	AR	
22-3	09181-35132	SHIM (T:0.7)	AR	
22-4	08221-35456	SHIM (T:0.8)	AR	
22-5	09181-35136	SHIM (T:0.9)	AR	
22-6	08211-35451	WASHER (T:1.0)	AR	
23	09280-75001	O RING (D:3.3, ID:75)	1	
24	56120-92L10-0EP	HOUSING, PROPELLER SHAFT BRG (BLACK)	1	
25	09262-35070	.BEARING (35X62X14)	1	
26	09263-22020	.BEARING (22.2X28.5X19)	1	
27	09289-22L01	.OIL SEAL (22X35X5)	2	
28	09116-08151	BOLT (8X30)	2	

FIG.220C



DT40W_P40_016_220C
TRANSMISSION

FIG.220C (1-F-6) TRANSMISSION (DT40WR P40)

REF NO.	PART NO.	DESCRIPTION	Q'TY	REMARKS
1-1	57110-92L70	SHAFT, DRIVE (L)	1	W/TRANSOM(L)
1-2	57110-92L50	SHAFT, DRIVE (L2)	1	W/TRANSOM(L2)
2	57130-94301	BUSH, DRIVE SHAFT	1	W/TRANSOM(L) W/TRANSOM(L2)
3	09205-03019	SPRING PIN (3X10)	1	
4-1	09181-35101	SHIM (T:0.50)	AR	
4-2	09181-33001	SHIM (T:0.55)	AR	
4-3	09181-33002	SHIM (T:0.60)	AR	
4-4	09181-33003	SHIM (T:0.65)	AR	
4-5	09181-33004	SHIM (T:0.70)	AR	
4-6	09181-33005	SHIM (T:0.75)	AR	
4-7	09181-33006	SHIM (T:0.80)	AR	
4-8	09181-33007	SHIM (T:0.85)	AR	
4-9	09181-33008	SHIM (T:0.90)	AR	
4-10	09181-33009	SHIM (T:0.95)	AR	
4-11	09181-35110	SHIM (T:1.00)	AR	
5	09265-20015	BEARING (20X42X15)	1	
6	57133-88L01	COLLAR, DRIVE SHAFT	1	
7	57133-92L00	HOUSING, DRIVE SHAFT SPRING	1	
8	57311-94402	PINION (NT:11)	1	
9	09140-12034	NUT	1	
10-1	09181-30186	SHIM (T:0.5)	AR	
10-2	09181-30187	SHIM (T:0.6)	AR	
10-3	09181-30188	SHIM (T:0.7)	AR	
10-4	09181-30190	SHIM (T:0.8)	AR	
10-5	09181-30192	SHIM (T:0.9)	AR	
11	57510-94402	GEAR, FORWARD (NT:23)	1	
12	08211-20263	THRUST WASHER	AR	
13	57631-95303	ROD, PUSH	1	
14	57634-88L00	PIN	1	
15	57621-92L10	SHIFTER, CLUTCH DOG	1	
16	09202-05022	PIN (5.5X38.5)	1	
17	09440-40002	SPRING	1	
18	09440-08043	SPRING	1	

DT40W_P40_016

FIG.220C

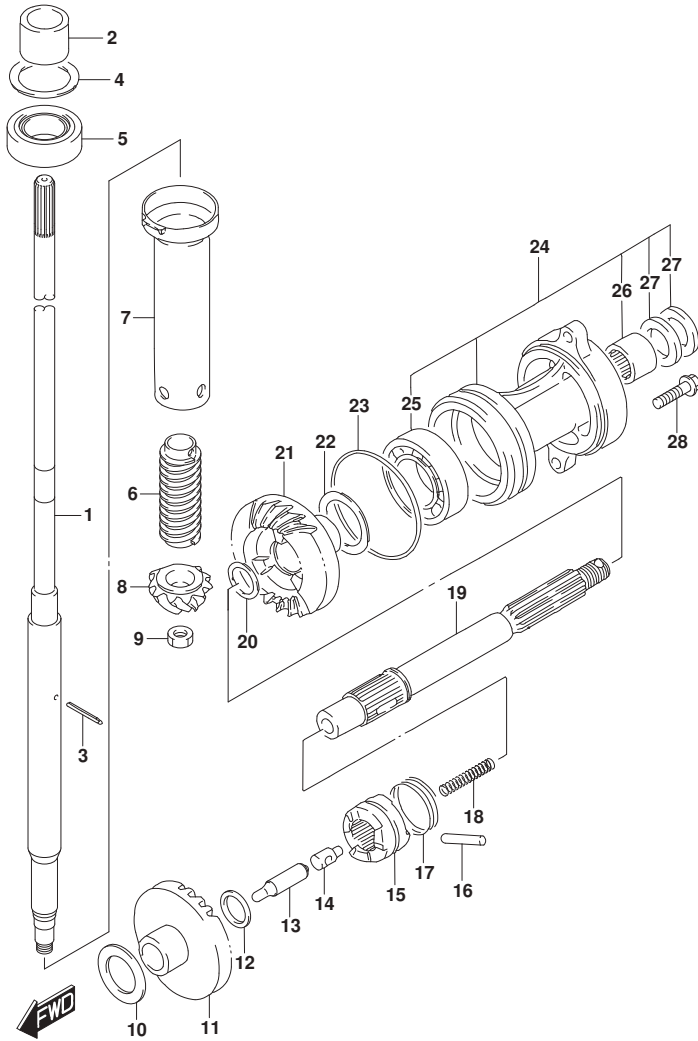


FIG.220C (1-F-7) TRANSMISSION (DT40WR P40)

REF NO.	PART NO.	DESCRIPTION	Q'TY	REMARKS
19	57610-92L10	SHAFT, PROPELLER	1	
20-1	09160-22018	WASHER (T:1.8)	AR	
20-2	09160-22019	WASHER (T:1.9)	AR	
20-3	09160-22020	WASHER (T:2.0)	AR	
20-4	09160-22021	WASHER (T:2.1)	AR	
20-5	09160-22022	WASHER (T:2.2)	AR	
20-6	09160-22023	WASHER (T:2.3)	AR	
21	57521-94401	GEAR, REVERSE (NT:23)	1	
22-1	08221-35455	SHIM (T:0.5)	AR	
22-2	09181-35131	SHIM (T:0.6)	AR	
22-3	09181-35132	SHIM (T:0.7)	AR	
22-4	08221-35456	SHIM (T:0.8)	AR	
22-5	09181-35136	SHIM (T:0.9)	AR	
22-6	08211-35451	WASHER (T:1.0)	AR	
23	09280-75001	O RING (D:3.3,ID:75)	1	
24	56120-92L10-0EP	HOUSING, PROPELLER SHAFT BRG (BLACK)	1	
25	09262-35070	.BEARING (35X62X14)	1	
26	09263-22020	.BEARING (22.2X28.5X19)	1	
27	09289-22L01	.OIL SEAL (22X35X5)	2	
28	09116-08151	BOLT (8X30)	2	

FIG.220D

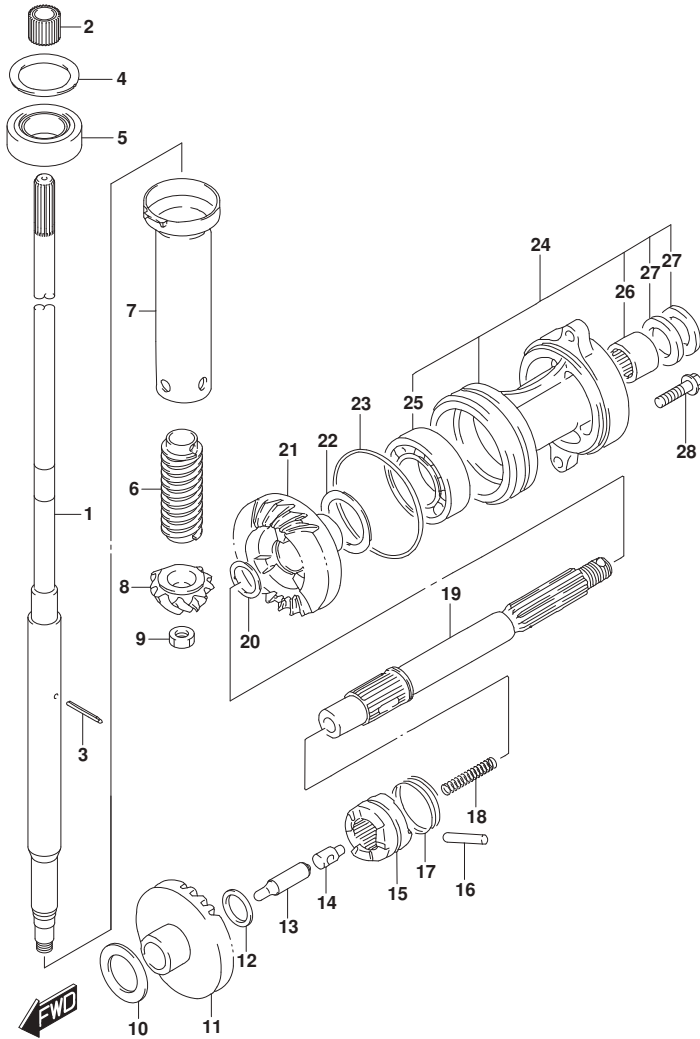


FIG.220D (1-F-8) TRANSMISSION (DT40WR P90)

REF NO.	PART NO.	DESCRIPTION	Q'TY	REMARKS
1-1	57110-92L60	SHAFT, DRIVE (S)	1	W/TRANSOM(S)
1-2	57110-92L70	SHAFT, DRIVE (L)	1	W/TRANSOM(L)
1-3	57110-92L50	SHAFT, DRIVE (L2)	1	W/TRANSOM(L2)
2	57130-94301	BUSH, DRIVE SHAFT	1	W/TRANSOM(L) W/TRANSOM(L2)
3	09205-03019	SPRING PIN (3X10)	1	
4-1	09181-35101	SHIM (T:0.50)	AR	
4-2	09181-33001	SHIM (T:0.55)	AR	
4-3	09181-33002	SHIM (T:0.60)	AR	
4-4	09181-33003	SHIM (T:0.65)	AR	
4-5	09181-33004	SHIM (T:0.70)	AR	
4-6	09181-33005	SHIM (T:0.75)	AR	
4-7	09181-33006	SHIM (T:0.80)	AR	
4-8	09181-33007	SHIM (T:0.85)	AR	
4-9	09181-33008	SHIM (T:0.90)	AR	
4-10	09181-33009	SHIM (T:0.95)	AR	
4-11	09181-35110	SHIM (T:1.00)	AR	
5	09265-20015	BEARING (20X42X15)	1	
6	57133-88L01	COLLAR, DRIVE SHAFT	1	
7	57133-92L00	HOUSING, DRIVE SHAFT SPRING	1	
8	57311-94402	PINION (NT:11)	1	
9	09140-12034	NUT	1	
10-1	09181-30186	SHIM (T:0.5)	AR	
10-2	09181-30187	SHIM (T:0.6)	AR	
10-3	09181-30188	SHIM (T:0.7)	AR	
10-4	09181-30190	SHIM (T:0.8)	AR	
10-5	09181-30192	SHIM (T:0.9)	AR	
11	57510-94402	GEAR, FORWARD (NT:23)	1	
12	08211-20263	THRUST WASHER	AR	
13	57631-95303	ROD, PUSH	1	
14	57634-88L00	PIN	1	
15	57621-92L10	SHIFTER, CLUTCH DOG	1	
16	09202-05022	PIN (5.5X38.5)	1	
17	09440-40002	SPRING	1	

FIG.220D

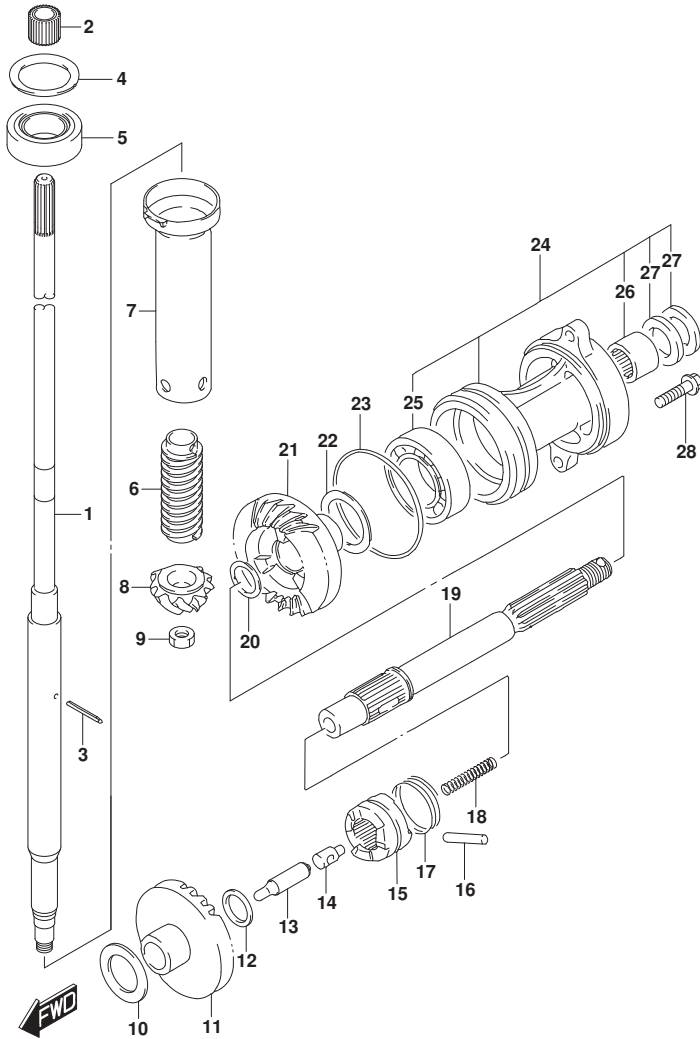
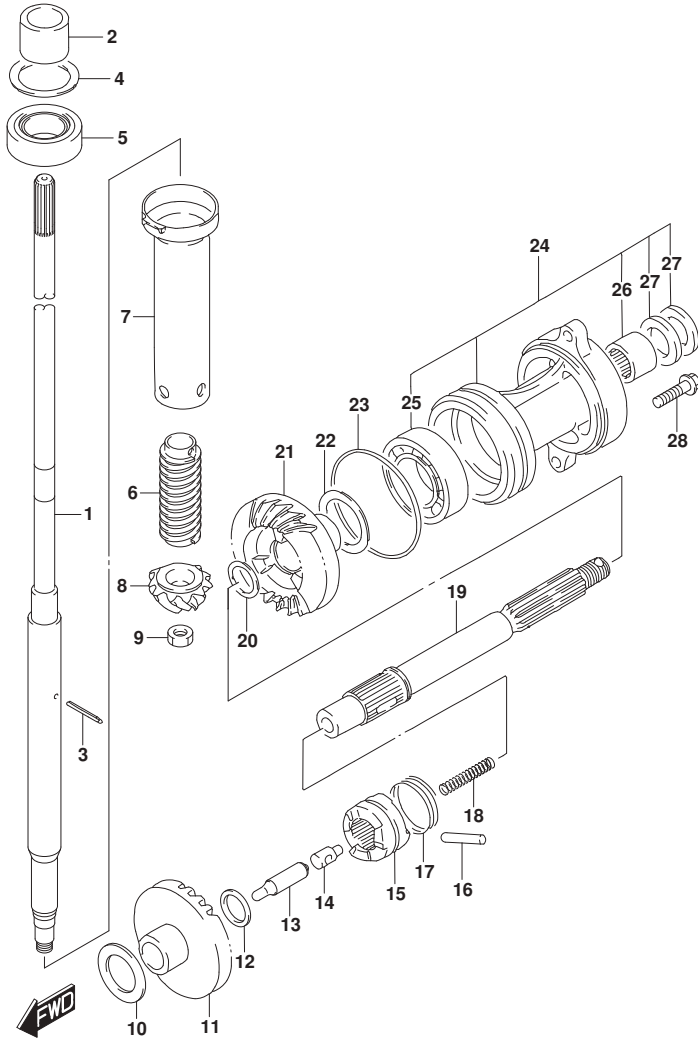


FIG.220D (1-F-9) TRANSMISSION (DT40WR P90)

REF NO.	PART NO.	DESCRIPTION	Q'TY	REMARKS
18	09440-08043	SPRING	1	
19	57610-92L10	SHAFT, PROPELLER	1	
20-1	09160-22018	WASHER (T:1.8)	AR	
20-2	09160-22019	WASHER (T:1.9)	AR	
20-3	09160-22020	WASHER (T:2.0)	AR	
20-4	09160-22021	WASHER (T:2.1)	AR	
20-5	09160-22022	WASHER (T:2.2)	AR	
20-6	09160-22023	WASHER (T:2.3)	AR	
21	57521-94401	GEAR, REVERSE (NT:23)	1	
22-1	08221-35455	SHIM (T:0.5)	AR	
22-2	09181-35131	SHIM (T:0.6)	AR	
22-3	09181-35132	SHIM (T:0.7)	AR	
22-4	08221-35456	SHIM (T:0.8)	AR	
22-5	09181-35136	SHIM (T:0.9)	AR	
22-6	08211-35451	WASHER (T:1.0)	AR	
23	09280-75001	O RING (D:3.3, ID:75)	1	
24	56120-92L10-0EP	HOUSING, PROPELLER SHAFT BRG (BLACK)	1	
25	09262-35070	.BEARING (35X62X14)	1	
26	09263-22020	.BEARING (22.2X28.5X19)	1	
27	09289-22L01	.OIL SEAL (22X35X5)	2	
28	09116-08151	BOLT (8X30)	2	

FIG.220E



DT40W_P40_016_220E
TRANSMISSION

FIG.220E (1-F-10) TRANSMISSION (DT40WK P40)

REF NO.	PART NO.	DESCRIPTION	Q'TY	REMARKS
1-1	57110-92L60	SHAFT, DRIVE (S)	1	W/TRANSOM(S)
1-2	57110-92L70	SHAFT, DRIVE (L)	1	W/TRANSOM(L)
1-3	57110-92L50	SHAFT, DRIVE (L2)	1	W/TRANSOM(L2)
2	57130-94301	BUSH, DRIVE SHAFT	1	W/TRANSOM(L) W/TRANSOM(L2)
3	09205-03019	SPRING PIN (3X10)	1	
4-1	09181-35101	SHIM (T:0.50)	AR	
4-2	09181-33001	SHIM (T:0.55)	AR	
4-3	09181-33002	SHIM (T:0.60)	AR	
4-4	09181-33003	SHIM (T:0.65)	AR	
4-5	09181-33004	SHIM (T:0.70)	AR	
4-6	09181-33005	SHIM (T:0.75)	AR	
4-7	09181-33006	SHIM (T:0.80)	AR	
4-8	09181-33007	SHIM (T:0.85)	AR	
4-9	09181-33008	SHIM (T:0.90)	AR	
4-10	09181-33009	SHIM (T:0.95)	AR	
4-11	09181-35110	SHIM (T:1.00)	AR	
5	09265-20015	BEARING (20X42X15)	1	
6	57133-88L01	COLLAR, DRIVE SHAFT	1	
7	57133-92L00	HOUSING, DRIVE SHAFT SPRING	1	
8	57311-94402	PINION (NT:11)	1	
9	09140-12034	NUT	1	
10-1	09181-30186	SHIM (T:0.5)	AR	
10-2	09181-30187	SHIM (T:0.6)	AR	
10-3	09181-30188	SHIM (T:0.7)	AR	
10-4	09181-30190	SHIM (T:0.8)	AR	
10-5	09181-30192	SHIM (T:0.9)	AR	
11	57510-94402	GEAR, FORWARD (NT:23)	1	
12	08211-20263	THRUST WASHER	AR	
13	57631-95303	ROD, PUSH	1	
14	57634-88L00	PIN	1	
15	57621-92L10	SHIFTER, CLUTCH DOG	1	
16	09202-05022	PIN (5.5X38.5)	1	
17	09440-40002	SPRING	1	

DT40W_P40_016

FIG.220E

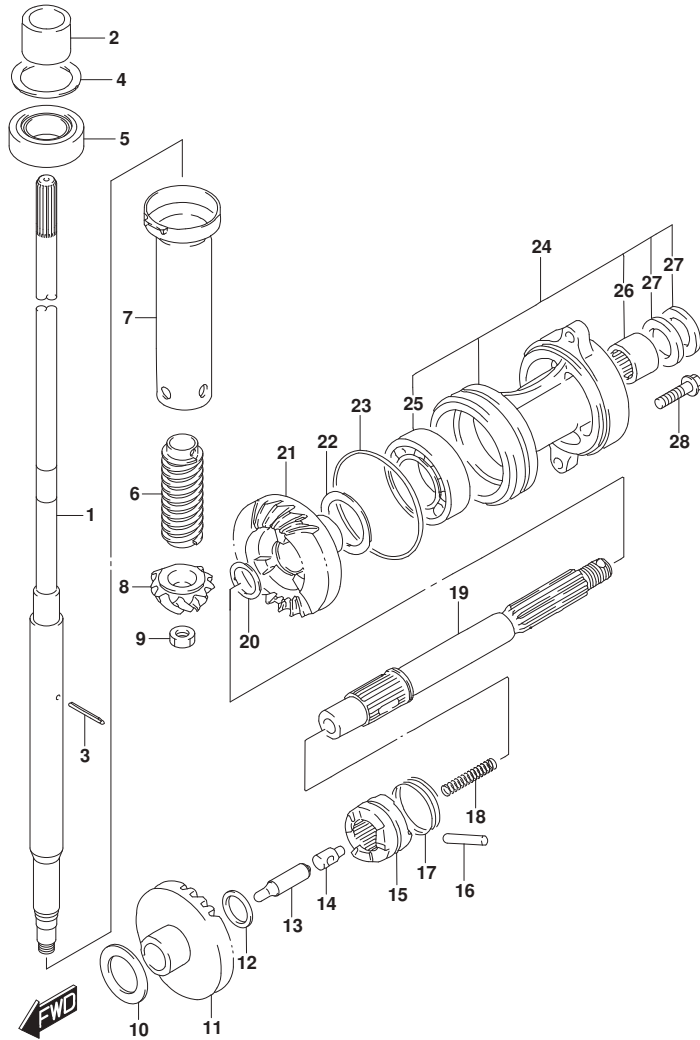


FIG.220E (1-F-11) TRANSMISSION (DT40WK P40)

REF NO.	PART NO.	DESCRIPTION	Q'TY	REMARKS
18	09440-08043	SPRING	1	
19	57610-92L10	SHAFT, PROPELLER	1	
20-1	09160-22018	WASHER (T:1.8)	AR	
20-2	09160-22019	WASHER (T:1.9)	AR	
20-3	09160-22020	WASHER (T:2.0)	AR	
20-4	09160-22021	WASHER (T:2.1)	AR	
20-5	09160-22022	WASHER (T:2.2)	AR	
20-6	09160-22023	WASHER (T:2.3)	AR	
21	57521-94401	GEAR, REVERSE (NT:23)	1	
22-1	08221-35455	SHIM (T:0.5)	AR	
22-2	09181-35131	SHIM (T:0.6)	AR	
22-3	09181-35132	SHIM (T:0.7)	AR	
22-4	08221-35456	SHIM (T:0.8)	AR	
22-5	09181-35136	SHIM (T:0.9)	AR	
22-6	08211-35451	WASHER (T:1.0)	AR	
23	09280-75001	O RING (D:3.3, ID:75)	1	
24	56120-92L10-0EP	HOUSING, PROPELLER SHAFT BRG (BLACK)	1	
25	09262-35070	.BEARING (35X62X14)	1	
26	09263-22020	.BEARING (22.2X28.5X19)	1	
27	09289-22L01	.OIL SEAL (22X35X5)	2	
28	09116-08151	BOLT (8X30)	2	

FIG.301A

FIG.301A (1-F-12) STARTING MOTOR (DT40W P40)

REF NO.	PART NO.	DESCRIPTION	Q'TY	REMARKS
1	31100-94401	MOTOR ASSY, STARTING	1	
2	31310-96300	.ARMATURE	1	
3	31320-94400	.PINION ASSY	1	
4	31312-96300	.STOPPER SET, PINION	1	
5	31360-96300	.WASHER SET	1	
6	31173-89J00	.HOLDER ASSY, BRUSH	1	
7	31131-96300	..BRUSH (+)	1	
8	31132-96300	..BRUSH (-)	1	
9	31135-89J00	..SPRING, BRUSH	2	
10	31281-93340	.BOLT	2	
11	08310-00067	NUT	1	
12	08321-01067	LOCK WASHER	1	
13	31912-92L00	BAND, STARTING MOTOR	1	
14	31918-94401	DAMPER, LOWER	1	
15	01580-08257	BOLT	2	

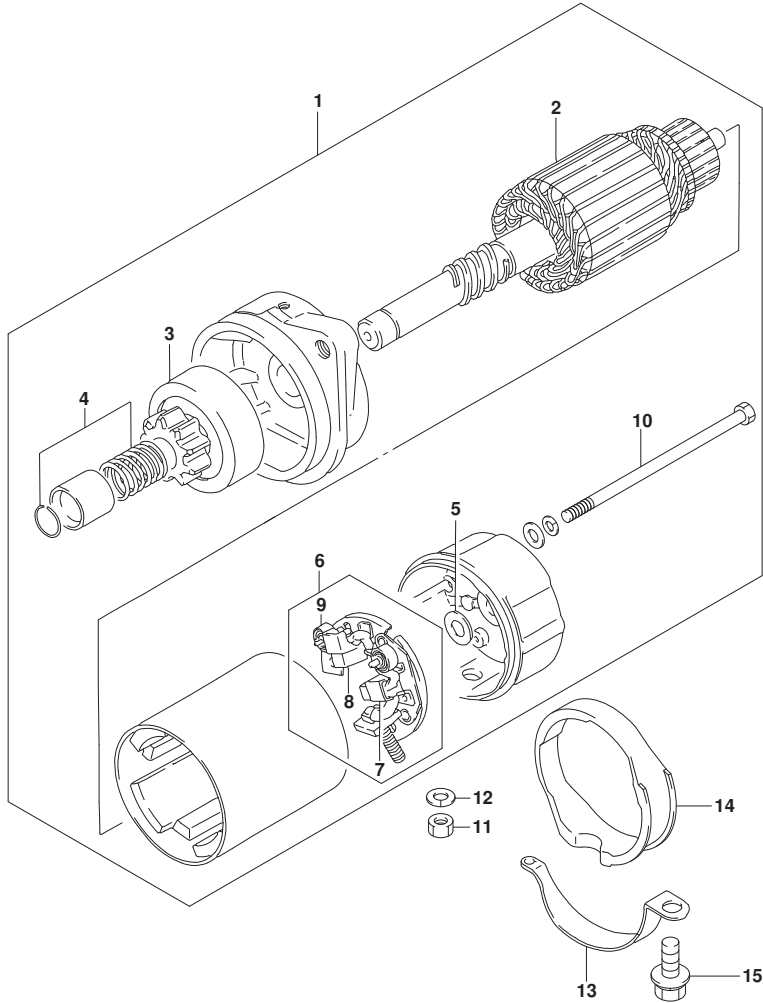


FIG.301B

FIG.301B (1-F-13) STARTING MOTOR (DT40W P90)

REF NO.	PART NO.	DESCRIPTION	Q'TY	REMARKS
1	31100-94401	MOTOR ASSY, STARTING	1	
2	31310-96300	.ARMATURE	1	
3	31320-94400	.PINION ASSY	1	
4	31312-96300	.STOPPER SET, PINION	1	
5	31360-96300	.WASHER SET	1	
6	31173-89J00	.HOLDER ASSY, BRUSH	1	
7	31131-96300	..BRUSH (+)	1	
8	31132-96300	..BRUSH (-)	1	
9	31135-89J00	..SPRING, BRUSH	2	
10	31281-93340	.BOLT	2	
11	08310-00067	NUT	1	
12	08321-01067	LOCK WASHER	1	
13	31912-92L00	BAND, STARTING MOTOR	1	
14	31918-94401	DAMPER, LOWER	1	
15	01580-08257	BOLT	2	

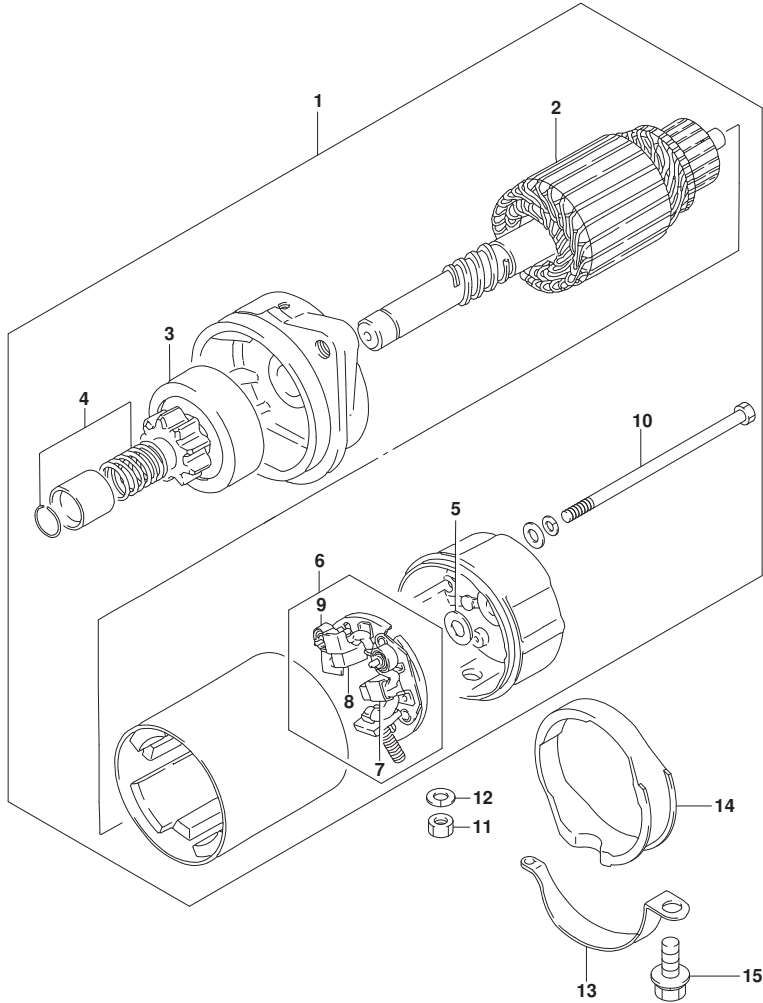


FIG.301C

FIG.301C (1-F-14) STARTING MOTOR (DT40WR P40)

REF NO.	PART NO.	DESCRIPTION	Q'TY	REMARKS
1	31100-94401	MOTOR ASSY, STARTING	1	
2	31310-96300	.ARMATURE	1	
3	31320-94400	.PINION ASSY	1	
4	31312-96300	.STOPPER SET, PINION	1	
5	31360-96300	.WASHER SET	1	
6	31173-89J00	.HOLDER ASSY, BRUSH	1	
7	31131-96300	..BRUSH (+)	1	
8	31132-96300	..BRUSH (-)	1	
9	31135-89J00	..SPRING, BRUSH	2	
10	31281-93340	.BOLT	2	
11	08310-00067	NUT	1	
12	08321-01067	LOCK WASHER	1	
13	31912-92L00	BAND, STARTING MOTOR	1	
14	31918-94401	DAMPER, LOWER	1	
15	01580-08257	BOLT	2	

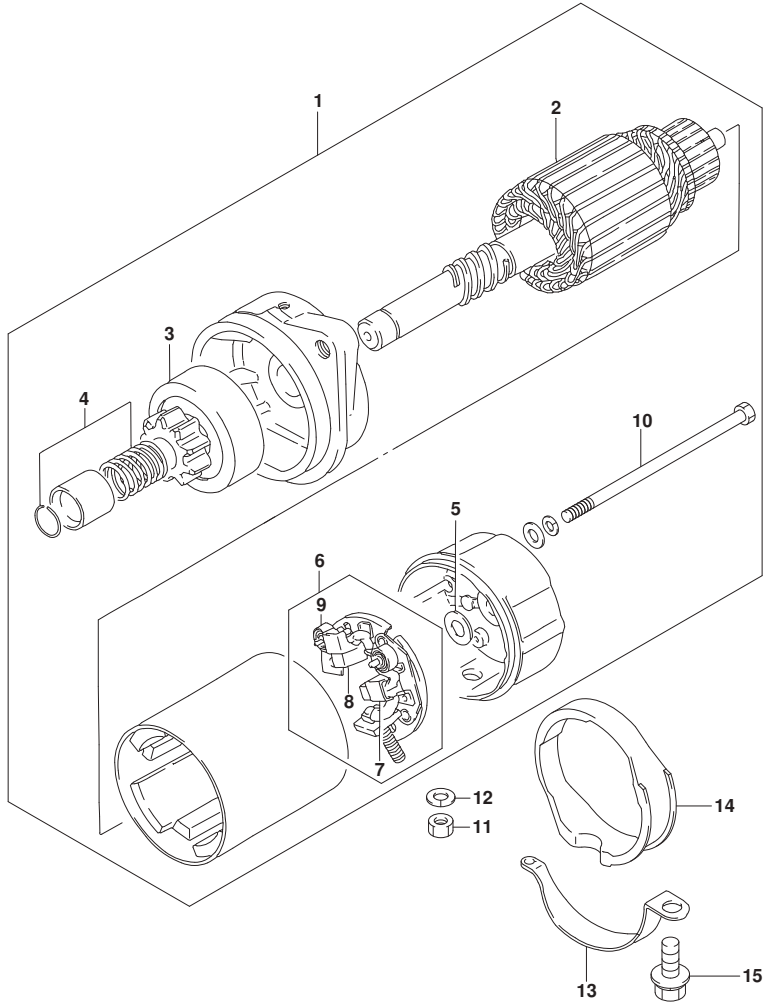


FIG.301D

FIG.301D (1-F-15) STARTING MOTOR (DT40WR P90)

REF NO.	PART NO.	DESCRIPTION	QTY	REMARKS
1	31100-94401	MOTOR ASSY, STARTING	1	
2	31310-96300	.ARMATURE	1	
3	31320-94400	.PINION ASSY	1	
4	31312-96300	.STOPPER SET, PINION	1	
5	31360-96300	.WASHER SET	1	
6	31173-89J00	.HOLDER ASSY, BRUSH	1	
7	31131-96300	..BRUSH (+)	1	
8	31132-96300	..BRUSH (-)	1	
9	31135-89J00	..SPRING, BRUSH	2	
10	31281-93340	.BOLT	2	
11	08310-00067	NUT	1	
12	08321-01067	LOCK WASHER	1	
13	31912-92L00	BAND, STARTING MOTOR	1	
14	31918-94401	DAMPER, LOWER	1	
15	01580-08257	BOLT	2	

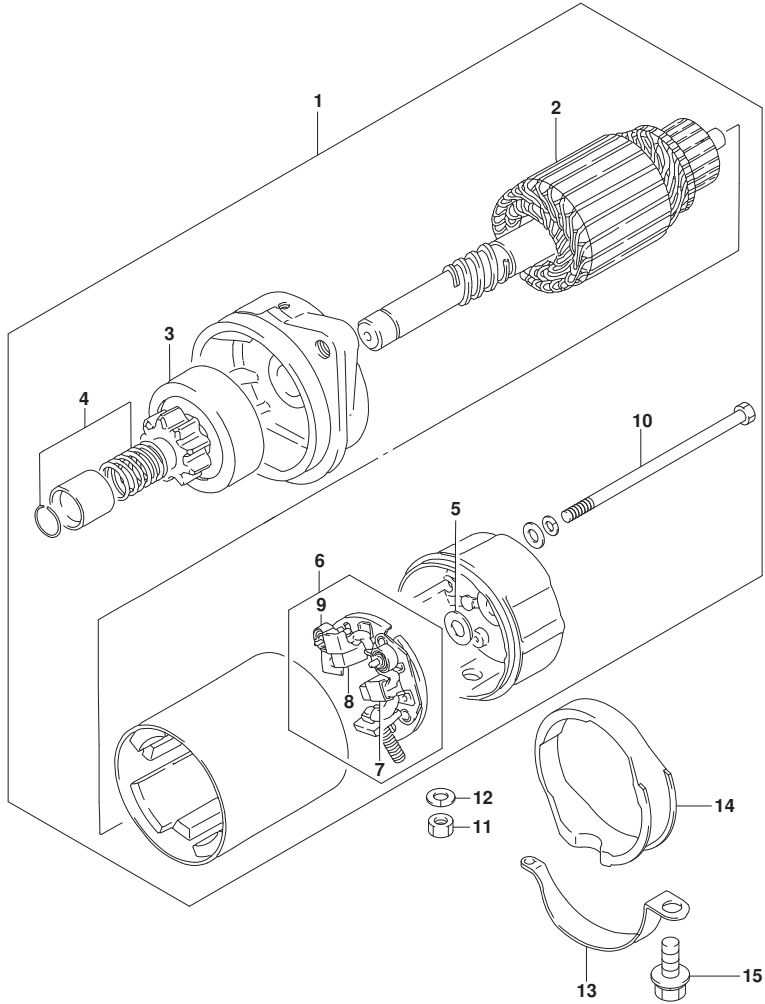


FIG.303A

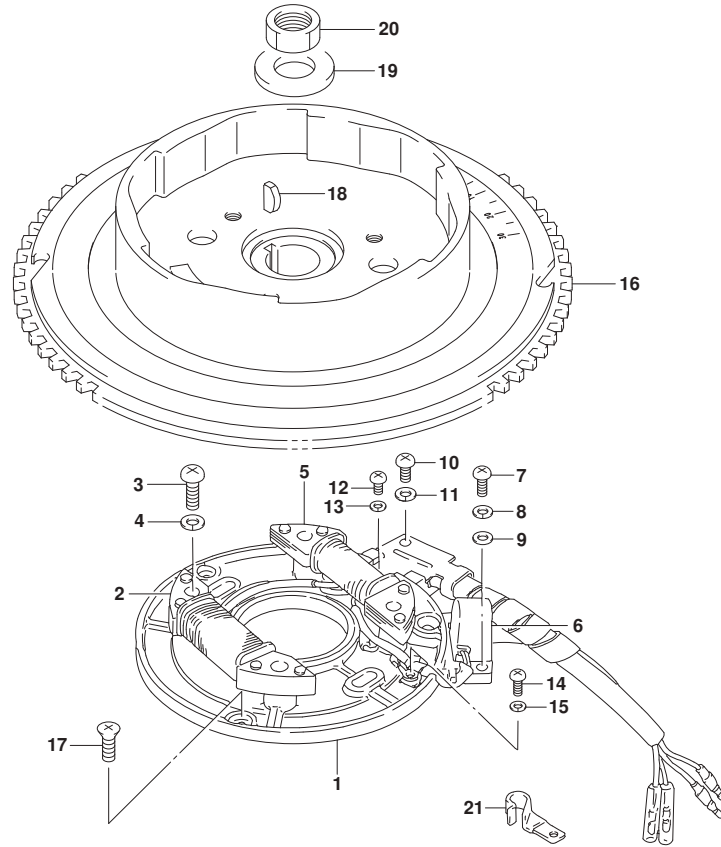


FIG.303A (1-G-2) MAGNETO (DT40W P40)

REF NO.	PART NO.	DESCRIPTION	Q'TY	REMARKS
1-1	32101-94430	STARTER ASSY	1	W/ELECTRIC STARTER
1-2	32101-92L10	STARTER ASSY	1	W/MANUAL STARTER
2	32120-94420	COIL, LIGHTING	1	
3	02112-06257	SCREW	4	
4	08321-01067	LOCK WASHER	4	
5	32140-94400	COIL, IGNITION PRIMARY	1	
6	32150-94410	SENSOR, IGNITION TIMING	1	
7	02112-05107	SCREW	2	
8	08322-01057	WASHER	2	
9	08321-0105A	LOCK WASHER	2	
10	02112-05107	SCREW	1	
11	08321-0105A	LOCK WASHER	1	
12	02112-04087	SCREW	1	
13	08321-01047	LOCK WASHER	1	
14	02112-04067	SCREW	2	
15	08321-01047	LOCK WASHER	2	
16-1	32102-92L00	FLYWHEEL	1	W/ELECTRIC STARTER
16-2	32102-92L30	FLYWHEEL	1	W/MANUAL STARTER
17	09138-05011	SCREW (5X14)	2	
18	08341-31059	KEY	1	
19	09160-18011	WASHER (18.5X35X4)	1	
20	09140-18014	NUT	1	
21	09403-10312	CLAMP	1	

FIG.303B

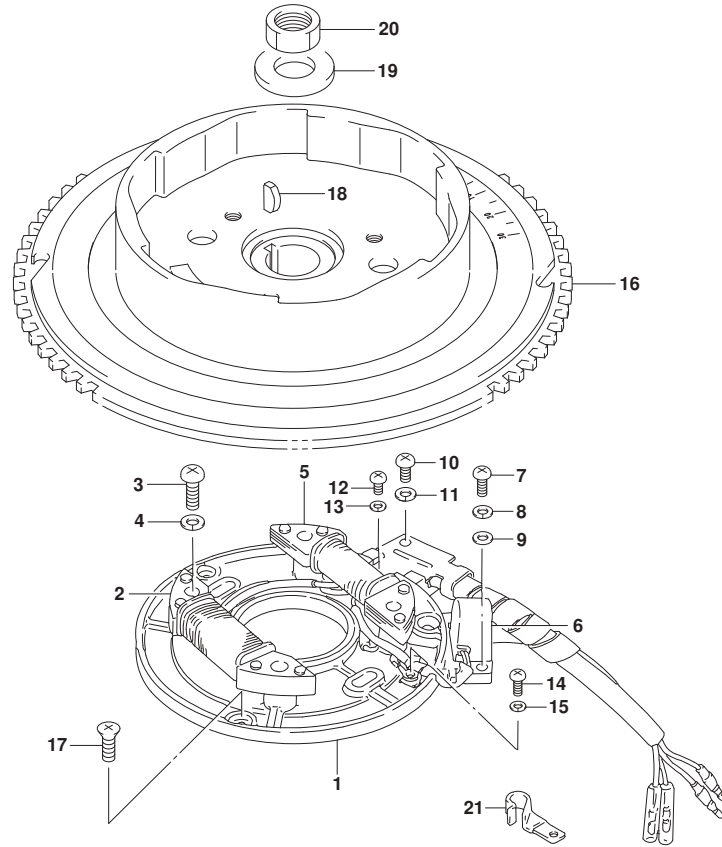


FIG.303B (1-G-3) MAGNETO (DT40W P90)

REF NO.	PART NO.	DESCRIPTION	Q'TY	REMARKS
1-1	32101-94430	STARTER ASSY	1	W/ELECTRIC STARTER
1-2	32101-92L10	STARTER ASSY	1	W/MANUAL STARTER
2	32120-94420	COIL, LIGHTING	1	
3	02112-06257	SCREW	4	
4	08321-01067	LOCK WASHER	4	
5	32140-94400	COIL, IGNITION PRIMARY	1	
6	32150-94410	SENSOR, IGNITION TIMING	1	
7	02112-05107	SCREW	2	
8	08322-01057	WASHER	2	
9	08321-0105A	LOCK WASHER	2	
10	02112-05107	SCREW	1	
11	08321-0105A	LOCK WASHER	1	
12	02112-04087	SCREW	1	
13	08321-01047	LOCK WASHER	1	
14	02112-04067	SCREW	2	
15	08321-01047	LOCK WASHER	2	
16-1	32102-92L00	FLYWHEEL	1	W/ELECTRIC STARTER
16-2	32102-92L30	FLYWHEEL	1	W/MANUAL STARTER
17	09138-05011	SCREW (5X14)	2	
18	08341-31059	KEY	1	
19	09160-18011	WASHER (18.5X35X4)	1	
20	09140-18014	NUT	1	
21	09403-10312	CLAMP	1	

FIG.303C

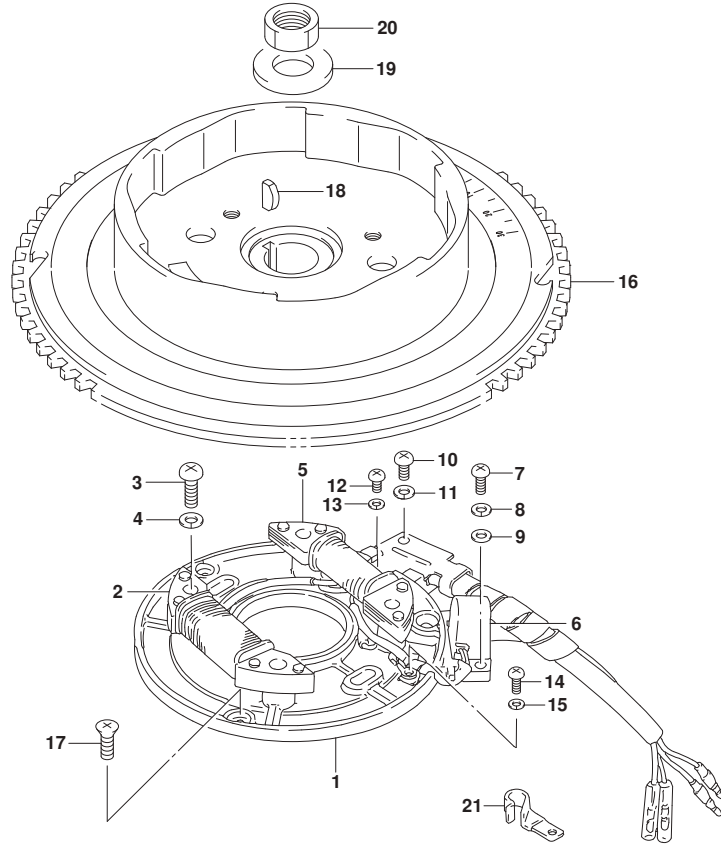


FIG.303C (1-G-4) MAGNETO (DT40WR P40)

REF NO.	PART NO.	DESCRIPTION	Q'TY	REMARKS
1	32101-94430	STARTER ASSY	1	
2	32120-94420	COIL, LIGHTING	1	
3	02112-06257	SCREW	4	
4	08321-01067	LOCK WASHER	4	
5	32140-94400	COIL, IGNITION PRIMARY	1	
6	32150-94410	SENSOR, IGNITION TIMING	1	
7	02112-05107	SCREW	2	
8	08322-01057	WASHER	2	
9	08321-0105A	LOCK WASHER	2	
10	02112-05107	SCREW	1	
11	08321-0105A	LOCK WASHER	1	
12	02112-04087	SCREW	1	
13	08321-01047	LOCK WASHER	1	
14	02112-04067	SCREW	2	
15	08321-01047	LOCK WASHER	2	
16	32102-92L00	FLYWHEEL	1	
17	09138-05011	SCREW (5X14)	2	
18	08341-31059	KEY	1	
19	09160-18011	WASHER (18.5X35X4)	1	
20	09140-18014	NUT	1	
21	09403-10312	CLAMP	1	



FIG.303D

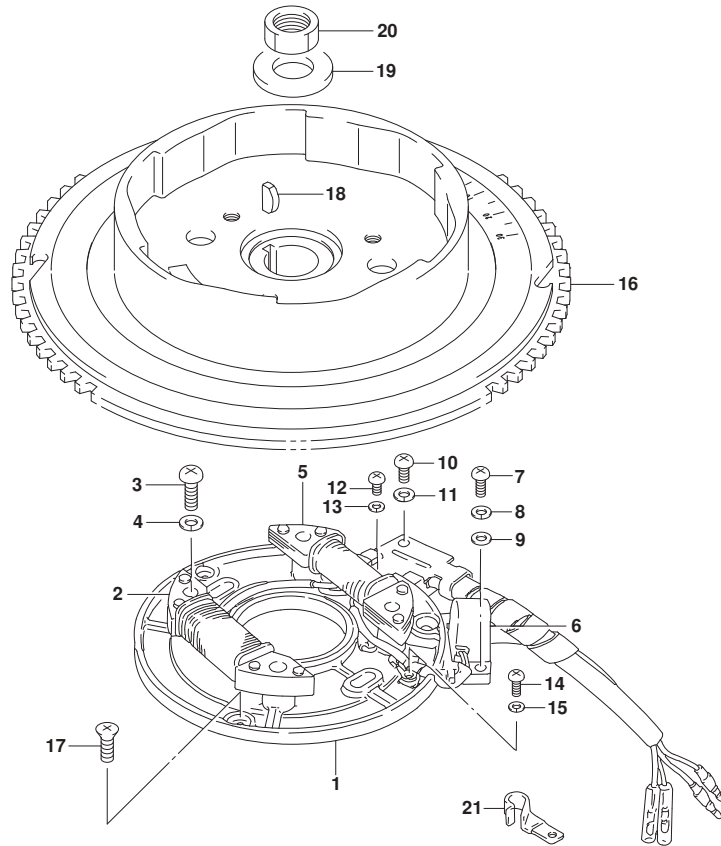


FIG.303D (1-G-5) MAGNETO (DT40WR P90)

REF NO.	PART NO.	DESCRIPTION	Q'TY	REMARKS
1	32101-94430	STARTER ASSY	1	
2	32120-94420	COIL, LIGHTING	1	
3	02112-06257	SCREW	4	
4	08321-01067	LOCK WASHER	4	
5	32140-94400	COIL, IGNITION PRIMARY	1	
6	32150-94410	SENSOR, IGNITION TIMING	1	
7	02112-05107	SCREW	2	
8	08322-01057	WASHER	2	
9	08321-0105A	LOCK WASHER	2	
10	02112-05107	SCREW	1	
11	08321-0105A	LOCK WASHER	1	
12	02112-04087	SCREW	1	
13	08321-01047	LOCK WASHER	1	
14	02112-04067	SCREW	2	
15	08321-01047	LOCK WASHER	2	
16	32102-92L00	FLYWHEEL	1	
17	09138-05011	SCREW (5X14)	2	
18	08341-31059	KEY	1	
19	09160-18011	WASHER (18.5X35X4)	1	
20	09140-18014	NUT	1	
21	09403-10312	CLAMP	1	

FIG.303E

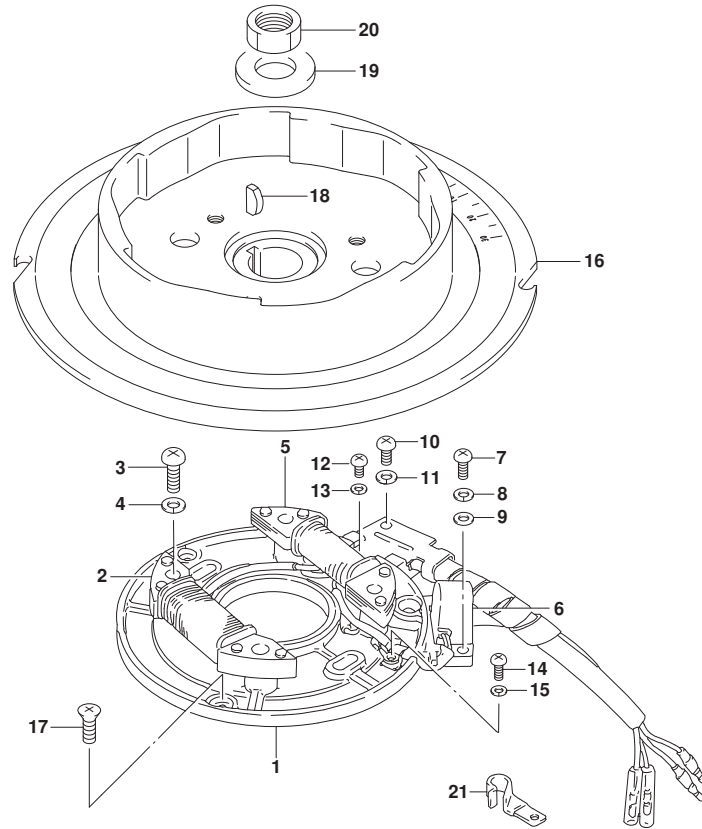


FIG.303E (1-G-6) MAGNETO (DT40WK P40)

REF NO.	PART NO.	DESCRIPTION	Q'TY	REMARKS
1	32101-92L10	STARTER ASSY	1	
2	32120-94420	COIL, LIGHTING	1	
3	02112-06257	SCREW	4	
4	08321-01067	LOCK WASHER	4	
5	32140-94400	COIL, IGNITION PRIMARY	1	
6	32150-94410	SENSOR, IGNITION TIMING	1	
7	02112-05107	SCREW	2	
8	08322-01057	WASHER	2	
9	08321-0105A	LOCK WASHER	2	
10	02112-05107	SCREW	1	
11	08321-0105A	LOCK WASHER	1	
12	02112-04087	SCREW	1	
13	08321-01047	LOCK WASHER	1	
14	02112-04067	SCREW	2	
15	08321-01047	LOCK WASHER	2	
16	32102-92L40	FLYWHEEL	1	
17	09138-05011	SCREW (5X14)	2	
18	08341-31059	KEY	1	
19	09160-18011	WASHER (18.5X35X4)	1	
20	09140-18014	NUT	1	
21	09403-10312	CLAMP	1	



FIG.308A

FIG.308A (1-G-7) IGNITION (DT40W P40)

REF NO.	PART NO.	DESCRIPTION	Q'TY	REMARKS
1	32900-92L20	CDI UNIT	1	
2	01550-06127	BOLT	2	
3	29404-93J10	CLAMP	1	
4	33833-91J00	TUBE	1	L:250->100
5	09407-10404	CLAMP (L:100)	2	
6	33510-95520	CAP, SPARK PLUG	2	
7	09482-00370	SPARK PLUG (BR8HS-10)	2	NGK
8	32950-92L00	HOLDER, CDI/CONTROL UNIT	1	
9	01550-06127	BOLT	2	
10	09160-06084	WASHER (6.5X18X1.6)	2	
11	09160-12007	WASHER (12.5X26X1.6)	2	
12	09320-12011	CUSHION	2	
13	32890-94401	HOLDER, ELECTRIC PARTS	1	W/ELECTRIC STARTER
14	09103-06049	BOLT (6X12)	1	W/ELECTRIC STARTER
15	09160-06084	WASHER (6.5X18X1.6)	2	W/ELECTRIC STARTER
16	09160-12007	WASHER (12.5X26X1.6)	2	W/ELECTRIC STARTER
17	09320-12011	CUSHION	2	W/ELECTRIC STARTER
18	01550-06127	BOLT	1	W/ELECTRIC STARTER
19	32891-94401	COVER, ELECTRIC PARTS HOLDER	1	W/ELECTRIC STARTER
20	03212-0512B	SCREW	3	W/ELECTRIC STARTER
21	31800-94401	RELAY ASSY, STARTING MOTOR	1	W/ELECTRIC STARTER
22	08310-00067	NUT	2	W/ELECTRIC STARTER
23	08321-01067	LOCK WASHER	2	W/ELECTRIC STARTER
24	32919-92L00	CLAMP, HIGH TENSION CORD	1	
25	33410-92L10	COIL, IGNITION	1	
26	01550-06207	BOLT	2	
27	32916-92L10	COVER, CONNECTOR	1	
28	33833-91J00	TUBE	1	L:250->100 W/MANUAL STARTER

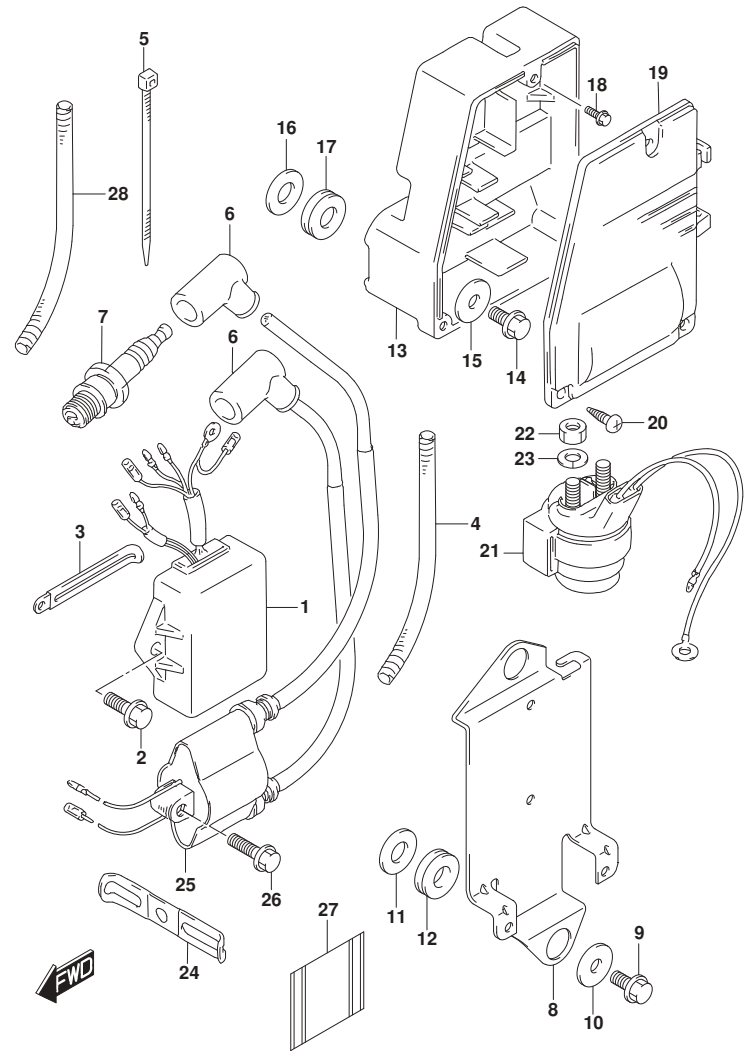


FIG.308B

FIG.308B (1-G-8) IGNITION (DT40W P90)

REF NO.	PART NO.	DESCRIPTION	Q'TY	REMARKS
1	32900-92L20	CDI UNIT	1	
2	01550-06127	BOLT	2	
3	29404-93J10	CLAMP	1	
4	33833-91J00	TUBE	1	L:250->100
5	09407-10404	CLAMP (L:100)	2	
6	33510-95520	CAP, SPARK PLUG	2	
7	09482-00370	SPARK PLUG (BR8HS-10)	2	NGK
8	32950-92L00	HOLDER, CDI/CONTROL UNIT	1	
9	01550-06127	BOLT	2	
10	09160-06084	WASHER (6.5X18X1.6)	2	
11	09160-12007	WASHER (12.5X26X1.6)	2	
12	09320-12011	CUSHION	2	
13	32890-94401	HOLDER, ELECTRIC PARTS	1	W/ELECTRIC STARTER
14	09103-06049	BOLT (6X12)	1	W/ELECTRIC STARTER
15	09160-06084	WASHER (6.5X18X1.6)	2	W/ELECTRIC STARTER
16	09160-12007	WASHER (12.5X26X1.6)	2	W/ELECTRIC STARTER
17	09320-12011	CUSHION	2	W/ELECTRIC STARTER
18	01550-06127	BOLT	1	W/ELECTRIC STARTER
19	32891-94401	COVER, ELECTRIC PARTS HOLDER	1	W/ELECTRIC STARTER
20	03212-0512B	SCREW	3	W/ELECTRIC STARTER
21	31800-94401	RELAY ASSY, STARTING MOTOR	1	W/ELECTRIC STARTER
22	08310-00067	NUT	2	W/ELECTRIC STARTER
23	08321-01067	LOCK WASHER	2	W/ELECTRIC STARTER
24	32919-92L00	CLAMP, HIGH TENSION CORD	1	
25	33410-92L10	COIL, IGNITION	1	
26	01550-06207	BOLT	2	
27	32916-92L10	COVER, CONNECTOR	1	
28	33833-91J00	TUBE	1	L:250->100 W/MANUAL STARTER

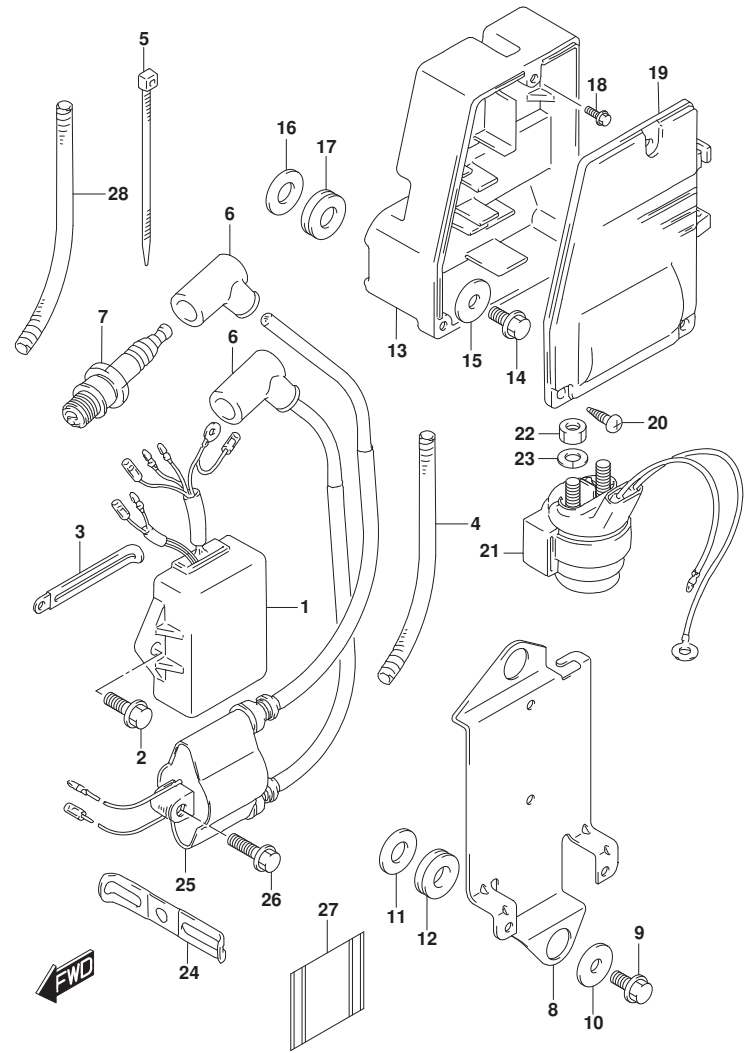


FIG.308C

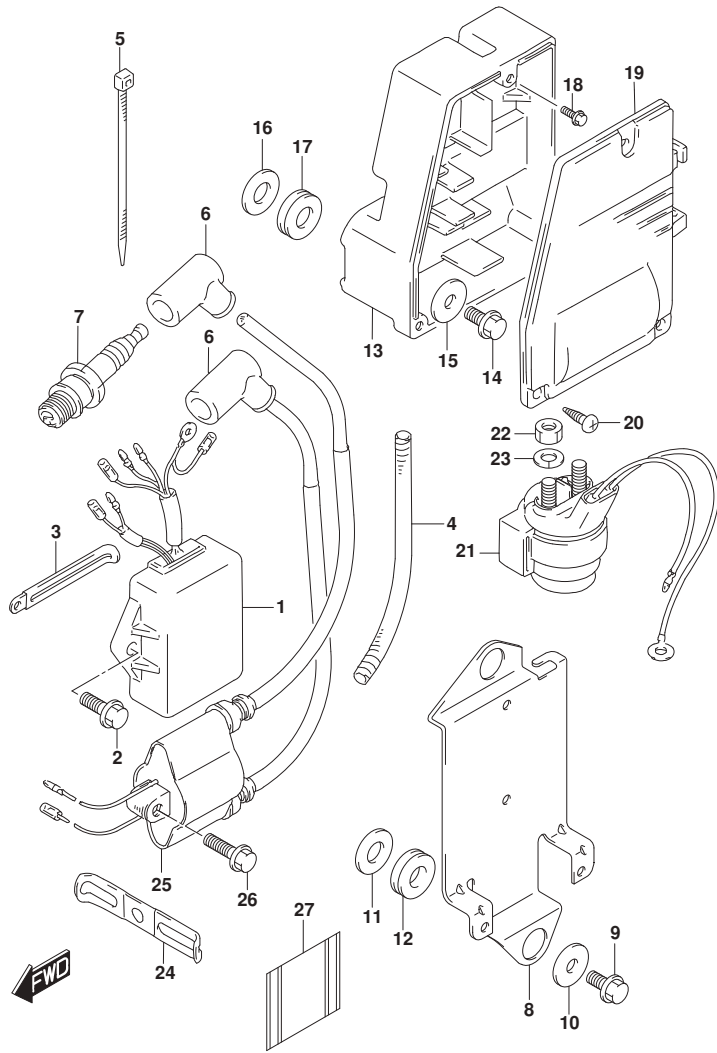


FIG.308C (1-G-9) IGNITION (DT40WR P40)

REF NO.	PART NO.	DESCRIPTION	Q'TY	REMARKS
1	32900-92L20	CDI UNIT	1	
2	01550-06127	BOLT	2	
3	29404-93J10	CLAMP	1	
4	33833-91J00	TUBE	1	L:250->100
5	09407-10404	CLAMP (L:100)	2	
6	33510-95520	CAP, SPARK PLUG	2	
7	09482-00370	SPARK PLUG (BR8HS-10)	2	NGK
8	32950-92L00	HOLDER, CDI/CONTROL UNIT	1	
9	01550-06127	BOLT	2	
10	09160-06084	WASHER (6.5X18X1.6)	2	
11	09160-12007	WASHER (12.5X26X1.6)	2	
12	09320-12011	CUSHION	2	
13	32890-94401	HOLDER, ELECTRIC PARTS	1	
14	09103-06049	BOLT (6X12)	1	
15	09160-06084	WASHER (6.5X18X1.6)	2	
16	09160-12007	WASHER (12.5X26X1.6)	2	
17	09320-12011	CUSHION	2	
18	01550-06127	BOLT	1	
19	32891-94401	COVER, ELECTRIC PARTS HOLDER	1	
20	03212-0512B	SCREW	3	
21	31800-94401	RELAY ASSY, STARTING MOTOR	1	
22	08310-00067	NUT	2	
23	08321-01067	LOCK WASHER	2	
24	32919-92L00	CLAMP, HIGH TENSION CORD	1	
25	33410-92L10	COIL, IGNITION	1	
26	01550-06207	BOLT	2	
27	32916-92L10	COVER, CONNECTOR	1	

FIG.308D

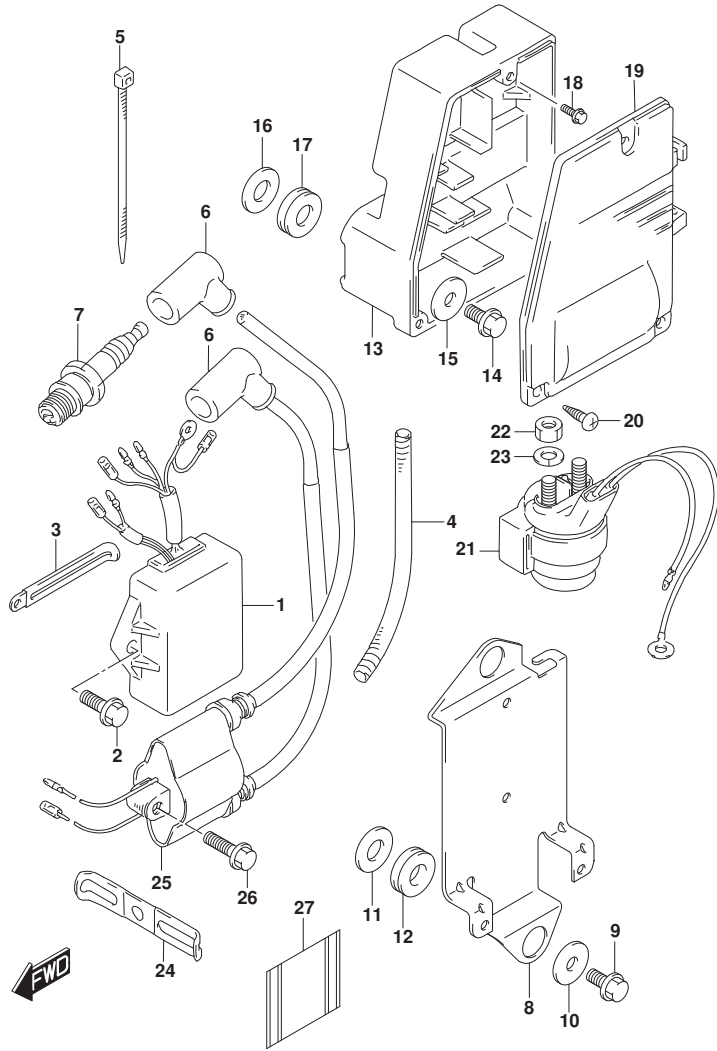


FIG.308D (1-G-10) IGNITION (DT40WR P90)

REF NO.	PART NO.	DESCRIPTION	Q'TY	REMARKS
1	32900-92L20	CDI UNIT	1	
2	01550-06127	BOLT	2	
3	29404-93J10	CLAMP	1	
4	33833-91J00	TUBE	1	L:250->100
5	09407-10404	CLAMP (L:100)	2	
6	33510-95520	CAP, SPARK PLUG	2	
7	09482-00370	SPARK PLUG (BR8HS-10)	2	NGK
8	32950-92L00	HOLDER, CDI/CONTROL UNIT	1	
9	01550-06127	BOLT	2	
10	09160-06084	WASHER (6.5X18X1.6)	2	
11	09160-12007	WASHER (12.5X26X1.6)	2	
12	09320-12011	CUSHION	2	
13	32890-94401	HOLDER, ELECTRIC PARTS	1	
14	09103-06049	BOLT (6X12)	1	
15	09160-06084	WASHER (6.5X18X1.6)	2	
16	09160-12007	WASHER (12.5X26X1.6)	2	
17	09320-12011	CUSHION	2	
18	01550-06127	BOLT	1	
19	32891-94401	COVER, ELECTRIC PARTS HOLDER	1	
20	03212-0512B	SCREW	3	
21	31800-94401	RELAY ASSY, STARTING MOTOR	1	
22	08310-00067	NUT	2	
23	08321-01067	LOCK WASHER	2	
24	32919-92L00	CLAMP, HIGH TENSION CORD	1	
25	33410-92L10	COIL, IGNITION	1	
26	01550-06207	BOLT	2	
27	32916-92L10	COVER, CONNECTOR	1	

FIG.308E

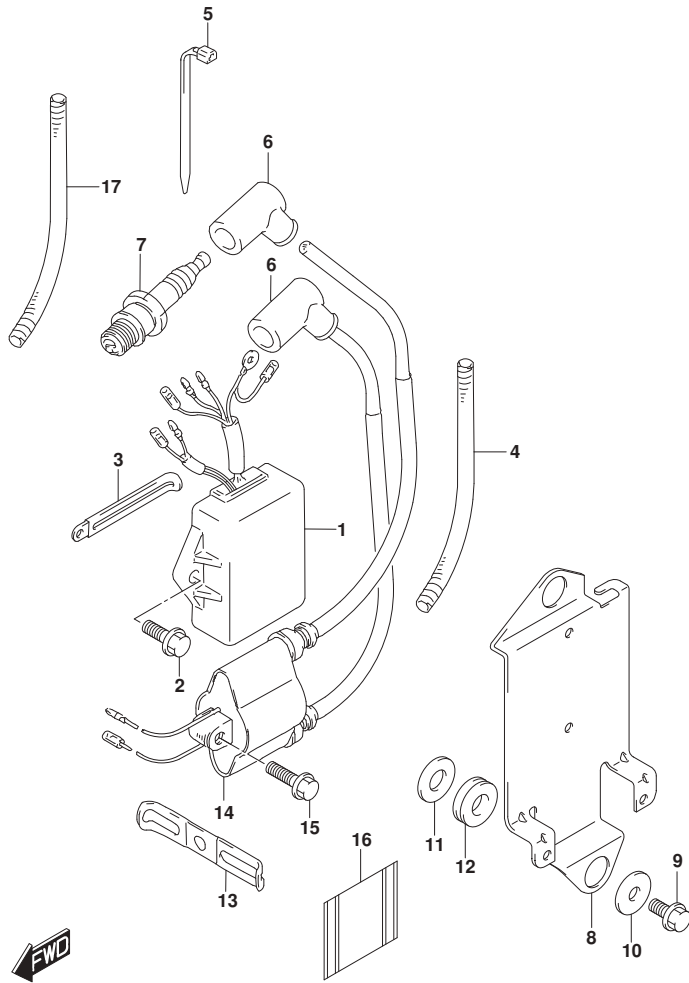


FIG.308E (1-G-11) IGNITION (DT40WK P40)

REF NO.	PART NO.	DESCRIPTION	Q'TY	REMARKS
1	32900-92L30	CDI UNIT	1	
2	01550-06127	BOLT	2	
3	29404-93J10	CLAMP	1	
4	33833-91J00	TUBE	1	L:250->100
5	09407-10404	CLAMP (L:100)	2	
6	33510-95520	CAP, SPARK PLUG	2	
7	09482-00532	SPARK PLUG (B7HS-10)	2	NGK
8	32950-92L00	HOLDER, CDI/CONTROL UNIT	1	
9	01550-06127	BOLT	2	
10	09160-06084	WASHER (6.5X18X1.6)	2	
11	09160-12007	WASHER (12.5X26X1.6)	2	
12	09320-12011	CUSHION	2	
13	32919-92L00	CLAMP, HIGH TENSION CORD	1	
14	33410-92L10	COIL, IGNITION	1	
15	01550-06207	BOLT	2	
16	32916-92L10	COVER, CONNECTOR	1	
17	33833-91J00	TUBE	1	L:250->100

FIG.309A

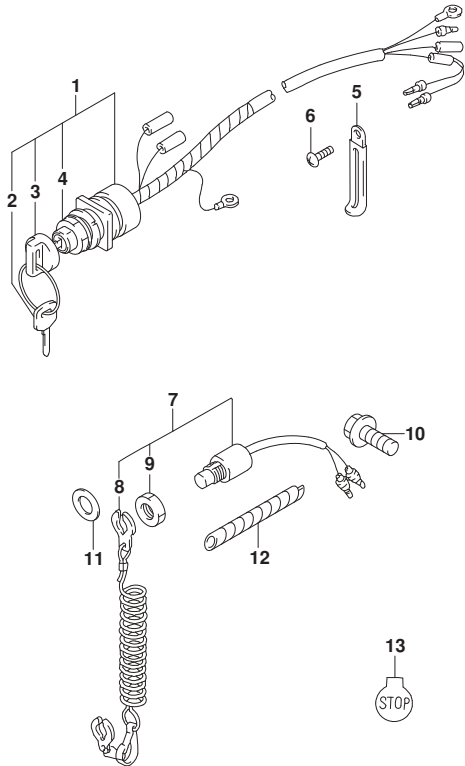


FIG.309A (1-G-12) IGNITION SWITCH (DT40W P40)

REF NO.	PART NO.	DESCRIPTION	Q'TY	REMARKS
1	37110-94471	SWITCH ASSY, IGNITION	1	W/ELECTRIC STARTER
2-1	37141-99EA0	.KEY (941)	1	W/ELECTRIC STARTER
2-2	37141-99EB0	.KEY (942)	1	W/ELECTRIC STARTER
2-3	37141-99E00	.KEY (931)	1	W/ELECTRIC STARTER
2-4	37141-99E10	.KEY (932)	1	W/ELECTRIC STARTER
2-5	37141-99E20	.KEY (933)	1	W/ELECTRIC STARTER
2-6	37141-99E30	.KEY (934)	1	W/ELECTRIC STARTER
2-7	37141-99E40	.KEY (935)	1	W/ELECTRIC STARTER
2-8	37141-99E50	.KEY (936)	1	W/ELECTRIC STARTER
2-9	37141-99E60	.KEY (937)	1	W/ELECTRIC STARTER
2-10	37141-99E70	.KEY (938)	1	W/ELECTRIC STARTER
2-11	37141-99E80	.KEY (939)	1	W/ELECTRIC STARTER
2-12	37141-99E90	.KEY (940)	1	W/ELECTRIC STARTER
3	37143-99E00	.CAP, KEY	1	W/ELECTRIC STARTER
4	37149-93J00	.CAP, CYLINDER BODY	1	W/ELECTRIC STARTER
5	29404-93J10	CLAMP	1	W/ELECTRIC STARTER
6	02142-06127	SCREW	1	W/ELECTRIC STARTER
7	37830-92L02	SWITCH ASSY, EMERGENCY & STOP	1	
8	37823-97J00	.PLATE, LOCK	1	
9	37826-97J00	.NUT	1	
10	01550-06127	BOLT	1	W/MANUAL STARTER
11	09160-25069	WASHER (25X40X1.1)	1	W/ELECTRIC STARTER
12	33833-91J00	TUBE (L:250)	1	L:250->100
13	37835-95D00	LABEL, STOP	1	W/MANUAL STARTER



FIG.309B

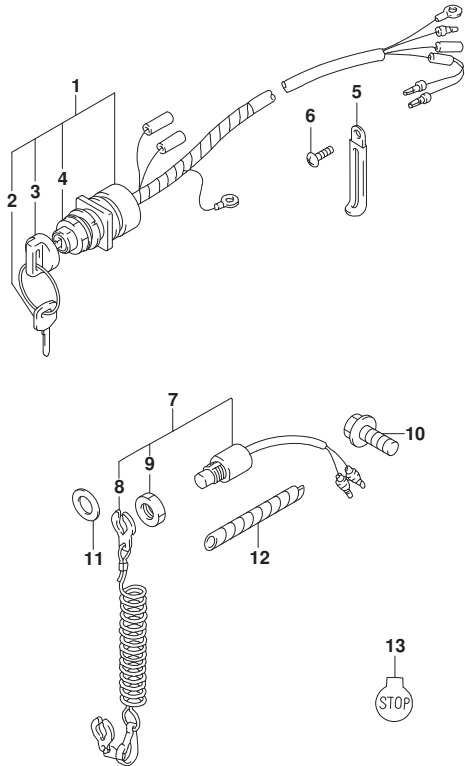


FIG.309B (1-G-13) IGNITION SWITCH (DT40W P90)

REF NO.	PART NO.	DESCRIPTION	Q'TY	REMARKS
1	37110-94471	SWITCH ASSY, IGNITION	1	W/ELECTRIC STARTER
2-1	37141-99EA0	.KEY (941)	1	W/ELECTRIC STARTER
2-2	37141-99EB0	.KEY (942)	1	W/ELECTRIC STARTER
2-3	37141-99E00	.KEY (931)	1	W/ELECTRIC STARTER
2-4	37141-99E10	.KEY (932)	1	W/ELECTRIC STARTER
2-5	37141-99E20	.KEY (933)	1	W/ELECTRIC STARTER
2-6	37141-99E30	.KEY (934)	1	W/ELECTRIC STARTER
2-7	37141-99E40	.KEY (935)	1	W/ELECTRIC STARTER
2-8	37141-99E50	.KEY (936)	1	W/ELECTRIC STARTER
2-9	37141-99E60	.KEY (937)	1	W/ELECTRIC STARTER
2-10	37141-99E70	.KEY (938)	1	W/ELECTRIC STARTER
2-11	37141-99E80	.KEY (939)	1	W/ELECTRIC STARTER
2-12	37141-99E90	.KEY (940)	1	W/ELECTRIC STARTER
3	37143-99E00	.CAP, KEY	1	W/ELECTRIC STARTER
4	37149-93J00	.CAP, CYLINDER BODY	1	W/ELECTRIC STARTER
5	29404-93J10	CLAMP	1	W/ELECTRIC STARTER
6	02142-06127	SCREW	1	W/ELECTRIC STARTER
7	37830-92L02	SWITCH ASSY, EMERGENCY & STOP	1	
8	37823-97J00	.PLATE, LOCK	1	
9	37826-97J00	.NUT	1	
10	01550-06127	BOLT	1	W/MANUAL STARTER
11	09160-25069	WASHER (25X40X1.1)	1	W/ELECTRIC STARTER
12	33833-91J00	TUBE (L:250)	1	L:250->100
13	37835-95D00	LABEL, STOP	1	W/MANUAL STARTER



FIG.309C

FIG.309C (1-G-14) IGNITION SWITCH (DT40WR P40)

REF NO.	PART NO.	DESCRIPTION	Q'TY	REMARKS
1	36610-94411	HARNESS ASSY, WIRING	1	
2	36612-94421	GROMMET	1	
3	09407-12402	CLAMP (L:120)	1	
4	38600-94400	SOLENOID ASSY, CHOKE	1	
5	02112-35127	SCREW	2	

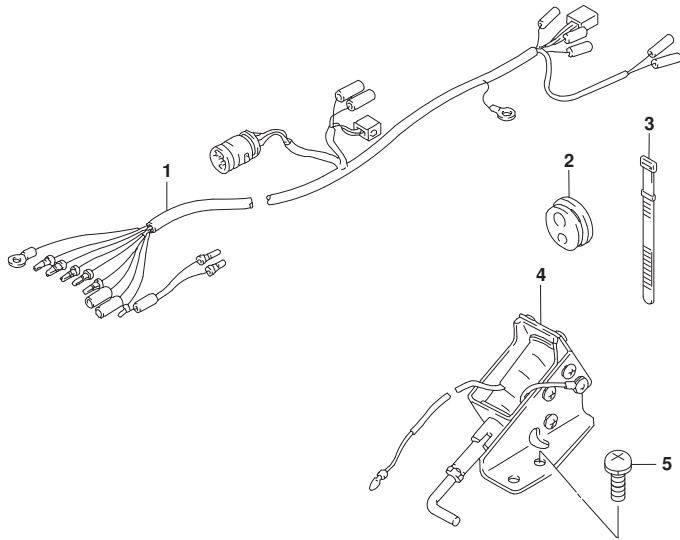


FIG.309D

FIG.309D (1-G-15) IGNITION SWITCH (DT40WR P90)

REF NO.	PART NO.	DESCRIPTION	Q'TY	REMARKS
1	36610-94411	HARNESS ASSY, WIRING	1	
2	36612-94421	GROMMET	1	
3	09407-12402	CLAMP (L:120)	1	
4	38600-94400	SOLENOID ASSY, CHOKE	1	
5	02112-35127	SCREW	2	

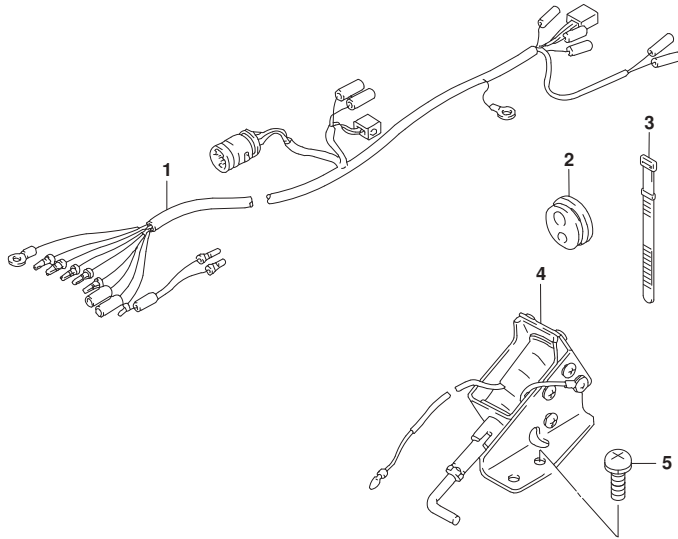


FIG.309E

FIG.309E (1-H-2) IGNITION SWITCH (DT40WK P40)

REF NO.	PART NO.	DESCRIPTION	Q'TY	REMARKS
1	37830-92L02	SWITCH ASSY, EMERGENCY & STOP	1	
2	37823-97J00	.PLATE, LOCK	1	
3	37826-97J00	.NUT	1	
4	01550-06127	BOLT	1	
5	33833-91J00	TUBE (L:250)	1	L:250->100
6	37835-95D00	LABEL, STOP	1	

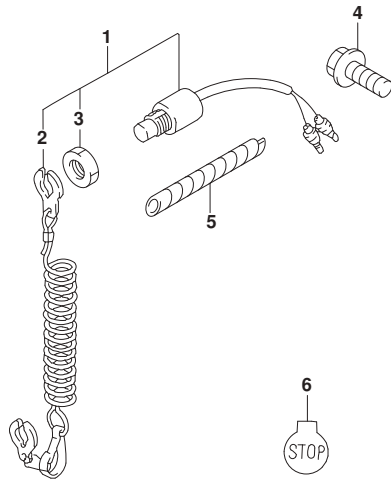


FIG.319A

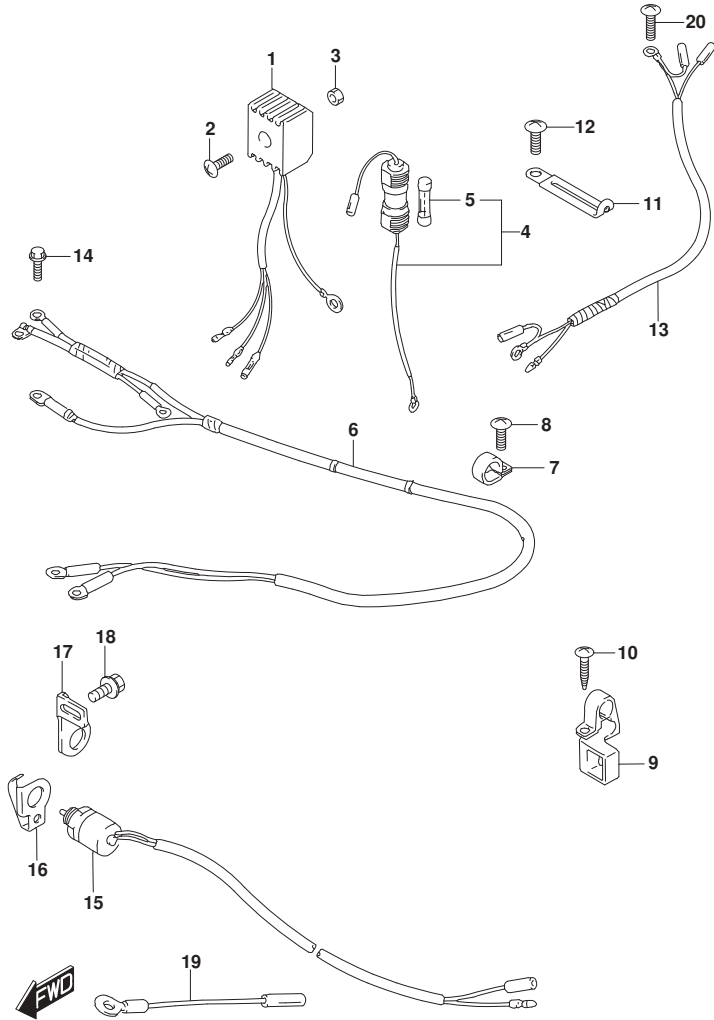


FIG.319A (1-H-3) ELECTRICAL (DT40W P40)

REF NO.	PART NO.	DESCRIPTION	Q'TY	REMARKS
1	32800-95D01	RECTIFIER ASSY	1	W/ELECTRIC STARTER
2	02142-05257	SCREW	1	W/ELECTRIC STARTER
3	08310-00057	NUT	1	W/ELECTRIC STARTER
4	36740-93901	FUSE CASE ASSY	1	W/ELECTRIC STARTER
5	09481-20001	.FUSE (20A)	1	W/ELECTRIC STARTER
6	33810-94411	CABLE ASSY, STARTER	1	W/ELECTRIC STARTER
7	09403-14204	CLAMP	1	W/ELECTRIC STARTER
8	02142-06167	SCREW	1	W/ELECTRIC STARTER
9	33816-96300	CLAMP, CABLE	1	W/ELECTRIC STARTER
10	03241-0625A	SCREW	1	W/ELECTRIC STARTER
11	29404-93J10	CLAMP	1	W/MANUAL STARTER
12	02142-06127	SCREW	1	W/MANUAL STARTER
13	36899-92L00	LEAD, STOP ETC	1	W/MANUAL STARTER
14	01550-06167	BOLT	1	W/ELECTRIC STARTER
15	37721-94404	SWITCH ASSY, NEUTRAL	1	W/ELECTRIC STARTER
16	37725-94302	ACTUATOR, NEUTRAL SWITCH	1	W/ELECTRIC STARTER
17	37726-94402	BRACKET, NEUTRAL SWITCH	1	W/ELECTRIC STARTER
18	01580-06167	BOLT	1	W/ELECTRIC STARTER
19	36895-94400	LEAD, ENGINE GROUND	1	
20	02142-06167	SCREW	1	W/MANUAL STARTER

FIG.319B

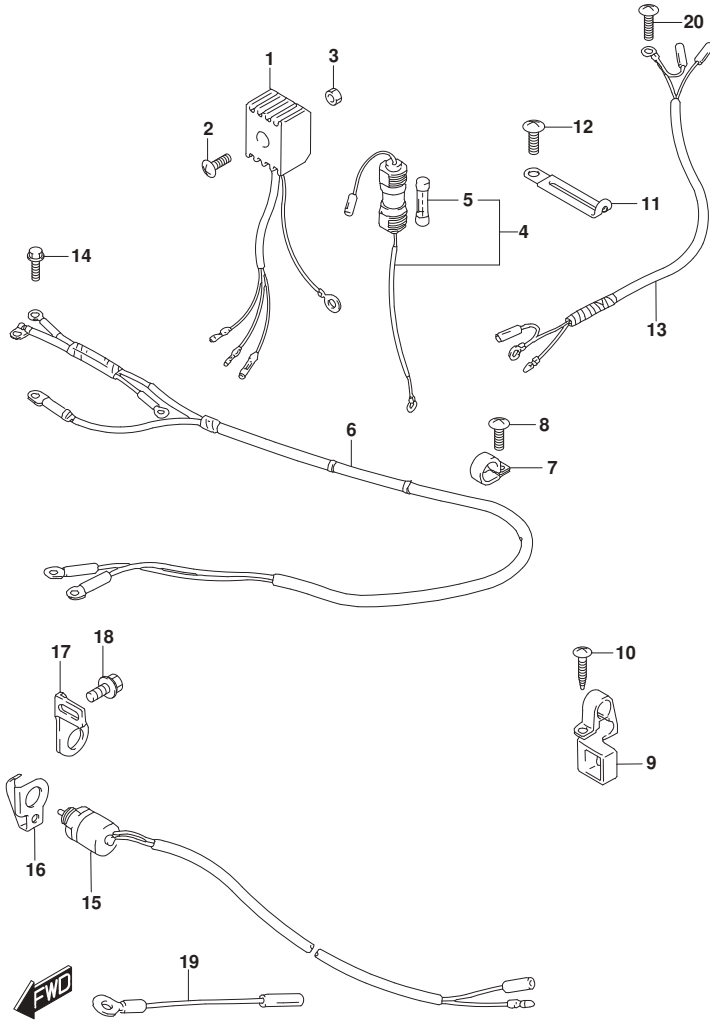


FIG.319B (1-H-4) ELECTRICAL (DT40W P90)

REF NO.	PART NO.	DESCRIPTION	Q'TY	REMARKS
1	32800-95D01	RECTIFIER ASSY	1	W/ELECTRIC STARTER
2	02142-05257	SCREW	1	W/ELECTRIC STARTER
3	08310-00057	NUT	1	W/ELECTRIC STARTER
4	36740-93901	FUSE CASE ASSY	1	W/ELECTRIC STARTER
5	09481-20001	.FUSE (20A)	1	W/ELECTRIC STARTER
6	33810-94411	CABLE ASSY, STARTER	1	W/ELECTRIC STARTER
7	09403-14204	CLAMP	1	W/ELECTRIC STARTER
8	02142-06167	SCREW	1	W/ELECTRIC STARTER
9	33816-96300	CLAMP, CABLE	1	W/ELECTRIC STARTER
10	03241-0625A	SCREW	1	W/ELECTRIC STARTER
11	29404-93J10	CLAMP	1	W/MANUAL STARTER
12	02142-06127	SCREW	1	W/MANUAL STARTER
13	36899-92L00	LEAD, STOP ETC	1	W/MANUAL STARTER
14	01550-06167	BOLT	1	W/ELECTRIC STARTER
15	37721-94404	SWITCH ASSY, NEUTRAL	1	W/ELECTRIC STARTER
16	37725-94302	ACTUATOR, NEUTRAL SWITCH	1	W/ELECTRIC STARTER
17	37726-94402	BRACKET, NEUTRAL SWITCH	1	W/ELECTRIC STARTER
18	01580-06167	BOLT	1	W/ELECTRIC STARTER
19	36895-94400	LEAD, ENGINE GROUND	1	
20	02142-06167	SCREW	1	W/MANUAL STARTER

FIG.319C

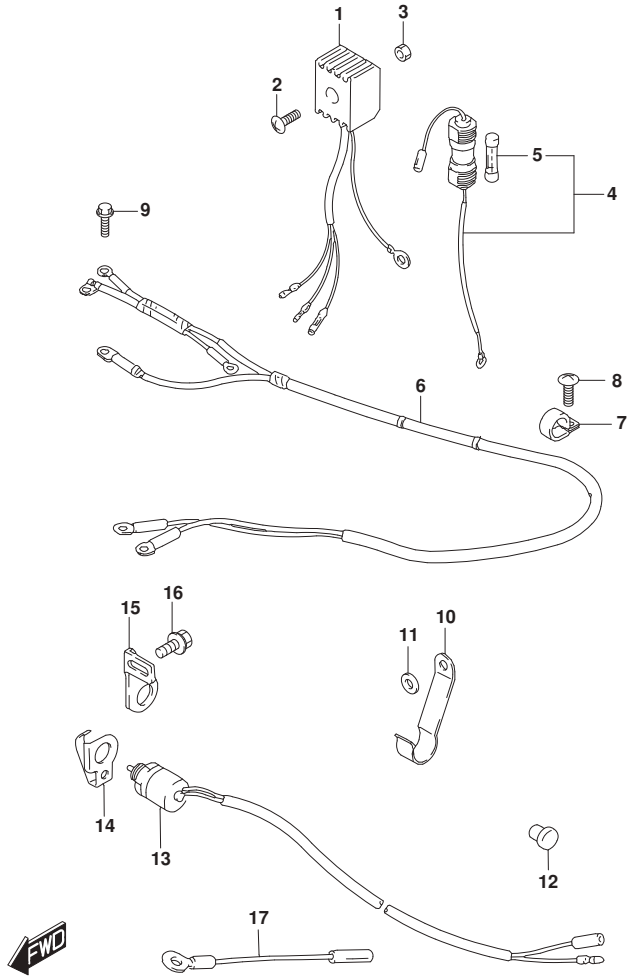


FIG.319C (1-H-5) ELECTRICAL (DT40WR P40)

REF NO.	PART NO.	DESCRIPTION	Q'TY	REMARKS
1	32800-95D01	RECTIFIER ASSY	1	
2	02142-05257	SCREW	1	
3	08310-00057	NUT	1	
4	36740-93901	FUSE CASE ASSY	1	
5	09481-20001	.FUSE (20A)	1	
6	33810-94411	CABLE ASSY, STARTER	1	
7	09403-14204	CLAMP	1	
8	02142-06167	SCREW	1	
9	01550-06167	BOLT	1	
10	36791-94504	HOLDER, CONNECTOR	1	
11	08322-01067	WASHER	1	
12	09250-09001	CAP (OD:14)	1	
13	37721-94404	SWITCH ASSY, NEUTRAL	1	
14	37725-94302	ACTUATOR, NEUTRAL SWITCH	1	
15	37726-94402	BRACKET, NEUTRAL SWITCH	1	
16	01580-06167	BOLT	1	
17	36895-94400	LEAD, ENGINE GROUND	1	

FIG.319D

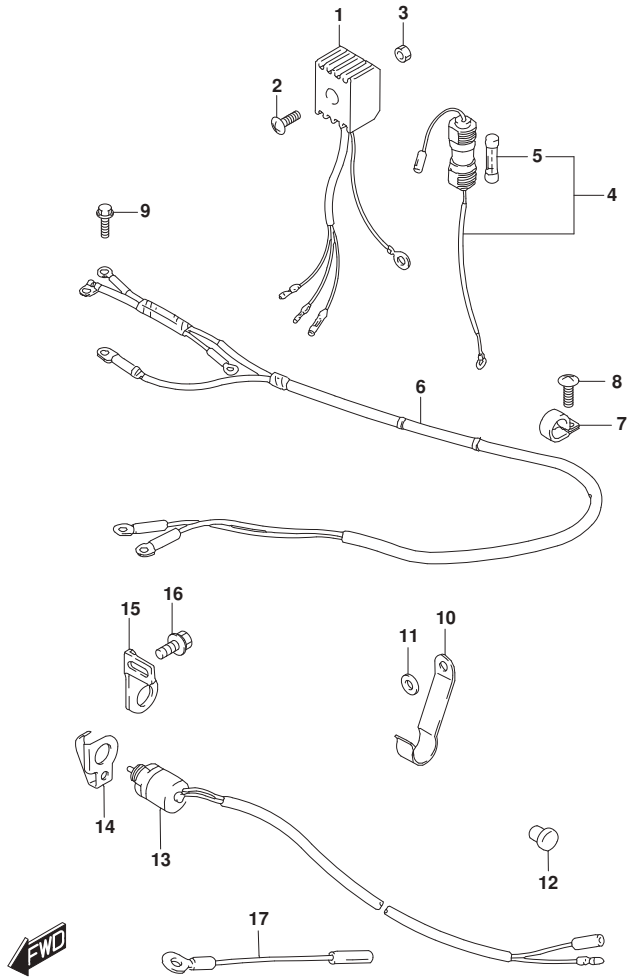


FIG.319D (1-H-6) ELECTRICAL (DT40WR P90)

REF NO.	PART NO.	DESCRIPTION	Q'TY	REMARKS
1	32800-95D01	RECTIFIER ASSY	1	
2	02142-05257	SCREW	1	
3	08310-00057	NUT	1	
4	36740-93901	FUSE CASE ASSY	1	
5	09481-20001	.FUSE (20A)	1	
6	33810-94411	CABLE ASSY, STARTER	1	
7	09403-14204	CLAMP	1	
8	02142-06167	SCREW	1	
9	01550-06167	BOLT	1	
10	36791-94504	HOLDER, CONNECTOR	1	
11	08322-01067	WASHER	1	
12	09250-09001	CAP (OD:14)	1	
13	37721-94404	SWITCH ASSY, NEUTRAL	1	
14	37725-94302	ACTUATOR, NEUTRAL SWITCH	1	
15	37726-94402	BRACKET, NEUTRAL SWITCH	1	
16	01580-06167	BOLT	1	
17	36895-94400	LEAD, ENGINE GROUND	1	

FIG.319E

FIG.319E (1-H-7) ELECTRICAL (DT40WK P40)

REF NO.	PART NO.	DESCRIPTION	Q'TY	REMARKS
1	29404-93J10	CLAMP	1	
2	02142-06127	SCREW	1	
3	36899-92L00	LEAD, STOP ETC	1	
4	36895-94400	LEAD, ENGINE GROUND	1	
5	02142-06167	SCREW	1	

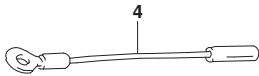
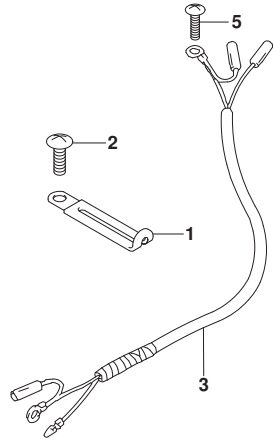


FIG.335A

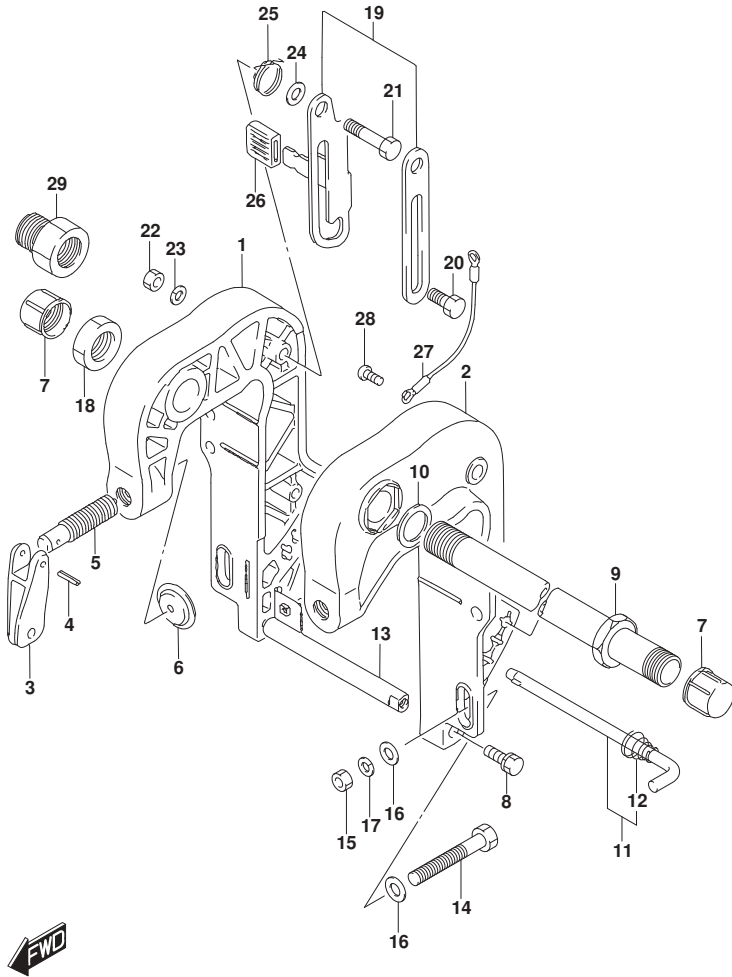


FIG.335A (1-H-8) CLAMP BRACKET (DT40W P40)

REF NO.	PART NO.	DESCRIPTION	Q'TY	REMARKS
1	41111-92L10-0EP	BRACKET, CLAMP STBD (BLACK)	1	OPT
2	41121-92L10-0EP	BRACKET, CLAMP PORT (BLACK)	1	OPT
3	41212-91L00-0EP	HANDLE, CLAMP (BLACK)	2	
4	09205-06021	SPRING PIN (6X25)	2	
5	41211-94302	SCREW, CLAMP	2	
6	41213-94J01	PLATE, CLAMP	2	
7	41151-94500	CAP, CLAMP BRACKET SHAFT	2	
8	09116-08152	BOLT (8X45)	2	
9	41130-92L00	SHAFT, CLAMP BRACKET	1	
10	09160-22033	WASHER (22.5X38X1)	1	
11	45420-92L00	PIN, TILT LOCK	1	
12	09441-17002	.SPRING	1	
13	41311-92L00	ROD, CLAMP BRACKET LOWER	1	
14	09100-08311	BOLT (8X90)	2	
15	09140-08023-XC0	NUT	2	
16	09160-08081	WASHER (8.5X23X1.5)	4	
17	29162-93J10	LOCK WASHER	2	
18	09159-22006	NUT	1	
19	41200-92L00	ARM ASSY, TILT	1	
20	09111-10067	BOLT (10X20.5)	2	
21	09111-10069	BOLT (10X54.5)	2	
22	29141-93J20	NUT	2	
23	09162-10005	LOCK WASHER	2	
24	09160-10082	WASHER (10.5X19X2)	2	
25	09448-29009	SPRING	1	
26	41225-94400	RUBBER, TILT LOCK	1	
27	36894-95201	LEAD (L:165)	1	
28	29125-93J10	SCREW	2	
29	41141-94301	ATTACHMENT, STEERING CABLE	1	OPT

FIG.335B

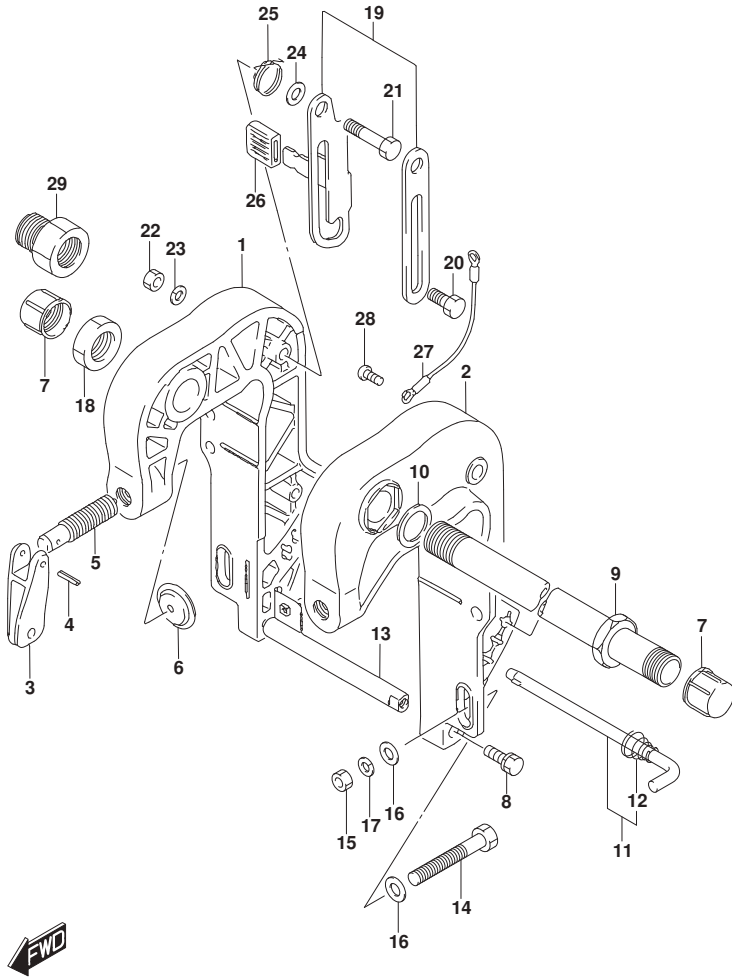


FIG.335B (1-H-9) CLAMP BRACKET (DT40W P90)

REF NO.	PART NO.	DESCRIPTION	Q'TY	REMARKS
1	41111-92L10-0EP	BRACKET, CLAMP STBD (BLACK)	1	OPT
2	41121-92L10-0EP	BRACKET, CLAMP PORT (BLACK)	1	OPT
3	41212-91L00-0EP	HANDLE, CLAMP (BLACK)	2	
4	09205-06021	SPRING PIN (6X25)	2	
5	41211-94302	SCREW, CLAMP	2	
6	41213-94J01	PLATE, CLAMP	2	
7	41151-94500	CAP, CLAMP BRACKET SHAFT	2	
8	09116-08152	BOLT (8X45)	2	
9	41130-92L00	SHAFT, CLAMP BRACKET	1	
10	09160-22033	WASHER (22.5X38X1)	1	
11	45420-92L00	PIN, TILT LOCK	1	
12	09441-17002	.SPRING	1	
13	41311-92L00	ROD, CLAMP BRACKET LOWER	1	
14	09100-08311	BOLT (8X90)	2	
15	09140-08023-XC0	NUT	2	
16	09160-08081	WASHER (8.5X23X1.5)	4	
17	29162-93J10	LOCK WASHER	2	
18	09159-22006	NUT	1	
19	41200-92L00	ARM ASSY, TILT	1	
20	09111-10067	BOLT (10X20.5)	2	
21	09111-10069	BOLT (10X54.5)	2	
22	29141-93J20	NUT	2	
23	09162-10005	LOCK WASHER	2	
24	09160-10082	WASHER (10.5X19X2)	2	
25	09448-29009	SPRING	1	
26	41225-94400	RUBBER, TILT LOCK	1	
27	36894-95201	LEAD (L:165)	1	
28	29125-93J10	SCREW	2	
29	41141-94301	ATTACHMENT, STEERING CABLE	1	OPT

FIG.335C

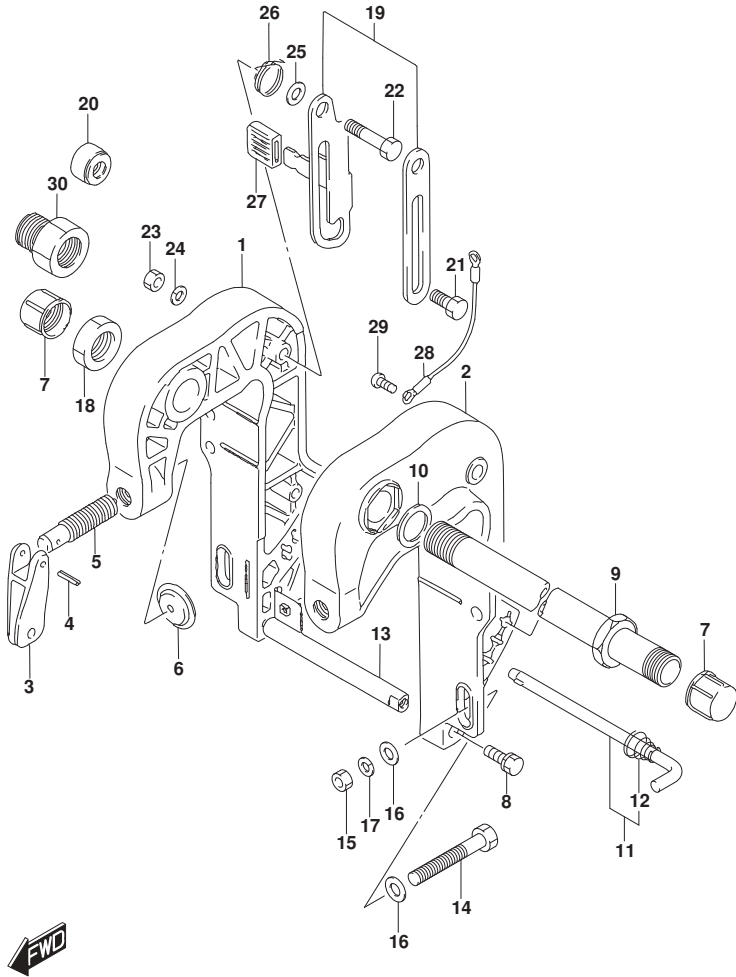


FIG.335C (1-H-10) CLAMP BRACKET (DT40WR P40)

REF NO.	PART NO.	DESCRIPTION	Q'TY	REMARKS
1	41111-92L10-0EP	BRACKET, CLAMP STBD (BLACK)	1	OPT
2	41121-92L10-0EP	BRACKET, CLAMP PORT (BLACK)	1	OPT
3	41212-91L00-0EP	HANDLE, CLAMP (BLACK)	2	
4	09205-06021	SPRING PIN (6X25)	2	
5	41211-94302	SCREW, CLAMP	2	
6	41213-94J01	PLATE, CLAMP	2	
7	41151-94500	CAP, CLAMP BRACKET SHAFT	2	
8	09116-08152	BOLT (8X45)	2	
9	41130-92L00	SHAFT, CLAMP BRACKET	1	
10	09160-22033	WASHER (22.5X38X1)	1	
11	45420-92L00	PIN, TILT LOCK	1	
12	09441-17002	.SPRING	1	
13	41311-92L00	ROD, CLAMP BRACKET LOWER	1	
14	09100-08311	BOLT (8X90)	2	
15	09140-08023-XC0	NUT	2	
16	09160-08081	WASHER (8.5X23X1.5)	4	
17	29162-93J10	LOCK WASHER	2	
18	09159-22006	NUT	1	
19	41200-92L00	ARM ASSY, TILT	1	
20	41161-94400	SEAL, STEERING CABLE	1	
21	09111-10067	BOLT (10X20.5)	2	
22	09111-10069	BOLT (10X54.5)	2	
23	29141-93J20	NUT	2	
24	09162-10005	LOCK WASHER	2	
25	09160-10082	WASHER (10.5X19X2)	2	
26	09448-29009	SPRING	1	
27	41225-94400	RUBBER, TILT LOCK	1	
28	36894-95201	LEAD (L:165)	1	
29	29125-93J10	SCREW	2	
30	41141-94301	ATTACHMENT, STEERING CABLE	1	OPT

FIG.335D

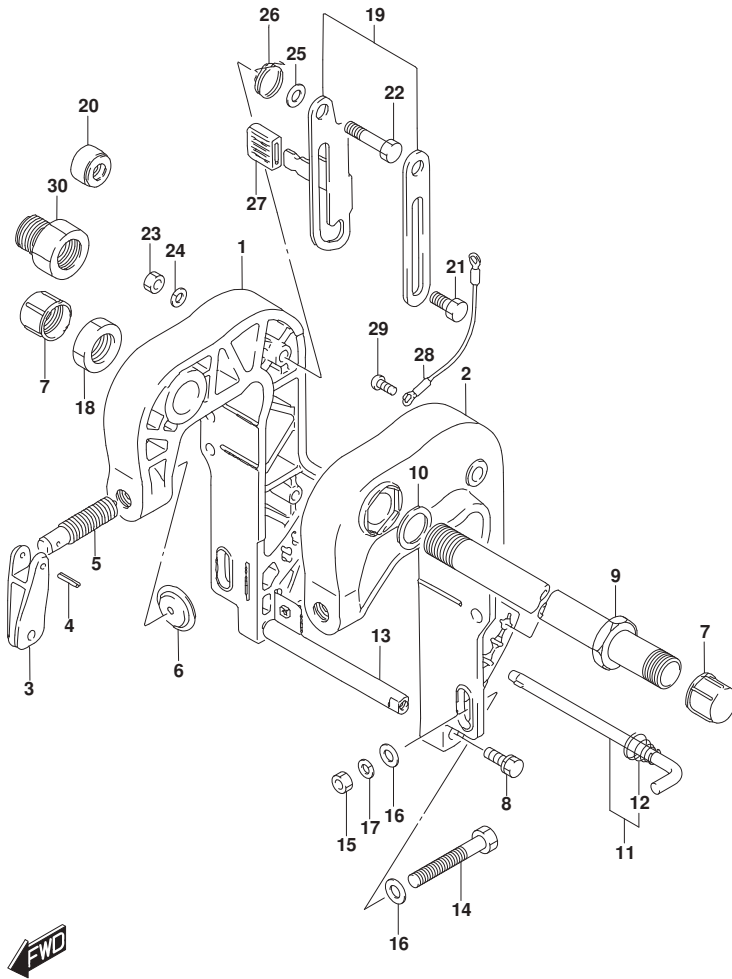


FIG.335D (1-H-11) CLAMP BRACKET (DT40WR P90)

REF NO.	PART NO.	DESCRIPTION	Q'TY	REMARKS
1	41111-92L10-0EP	BRACKET, CLAMP STBD (BLACK)	1	OPT
2	41121-92L10-0EP	BRACKET, CLAMP PORT (BLACK)	1	OPT
3	41212-91L00-0EP	HANDLE, CLAMP (BLACK)	2	
4	09205-06021	SPRING PIN (6X25)	2	
5	41211-94302	SCREW, CLAMP	2	
6	41213-94J01	PLATE, CLAMP	2	
7	41151-94500	CAP, CLAMP BRACKET SHAFT	2	
8	09116-08152	BOLT (8X45)	2	
9	41130-92L00	SHAFT, CLAMP BRACKET	1	
10	09160-22033	WASHER (22.5X38X1)	1	
11	45420-92L00	PIN, TILT LOCK	1	
12	09441-17002	.SPRING	1	
13	41311-92L00	ROD, CLAMP BRACKET LOWER	1	
14	09100-08311	BOLT (8X90)	2	
15	09140-08023-XC0	NUT	2	
16	09160-08081	WASHER (8.5X23X1.5)	4	
17	29162-93J10	LOCK WASHER	2	
18	09159-22006	NUT	1	
19	41200-92L00	ARM ASSY, TILT	1	
20	41161-94400	SEAL, STEERING CABLE	1	
21	09111-10067	BOLT (10X20.5)	2	
22	09111-10069	BOLT (10X54.5)	2	
23	29141-93J20	NUT	2	
24	09162-10005	LOCK WASHER	2	
25	09160-10082	WASHER (10.5X19X2)	2	
26	09448-29009	SPRING	1	
27	41225-94400	RUBBER, TILT LOCK	1	
28	36894-95201	LEAD (L:165)	1	
29	29125-93J10	SCREW	2	
30	41141-94301	ATTACHMENT, STEERING CABLE	1	OPT

FIG.335E

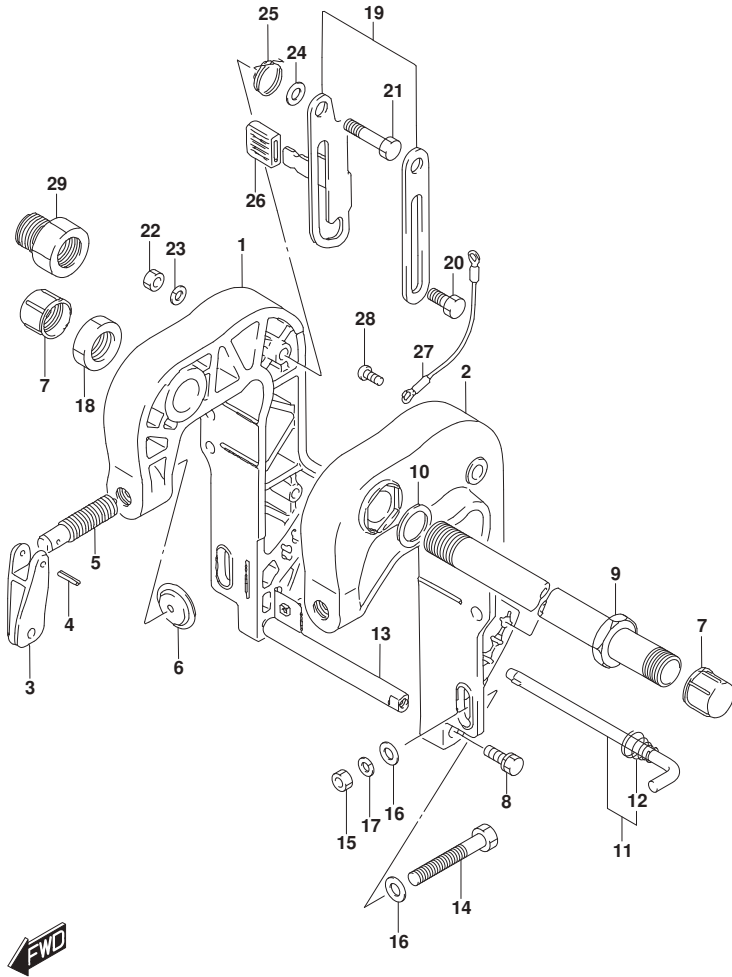


FIG.335E (1-H-12) CLAMP BRACKET (DT40WK P40)

REF NO.	PART NO.	DESCRIPTION	Q'TY	REMARKS
1	41111-92L10-0EP	BRACKET, CLAMP STBD (BLACK)	1	OPT
2	41121-92L10-0EP	BRACKET, CLAMP PORT (BLACK)	1	OPT
3	41212-91L00-0EP	HANDLE, CLAMP (BLACK)	2	
4	09205-06021	SPRING PIN (6X25)	2	
5	41211-94302	SCREW, CLAMP	2	
6	41213-94J01	PLATE, CLAMP	2	
7	41151-94500	CAP, CLAMP BRACKET SHAFT	2	
8	09116-08152	BOLT (8X45)	2	
9	41130-92L00	SHAFT, CLAMP BRACKET	1	
10	09160-22033	WASHER (22.5X38X1)	1	
11	45420-92L00	PIN, TILT LOCK	1	
12	09441-17002	.SPRING	1	
13	41311-92L00	ROD, CLAMP BRACKET LOWER	1	
14	09100-08311	BOLT (8X90)	2	
15	09140-08023-XC0	NUT	2	
16	09160-08081	WASHER (8.5X23X1.5)	4	
17	29162-93J10	LOCK WASHER	2	
18	09159-22006	NUT	1	
19	41200-92L00	ARM ASSY, TILT	1	
20	09111-10067	BOLT (10X20.5)	2	
21	09111-10069	BOLT (10X54.5)	2	
22	29141-93J20	NUT	2	
23	09162-10005	LOCK WASHER	2	
24	09160-10082	WASHER (10.5X19X2)	2	
25	09448-29009	SPRING	1	
26	41225-94400	RUBBER, TILT LOCK	1	
27	36894-95201	LEAD (L:165)	1	
28	29125-93J10	SCREW	2	
29	41141-94301	ATTACHMENT, STEERING CABLE	1	OPT

FIG.336A

FIG.336A (1-H-13) SWIVEL BRACKET (DT40W P40)

REF NO.	PART NO.	DESCRIPTION	Q'TY	REMARKS
1	22511-99011	NIPPLE, GREASE	3	
2	43111-92L10-0EP	BRACKET, SWIVEL (BLACK)	1	
3	43211-87JL0	BUSH, SWIVEL BRACKET	2	
4	43711-97E01	BUSH, STEERING	2	
5	43750-92L20-0EP	BRACKET, STEERING (BLACK)	1	
6	09160-39001	WASHER (39.5X64X1)	3	
7	09181-39001	SHIM (39.5X64X0.3)	AR	
8	09282-39001	OIL SEAL (39X51X5)	1	
9	09380-38003	CIRCLIP	1	
10	41225-94502	PIN, RELEASE ARM	1	
11	45231-92L00	ARM, REVERSE LOCK	1	
12	45241-92L00	LINK, REVERSE LOCK ARM	1	
13	45250-92L00	LINK, RELEASE	1	
14	45255-93001	RUBBER, RELEASE LEVER	1	
15	45261-92L00	LEVER, RELEASE	1	
16	09160-08091	WASHER (8.5X14X1.0)	1	
17	09200-05015	PIN (5X117)	1	
18	09200-08043	PIN (8X11)	1	
19	09204-01002	PIN	2	
20	09306-22006	BUSH (22.6X27X8)	2	
21	09443-15031	SPRING	2	
22	09448-29018	SPRING	1	
23	43411-97E00	ADJUSTER, STEERING	1	
24	43412-93900	COVER, STEERING ADJUSTER	1	
25	09100-08309	BOLT (8X35)	1	
26	09160-08091	WASHER (8.5X14X1.0)	1	
27	29440-93J00	SPRING, STEERING ADJUSTER	1	

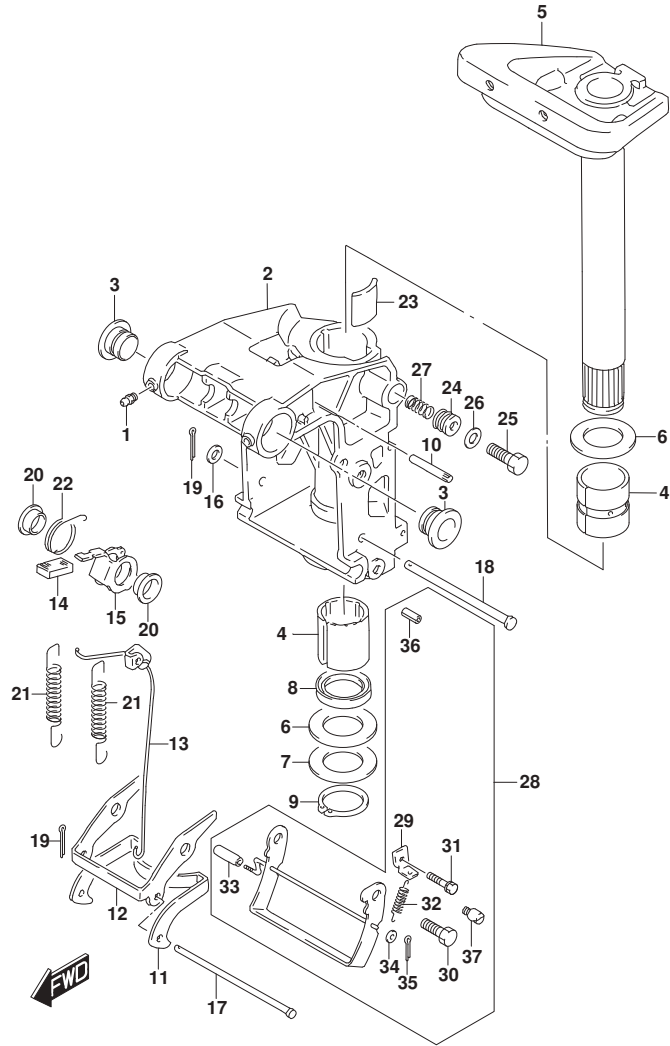


FIG.336A

FIG.336A (1-H-14) SWIVEL BRACKET (DT40W P40)

REF NO.	PART NO.	DESCRIPTION	Q'TY	REMARKS
28	45700-92L00	SHALLOW WATER DRIVE ASSY	1	OPT
29	45713-92L00	.STOPPER, SHALLOW WATER	1	OPT
30	09111-10045	.BOLT (10X20.8)	2	OPT
31	09117-06030	.BOLT (6X16)	1	OPT
32	09443-12039	.SPRING	1	OPT
33	45255-95500	.KNOB, RELEASE LEVER	1	OPT
34	09160-05029	.WASHER (5.5X12X0.8)	1	OPT
35	09204-01002	.PIN	1	OPT
36	09205-08002	.SPRING PIN (8X16)	1	OPT
37	45331-94610	.PIN, SHALLOW DRIVE	1	OPT

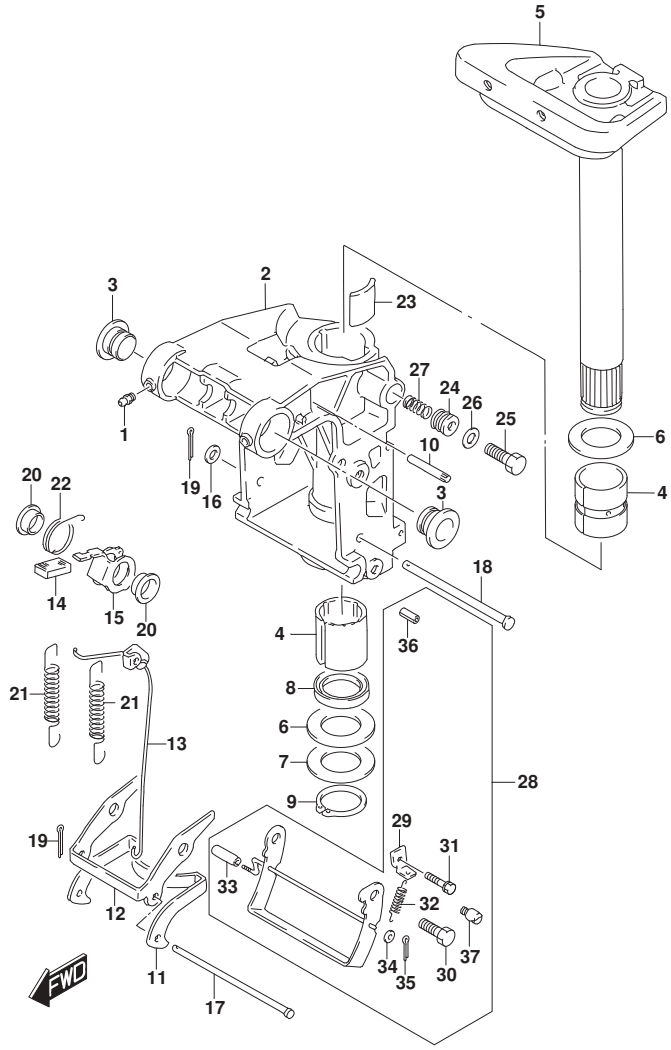


FIG.336B

FIG.336B (1-H-15) SWIVEL BRACKET (DT40W P90)

REF NO.	PART NO.	DESCRIPTION	Q'TY	REMARKS
1	22511-99011	NIPPLE, GREASE	3	
2	43111-92L10-0EP	BRACKET, SWIVEL (BLACK)	1	
3	43211-87JL0	BUSH, SWIVEL BRACKET	2	
4	43711-97E01	BUSH, STEERING	2	
5	43750-92L20-0EP	BRACKET, STEERING (BLACK)	1	
6	09160-39001	WASHER (39.5X64X1)	3	
7	09181-39001	SHIM (39.5X64X0.3)	AR	
8	09282-39001	OIL SEAL (39X51X5)	1	
9	09380-38003	CIRCLIP	1	
10	41225-94502	PIN, RELEASE ARM	1	
11	45231-92L00	ARM, REVERSE LOCK	1	
12	45241-92L00	LINK, REVERSE LOCK ARM	1	
13	45250-92L00	LINK, RELEASE	1	
14	45255-93001	RUBBER, RELEASE LEVER	1	
15	45261-92L00	LEVER, RELEASE	1	
16	09160-08091	WASHER (8.5X14X1.0)	1	
17	09200-05015	PIN (5X117)	1	
18	09200-08043	PIN (8X11)	1	
19	09204-01002	PIN	2	
20	09306-22006	BUSH (22.6X27X8)	2	
21	09443-15031	SPRING	2	
22	09448-29018	SPRING	1	
23	43411-97E00	ADJUSTER, STEERING	1	
24	43412-93900	COVER, STEERING ADJUSTER	1	
25	09100-08309	BOLT (8X35)	1	
26	09160-08091	WASHER (8.5X14X1.0)	1	
27	29440-93J00	SPRING, STEERING ADJUSTER	1	
28	45255-95500	KNOB, RELEASE LEVER	1	
29	45713-92L00	STOPPER, SHALLOW WATER DRIVE	1	
30	09111-10067	BOLT (10X20.5)	2	
31	09116-06225	BOLT (6X15)	1	
32	09160-05029	WASHER (5.5X12X0.8)	1	
33	09204-01002	PIN	1	
34	09205-08002	SPRING PIN (8X16)	1	

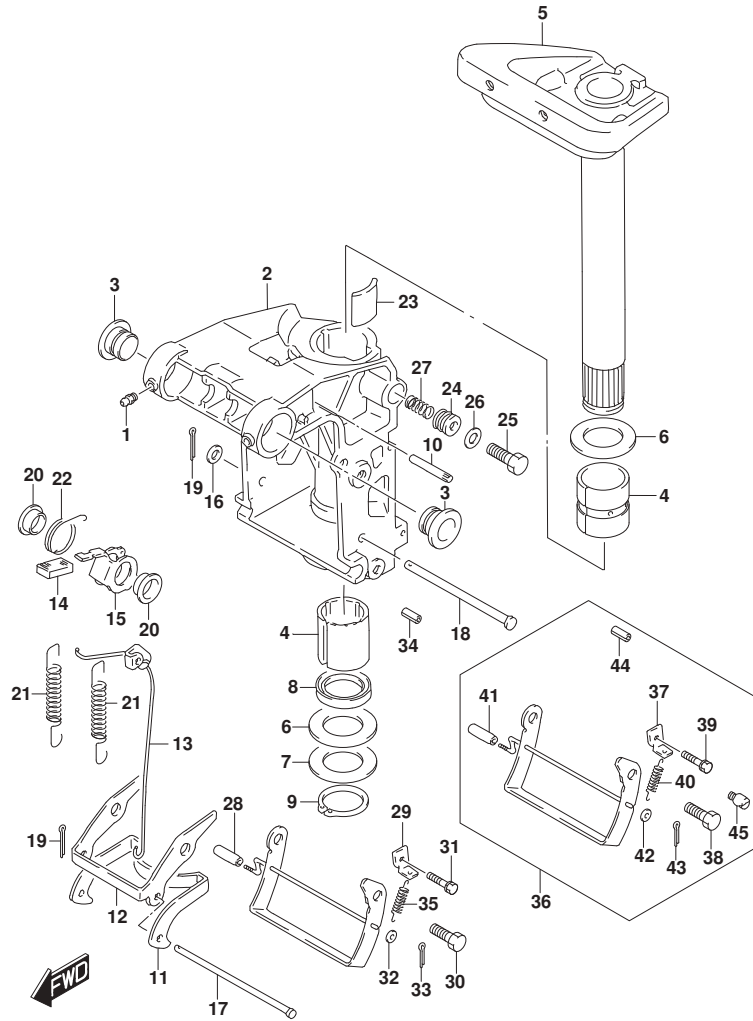


FIG.336B

FIG.336B (1-1-2) SWIVEL BRACKET (DT40W P90)

REF NO.	PART NO.	DESCRIPTION	Q'TY	REMARKS
35	09443-12039	SPRING	1	
36	45700-92L00	SHALLOW WATER DRIVE ASSY	1	OPT
37	45713-92L00	.STOPPER, SHALLOW WATER	1	OPT
38	09111-10045	.BOLT (10X20.8)	2	OPT
39	09117-06030	.BOLT (6X16)	1	OPT
40	09443-12039	.SPRING	1	OPT
41	45255-95500	.KNOB, RELEASE LEVER	1	OPT
42	09160-05029	.WASHER (5.5X12X0.8)	1	OPT
43	09204-01002	.PIN	1	OPT
44	09205-08002	.SPRING PIN (8X16)	1	OPT
45	45331-94610	.PIN, SHALLOW DRIVE	1	OPT

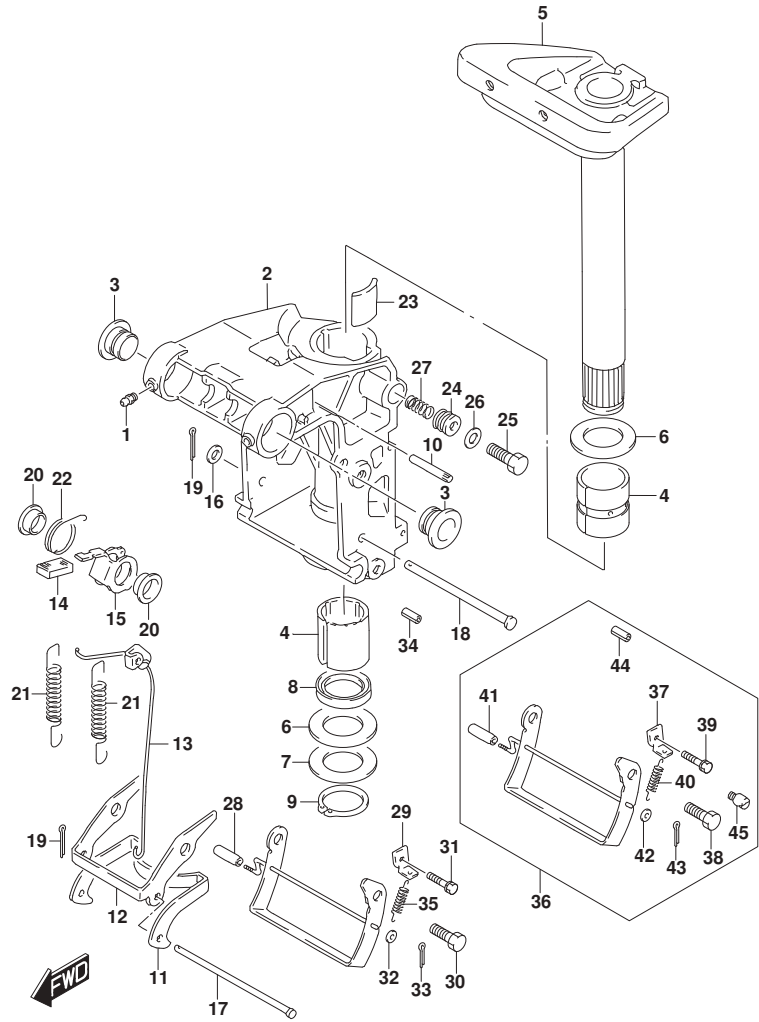


FIG.336C

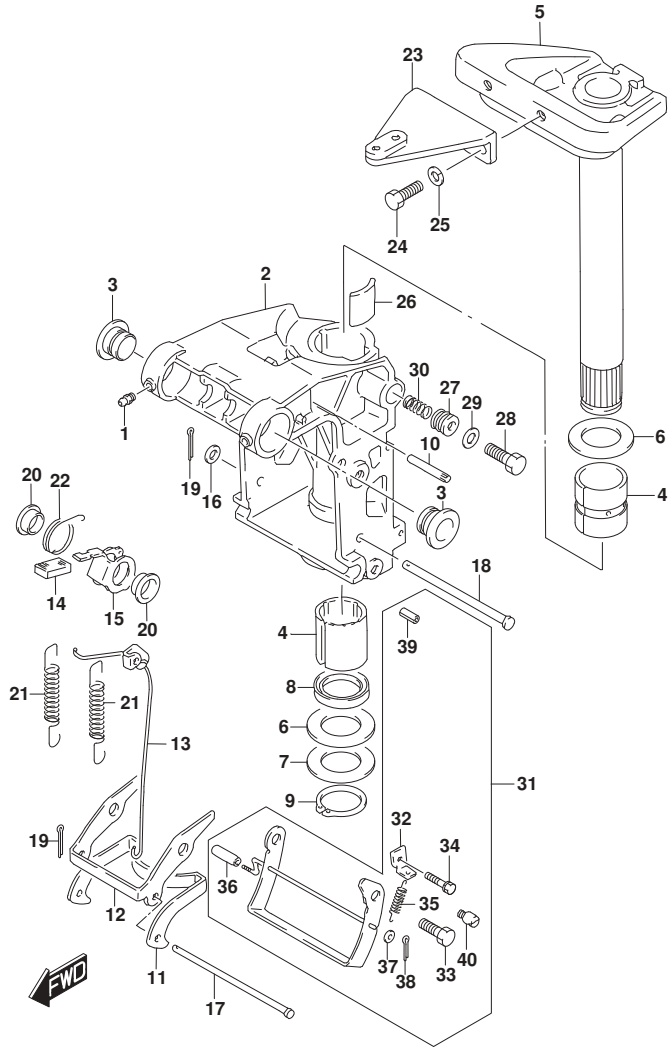


FIG.336C (1-I-3) SWIVEL BRACKET (DT40WR P40)

REF NO.	PART NO.	DESCRIPTION	Q'TY	REMARKS
1	22511-99011	NIPPLE, GREASE	3	
2	43111-92L10-0EP	BRACKET, SWIVEL (BLACK)	1	
3	43211-87JL0	BUSH, SWIVEL BRACKET	2	
4	43711-97E01	BUSH, STEERING	2	
5	43750-92L20-0EP	BRACKET, STEERING (BLACK)	1	
6	09160-39001	WASHER (39.5X64X1)	3	
7	09181-39001	SHIM (39.5X64X0.3)	AR	
8	09282-39001	OIL SEAL (39X51X5)	1	
9	09380-38003	CIRCLIP	1	
10	41225-94502	PIN, RELEASE ARM	1	
11	45231-92L00	ARM, REVERSE LOCK	1	
12	45241-92L00	LINK, REVERSE LOCK ARM	1	
13	45250-92L00	LINK, RELEASE	1	
14	45255-93001	RUBBER, RELEASE LEVER	1	
15	45261-92L00	LEVER, RELEASE	1	
16	09160-08091	WASHER (8.5X14X1.0)	1	
17	09200-05015	PIN (5X117)	1	
18	09200-08043	PIN (8X11)	1	
19	09204-01002	PIN	2	
20	09306-22006	BUSH (22.6X27X8)	2	
21	09443-15031	SPRING	2	
22	09448-29018	SPRING	1	
23	43755-97E01	ATTACHMENT, STEERING BRACKET	1	
24	09100-10316	BOLT (10X25)	2	
25	09162-10005	LOCK WASHER	2	
26	43411-97E00	ADJUSTER, STEERING	1	
27	43412-93900	COVER, STEERING ADJUSTER	1	
28	09100-08309	BOLT (8X35)	1	
29	09160-08091	WASHER (8.5X14X1.0)	1	
30	29440-93J00	SPRING, STEERING ADJUSTER	1	

FIG.336C

FIG.336C (1-1-4) SWIVEL BRACKET (DT40WR P40)

REF NO.	PART NO.	DESCRIPTION	Q'TY	REMARKS
31	45700-92L00	SHALLOW WATER DRIVE ASSY	1	OPT
32	45713-92L00	.STOPPER, SHALLOW WATER	1	OPT
33	09111-10045	.BOLT (10X20.8)	2	OPT
34	09117-06030	.BOLT (6X16)	1	OPT
35	09443-12039	.SPRING	1	OPT
36	45255-95500	.KNOB, RELEASE LEVER	1	OPT
37	09160-05029	.WASHER (5.5X12X0.8)	1	OPT
38	09204-01002	.PIN	1	OPT
39	09205-08002	.SPRING PIN (8X16)	1	OPT
40	45331-94610	.PIN, SHALLOW DRIVE	1	OPT

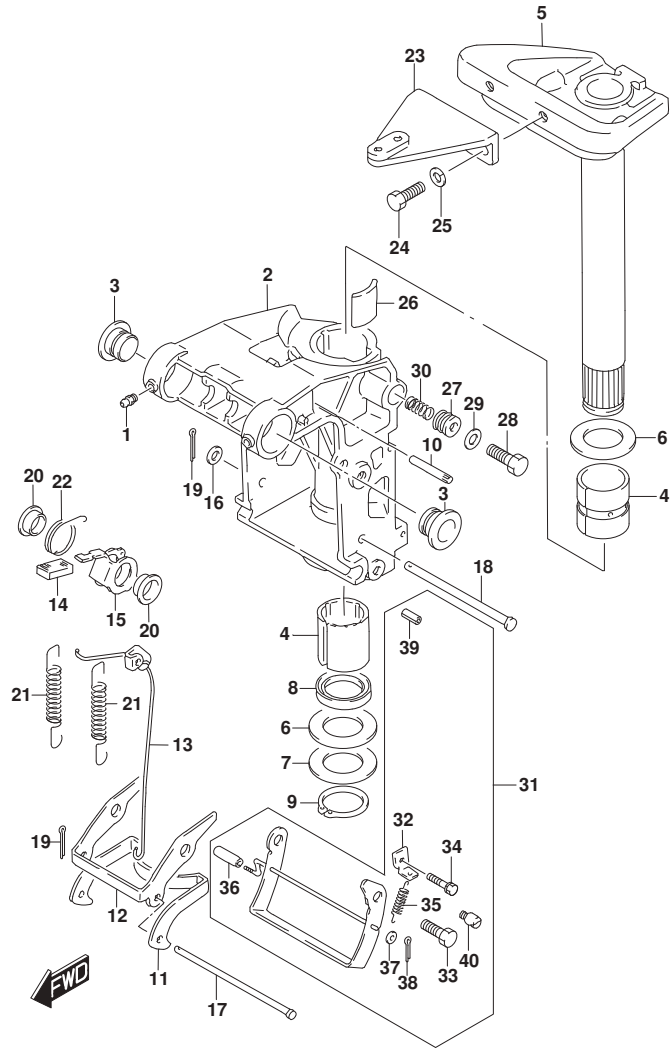


FIG.336D

FIG.336D (1-I-5) SWIVEL BRACKET (DT40WR P90)

REF NO.	PART NO.	DESCRIPTION	Q'TY	REMARKS
1	22511-99011	NIPPLE, GREASE	3	
2	43111-92L10-0EP	BRACKET, SWIVEL (BLACK)	1	
3	43211-87JL0	BUSH, SWIVEL BRACKET	2	
4	43711-97E01	BUSH, STEERING	2	
5	43750-92L20-0EP	BRACKET, STEERING (BLACK)	1	
6	09160-39001	WASHER (39.5X64X1)	3	
7	09181-39001	SHIM (39.5X64X0.3)	AR	
8	09282-39001	OIL SEAL (39X51X5)	1	
9	09380-38003	CIRCLIP	1	
10	41225-94502	PIN, RELEASE ARM	1	
11	45231-92L00	ARM, REVERSE LOCK	1	
12	45241-92L00	LINK, REVERSE LOCK ARM	1	
13	45250-92L00	LINK, RELEASE	1	
14	45255-93001	RUBBER, RELEASE LEVER	1	
15	45261-92L00	LEVER, RELEASE	1	
16	09160-08091	WASHER (8.5X14X1.0)	1	
17	09200-05015	PIN (5X117)	1	
18	09200-08043	PIN (8X11)	1	
19	09204-01002	PIN	2	
20	09306-22006	BUSH (22.6X27X8)	2	
21	09443-15031	SPRING	2	
22	09448-29018	SPRING	1	
23	43755-97E01	ATTACHMENT, STEERING BRACKET	1	
24	09100-10316	BOLT (10X25)	2	
25	09162-10005	LOCK WASHER	2	
26	43411-97E00	ADJUSTER, STEERING	1	
27	43412-93900	COVER, STEERING ADJUSTER	1	
28	09100-08309	BOLT (8X35)	1	
29	09160-08091	WASHER (8.5X14X1.0)	1	
30	29440-93J00	SPRING, STEERING ADJUSTER	1	
31	45255-95500	KNOB, RELEASE LEVER	1	
32	45713-92L00	STOPPER, SHALLOW WATER DRIVE	1	
33	09111-10067	BOLT (10X20.5)	2	
34	09116-06225	BOLT (6X15)	1	

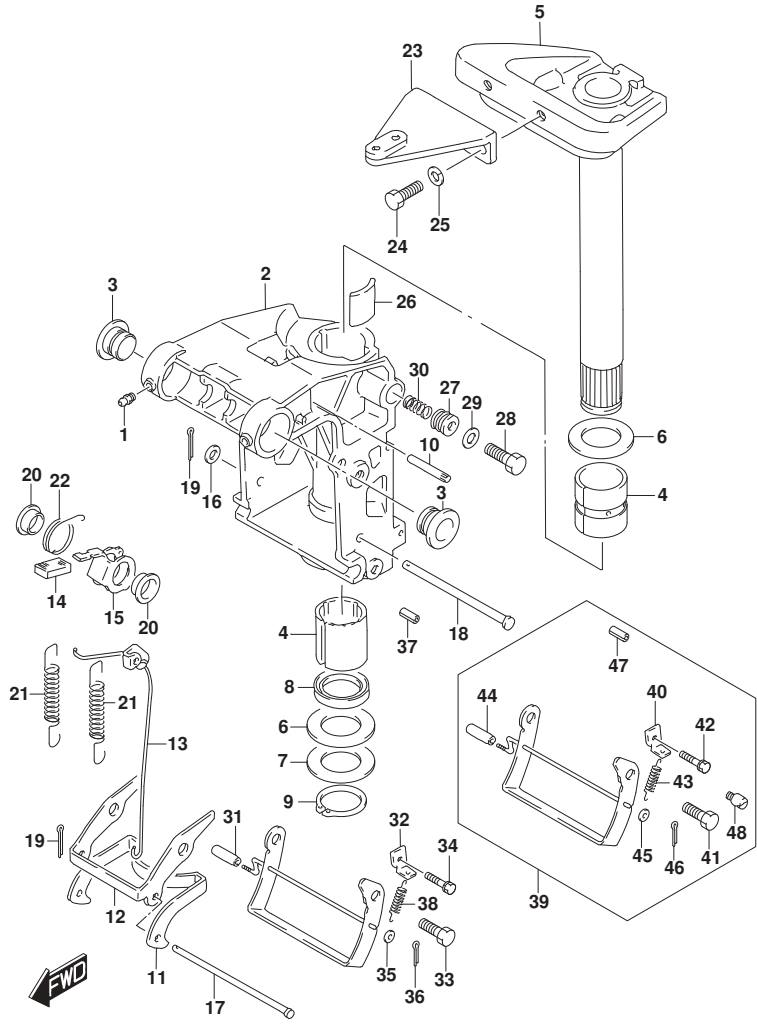


FIG.336D

FIG.336D (1-I-6) SWIVEL BRACKET (DT40WR P90)

REF NO.	PART NO.	DESCRIPTION	Q'TY	REMARKS
35	09160-05029	WASHER (5.5X12X0.8)	1	
36	09204-01002	PIN	1	
37	09205-08002	SPRING PIN (8X16)	1	
38	09443-12039	SPRING	1	
39	45700-92L00	SHALLOW WATER DRIVE ASSY	1	OPT
40	45713-92L00	.STOPPER, SHALLOW WATER	1	OPT
41	09111-10045	.BOLT (10X20.8)	2	OPT
42	09117-06030	.BOLT (6X16)	1	OPT
43	09443-12039	.SPRING	1	OPT
44	45255-95500	.KNOB, RELEASE LEVER	1	OPT
45	09160-05029	.WASHER (5.5X12X0.8)	1	OPT
46	09204-01002	.PIN	1	OPT
47	09205-08002	.SPRING PIN (8X16)	1	OPT
48	45331-94610	.PIN, SHALLOW DRIVE	1	OPT

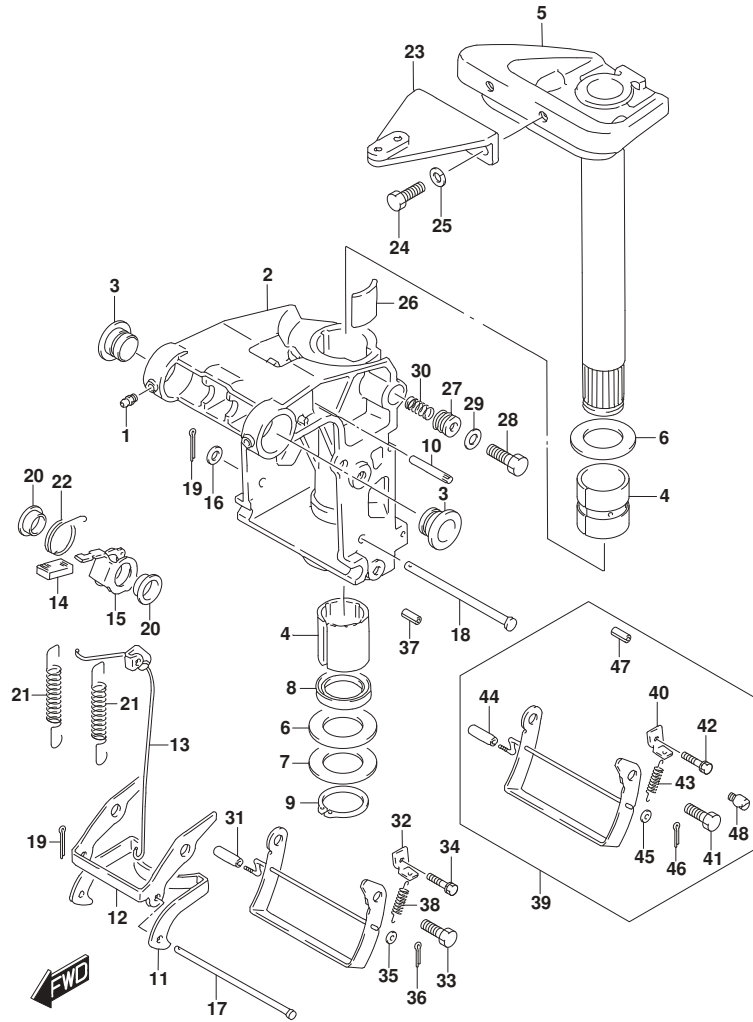


FIG.336E

FIG.336E (1-I-7) SWIVEL BRACKET (DT40WK P40)

REF NO.	PART NO.	DESCRIPTION	Q'TY	REMARKS
1	22511-99011	NIPPLE, GREASE	3	
2	43111-92L10-0EP	BRACKET, SWIVEL (BLACK)	1	
3	43211-87JL0	BUSH, SWIVEL BRACKET	2	
4	43711-97E01	BUSH, STEERING	2	
5	43750-92L20-0EP	BRACKET, STEERING (BLACK)	1	
6	09160-39001	WASHER (39.5X64X1)	3	
7	09181-39001	SHIM (39.5X64X0.3)	AR	
8	09282-39001	OIL SEAL (39X51X5)	1	
9	09380-38003	CIRCLIP	1	
10	41225-94502	PIN, RELEASE ARM	1	
11	45231-92L00	ARM, REVERSE LOCK	1	
12	45241-92L00	LINK, REVERSE LOCK ARM	1	
13	45250-92L00	LINK, RELEASE	1	
14	45255-93001	RUBBER, RELEASE LEVER	1	
15	45261-92L00	LEVER, RELEASE	1	
16	09160-08091	WASHER (8.5X14X1.0)	1	
17	09200-05015	PIN (5X117)	1	
18	09200-08043	PIN (8X11)	1	
19	09204-01002	PIN	2	
20	09306-22006	BUSH (22.6X27X8)	2	
21	09443-15031	SPRING	2	
22	09448-29018	SPRING	1	
23	43411-97E00	ADJUSTER, STEERING	1	
24	43412-93900	COVER, STEERING ADJUSTER	1	
25	09100-08309	BOLT (8X35)	1	
26	09160-08091	WASHER (8.5X14X1.0)	1	
27	29440-93J00	SPRING, STEERING ADJUSTER	1	

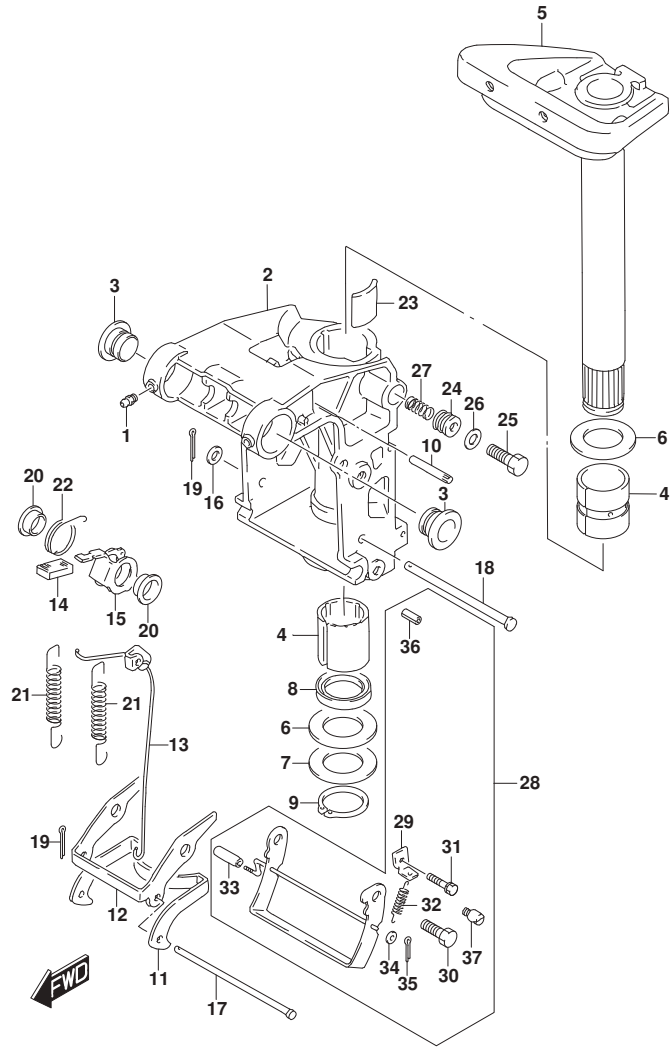


FIG.336E

FIG.336E (1-1-8) SWIVEL BRACKET (DT40WK P40)

REF NO.	PART NO.	DESCRIPTION	Q'TY	REMARKS
28	45700-92L00	SHALLOW WATER DRIVE ASSY	1	OPT
29	45713-92L00	.STOPPER, SHALLOW WATER	1	OPT
30	09111-10045	.BOLT (10X20.8)	2	OPT
31	09117-06030	.BOLT (6X16)	1	OPT
32	09443-12039	.SPRING	1	OPT
33	45255-95500	.KNOB, RELEASE LEVER	1	OPT
34	09160-05029	.WASHER (5.5X12X0.8)	1	OPT
35	09204-01002	.PIN	1	OPT
36	09205-08002	.SPRING PIN (8X16)	1	OPT
37	45331-94610	.PIN, SHALLOW DRIVE	1	OPT

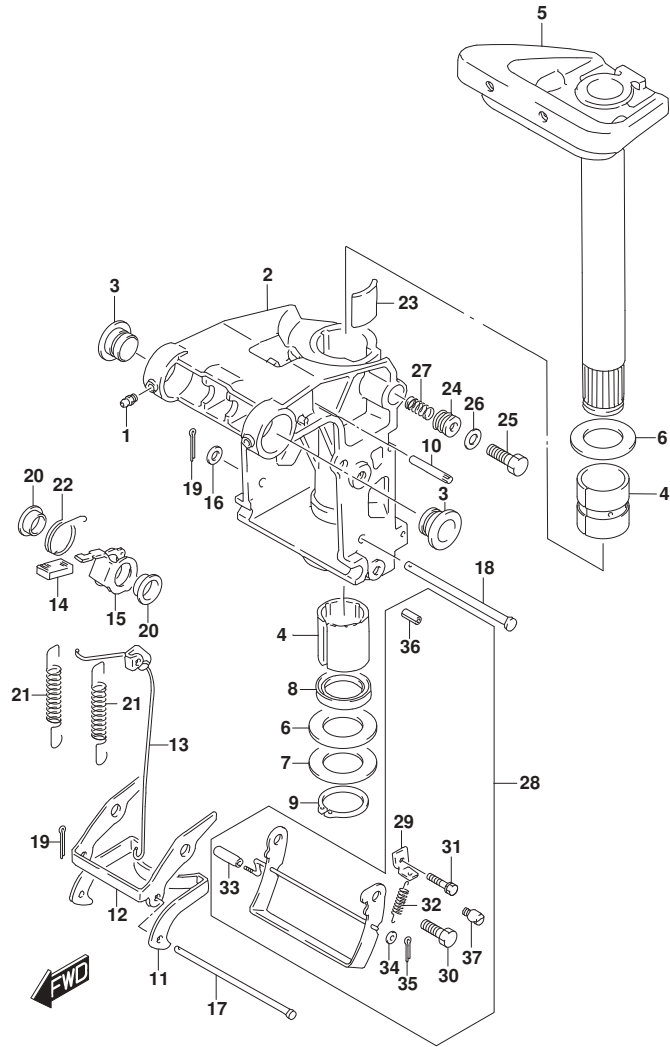


FIG.405A

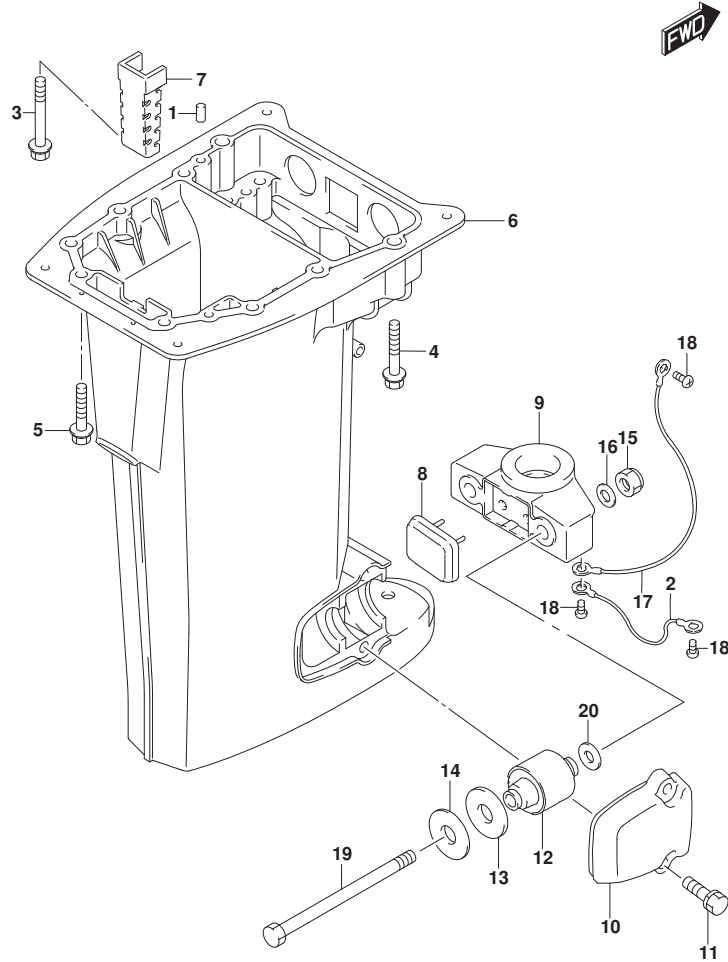


FIG.405A (1-I-9) DRIVE SHAFT HOUSING (DT40W P40)

REF NO.	PART NO.	DESCRIPTION	Q'TY	REMARKS
1	09202-06031	PIN (6X12)	2	
2	36894-95201	LEAD (L:165)	1	
3	09118-08172	BOLT (8X85)	1	
4	09118-08171	BOLT (8X75)	2	
5	09118-08168	BOLT (8X50)	6	
6-1	52110-92L30-0EP	HOUSING, DRIVE SHAFT (S) (BLACK)	1	W/TRANSOM(S)
6-2	52110-92L50-0EP	HOUSING, DRIVE SHAFT (SL) (BLACK)	1	W/TRANSOM(L)
6-3	52110-92L40-0EP	HOUSING, DRIVE SHAFT (L) (BLACK)	1	W/TRANSOM(L2)
7	11435-94400	PLATE, EXHAUST RELEASE	1	
8	54151-99E00	MOUNT, LOWER THRUST	1	
9	54211-92L00-0EP	BRACKET, LOWER MOUNT (BLACK)	1	
10	54221-92L10-0EP	COVER, LOWER MOUNT (BLACK)	2	
11	09116-08153	BOLT (8X35)	4	
12-1	54160-94410	MOUNT, LOWER	2	W/TRANSOM(S) W/TRANSOM(L)
12-2	54160-92L00	MOUNT, LOWER	2	W/TRANSOM(L2)
13	54165-94400	DAMPER, REVERSE STOP, LOWER	2	
14	09160-13018	WASHER (13X40X3)	2	
15	09159-12014	NUT	2	
16	09160-12066	WASHER (12.5X22X2.5)	2	
17	36894-94401	LEAD (L:195)	1	
18	29125-93J10	SCREW	3	
19	09100-12123	BOLT (12X125)	2	
20	09160-12108	WASHER (12X28X1)	2	

FIG.405B

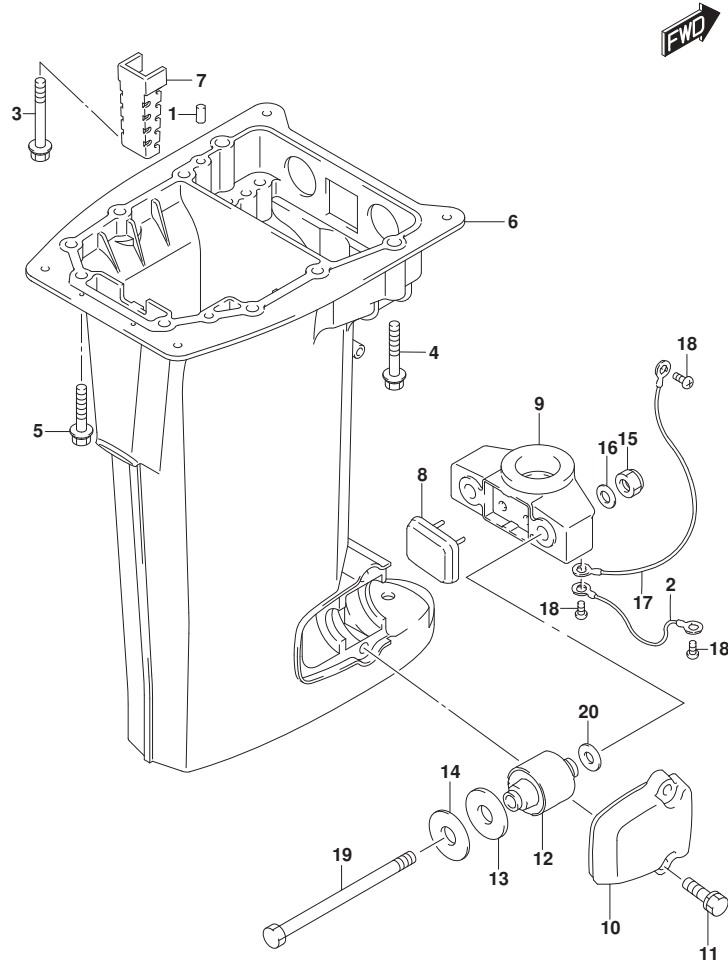


FIG.405B (1-I-10) DRIVE SHAFT HOUSING (DT40W P90)

REF NO.	PART NO.	DESCRIPTION	Q'TY	REMARKS
1	09202-06031	PIN (6X12)	2	
2	36894-95201	LEAD (L:165)	1	
3	09118-08172	BOLT (8X85)	1	
4	09118-08171	BOLT (8X75)	2	
5	09118-08168	BOLT (8X50)	6	
6-1	52110-92L30-0EP	HOUSING, DRIVE SHAFT (S) (BLACK)	1	W/TRANSOM(S)
6-2	52110-92L50-0EP	HOUSING, DRIVE SHAFT (SL) (BLACK)	1	W/TRANSOM(L)
6-3	52110-92L40-0EP	HOUSING, DRIVE SHAFT (L) (BLACK)	1	W/TRANSOM(L2)
7	11435-94400	PLATE, EXHAUST RELEASE	1	
8	54151-99E00	MOUNT, LOWER THRUST	1	
9	54211-92L00-0EP	BRACKET, LOWER MOUNT (BLACK)	1	
10	54221-92L10-0EP	COVER, LOWER MOUNT (BLACK)	2	
11	09116-08153	BOLT (8X35)	4	
12-1	54160-94410	MOUNT, LOWER	2	W/TRANSOM(S) W/TRANSOM(L)
12-2	54160-92L00	MOUNT, LOWER	2	W/TRANSOM(L2)
13	54165-94400	DAMPER, REVERSE STOP, LOWER	2	
14	09160-13018	WASHER (13X40X3)	2	
15	09159-12014	NUT	2	
16	09160-12066	WASHER (12.5X22X2.5)	2	
17	36894-94401	LEAD (L:195)	1	
18	29125-93J10	SCREW	3	
19	09100-12123	BOLT (12X125)	2	
20	09160-12108	WASHER (12X28X1)	2	

FIG.405C

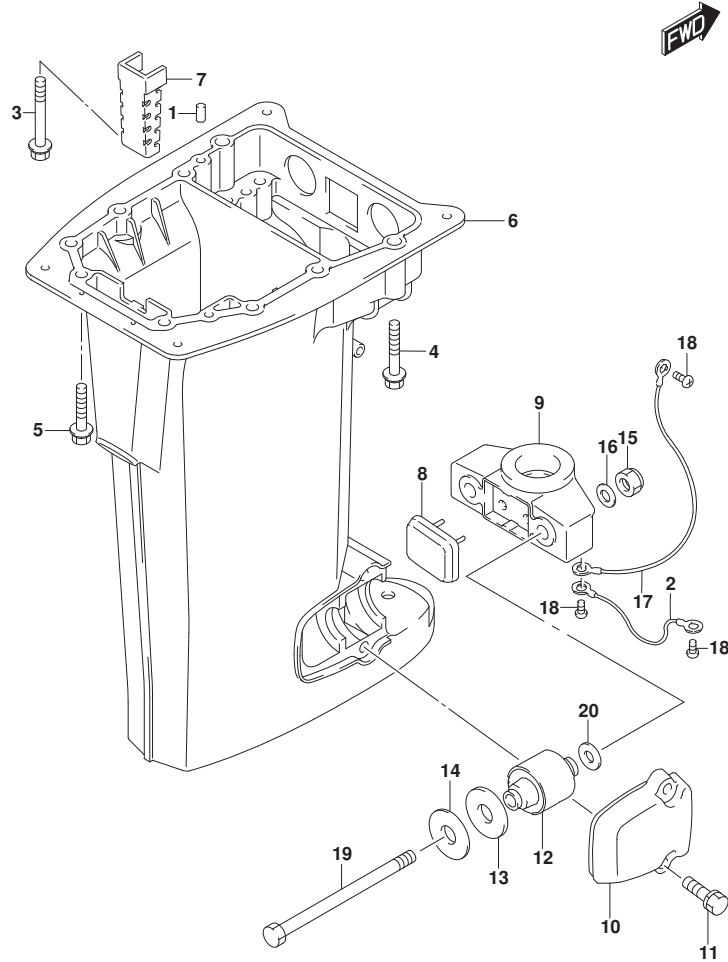


FIG.405C (1-I-11) DRIVE SHAFT HOUSING (DT40WR P40)

REF NO.	PART NO.	DESCRIPTION	Q'TY	REMARKS
1	09202-06031	PIN (6X12)	2	
2	36894-95201	LEAD (L:165)	1	
3	09118-08172	BOLT (8X85)	1	
4	09118-08171	BOLT (8X75)	2	
5	09118-08168	BOLT (8X50)	6	
6-1	52110-92L50-0EP	HOUSING, DRIVE SHAFT (SL) (BLACK)	1	W/TRANSOM(L)
6-2	52110-92L40-0EP	HOUSING, DRIVE SHAFT (L) (BLACK)	1	W/TRANSOM(L2)
7	11435-94400	PLATE, EXHAUST RELEASE	1	
8	54151-99E00	MOUNT, LOWER THRUST	1	
9	54211-92L00-0EP	BRACKET, LOWER MOUNT (BLACK)	1	
10	54221-92L10-0EP	COVER, LOWER MOUNT (BLACK)	2	
11	09116-08153	BOLT (8X35)	4	
12-1	54160-94410	MOUNT, LOWER	2	W/TRANSOM(L)
12-2	54160-92L00	MOUNT, LOWER	2	W/TRANSOM(L2)
13	54165-94400	DAMPER, REVERSE STOP, LOWER	2	
14	09160-13018	WASHER (13X40X3)	2	
15	09159-12014	NUT	2	
16	09160-12066	WASHER (12.5X22X2.5)	2	
17	36894-94401	LEAD (L:195)	1	
18	29125-93J10	SCREW	3	
19	09100-12123	BOLT (12X125)	2	
20	09160-12108	WASHER (12X28X1)	2	

FIG.405D

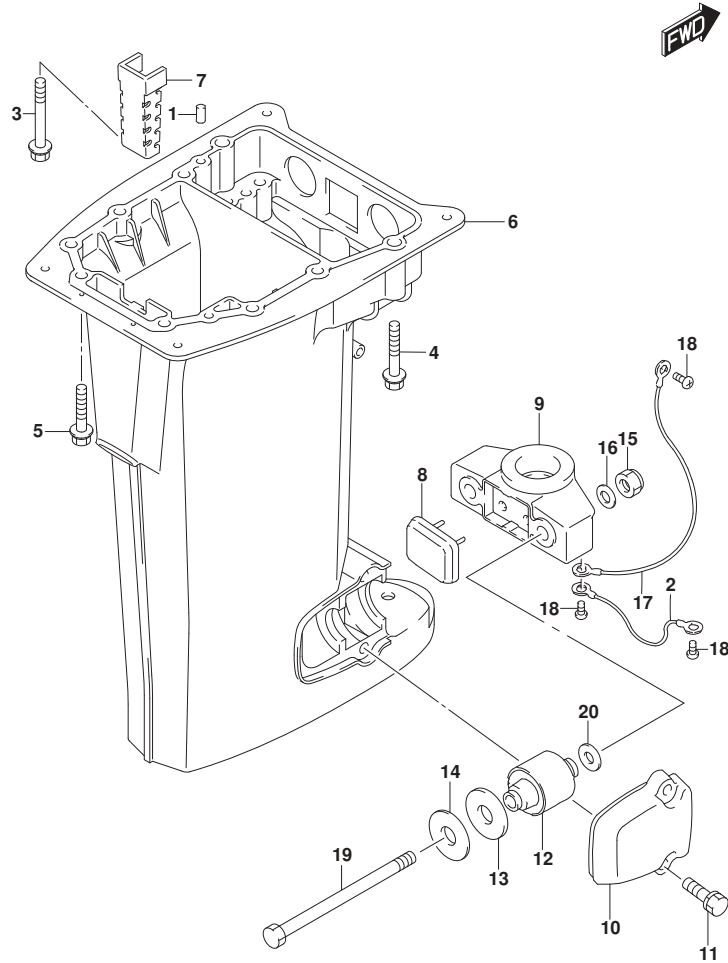


FIG.405D (1-I-12) DRIVE SHAFT HOUSING (DT40WR P90)

REF NO.	PART NO.	DESCRIPTION	Q'TY	REMARKS
1	09202-06031	PIN (6X12)	2	
2	36894-95201	LEAD (L:165)	1	
3	09118-08172	BOLT (8X85)	1	
4	09118-08171	BOLT (8X75)	2	
5	09118-08168	BOLT (8X50)	6	
6-1	52110-92L30-0EP	HOUSING, DRIVE SHAFT (S) (BLACK)	1	W/TRANSOM(S)
6-2	52110-92L50-0EP	HOUSING, DRIVE SHAFT (SL) (BLACK)	1	W/TRANSOM(L)
6-3	52110-92L40-0EP	HOUSING, DRIVE SHAFT (L) (BLACK)	1	W/TRANSOM(L2)
7	11435-94400	PLATE, EXHAUST RELEASE	1	
8	54151-99E00	MOUNT, LOWER THRUST	1	
9	54211-92L00-0EP	BRACKET, LOWER MOUNT (BLACK)	1	
10	54221-92L10-0EP	COVER, LOWER MOUNT (BLACK)	2	
11	09116-08153	BOLT (8X35)	4	
12-1	54160-94410	MOUNT, LOWER	2	W/TRANSOM(S) W/TRANSOM(L)
12-2	54160-92L00	MOUNT, LOWER	2	W/TRANSOM(L2)
13	54165-94400	DAMPER, REVERSE STOP, LOWER	2	
14	09160-13018	WASHER (13X40X3)	2	
15	09159-12014	NUT	2	
16	09160-12066	WASHER (12.5X22X2.5)	2	
17	36894-94401	LEAD (L:195)	1	
18	29125-93J10	SCREW	3	
19	09100-12123	BOLT (12X125)	2	
20	09160-12108	WASHER (12X28X1)	2	

FIG.405E

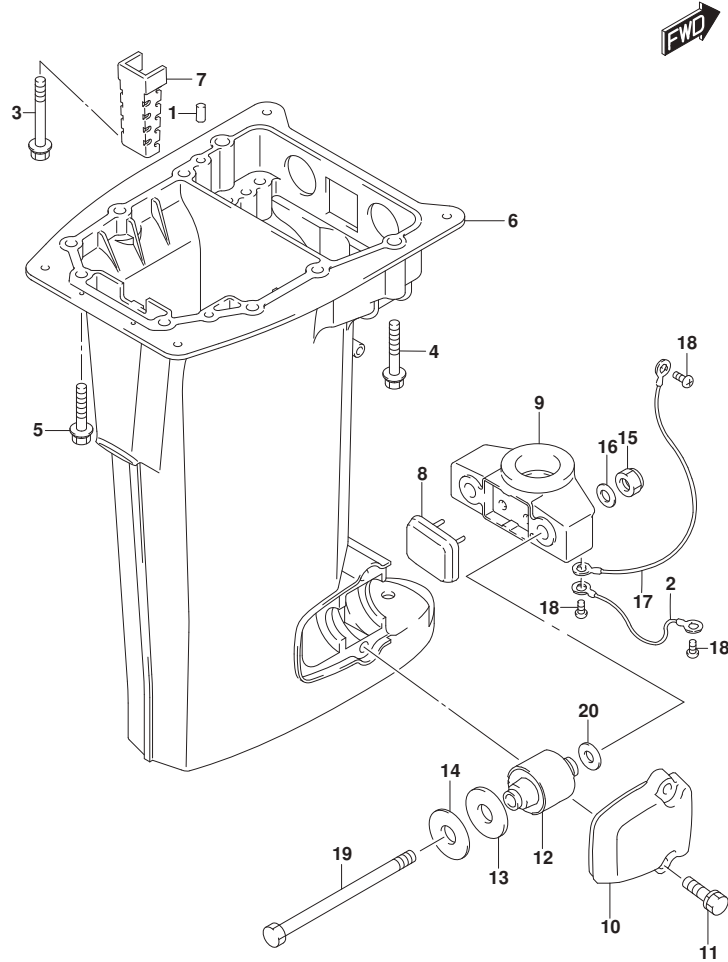


FIG.405E (1-I-13) DRIVE SHAFT HOUSING (DT40WK P40)

REF NO.	PART NO.	DESCRIPTION	Q'TY	REMARKS
1	09202-06031	PIN (6X12)	2	
2	36894-95201	LEAD (L:165)	1	
3	09118-08172	BOLT (8X85)	1	
4	09118-08171	BOLT (8X75)	2	
5	09118-08168	BOLT (8X50)	6	
6-1	52110-92L30-0EP	HOUSING, DRIVE SHAFT (S) (BLACK)	1	W/TRANSOM(S)
6-2	52110-92L50-0EP	HOUSING, DRIVE SHAFT (SL) (BLACK)	1	W/TRANSOM(L)
6-3	52110-92L40-0EP	HOUSING, DRIVE SHAFT (L) (BLACK)	1	W/TRANSOM(L2)
7	11435-94400	PLATE, EXHAUST RELEASE	1	
8	54151-99E00	MOUNT, LOWER THRUST	1	
9	54211-92L00-0EP	BRACKET, LOWER MOUNT (BLACK)	1	
10	54221-92L10-0EP	COVER, LOWER MOUNT (BLACK)	2	
11	09116-08153	BOLT (8X35)	4	
12-1	54160-94410	MOUNT, LOWER	2	W/TRANSOM(S) W/TRANSOM(L)
12-2	54160-92L00	MOUNT, LOWER	2	W/TRANSOM(L2)
13	54165-94400	DAMPER, REVERSE STOP, LOWER	2	
14	09160-13018	WASHER (13X40X3)	2	
15	09159-12014	NUT	2	
16	09160-12066	WASHER (12.5X22X2.5)	2	
17	36894-94401	LEAD (L:195)	1	
18	29125-93J10	SCREW	3	
19	09100-12123	BOLT (12X125)	2	
20	09160-12108	WASHER (12X28X1)	2	

FIG.407A

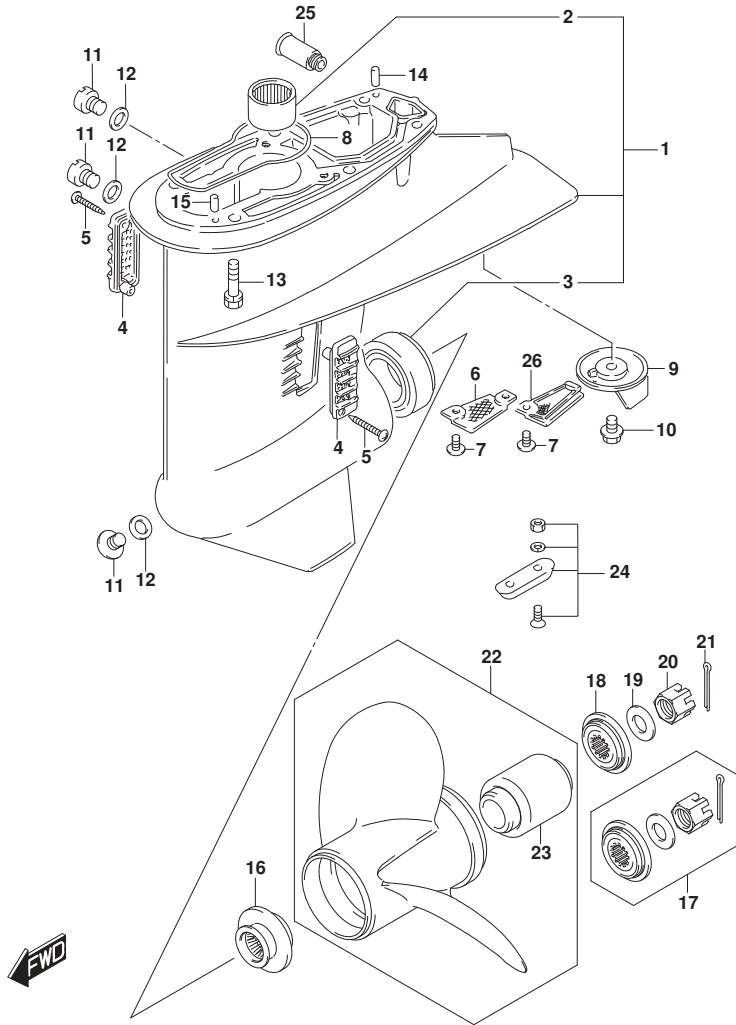


FIG.407A (1-14) GEAR CASE

REF NO.	PART NO.	DESCRIPTION	Q'TY	REMARKS
1	55100-92L20-0EP	CASE ASSY, GEAR (BLACK)	1	
2	09263-22039	.BEARING (22X30X30)	1	
3	09265-30004	.BEARING (30X62X17.25)	1	
4	17631-91L00	FILTER, WATER	2	
5	03142-04309	SCREW	2	
6	17635-87E00	FILTER, SUB WATER	1	
7	09125-05046	SCREW (5X12)	2	
8	55122-88L00	RING, GEAR CASE SEAL	1	
9	55125-92L00	TAB, TRIM	1	
10	09116-08147	BOLT (8X16)	1	
11	09248-10008	PLUG (10X7.5)	3	
12	09168-10022	GASKET (10X17X1.5)	3	
13	09116-08155	BOLT (8X45)	6	
14	09202-06027	PIN (6X23)	1	
15	09202-06025	PIN (6X17)	1	
16	57632-92L00	STOPPER, PROPELLER BUSH	1	
17	57630-92L00	PROPELLER NUT KIT	1	OPT
18	57633-94300	SPACER, PROPELLER NUT	1	
19	09160-16054	WASHER	1	
20	09141-16008	NUT	1	
21	09204-03003	COTTER PIN (D:3.6,L:25)	1	
22-1	58100-88L13-019	PROPELLER (3X11-1/2X10) (BLACK)	1	
22-2	58100-88L23-019	PROPELLER (3X11-1/2X11) (BLACK)	1	
22-3	58100-88LA0-019	PROPELLER (3X11-5/8X12) (BLACK)	1	
22-4	58100-88LB0-019	PROPELLER (3X11-1/2X13) (BLACK)	1	
22-5	58100-88L52-019	PROPELLER (3X11-3/8X14) (BLACK)	1	
22-6	58100-88L62-019	PROPELLER (3X11-1/4X15) (BLACK)	1	
23	58120-88L01	.BUSH, PROPELLER	1	

FIG.407A

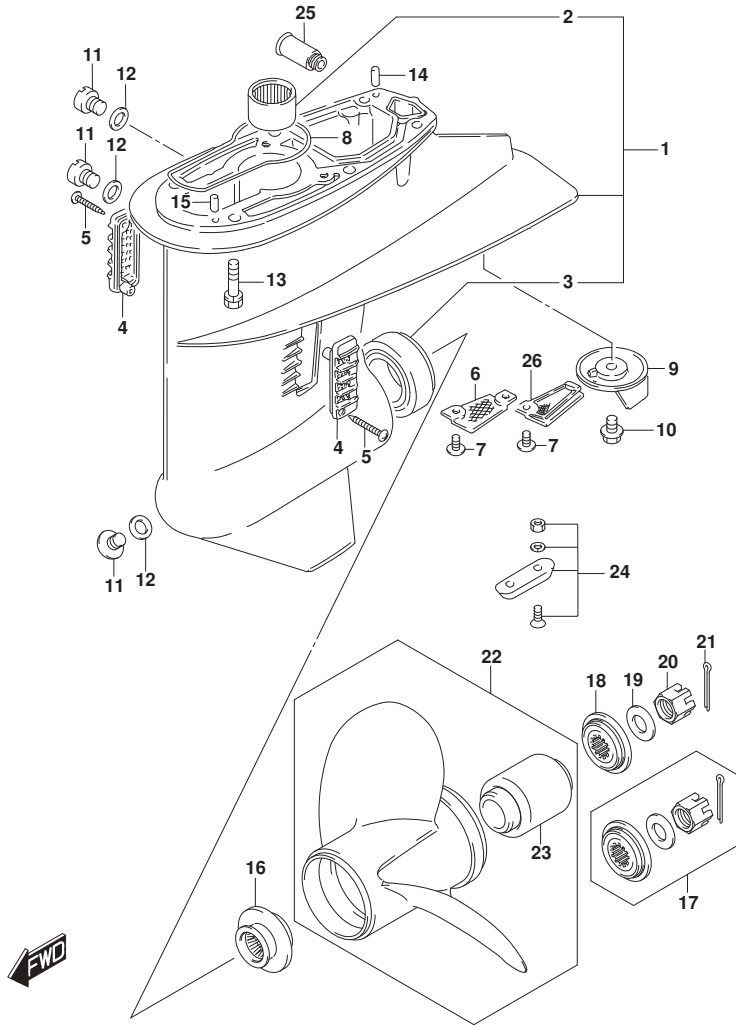


FIG.407A (1-I-15) GEAR CASE

REF NO.	PART NO.	DESCRIPTION	Q'TY	REMARKS
24	55300-95500	ZINC, PROTECTION	1	OPT
25	55181-95200	ATTACHMENT, FLUSH HOSE	1	OPT
26	17635-87E10	PLATE, GEAR CASE	1	OPT
27	25700-88L00	KIT, GEAR CASE RE-SEALING	1	OPT
				NOT ILLUSTRATED

FIG.412A

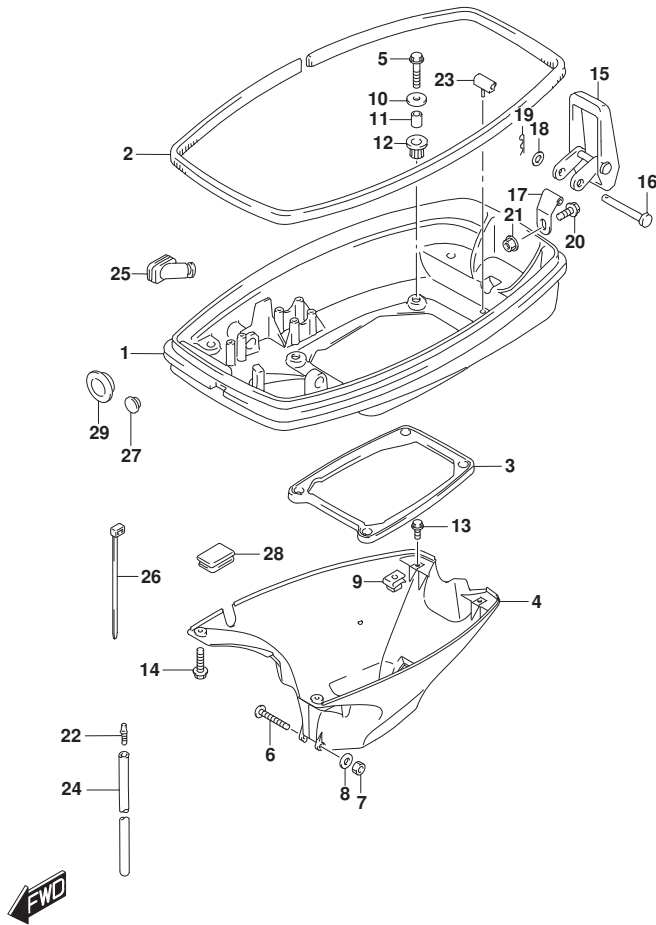


FIG.412A (1-J-2) LOWER COVER (DT40W P40)

REF NO.	PART NO.	DESCRIPTION	Q'TY	REMARKS
1	61111-92L10-0EP	COVER, ENGINE LOWER (BLACK)	1	
2	61112-94412	RUBBER, ENGINE LOWER COVER	1	
3	61113-92L00	SEAL, ENGINE LOWER COVER	1	
4	61131-92L00-RB4	COVER, ENGINE HOLDER (BLACK)	1	
5	09116-06232	BOLT (6X30)	4	
6	09125-05129	SCREW (5X50)	1	
7	09159-05042	NUT	1	
8	09160-05029	WASHER (5.5X12X0.8)	1	
9	09148-06017	NUT	2	
10	09160-06104	WASHER (6.5X24X2)	4	
11	09180-06295	SPACER (6.5X10X16)	4	
12	09320-10035	CUSHION	4	
13	09116-06227	BOLT (6X20)	2	
14	09116-06223	BOLT (6X12)	2	
15	61610-90L00	FASTENER	1	
16	61616-93EL0	PIN, LEVER	1	
17	61642-90L00	HOLDER, FASTENER LEVER	1	
18	09161-04012	WASHER (4.2X11X1)	1	
19	09385-04003	CLIP	1	
20	09116-06227	BOLT (6X20)	1	
21	08310-00067	NUT	1	
22	61155-94400	TUBE, WATER INSPECTION	1	
23	61138-944L0	COVER, WATER	3	
24	09352-50903-600	HOSE (5X9X600)	1	L:600->50
25	33811-94400	GROMMET, STARTER CABLE	1	W/ELECTRIC STARTER
26	09407-25402	CLAMP (L:250)	1	W/ELECTRIC STARTER
27	09250-12006	CAP (OD:20)	1	LAMP HOLE
28-1	39669-94400	PLUG, LOWER COVER	1	W/ELECTRIC STARTER
28-2	39669-94400	PLUG, LOWER COVER	2	W/MANUAL STARTER
29	09250-33001	CAP (OD:40)	1	W/MANUAL STARTER

FIG.412B

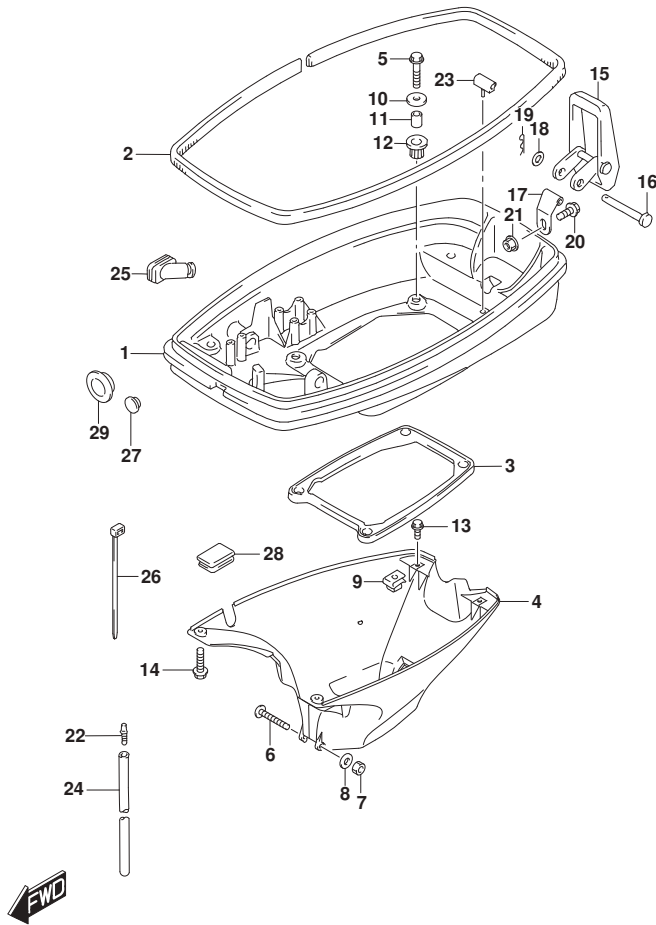


FIG.412B (1-J-3) LOWER COVER (DT40W P90)

REF NO.	PART NO.	DESCRIPTION	Q'TY	REMARKS
1	61111-92L10-0EP	COVER, ENGINE LOWER (BLACK)	1	
2	61112-94412	RUBBER, ENGINE LOWER COVER	1	
3	61113-92L00	SEAL, ENGINE LOWER COVER	1	
4	61131-92L00-RB4	COVER, ENGINE HOLDER (BLACK)	1	
5	09116-06232	BOLT (6X30)	4	
6	09125-05129	SCREW (5X50)	1	
7	09159-05042	NUT	1	
8	09160-05029	WASHER (5.5X12X0.8)	1	
9	09148-06017	NUT	2	
10	09160-06104	WASHER (6.5X24X2)	4	
11	09180-06295	SPACER (6.5X10X16)	4	
12	09320-10035	CUSHION	4	
13	09116-06227	BOLT (6X20)	2	
14	09116-06223	BOLT (6X12)	2	
15	61610-90L00	FASTENER	1	
16	61616-93EL0	PIN, LEVER	1	
17	61642-90L00	HOLDER, FASTENER LEVER	1	
18	09161-04012	WASHER (4.2X11X1)	1	
19	09385-04003	CLIP	1	
20	09116-06227	BOLT (6X20)	1	
21	08310-00067	NUT	1	
22	61155-94400	TUBE, WATER INSPECTION	1	
23	61138-944L0	COVER, WATER	3	
24	09352-50903-600	HOSE (5X9X600)	1	L:600->50
25	33811-94400	GROMMET, STARTER CABLE	1	W/ELECTRIC STARTER
26	09407-25402	CLAMP (L:250)	1	W/ELECTRIC STARTER
27	09250-12006	CAP (OD:20)	1	LAMP HOLE
28-1	39669-94400	PLUG, LOWER COVER	1	W/ELECTRIC STARTER
28-2	39669-94400	PLUG, LOWER COVER	2	W/MANUAL STARTER
29	09250-33001	CAP (OD:40)	1	W/MANUAL STARTER

FIG.412C

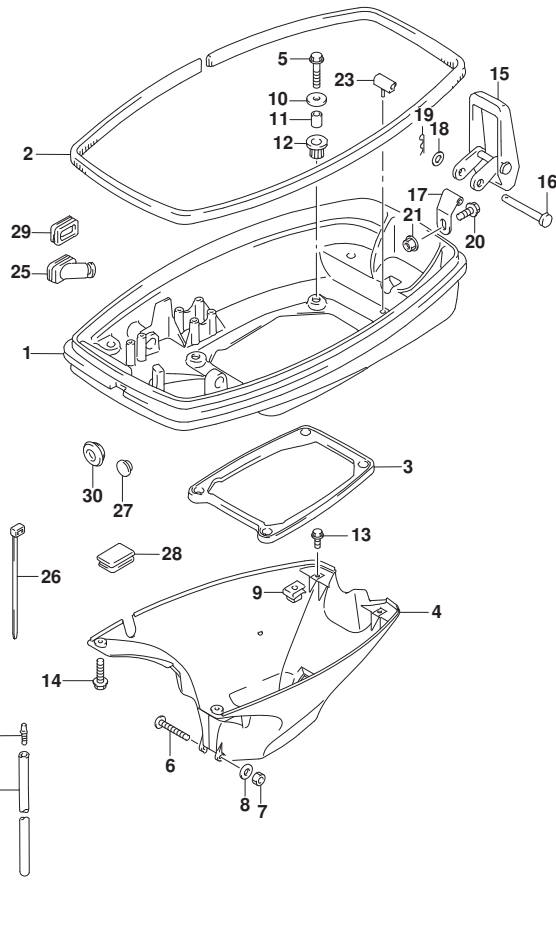


FIG.412C (1-J-4) LOWER COVER (DT40WR P40)

REF NO.	PART NO.	DESCRIPTION	Q'TY	REMARKS
1	61111-92L10-0EP	COVER, ENGINE LOWER (BLACK)	1	
2	61112-94412	RUBBER, ENGINE LOWER COVER	1	
3	61113-92L00	SEAL, ENGINE LOWER COVER	1	
4	61131-92L00-RB4	COVER, ENGINE HOLDER (BLACK)	1	
5	09116-06232	BOLT (6X30)	4	
6	09125-05129	SCREW (5X50)	1	
7	09159-05042	NUT	1	
8	09160-05029	WASHER (5.5X12X0.8)	1	
9	09148-06017	NUT	2	
10	09160-06104	WASHER (6.5X24X2)	4	
11	09180-06295	SPACER (6.5X10X16)	4	
12	09320-10035	CUSHION	4	
13	09116-06227	BOLT (6X20)	2	
14	09116-06223	BOLT (6X12)	2	
15	61610-90L00	FASTENER	1	
16	61616-93EL0	PIN, LEVER	1	
17	61642-90L00	HOLDER, FASTENER LEVER	1	
18	09161-04012	WASHER (4.2X11X1)	1	
19	09385-04003	CLIP	1	
20	09116-06227	BOLT (6X20)	1	
21	08310-00067	NUT	1	
22	61155-94400	TUBE, WATER INSPECTION	1	
23	61138-944L0	COVER, WATER	3	
24	09352-50903-600	HOSE (5X9X600)	1	L:600->50
25	33811-94400	GROMMET, STARTER CABLE	1	
26	09407-25402	CLAMP (L:250)	1	
27	09250-12006	CAP (OD:20)	1	LAMP HOLE
28	39669-94400	PLUG, LOWER COVER	1	
29	63625-94300	CAP, THROTTLE CABLE	1	
30	09250-16008	PLUG (OD:24)	1	

FIG.412D

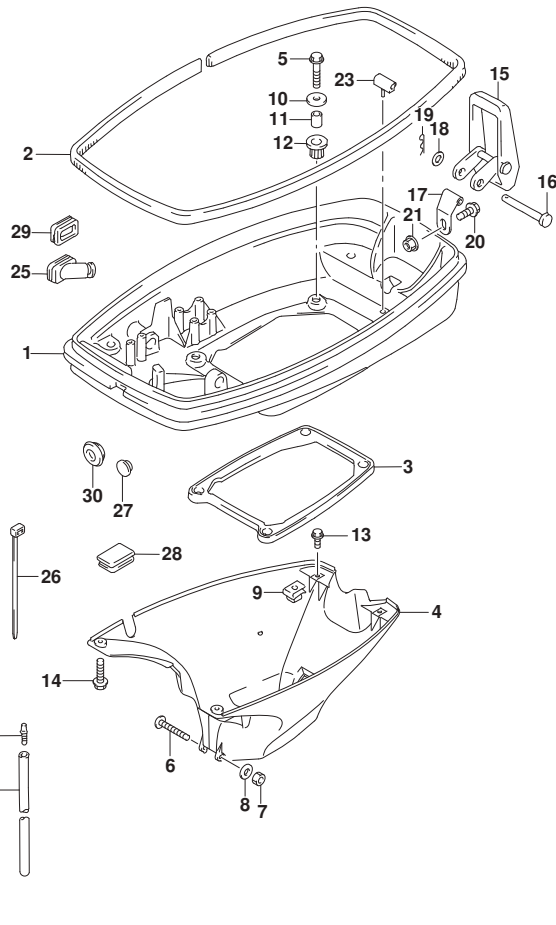


FIG.412D (1-J-5) LOWER COVER (DT40WR P90)

REF NO.	PART NO.	DESCRIPTION	Q'TY	REMARKS
1	61111-92L10-0EP	COVER, ENGINE LOWER (BLACK)	1	
2	61112-94412	RUBBER, ENGINE LOWER COVER	1	
3	61113-92L00	SEAL, ENGINE LOWER COVER	1	
4	61131-92L00-RB4	COVER, ENGINE HOLDER (BLACK)	1	
5	09116-06232	BOLT (6X30)	4	
6	09125-05129	SCREW (5X50)	1	
7	09159-05042	NUT	1	
8	09160-05029	WASHER (5.5X12X0.8)	1	
9	09148-06017	NUT	2	
10	09160-06104	WASHER (6.5X24X2)	4	
11	09180-06295	SPACER (6.5X10X16)	4	
12	09320-10035	CUSHION	4	
13	09116-06227	BOLT (6X20)	2	
14	09116-06223	BOLT (6X12)	2	
15	61610-90L00	FASTENER	1	
16	61616-93EL0	PIN, LEVER	1	
17	61642-90L00	HOLDER, FASTENER LEVER	1	
18	09161-04012	WASHER (4.2X11X1)	1	
19	09385-04003	CLIP	1	
20	09116-06227	BOLT (6X20)	1	
21	08310-00067	NUT	1	
22	61155-94400	TUBE, WATER INSPECTION	1	
23	61138-944L0	COVER, WATER	3	
24	09352-50903-600	HOSE (5X9X600)	1	L:600->50
25	33811-94400	GROMMET, STARTER CABLE	1	
26	09407-25402	CLAMP (L:250)	1	
27	09250-12006	CAP (OD:20)	1	LAMP HOLE
28	39669-94400	PLUG, LOWER COVER	1	
29	63625-94300	CAP, THROTTLE CABLE	1	
30	09250-16008	PLUG (OD:24)	1	

FIG.412E

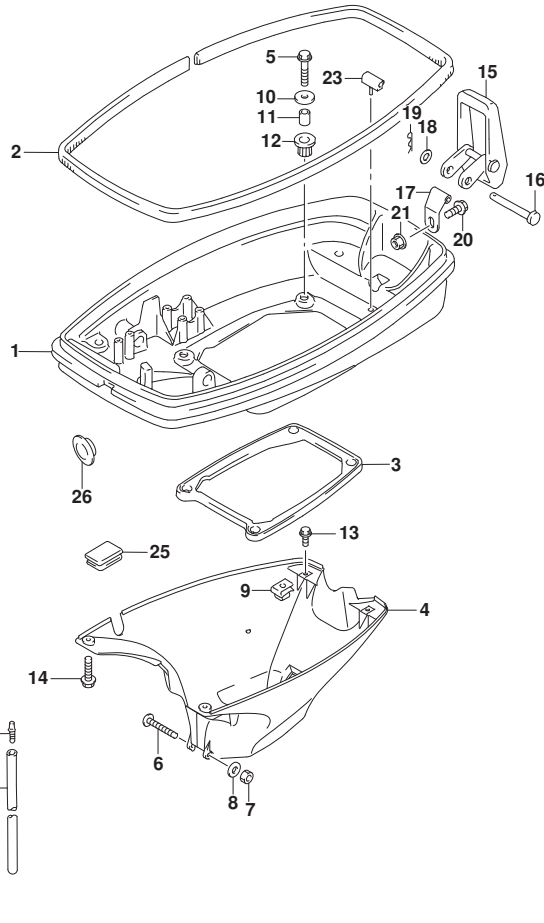


FIG.412E (1-J-6) LOWER COVER (DT40WK P40)

REF NO.	PART NO.	DESCRIPTION	Q'TY	REMARKS
1	61111-92L10-0EP	COVER, ENGINE LOWER (BLACK)	1	
2	61112-94412	RUBBER, ENGINE LOWER COVER	1	
3	61113-92L00	SEAL, ENGINE LOWER COVER	1	
4	61131-92L00-RB4	COVER, ENGINE HOLDER (BLACK)	1	
5	09116-06232	BOLT (6X30)	4	
6	09125-05129	SCREW (5X50)	1	
7	09159-05042	NUT	1	
8	09160-05029	WASHER (5.5X12X0.8)	1	
9	09148-06017	NUT	2	
10	09160-06104	WASHER (6.5X24X2)	4	
11	09180-06295	SPACER (6.5X10X16)	4	
12	09320-10035	CUSHION	4	
13	09116-06227	BOLT (6X20)	2	
14	09116-06223	BOLT (6X12)	2	
15	61610-90L00	FASTENER	1	
16	61616-93EL0	PIN, LEVER	1	
17	61642-90L00	HOLDER, FASTENER LEVER	1	
18	09161-04012	WASHER (4.2X11X1)	1	
19	09385-04003	CLIP	1	
20	09116-06227	BOLT (6X20)	1	
21	08310-00067	NUT	1	
22	61155-94400	TUBE, WATER INSPECTION	1	
23	61138-944L0	COVER, WATER	3	
24	09352-50903-600	HOSE (5X9X600)	1	L:600->50
25	39669-94400	PLUG, LOWER COVER	2	
26	09250-33001	CAP (OD:40)	1	

FIG.420A

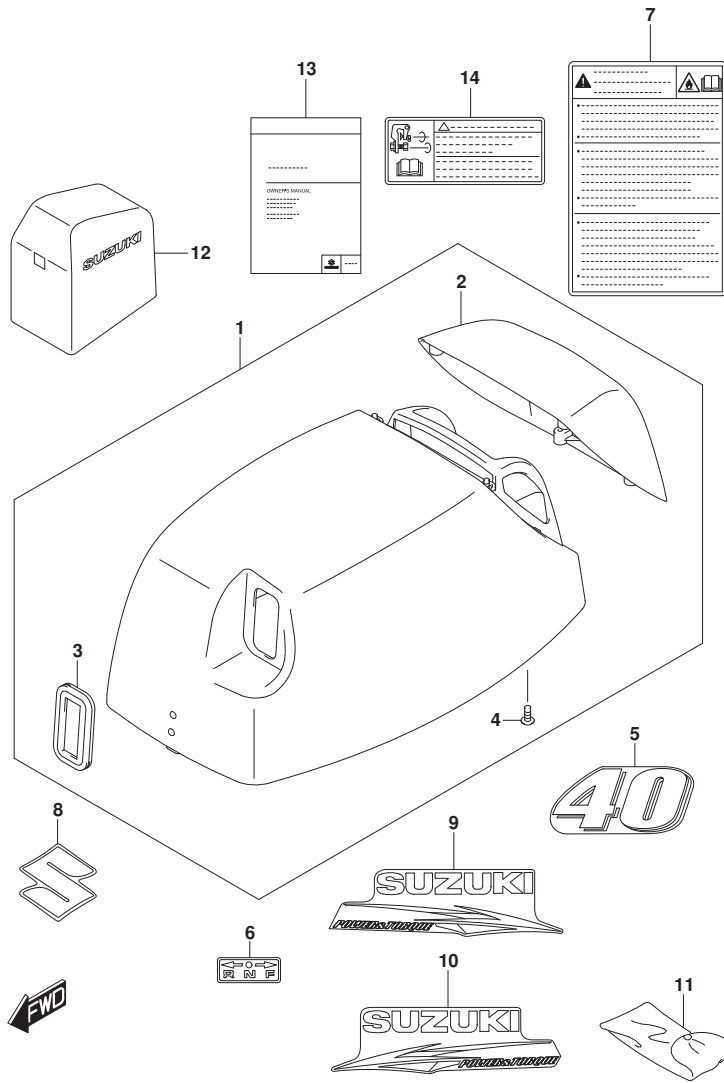


FIG.420A (1-J-7) ENGINE COVER (DT40W P40)

REF NO.	PART NO.	DESCRIPTION	Q'TY	REMARKS
1	61400-92L01-0EP	COVER SET, ENGINE (BLACK)	1	
2	61431-92L00-0EP	.HANDLE, TILT UP (BLACK)	1	
3	61622-95500	.SEAL, RECOIL STARTER	1	
4	03542-06169	.SCREW	4	
5	61435-92L00	MARK, EMBLEM REAR (40)	1	
6	21131-96010	MARK, CLUTCH SHIFT	1	
7	61458-89L00	LABEL, ENGINE COVER	1	
8	68111-91L00	EMBLEM, "S"	1	
9	61443-91L00	STRIPE, ENGINE COVER STBD	1	
10	61453-91L00	STRIPE, ENGINE COVER PORT	1	
11	59800-90L01	TOOL ASSY	1	
12	68110-87L00	COVER, WEATHER	1	OPT
13	99011-92L80-063	MANUAL, OWNER'S	1	
14	69911-91J50	MARK, CLAMP BRACKET	1	

FIG.420B

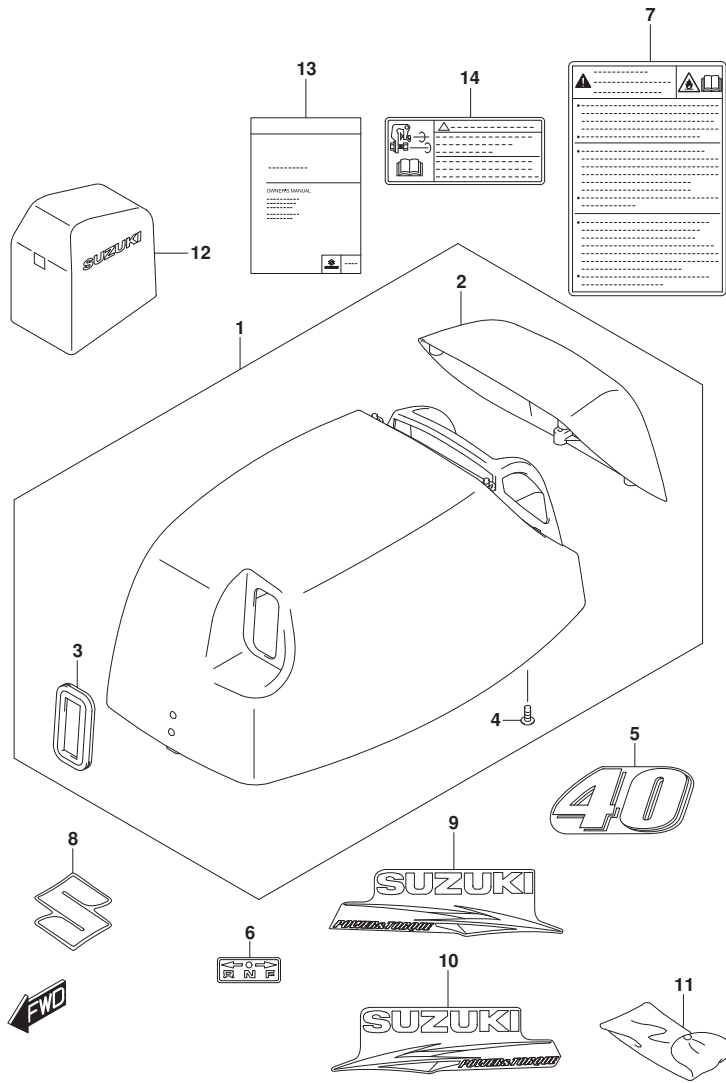


FIG.420B (1-J-8) ENGINE COVER (DT40W P90)

REF NO.	PART NO.	DESCRIPTION	Q'TY	REMARKS
1	61400-92L01-0EP	COVER SET, ENGINE (BLACK)	1	
2	61431-92L00-0EP	.HANDLE, TILT UP (BLACK)	1	
3	61622-95500	.SEAL, RECOIL STARTER	1	
4	03542-06169	.SCREW	4	
5	61435-92L00	MARK, EMBLEM REAR (40)	1	
6	21131-96010	MARK, CLUTCH SHIFT	1	
7	61458-89L00	LABEL, ENGINE COVER	1	
8	68111-91L00	EMBLEM, "S"	1	
9	61443-91L00	STRIPE, ENGINE COVER STBD	1	
10	61453-91L00	STRIPE, ENGINE COVER PORT	1	
11	59800-90L01	TOOL ASSY	1	
12	68110-87L00	COVER, WEATHER	1	OPT
13	99011-92L80-063	MANUAL, OWNER'S	1	
14	69911-91J50	MARK, CLAMP BRACKET	1	

FIG.420C

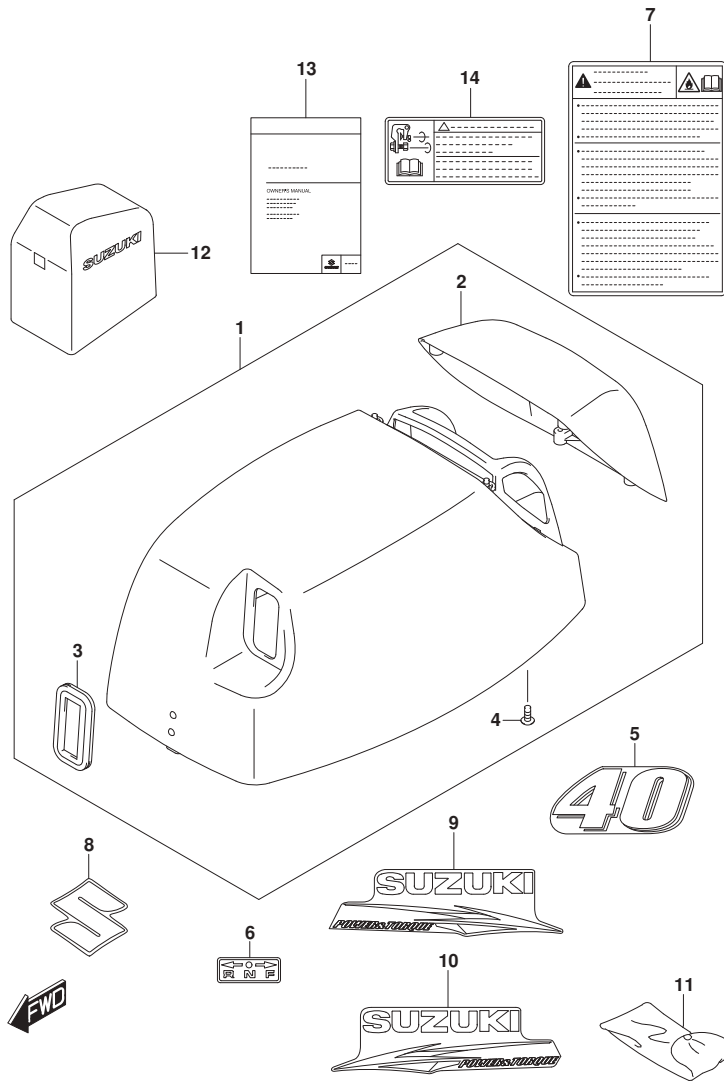


FIG.420C (1-J-9) ENGINE COVER (DT40WR P40)

REF NO.	PART NO.	DESCRIPTION	Q'TY	REMARKS
1	61400-92L01-0EP	COVER SET, ENGINE (BLACK)	1	
2	61431-92L00-0EP	.HANDLE, TILT UP (BLACK)	1	
3	61622-95500	.SEAL, RECOIL STARTER	1	
4	03542-06169	.SCREW	4	
5	61435-92L00	MARK, EMBLEM REAR (40)	1	
6	21131-96010	MARK, CLUTCH SHIFT	1	
7	61458-89L00	LABEL, ENGINE COVER	1	
8	68111-91L00	EMBLEM, "S"	1	
9	61443-91L00	STRIPE, ENGINE COVER STBD	1	
10	61453-91L00	STRIPE, ENGINE COVER PORT	1	
11	59800-90L01	TOOL ASSY	1	
12	68110-87L00	COVER, WEATHER	1	OPT
13	99011-92L80-063	MANUAL, OWNER'S	1	
14	69911-91J50	MARK, CLAMP BRACKET	1	

FIG.420D

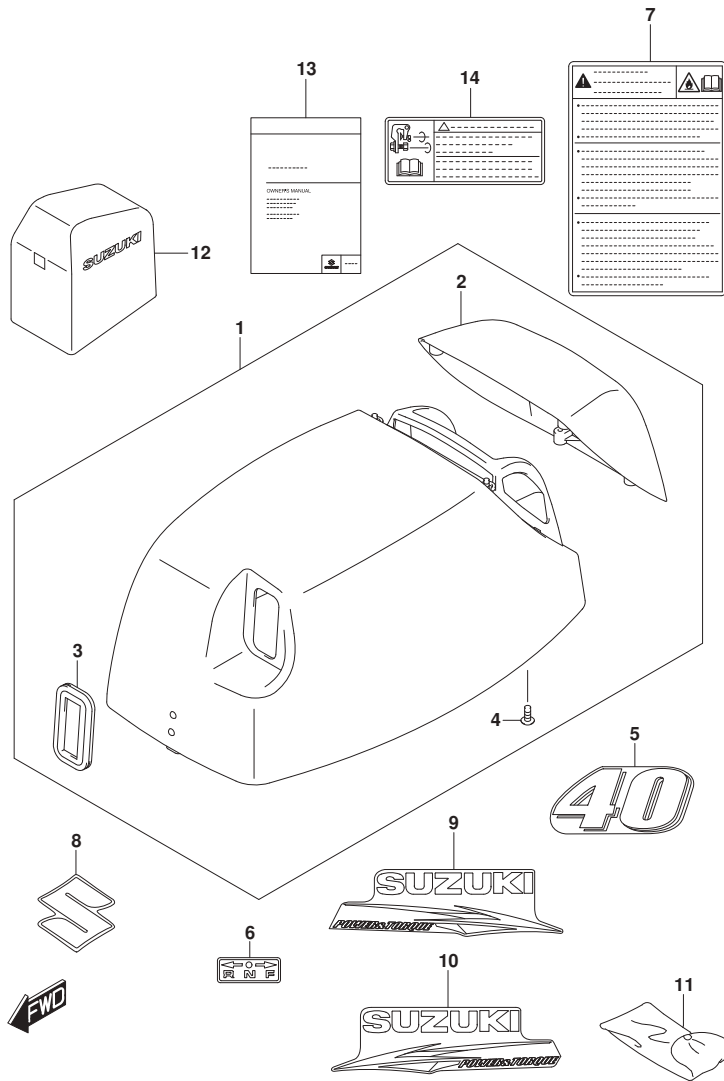


FIG.420D (1-J-10) ENGINE COVER (DT40WR P90)

REF NO.	PART NO.	DESCRIPTION	Q'TY	REMARKS
1	61400-92L01-0EP	COVER SET, ENGINE (BLACK)	1	
2	61431-92L00-0EP	.HANDLE, TILT UP (BLACK)	1	
3	61622-95500	.SEAL, RECOIL STARTER	1	
4	03542-06169	.SCREW	4	
5	61435-92L00	MARK, EMBLEM REAR (40)	1	
6	21131-96010	MARK, CLUTCH SHIFT	1	
7	61458-89L00	LABEL, ENGINE COVER	1	
8	68111-91L00	EMBLEM, "S"	1	
9	61443-91L00	STRIPE, ENGINE COVER STBD	1	
10	61453-91L00	STRIPE, ENGINE COVER PORT	1	
11	59800-90L01	TOOL ASSY	1	
12	68110-87L00	COVER, WEATHER	1	OPT
13	99011-92L80-063	MANUAL, OWNER'S	1	
14	69911-91J50	MARK, CLAMP BRACKET	1	

FIG.420E

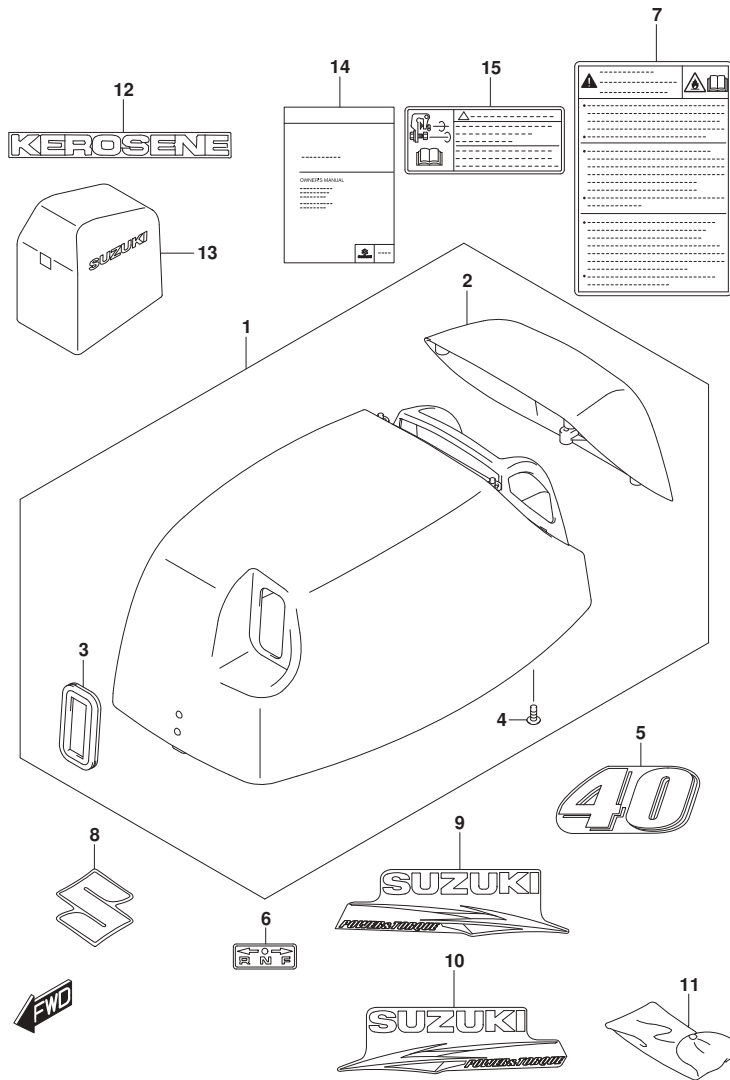


FIG.420E (1-J-11) ENGINE COVER (DT40WK P40)

REF NO.	PART NO.	DESCRIPTION	Q'TY	REMARKS
1	61400-92L01-0EP	COVER SET, ENGINE (BLACK)	1	
2	61431-92L00-0EP	.HANDLE, TILT UP (BLACK)	1	
3	61622-95500	.SEAL, RECOIL STARTER	1	
4	03542-06169	.SCREW	4	
5	61435-92L00	MARK, EMBLEM REAR (40)	1	
6	21131-96010	MARK, CLUTCH SHIFT	1	
7	61458-89L00	LABEL, ENGINE COVER	1	
8	68111-91L00	EMBLEM, "S"	1	
9	61443-91L00	STRIPE, ENGINE COVER STBD	1	
10	61453-91L00	STRIPE, ENGINE COVER PORT	1	
11	59800-90L01	TOOL ASSY	1	
12	61449-93921	MARK, KEROSENE	1	
13	68110-87L00	COVER, WEATHER	1	OPT
14	99011-92L90-063	MANUAL, OWNER'S	1	
15	69911-91J50	MARK, CLAMP BRACKET	1	

FIG.432A

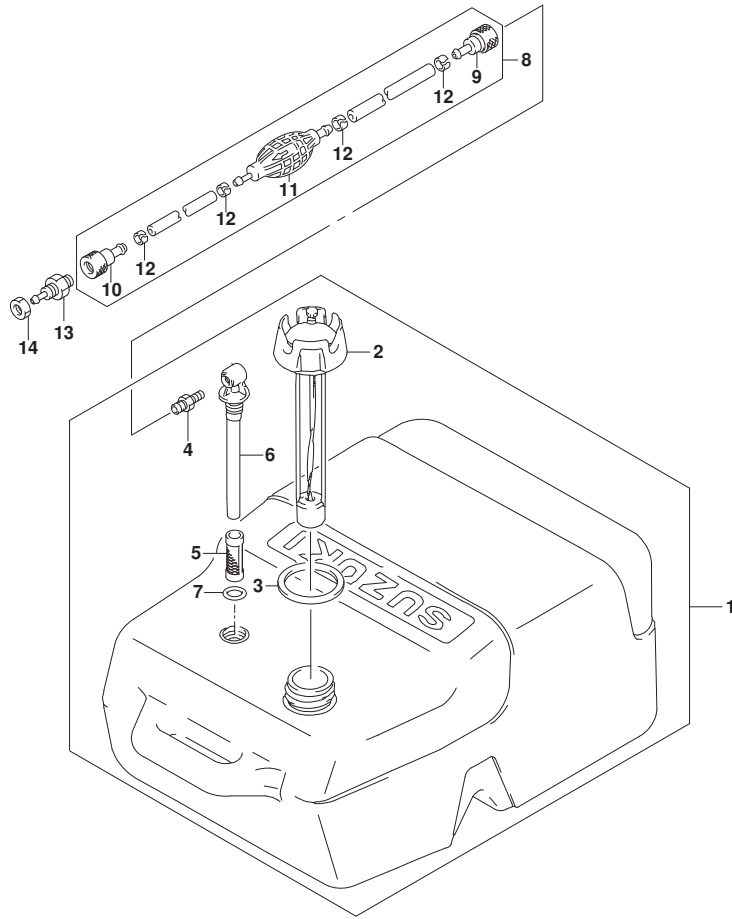


FIG.432A (1-J-12) FUEL TANK (PLASTIC/25L) (DT40W P40)

REF NO.	PART NO.	DESCRIPTION	QTY	REMARKS
1	65000-95D01	TANK ASSY, FUEL (25L)	1	
2	65520-95D01	.CAP ASSY, FUEL TANK	1	
3	65561-95D00	.GASKET, TANK CAP	1	
4	65740-95D01	.PLUG, FUEL CONNECTOR	1	
5	65831-95D00	.FILTER, OUTLET	1	
6	65890-95D00	.OUTLET ASSY	1	
7	65892-95D00	.O RING, FUEL OUTLET	1	
8	65700-87DL0	HOSE, FUEL	1	
9	65750-955L0	.SOCKET, FUEL HOSE (IN)	1	
10	65750-98505	.SOCKET, FUEL HOSE (OUT)	1	
11	65770-87DL0	.PUMP, SQUEEZE	1	
12	65781-98500	.CLIP	4	
13	65720-985L1	PLUG, FUEL CONNECTOR	1	
14	09140-10032	NUT	1	

FIG.432B

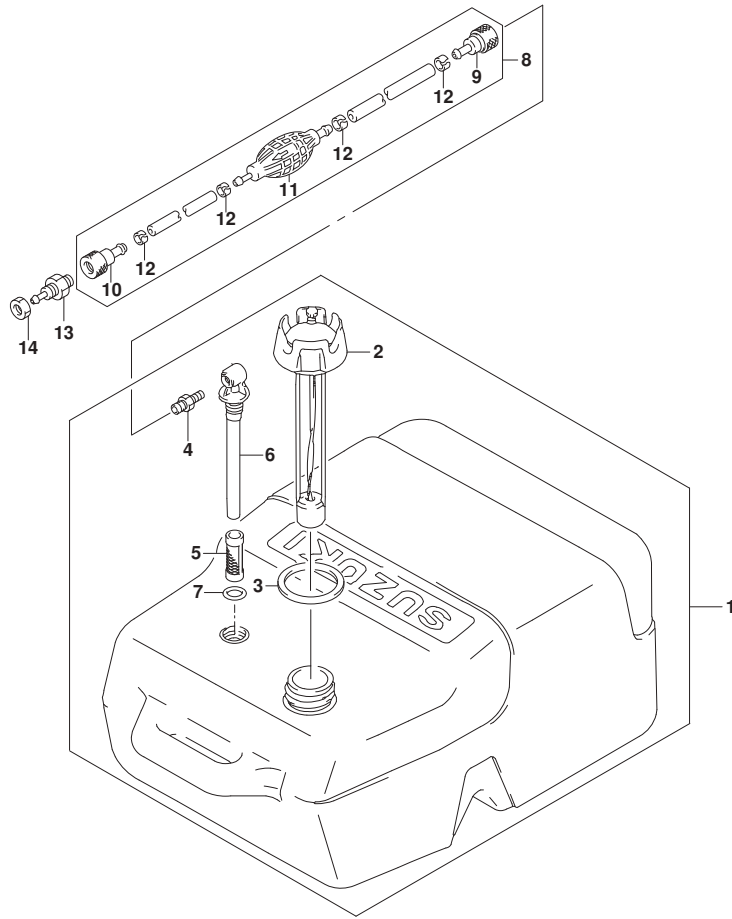


FIG.432B (1-J-13) FUEL TANK (PLASTIC/25L) (DT40W P90)

REF NO.	PART NO.	DESCRIPTION	QTY	REMARKS
1	65000-95D01	TANK ASSY, FUEL (25L)	1	
2	65520-95D01	.CAP ASSY, FUEL TANK	1	
3	65561-95D00	.GASKET, TANK CAP	1	
4	65740-95D01	.PLUG, FUEL CONNECTOR	1	
5	65831-95D00	.FILTER, OUTLET	1	
6	65890-95D00	.OUTLET ASSY	1	
7	65892-95D00	.O RING, FUEL OUTLET	1	
8	65700-87DL0	HOSE, FUEL	1	
9	65750-955L0	.SOCKET, FUEL HOSE (IN)	1	
10	65750-98505	.SOCKET, FUEL HOSE (OUT)	1	
11	65770-87DL0	.PUMP, SQUEEZE	1	
12	65781-98500	.CLIP	4	
13	65720-985L1	PLUG, FUEL CONNECTOR	1	
14	09140-10032	NUT	1	

FIG.432C

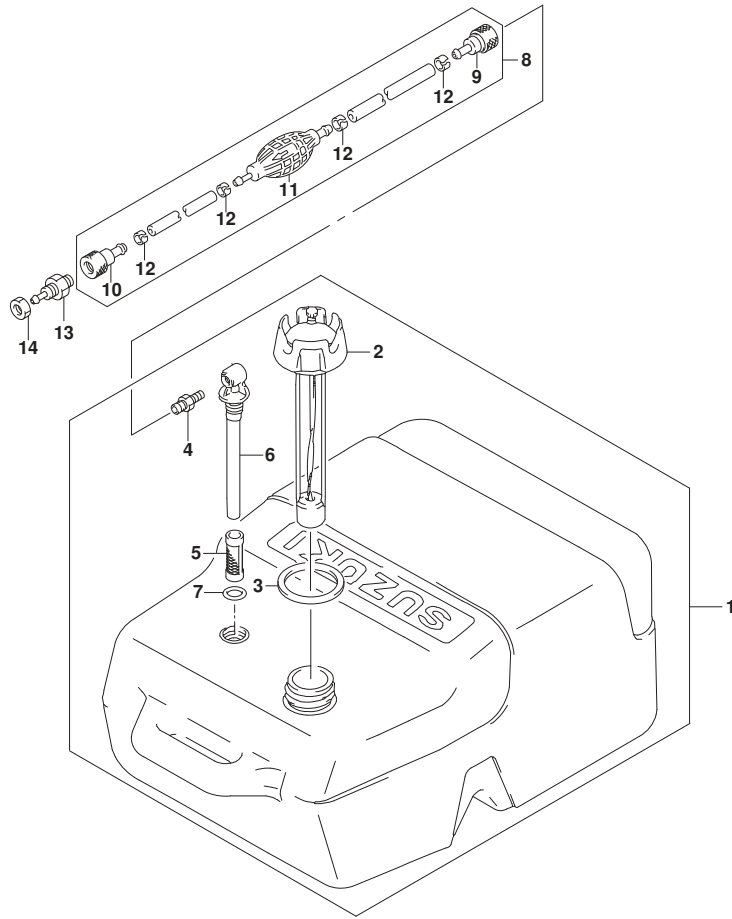


FIG.432C (1-J-14) FUEL TANK (PLASTIC/25L) (DT40WR P40)

REF NO.	PART NO.	DESCRIPTION	QTY	REMARKS
1	65000-95D01	TANK ASSY, FUEL (25L)	1	
2	65520-95D01	.CAP ASSY, FUEL TANK	1	
3	65561-95D00	.GASKET, TANK CAP	1	
4	65740-95D01	.PLUG, FUEL CONNECTOR	1	
5	65831-95D00	.FILTER, OUTLET	1	
6	65890-95D00	.OUTLET ASSY	1	
7	65892-95D00	.O RING, FUEL OUTLET	1	
8	65700-87DL0	HOSE, FUEL	1	
9	65750-955L0	.SOCKET, FUEL HOSE (IN)	1	
10	65750-98505	.SOCKET, FUEL HOSE (OUT)	1	
11	65770-87DL0	.PUMP, SQUEEZE	1	
12	65781-98500	.CLIP	4	
13	65720-985L1	PLUG, FUEL CONNECTOR	1	
14	09140-10032	NUT	1	

FIG.432D

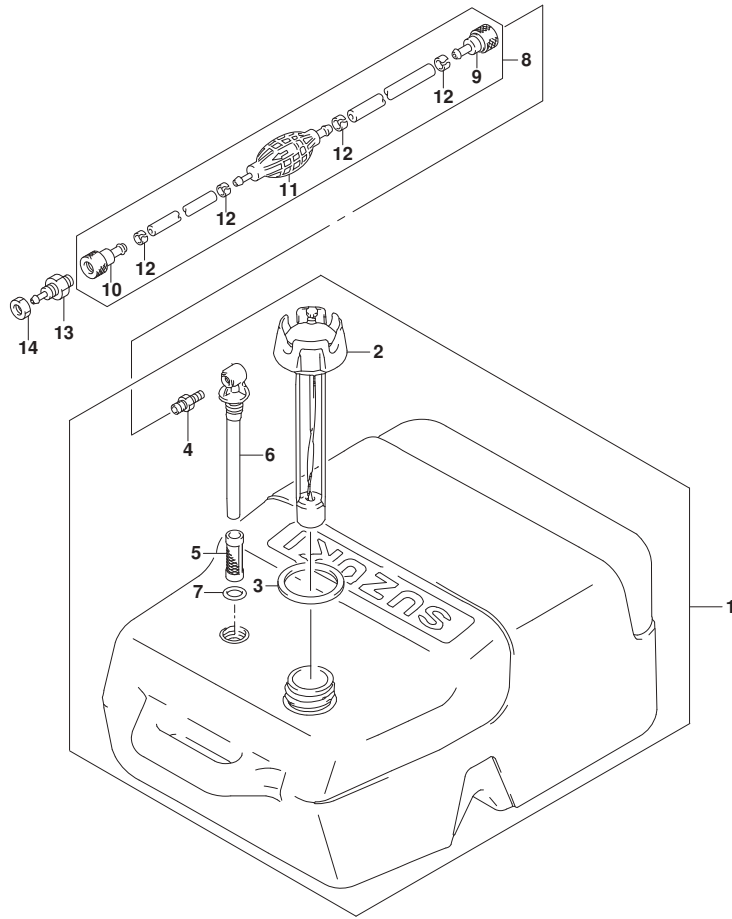


FIG.432D (1-J-15) FUEL TANK (PLASTIC/25L) (DT40WR P90)

REF NO.	PART NO.	DESCRIPTION	QTY	REMARKS
1	65000-95D01	TANK ASSY, FUEL (25L)	1	
2	65520-95D01	.CAP ASSY, FUEL TANK	1	
3	65561-95D00	.GASKET, TANK CAP	1	
4	65740-95D01	.PLUG, FUEL CONNECTOR	1	
5	65831-95D00	.FILTER, OUTLET	1	
6	65890-95D00	.OUTLET ASSY	1	
7	65892-95D00	.O RING, FUEL OUTLET	1	
8	65700-87DL0	HOSE, FUEL	1	
9	65750-955L0	.SOCKET, FUEL HOSE (IN)	1	
10	65750-98505	.SOCKET, FUEL HOSE (OUT)	1	
11	65770-87DL0	.PUMP, SQUEEZE	1	
12	65781-98500	.CLIP	4	
13	65720-985L1	PLUG, FUEL CONNECTOR	1	
14	09140-10032	NUT	1	

FIG.432E

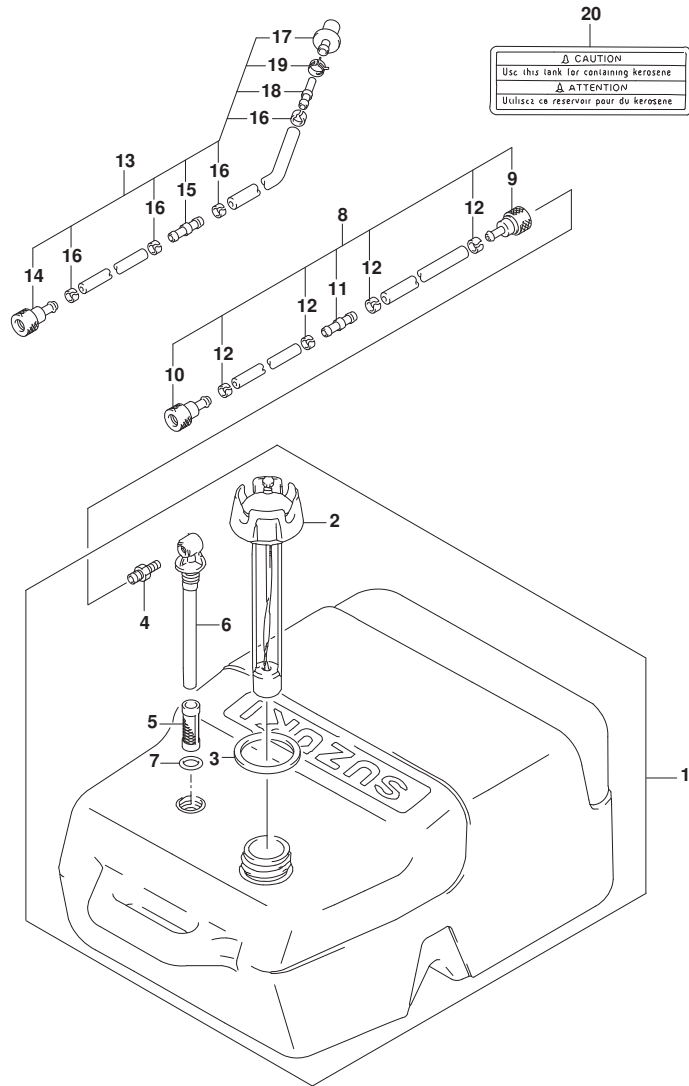


FIG.432E (1-K-2) FUEL TANK (PLASTIC/25L) (DT40WK P40)

REF NO.	PART NO.	DESCRIPTION	Q'TY	REMARKS
1	65000-95D01	TANK ASSY, FUEL (25L)	1	
2	65520-95D01	.CAP ASSY, FUEL TANK	1	
3	65561-95D00	.GASKET, TANK CAP	1	
4	65740-95D01	.PLUG, FUEL CONNECTOR	1	
5	65831-95D00	.FILTER, OUTLET	1	
6	65890-95D00	.OUTLET ASSY	1	
7	65892-95D00	.O RING, FUEL OUTLET	1	
8	65700-96362	HOSE, FUEL (L:2620)	1	FOR KEROSENE W/FUEL TANK
9	65750-955L0	.SOCKET, FUEL HOSE (IN)	1	
10	65750-98505	.SOCKET, FUEL HOSE (OUT)	1	
11	65779-93900	.UNION, FUEL HOSE	1	
12	65781-98500	.CLIP	4	
13	65700-94424	HOSE, FUEL	1	FOR KEROSENE N/FUEL TANK
14	65750-98505	.SOCKET, FUEL HOSE	1	
15	65779-93900	.UNION, FUEL HOSE	1	
16	65781-98500	.CLIP	4	
17	65830-95500	.FILTER	1	
18	65842-94401	.TUBE	1	
19	09401-10412	.CLIP	1	
20	65318-93910	MARK, KEROSENE CAUTION	1	W/FUEL TANK

FIG.432F

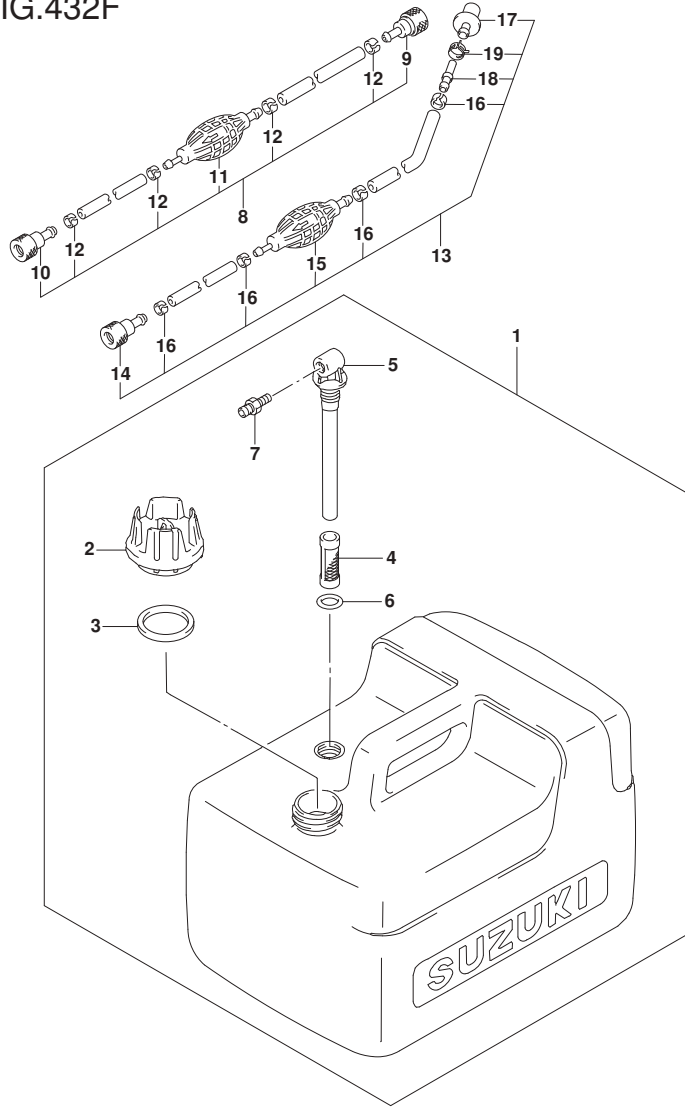


FIG.432F (1-K-3) FUEL TANK (PLASTIC/12L) (DT40WK P40)

REF NO.	PART NO.	DESCRIPTION	Q'TY	REMARKS
1	65000-99100	TANK ASSY, FUEL (12L)	1	
2	65520-99100	.CAP, FUEL TANK	1	
3	65561-95D00	.GASKET, TANK CAP	1	
4	65831-95D00	.FILTER, OUTLET	1	
5	65890-99100	.OUTLET ASSY	1	
6	65892-95D00	.O RING, FUEL OUTLET	1	
7	65740-99100	.PLUG, FUEL CONNECTOR	1	
8	65700-95D04	HOSE, FUEL (L:2550)	1	FOR GASOLINE W/FUEL TANK
9	65750-955L0	.SOCKET, FUEL HOSE (OUT)	1	
10	65750-98505	.SOCKET, FUEL HOSE (IN)	1	
11	65770-99J01	.PUMP, SQUEEZE	1	
12	65781-98500	.CLIP	4	
13	65700-94416	HOSE, FUEL	1	FOR GASOLINE N/FUEL TANK
14	65750-955L0	.SOCKET, FUEL HOSE	1	
15	65770-90J11	.PUMP, SQUEEZE	1	
16	65781-98500	.CLIP	4	
17	65830-95500	.FILTER	1	
18	65842-94401	.TUBE	1	
19	09401-10412	.CLIP	1	

FIG.442A

FIG.442A (1-K-4) DRAG LINK (DT40WR P40)

REF NO.	PART NO.	DESCRIPTION	QTY	REMARKS
1	67701-94430	LINK ASSY, DRAG	1	
2	67721-94310	.SPACER	1	
3	67725-99E10	.BOLT	1	
4	67726-99E00	.NUT	2	
5	67728-99E00	.WASHER	3	

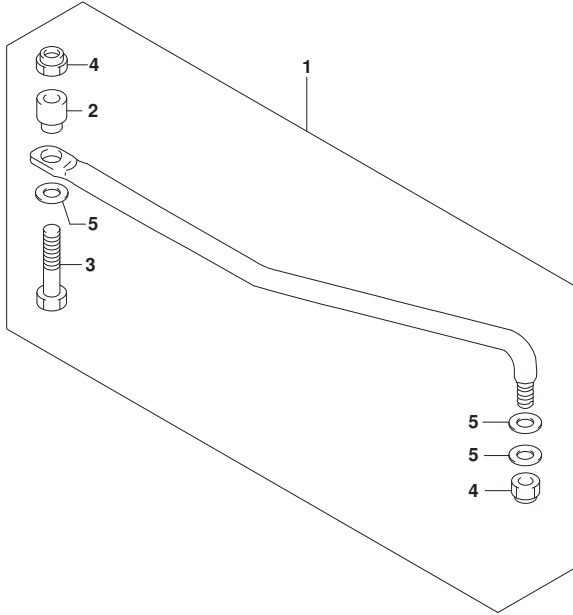


FIG.442B

FIG.442B (1-K-5) DRAG LINK (DT40WR P90)

REF NO.	PART NO.	DESCRIPTION	QTY	REMARKS
1	67701-94430	LINK ASSY, DRAG	1	
2	67721-94310	.SPACER	1	
3	67725-99E10	.BOLT	1	
4	67726-99E00	.NUT	2	
5	67728-99E00	.WASHER	3	

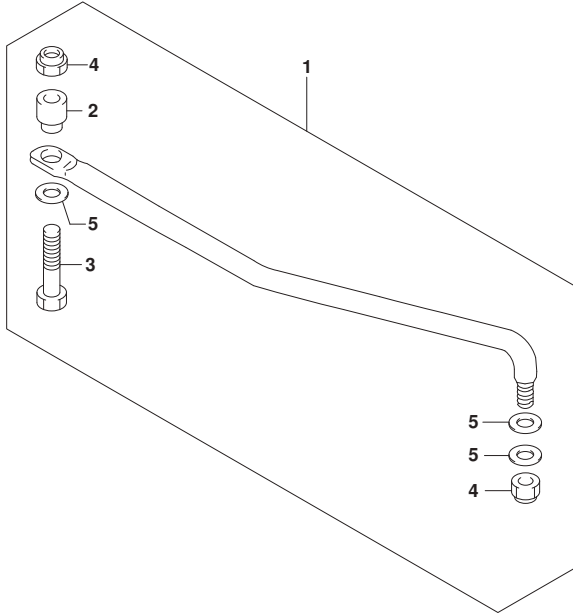


FIG.444A

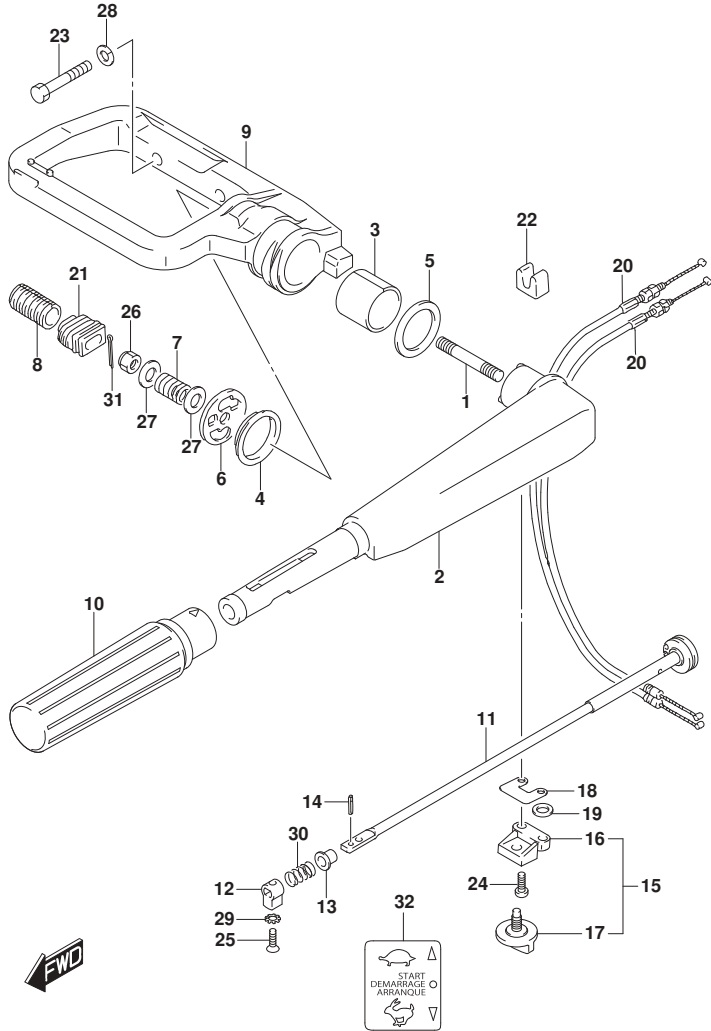


FIG.444A (1-K-6) TILLER HANDLE (DT40W P40)

REF NO.	PART NO.	DESCRIPTION	Q'TY	REMARKS
1	09108-10137	STUD BOLT	1	
2	63111-92L00-0EP	HANDLE, TILLER (BLACK)	1	
3	63115-97E00	BUSH, TILLER HANDLE	1	
4	63116-97E00	WASHER, TILLER HANDLE NO.1	1	
5	63117-97E01	WASHER, TILLER HANDLE NO.2	1	
6	63125-97E01	PLATE, TILLER HANDLE	1	
7	63126-97E01	SPRING, HANDLE STUD	1	
8	63128-97E00	COVER, HANDLE NUT	1	
9	63131-92L10-0EP	BRACKET, TILLER HANDLE (BLACK)	1	
10	63210-93E30	GRIP, HANDLE	1	
11	63220-91L00	ROD, HANDLE	1	
12	63223-92D00	STOPPER, HANDLE ROD	1	
13	63225-93200	BUSH, HANDLE ROD	1	
14	09205-03038	SPRING PIN (3X14)	1	
15	63240-94J10	ADJUSTER, HANDLE GRIP	1	
16	63241-986B0	SUPPORT, HANDLE ROD	1	
17	63244-94J00	KNOB, THROTTLE ADJUSTER	1	
18	63225-94J00	PLATE, HANDLE ROD ADJUSTER	1	
19	09148-06008	NUT	1	
20	63610-92L00	CABLE, THROTTLE	2	
21	63625-96300	GROMMET, THROTTLE CABLE	1	
22	63627-94400	GUIDE, THROTTLE CABLE	1	
23	09100-10317	BOLT (10X50)	2	
24	09136-05041	SCREW (5X20)	2	
25	09126-06015	SCREW (6X23)	1	
26	09159-10050	NUT	1	
27	09160-10082	WASHER (10.5X19X2)	2	
28	09162-10005	LOCK WASHER	2	
29	09163-06001	LOCK WASHER	1	
30	09440-12027	SPRING	1	
31	09204-01002	PIN	1	
32	63215-93401	MARK, HANDLE GRIP	1	

FIG.444B

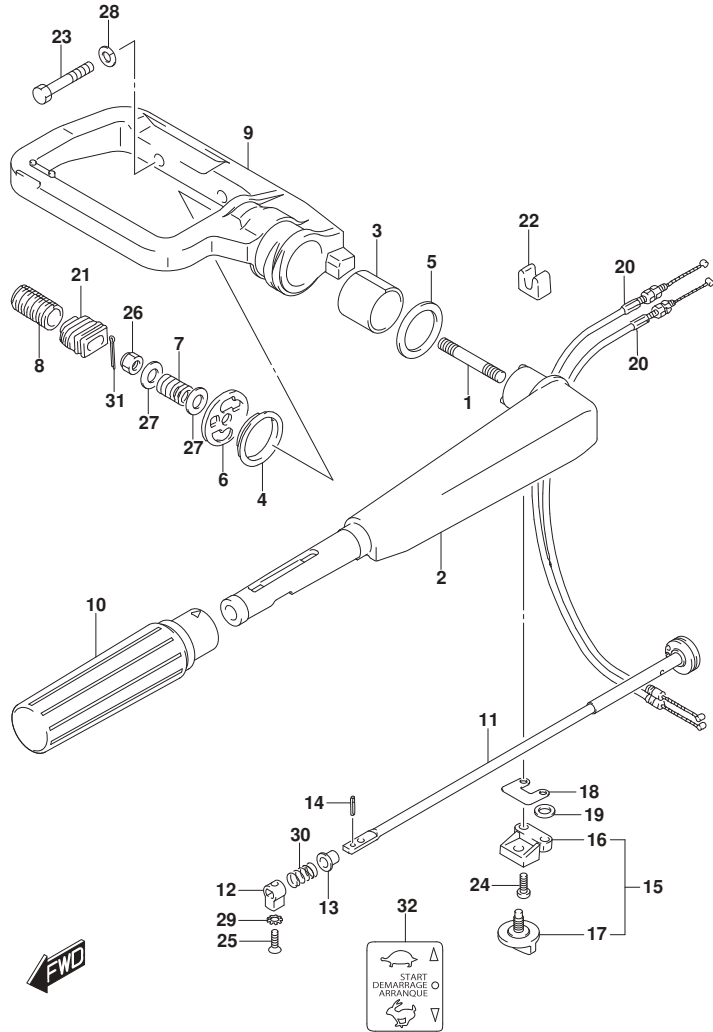


FIG.444B (1-K-7) TILLER HANDLE (DT40W P90)

REF NO.	PART NO.	DESCRIPTION	Q'TY	REMARKS
1	09108-10137	STUD BOLT	1	
2	63111-92L00-0EP	HANDLE, TILLER (BLACK)	1	
3	63115-97E00	BUSH, TILLER HANDLE	1	
4	63116-97E00	WASHER, TILLER HANDLE NO.1	1	
5	63117-97E01	WASHER, TILLER HANDLE NO.2	1	
6	63125-97E01	PLATE, TILLER HANDLE	1	
7	63126-97E01	SPRING, HANDLE STUD	1	
8	63128-97E00	COVER, HANDLE NUT	1	
9	63131-92L10-0EP	BRACKET, TILLER HANDLE (BLACK)	1	
10	63210-93E30	GRIP, HANDLE	1	
11	63220-91L00	ROD, HANDLE	1	
12	63223-92D00	STOPPER, HANDLE ROD	1	
13	63225-93200	BUSH, HANDLE ROD	1	
14	09205-03038	SPRING PIN (3X14)	1	
15	63240-94J10	ADJUSTER, HANDLE GRIP	1	
16	63241-986B0	SUPPORT, HANDLE ROD	1	
17	63244-94J00	KNOB, THROTTLE ADJUSTER	1	
18	63225-94J00	PLATE, HANDLE ROD ADJUSTER	1	
19	09148-06008	NUT	1	
20	63610-92L00	CABLE, THROTTLE	2	
21	63625-96300	GROMMET, THROTTLE CABLE	1	
22	63627-94400	GUIDE, THROTTLE CABLE	1	
23	09100-10317	BOLT (10X50)	2	
24	09136-05041	SCREW (5X20)	2	
25	09126-06015	SCREW (6X23)	1	
26	09159-10050	NUT	1	
27	09160-10082	WASHER (10.5X19X2)	2	
28	09162-10005	LOCK WASHER	2	
29	09163-06001	LOCK WASHER	1	
30	09440-12027	SPRING	1	
31	09204-01002	PIN	1	
32	63215-93401	MARK, HANDLE GRIP	1	

FIG.444C

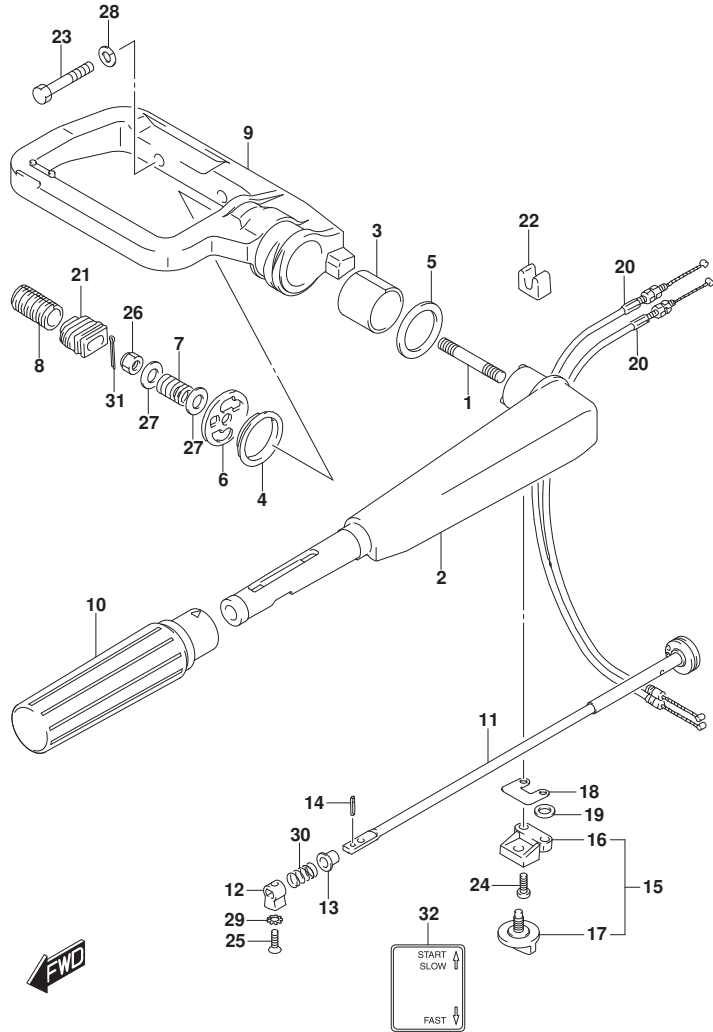
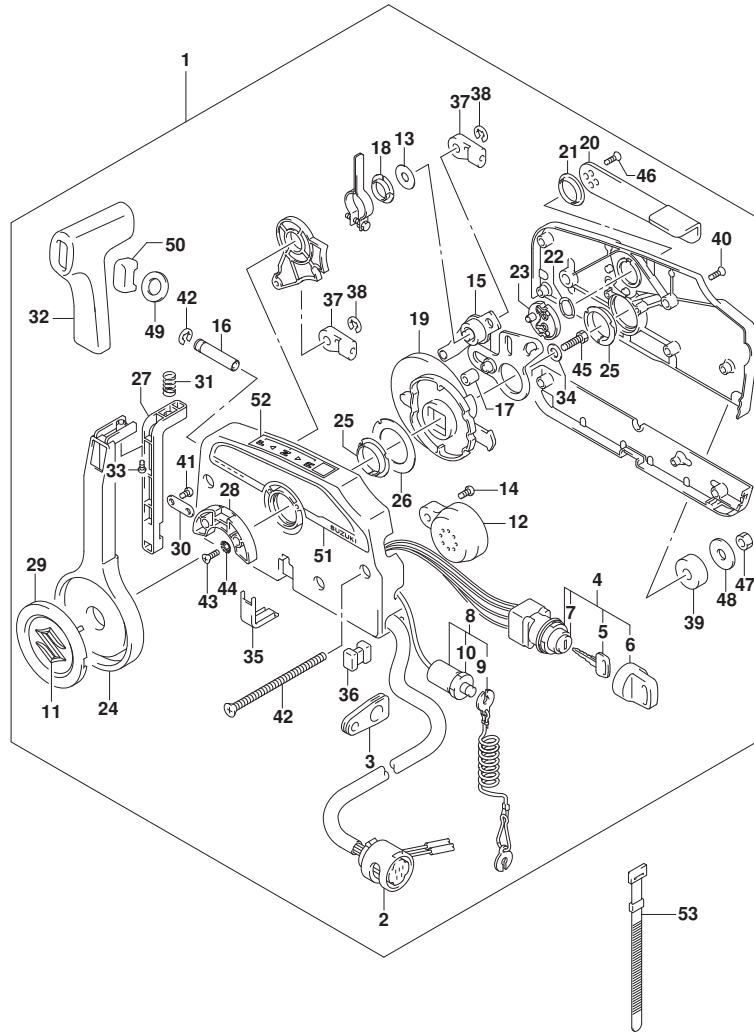


FIG.444C (1-K-8) TILLER HANDLE (DT40WK P40)

REF NO.	PART NO.	DESCRIPTION	Q'TY	REMARKS
1	09108-10137	STUD BOLT	1	
2	63111-92L00-0EP	HANDLE, TILLER (BLACK)	1	
3	63115-97E00	BUSH, TILLER HANDLE	1	
4	63116-97E00	WASHER, TILLER HANDLE NO.1	1	
5	63117-97E01	WASHER, TILLER HANDLE NO.2	1	
6	63125-97E01	PLATE, TILLER HANDLE	1	
7	63126-97E01	SPRING, HANDLE STUD	1	
8	63128-97E00	COVER, HANDLE NUT	1	
9	63131-92L10-0EP	BRACKET, TILLER HANDLE (BLACK)	1	
10	63210-93E30	GRIP, HANDLE	1	
11	63220-91L00	ROD, HANDLE	1	
12	63223-89E00	STOPPER, HANDLE ROD	1	
13	63225-93200	BUSH, HANDLE ROD	1	
14	09205-03038	SPRING PIN (3X14)	1	
15	63240-94J10	ADJUSTER, HANDLE GRIP	1	
16	63241-986B0	.SUPPORT, HANDLE ROD	1	
17	63244-94J00	.KNOB, THROTTLE ADJUSTER	1	
18	63225-94J00	PLATE, HANDLE ROD ADJUSTER	1	
19	09148-06008	NUT	1	
20	63610-92L00	CABLE, THROTTLE	2	
21	63625-96300	GROMMET, THROTTLE CABLE	1	
22	63627-94400	GUIDE, THROTTLE CABLE	1	
23	09100-10317	BOLT (10X50)	2	
24	09136-05041	SCREW (5X20)	2	
25	09126-06015	SCREW (6X23)	1	
26	09159-10050	NUT	1	
27	09160-10082	WASHER (10.5X19X2)	2	
28	09162-10005	LOCK WASHER	2	
29	09163-06001	LOCK WASHER	1	
30	09440-12027	SPRING	1	
31	09204-01002	PIN	1	
32	63215-93450	MARK, HANDLE GRIP	1	

FIG.450A



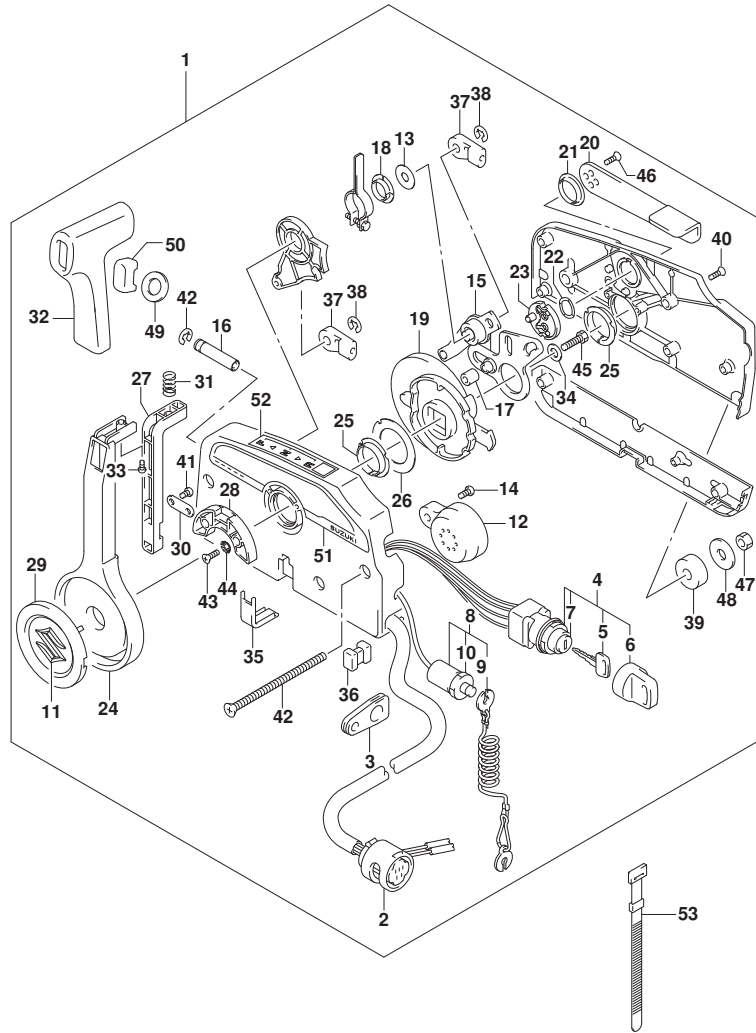
DT40W_P40_016_450A
REMOTE CONTROL

FIG.450A (1-K-9) REMOTE CONTROL (DT40WR P40)

REF NO.	PART NO.	DESCRIPTION	Q'TY	REMARKS
1	67200-97E50	REMOTE CONTROL ASSY	1	
2	36620-92E20	.WIRE ASSY, REMOCON	1	
3	36628-92E00	.GROMMET	1	
4	37110-99E01	.SWITCH ASSY, IGNITION	1	
5-1	37141-99E00	..KEY (931)	1	
5-2	37141-99E10	..KEY (932)	1	
5-3	37141-99E20	..KEY (933)	1	
5-4	37141-99E30	..KEY (934)	1	
5-5	37141-99E40	..KEY (935)	1	
5-6	37141-99E50	..KEY (936)	1	
5-7	37141-99E60	..KEY (937)	1	
5-8	37141-99E70	..KEY (938)	1	
5-9	37141-99E80	..KEY (939)	1	
5-10	37141-99E90	..KEY (940)	1	
5-11	37141-99EA0	..KEY (941)	1	
5-12	37141-99EB0	..KEY (942)	1	
6	37143-99E00	..CAP, KEY	1	
7	37149-93J00	..CAP, CYLINDER BODY	1	
8	37820-92E04	.SWITCH ASSY, EMERGENCY	1	
9	37823-92E01	..PLATE	1	
10	37826-92J00	..NUT	1	
11	77811-54GB0-0PG	.EMBLEM, SUZUKI (SILVER)	1	
12	38500-92X50	.BUZZER, WARNING	1	
13	67212-95600	.WASHER	1	
14	67214-92E00	.SCREW (5X10)	1	
15	67220-95620	.PLATE ASSY	1	
16	67223-99E10	.KNOB, BRAKE ADJUST	1	
17	67229-95600	.ROLLER	1	
18	67232-95600	.BUSH	1	
19	67238-87D00	.GEAR, DRIVE	1	
20	67241-99E10	.LEVER, FREE THROTTLE	1	
21	67243-95600	.BUSH	1	
22	67244-95600	.WAVE WASHER	1	
23	67245-95600	.DRUM, FREE THROTTLE	1	

DT40W_P40_016

FIG.450A



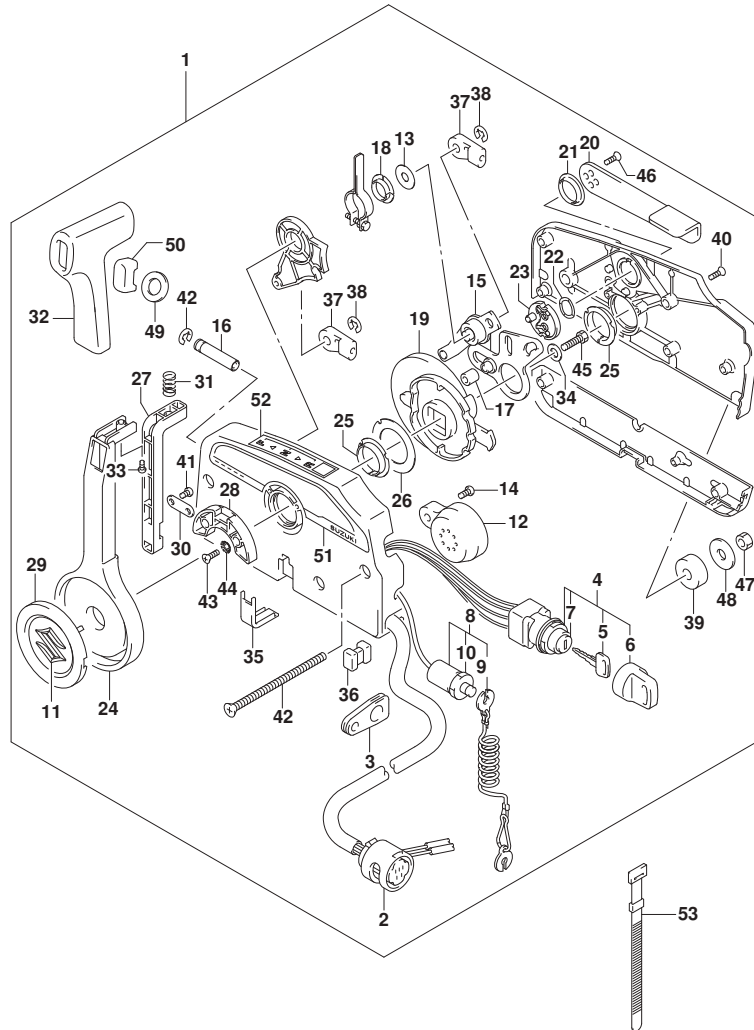
DT40W_P40_016_450A
REMOTE CONTROL

FIG.450A (1-K-10) REMOTE CONTROL (DT40WR P40)

REF NO.	PART NO.	DESCRIPTION	Q'TY	REMARKS
24	67251-99E20	.LEVER, HANDLE	1	
25	67252-95600	.BUSH	2	
26	67253-95600	.WASHER	1	
27	67255-99E10	.ARM, LOCK	1	
28	67256-95600	.HOLDER, NEUT LOCK	1	
29	67257-99E10	.CAP, LEVER	1	
30	67258-99E00	.BRACKET	1	
31	67259-87D00	.SPRING, NEUTRAL ARM	1	
32	67261-99E10	.GRIP	1	
33	67296-94310	.SCREW, BUZZER BRKT	1	
34	67264-95600	.WASHER	1	
35	67267-93J00	.COVER, WIRE	1	
36	67273-95600	.SPACER	1	
37	67275-95600	.END, CABLE	2	
38	67292-94300	.E RING	3	
39	67294-95600	.SPACER	3	
40	67296-90J00	.SCREW, COVER	5	
41	67296-94300	.SCREW	2	
42	67296-95600	.SCREW	3	
43	67296-95610	.SCREW	2	
44	67297-95600	.WASHER	2	
45	09100-08232	.BOLT (8X30)	1	
46	09126-05003	.SCREW (5X12)	2	
47	09140-06020	.NUT	3	
48	09160-06104	.WASHER (6.5X24X2)	3	
49	37859-90J00	.SPACER	1	
50	37864-94J10	.CAP,PTT SW	1	
51	67282-94L00	.DECAL,REMOCON SIDE	1	
52	67284-94L00	.MARK,HANDLE LEVER	1	
53	09407-12402	.CLAMP (L:120)	2	

DT40W_P40_016

FIG.450B



DT40W_P40_016_450B
REMOTE CONTROL

FIG.450B (1-K-11) REMOTE CONTROL (DT40WR P90)

REF NO.	PART NO.	DESCRIPTION	Q'TY	REMARKS
1	67200-97E50	REMOTE CONTROL ASSY	1	
2	36620-92E20	.WIRE ASSY, REMOCON	1	
3	36628-92E00	.GROMMET	1	
4	37110-99E01	.SWITCH ASSY, IGNITION	1	
5-1	37141-99E00	..KEY (931)	1	
5-2	37141-99E10	..KEY (932)	1	
5-3	37141-99E20	..KEY (933)	1	
5-4	37141-99E30	..KEY (934)	1	
5-5	37141-99E40	..KEY (935)	1	
5-6	37141-99E50	..KEY (936)	1	
5-7	37141-99E60	..KEY (937)	1	
5-8	37141-99E70	..KEY (938)	1	
5-9	37141-99E80	..KEY (939)	1	
5-10	37141-99E90	..KEY (940)	1	
5-11	37141-99EA0	..KEY (941)	1	
5-12	37141-99EB0	..KEY (942)	1	
6	37143-99E00	..CAP, KEY	1	
7	37149-93J00	..CAP, CYLINDER BODY	1	
8	37820-92E04	.SWITCH ASSY, EMERGENCY	1	
9	37823-92E01	..PLATE	1	
10	37826-92J00	..NUT	1	
11	77811-54GB0-0PG	.EMBLEM, SUZUKI (SILVER)	1	
12	38500-92X50	.BUZZER, WARNING	1	
13	67212-95600	.WASHER	1	
14	67214-92E00	.SCREW (5X10)	1	
15	67220-95620	.PLATE ASSY	1	
16	67223-99E10	.KNOB, BRAKE ADJUST	1	
17	67229-95600	.ROLLER	1	
18	67232-95600	.BUSH	1	
19	67238-87D00	.GEAR, DRIVE	1	
20	67241-99E10	.LEVER, FREE THROTTLE	1	
21	67243-95600	.BUSH	1	
22	67244-95600	.WAVE WASHER	1	
23	67245-95600	.DRUM, FREE THROTTLE	1	

DT40W_P40_016

FIG.450B

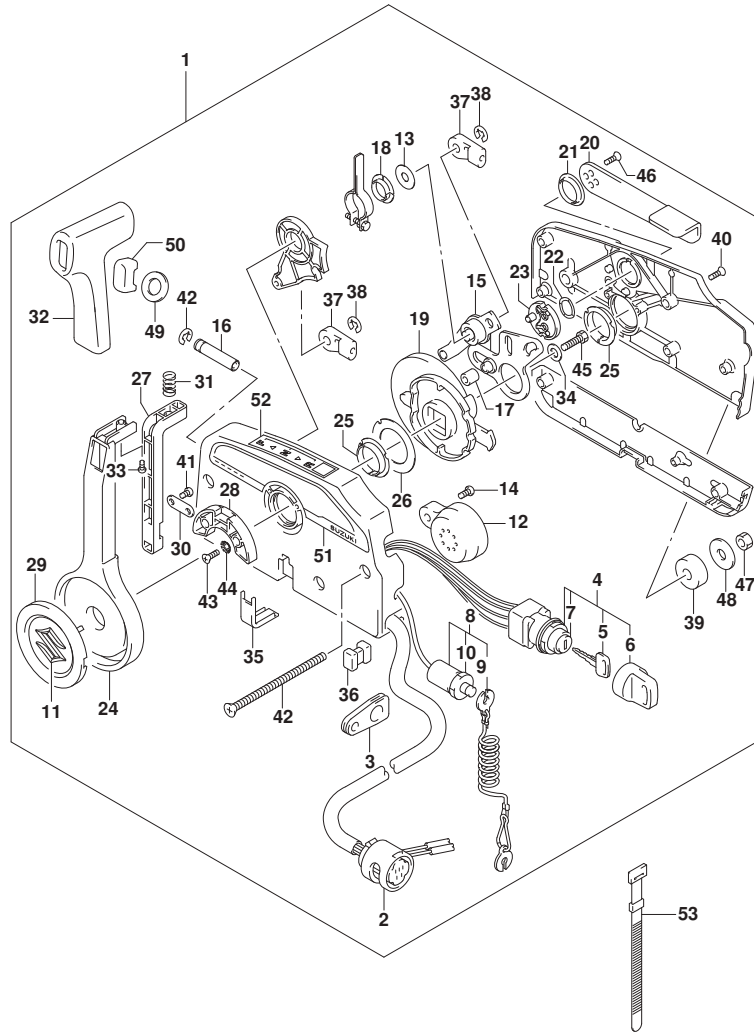


FIG.450B (1-K-12) REMOTE CONTROL (DT40WR P90)

REF NO.	PART NO.	DESCRIPTION	Q'TY	REMARKS
24	67251-99E20	.LEVER, HANDLE	1	
25	67252-95600	.BUSH	2	
26	67253-95600	.WASHER	1	
27	67255-99E10	.ARM, LOCK	1	
28	67256-95600	.HOLDER, NEUT LOCK	1	
29	67257-99E10	.CAP, LEVER	1	
30	67258-99E00	.BRACKET	1	
31	67259-87D00	.SPRING, NEUTRAL ARM	1	
32	67261-99E10	.GRIP	1	
33	67296-94310	.SCREW, BUZZER BRKT	1	
34	67264-95600	.WASHER	1	
35	67267-93J00	.COVER, WIRE	1	
36	67273-95600	.SPACER	1	
37	67275-95600	.END, CABLE	2	
38	67292-94300	.E RING	3	
39	67294-95600	.SPACER	3	
40	67296-90J00	.SCREW, COVER	5	
41	67296-94300	.SCREW	2	
42	67296-95600	.SCREW	3	
43	67296-95610	.SCREW	2	
44	67297-95600	.WASHER	2	
45	09100-08232	.BOLT (8X30)	1	
46	09126-05003	.SCREW (5X12)	2	
47	09140-06020	.NUT	3	
48	09160-06104	.WASHER (6.5X24X2)	3	
49	37859-90J00	.SPACER	1	
50	37864-94J10	.CAP,PTT SW	1	
51	67282-94L00	.DECAL,REMOCON SIDE	1	
52	67284-94L00	.MARK,HANDLE LEVER	1	
53	09407-12402	.CLAMP (L:120)	2	

FIG.454A

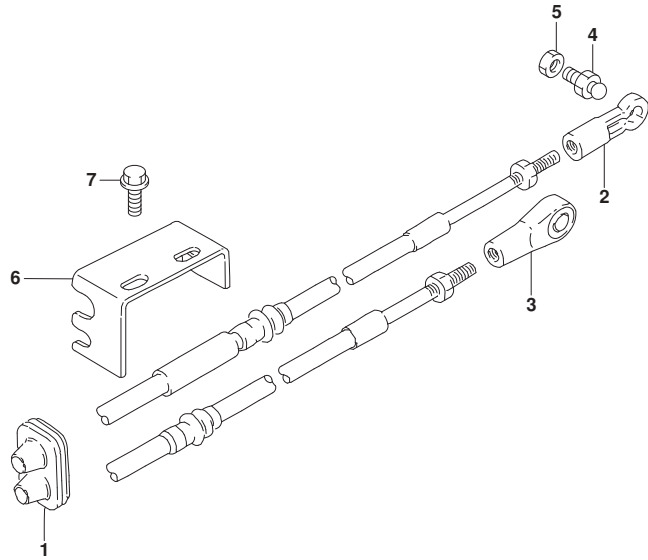


FIG.454A (1-K-13) REMOCON CABLE HOLDER (DT40WR P40)

REF NO.	PART NO.	DESCRIPTION	Q'TY	REMARKS
1	67331-94400	GROMMET, REMOCON CABLE	1	
2	67466-95200	CONNECTOR, THROTTLE CABLE	1	
3	67467-94404	CONNECTOR, CLUTCH CABLE	1	
4	09119-06047	PIVOT	1	
5	29141-93J00	NUT	1	
6	67341-94400	HOLDER, REMOCON CABLE	1	
7	09116-06225	BOLT (6X15)	2	

FIG.454B

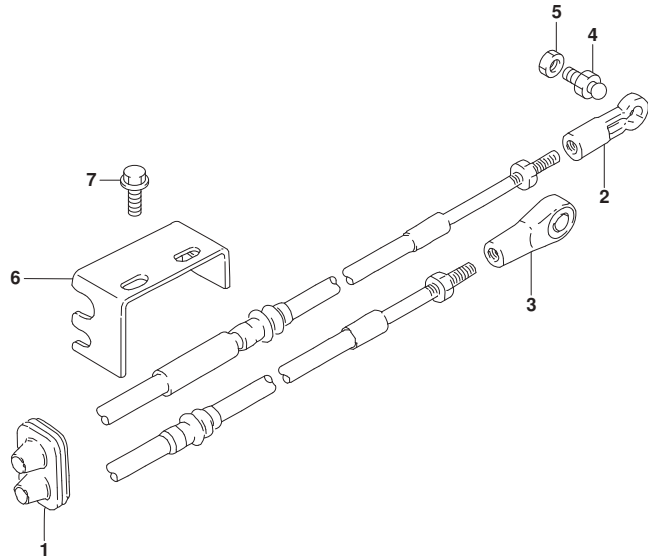


FIG.454B (1-K-14) REMOCON CABLE HOLDER (DT40WR P90)

REF NO.	PART NO.	DESCRIPTION	Q'TY	REMARKS
1	67331-94400	GROMMET, REMOCON CABLE	1	
2	67466-95200	CONNECTOR, THROTTLE CABLE	1	
3	67467-94404	CONNECTOR, CLUTCH CABLE	1	
4	09119-06047	PIVOT	1	
5	29141-93J00	NUT	1	
6	67341-94400	HOLDER, REMOCON CABLE	1	
7	09116-06225	BOLT (6X15)	2	

FIG.501A

FIG.501A (1-K-15) OPT:METER (DT40W P40)

REF NO.	PART NO.	DESCRIPTION	Q'TY	REMARKS
1-1	34600-93J01	METER ASSY, VOLTAGE	1	BLACK
1-2	34600-93J12	METER ASSY, VOLTAGE	1	WHITE
2	09471-12103	.BULB (12V,3W,T6.5)	1	
3-1	34500-93J01	METER ASSY, HOUR	1	BLACK
3-2	34500-93J12	METER ASSY, HOUR	1	WHITE
4	09471-12103	.BULB (12V,3W,T6.5)	1	
5-1	34100-93J21	SPEEDOMETER ASSY	1	MAX 80KM/H BLACK
5-2	34100-93J32	SPEEDOMETER ASSY	1	MAX 80KM/H WHITE
5-3	34100-93J41	SPEEDOMETER ASSY	1	MAX 45KNOTS BLACK
5-4	34100-93J52	SPEEDOMETER ASSY	1	MAX 45KNOTS WHITE
6	09471-12028	.BULB (12V,3.4W)	1	
7	34191-92E00	.TUBE	1	
8	09407-14407	.CLAMP (L:145)	2	
9	36615-96300	.TERMINAL, RESIN	2	
10	34190-95500	SENDER ASSY, SPEEDOMETER	1	
11	03112-0630B	.SCREW	2	
12	34190-87D00	SENDER ASSY, SPEEDOMETER	1	
13-1	34200-93J21	TACHOMETER ASSY	1	BLACK
13-2	34200-93J33	TACHOMETER ASSY	1	WHITE
14	09471-12028	.BULB (12V,3.4W)	1	
15-1	34300-93J01	GAUGE ASSY, FUEL	1	BLACK
15-2	34300-93J12	GAUGE ASSY, FUEL	1	WHITE
16	34310-92E00	.LEAD, FUEL GAUGE	1	
17	34360-92E00	.ADAPTER, FUEL GAUGE	1	
18	09471-12103	.BULB (12V,3W,T6.5)	1	

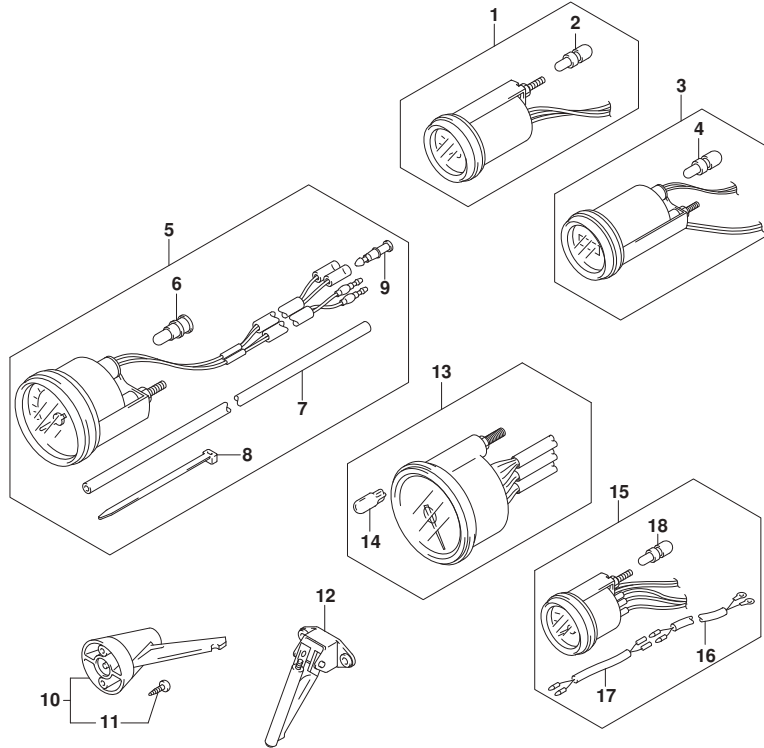


FIG.501B

FIG.501B (1-L-2) OPT:METER (DT40W P90)

REF NO.	PART NO.	DESCRIPTION	Q'TY	REMARKS
1-1	34600-93J01	METER ASSY, VOLTAGE	1	BLACK
1-2	34600-93J12	METER ASSY, VOLTAGE	1	WHITE
2	09471-12103	.BULB (12V,3W,T6.5)	1	
3-1	34500-93J01	METER ASSY, HOUR	1	BLACK
3-2	34500-93J12	METER ASSY, HOUR	1	WHITE
4	09471-12103	.BULB (12V,3W,T6.5)	1	
5-1	34100-93J21	SPEEDOMETER ASSY	1	MAX 80KM/H BLACK
5-2	34100-93J32	SPEEDOMETER ASSY	1	MAX 80KM/H WHITE
5-3	34100-93J41	SPEEDOMETER ASSY	1	MAX 45KNOTS BLACK
5-4	34100-93J52	SPEEDOMETER ASSY	1	MAX 45KNOTS WHITE
6	09471-12028	.BULB (12V,3.4W)	1	
7	34191-92E00	.TUBE	1	
8	09407-14407	.CLAMP (L:145)	2	
9	36615-96300	.TERMINAL, RESIN	2	
10	34190-95500	SENDER ASSY, SPEEDOMETER	1	
11	03112-0630B	.SCREW	2	
12	34190-87D00	SENDER ASSY, SPEEDOMETER	1	
13-1	34200-93J21	TACHOMETER ASSY	1	BLACK
13-2	34200-93J33	TACHOMETER ASSY	1	WHITE
14	09471-12028	.BULB (12V,3.4W)	1	
15-1	34300-93J01	GAUGE ASSY, FUEL	1	BLACK
15-2	34300-93J12	GAUGE ASSY, FUEL	1	WHITE
16	34310-92E00	.LEAD, FUEL GAUGE	1	
17	34360-92E00	.ADAPTER, FUEL GAUGE	1	
18	09471-12103	.BULB (12V,3W,T6.5)	1	

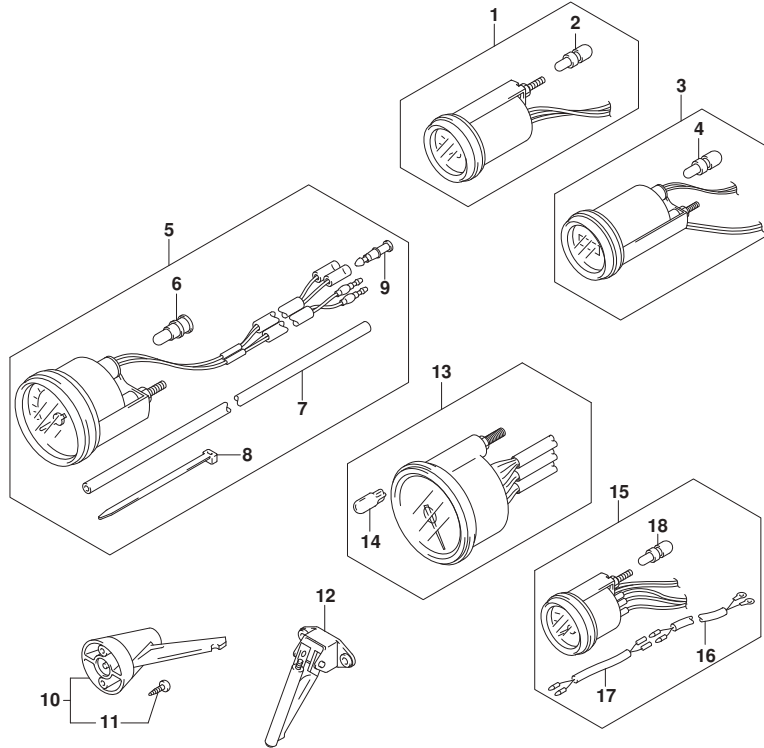


FIG.501C

FIG.501C (1-L-3) OPT:METER (DT40WR P40)

REF NO.	PART NO.	DESCRIPTION	Q'TY	REMARKS
1-1	34600-93J01	METER ASSY, VOLTAGE	1	BLACK
1-2	34600-93J12	METER ASSY, VOLTAGE	1	WHITE
2	09471-12103	.BULB (12V,3W,T6.5)	1	
3-1	34500-93J01	METER ASSY, HOUR	1	BLACK
3-2	34500-93J12	METER ASSY, HOUR	1	WHITE
4	09471-12103	.BULB (12V,3W,T6.5)	1	
5-1	34100-93J21	SPEEDOMETER ASSY	1	MAX 80KM/H BLACK
5-2	34100-93J32	SPEEDOMETER ASSY	1	MAX 80KM/H WHITE
5-3	34100-93J41	SPEEDOMETER ASSY	1	MAX 45KNOTS BLACK
5-4	34100-93J52	SPEEDOMETER ASSY	1	MAX 45KNOTS WHITE
6	09471-12028	.BULB (12V,3.4W)	1	
7	34191-92E00	.TUBE	1	
8	09407-14407	.CLAMP (L:145)	2	
9	36615-96300	.TERMINAL, RESIN	2	
10	34190-95500	SENDER ASSY, SPEEDOMETER	1	
11	02112-0630B	.SCREW	2	
12	34190-87D00	SENDER ASSY, SPEEDOMETER	1	
13-1	34200-93J21	TACHOMETER ASSY	1	BLACK
13-2	34200-93J33	TACHOMETER ASSY	1	WHITE
14	09471-12028	.BULB (12V,3.4W)	1	
15-1	34300-93J01	GAUGE ASSY, FUEL	1	BLACK
15-2	34300-93J12	GAUGE ASSY, FUEL	1	WHITE
16	34310-92E00	.LEAD, FUEL GAUGE	1	
17	34360-92E00	.ADAPTER, FUEL GAUGE	1	
18	09471-12103	.BULB (12V,3W,T6.5)	1	

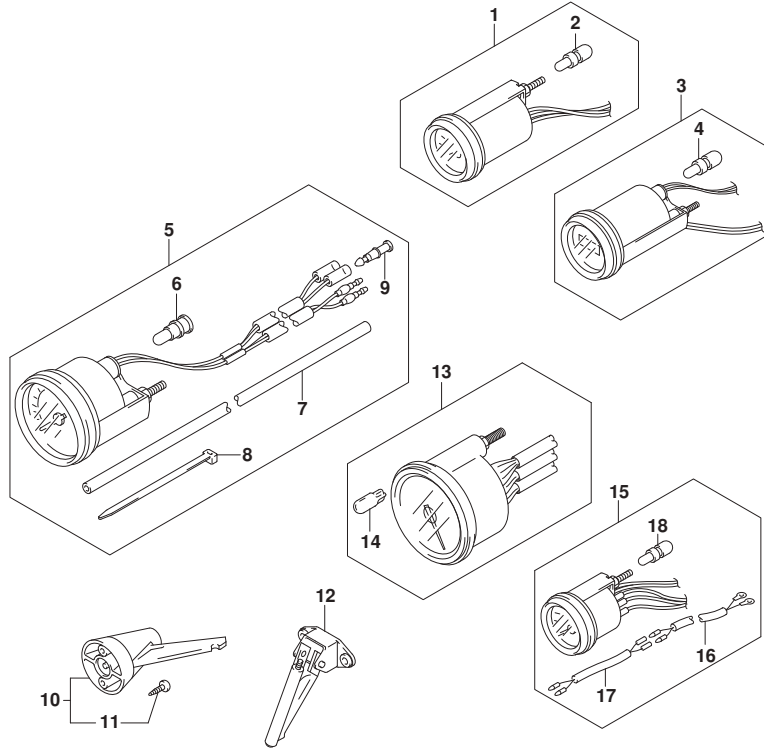


FIG.501D

FIG.501D (1-L-4) OPT:METER (DT40WR P90)

REF NO.	PART NO.	DESCRIPTION	Q'TY	REMARKS
1-1	34600-93J01	METER ASSY, VOLTAGE	1	BLACK
1-2	34600-93J12	METER ASSY, VOLTAGE	1	WHITE
2	09471-12103	.BULB (12V,3W,T6.5)	1	
3-1	34500-93J01	METER ASSY, HOUR	1	BLACK
3-2	34500-93J12	METER ASSY, HOUR	1	WHITE
4	09471-12103	.BULB (12V,3W,T6.5)	1	
5-1	34100-93J21	SPEEDOMETER ASSY	1	MAX 80KM/H BLACK
5-2	34100-93J32	SPEEDOMETER ASSY	1	MAX 80KM/H WHITE
5-3	34100-93J41	SPEEDOMETER ASSY	1	MAX 45KNOTS BLACK
5-4	34100-93J52	SPEEDOMETER ASSY	1	MAX 45KNOTS WHITE
6	09471-12028	.BULB (12V,3.4W)	1	
7	34191-92E00	.TUBE	1	
8	09407-14407	.CLAMP (L:145)	2	
9	36615-96300	.TERMINAL, RESIN	2	
10	34190-95500	SENDER ASSY, SPEEDOMETER	1	
11	02112-0630B	.SCREW	2	
12	34190-87D00	SENDER ASSY, SPEEDOMETER	1	
13-1	34200-93J21	TACHOMETER ASSY	1	BLACK
13-2	34200-93J33	TACHOMETER ASSY	1	WHITE
14	09471-12028	.BULB (12V,3.4W)	1	
15-1	34300-93J01	GAUGE ASSY, FUEL	1	BLACK
15-2	34300-93J12	GAUGE ASSY, FUEL	1	WHITE
16	34310-92E00	.LEAD, FUEL GAUGE	1	
17	34360-92E00	.ADAPTER, FUEL GAUGE	1	
18	09471-12103	.BULB (12V,3W,T6.5)	1	

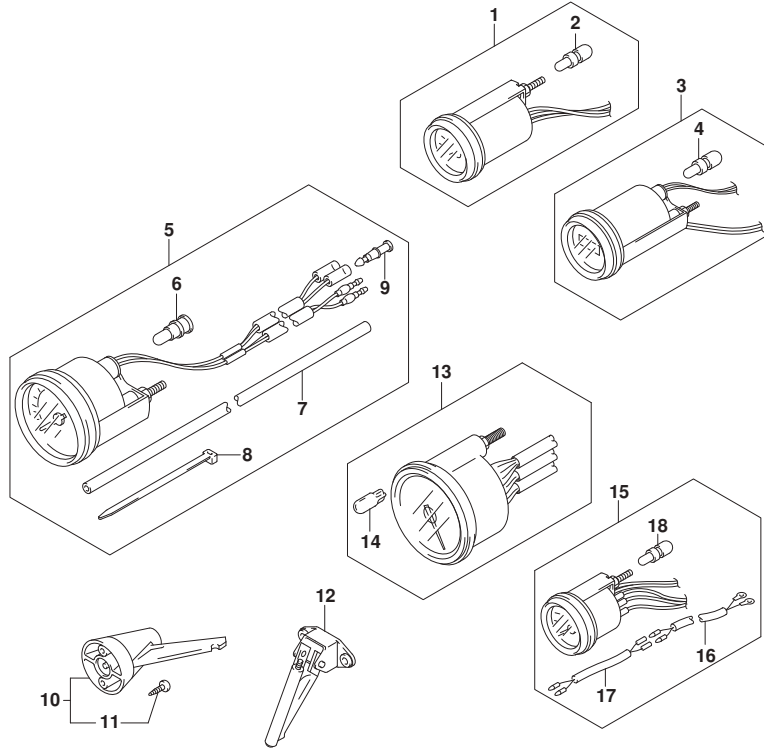


FIG.508A

FIG.508A (1-L-5) OPT:REMOTE CONTROL

REF NO.	PART NO.	DESCRIPTION	Q'TY	REMARKS
1	67200-91J20	REMOTE CONTROL ASSY	1	
2	36628-92E00	.GROMMET, WIRE HARNESS	1	
3	37830-95D03	.SWITCH ASSY, EMERGENCY & STOP	1	
4	37823-92E01	.PLATE, LOCK	1	
5	67212-95600	.WASHER	1	
6	67220-95630	.PLATE ASSY	1	
7	67223-99E10	.KNOB, BRAKE ADJUST	1	
8	67229-95600	.ROLLER	1	
9	67232-95600	.BUSH	1	
10	67238-87D00	.GEAR, DRIVE	1	
11	67241-99E10	.LEVER, FREE THROTTLE	1	
12	67243-95600	.BUSH	1	
13	67244-95600	.WAVE WASHER	1	
14	67245-95600	.DRUM, FREE THROTTLE	1	
15	67251-99E20	.LEVER, HANDLE	1	
16	67252-95600	.BUSH	2	
17	67253-95600	.WASHER	1	
18	67255-99E10	.ARM, LOCK	1	
19	67256-95600	.HOLDER, NEUTRAL LOCK	1	
20	67257-99E10	.CAP, LEVER	1	
21	67258-99E00	.BRACKET	1	
22	67259-87D00	.SPRING, NEUTRAL ARM	1	
23	67261-99E10	.GRIP	1	
24	67296-94310	.SCREW	1	
25	67264-95600	.WASHER	1	
26	67267-93J00	.COVER, WIRE	1	
27	67273-95600	.SPACER	1	
28	67275-95600	.END, CABLE	2	
29	37864-94J10	.CAP, PTT SWITCH	1	
30	67292-94300	.E RING	3	
31	67294-95600	.SPACER	3	
32	67296-90J00	.SCREW, REAR COVER	5	
33	67296-94300	.SCREW	2	
34	67296-95600	.SCREW	3	

FIG.508A

FIG.508A (1-L-6) OPT:REMOTE CONTROL

REF NO.	PART NO.	DESCRIPTION	Q'TY	REMARKS
35	67296-95610	.SCREW	2	
36	67297-95600	.WASHER	2	
37	77811-54GB0-0PG	.EMBLEM, REAR MARK S (CHROME)	1	
38	09100-08232	.BOLT (8X30)	1	
39	09126-05003	.SCREW (5X12)	2	
40	09140-06020	.NUT	3	
41	09160-06104	.WASHER (6.5X24X2)	3	
42	37859-90J00	.SPACER	1	
43	67282-94L00	.DECAL, REMOCON SIDE	1	
44	67284-94L00	.MARK, HANDLE LEVER	1	

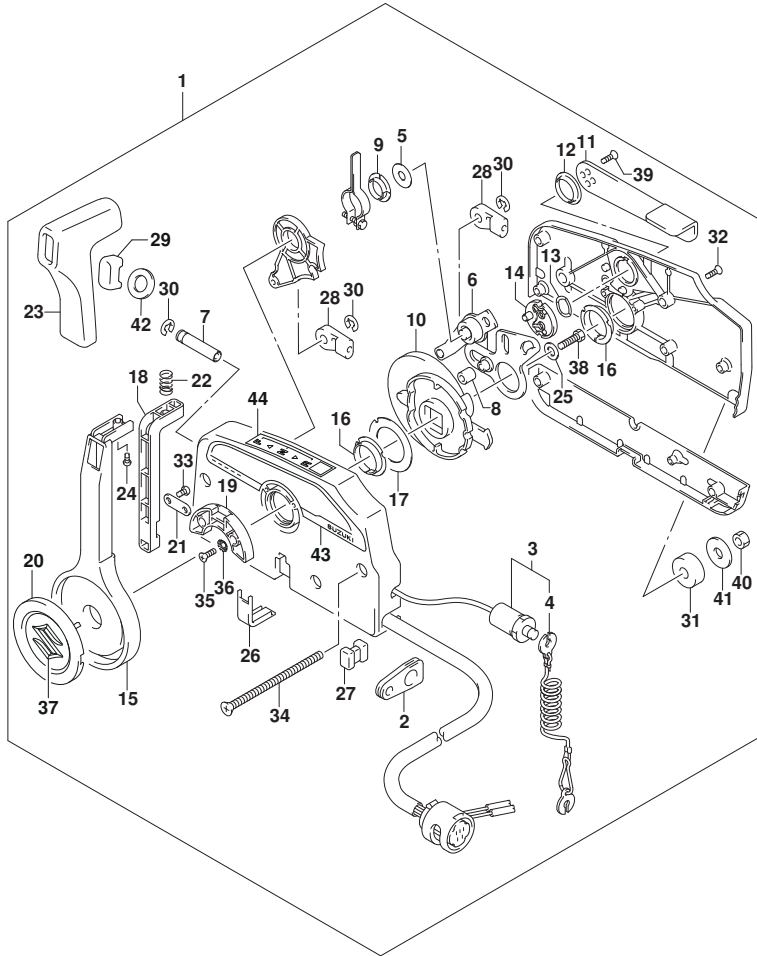


FIG.513A

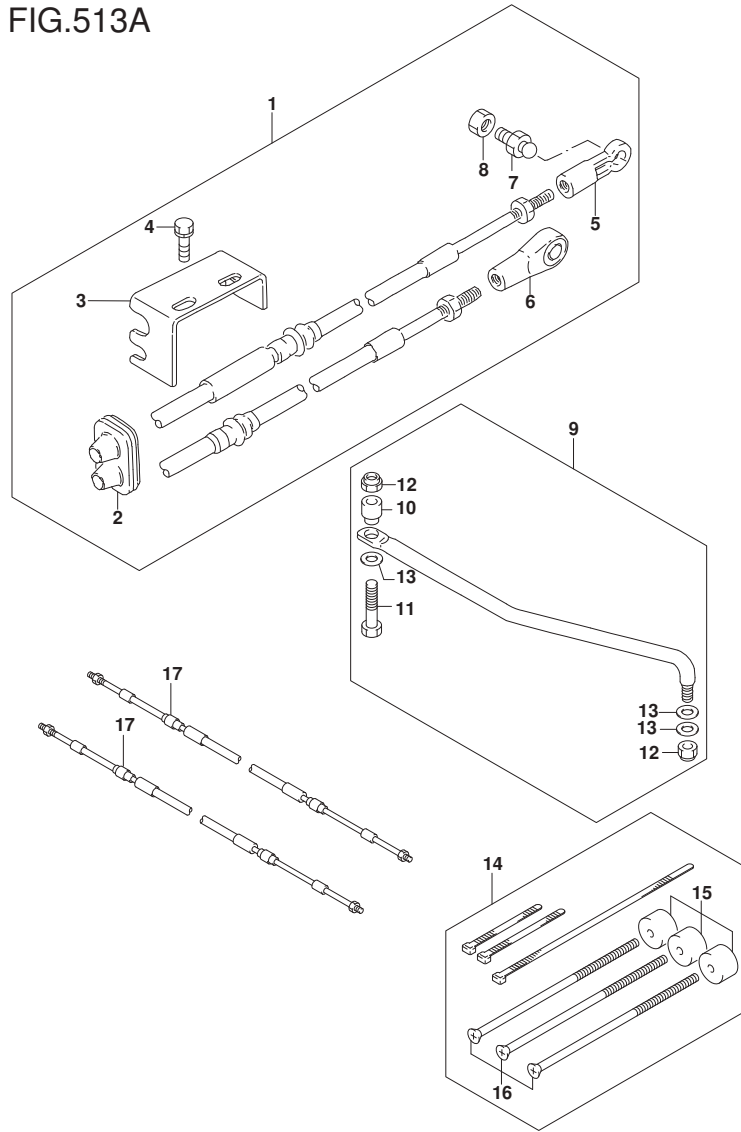


FIG.513A (1-L-7) OPT:REMOTE CONTROL PARTS (DT40W P40)

REF NO.	PART NO.	DESCRIPTION	Q'TY	REMARKS
1	67130-94812	PARTS ASSY, REMOCON	1	
2	67331-94400	.GROMMET, REMOCON CABLE	1	
3	67341-94400	.HOLDER, REMOCON CABLE	1	
4	09116-06237	.BOLT (6X15)	2	
5	67466-95200	.CONNECTOR, REMOCON CABLE	1	
6	67467-94404	.CONNECTOR, REMOCON CABLE (CL)	1	
7	09119-06047	.PIVOT	1	
8	29141-93J00	.NUT	1	
9	67701-94430	LINK ASSY, DRAG	1	
10	67721-94310	.SPACER	1	
11	67725-99E10	.BOLT	1	
12	67726-99E00	.NUT	2	
13	67728-99E00	.WASHER	3	
14	67140-95600	ATTACHMENT KIT, TWIN R/CON	1	
15	67294-95600	.SPACER	3	
16	67296-95621	.SCREW	3	
17-1	67320-93J00	CABLE, REMOCON 8F (2.4M)	2	
17-2	67320-93J10	CABLE, REMOCON 10F (3.1M)	2	
17-3	67320-93J20	CABLE, REMOCON 12F (3.7M)	2	
17-4	67320-93J30	CABLE, REMOCON 14F (4.2M)	2	
17-5	67320-93J40	CABLE, REMOCON 16F (4.8M)	2	
17-6	67320-93J50	CABLE, REMOCON 18F (5.4M)	2	
17-7	67320-93J60	CABLE, REMOCON 20F (6.1M)	2	
17-8	67320-93J70	CABLE, REMOCON 22F (6.7M)	2	
17-9	67320-93J80	CABLE, REMOCON 24F (7.3M)	2	

FIG.513B

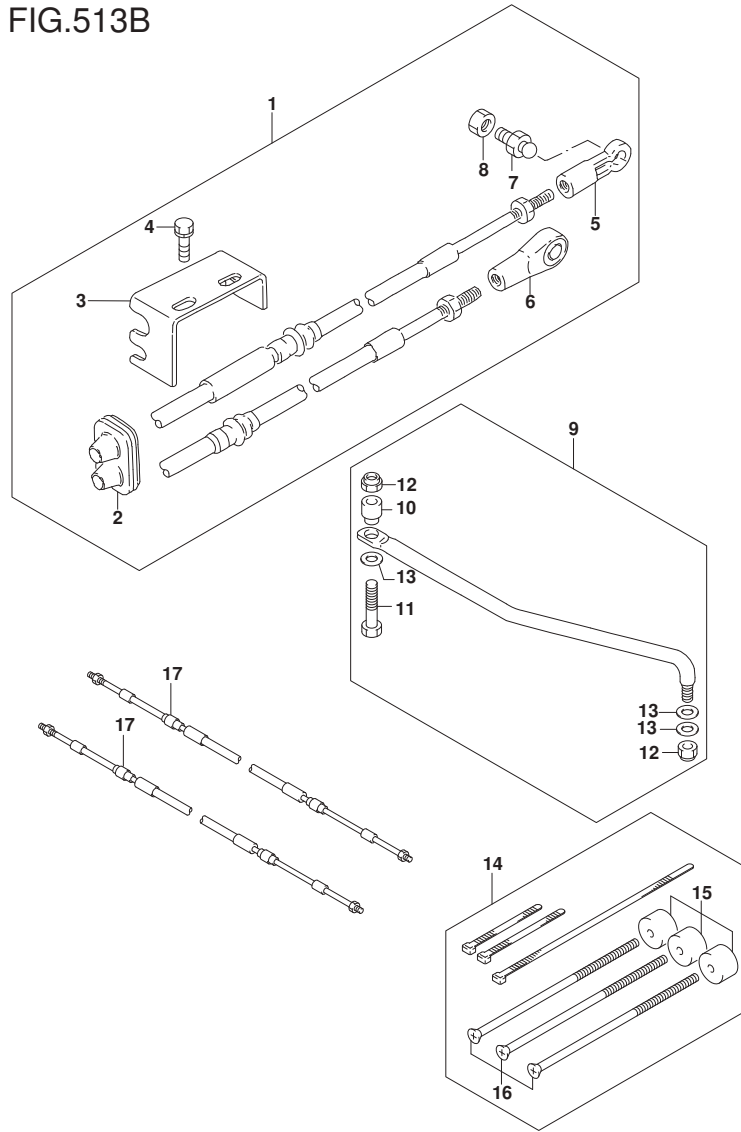


FIG.513B (1-L-8) OPT:REMOTE CONTROL PARTS (DT40W P90)

REF NO.	PART NO.	DESCRIPTION	Q'TY	REMARKS
1	67130-94812	PARTS ASSY, REMOCON	1	
2	67331-94400	.GROMMET, REMOCON CABLE	1	
3	67341-94400	.HOLDER, REMOCON CABLE	1	
4	09116-06237	.BOLT (6X15)	2	
5	67466-95200	.CONNECTOR, REMOCON CABLE	1	
6	67467-94404	.CONNECTOR, REMOCON CABLE (CL)	1	
7	09119-06047	.PIVOT	1	
8	29141-93J00	.NUT	1	
9	67701-94430	LINK ASSY, DRAG	1	
10	67721-94310	.SPACER	1	
11	67725-99E10	.BOLT	1	
12	67726-99E00	.NUT	2	
13	67728-99E00	.WASHER	3	
14	67140-95600	ATTACHMENT KIT, TWIN R/CON	1	
15	67294-95600	.SPACER	3	
16	67296-95621	.SCREW	3	
17-1	67320-93J00	CABLE, REMOCON 8F (2.4M)	2	
17-2	67320-93J10	CABLE, REMOCON 10F (3.1M)	2	
17-3	67320-93J20	CABLE, REMOCON 12F (3.7M)	2	
17-4	67320-93J30	CABLE, REMOCON 14F (4.2M)	2	
17-5	67320-93J40	CABLE, REMOCON 16F (4.8M)	2	
17-6	67320-93J50	CABLE, REMOCON 18F (5.4M)	2	
17-7	67320-93J60	CABLE, REMOCON 20F (6.1M)	2	
17-8	67320-93J70	CABLE, REMOCON 22F (6.7M)	2	
17-9	67320-93J80	CABLE, REMOCON 24F (7.3M)	2	

FIG.513C

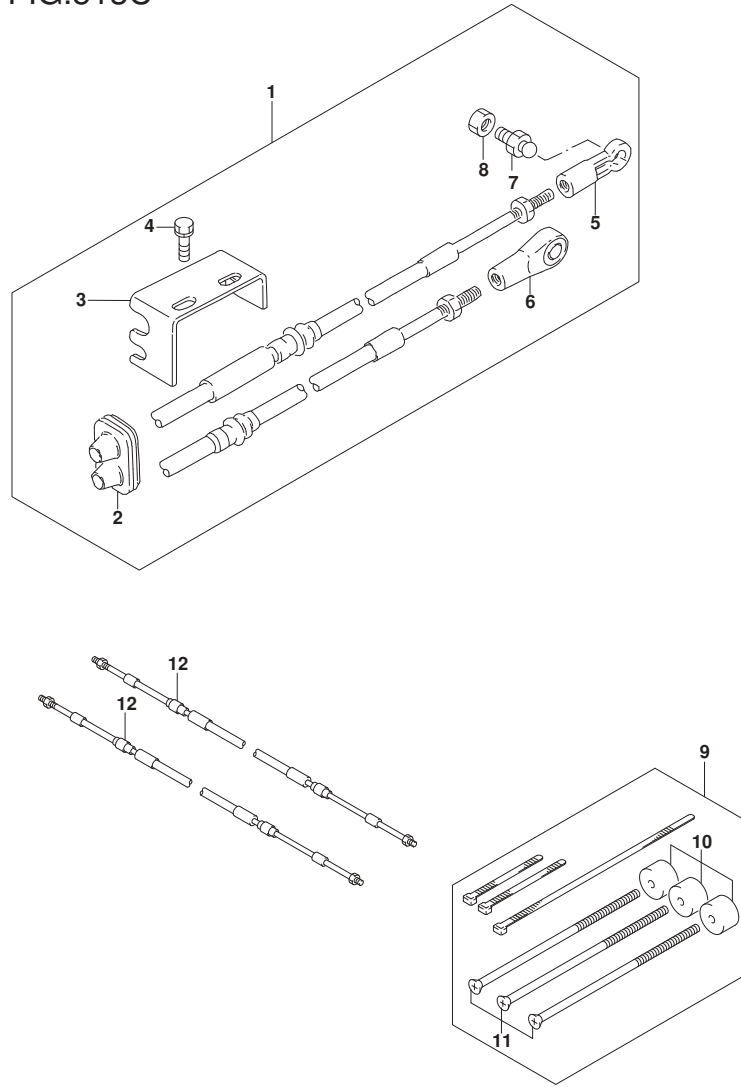


FIG.513C (1-L-9) OPT:REMOTE CONTROL PARTS (DT40WR P40)

REF NO.	PART NO.	DESCRIPTION	Q'TY	REMARKS
1	67130-94812	PARTS ASSY, REMOCON	1	
2	67331-94400	.GROMMET, REMOCON CABLE	1	
3	67341-94400	.HOLDER, REMOCON CABLE	1	
4	09116-06237	.BOLT (6X15)	2	
5	67466-95200	.CONNECTOR, REMOCON CABLE	1	
6	67467-94404	.CONNECTOR, REMOCON CABLE (CL)	1	
7	09119-06047	.PIVOT	1	
8	29141-93J00	.NUT	1	
9	67140-95600	ATTACHMENT KIT, TWIN R/CON	1	
10	67294-95600	.SPACER	3	
11	67296-95621	.SCREW	3	
12-1	67320-93J00	CABLE, REMOCON 8F (2.4M)	2	
12-2	67320-93J10	CABLE, REMOCON 10F (3.1M)	2	
12-3	67320-93J20	CABLE, REMOCON 12F (3.7M)	2	
12-4	67320-93J30	CABLE, REMOCON 14F (4.2M)	2	
12-5	67320-93J40	CABLE, REMOCON 16F (4.8M)	2	
12-6	67320-93J50	CABLE, REMOCON 18F (5.4M)	2	
12-7	67320-93J60	CABLE, REMOCON 20F (6.1M)	2	
12-8	67320-93J70	CABLE, REMOCON 22F (6.7M)	2	
12-9	67320-93J80	CABLE, REMOCON 24F (7.3M)	2	

FIG.513D

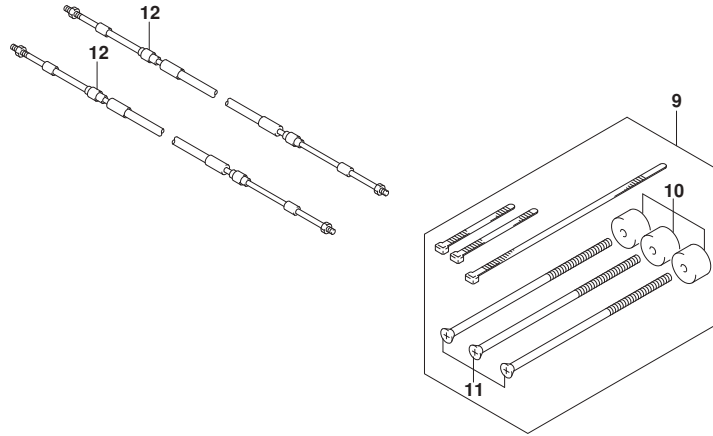
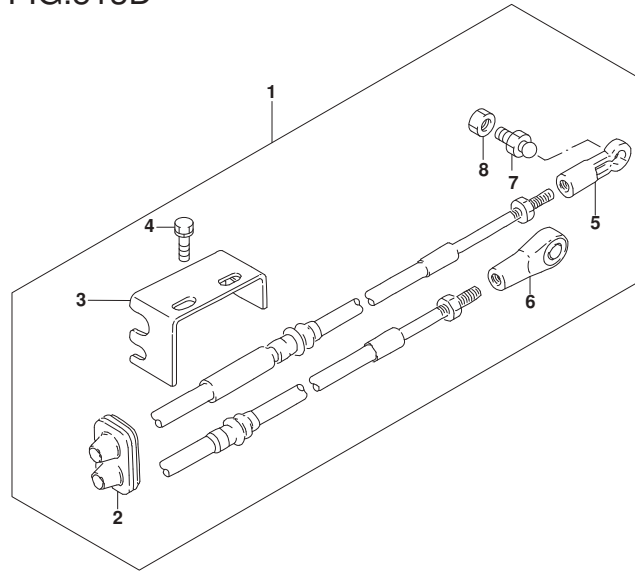


FIG.513D (1-L-10) OPT:REMOTE CONTROL PARTS (DT40WR P90)

REF NO.	PART NO.	DESCRIPTION	Q'TY	REMARKS
1	67130-94812	PARTS ASSY, REMOCON	1	
2	67331-94400	.GROMMET, REMOCON CABLE	1	
3	67341-94400	.HOLDER, REMOCON CABLE	1	
4	09116-06237	.BOLT (6X15)	2	
5	67466-95200	.CONNECTOR, REMOCON CABLE	1	
6	67467-94404	.CONNECTOR, REMOCON CABLE (CL)	1	
7	09119-06047	.PIVOT	1	
8	29141-93J00	.NUT	1	
9	67140-95600	ATTACHMENT KIT, TWIN R/CON	1	
10	67294-95600	.SPACER	3	
11	67296-95621	.SCREW	3	
12-1	67320-93J00	CABLE, REMOCON 8F (2.4M)	2	
12-2	67320-93J10	CABLE, REMOCON 10F (3.1M)	2	
12-3	67320-93J20	CABLE, REMOCON 12F (3.7M)	2	
12-4	67320-93J30	CABLE, REMOCON 14F (4.2M)	2	
12-5	67320-93J40	CABLE, REMOCON 16F (4.8M)	2	
12-6	67320-93J50	CABLE, REMOCON 18F (5.4M)	2	
12-7	67320-93J60	CABLE, REMOCON 20F (6.1M)	2	
12-8	67320-93J70	CABLE, REMOCON 22F (6.7M)	2	
12-9	67320-93J80	CABLE, REMOCON 24F (7.3M)	2	

FIG.513E

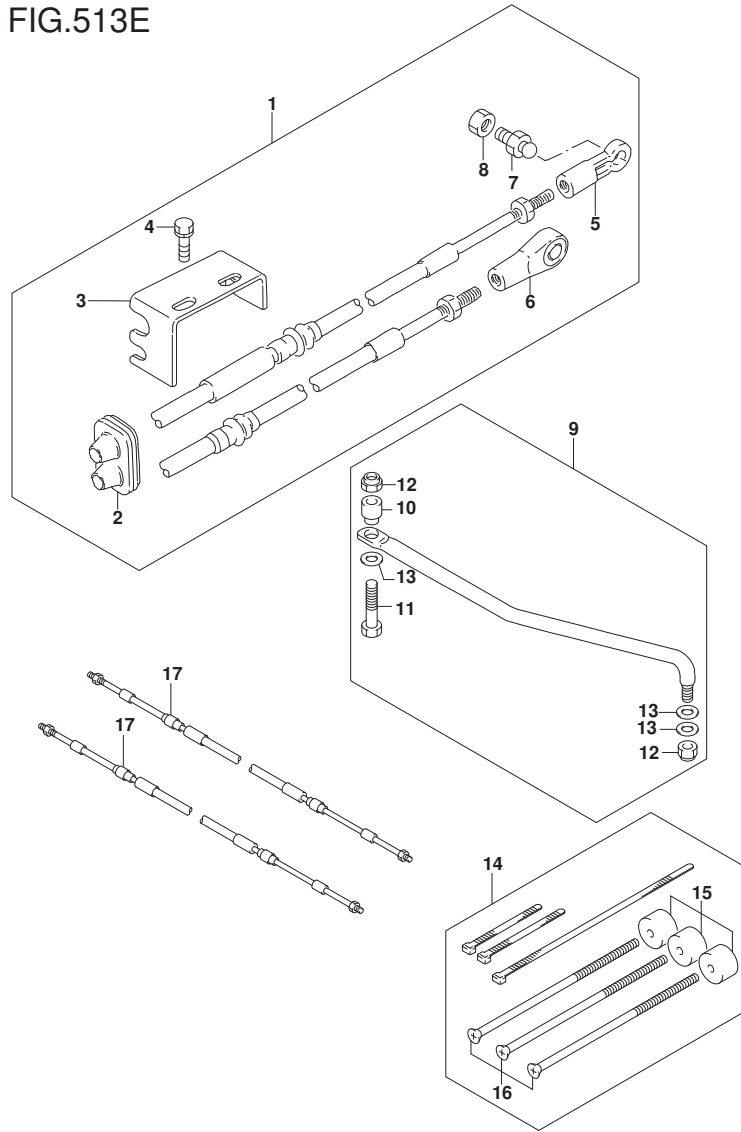


FIG.513E (1-L-11) OPT:REMOTE CONTROL PARTS (DT40WK P40)

REF NO.	PART NO.	DESCRIPTION	Q'TY	REMARKS
1	67130-94812	PARTS ASSY, REMOCON	1	
2	67331-94400	.GROMMET, REMOCON CABLE	1	
3	67341-94400	.HOLDER, REMOCON CABLE	1	
4	09116-06237	.BOLT (6X15)	2	
5	67466-95200	.CONNECTOR, REMOCON CABLE	1	
6	67467-94404	.CONNECTOR, REMOCON CABLE (CL)	1	
7	09119-06047	.PIVOT	1	
8	29141-93J00	.NUT	1	
9	67701-94430	LINK ASSY, DRAG	1	
10	67721-94310	.SPACER	1	
11	67725-99E10	.BOLT	1	
12	67726-99E00	.NUT	2	
13	67728-99E00	.WASHER	3	
14	67140-95600	ATTACHMENT KIT, TWIN R/CON	1	
15	67294-95600	.SPACER	3	
16	67296-95621	.SCREW	3	
17-1	67320-93J00	CABLE, REMOCON 8F (2.4M)	2	
17-2	67320-93J10	CABLE, REMOCON 10F (3.1M)	2	
17-3	67320-93J20	CABLE, REMOCON 12F (3.7M)	2	
17-4	67320-93J30	CABLE, REMOCON 14F (4.2M)	2	
17-5	67320-93J40	CABLE, REMOCON 16F (4.8M)	2	
17-6	67320-93J50	CABLE, REMOCON 18F (5.4M)	2	
17-7	67320-93J60	CABLE, REMOCON 20F (6.1M)	2	
17-8	67320-93J70	CABLE, REMOCON 22F (6.7M)	2	
17-9	67320-93J80	CABLE, REMOCON 24F (7.3M)	2	

FIG.550A

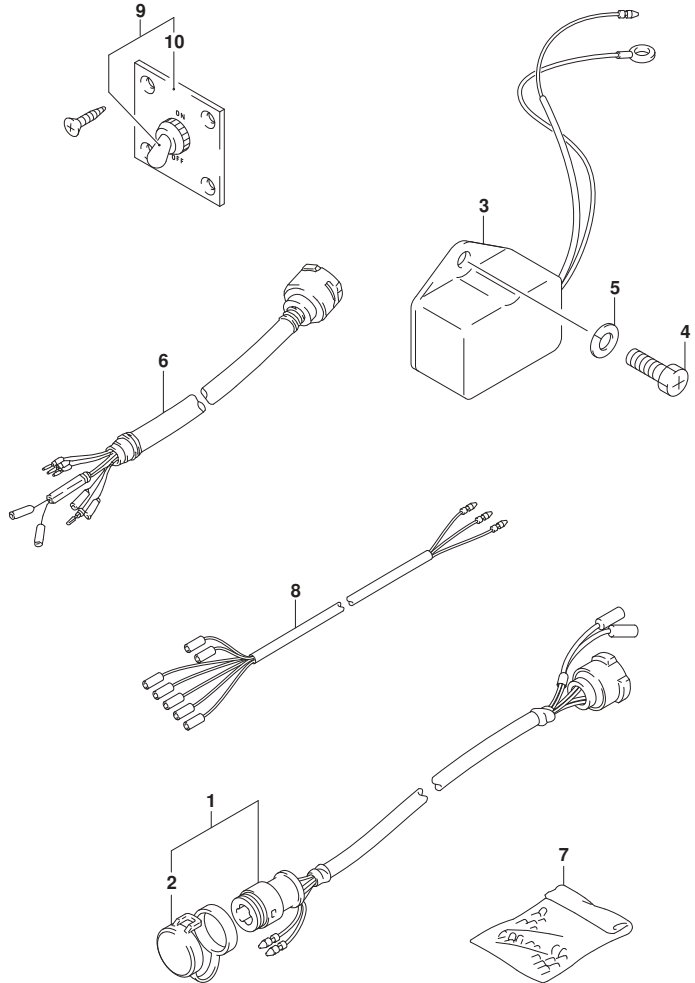


FIG.550A (1-L-12) OPT:ELECTRICAL (DT40WR P40)

REF NO.	PART NO.	DESCRIPTION	Q'TY	REMARKS
1-1	36620-87D20	WIRING HARNESS EXTENSION	1	L:5000
1-2	36620-95302	WIRING HARNESS EXTENSION	1	L:2000
2	36631-94300	.CAP	1	
3	32500-95722	REGULATOR ASSY, VOLTAGE	1	
4	02162-06127	SCREW	2	
5	08321-01067	LOCK WASHER	2	
6	36620-92E00	WIRING ASSY, REMOCON EXTENSION	1	
7	36990-87D00	TERMINAL/SLEEVE SET	1	
8	36630-92E00	WIRE, INSTRUMENT	1	
9	37210-93J00	PANEL ASSY, LIGHTING SW	1	
10	37212-93J00	.PANEL, LIGHTING SW	1	

FIG.550B

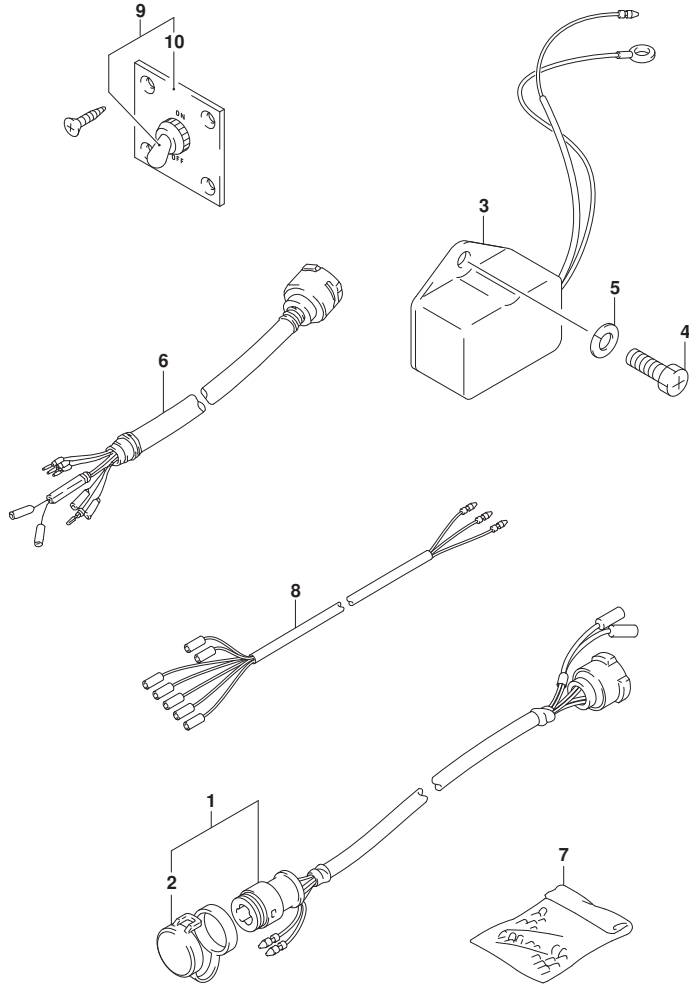


FIG.550B (1-L-13) OPT:ELECTRICAL (DT40WR P90)

REF NO.	PART NO.	DESCRIPTION	Q'TY	REMARKS
1-1	36620-87D20	WIRING HARNESS EXTENSION	1	L:5000
1-2	36620-95302	WIRING HARNESS EXTENSION	1	L:2000
2	36631-94300	.CAP	1	
3	32500-95722	REGULATOR ASSY, VOLTAGE	1	
4	02162-06127	SCREW	2	
5	08321-01067	LOCK WASHER	2	
6	36620-92E00	WIRING ASSY, REMOCON EXTENSION	1	
7	36990-87D00	TERMINAL/SLEEVE SET	1	
8	36630-92E00	WIRE, INSTRUMENT	1	
9	37210-93J00	PANEL ASSY, LIGHTING SW	1	
10	37212-93J00	.PANEL, LIGHTING SW	1	

FIG.553A

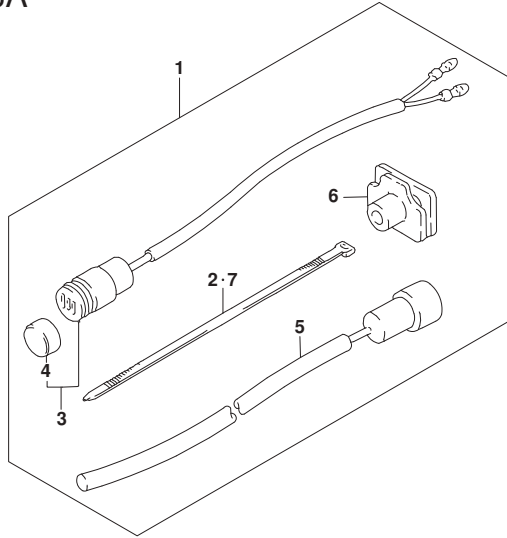


FIG.553A (1-L-14) OPT:ELECTRICAL (MANUAL STARTER) (DT40W P40)

REF NO.	PART NO.	DESCRIPTION	Q'TY	REMARKS
1	39600-93910	RECEPTACLE SET	1	
2	09407-25402	.CLAMP (L:250)	1	
3	39601-95D00	.RECEPTACLE ASSY, LIGHTING	1	
4	36634-93910	.CAP	1	
5	39602-93900	.PLUG ASSY, LIGHTING	1	
6	39603-94400	.GROMMET, LIGHTING CABLE	1	
7	09407-10403	.CLAMP (L:95)	1	
8	32801-94402	RECTIFIER SET	1	
9	32800-95D01	.RECTIFIER ASSY	1	
10	36740-95253	.CASE ASSY, FUSE	1	
11	09481-20001	..FUSE (20A)	1	
12	37132-93700	.CONNECTOR, LEAD	1	
13	02142-05257	.SCREW	1	
14	08310-00057	.NUT	1	
15	08321-0105A	.LOCK WASHER	1	
16	36990-87D00	TERMINAL/SLEEVE SET	1	

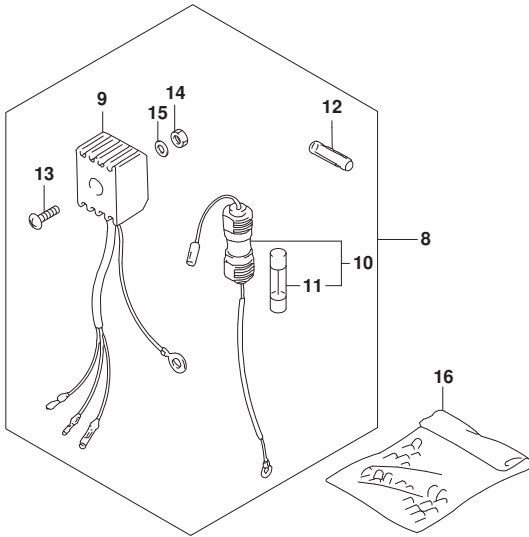


FIG.553B

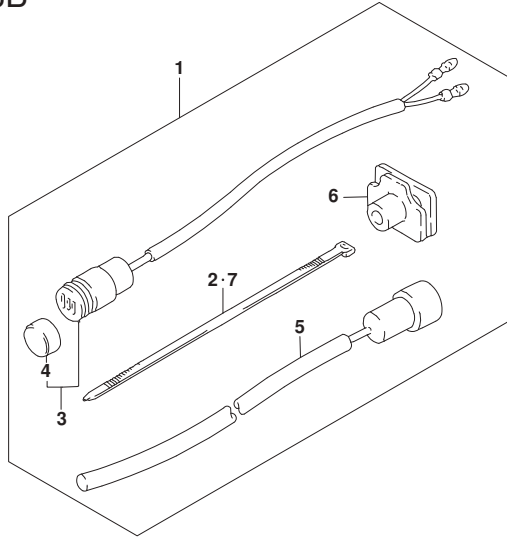


FIG.553B (1-L-15) OPT:ELECTRICAL (MANUAL STARTER) (DT40W P90)

REF NO.	PART NO.	DESCRIPTION	Q'TY	REMARKS
1	39600-93910	RECEPTACLE SET	1	
2	09407-25402	.CLAMP (L:250)	1	
3	39601-95D00	.RECEPTACLE ASSY, LIGHTING	1	
4	36634-93910	.CAP	1	
5	39602-93900	.PLUG ASSY, LIGHTING	1	
6	39603-94400	.GROMMET, LIGHTING CABLE	1	
7	09407-10403	.CLAMP (L:95)	1	
8	32801-94402	RECTIFIER SET	1	
9	32800-95D01	.RECTIFIER ASSY	1	
10	36740-95253	.CASE ASSY, FUSE	1	
11	09481-20001	..FUSE (20A)	1	
12	37132-93700	.CONNECTOR, LEAD	1	
13	02142-05257	.SCREW	1	
14	08310-00057	.NUT	1	
15	08321-0105A	.LOCK WASHER	1	
16	36990-87D00	TERMINAL/SLEEVE SET	1	

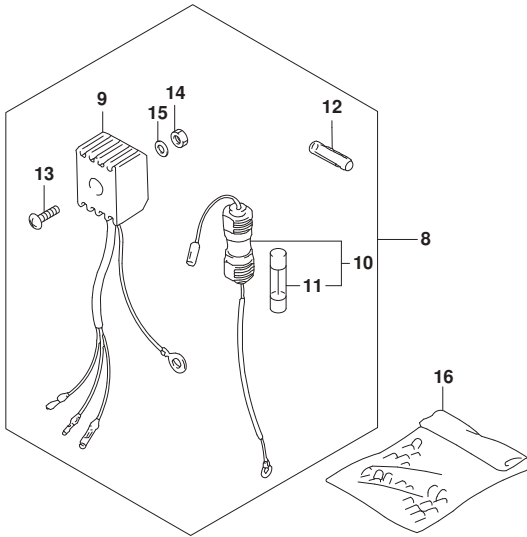


FIG.553C

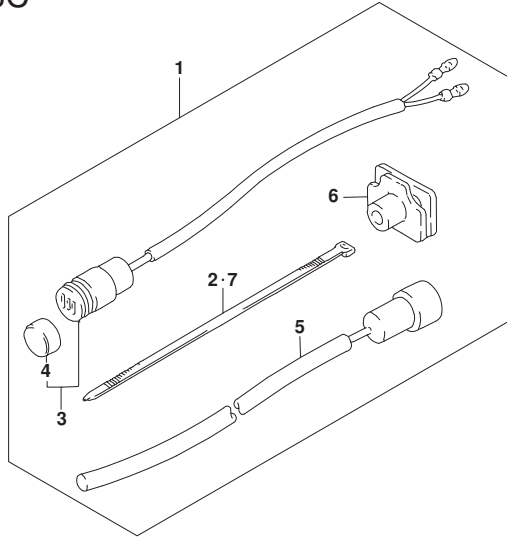


FIG.553C (2-B-2) OPT:ELECTRICAL (MANUAL STARTER) (DT40WK P40)

REF NO.	PART NO.	DESCRIPTION	Q'TY	REMARKS
1	39600-93910	RECEPTACLE SET	1	
2	09407-25402	.CLAMP (L:250)	1	
3	39601-95D00	.RECEPTACLE ASSY, LIGHTING	1	
4	36634-93910	.CAP	1	
5	39602-93900	.PLUG ASSY, LIGHTING	1	
6	39603-94400	.GROMMET, LIGHTING CABLE	1	
7	09407-10403	.CLAMP (L:95)	1	
8	32801-94402	RECTIFIER SET	1	
9	32800-95D01	.RECTIFIER ASSY	1	
10	36740-95253	.CASE ASSY, FUSE	1	
11	09481-20001	..FUSE (20A)	1	
12	37132-93700	.CONNECTOR, LEAD	1	
13	02142-05257	.SCREW	1	
14	08310-00057	.NUT	1	
15	08321-0105A	.LOCK WASHER	1	
16	36990-87D00	TERMINAL/SLEEVE SET	1	

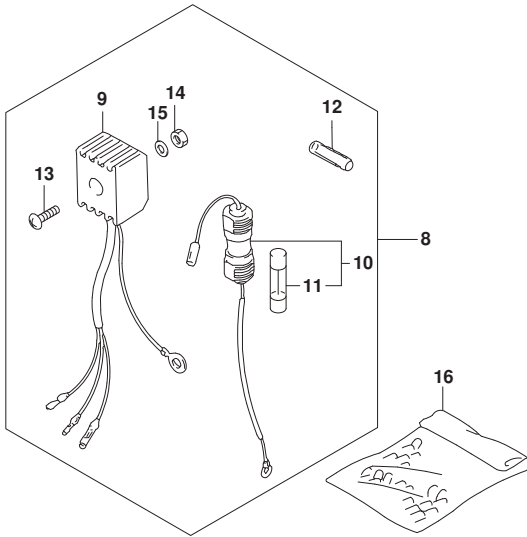


FIG.554A

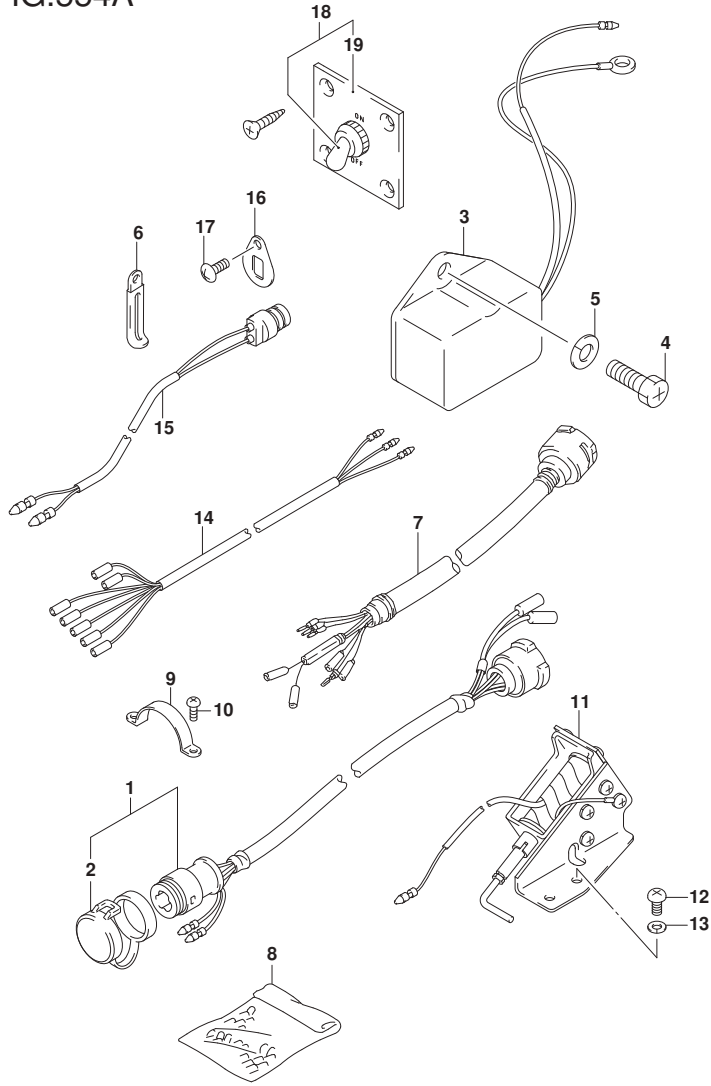


FIG.554A (2-B-3) OPT:ELECTRICAL (ELECTRIC STARTER) (DT40W P40)

REF NO.	PART NO.	DESCRIPTION	Q'TY	REMARKS
1-1	36620-87D20	WIRING HARNESS EXTENSION	1	L:5000
1-2	36620-95302	WIRING HARNESS EXTENSION	1	L:2000
2	36631-94300	.CAP	1	
3	32500-95722	REGULATOR ASSY, VOLTAGE	1	
4	02162-06127	SCREW	2	
5	08321-01067	LOCK WASHER	2	
6	29404-93J10	CLAMP	1	
7	36620-92E00	WIRING ASSY, REMOCON EXTENSION	1	
8	36990-87D00	TERMINAL/SLEEVE SET	1	
9	38501-95500	BAND, BUZZER	1	
10	02112-05087	SCREW	2	
11	38600-94400	SOLENOID ASSY, CHOKE	1	
12	02112-05107	SCREW	2	
13	08321-0105A	LOCK WASHER	2	
14	36630-92E00	WIRE, INSTRUMENT	1	
15	34850-94610	SENSOR ASSY, HEAT	1	
16	34853-94700	SUPPORTER, HEAT SENSOR	1	
17	29125-93J00	SCREW	1	
18	37210-93J00	PANEL ASSY, LIGHTING SW	1	
19	37212-93J00	.PANEL, LIGHTING SW	1	

FIG.554B

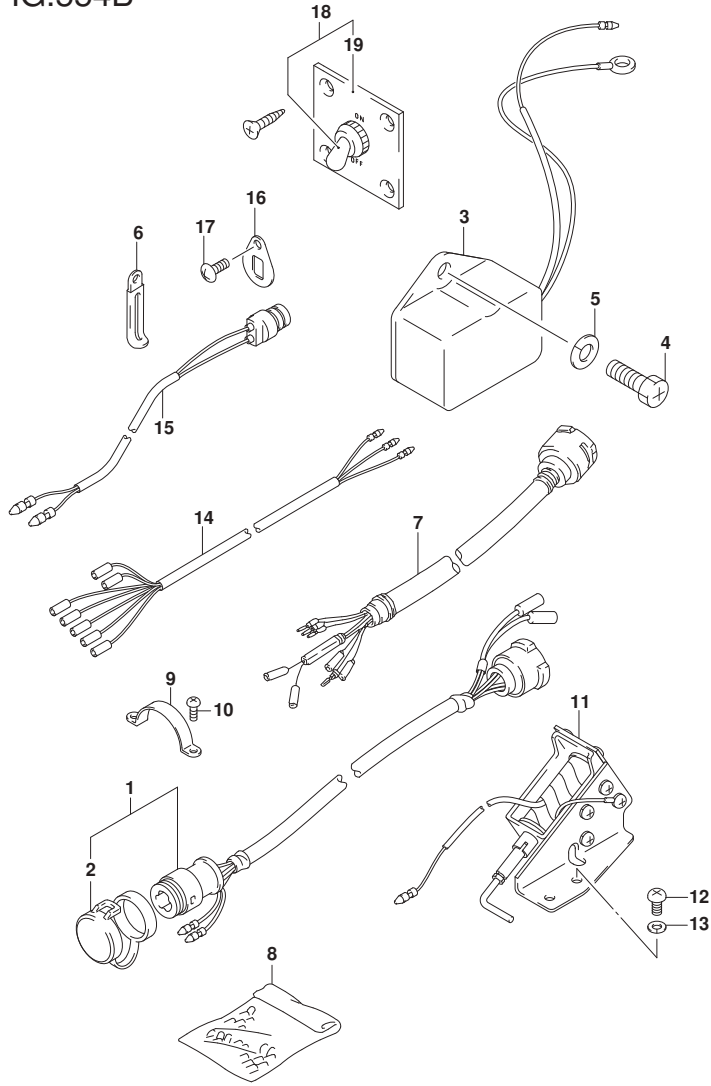


FIG.554B (2-B-4) OPT:ELECTRICAL (ELECTRIC STARTER) (DT40W P90)

REF NO.	PART NO.	DESCRIPTION	Q'TY	REMARKS
1-1	36620-87D20	WIRING HARNESS EXTENSION	1	L:5000
1-2	36620-95302	WIRING HARNESS EXTENSION	1	L:2000
2	36631-94300	.CAP	1	
3	32500-95722	REGULATOR ASSY, VOLTAGE	1	
4	02162-06127	SCREW	2	
5	08321-01067	LOCK WASHER	2	
6	29404-93J10	CLAMP	1	
7	36620-92E00	WIRING ASSY, REMOCON EXTENSION	1	
8	36990-87D00	TERMINAL/SLEEVE SET	1	
9	38501-95500	BAND, BUZZER	1	
10	02112-05087	SCREW	2	
11	38600-94400	SOLENOID ASSY, CHOKE	1	
12	02112-05107	SCREW	2	
13	08321-0105A	LOCK WASHER	2	
14	36630-92E00	WIRE, INSTRUMENT	1	
15	34850-94610	SENSOR ASSY, HEAT	1	
16	34853-94700	SUPPORTER, HEAT SENSOR	1	
17	29125-93J00	SCREW	1	
18	37210-93J00	PANEL ASSY, LIGHTING SW	1	
19	37212-93J00	.PANEL, LIGHTING SW	1	

FIG.561A

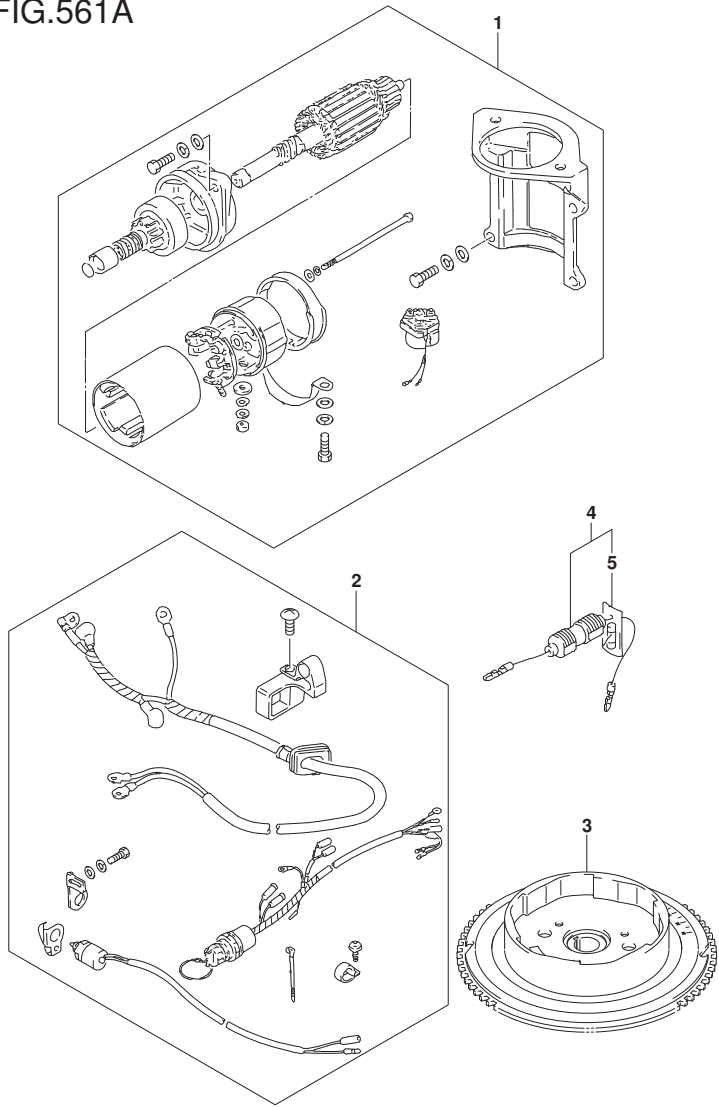


FIG.561A (2-B-5) OPT:STARTING MOTOR (MANUAL STARTER) (DT40W P40)

REF NO.	PART NO.	DESCRIPTION	QTY	REMARKS
1	31101-94402-0EP	MOTOR SET, STARTING (BLACK)	1	
2	33800-94433	CABLE/SWITCH SET, STARTING	1	
3	32102-92L00	FLYWHEEL	1	
4	36740-93901	CASE ASSY, FUSE	1	
5	09481-20001	.FUSE (20A)	1	

FIG.561B

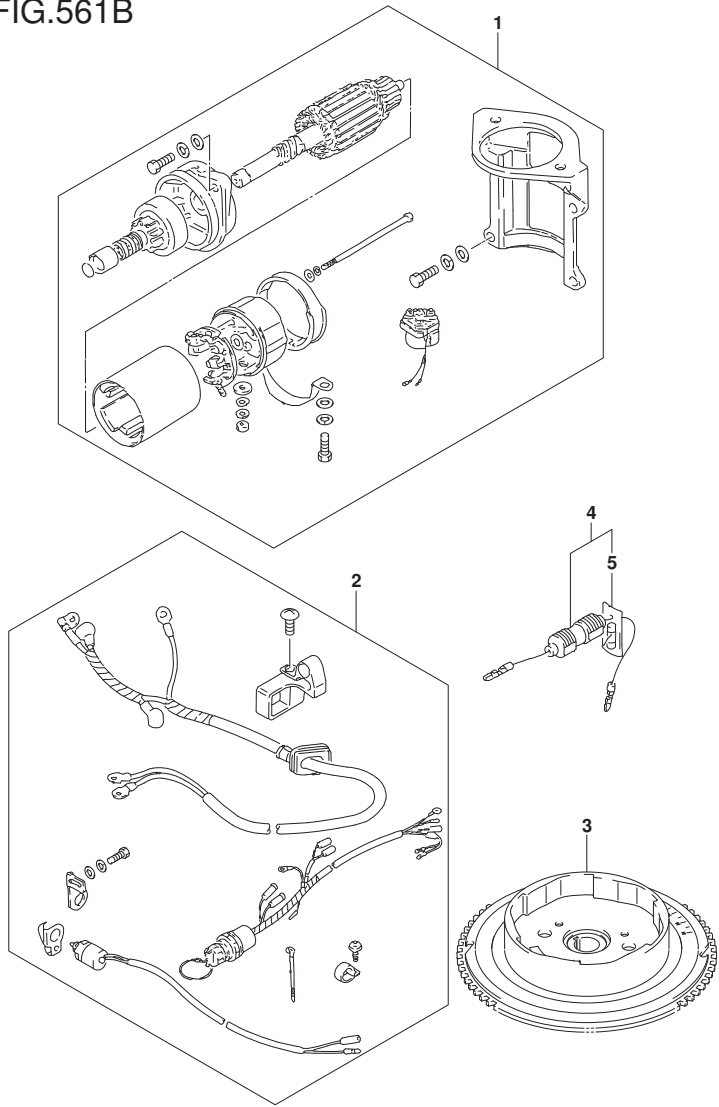


FIG.561B (2-B-6) OPT:STARTING MOTOR (MANUAL STARTER) (DT40W P90)

REF NO.	PART NO.	DESCRIPTION	QTY	REMARKS
1	31101-94402-0EP	MOTOR SET, STARTING (BLACK)	1	
2	33800-94433	CABLE/SWITCH SET, STARTING	1	
3	32102-92L00	FLYWHEEL	1	
4	36740-93901	CASE ASSY, FUSE	1	
5	09481-20001	.FUSE (20A)	1	

FIG.570A

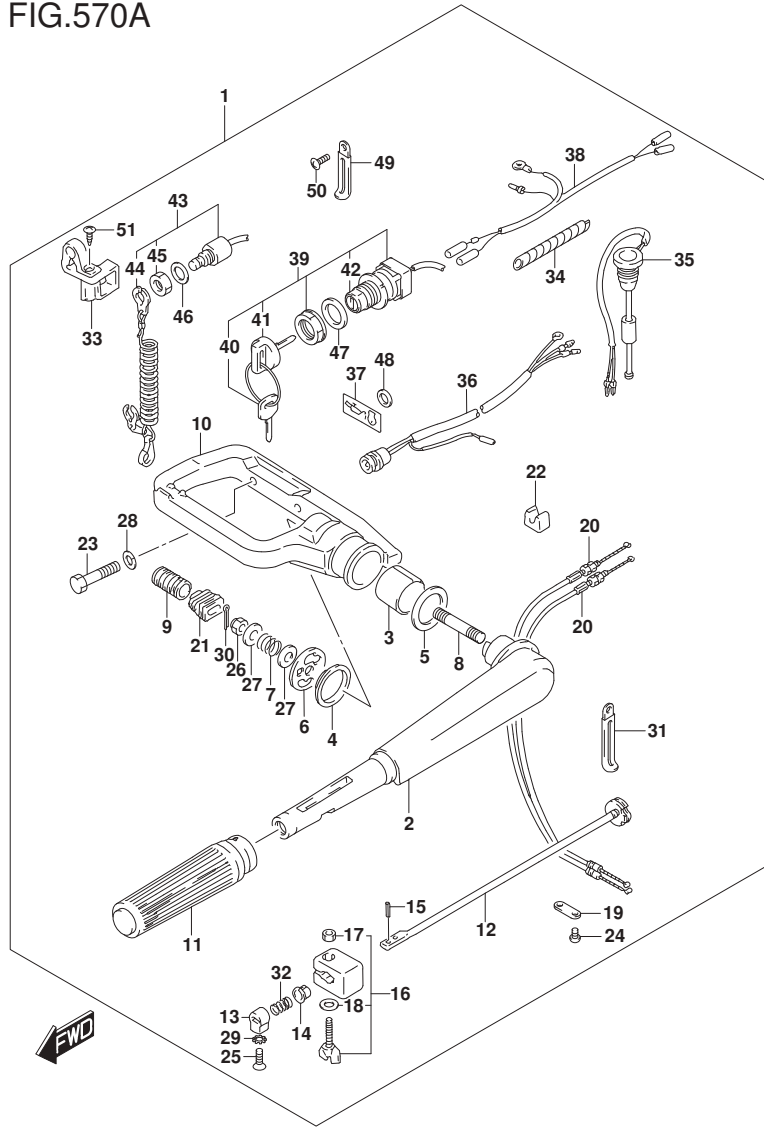


FIG.570A (2-B-7) OPT:TILLER HANDLE (DT40WR P40)

REF NO.	PART NO.	DESCRIPTION	Q'TY	REMARKS
1	63001-97E08-0EP	HANDLE ASSY, TILLER (BLACK)	1	
2	63111-97E05-0EP	.HANDLE, TILLER (BLACK)	1	
3	63115-97E00	.BUSH, TILLER HANDLE	1	
4	63116-97E00	.WASHER, TILLER HANDLE NO.1	1	
5	63117-97E01	.WASHER, TILLER HANDLE NO.2	1	
6	63125-97E01	.PLATE, TILLER HANDLE	1	
7	63126-97E01	.SPRING, HANDLE STUD	1	
8	09108-10137	.STUD BOLT	1	
9	63128-97E00	.COVER, HANDLE NUT	1	
10	63131-97E03-0EP	.BRACKET, TILLER HANDLE (BLACK)	1	
11	63210-93E30	.GRIP	1	
12	63220-96302	.ROD, HANDLE	1	
13	63223-92D00	.STOPPER, HANDLE ROD	1	
14	63225-93200	.BUSH, HANDLE ROD	1	
15	63227-93200	.PIN, HANDLE ROD	1	
16	63240-97E20	.ADJUSTER SET, HANDLE GRIP	1	
17	09140-05005	.NUT	1	
18	09160-05029	.WASHER (5.5X12X0.8)	1	
19	63241-92D00	.SUPPORT, HANDLE ROD	1	
20	63610-92L00	.CABLE ASSY, THROTTLE	2	
21	63625-96300	.GROMMET, THROTTLE CABLE	1	
22	63627-94400	.GUIDE, THROTTLE CABLE	1	
23	09100-10155	.BOLT (10X50)	2	
24	09125-05046	.SCREW (5X12)	2	
25	09126-06015	.SCREW (6X23)	1	
26	09159-10050	.NUT	1	
27	09160-10082	.WASHER (10.5X19X2)	2	
28	09162-10005	.LOCK WASHER	2	
29	09163-06001	.LOCK WASHER	1	
30	09204-01002	.PIN	1	
31	29404-93J20	.CLAMP, THROTTLE CABLE	1	
32	09440-12027	.SPRING	1	
33	33816-96300	.CLAMP, CABLE	1	

FIG.570A

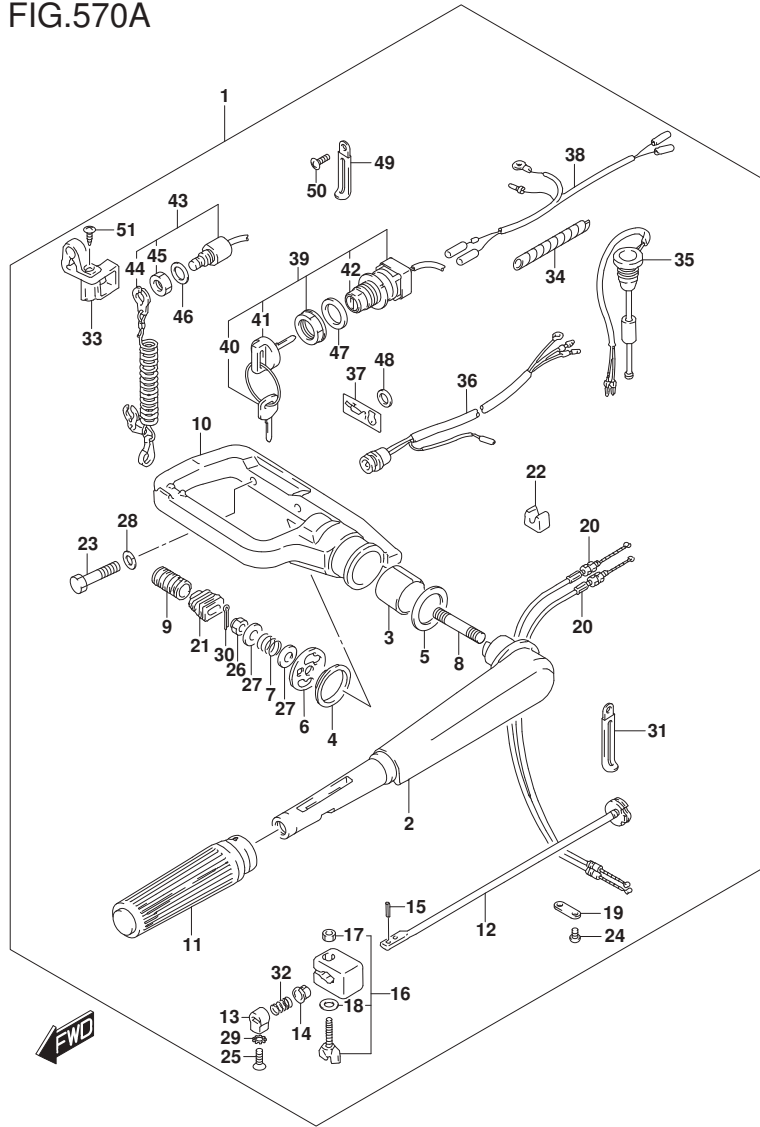


FIG.570A (2-B-8) OPT:TILLER HANDLE (DT40WR P40)

REF NO.	PART NO.	DESCRIPTION	Q'TY	REMARKS
34	33833-91J00	.TUBE, EMERGENCY SWITCH LEAD	1	
35	34860-94402	.SENSOR ASSY, OIL LEVEL	1	
36	36360-94400	.LAMP ASSY, OIL WARNING	1	
37	36367-95D10-064	.LABEL, OIL (WHITE)	1	
38	36893-94410	.WIRE ASSY, IGNITION SW EXT	1	
39	37110-94471	.SWITCH ASSY, IGNITION	1	
40-1	37141-99E00	..KEY (931)	1	
40-2	37141-99E10	..KEY (932)	1	
40-3	37141-99E20	..KEY (933)	1	
40-4	37141-99E30	..KEY (934)	1	
40-5	37141-99E40	..KEY (935)	1	
40-6	37141-99E50	..KEY (936)	1	
40-7	37141-99E60	..KEY (937)	1	
40-8	37141-99E70	..KEY (938)	1	
40-9	37141-99E80	..KEY (939)	1	
40-10	37141-99E90	..KEY (940)	1	
40-11	37141-99EA0	..KEY (941)	1	
40-12	37141-99EB0	..KEY (942)	1	
41	37143-99E00	..CAP, KEY	1	
42	37149-93J00	..CAP, CYLINDER BODY	1	
43	37820-92E04	.SWITCH ASSY, EMERGENCY	1	
44	37823-92E01	..PLATE	1	
45	37826-92J00	..NUT	1	
46	09160-12067	.WASHER (12.5X23X1)	1	
47	09160-25069	.WASHER (25X40X1.1)	1	
48	09320-11004	.CUSHION	1	
49	29404-93J10	.CLAMP, IGNITION SWITCH LEAD	1	
50	02142-06127	.SCREW	1	
51	03241-0625A	.SCREW	1	

FIG.570B

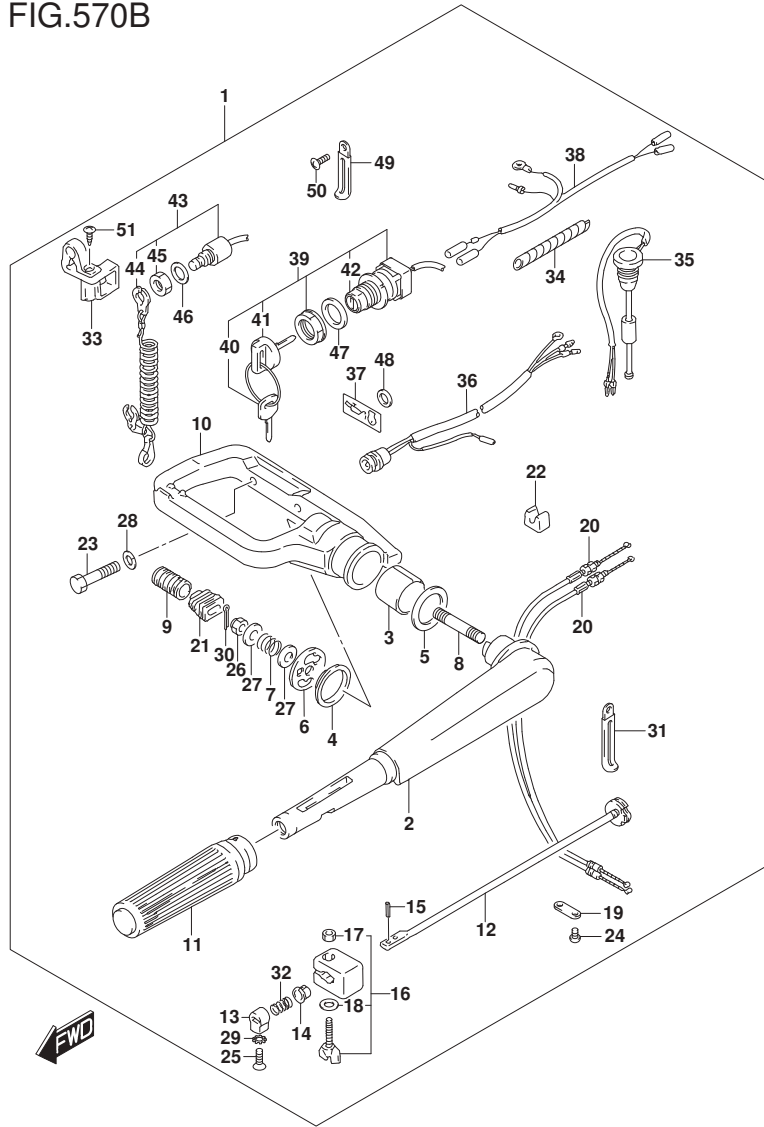


FIG.570B (2-B-9) OPT:TILLER HANDLE (DT40WR P90)

REF NO.	PART NO.	DESCRIPTION	Q'TY	REMARKS
1	63001-97E08-0EP	HANDLE ASSY, TILLER (BLACK)	1	
2	63111-97E05-0EP	.HANDLE, TILLER (BLACK)	1	
3	63115-97E00	.BUSH, TILLER HANDLE	1	
4	63116-97E00	.WASHER, TILLER HANDLE NO.1	1	
5	63117-97E01	.WASHER, TILLER HANDLE NO.2	1	
6	63125-97E01	.PLATE, TILLER HANDLE	1	
7	63126-97E01	.SPRING, HANDLE STUD	1	
8	09108-10137	.STUD BOLT	1	
9	63128-97E00	.COVER, HANDLE NUT	1	
10	63131-97E03-0EP	.BRACKET, TILLER HANDLE (BLACK)	1	
11	63210-93E30	.GRIP	1	
12	63220-96302	.ROD, HANDLE	1	
13	63223-92D00	.STOPPER, HANDLE ROD	1	
14	63225-93200	.BUSH, HANDLE ROD	1	
15	63227-93200	.PIN, HANDLE ROD	1	
16	63240-97E20	.ADJUSTER SET, HANDLE GRIP	1	
17	09140-05005	..NUT	1	
18	09160-05029	..WASHER (5.5X12X0.8)	1	
19	63241-92D00	.SUPPORT, HANDLE ROD	1	
20	63610-92L00	.CABLE ASSY, THROTTLE	2	
21	63625-96300	.GROMMET, THROTTLE CABLE	1	
22	63627-94400	.GUIDE, THROTTLE CABLE	1	
23	09100-10155	.BOLT (10X50)	2	
24	09125-05046	.SCREW (5X12)	2	
25	09126-06015	.SCREW (6X23)	1	
26	09159-10050	.NUT	1	
27	09160-10082	.WASHER (10.5X19X2)	2	
28	09162-10005	.LOCK WASHER	2	
29	09163-06001	.LOCK WASHER	1	
30	09204-01002	.PIN	1	
31	29404-93J20	.CLAMP, THROTTLE CABLE	1	
32	09440-12027	.SPRING	1	
33	33816-96300	.CLAMP, CABLE	1	

FIG.570B

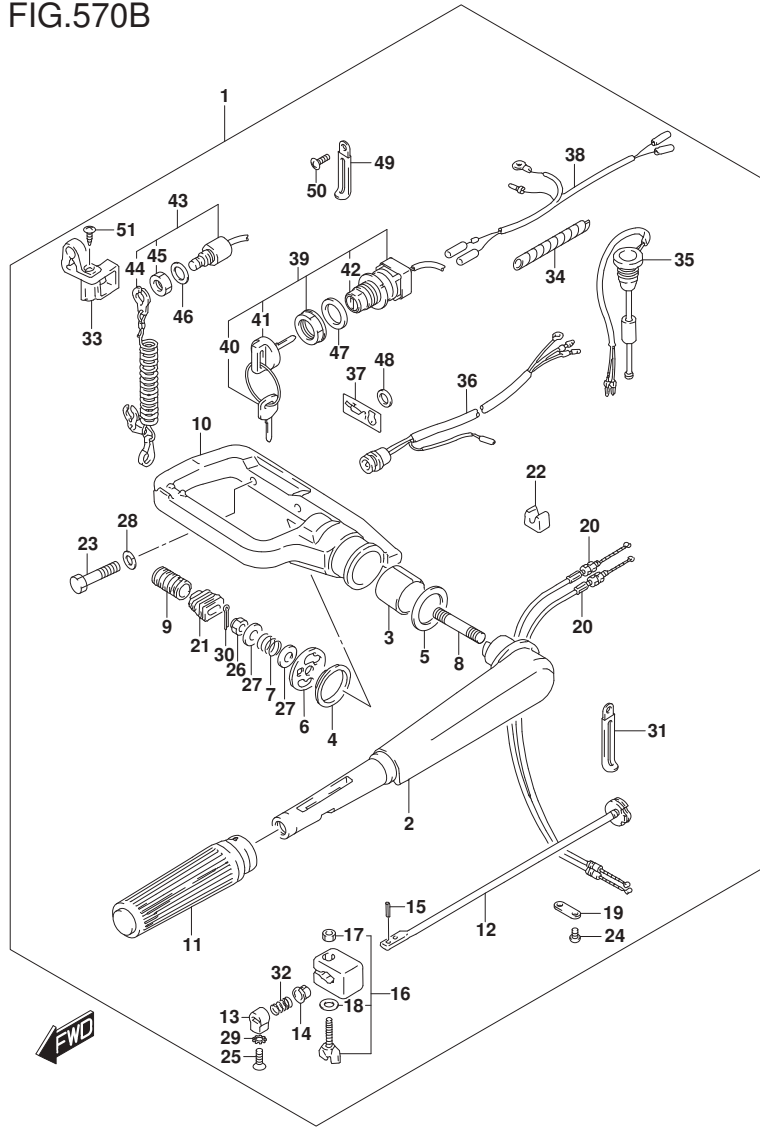


FIG.570B (2-B-10) OPT:TILLER HANDLE (DT40WR P90)

REF NO.	PART NO.	DESCRIPTION	Q'TY	REMARKS
34	33833-91J00	.TUBE, EMERGENCY SWITCH LEAD	1	
35	34860-94402	.SENSOR ASSY, OIL LEVEL	1	
36	36360-94400	.LAMP ASSY, OIL WARNING	1	
37	36367-95D10-064	.LABEL, OIL (WHITE)	1	
38	36893-94410	.WIRE ASSY, IGNITION SW EXT	1	
39	37110-94471	.SWITCH ASSY, IGNITION	1	
40-1	37141-99E00	..KEY (931)	1	
40-2	37141-99E10	..KEY (932)	1	
40-3	37141-99E20	..KEY (933)	1	
40-4	37141-99E30	..KEY (934)	1	
40-5	37141-99E40	..KEY (935)	1	
40-6	37141-99E50	..KEY (936)	1	
40-7	37141-99E60	..KEY (937)	1	
40-8	37141-99E70	..KEY (938)	1	
40-9	37141-99E80	..KEY (939)	1	
40-10	37141-99E90	..KEY (940)	1	
40-11	37141-99EA0	..KEY (941)	1	
40-12	37141-99EB0	..KEY (942)	1	
41	37143-99E00	..CAP, KEY	1	
42	37149-93J00	..CAP, CYLINDER BODY	1	
43	37820-92E04	.SWITCH ASSY, EMERGENCY	1	
44	37823-92E01	..PLATE	1	
45	37826-92J00	..NUT	1	
46	09160-12067	.WASHER (12.5X23X1)	1	
47	09160-25069	.WASHER (25X40X1.1)	1	
48	09320-11004	.CUSHION	1	
49	29404-93J10	.CLAMP, IGNITION SWITCH LEAD	1	
50	02142-06127	.SCREW	1	
51	03241-0625A	.SCREW	1	

PART NO.	FIG.NO.-REF.NO.	PART NO.	FIG.NO.-REF.NO.	PART NO.	FIG.NO.-REF.NO.	
10000		11431-92L00	141A-2 141B-2 141C-2 141D-2 141E-2	12200-92L30	116A-7 116B-7 116C-7 116D-7 116E-7	
	11111-92L20	112A-3 112B-3 112C-3 112D-3	11433-92L00	141A-1 141B-1 141C-1 141D-1	12211-94410	116A-11 116B-11 116C-11 116D-11
	11111-92L30 11141-94450	112E-3 112A-4 112B-4 112C-4 112D-4 112E-4	11434-92L00	141A-3 141B-3 141C-3 141D-3 141E-3	12221-92L20	116A-12 116B-12 116C-12 116D-12 116E-12
	11161-92L10	112A-1 112B-1 112C-1 112D-1 112E-1	11435-94400	405A-7 405B-7 405C-7 405D-7 405E-7	12231-92L20	116A-14 116B-14 116C-14 116D-14 116E-14
	11162-92L00	112A-2 112B-2 112C-2 112D-2 112E-2	12100-94400-050	116A-24 116B-24 116C-24 116D-24 116E-24	12232-92L20	116A-13 116B-13 116C-13 116D-13 116E-13
11281-94400	112A-19 112B-19 112C-19 112D-19 112E-19	12110-92L20-0B0 12110-94400	116E-1 116A-1 116B-1 116C-1 116D-1	12240-92L20	116A-15 116B-15 116C-15 116D-15 116E-15	
11291-94402	112A-7 112B-7 112C-7 112D-7 112E-7	12140-94400	116A-2 116B-2 116C-2 116D-2	13111-92L00	125A-3 125B-3 125C-3 125D-3	
11300-92L30	112A-9 112B-9 112C-9 112D-9 112E-9	12140-94400-050	116A-25 116B-25 116C-25 116D-25 116E-25	13111-94450-0EP 13125-95210	125E-3 125A-4 125B-4 125C-4 125D-4 125E-4	
11411-92L10	130A-1 130B-1 130C-1 130D-1 130E-1	12151-94400	116A-3 116B-3 116C-3 116D-3 116E-3	13126-94450 13150-92L00	128E-34 125A-6 125B-6 125C-6 125D-6	
11413-94411	130A-2 130B-2 130C-2 130D-2 130E-2	12161-94400	116A-8 116B-8 116C-8 116D-8 116E-8	13152-92L00	125E-6 125A-8 125B-8 125C-8 125D-8	

PART NO.	FIG.NO.-REF.NO.	PART NO.	FIG.NO.-REF.NO.	PART NO.	FIG.NO.-REF.NO.
13153-92L00	125E-8 125A-7 125B-7 125C-7 125D-7 125E-7				
		13269-98100 13270-94350 13271-93311	128C-4 128D-4 128E-30 128E-22 128A-3 128B-3		128D-21 128E-35 128E-5 128E-7 125A-16 125B-16
13200-944D0 13200-944J0	128E-1 128A-1 128B-1 128C-1 128D-1				
		13282-94350 13370-27310 13370-94350 13370-97E20	128E-23 128E-25 128E-17 128A-10 128B-10 128C-10 128D-10		125C-16 125D-16 125E-16 125A-17 125B-17 125C-17 125D-17 125E-17
13235-94400	128B-6 128E-32 128E-33 128E-10 128A-16 128B-16 128C-16 128D-16				
		13392-58600	128A-20 128B-20 128C-20 128D-20 128E-18 128E-14 13418-94360 13419-94400 13426-95211		125A-18 125B-18 125C-18 125D-18 125E-18 128A-24 128B-24 128C-24 128D-24 128E-38
13249-93900 13250-93012	128E-6 128A-7 128B-7 128C-7 128D-7				
		13441-94350 13443-94350 13446-94360 13450-94350 13462-94351 13464-96350	128E-19 128E-4 128E-31 128E-19 128E-28 128A-12 128B-12 128C-12 128D-12 128E-29		125B-13 125C-13 125D-13 125E-13 125A-14 125B-14 125C-14 125D-14 125E-14
13251-95220	128B-8 128C-8 128D-8 128A-9 128B-9 128C-9 128D-9 128E-27				
		13254-98300	128E-8 128A-5 128B-5 128C-5 128D-5 128A-19 128B-19 128C-19 128D-19		125A-12 125B-12 125C-12 125D-12 125E-12
13254-98410 13265-94360 13267-93900	128E-24 128E-16 128A-5				
		13521-78100 13534-96300 13580-94400	128E-21 128E-8 128A-13 128B-13 128C-13 128D-13 128A-11 128B-11 128C-11 128D-11		125D-12 125E-12 141A-4-2 141B-4-2 141C-4-2 141D-4-2 141E-4-2
13268-96111	128B-5 128C-5 128D-5 128A-19 128B-19 128C-19 128D-19	13613-94300	128B-13 128C-13 128D-13 128A-11 128B-11 128C-11 128D-11		141A-4-1 141B-4-1 141C-4-1 141D-4-1 141E-4-1
13269-95210	128E-9 128A-4 128B-4	13631-93501	128A-21 128B-21 128C-21		141A-5
				14212-94413	

PART NO.	FIG.NO.-REF.NO.	PART NO.	FIG.NO.-REF.NO.	PART NO.	FIG.NO.-REF.NO.
15100-94311	141B-5	15413-87D10	146A-8	17461-96312	160A-9
	141C-5		146B-8		160B-9
	141D-5		146C-8		160C-9
	141E-5		146D-8		160D-9
	146A-1		146E-12		160E-9
15100-94460	146B-1	15430-87D10	146A-9	17471-92L00	160A-10
	146C-1		146B-9		160B-10
	146D-1		146C-9		160C-10
	146E-1		146D-9		160D-10
	146A-2		146E-11		160E-10
15170-94320	146B-2	15851-94300	146A-5	17472-96303	160A-11
	146C-2		146B-5		160B-11
	146D-2		146C-5		160C-11
	146E-2		146D-5		160D-11
	146A-3		10AA-1		160E-11
15183-94301	146B-3	17400-92810	10AB-1	17561-92L50	160A-2-1
	146C-3		10AC-1		160B-2-1
	146D-3		10AD-1		160D-2-1
	146A-4		10AA-2		160E-2-1
	146B-4		10AB-2		160A-2-2
15186-94300	146C-4	17400-94412	10AC-2	17561-92L60	160B-2-2
	146D-4		10AD-2		160C-2-1
	146E-17		160A-19		160D-2-2
	146A-10		160B-19		160E-2-2
	146B-10		160C-19		160A-2-3
15211-91J00-050	146C-10	17410-92L00	160D-19	17561-92L70	160B-2-3
	146D-10		160A-3		160C-2-2
	146A-11		160B-3		160D-2-3
	146B-11		160C-3		160E-2-3
	146C-11		160D-3		160A-16
15211-91J00-110	146D-11	17431-92L00	160E-3	17563-94400	160B-16
	146E-18		160A-1-3		160C-16
	146A-12		160B-1-3		160D-16
	146B-12		160C-1-2		160E-16
	146C-12		160D-1-3		160A-17
15251-94450	146D-12	17431-92L10	160E-1-3	17565-94400	160B-17
	146E-3		160A-1-1		160C-17
	146E-4		160B-1-1		160D-17
	146E-21		160D-1-1		160E-17
	146A-6		160E-1-1		160A-18
15321-96300	146B-6	17431-92L20	160A-1-2	17566-94400	160B-18
	146C-6		160B-1-2		160C-18
	146D-6		160C-1-1		160D-18
	146E-25		160D-1-2		160E-18
	146E-20		160E-1-2		160A-18
15410-94350	146A-7	17432-96300	160A-15	17631-91L00	407A-4
	146B-7		160B-15		407A-6
	146C-7		160C-15		407A-26
	146D-7		160D-15		112A-18
	146E-10		160E-15		112B-18
					112C-18

PART NO.	FIG.NO.-REF.NO.	PART NO.	FIG.NO.-REF.NO.	PART NO.	FIG.NO.-REF.NO.
17670-94402	112D-18	19654-94421	166C-8	21131-96010	420A-6
	112E-18		166D-8		420B-6
	112A-17		166A-5		420C-6
	112B-17		166B-5		420D-6
	112C-17		166C-5		420E-6
17681-92L10	112D-17	19811-94400	166D-5	22511-99011	336A-1
	112E-17		166E-6		336B-1
	10AA-3		166A-9		336C-1
	10AB-3		166B-9		336D-1
	10AC-3		166C-9		336E-1
17685-94410	10AD-3	19815-94400	166D-9	23111-92L00	201A-1
	112A-16		166E-7		201B-1
	112B-16		166A-10		201C-1
	112C-16		166B-10		201D-1
	112D-16		166C-10		201E-1
18100-92L10	112E-16	19851-94401	166D-10	23131-92L00	201A-12
	167A-1		166E-8		201B-12
	18120-96320		166A-6		201C-12
	18130-91L00		167A-3		201D-12
	18132-89L00		167A-7		201E-12
18142-96300	167A-4	19861-92L00	166D-6	23211-94401	201A-21
	18151-96310		167A-8		166E-9
	18210-93002		167A-5		166A-7
	18280-96320		167A-6		166B-7
	18290-92L00		167A-9		166C-7
18711-92L10	167A-10	19121-94400	166D-7	23213-94400	201E-21
	18721-92L10		167A-11		166E-10
	166A-1		166A-1		201A-7
	166B-1		166B-1		201B-7
	166C-1		166C-1		201C-7
19131-95502	166D-1	20000	166D-1	23311-95J00	201D-7
	166E-1		166E-1		201E-7
	166A-2		166A-2		201A-10
	166B-2		166B-2		201B-10
	166C-2		166C-2		201C-10
21110-94402	166D-2	21110-94402	201A-13	25111-92L50	201D-10
	166E-2		201B-13		201E-10
	166B-3		201C-13		201A-2-1
	166A-3		201D-13		201B-2-1
	166B-3		201E-13		201B-2-2
21121-92L00	166C-3	21121-92L00	201A-16	25111-92L60	201A-2-2
	166D-3		201B-16		201B-2-2
	166E-4		201C-16		201C-2-1
	166E-5		201D-16		201D-2-2
	166A-4		201E-16		201E-2-2
19136-94451	166B-4	21121-93300	201A-22	25111-92L70	201A-2-3
	166C-4		201B-22		201B-2-3
	166D-4		201C-22		201C-2-2
	166A-8		201D-22		201D-2-3
	166B-8		201E-22		201E-2-3
19522-94400	166B-8	25211-92L00	201A-3	25211-92L00	201A-3

PART NO.	FIG.NO.-REF.NO.	PART NO.	FIG.NO.-REF.NO.	PART NO.	FIG.NO.-REF.NO.
25212-94401	201B-3	29141-93J20	513B-8	31100-94401	301A-1
	201C-3		513C-8	301B-1	
	201D-3		513D-8	301C-1	
	201E-3		513E-8	301D-1	
25223-94400	201A-4	29162-93J00	335A-22	31101-94402-0EP	561A-1
	201B-4		335B-22	561B-1	
	201C-4		335C-23	31131-96300	301A-7
	201D-4		335D-23	301B-7	
25232-96302	201E-4	29162-93J10	335E-22	31132-96300	301C-7
	201A-19		160A-5		301D-7
	201B-19		160B-5		301A-8
	201C-19		160C-5		301B-8
25311-94402	201D-19	29404-93J10	160D-5	31135-89J00	301C-8
	201E-19		160E-5		301D-8
	201A-25		335A-17		301A-9
	201B-25		335B-17		301B-9
25700-88L00	201C-25	29404-93J10	335C-17	31173-89J00	301C-9
	201D-25		335D-17		301D-9
	201E-25		335E-17		301A-6
	201A-9		146A-14		301B-6
29125-93J00	201B-9	29404-93J10	146B-14	31281-93340	301C-6
	201C-9		146C-14		301D-6
	201D-9		146D-14		301A-10
	201E-9		146E-13		301B-10
29125-93J10	407A-27	29404-93J10	308A-3	31310-96300	301C-10
	554A-17		308B-3		301D-10
	554B-17		308C-3		301A-2
	335A-28		308D-3		301B-2
29141-93J00	335B-28	29404-93J20	308E-3	31312-96300	301C-2
	335C-29		309A-5		301D-2
	335D-29		309B-5		301A-4
	335E-28		319A-11		301B-4
29141-93J00	405A-18	29440-93J00	319B-11	31320-94400	301C-4
	405B-18		319E-1		301D-4
	405C-18		554A-6		301A-3
	405D-18		554B-6		301B-3
29141-93J00	405E-18	29440-93J00	570A-49	31360-96300	301C-3
	160A-4		570B-49		301D-3
	160B-4		570A-31		301A-5
	160C-4		570B-31		301B-5
29141-93J00	160D-4	29440-93J00	336A-27	31800-94401	301C-5
	160E-4		336B-27		301D-5
	201A-11		336C-30		308A-21
	201B-11		336D-30		308B-21
29141-93J00	201C-11	29141-93J00	336E-27	31911-92L00	308C-21
	201D-11		308D-21		
	201E-11		130A-4		
	454A-5		130B-4		
29141-93J00	454B-5	29141-93J00	130C-4	30000	130C-4
	513A-8		130D-4		130D-4

PART NO.	FIG.NO.-REF.NO.	PART NO.	FIG.NO.-REF.NO.	PART NO.	FIG.NO.-REF.NO.
31912-92L00	301A-13	32801-94402	553A-8	33816-96300	412D-25
31918-94401	301B-13	32890-94401	553B-8		319A-9
	301C-13		553C-8		319B-9
	301D-13		308A-13		570A-33
	301A-14		308B-13	570B-33	
32101-92L10	301B-14	32891-94401	308C-13	33833-91J00	308A-4
	301C-14		308D-13		308A-28
	301D-14		308A-19		308B-4
	303A-1-2		308B-19		308B-28
32101-94430	303B-1-2	32900-92L20	308C-19	32900-92L30	308C-4
	303E-1		308D-19		308D-4
	303A-1-1		308A-1		308E-4
	303B-1-1		308B-1		308E-17
32102-92L00	303C-1	32916-92L10	308C-1	32916-92L30	309A-12
	303D-1		308D-1		309B-12
	303A-16-1		308E-1		309E-5
	303B-16-1		308A-27		570A-34
32102-92L30	303C-16	32919-92L00	308B-27	32919-92L30	570B-34
	303D-16		308C-27		501A-5-1
	561A-3		308D-27		501B-5-1
	561B-3		308E-16		501C-5-1
32102-92L40	303A-16-2	32950-92L00	308A-24	32950-92L30	501D-5-1
	303B-16-2		308B-24		501A-5-2
	303E-16		308C-24		501B-5-2
	303A-2		308D-24		501C-5-2
32120-94420	303B-2	33410-92L10	308E-13	33410-92L30	501D-5-2
	303C-2		308A-8		501A-5-3
	303D-2		308B-8		501B-5-3
	303E-2		308C-8		501C-5-3
32140-94400	303A-5	33510-95520	308D-8	33510-95520	501D-5-3
	303B-5		308E-8		501A-5-4
	303C-5		308A-25		501B-5-4
	303D-5		308B-25		501C-5-4
32150-94410	303E-5	33810-94411	308C-25	33810-94411	501D-5-4
	303A-6		308D-25		501A-12
	303B-6		308E-14		501B-12
	303C-6		308A-6		501C-12
32500-95722	303D-6	33800-94433	308B-6	33800-94433	501D-12
	303E-6		308C-6		501A-10
	550A-3		308D-6		501B-10
	550B-3		308E-6		501C-10
32800-95D01	554A-3	33810-94411	561A-2	33810-94411	501D-10
	554B-3		561B-2		501A-7
	319A-1		319A-6		501B-7
	319B-1		319B-6		501C-7
32800-95D01	319C-1	33811-94400	319C-6	33811-94400	501D-7
	319D-1		319D-6		501A-13-1
	553A-9		412A-25		501B-13-1
	553B-9		412B-25		501C-13-1
553C-9	412C-25	412C-25	501D-13-1		

PART NO.	FIG.NO.-REF.NO.	PART NO.	FIG.NO.-REF.NO.	PART NO.	FIG.NO.-REF.NO.
34200-93J33	501A-13-2 501B-13-2 501C-13-2 501D-13-2	36615-96300	501A-9 501B-9 501C-9 501D-9	36894-95201	335A-27 335B-27 335C-28 335D-28
34300-93J01	501A-15-1 501B-15-1 501C-15-1 501D-15-1	36620-87D20	550A-1-1 550B-1-1 554A-1-1 554B-1-1		335E-27 405A-2 405B-2 405C-2
34300-93J12	501A-15-2 501B-15-2 501C-15-2 501D-15-2	36620-92E00	550A-6 550B-6 554A-7 554B-7		405D-2 405E-2 319A-19 319B-19
34310-92E00	501A-16 501B-16 501C-16 501D-16	36620-92E20	450A-2 450B-2 550A-1-2 550B-1-2	36895-94400	319C-17 319D-17 319E-4 319A-13
34360-92E00	501A-17 501B-17 501C-17 501D-17	36628-92E00	554A-1-2 554B-1-2 450A-3 450B-3	36899-92L00	319B-13 319E-3 550A-7 550B-7
34500-93J01	501A-3-1 501B-3-1 501C-3-1 501D-3-1	36630-92E00	508A-2 550A-8 550B-8 554A-14		553A-16 553B-16 553C-16 554A-8
34500-93J12	501A-3-2 501B-3-2 501C-3-2 501D-3-2	36631-94300	554B-14 550A-2 550B-2 554A-2	37110-94471	554B-8 309A-1 309B-1 570A-39
34600-93J01	501A-1-1 501B-1-1 501C-1-1 501D-1-1	36634-93910	554B-2 553A-4 553B-4 553C-4	37110-99E01	570B-39 450A-4 450B-4 553A-12
34600-93J12	501A-1-2 501B-1-2 501C-1-2 501D-1-2	36740-93901	319A-4 319B-4 319C-4 319D-4	37132-93700	553B-12 553C-12 309A-2-3 309B-2-3
34850-94610	554A-15 554B-15		561A-4 561B-4		450A-5-1 450B-5-1
34853-94700	554A-16 554B-16	36740-95253	553A-10 553B-10		570A-40-1 570B-40-1
34860-94402	570A-35 570B-35	36791-94504	553C-10 319C-10	37141-99E10	309A-2-4 309B-2-4
36360-94400	570A-36 570B-36	36893-94410	319D-10 570A-38		450A-5-2 450B-5-2
36367-95D10-064	570A-37 570B-37	36894-94401	570B-38 405A-17		570A-40-2 570B-40-2
36610-94411	309C-1 309D-1		405B-17 405C-17	37141-99E20	309A-2-5 309B-2-5
36612-94421	309C-2 309D-2		405D-17 405E-17		450A-5-3 450B-5-3

PART NO.	FIG.NO.-REF.NO.	PART NO.	FIG.NO.-REF.NO.	PART NO.	FIG.NO.-REF.NO.
	570A-40-3 570B-40-3	37141-99E80	309A-2-2 309B-2-2 450A-5-12 450B-5-12	37826-92J00	450A-10 450B-10 450A-45 450B-45
37141-99E30	309A-2-6 309B-2-6		450A-5-4 450B-5-4	37826-97J00	309A-9 309B-9
	570A-40-4 570B-40-4	37143-99E00	309A-3 309B-3 450A-6 450B-6	37830-92L02	309E-3 309A-7 309B-7 309E-1
37141-99E40	309A-2-7 309B-2-7		450A-5-5 450B-5-5	37830-95D03	508A-3
	450A-5-5 450B-5-5	37149-93J00	570A-41 309A-4 309B-4	37835-95D00	309A-13 309B-13 309E-6
37141-99E50	570B-40-5 309A-2-8 309B-2-8		450A-7 450B-7	37859-90J00	450A-49 450B-49
	450A-5-6 450B-5-6		570A-42 570B-42		508A-42 450A-50
37141-99E60	570A-40-6 309A-2-9 309B-2-9	37210-93J00	550A-9 550B-9	37864-94J10	450B-50 508A-29
	554A-18 554B-18		550A-10 550B-10		450A-12 450B-12
37141-99E70	570A-40-7 570B-40-7	37212-93J00	554A-19 554B-19	38500-92X50	554A-9 554B-9
	309A-2-10 309B-2-10		319A-15 319B-15	38501-95500	554A-9 554B-9
37141-99E80	450A-5-8 450B-5-8	37721-94404	554A-19 554B-19	38600-94400	309C-4 309D-4
	570A-40-8 570B-40-8		319A-15 319B-15		554A-11 554B-11
37141-99E90	309A-2-11 309B-2-11	37725-94302	319C-13 319D-13	39600-93910	553A-1 553B-1
	450A-5-9 450B-5-9		319A-16 319B-16		553C-1 553A-3
37820-92E04	309A-2-12 309B-2-12	37726-94402	319C-14 319D-14	39601-95D00	553B-3 553C-3
	570A-40-9 570B-40-9		319A-17 319B-17	39602-93900	553A-5 553B-5
37141-99EA0	309A-2-1 309B-2-1		319C-15 319D-15	39603-94400	553C-5 553A-6 553B-6
	450A-5-11 450B-5-11	37823-92E01	570A-43 570B-43		553C-6
37823-97J00	450A-5-11 570A-40-11 570B-40-11		450A-9 450B-9 508A-4	39669-94400	412A-28-1 412A-28-2 412B-28-1 412B-28-2 412C-28
			570A-44 570B-44		412D-28 412E-25

PART NO.	FIG.NO.-REF.NO.	PART NO.	FIG.NO.-REF.NO.	PART NO.	FIG.NO.-REF.NO.
40000			335D-6		336B-11
		41225-94400	335E-6		336C-11
			335A-26		336D-11
			335B-26		336E-11
			335C-27	45241-92L00	336A-12
	41111-92L10-0EP	335A-1	335D-27		336B-12
		335B-1	335E-26		336C-12
		335C-1	336A-10		336D-12
		335D-1	336B-10		336E-12
		335E-1	336C-10	45250-92L00	336A-13
41121-92L10-0EP	335A-2	336D-10		336B-13	
	335B-2	336E-10		336C-13	
	335C-2	335A-13	41311-92L00	336D-13	
	335D-2	335B-13		336E-13	
	335E-2	335C-13		336A-14	
41130-92L00	335A-9	335D-13	45255-93001	336B-14	
	335B-9	335E-13		336C-14	
	335C-9	336A-2		336D-14	
	335D-9	336B-2		336E-14	
	335E-9	336C-2	45255-95500	336A-33	
41141-94301	335A-29	336D-2		336B-28	
	335B-29	336E-2		336C-41	
	335C-30	336A-3	43211-87JL0	336C-36	
	335D-30	336B-3		336D-31	
	335E-29	336C-3		336D-44	
41151-94500	335A-7	336D-3		336E-33	
	335B-7	336E-3	45261-92L00	336A-15	
	335C-7	336A-23		336B-15	
	335D-7	336B-23		336C-15	
	335E-7	336C-26		336D-15	
41161-94400	335C-20	336D-26		336E-15	
	335D-20	336E-23	45331-94610	336A-37	
41200-92L00	335A-19	336A-24		336B-45	
	335B-19	336B-24		336C-40	
	335C-19	336C-27		336D-48	
	335D-19	336D-27		336E-37	
	335E-19	336E-24	45420-92L00	335A-11	
41211-94302	335A-5	336A-4		335B-11	
	335B-5	336B-4		335C-11	
	335C-5	336C-4		335D-11	
	335D-5	336D-4		335E-11	
	335E-5	336E-4	45700-92L00	336A-28	
41212-91L00-0EP	335A-3	336A-5		336B-36	
	335B-3	336B-5		336C-31	
	335C-3	336C-5		336D-39	
	335D-3	336D-5		336E-28	
	335E-3	336E-5	45713-92L00	336A-29	
41213-94J01	335A-6	336C-23		336B-29	
	335B-6	336D-23		336B-37	
	335C-6	336A-11		336C-32	

PART NO.	FIG.NO.-REF.NO.	PART NO.	FIG.NO.-REF.NO.	PART NO.	FIG.NO.-REF.NO.
	336D-32		405B-8		220B-1-1
	336D-40		405C-8		220D-1-1
	336E-29		405D-8		220E-1-1
			405E-8	57110-92L70	220A-1-2
		54160-92L00	405A-12-2		220B-1-2
			405B-12-2		220C-1-1
			405C-12-2		220D-1-2
			405D-12-2		220E-1-2
			405E-12-2	57130-94301	220A-2
		54160-94410	405A-12-1		220B-2
			405B-12-1		220C-2
52110-92L30-0EP	405A-6-1		405C-12-1		220D-2
	405B-6-1		405D-12-1		220E-2
	405D-6-1		405E-12-1	57133-88L01	220A-6
	405E-6-1				220A-7
		54165-94400	405A-6-3		220B-6
52110-92L40-0EP	405A-6-3		405B-6-3		220C-6
	405B-6-3		405C-6-2		220D-6
	405C-6-2		405D-6-3		220E-6
	405D-6-3		405E-6-3	57133-92L00	220A-7
	405E-6-3		405A-9		220B-7
52110-92L50-0EP	405A-6-2	54211-92L00-0EP	405B-9		220C-7
	405B-6-2		405C-9		220D-7
	405C-6-1		405D-9		220E-7
	405D-6-2		405E-9	57311-94402	220A-8
	405E-6-2		405A-10		220B-8
54121-94401	141A-7	54221-92L10-0EP	405B-10		220C-8
	141B-7		405C-10		220D-8
	141C-7		405D-10		220E-8
	141D-7		405E-10	57510-94402	220A-11
	141E-7		407A-1		220B-11
54125-94400	141A-8	55100-92L20-0EP	407A-8		220C-11
	141B-8	55122-88L00	407A-9		220D-11
	141C-8	55125-92L00	407A-25		220E-11
	141D-8	55181-95200	407A-24	57521-94401	220A-21
	141E-8	55300-95500	220A-24		220B-21
54130-92L00	141A-12	56120-92L10-0EP	220B-24		220C-21
	141B-12		220C-24		220D-21
	141C-12		220D-24		220E-21
	141D-12		220E-24	57610-92L10	220A-19
	141E-12		160A-12		220B-19
54137-92L10	141A-9	56130-92L20-0EP	160B-12		220C-19
	141B-9		160C-12		220D-19
	141C-9		160D-12		220E-19
	141D-9		160E-12	57621-92L10	220A-15
	141E-9		220A-1-3		220B-15
54146-94400	141A-10	57110-92L50	220B-1-3		220C-15
	141B-10		220C-1-2		220D-15
	141C-10		220D-1-3		220E-15
	141D-10		220E-1-3	57630-92L00	407A-17
	141E-10		220A-1-1	57631-95303	220A-13
54151-99E00	405A-8	57110-92L60			

PART NO.	FIG.NO.-REF.NO.	PART NO.	FIG.NO.-REF.NO.	PART NO.	FIG.NO.-REF.NO.
	220B-13	61138-944L0	412A-23		412D-16
	220C-13		412B-23		412E-16
	220D-13		412C-23	61622-95500	420A-3
	220E-13		412D-23		420B-3
57632-92L00	407A-16		412E-23		420C-3
57633-94300	407A-18	61155-94400	412A-22		420D-3
57634-88L00	220A-14		412B-22		420E-3
	220B-14		412C-22	61642-90L00	412A-17
	220C-14		412D-22		412B-17
	220D-14		412E-22		412C-17
	220E-14	61400-92L01-0EP	420A-1		412D-17
58100-88L13-019	407A-22-1		420B-1		412E-17
58100-88L23-019	407A-22-2		420C-1	63001-97E08-0EP	570A-1
58100-88L52-019	407A-22-5		420D-1		570B-1
58100-88L62-019	407A-22-6		420E-1	63111-92L00-0EP	444A-2
58100-88LA0-019	407A-22-3	61431-92L00-0EP	420A-2		444B-2
58100-88LB0-019	407A-22-4		420B-2		444C-2
58120-88L01	407A-23		420C-2	63111-97E05-0EP	570A-2
59412-91J00	146E-26		420D-2		570B-2
59800-90L01	420A-11		420E-2	63115-97E00	444A-3
	420B-11	61435-92L00	420A-5		444B-3
	420C-11		420B-5		444C-3
	420D-11		420C-5		570A-3
	420E-11		420D-5		570B-3
			420E-5	63116-97E00	444A-4
		61443-91L00	420A-9		444B-4
			420B-9		444C-4
			420C-9		570A-4
			420D-9		570B-4
			420E-9	63117-97E01	444A-5
61111-92L10-0EP	412A-1	61449-93921	420E-12		444B-5
	412B-1	61453-91L00	420A-10		444C-5
	412C-1		420B-10		570A-5
	412D-1		420C-10		570B-5
	412E-1		420D-10	63125-97E01	444A-6
61112-94412	412A-2		420E-10		444B-6
	412B-2	61458-89L00	420A-7		444C-6
	412C-2		420B-7		570A-6
	412D-2		420C-7		570B-6
	412E-2		420D-7	63126-97E01	444A-7
61113-92L00	412A-3		420E-7		444B-7
	412B-3	61472-94J00	167A-20		444C-7
	412C-3	61610-90L00	412A-15		570A-7
	412D-3		412B-15		570B-7
	412E-3		412C-15	63128-97E00	444A-8
61131-92L00-RB4	412A-4		412D-15		444B-8
	412B-4		412E-15		444C-8
	412C-4	61616-93EL0	412A-16		570A-9
	412D-4		412B-16		570B-9
	412E-4		412C-16	63131-92L10-0EP	444A-9

PART NO.	FIG.NO.-REF.NO.	PART NO.	FIG.NO.-REF.NO.	PART NO.	FIG.NO.-REF.NO.
	444B-9	63625-94300	412C-29	65740-99100	432F-7
	444C-9		412D-29	65750-955L0	432A-9
63131-97E03-0EP	570A-10	63625-96300	444A-21		432B-9
	570B-10		444B-21		432C-9
63210-93E30	444A-10		444C-21		432D-9
	444B-10		570A-21		432E-9
	444C-10	63627-94400	570B-21		432F-9
	570A-11		444A-22	65750-98505	432F-14
	570B-11		444B-22		432A-10
63215-93401	444A-32		444C-22		432B-10
	444B-32		570A-22		432C-10
63215-93450	444C-32		570B-22		432D-10
63220-91L00	444A-11	65000-95D01	432A-1		432E-10
	444B-11		432B-1		432F-10
	444C-11		432C-1		432A-11
63220-96302	570A-12		432D-1	65770-87DL0	432A-11
	570B-12		432E-1		432B-11
63223-89E00	444C-12	65000-99100	432F-1		432C-11
63223-92D00	444A-12	65318-93910	432E-20		432D-11
	444B-12	65520-95D01	432A-2		432F-15
	570A-13		432B-2		65770-99J01
	570B-13		432C-2		432E-11
63225-93200	444A-13		432D-2		432E-15
	444B-13		432E-2	65781-98500	432A-12
	444C-13	65520-99100	432F-2		432B-12
	570A-14	65561-95D00	432A-3		432C-12
	570B-14		432B-3		432D-12
63225-94J00	444A-18		432C-3		432E-12
	444B-18		432D-3		432E-16
	444C-18		432E-3		432F-12
63227-93200	570A-15		432F-3		432F-16
	570B-15	65700-87DL0	432A-8	65830-95500	432E-17
63240-94J10	444A-15		432B-8		432F-17
	444B-15		432C-8	65831-95D00	432A-5
	444C-15		432D-8		432B-5
63240-97E20	570A-16		432F-13		432C-5
	570B-16		432E-13		432D-5
63241-92D00	570A-19		432F-8		432E-5
	570B-19		432E-8		432F-4
63241-986B0	444A-16		65720-955L0	65842-94401	432E-18
	444B-16		146E-14		432F-18
	444C-16		146E-5		
	444C-16		432A-13	65890-95D00	432A-6
63244-94J00	444A-17		432B-13		432B-6
	444B-17		432C-13		432C-6
	444C-17		432D-13		432D-6
63610-92L00	444A-20	65740-95D01	432A-4		432E-6
	444B-20		432B-4	65890-99100	432F-5
	444C-20		432C-4	65892-95D00	432A-7
	570A-20		432D-4		432B-7
	570B-20		432E-4		432C-7

PART NO.	FIG.NO.-REF.NO.	PART NO.	FIG.NO.-REF.NO.	PART NO.	FIG.NO.-REF.NO.
67130-94812	432D-7	67252-95600	508A-15	67296-90J00	513B-15
	432E-7		450A-25		513C-10
	432F-6		450B-25		513D-10
	513A-1		508A-16		513E-15
67140-95600	513B-1	67253-95600	450A-26	450A-40	450A-40
	513C-1	67255-99E10	450B-26	450B-40	450B-40
	513D-1		508A-17	508A-32	
	513E-1		450A-27	450A-41	
513A-14	450B-27		450B-41		
67200-91J20	513B-14	67256-95600	508A-18	67296-94300	508A-33
	513C-9		450A-28		450A-33
	513D-9		450B-28		450B-33
	513E-14		508A-19		508A-24
67200-97E50	508A-1	67257-99E10	450A-29	67296-95600	450A-42
	450A-1		450B-29		450B-42
	450B-1		508A-20		508A-34
	450A-13		450A-30		450A-43
67212-95600	450B-13	67258-99E00	450B-30	67296-95610	450B-43
	508A-5		508A-21		508A-35
	450A-14		450A-31		513A-16
	450B-14		450B-31		513B-16
67220-95620	450A-15	67261-99E10	508A-22	67297-95600	513C-11
	450B-15		450A-32		513D-11
	67220-95630		450B-32		513E-16
	67223-99E10		508A-23		450A-44
67229-95600	450B-16	67264-95600	450A-34	67320-93J00	450B-44
	508A-7		450B-34		508A-36
	450A-17		508A-25		513A-17-1
	450B-17		450A-35		513B-17-1
67232-95600	508A-8	67267-93J00	450B-35	67320-93J10	513C-12-1
	450A-18		508A-26		513D-12-1
	450B-18		450A-36		513E-17-1
	508A-9		450B-36		513A-17-2
67238-87D00	450A-19	67273-95600	508A-27	67320-93J30	513B-17-2
	450B-19		450A-37		513C-12-2
	508A-10		450B-37		513D-12-2
	450A-20		508A-28		513E-17-2
67241-99E10	450B-20	67282-94L00	450A-51	67320-93J20	513A-17-3
	508A-11		450B-51		513B-17-3
	450A-21		508A-43		513C-12-3
	450B-21		450A-52		513D-12-3
67243-95600	508A-12	67284-94L00	450B-52	67320-93J30	513E-17-3
	450A-22		508A-44		513A-17-4
	450B-22		450A-38		513B-17-4
	508A-13		450B-38		513C-12-4
67244-95600	450A-23	67292-94300	508A-30	67320-93J40	513D-12-4
	450B-23		450A-39		513E-17-4
	508A-14		450B-39		513A-17-5
	450A-24		508A-31		513B-17-5
67251-99E20	450B-24	67294-95600	513A-15	67320-93J40	513C-12-5

PART NO.	FIG.NO.-REF.NO.	PART NO.	FIG.NO.-REF.NO.	PART NO.	FIG.NO.-REF.NO.
67320-93J50	513D-12-5	67701-94430	442A-1	67721-94310	442A-2
	513E-17-5		442B-1		442B-2
	513A-17-6		513A-9		513A-10
	513B-17-6		513B-9		513B-10
67320-93J60	513C-12-6	67725-99E10	442A-3	67726-99E00	442A-4
	513D-12-6		442B-3		442B-4
	513E-17-6		513A-11		513A-12
	513A-17-7		513B-11		513B-12
67320-93J70	513B-17-7	67728-99E00	513E-10	68110-87L00	420A-12
	513C-12-7		442A-5		420B-12
	513D-12-7		442B-5		420C-12
	513E-17-7		513A-13		420D-12
67320-93J80	513A-17-8	67331-94400	513B-13	68111-91L00	420E-13
	513B-17-8		513E-13		420A-8
	513C-12-8		513B-13		420B-8
	513D-12-8		513E-13		420C-8
67341-94400	513E-17-8	67466-95200	420A-12	69711-93E10	167A-17
	513B-17-9		454A-1		167A-18
	513C-12-9		454B-1		420A-14
	513D-12-9		513A-2		420B-14
67320-93J90	513E-17-9	67467-94404	420A-12	69911-91J50	420C-14
	454A-1		513B-2		420D-14
	454B-1		513C-2		420E-15
	513A-2		513D-2		166A-16
67341-94400	513B-2	67467-94404	420A-12	69712-93E10	166B-14
	513C-2		454A-2		166B-16
	513D-2		454B-2		166C-14
	513E-2		513A-3		166C-14
67341-94400	454A-6	67467-94404	513B-3	69911-91J50	166D-14
	454B-6		513C-3		166D-16
	513A-3		513D-3		166E-14
	513B-3		513E-3		201A-17
67466-95200	513C-3	67466-95200	420D-8	69712-93E10	201B-17
	420E-8		454A-2		201C-17
	420A-8		454B-2		201D-17
	420B-8		513A-5		201E-17
67466-95200	420C-8	67466-95200	420E-8	69911-91J50	166A-15
	146D-15		513B-5		166A-16
	125E-5		513C-5		166B-16
	125D-5		513D-5		166B-16
67466-95200	125C-5	67466-95200	420E-13	69911-91J50	166A-16
	125B-5		513E-5		166B-14
	125A-5		454A-3		166B-16
	125E-3		454B-3		166C-14
67466-95200	125E-3	67466-95200	420A-8	69911-91J50	166C-14
	125E-3		420B-8		166D-14
	125E-3		420C-8		166D-16
	125E-3		420D-8		166E-14
67466-95200	125E-3	67466-95200	420E-8	69911-91J50	201A-17
	125E-3		167A-17		201B-17
	125E-3		167A-18		201C-17
	125E-3		420A-14		201D-17
67466-95200	125E-3	67466-95200	420B-14	69911-91J50	201E-17
	125E-3		420C-14		166A-14
	125E-3		420D-14		166A-16
	125E-3		420E-15		166B-16
67466-95200	125E-3	67466-95200	167A-17	69911-91J50	166B-16
	125E-3		167A-18		166C-14
	125E-3		420A-14		166D-14
	125E-3		420B-14		166D-16
67466-95200	125E-3	67466-95200	420C-14	69911-91J50	166E-14
	125E-3		420D-14		201A-8
	125E-3		420E-15		
	125E-3				

PART NO.	FIG.NO.-REF.NO.	PART NO.	FIG.NO.-REF.NO.	PART NO.	FIG.NO.-REF.NO.
	201B-8		125E-11		303B-14
	201C-8		146E-22		303C-14
	201D-8	01550-06407	112A-13		303D-14
	201E-8		112B-13		303E-14
	308A-2		112C-13	02112-04087	303A-12
	308A-9		112D-13		303B-12
	308A-18		112E-13		303C-12
	308B-2	01550-08257	130A-5		303D-12
	308B-9		130B-5		303E-12
	308B-18		130C-5	02112-05087	554A-10
	308C-2		130D-5		554B-10
	308C-9	01550-08357	112A-8	02112-05107	303A-7
	308C-18		112B-8		303A-10
	308D-2		112C-8		303B-7
	308D-9		112D-8		303B-10
	308D-18		112E-8		303C-7
	308E-2		167A-15		303C-10
	308E-9	01550-10557	112A-11		303D-7
	309A-10		112B-11		303D-10
	309B-10		112C-11		303E-7
01550-06167	309E-4		112D-11		303E-10
	319A-14	01560-06457	112E-11		554A-12
	319B-14		112A-14	02112-05167	554B-12
	319C-9		112B-14		128A-14
	319D-9		112C-14		128B-14
01550-06207	308A-26		112D-14		128C-14
	308B-26		112E-14		128D-14
	308C-26	01560-08757	112A-5	02112-06257	303A-3
	308D-26		112B-5		303B-3
	308E-15		112C-5		303C-3
01550-06257	167A-16		112D-5		303D-3
01550-06307	112A-6		112E-5		303E-3
	112A-21	01560-10657	112A-12	02112-0630B	501C-11
	112B-6		112B-12		501D-11
	112B-21		112C-12	02112-3306A	125A-9
	112C-6		112D-12		125B-9
	112C-21		112E-12		125C-9
	112D-6	01580-06167	319A-18		125D-9
	112D-21		319B-18		125E-9
	112E-6		319C-16	02112-35127	309C-5
	112E-21		319D-16		309D-5
	125A-1	01580-08257	130A-6	02122-06167	125A-10
	125A-11		130B-6		125B-10
	125B-1		130C-6		125C-10
	125B-11		130D-6		125D-10
	125C-1		301A-15		125E-10
	125C-11		301B-15	02142-05257	319A-2
	125D-1		301C-15		319B-2
	125D-11		301D-15		319C-2
	125E-1	02112-04067	303A-14		319D-2

PART NO.	FIG.NO.-REF.NO.	PART NO.	FIG.NO.-REF.NO.	PART NO.	FIG.NO.-REF.NO.
	553A-13		112E-10		146E-23
	553B-13	08211-20263	220A-12	08321-01047	303A-13
	553C-13		220B-12		303A-15
02142-05307	166A-15		220C-12		303B-13
	166B-15		220D-12		303B-15
	166C-15		220E-12		303C-13
	166D-15	08211-35451	220A-22-6		303C-15
02142-06127	309A-6		220B-22-6		303D-13
	309B-6		220C-22-6		303D-15
	319A-12		220D-22-6		303E-13
	319B-12		220E-22-6		303E-15
	319E-2	08221-35455	220A-22-1	08321-0105A	128A-15
	570A-50		220B-22-1		128B-15
	570B-50		220C-22-1		128C-15
02142-06167	319A-8		220D-22-1		128D-15
	319A-20		220E-22-1		303A-9
	319B-8	08221-35456	220A-22-4		303A-11
	319B-20		220B-22-4		303B-9
	319C-8		220C-22-4		303B-11
	319D-8		220D-22-4		303C-9
	319E-5		220E-22-4		303C-11
02162-06127	550A-4	08310-00057	319A-3		303D-9
	550B-4		319B-3		303D-11
	554A-4		319C-3		303E-9
	554B-4		319D-3		303E-11
03112-0630B	501A-11		553A-14		553A-15
	501B-11		553B-14		553B-15
03142-04309	407A-5		553C-14		553C-15
03212-0512B	308A-20	08310-00067	301A-11		554A-13
	308B-20		301B-11		554B-13
	308C-20		301C-11	08321-01067	301A-12
	308D-20		301D-11		301B-12
03222-0520B	125A-22		308A-22		301C-12
	125B-22		308B-22		301D-12
	125C-22		308C-22		303A-4
	125D-22		308D-22		303B-4
	125E-22		412A-21		303C-4
03241-0625A	319A-10		412B-21		303D-4
	319B-10		412C-21		303E-4
	570A-51		412D-21		308A-23
	570B-51		412E-21		308B-23
03542-06169	420A-4	08316-10087	125A-2		308C-23
	420B-4		125B-2		308D-23
	420C-4		125C-2		550A-5
	420D-4		125D-2		550B-5
	420E-4		125E-2		554A-5
04211-09109	112A-10		146A-16		554B-5
	112B-10		146B-16	08322-01057	303A-8
	112C-10		146C-16		303B-8
	112D-10		146D-16		303C-8

PART NO.	FIG.NO.-REF.NO.	PART NO.	FIG.NO.-REF.NO.	PART NO.	FIG.NO.-REF.NO.
08322-01067	303D-8	09108-06060	308B-14	09116-06228	412D-13
	303E-8		308C-14		412D-20
	319C-11		308D-14		412E-13
	319D-11		160A-6		412E-20
08331-3115A	201A-18	09108-06061	160B-6	09116-06232	141A-19
	201B-18		160C-6		141B-19
08341-31059	201C-18	09108-10137	160D-6	09116-06234	141C-19
	201D-18		160E-6		141D-19
	201E-18		160A-7		141E-19
	303A-18		160B-7		412A-5
	303B-18		160C-7		412B-5
	303C-18		160D-7		412C-5
09100-08232	303D-18	09111-10045	160E-7	09116-06237	412D-5
	303E-18		444A-1		412E-5
	450A-45		444B-1		141A-6
	450B-45		444C-1		141B-6
09100-08309	508A-38	09111-10067	570A-8	09116-08147	141C-6
	336A-25		570B-8		141D-6
	336B-25		336A-30		141E-6
09100-08311	336C-28	09111-10069	336B-38	09116-08151	513A-4
	336D-28		336C-33		513B-4
	336E-25		336D-41		513C-4
	335A-14		336E-30		513D-4
	335B-14		335A-20		513E-4
09100-10155	335C-14	09111-10069	335B-20	09116-08152	407A-10
	335D-14		335C-21		220A-28
	335E-14		335D-21		220B-28
	570A-23		335E-20		220C-28
09100-10316	570B-23	09111-10069	336B-30	09116-08153	220D-28
	336C-24		336D-33		220E-28
09100-10317	336D-24	09116-06223	335A-21	09116-08155	335A-8
	444A-23		335B-21		335B-8
09100-10321	444B-23	09116-06225	335C-22	09116-08155	335C-8
	444C-23		335D-22		335D-8
	141A-13		335E-21		335E-8
	141B-13		412A-14		405A-11
09100-12123	141C-13	09116-06227	412B-14	09117-06030	405B-11
	141D-13		412C-14		405C-11
	141E-13		412D-14		405D-11
	405A-19		412E-14		405E-11
	405B-19		336B-31		141A-21
	405C-19		336D-34		141B-21
09103-06048	405D-19	09116-06227	454A-7	09117-06030	141C-21
	405E-19		454B-7		141D-21
	166A-11		412A-13		141E-21
	166B-11		412A-20		407A-13
	166C-11		412B-13		336A-31
	166D-11		412B-20		336B-39
09103-06049	166E-11	09116-06227	412C-13	09117-06030	336C-34
	308A-14		412C-20		336D-42

PART NO.	FIG.NO.-REF.NO.	PART NO.	FIG.NO.-REF.NO.	PART NO.	FIG.NO.-REF.NO.
09118-08168	336E-31	09136-05041	130B-3	09148-06017	444B-19
	405A-5		130C-3		444C-19
	405B-5		130D-3		412A-9
	405C-5		130E-3		412B-9
09118-08171	405D-5	09138-05011	444A-24	09159-05042	412C-9
	405E-5		444B-24		412D-9
	405A-4		444C-24		412E-9
	405B-4		303A-17		412A-7
09118-08172	405C-4	09140-04007	303B-17	09159-10050	412B-7
	405D-4		303C-17		412C-7
	405E-4		303D-17		412D-7
	405A-3		303E-17		412E-7
09119-06047	405B-3	09140-05005	128A-23	09159-12014	141A-16
	405C-3		128B-23		141B-16
	405D-3		128C-23		141C-16
	405E-3		128D-23		141D-16
09125-05046	454A-4	09140-06020	128E-36	09159-22006	141E-16
	454B-4		166A-12		444A-26
	513A-7		166B-12		444B-26
	513B-7		166C-12		444C-26
09125-05129	513C-7	09140-08023-XC0	166D-12	09160-06066	412C-9
	513D-7		570A-17		412D-9
	513E-7		570B-17		412E-9
	407A-7		570C-17		412F-9
09125-06089	570A-24	09140-10032	450A-47	09160-06066	412A-8
	570B-24		450B-47		412B-8
	412A-6		508A-40		412C-8
	412B-6		335A-15		412D-8
09126-05003	412C-6	09140-12034	335B-15	09141-16008	412E-8
	412D-6		335C-15		412F-8
	412E-6		335D-15		570A-18
	125A-21		335E-15		570B-18
09126-06005	125B-21	09140-12038	146E-24	09148-06008	125A-19
	125C-21		432A-14		125B-19
	125D-21		432B-14		125C-19
	125E-21		432C-14		125D-19
09126-06015	450A-46	09140-18014	432D-14	09141-16008	125D-19
	450B-46		220A-9		407A-20
	508A-39		220B-9		444A-19
	112A-20		220C-9		444B-19
09126-06022	112B-20	09141-16008	220D-9	09148-06008	444C-19
	112C-20		220E-9		444D-19
	112D-20		146E-15		444E-19
	112E-20		303A-20		444F-19

PART NO.	FIG.NO.-REF.NO.	PART NO.	FIG.NO.-REF.NO.	PART NO.	FIG.NO.-REF.NO.
09160-06084	125E-19		335B-24		220E-20-1
	166A-13		335C-25	09160-22019	220A-20-2
	166B-13		335D-25		220B-20-2
	166C-13		335E-24		220C-20-2
	166D-13		444A-27		220D-20-2
	166E-13		444B-27		220E-20-2
	308A-10		444C-27	09160-22020	220A-20-3
	308A-15		570A-27		220B-20-3
	308B-10		570B-27		220C-20-3
	308B-15	09160-10148	141A-14		220D-20-3
	308C-10		141B-14		220E-20-3
	308C-15		141C-14	09160-22021	220A-20-4
	308D-10		141D-14		220B-20-4
	308D-15		141E-14		220C-20-4
	308E-10	09160-12007	308A-11		220D-20-4
09160-06104	412A-10		308A-16		220E-20-4
	412B-10		308B-11	09160-22022	220A-20-5
	412C-10		308B-16		220B-20-5
	412D-10		308C-11		220C-20-5
	412E-10		308C-16		220D-20-5
	450A-48		308D-11		220E-20-5
	450B-48		308D-16	09160-22023	220A-20-6
	508A-41		308E-11		220B-20-6
09160-08081	335A-16	09160-12066	405A-16		220C-20-6
	335B-16		405B-16		220D-20-6
	335C-16		405C-16		220E-20-6
	335D-16		405D-16	09160-22033	335A-10
	335E-16		405E-16		335B-10
09160-08091	336A-16	09160-12067	570A-46		335C-10
	336A-26		570B-46		335D-10
	336B-16	09160-12108	405A-20		335E-10
	336B-26		405B-20	09160-25069	309A-11
	336C-16		405C-20		309B-11
	336C-29		405D-20		570A-47
	336D-16		405E-20		570B-47
	336D-29	09160-13018	405A-14	09160-27008	116A-10
	336E-16		405B-14		116B-10
	336E-26		405C-14		116C-10
09160-08124	167A-14		405D-14		116D-10
	09160-10080		405E-14		116E-10
	141A-20	09160-16054	407A-19	09160-39001	336A-6
	141B-20	09160-18011	303A-19		336B-6
	141C-20		303B-19		336C-6
	141D-20		303C-19		336D-6
09160-10082	141E-20		303D-19		336E-6
	141A-15		303E-19	09161-04012	412A-18
	141B-15	09160-22018	220A-20-1		412B-18
	141C-15		220B-20-1		412C-18
	141D-15		220C-20-1		412D-18
	141E-15		220D-20-1		412E-18
	335A-24				

PART NO.	FIG.NO.-REF.NO.	PART NO.	FIG.NO.-REF.NO.	PART NO.	FIG.NO.-REF.NO.
09162-10005	335A-23		220C-10-3		220C-4-9
	335B-23		220D-10-3		220D-4-9
	335C-24		220E-10-3		220E-4-9
	335D-24	09181-30190	220A-10-4	09181-33009	220A-4-10
	335E-23		220B-10-4		220B-4-10
	336C-25		220C-10-4		220C-4-10
	336D-25		220D-10-4		220D-4-10
	444A-28		220E-10-4		220E-4-10
	444B-28	09181-30192	220A-10-5	09181-35101	220A-4-1
	444C-28		220B-10-5		220B-4-1
	570A-28		220C-10-5		220C-4-1
	570B-28		220D-10-5		220D-4-1
09163-06001	444A-29		220E-10-5		220E-4-1
	444B-29	09181-33001	220A-4-2	09181-35110	220A-4-11
	444C-29		220B-4-2		220B-4-11
	570A-29		220C-4-2		220C-4-11
	570B-29		220D-4-2		220D-4-11
09168-10022	10AA-4		220E-4-2		220E-4-11
	10AB-4	09181-33002	220A-4-3	09181-35131	220A-22-2
	10AC-4		220B-4-3		220B-22-2
	10AD-4		220C-4-3		220C-22-2
09169-20007	407A-12		220D-4-3		220D-22-2
	116A-6		220E-4-3		220E-22-2
	116B-6	09181-33003	220A-4-4	09181-35132	220A-22-3
	116C-6		220B-4-4		220B-22-3
	116D-6		220C-4-4		220C-22-3
	116E-6		220D-4-4		220D-22-3
09180-06254	125A-20		220E-4-4		220E-22-3
	125B-20	09181-33004	220A-4-5	09181-35136	220A-22-5
	125C-20		220B-4-5		220B-22-5
	125D-20		220C-4-5		220C-22-5
	125E-20		220D-4-5		220D-22-5
09180-06295	412A-11		220E-4-5		220E-22-5
	412B-11	09181-33005	220A-4-6	09181-39001	336A-7
	412C-11		220B-4-6		336B-7
	412D-11		220C-4-6		336C-7
	412E-11		220D-4-6		336D-7
09180-08169	167A-12		220E-4-6		336E-7
09181-30186	220A-10-1	09181-33006	220A-4-7	09200-05015	336A-17
	220B-10-1		220B-4-7		336B-17
	220C-10-1		220C-4-7		336C-17
	220D-10-1		220D-4-7		336D-17
	220E-10-1		220E-4-7		336E-17
09181-30187	220A-10-2	09181-33007	220A-4-8	09200-08043	336A-18
	220B-10-2		220B-4-8		336B-18
	220C-10-2		220C-4-8		336C-18
	220D-10-2		220D-4-8		336D-18
	220E-10-2		220E-4-8		336E-18
09181-30188	220A-10-3	09181-33008	220A-4-9	09202-05022	220A-16
	220B-10-3		220B-4-9		220B-16

PART NO.	FIG.NO.-REF.NO.	PART NO.	FIG.NO.-REF.NO.	PART NO.	FIG.NO.-REF.NO.
	220C-16		220D-3		220B-25
	220D-16		220E-3		220C-25
	220E-16	09205-03021	201A-5		220D-25
09202-06025	407A-15		201B-5		220E-25
09202-06027	407A-14		201C-5	09262-35L09	116A-17
09202-06031	405A-1		201D-5		116B-17
	405B-1		201E-5		116C-17
	405C-1	09205-03038	444A-14		116D-17
	405D-1		444B-14		116E-17
	405E-1		444C-14	09263-20072	116A-5
09202-07001	141A-11	09205-06011	112A-15		116B-5
	141B-11		112B-15		116C-5
	141C-11		112C-15		116D-5
	141D-11		112D-15		116E-5
	141E-11		112E-15	09263-22020	220A-26
09204-01002	336A-19	09205-06021	335A-4		220B-26
	336A-35		335B-4		220C-26
	336B-19		335C-4		220D-26
	336B-33		335D-4		220E-26
	336B-43		335E-4	09263-22039	407A-2
	336C-19	09205-08002	336A-36	09263-27008	116E-9
	336C-38		336B-34	09263-27L01	116A-9
	336D-19		336B-44		116B-9
	336D-36		336C-39		116C-9
	336D-46		336D-37		116D-9
	336E-19		336D-47	09264-35L01	116A-18
	336E-35		336E-36		116B-18
	444A-31	09248-10008	407A-11		116C-18
	444B-31	09250-09001	319C-12		116D-18
	444C-31		319D-12		116E-18
	570A-30	09250-12006	412A-27	09265-20015	160A-14
	570B-30		412B-27		160B-14
	10AA-5		412C-27		160C-14
	10AB-5		412D-27		160D-14
	10AC-5	09250-16008	412C-30		160E-14
	10AD-5		412D-30		220A-5
	407A-21	09250-33001	412A-29		220B-5
09205-02004	201A-23		412B-29		220C-5
	201B-23		412E-26		220D-5
	201C-23	09260-10005	201A-14		220E-5
	201D-23		201B-14	09265-30004	407A-3
	201E-23		201C-14	09280-08005	201A-20
09205-02013	201A-6		201D-14		201B-20
	201B-6		201E-14		201C-20
	201C-6	09262-30068	116A-16		201D-20
	201D-6		116B-16		201E-20
09205-03019	201E-6		116C-16	09280-11001	201A-24
	220A-3		116D-16		201B-24
	220B-3		116E-16		201C-24
	220C-3	09262-35070	220A-25		201D-24

PART NO.	FIG.NO.-REF.NO.	PART NO.	FIG.NO.-REF.NO.	PART NO.	FIG.NO.-REF.NO.
	201E-24		116E-19		412D-19
09280-50008	141A-17	09306-22006	336A-20		412E-19
	141B-17		336B-20	09390-72008	116A-22
	141C-17		336C-20		116B-22
	141D-17		336D-20		116C-22
	141E-17		336E-20		116D-22
09280-63001	125A-15	09320-04009	128A-22		116E-22
	125B-15		128B-22	09390-80002	116A-23
	125C-15		128C-22		116B-23
	125D-15		128D-22		116C-23
	125E-15		128E-37		116D-23
09280-75001	220A-23	09320-10035	412A-12		116E-23
	220B-23		412B-12	09401-08413	146A-13
	220C-23		412C-12		146B-13
	220D-23		412D-12		146C-13
	220E-23		412E-12		146D-13
09282-17009	141A-18	09320-11004	570A-48		146E-19
	141B-18		570B-48	09401-10412	146E-9
	141C-18	09320-12011	308A-12		432E-19
	141D-18		308A-17		432F-19
	141E-18		308B-12	09403-10312	303A-21
09282-17L01	160A-13		308B-17		303B-21
	160B-13		308C-12		303C-21
	160C-13		308C-17		303D-21
	160D-13		308D-12		303E-21
	160E-13		308D-17	09403-14204	319A-7
09282-39001	336A-8		308E-12		319B-7
	336B-8	09320-12059	167A-13		319C-7
	336C-8	09352-50903-600	412A-24		319D-7
	336D-8		412B-24	09407-10403	553A-7
	336E-8		412C-24		553B-7
09283-30062	116A-20		412D-24		553C-7
	116B-20		412E-24	09407-10404	308A-5
	116C-20	09352-70113-600	146E-16		308B-5
	116D-20	09355-50108-135	146E-7		308C-5
	116E-20	09355-50108-260	146E-8		308D-5
09283-35L01	116A-21	09355-50108-370	146E-6		308E-5
	116B-21	09380-38003	336A-9	09407-12402	309C-3
	116C-21		336B-9		309D-3
	116D-21		336C-9		450A-53
	116E-21		336D-9		450B-53
09289-22L01	220A-27		336E-9	09407-14407	501A-8
	220B-27	09381-20003	116A-4		501B-8
	220C-27		116B-4		501C-8
	220D-27		116C-4		501D-8
	220E-27		116D-4	09407-25402	412A-26
09289-45L01	116A-19		116E-4		412B-26
	116B-19	09385-04003	412A-19		412C-26
	116C-19		412B-19		412D-26
	116D-19		412C-19		553A-2

SUZUKI **DT40W** PARTS CATALOGUE

SUZUKI MOTOR CORPORATION All rights reserved

No part of this document may be reproduced or transmitted in any form or by any means, electronic or mechanical, for any purpose, without the express written permission of Suzuki Motor Corporation.

SUZUKI MOTOR CORPORATION

Technical Readiness Group, Quality Administration Department
300 Takatsuka, Minami, Hamamatsu, Japan

Reprint Prohibited

SUZUKI MOTOR CORPORATION