

SUZUKI
PARTS CATALOGUE

DF200/225/250

DF200T/Z

DF225T/Z

DF250T/Z



OUTBOARD MOTOR

E01/E40

2015-6

1ST EDITION

PREFACE

When it becomes necessary to replace parts on SUZUKI OUTBOARD MOTORS, always use SUZUKI GENUINE PARTS which have passed a strict inspection which guarantees quality and performance.

This parts catalogue covers the list of all service parts for SUZUKI DF200/225/250 production start 2015.

INSTRUCTIONS FOR QUOTING THE CATALOGUE

1. DIMENSIONS

Dimensions of the parts in this catalogue are indicated in unit millimeters.

2. ABBREVIATIONS

Abbreviations used in this catalogue are as follows:

AR	: As required	NT	: Number of teeth
ASSY	: Assembly	OPT	: Optional
E. NO.	: Engine number	OS	: Over size
F. NO.	: Frame number	STD	: Standard
D	: Diameter of material	T	: Thickness
ID	: Inside diameter	US	: Under size
OD	: Outside diameter	W	: Width
L	: Length	W/	: With
LH(PORT)	: Left hand side	L, X, XX	: Transom type
RH(STBD)	: Right hand side	SUS	: Stainless steel
~123456	: Up to E. NO. 25003F-123456	PTT	: Power trim and tilt
123456~	: From E. NO. 25003F-123456		

12 x 34 x 5.6..... Figures in the description column
 | | | show the dimensions of parts.
 ID OD T(or W, L)

→12345-56781 (Parts No.) : indicates that the parts number was changed to 12345-56781 and the new parts are interchangeable with the former ones but the former ones are not interchangeable with new ones.

←12345-56781 (Parts No.) : indicates that the former and new parts are interchangeable with each other and both are usable.

3. INNER PARTS OF ASSEMBLY

Part name with a dot (.) in front as shown in the description column indicates the component of the assembly also available individually.

4. MODIFICATION NOTICE

A parts bulletin will be sent to you on all occasions when changes in parts occur, including interchangeable modifications between new parts and old ones.

5. NOTE

5-1. There are some different parts from those of production models among spare parts for the administrative reasons and common use of them with other models.

5-2. In respect of rubber hoses and vinyl tubes, please be sure to use them by cutting off according to the length mentioned on parts catalogue or what is actually required on the vehicle.

5-3. Note that the drawings on the illustration page are for ready reference of spare parts number, not to be used as an assembly manual. When assembling, use "SUZUKI SERVICE MANUAL".

6. MODEL NAME AND ENGINE NUMBER

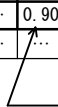
MODEL	DESTINATION	TYPE	TRANSOM	COLOR	ENGINE No.
DF200T	E01	20002F	L, X, XX	0EP, Y5S	20002F-610001~
DF200Z	E01	20002Z	X, XX	0EP, Y5S	20002Z-610001~
DF200T	E40	20002F	L, X	0EP, Y5S	20002F-610001~
DF200Z	E40	20002Z	X	0EP, Y5S	20002Z-610001~
DF225T	E01, E40	22503F	X, XX	0EP, Y5S	22503F-610001~
DF225Z	E01, E40	22503Z	X, XX	0EP, Y5S	22503Z-610001~
DF250T	E01, E40	25003F	X, XX	0EP, Y5S	25003F-610001~
DF250Z	E01, E40	25003Z	X, XX	0EP, Y5S	25003Z-610001~

MILLIMETER → INCH CONVERSION CHART

	0	1	2	3	4	5	6	7	8	9
00	.000	.039	.079	.118	.157	.197	.236	.276	.315	.354
10	.394	.433	.472	.512	.551	.591	.630	.669	.709	.748
20	.787	.827	.866	.906	.945	.984	1.024	1.063	1.102	1.142
30	1.181	1.220	1.260	1.299	1.339	1.378	1.417	1.457	1.496	1.535
40	1.575	1.614	1.654	1.693	1.732	1.772	1.811	1.850	1.890	1.929
50	1.969	2.008	2.047	2.087	2.126	2.165	2.205	2.214	2.283	2.323
60	2.362	2.402	2.441	2.480	2.520	2.559	2.598	2.638	2.677	2.717
70	2.756	2.795	2.835	2.874	2.913	2.953	2.992	3.031	3.071	3.110
80	3.150	3.189	3.228	3.268	3.307	3.346	3.386	3.425	3.465	3.504
90	3.543	3.583	3.622	3.661	3.701	3.740	3.780	3.819	3.858	3.898

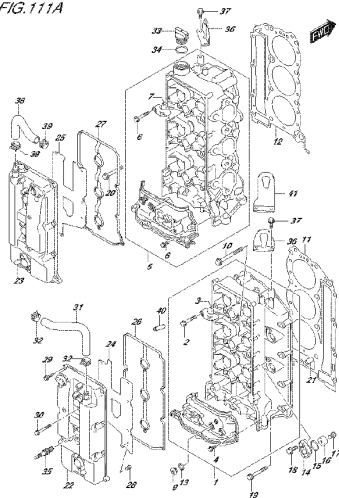
How to read

	0	1	2	3	4
00
10
20	0.906	...
30


 23 millimeters equal 0.906 inch

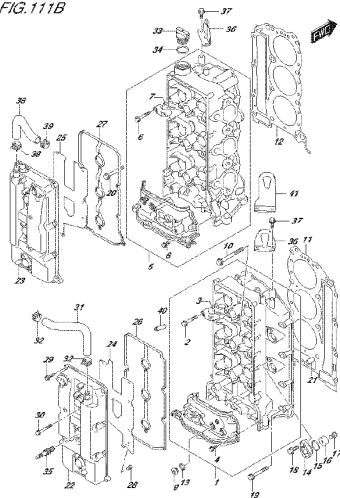
Contents are subject to change without notice or obligation.

FIG.111A



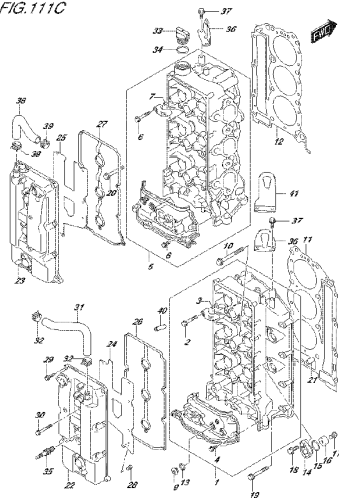
DF39L, EBL 016 111A
CYLINDERHEAD

FIG.111B



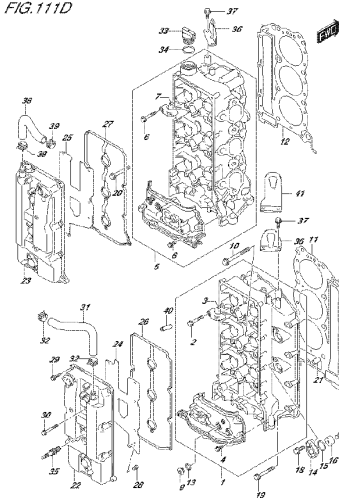
DF39L, EBL 016 111B
CYLINDERHEAD

FIG.111C



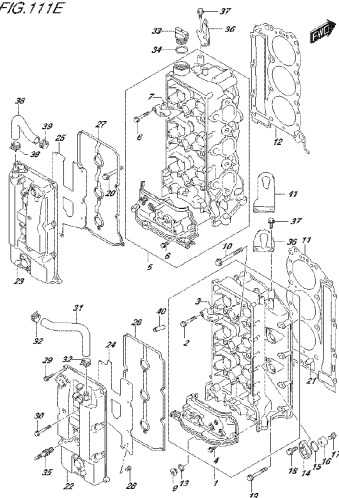
DF39L, EBL 016 111C
CYLINDERHEAD

FIG.111D



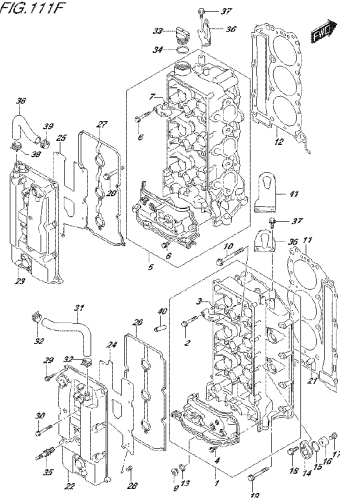
DF39L, EBL 016 111D
CYLINDERHEAD

FIG.111E



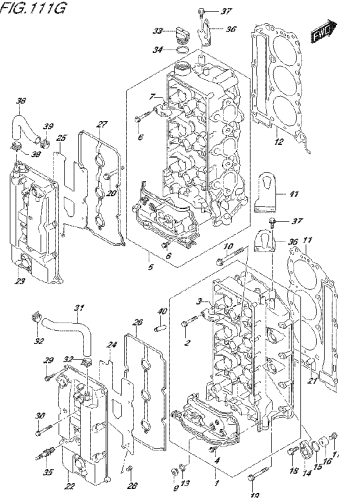
DF39L, EBL 016 111E
CYLINDERHEAD

FIG.111F



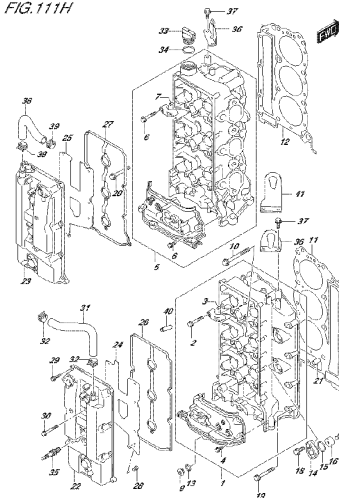
DF39L, EBL 016 111F
CYLINDERHEAD

FIG.111G



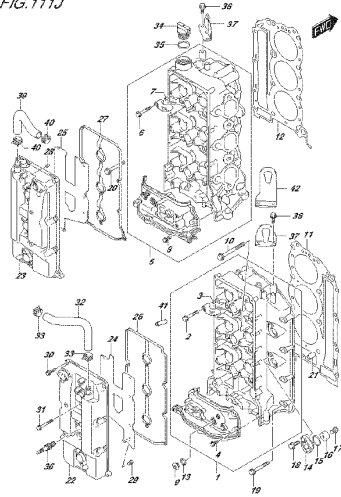
DF39L, EBL 016 111G
CYLINDERHEAD

FIG.111H



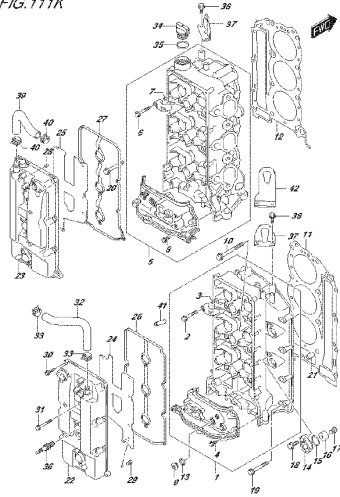
DF39L, EBL 016 111H
CYLINDERHEAD

FIG.111J



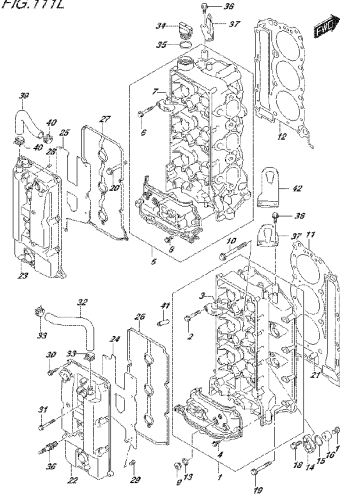
DF39L 016 111J
CYLINDERHEAD

FIG.111K



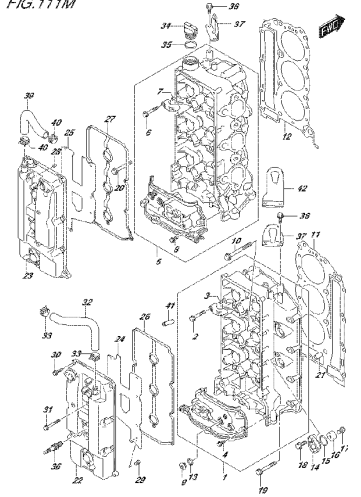
DF39L 016 111K
CYLINDERHEAD

FIG.111L



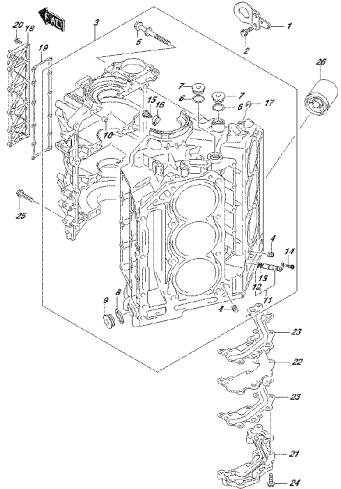
DF39L 016 111L
CYLINDERHEAD

FIG.111M



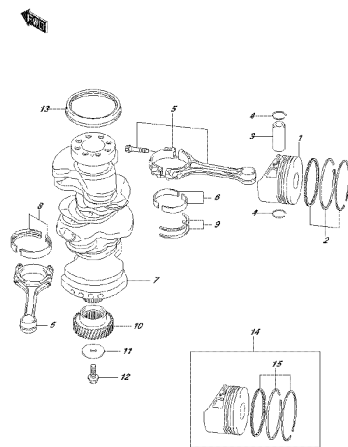
DF39L 016 111M
CYLINDERHEAD

FIG.113A



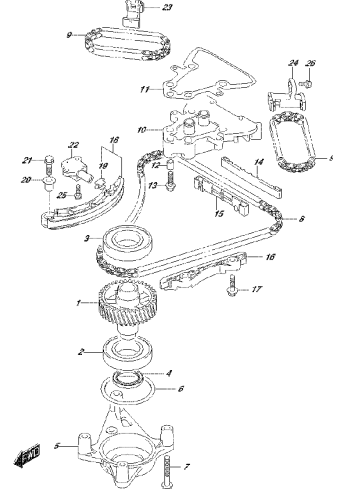
DF39L 016 113A
CYLINDERBLOCK

FIG.116A



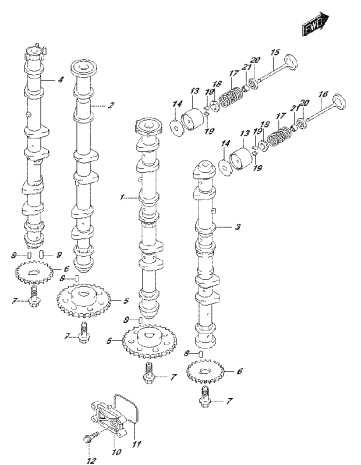
DF39L 016 116A
CRANKSHAFT

FIG.119A



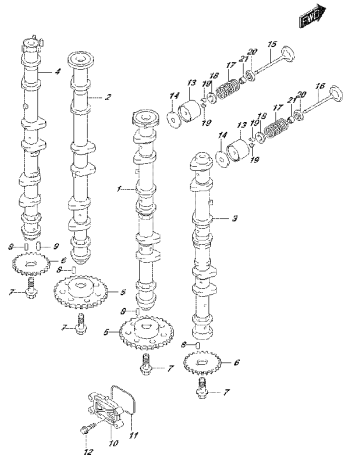
DF39L 016 119A
CRANKSHAFT

FIG.121A



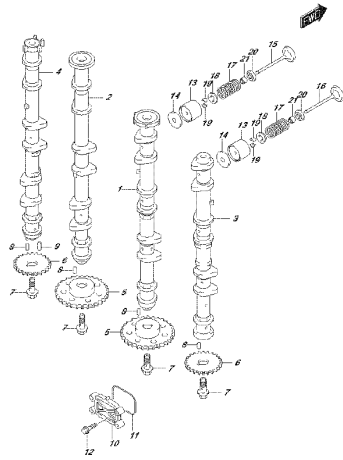
DF39L 016 121A
CRANKSHAFT

FIG.121B



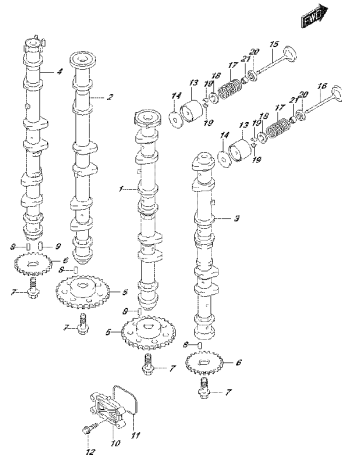
DFP30, ELL, 016, 121B
CARBORAFIT

FIG.121C



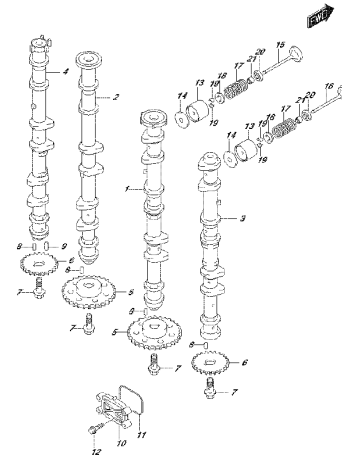
DFP30, ELL, 016, 121C
CARBORAFIT

FIG.121D



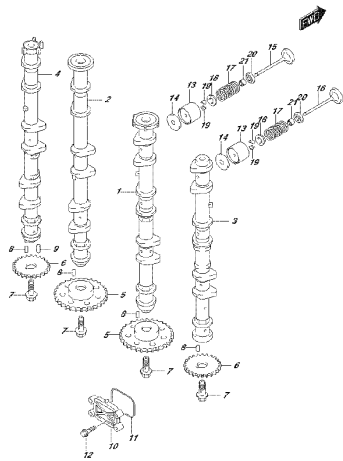
DFP30, ELL, 016, 121D
CARBORAFIT

FIG.121E



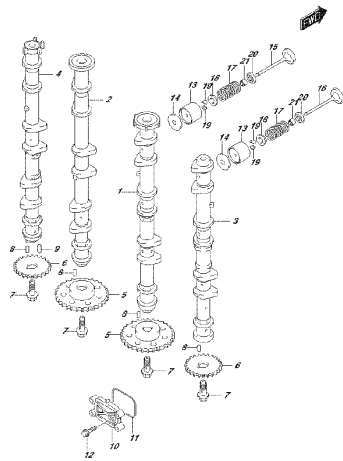
DFP30, ELL, 016, 121E
CARBORAFIT

FIG.121F



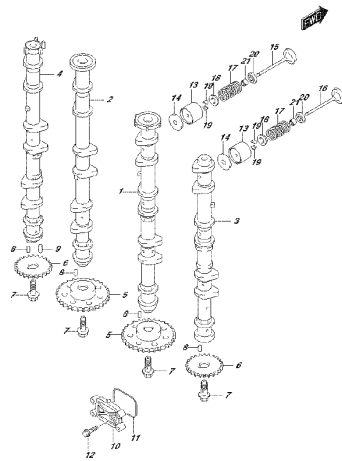
DFP30, ELL, 016, 121F
CARBORAFIT

FIG.121G



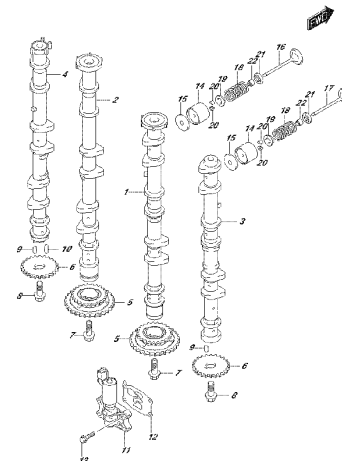
DFP30, ELL, 016, 121G
CARBORAFIT

FIG.121H



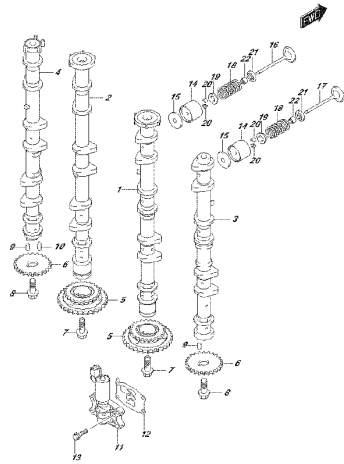
DFP30, ELL, 016, 121H
CARBORAFIT

FIG.121J



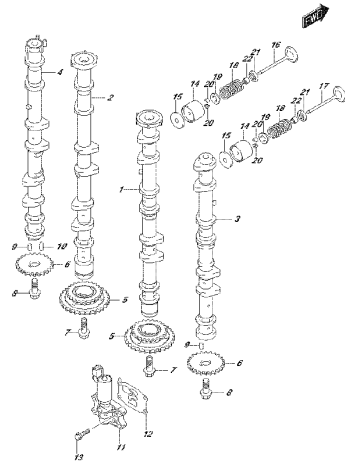
DFP30, ELL, 016, 121J
CARBORAFIT

FIG.121K



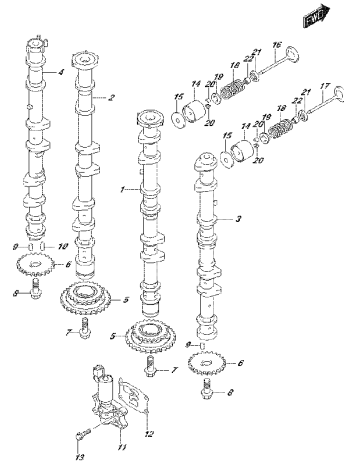
DF391.021.016.121K
CORONA/CF

FIG.121L



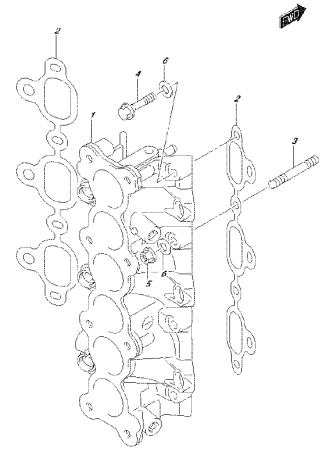
DF391.021.016.121L
CORONA/CF

FIG.121M



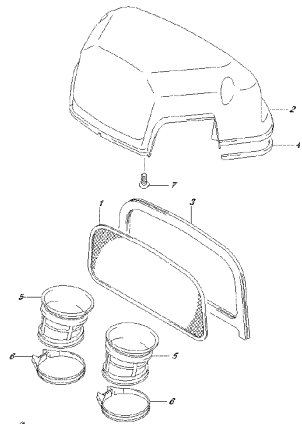
DF391.021.016.121M
CORONA/CF

FIG.122A



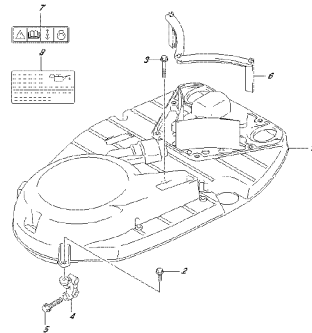
DF391.021.016.122A
PIRELLA/HSR/23

FIG.134A



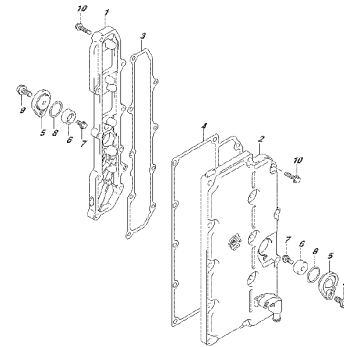
DF391.021.016.134A
SILVANO/CF

FIG.136A



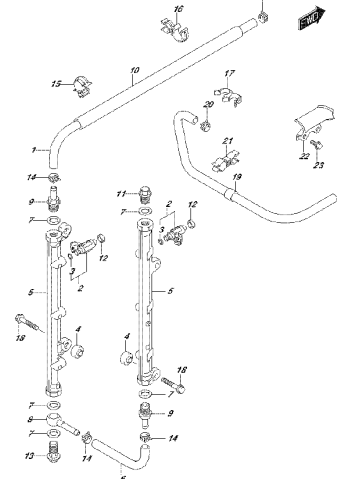
DF391.021.016.136A
PIRELLA/CF/CF/CF

FIG.140A



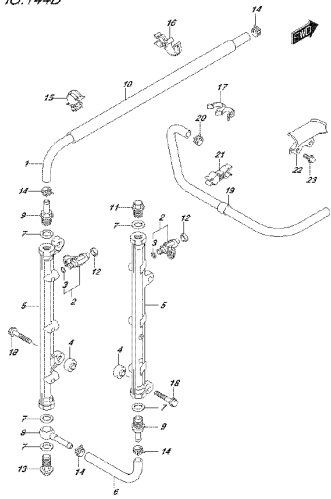
DF391.021.016.140A
PIRELLA/CF/CF

FIG.144A



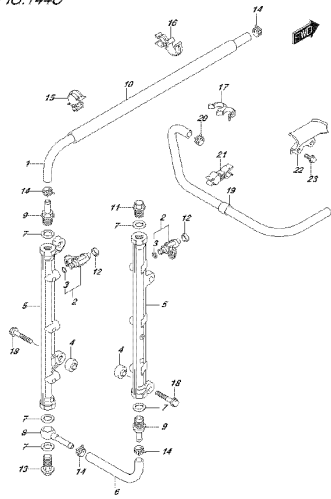
DF391.021.016.144A
FUCHS/PART/CF

FIG.144B



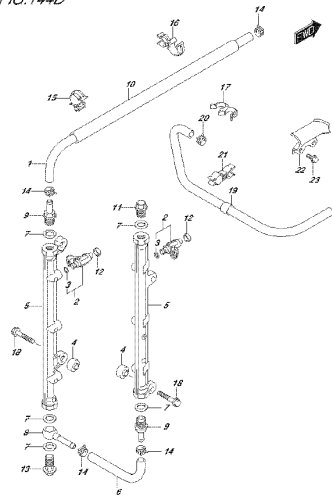
DP39L E2L1.016.144B
FUEL INJECTOR

FIG.144C



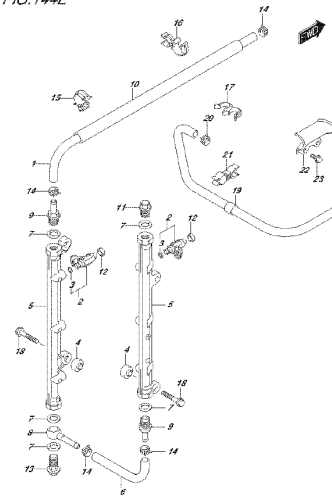
DP39L E2L1.016.144C
FUEL INJECTOR

FIG.144D



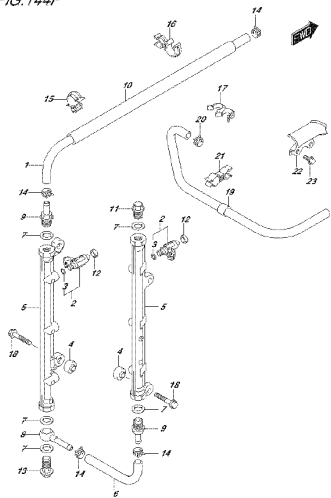
DP39L E2L1.016.144D
FUEL INJECTOR

FIG.144E



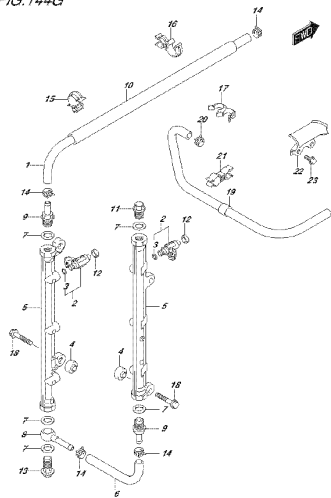
DP39L E2L1.016.144E
FUEL INJECTOR

FIG.144F



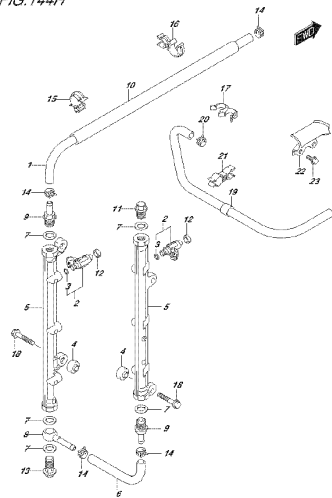
DP39L E2L1.016.144F
FUEL INJECTOR

FIG.144G



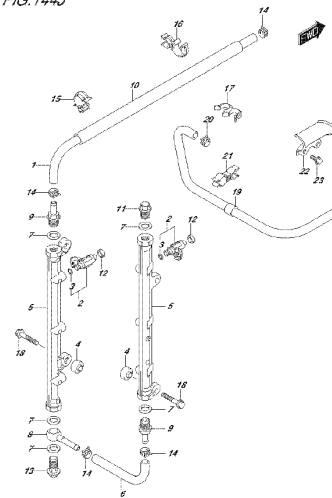
DP39L E2L1.016.144G
FUEL INJECTOR

FIG.144H



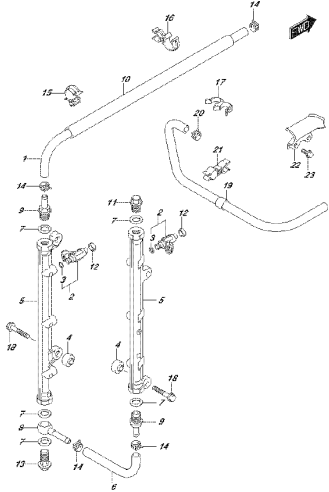
DP39L E2L1.016.144H
FUEL INJECTOR

FIG.144J



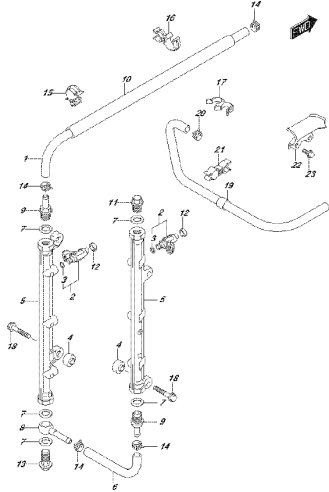
DP39L E2L1.016.144J
FUEL INJECTOR

FIG. 144K



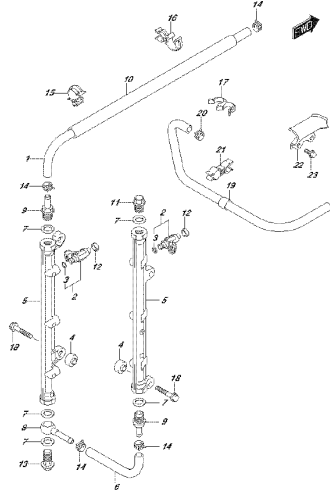
DPF30, EEL, 0,6, 144K
FUEL INJECTOR

FIG. 144L



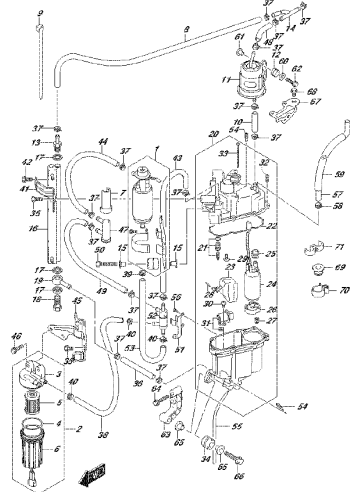
DPF30, EEL, 0,6, 144L
FUEL INJECTOR

FIG. 144M



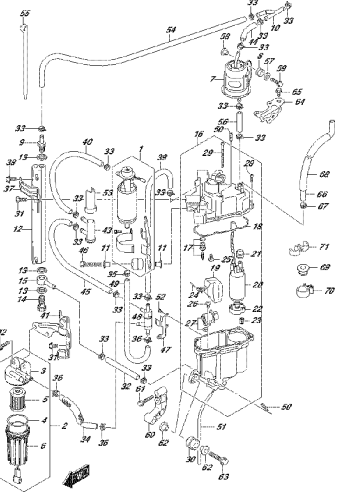
DPF30, EEL, 0,6, 144M
FUEL INJECTOR

FIG. 147A



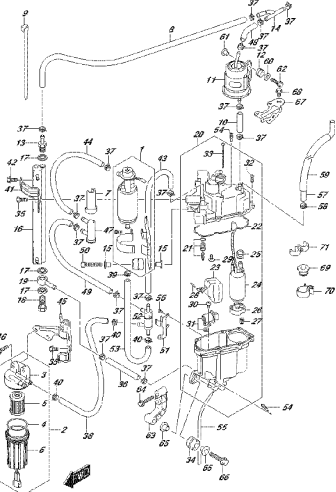
DPF30, EEL, 0,6, 147A
FUEL PUMP/REL. VAPOR SEPARATOR

FIG. 147B



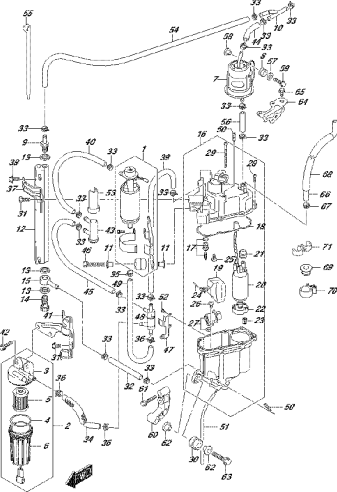
DPF30, EEL, 0,6, 147B
FUEL PUMP/REL. VAPOR SEPARATOR

FIG. 147C



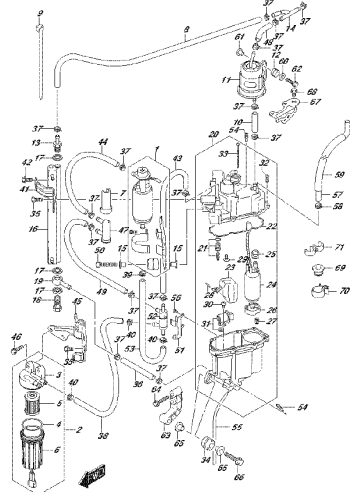
DPF30, EEL, 0,6, 147C
FUEL PUMP/REL. VAPOR SEPARATOR

FIG. 147D



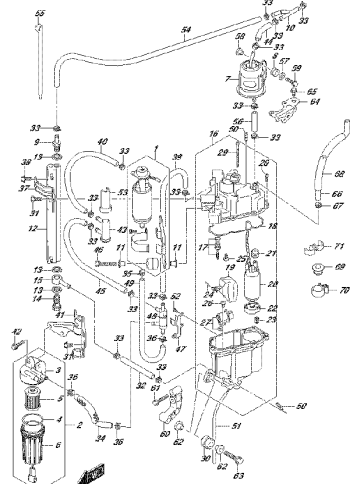
DPF30, EEL, 0,6, 147D
FUEL PUMP/REL. VAPOR SEPARATOR

FIG. 147E



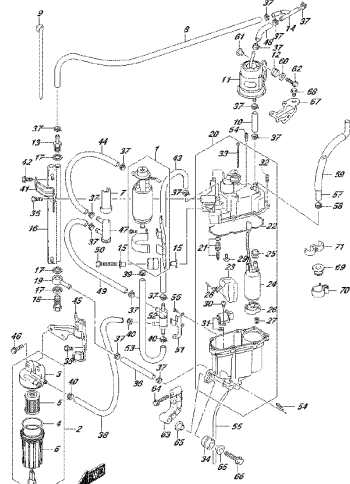
DPF30, EEL, 0,6, 147E
FUEL PUMP/REL. VAPOR SEPARATOR

FIG. 147F



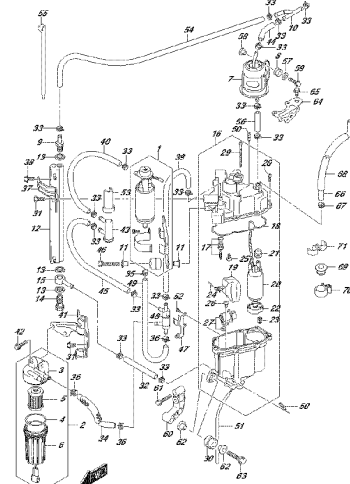
DEFIG. ELL. S.M. 147F
FLUID SEPARATOR

FIG. 147G



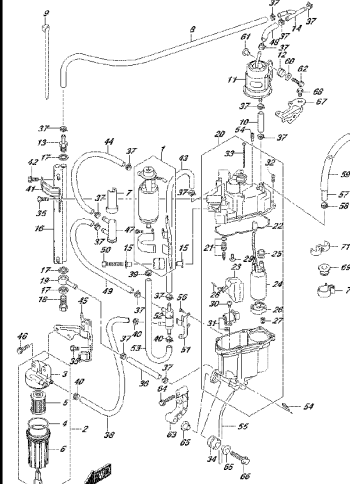
DEFIG. ELL. S.M. 147G
FLUID SEPARATOR

FIG. 147H



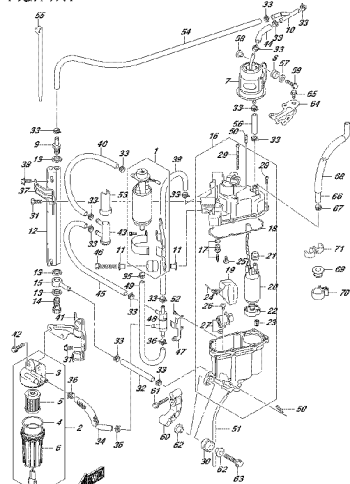
DEFIG. ELL. S.M. 147H
FLUID SEPARATOR

FIG. 147J



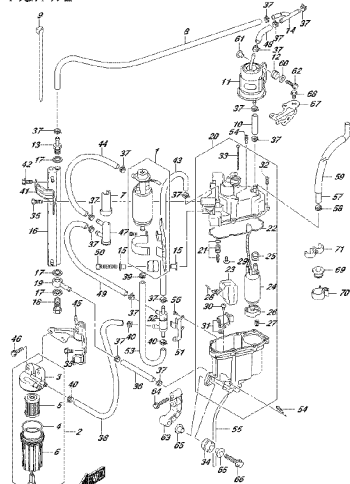
DEFIG. ELL. S.M. 147J
FLUID SEPARATOR

FIG. 147K



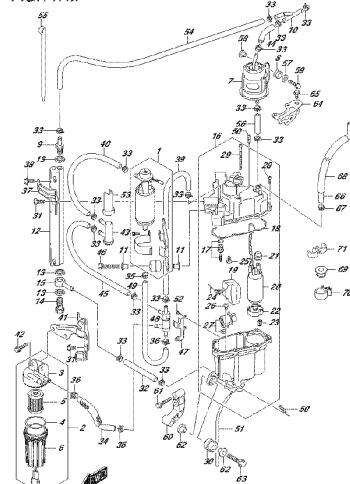
DEFIG. ELL. S.M. 147K
FLUID SEPARATOR

FIG. 147L



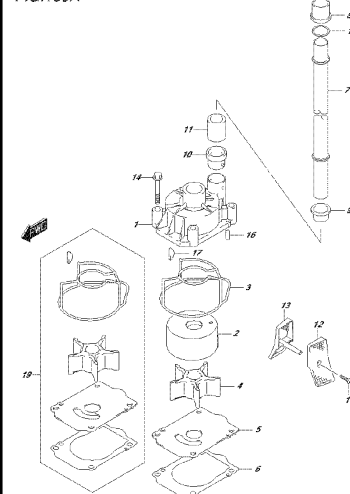
DEFIG. ELL. S.M. 147L
FLUID SEPARATOR

FIG. 147M



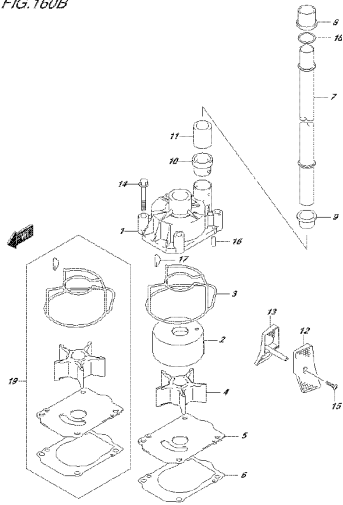
DEFIG. ELL. S.M. 147M
FLUID SEPARATOR

FIG. 160A



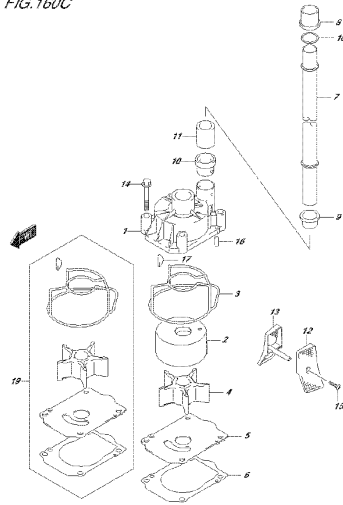
DEFIG. ELL. S.M. 160A
WATER PUMP

FIG. 160B



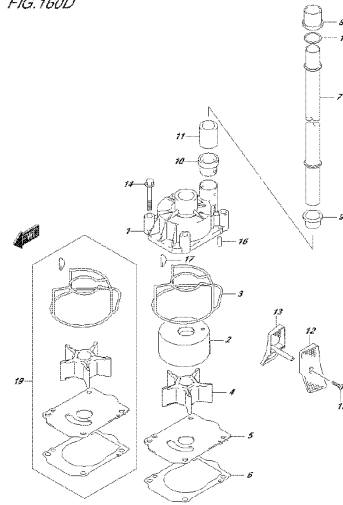
DEISEL, S.M. 483
WATER PUMP

FIG. 160C



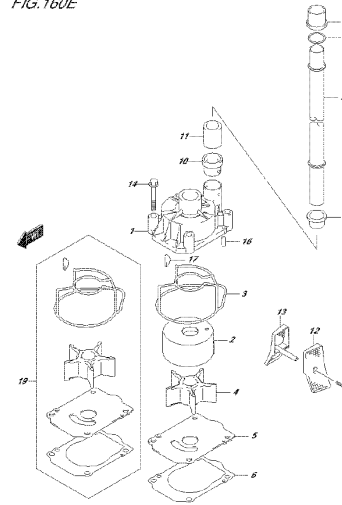
DEISEL, S.M. 483
WATER PUMP

FIG. 160D



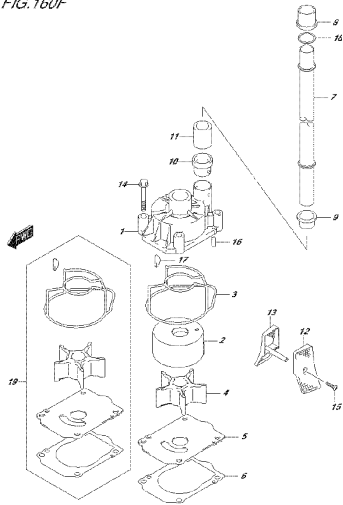
DEISEL, S.M. 483
WATER PUMP

FIG. 160E



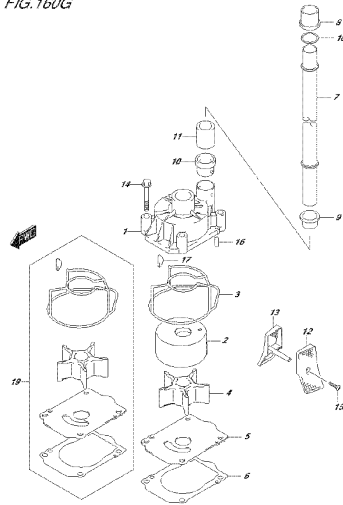
DEISEL, S.M. 483
WATER PUMP

FIG. 160F



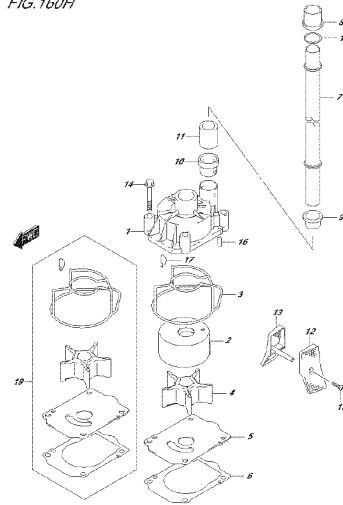
DEISEL, S.M. 483
WATER PUMP

FIG. 160G



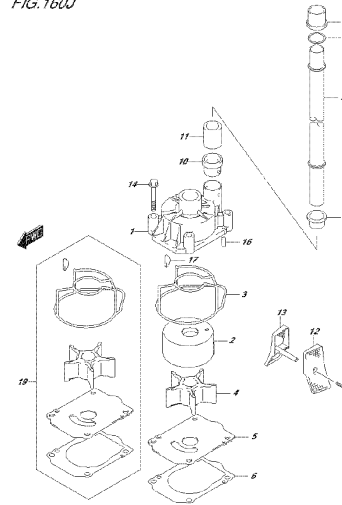
DEISEL, S.M. 483
WATER PUMP

FIG. 160H



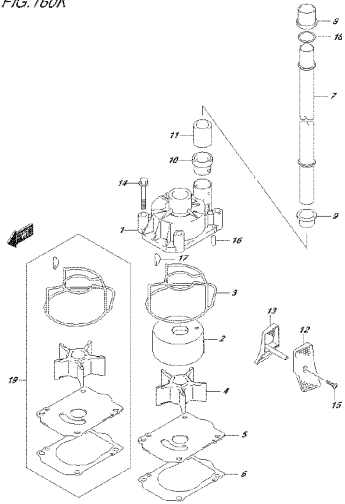
DEISEL, S.M. 483
WATER PUMP

FIG. 160J



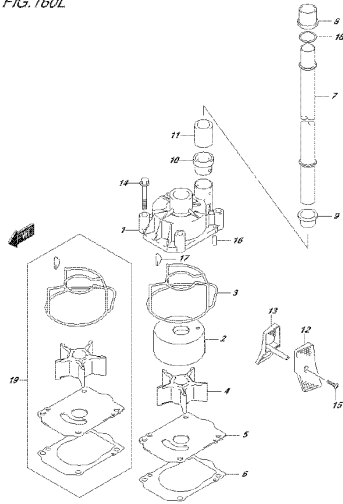
DEISEL, S.M. 483
WATER PUMP

FIG. 160K



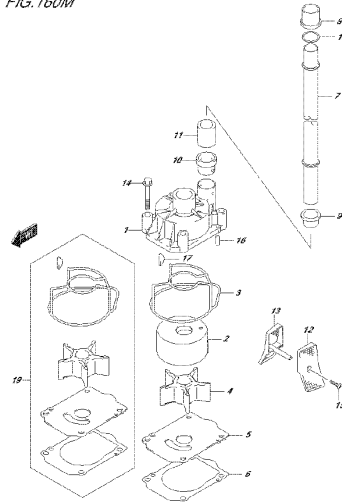
DP392, ELLI, 016, 4034
S&K TECHNOLOGY

FIG. 160L



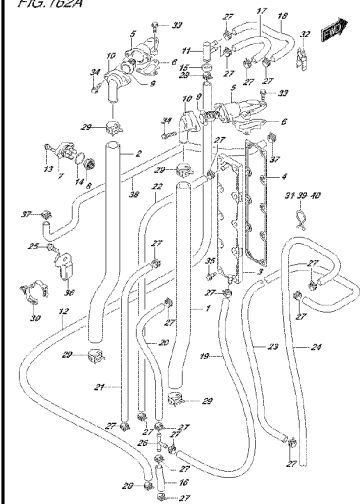
DP392, ELLI, 016, 403C
S&K TECHNOLOGY

FIG. 160M



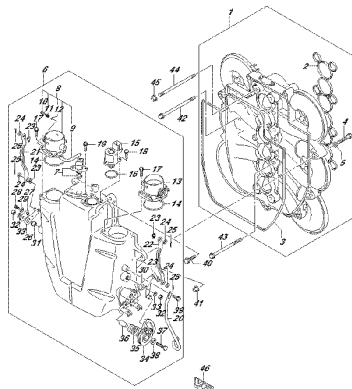
DP392, ELLI, 016, 4034
S&K TECHNOLOGY

FIG. 162A



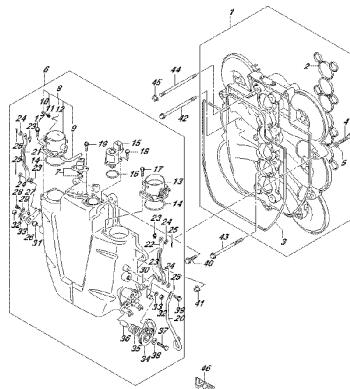
DP392, ELLI, 016, 4034
S&K TECHNOLOGY

FIG. 163A



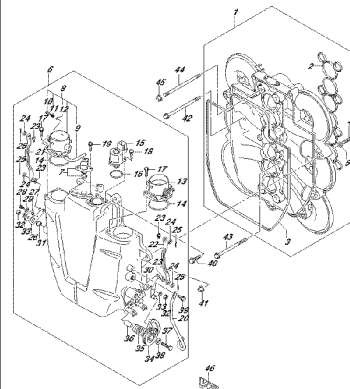
DP392, ELLI, 016, 4034
THROTTLE-3031

FIG. 163B



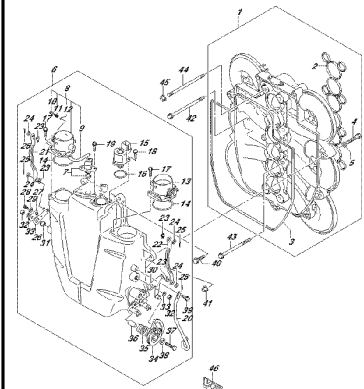
DP392, ELLI, 016, 403C
THROTTLE-3031

FIG. 163C



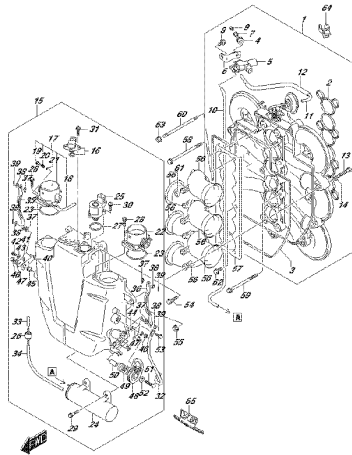
DP392, ELLI, 016, 403C
THROTTLE-3031

FIG. 163D



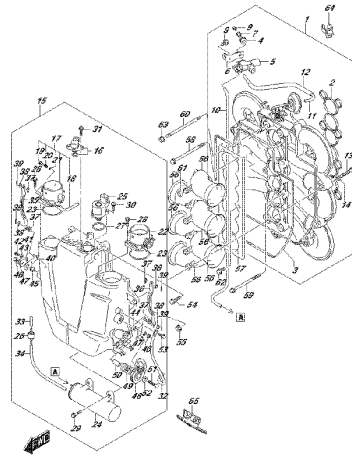
DP392, ELLI, 016, 403C
THROTTLE-3031

FIG. 163E



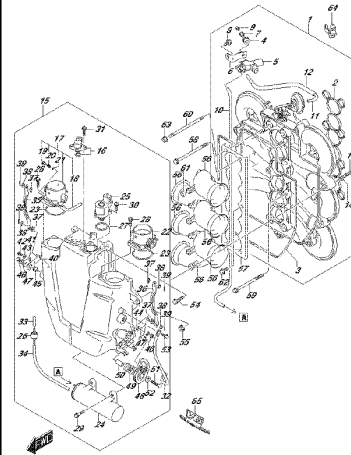
DP392, EDL 016, 402
THROTTLE 3031

FIG. 163F



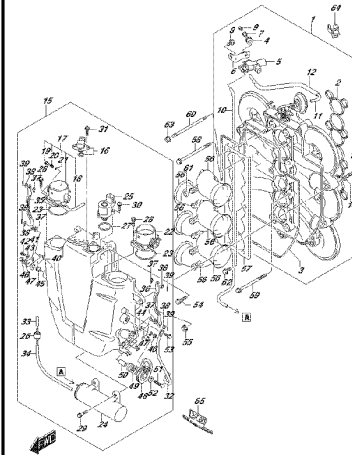
DP392, EDL 016, 402
THROTTLE 3031

FIG. 163G



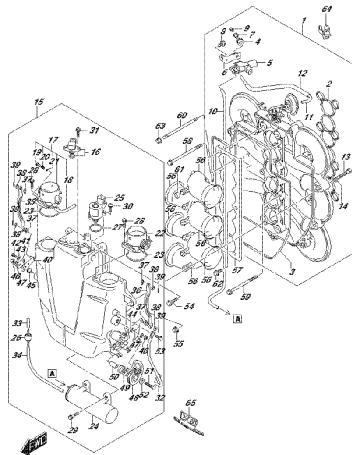
DP392, EDL 016, 402
THROTTLE 3031

FIG. 163H



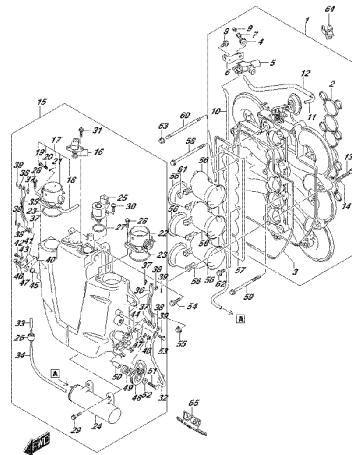
DP392, EDL 016, 402
THROTTLE 3031

FIG. 163J



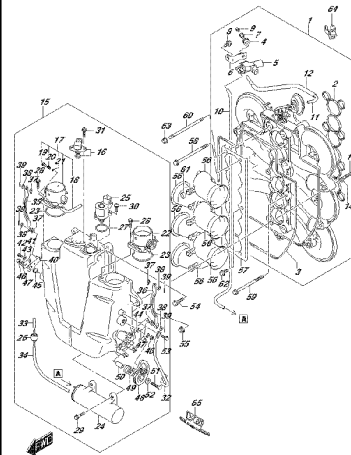
DP392, EDL 016, 402
THROTTLE 3031

FIG. 163K



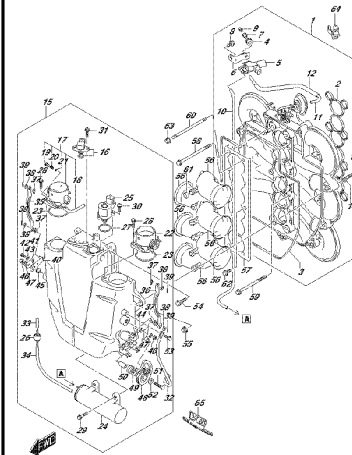
DP392, EDL 016, 402
THROTTLE 3031

FIG. 163L



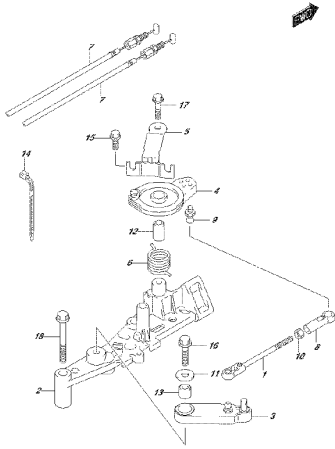
DP392, EDL 016, 402
THROTTLE 3031

FIG. 163M



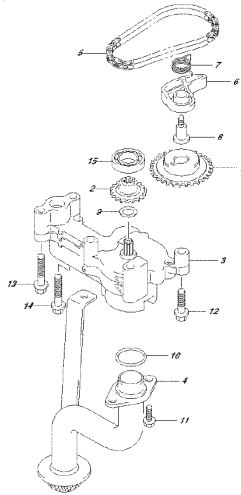
DP392, EDL 016, 402
THROTTLE 3031

FIG.164A



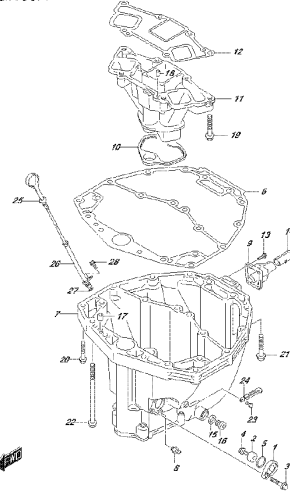
DEISEL, ELL, OHS, 164A
GROBTEIL 1623

FIG.175A



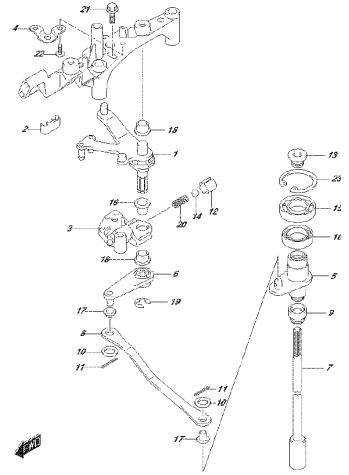
DEISEL, ELL, OHS, 175A
ZEL 16148P

FIG.180A



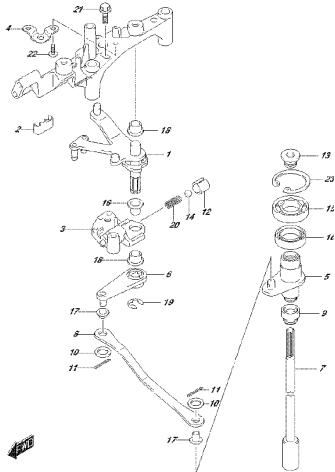
DEISEL, ELL, OHS, 180A
ZEL 16149

FIG.204A



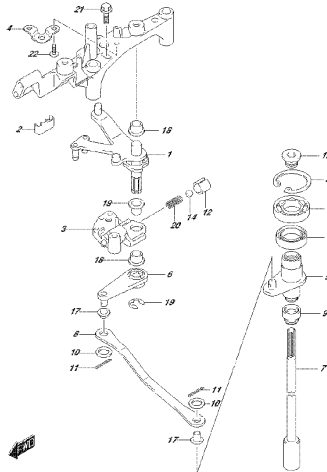
DEISEL, ELL, OHS, 204A
ZULWEN-SHAFT

FIG.204B



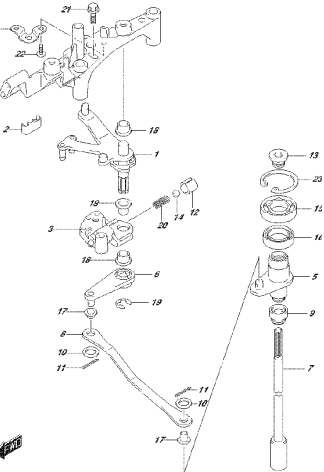
DEISEL, ELL, OHS, 204B
ZULWEN-SHAFT

FIG.204C



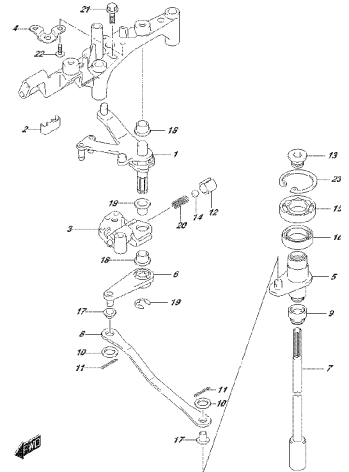
DEISEL, ELL, OHS, 204C
ZULWEN-SHAFT

FIG.204D



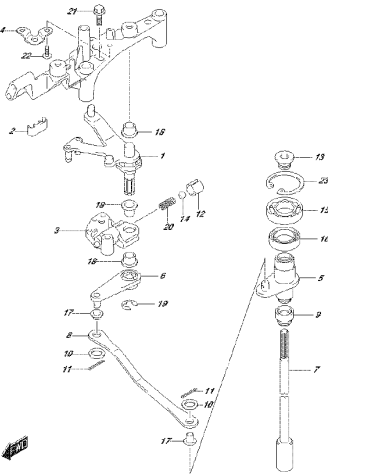
DEISEL, ELL, OHS, 204D
ZULWEN-SHAFT

FIG.204E



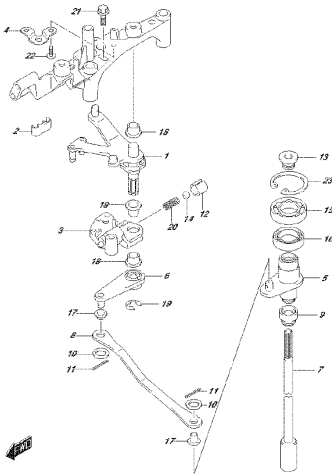
DEISEL, ELL, OHS, 204E
ZULWEN-SHAFT

FIG.204F



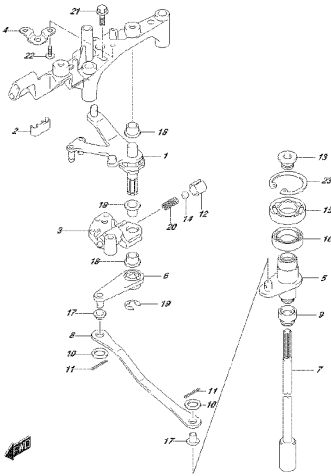
DEISEL 016 B04F
C/LUTHER-SHAF

FIG.204G



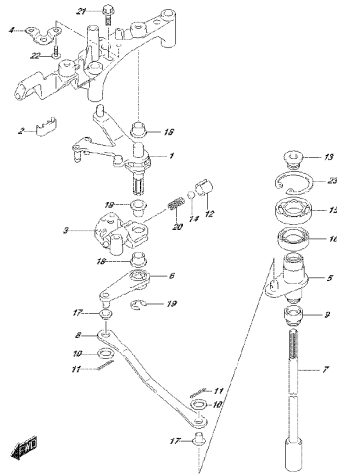
DEISEL 016 B04G
C/LUTHER-SHAF

FIG.204H



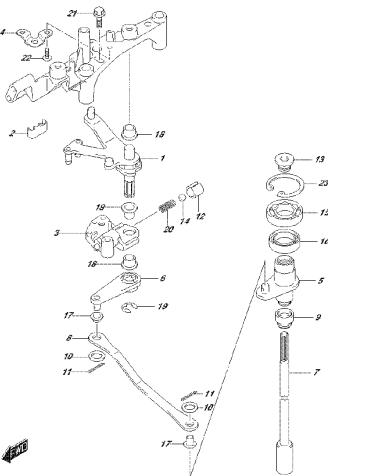
DEISEL 016 B04H
C/LUTHER-SHAF

FIG.204J



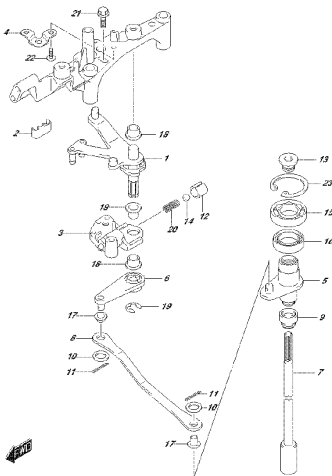
DEISEL 016 B04J
C/LUTHER-SHAF

FIG.204K



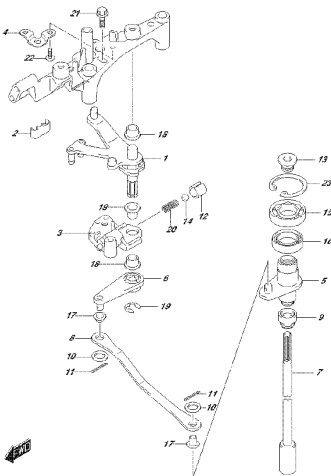
DEISEL 016 B04K
C/LUTHER-SHAF

FIG.204L



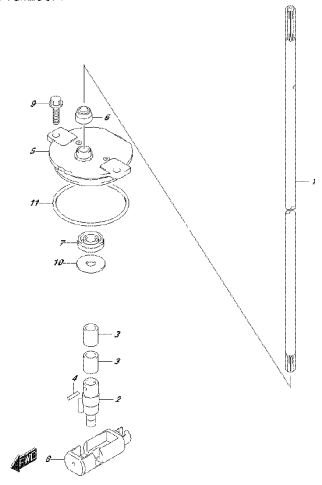
DEISEL 016 B04L
C/LUTHER-SHAF

FIG.204M



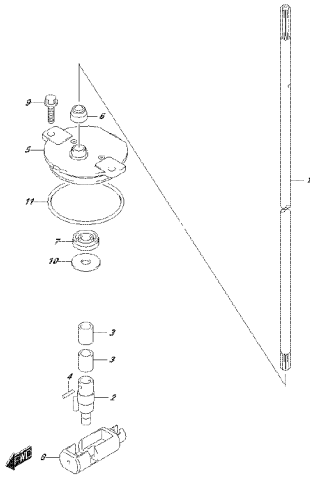
DEISEL 016 B04M
C/LUTHER-SHAF

FIG.206A



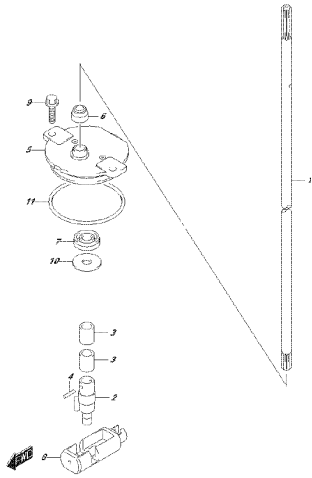
DEISEL 016 B06A
C/LUTHER-ROD

FIG.206B



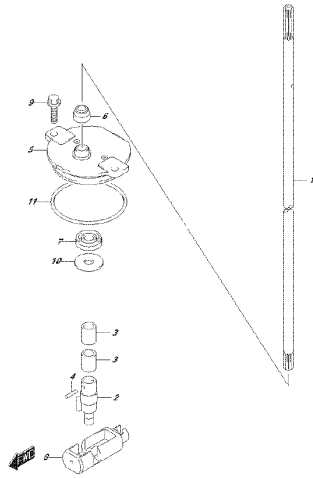
DP391-ED1.016.006F
CLUVIN-ROD

FIG.206C



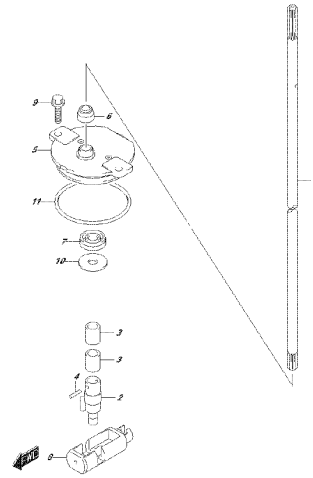
DP391-ED1.016.006C
CLUVIN-ROD

FIG.206D



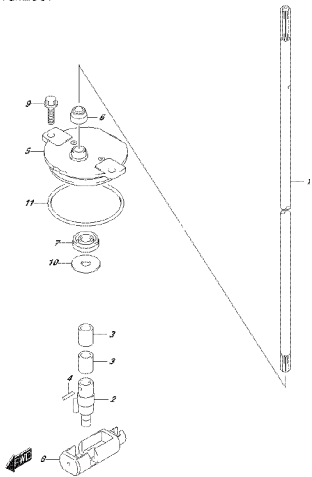
DP391-ED1.016.006D
CLUVIN-ROD

FIG.206E



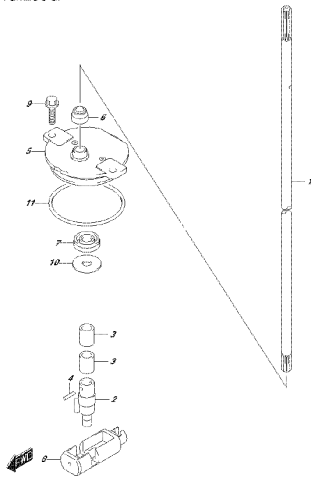
DP391-ED1.016.006E
CLUVIN-ROD

FIG.206F



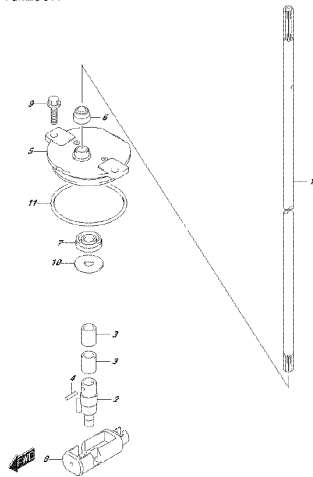
DP391-ED1.016.006F
CLUVIN-ROD

FIG.206G



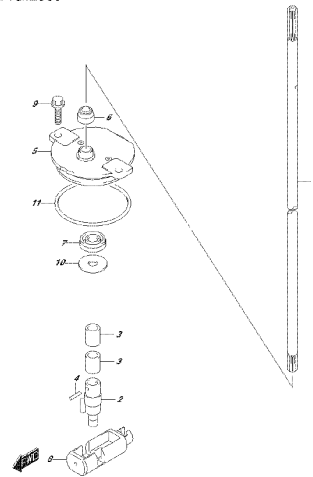
DP391-ED1.016.006G
CLUVIN-ROD

FIG.206H



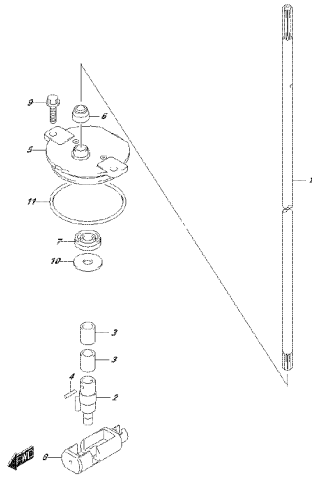
DP391-ED1.016.006H
CLUVIN-ROD

FIG.206J



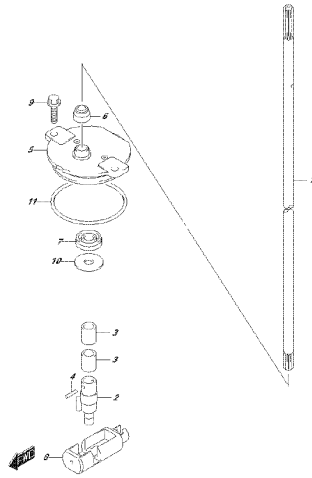
DP391-ED1.016.006J
CLUVIN-ROD

FIG.206K



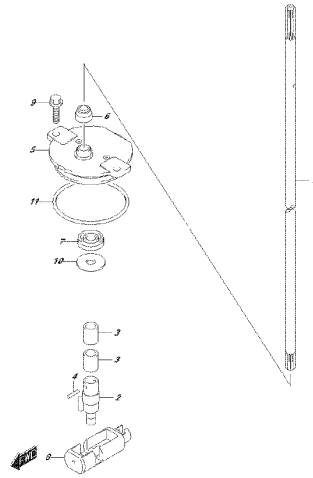
DP392, ZEIL 016, 8994
 61.01.01.022

FIG.206L



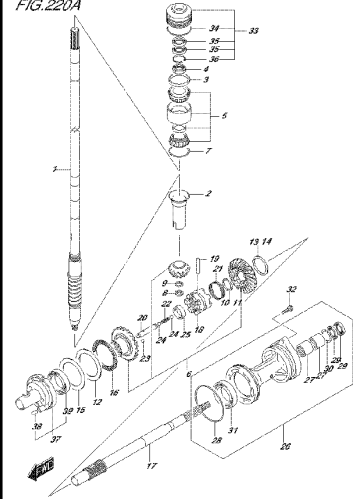
DP392, ZEIL 016, 8994
 61.01.01.022

FIG.206M



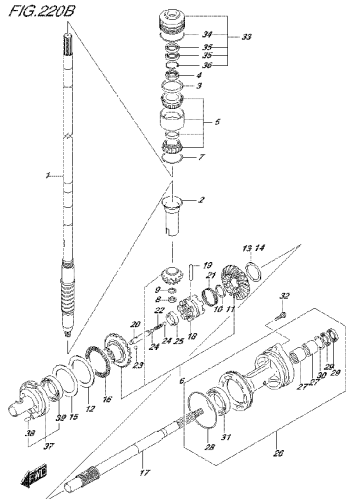
DP392, ZEIL 016, 8994
 61.01.01.022

FIG.220A



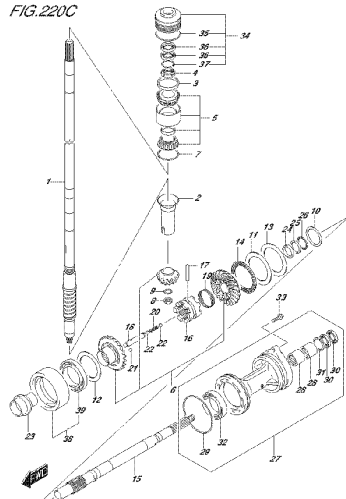
DP392, ZEIL 016, 8334
 1944.003.020

FIG.220B



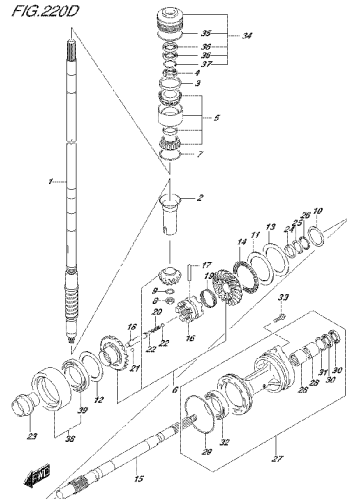
DP392, ZEIL 016, 8334
 1944.003.020

FIG.220C



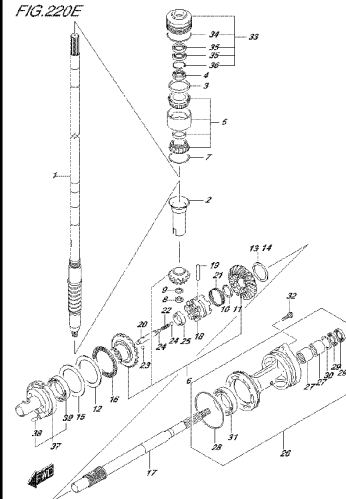
DP392, ZEIL 016, 8334
 1944.003.020

FIG.220D



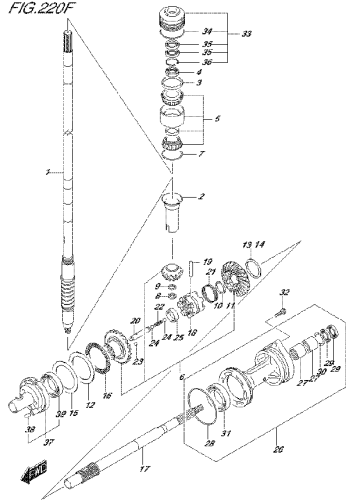
DP392, ZEIL 016, 8334
 1944.003.020

FIG.220E



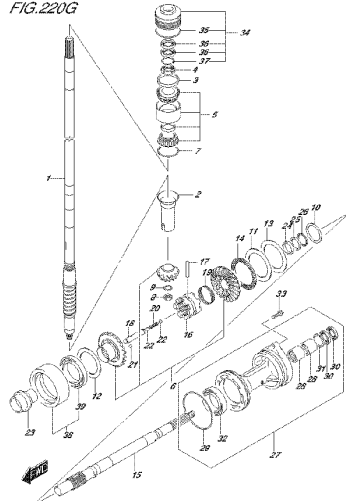
DP392, ZEIL 016, 8334
 1944.003.020

FIG.220F



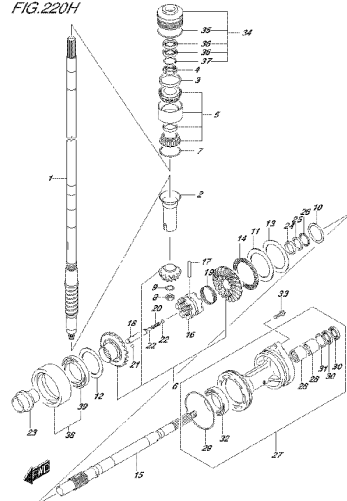
DP391, ELLI, 016, 020F
TSAKVOARSCHIK

FIG.220G



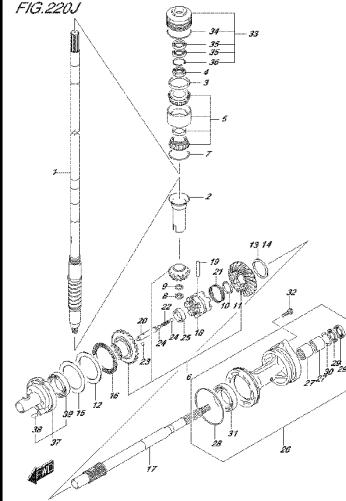
DP391, ELLI, 016, 020G
TSAKVOARSCHIK

FIG.220H



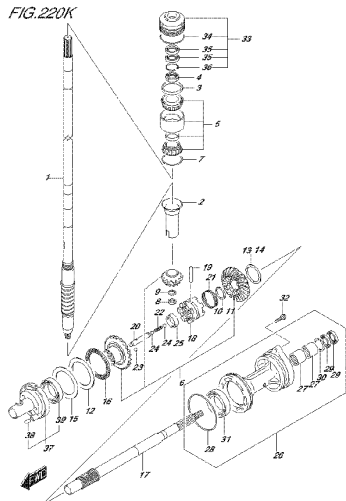
DP391, ELLI, 016, 020H
TSAKVOARSCHIK

FIG.220J



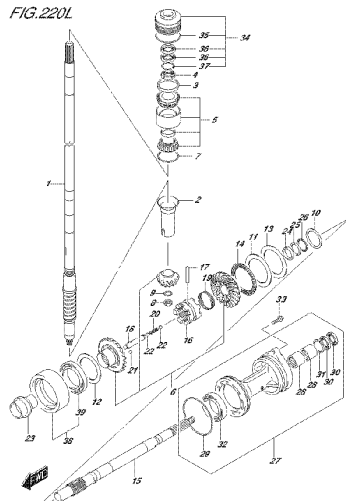
DP391, ELLI, 016, 020J
TSAKVOARSCHIK

FIG.220K



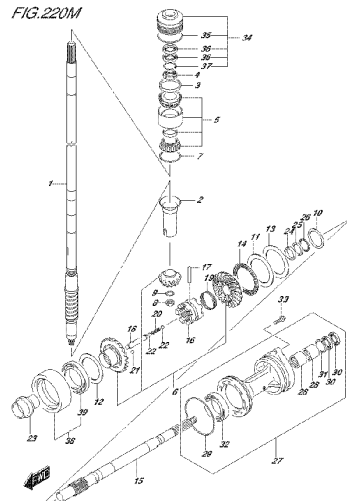
DP391, ELLI, 016, 020K
TSAKVOARSCHIK

FIG.220L



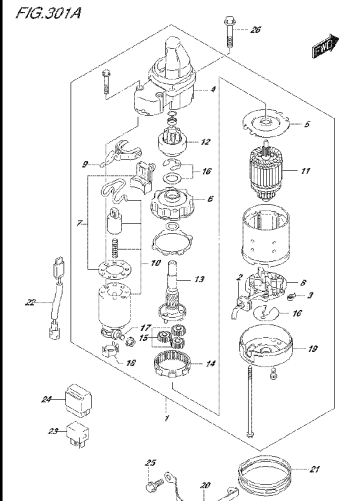
DP391, ELLI, 016, 020L
TSAKVOARSCHIK

FIG.220M



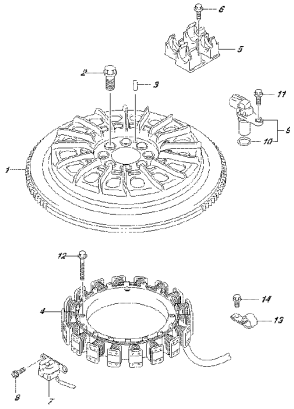
DP391, ELLI, 016, 020M
TSAKVOARSCHIK

FIG.301A



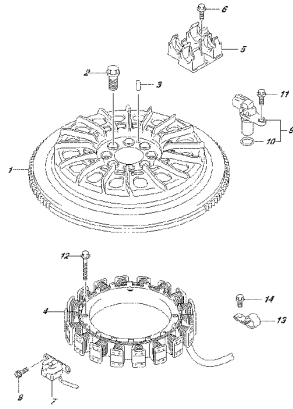
DP391, ELLI, 016, 301A
TSAKVOARSCHIK

FIG.303A



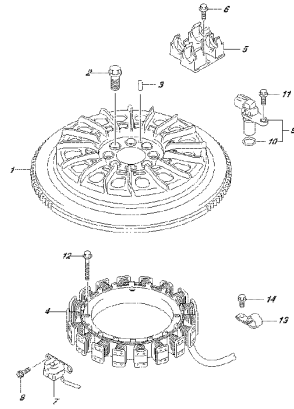
DF391 ED1-516.303A
HARPETER

FIG.303B



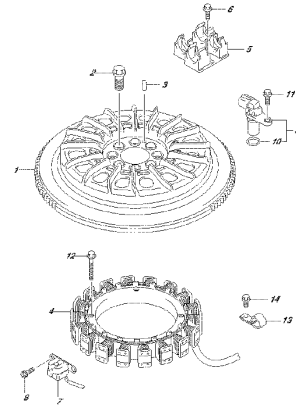
DF391 ED1-516.303B
HARPETER

FIG.303C



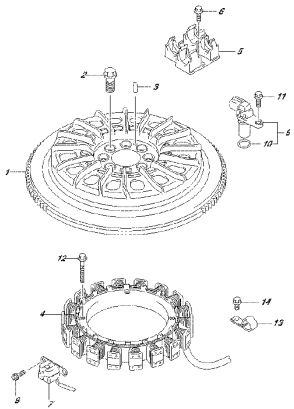
DF391 ED1-516.303C
HARPETER

FIG.303D



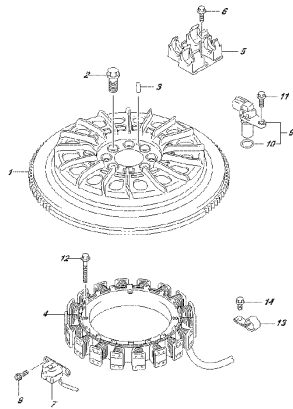
DF391 ED1-516.303D
HARPETER

FIG.303E



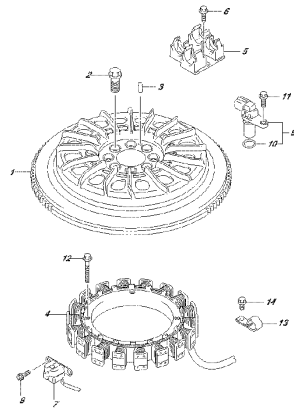
DF391 ED1-516.303E
HARPETER

FIG.303F



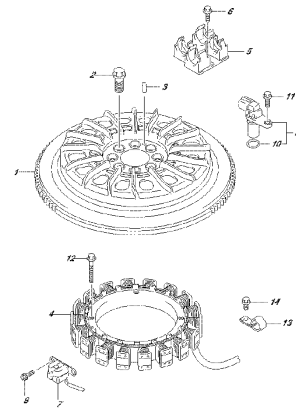
DF391 ED1-516.303F
HARPETER

FIG.303G



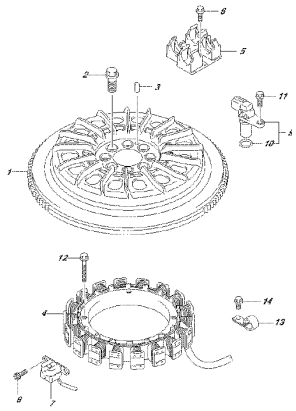
DF391 ED1-516.303G
HARPETER

FIG.303H



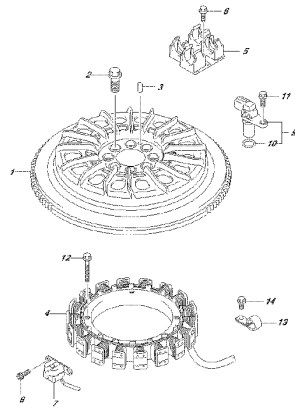
DF391 ED1-516.303H
HARPETER

FIG.303J



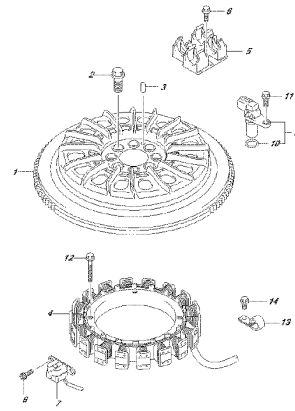
DP391.021.016.003J
HARNETOP

FIG.303K



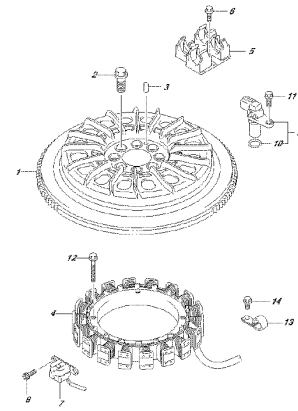
DP391.021.016.003K
HARNETOP

FIG.303L



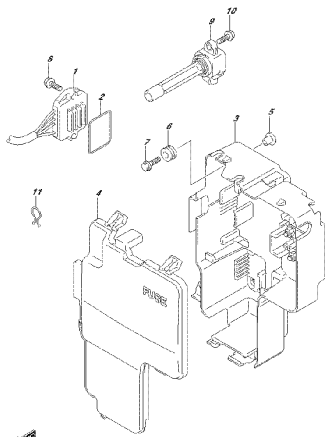
DP391.021.016.003L
HARNETOP

FIG.303M



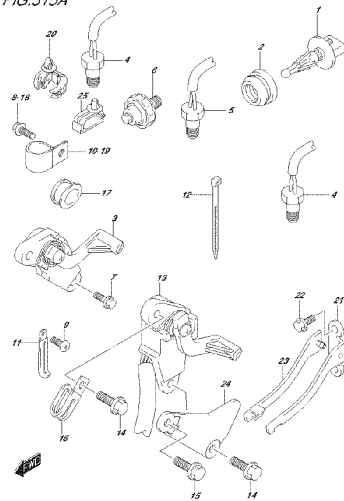
DP391.021.016.003M
HARNETOP

FIG.310A



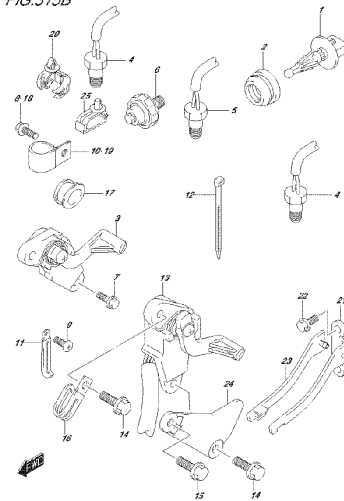
DP391.021.016.010A
RECHTSREIN/RECHTS/RIGHT

FIG.315A



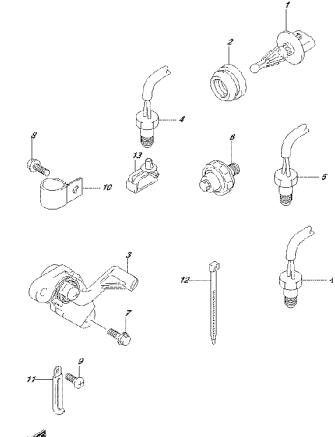
DP391.021.016.015A
RECHTS/RIGHT

FIG.315B



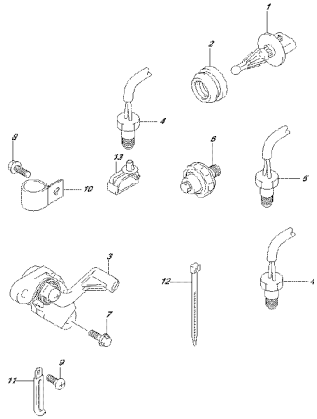
DP391.021.016.015B
RECHTS/RIGHT

FIG.315C



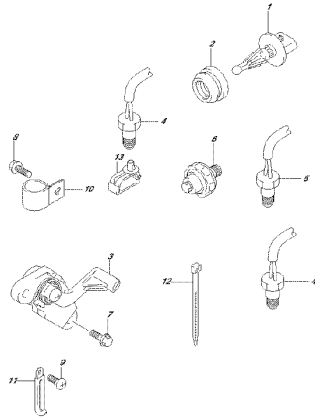
DP391.021.016.015C
RECHTS/RIGHT

FIG.315D



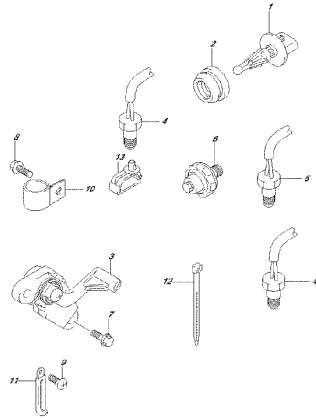
DP350, 451L, 016, 012P
02/2020/06

FIG.315E



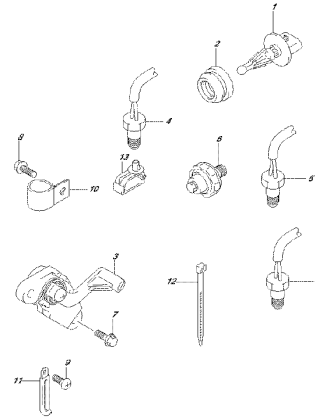
DP350, 451L, 016, 012P
02/2020/06

FIG.315F



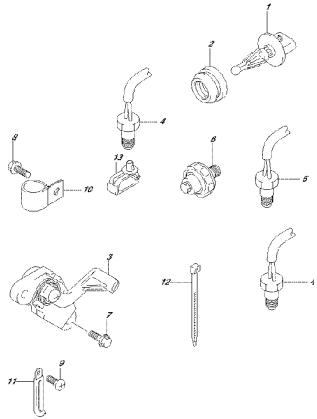
DP350, 451L, 016, 012P
02/2020/06

FIG.315G



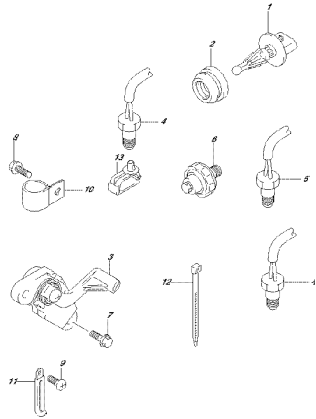
DP350, 451L, 016, 012P
02/2020/06

FIG.315H



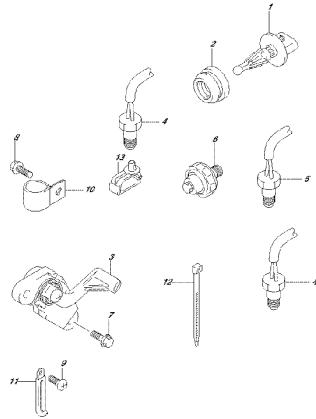
DP350, 451L, 016, 012P
02/2020/06

FIG.315J



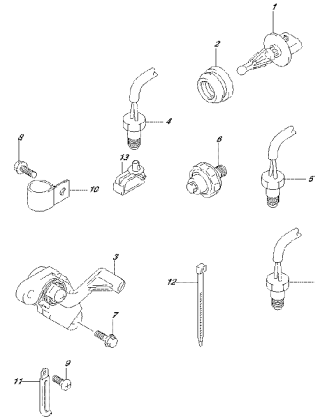
DP350, 451L, 016, 012P
02/2020/06

FIG.315K



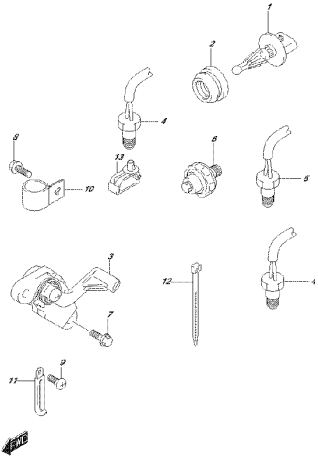
DP350, 451L, 016, 012P
02/2020/06

FIG.315L



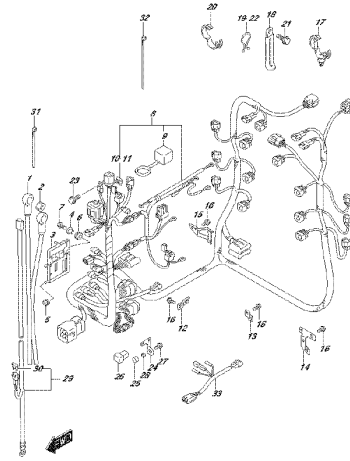
DP350, 451L, 016, 012P
02/2020/06

FIG.315M



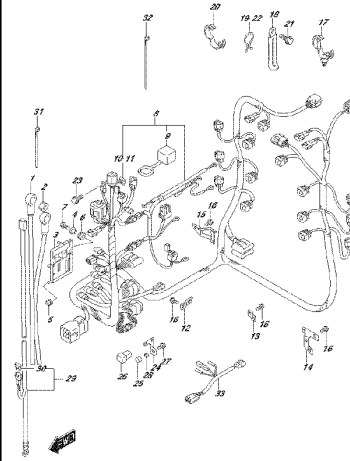
DP391, EEL, 016, 315M
HARNESS

FIG.322A



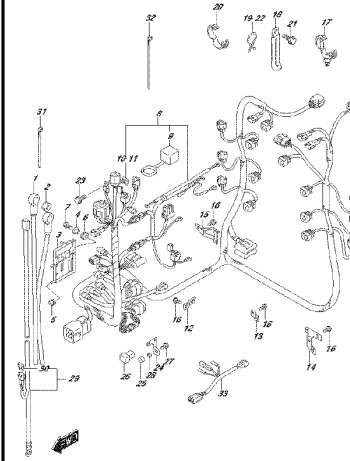
DP391, EEL, 016, 322A
HARNESS

FIG.322B



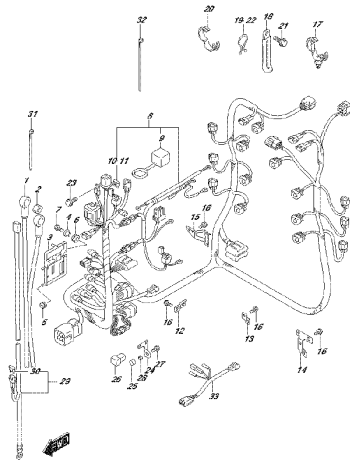
DP391, EEL, 016, 322B
HARNESS

FIG.322C



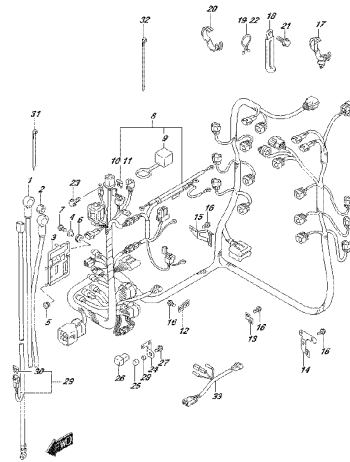
DP391, EEL, 016, 322C
HARNESS

FIG.322D



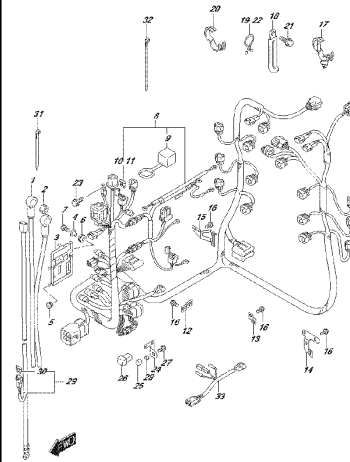
DP391, EEL, 016, 322D
HARNESS

FIG.322E



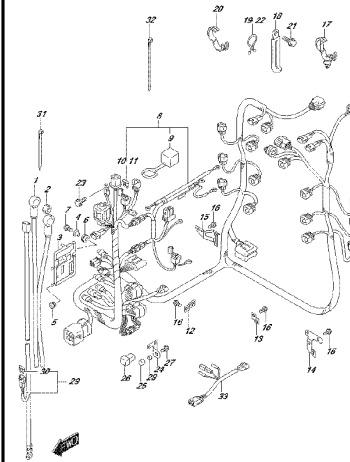
DP391, EEL, 016, 322E
HARNESS

FIG.322F



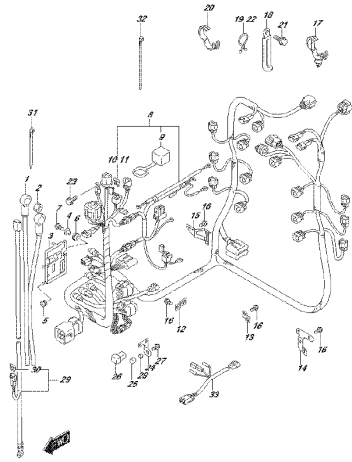
DP391, EEL, 016, 322F
HARNESS

FIG.322G



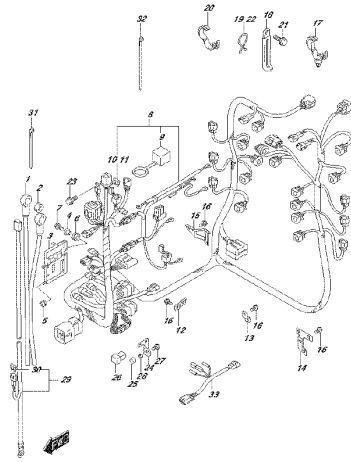
DP391, EEL, 016, 322G
HARNESS

FIG.322H



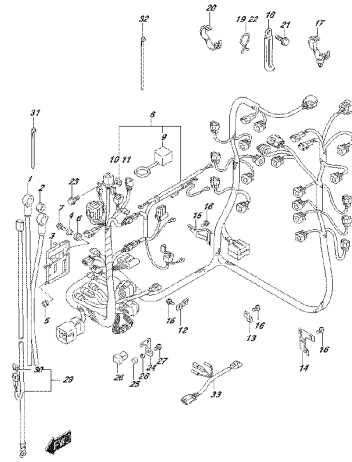
DF391, EEL, 0,16, 330V
HARNESS

FIG.322J



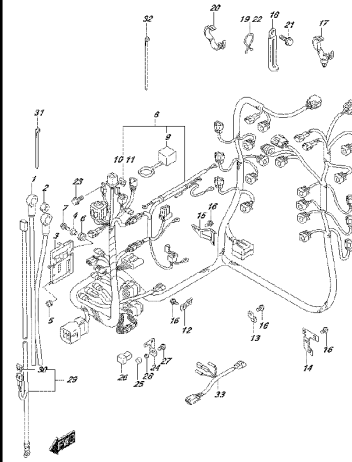
DF391, EEL, 0,16, 330V
HARNESS

FIG.322K



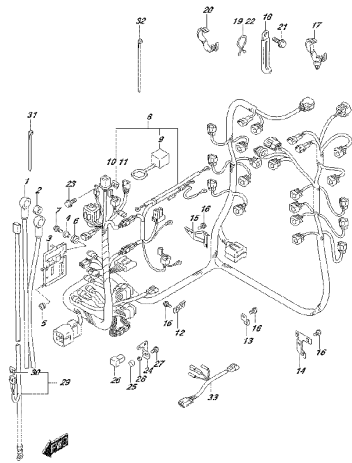
DF391, EEL, 0,16, 330V
HARNESS

FIG.322L



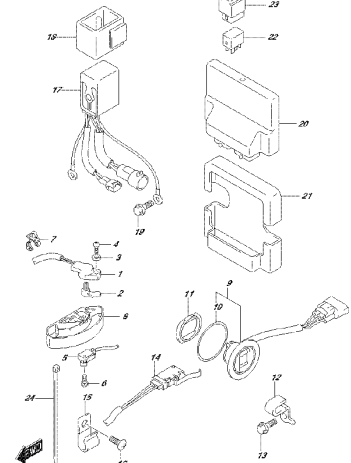
DF391, EEL, 0,16, 330V
HARNESS

FIG.322M



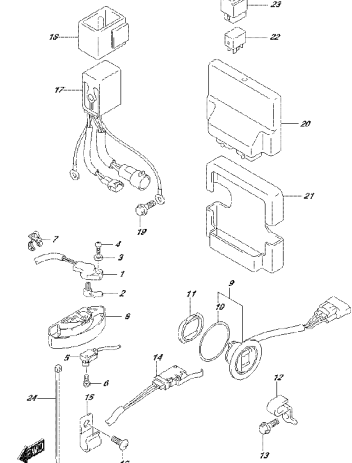
DF391, EEL, 0,16, 330V
HARNESS

FIG.326A



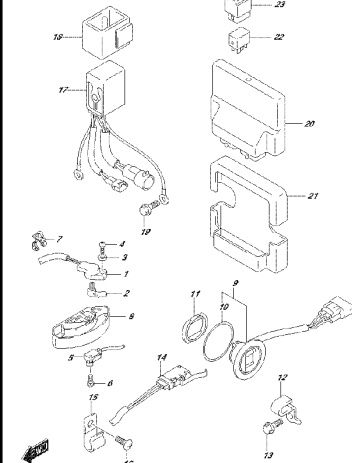
DF391, EEL, 0,16, 330V
FIT SWITCHGEAR CONTROL UNIT

FIG.326B



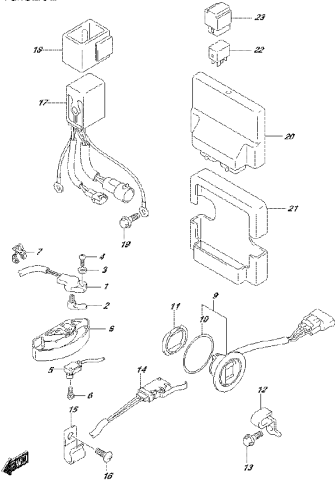
DF391, EEL, 0,16, 330V
FIT SWITCHGEAR CONTROL UNIT

FIG.326C



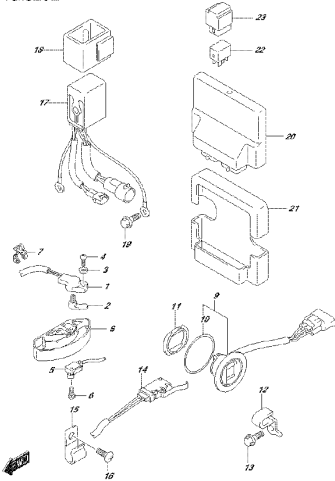
DF391, EEL, 0,16, 330V
FIT SWITCHGEAR CONTROL UNIT

FIG.326D



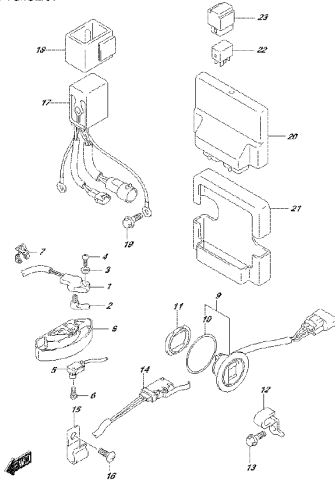
DP391, ELL 016, 0302
PIT SWITCHÉ-GRÈ-CONTROL UNIT

FIG.326E



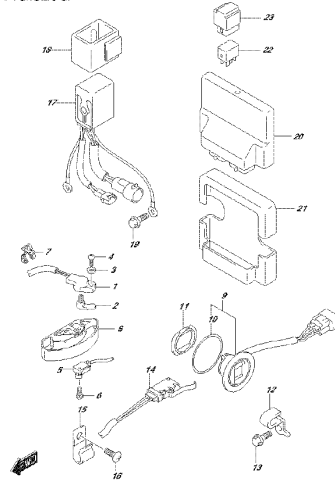
DP391, ELL 016, 0302
PIT SWITCHÉ-GRÈ-CONTROL UNIT

FIG.326F



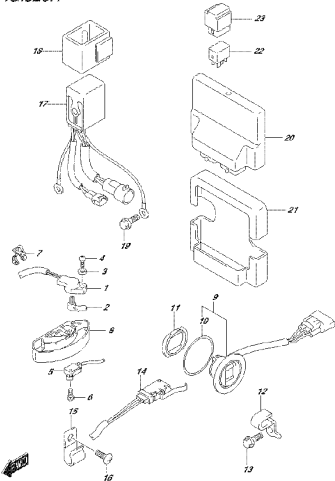
DP391, ELL 016, 0307
PIT SWITCHÉ-GRÈ-CONTROL UNIT

FIG.326G



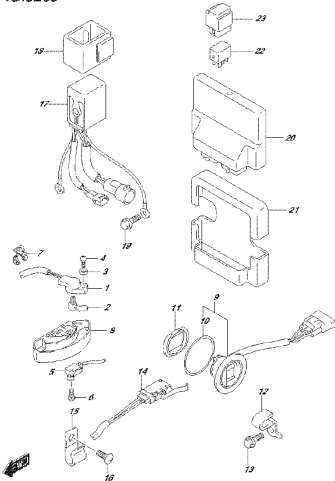
DP391, ELL 016, 0302
PIT SWITCHÉ-GRÈ-CONTROL UNIT

FIG.326H



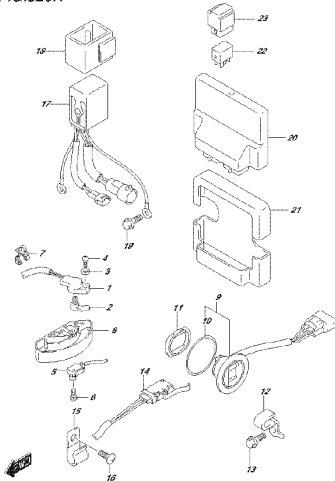
DP391, ELL 016, 0304
PIT SWITCHÉ-GRÈ-CONTROL UNIT

FIG.326I



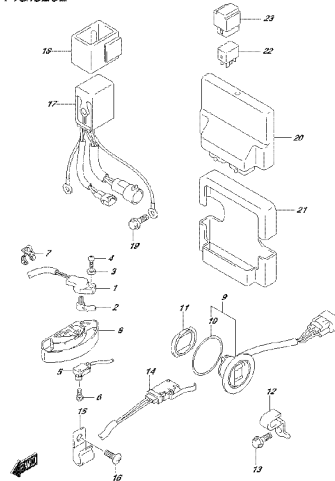
DP391, ELL 016, 0304
PIT SWITCHÉ-GRÈ-CONTROL UNIT

FIG.326J



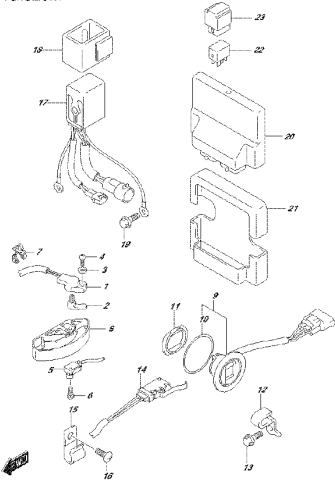
DP391, ELL 016, 0304
PIT SWITCHÉ-GRÈ-CONTROL UNIT

FIG.326K



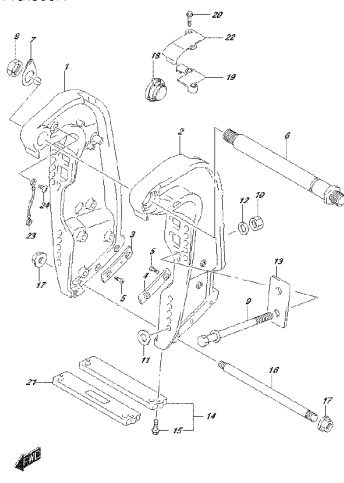
DP391, ELL 016, 0302
PIT SWITCHÉ-GRÈ-CONTROL UNIT

FIG.326M



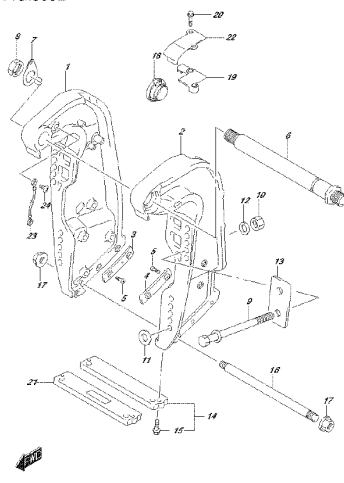
DP391 ELLI 016.0301
KIT SWITCH/ENGINE CONTROL UNIT

FIG.335A



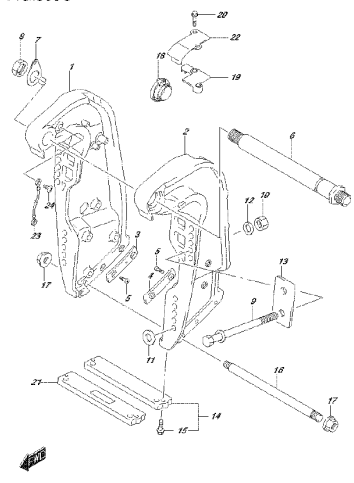
DP391 ELLI 016.0337
CLAMP BRACKET

FIG.335B



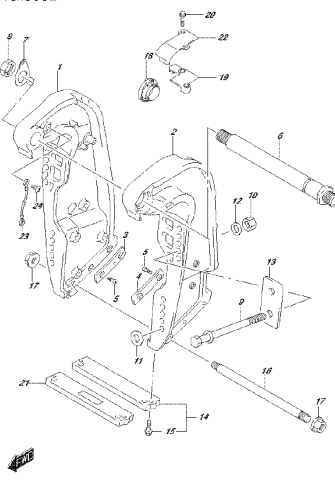
DP391 ELLI 016.0337
CLAMP BRACKET

FIG.335C



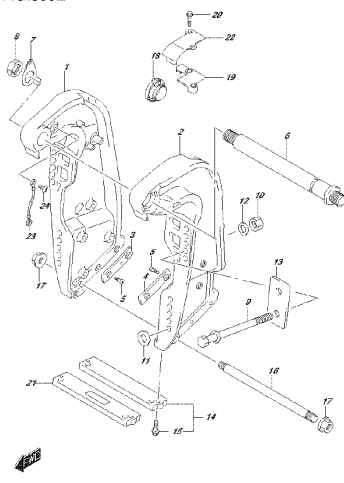
DP391 ELLI 016.0337
CLAMP BRACKET

FIG.335D



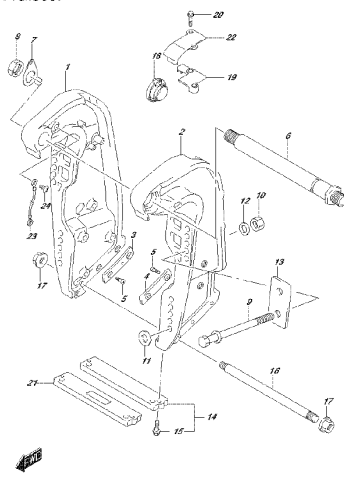
DP391 ELLI 016.0337
CLAMP BRACKET

FIG.335E



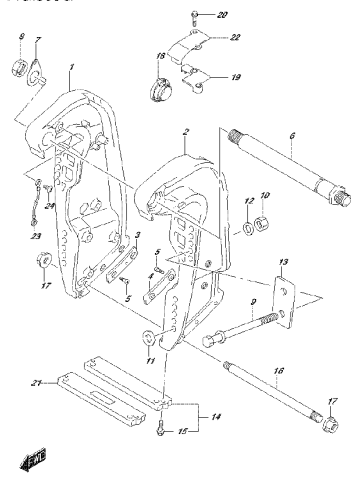
DP391 ELLI 016.0337
CLAMP BRACKET

FIG.335F



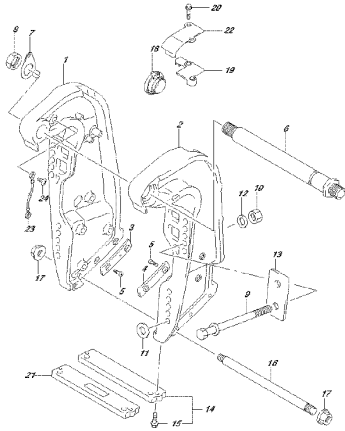
DP391 ELLI 016.0337
CLAMP BRACKET

FIG.335G



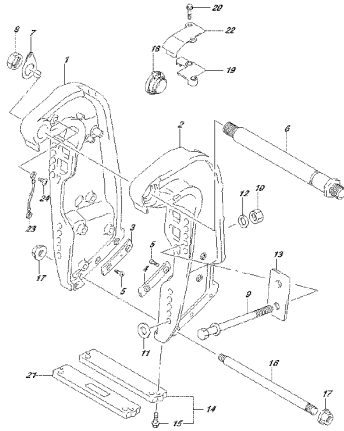
DP391 ELLI 016.0337
CLAMP BRACKET

FIG.335H



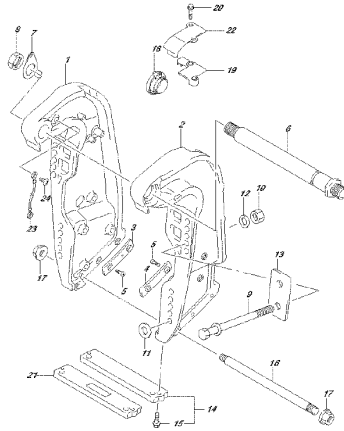
DP391, ELLI, 016, 335H
CLAMP BRACKET

FIG.335J



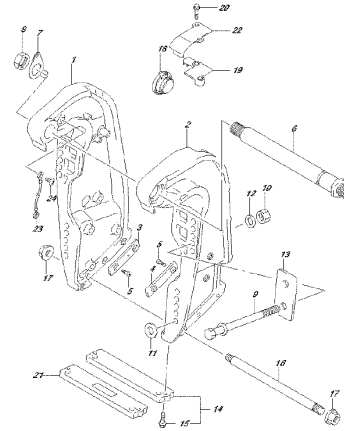
DP391, ELLI, 016, 335J
CLAMP BRACKET

FIG.335K



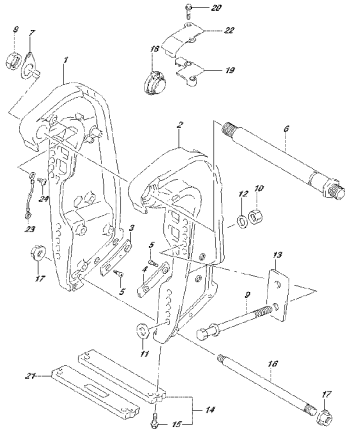
DP391, ELLI, 016, 335K
CLAMP BRACKET

FIG.335L



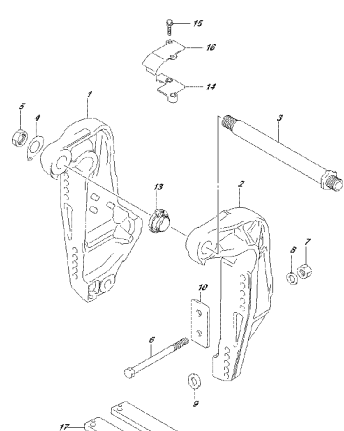
DP391, ELLI, 016, 335L
CLAMP BRACKET

FIG.335M



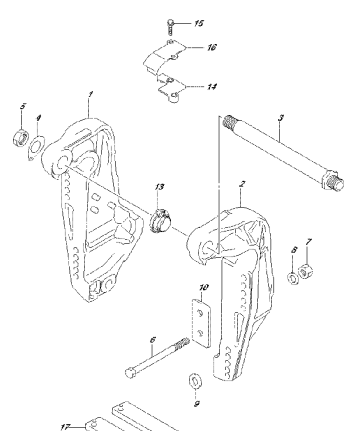
DP391, ELLI, 016, 335M
CLAMP BRACKET

FIG.335N



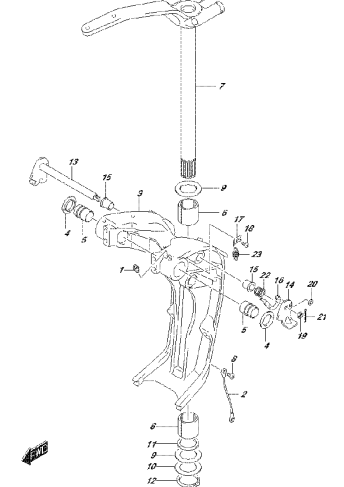
DP391, ELLI, 016, 335N
CLAMP BRACKET

FIG.335P



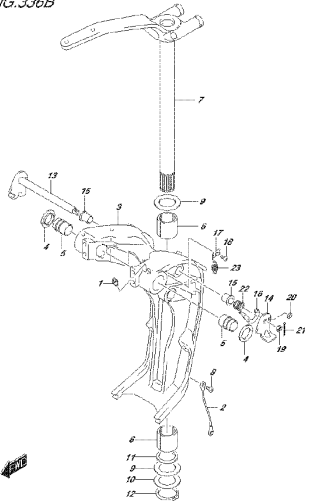
DP391, ELLI, 016, 335P
CLAMP BRACKET

FIG.336A



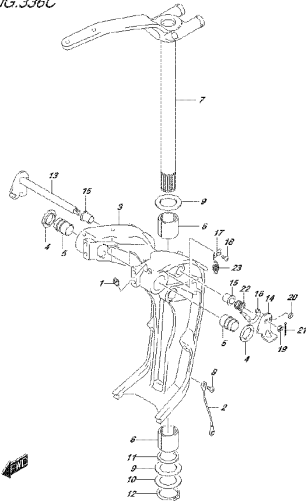
DP391, ELLI, 016, 336A
WHEEL BRACKET

FIG. 336B



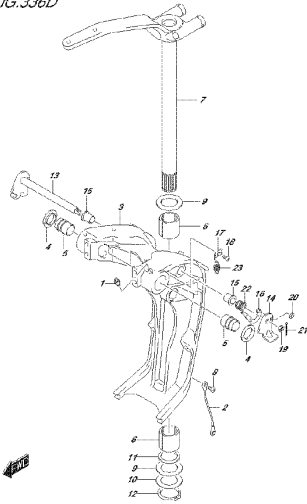
DP392, ED1, 016, 0367
©2002 SPANDEX

FIG. 336C



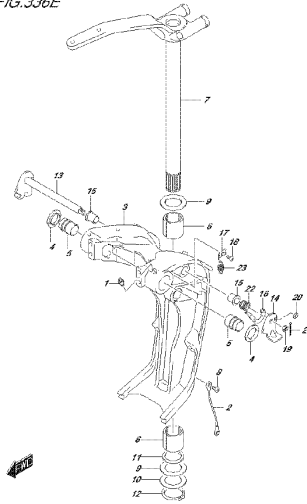
DP392, ED1, 016, 0367
©2002 SPANDEX

FIG. 336D



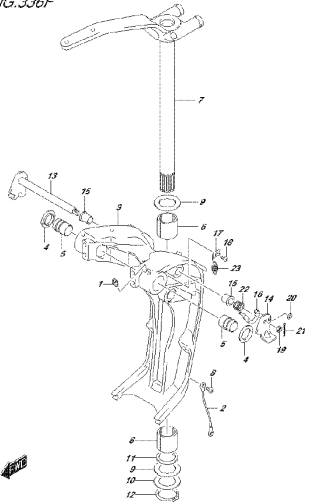
DP392, ED1, 016, 0367
©2002 SPANDEX

FIG. 336E



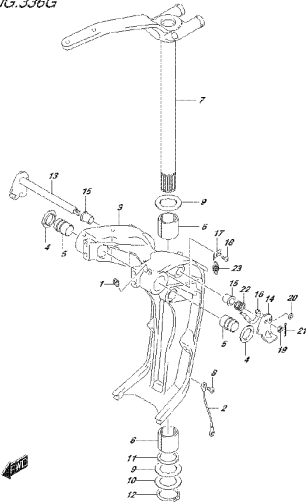
DP392, ED1, 016, 0367
©2002 SPANDEX

FIG. 336F



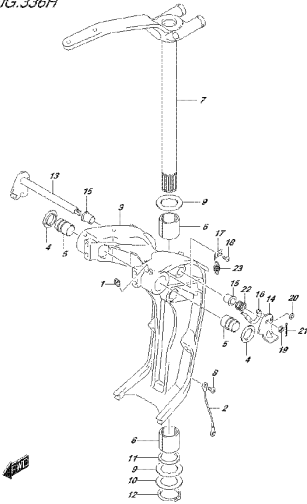
DP392, ED1, 016, 0367
©2002 SPANDEX

FIG. 336G



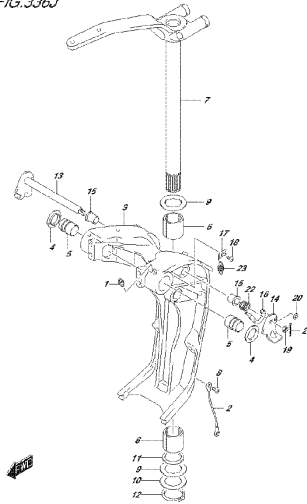
DP392, ED1, 016, 0367
©2002 SPANDEX

FIG. 336H



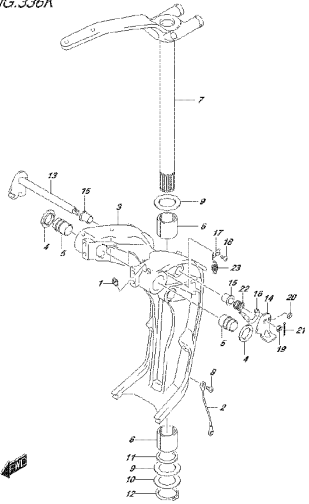
DP392, ED1, 016, 0367
©2002 SPANDEX

FIG. 336J



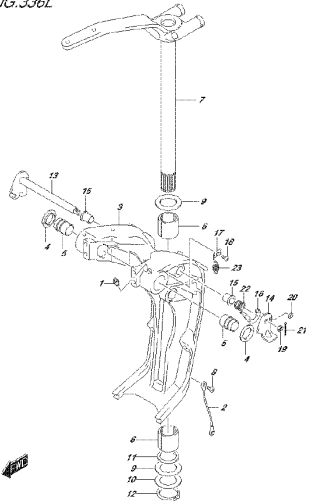
DP392, ED1, 016, 0367
©2002 SPANDEX

FIG.336K



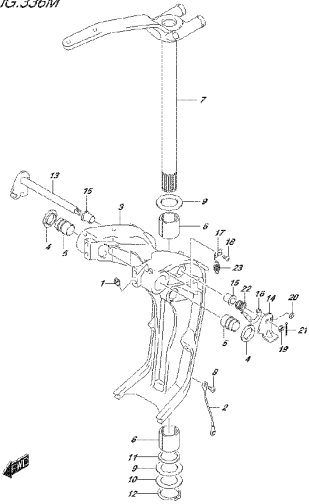
DF39L 016.336F
STRABEL SPACCHET

FIG.336L



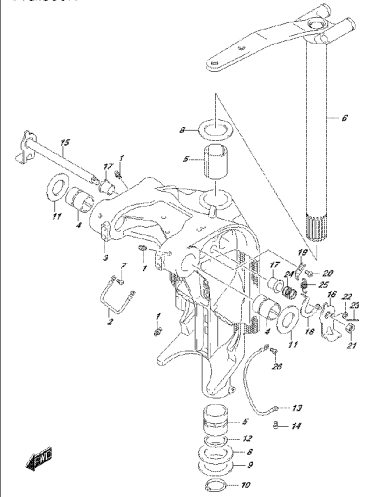
DF39L 016.336C
STRABEL SPACCHET

FIG.336M



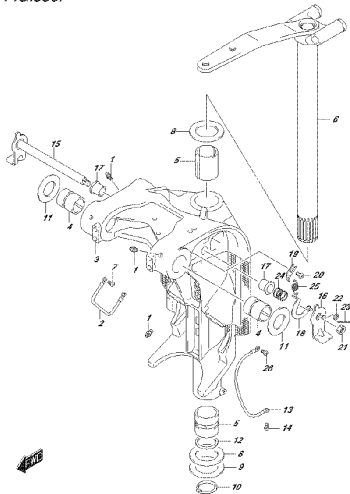
DF39L 016.336P
STRABEL SPACCHET

FIG.336N



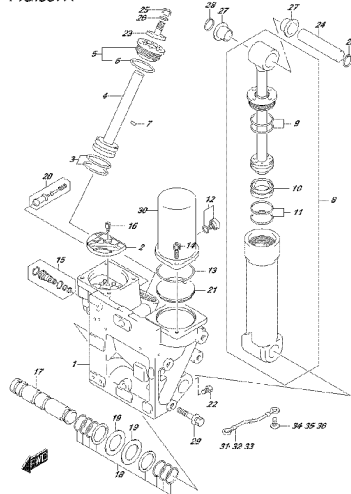
DF39L 016.336P
STRABEL SPACCHET

FIG.336P



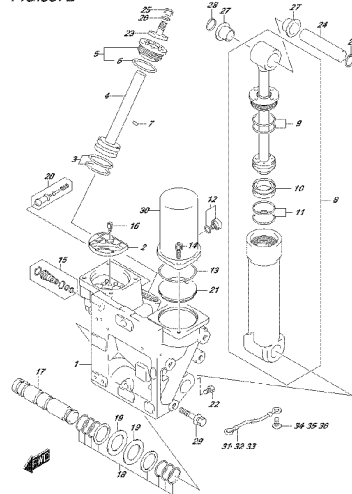
DF39L 016.336P
STRABEL SPACCHET

FIG.337A



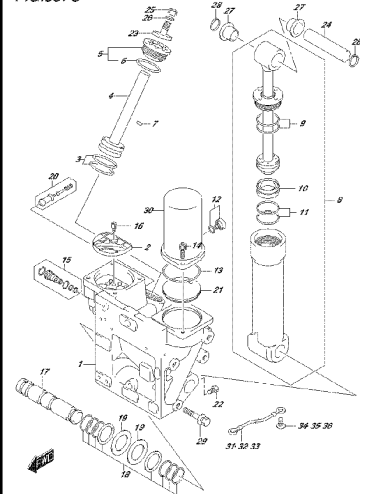
DF39L 016.337A
TRACCHEREN

FIG.337B



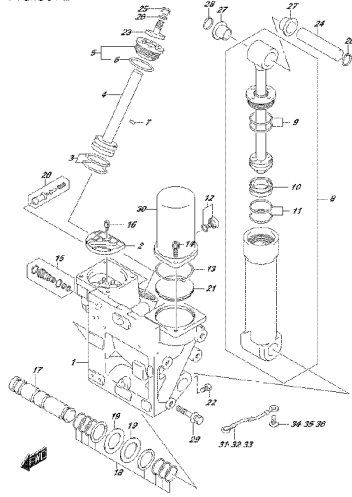
DF39L 016.337B
TRACCHEREN

FIG.337C



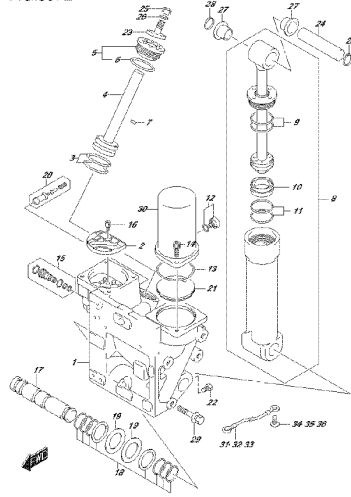
DF39L 016.337C
TRACCHEREN

FIG.337D



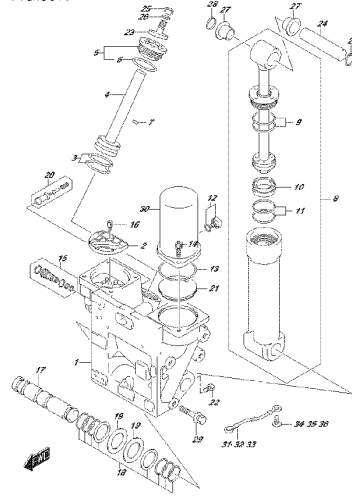
DF392.021.016.037D
TRACTORPÄNEN

FIG.337E



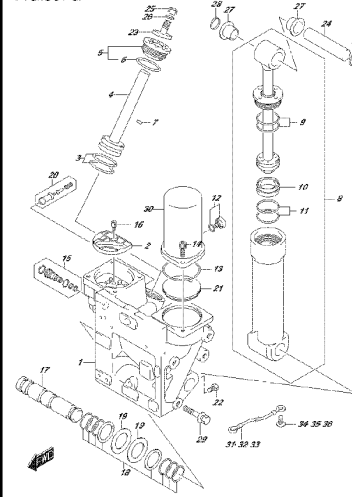
DF392.021.016.037E
TRACTORPÄNEN

FIG.337F



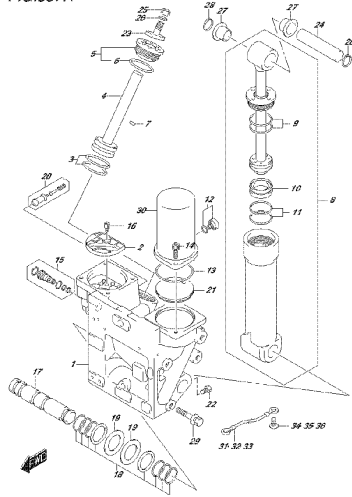
DF392.021.016.037F
TRACTORPÄNEN

FIG.337G



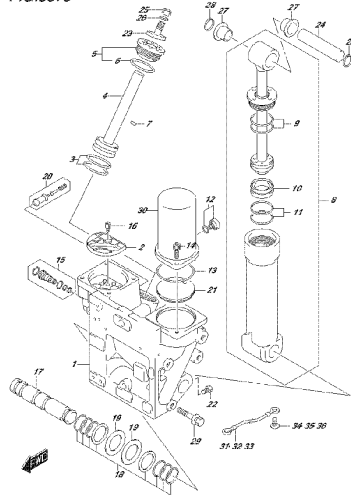
DF392.021.016.037G
TRACTORPÄNEN

FIG.337H



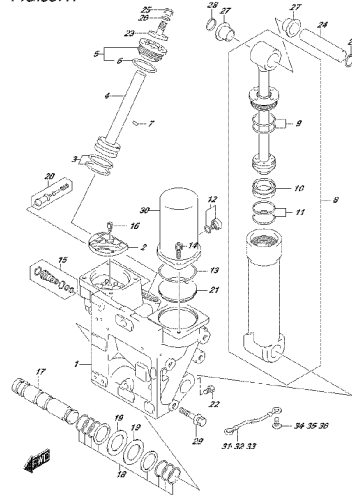
DF392.021.016.037H
TRACTORPÄNEN

FIG.337J



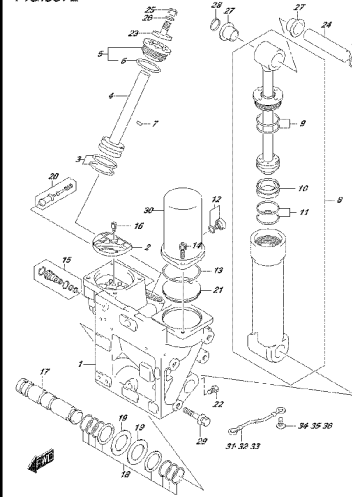
DF392.021.016.037J
TRACTORPÄNEN

FIG.337K



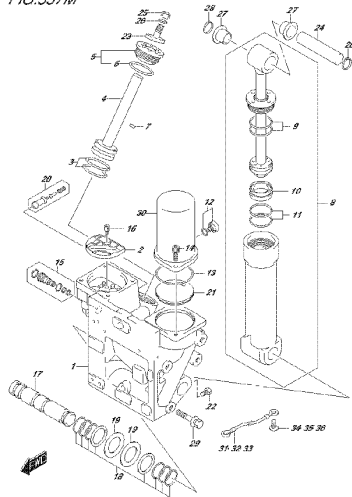
DF392.021.016.037K
TRACTORPÄNEN

FIG.337L



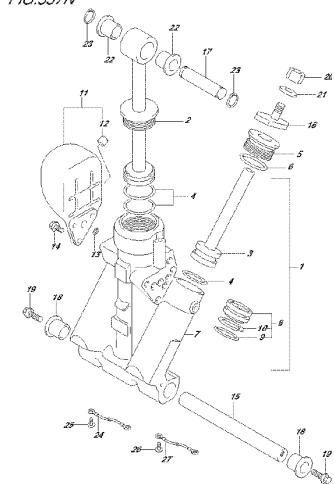
DF392.021.016.037L
TRACTORPÄNEN

FIG.337M



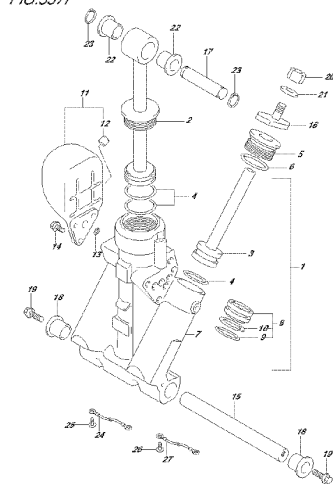
DF391 EDL 016 337M
P11 641298

FIG.337N



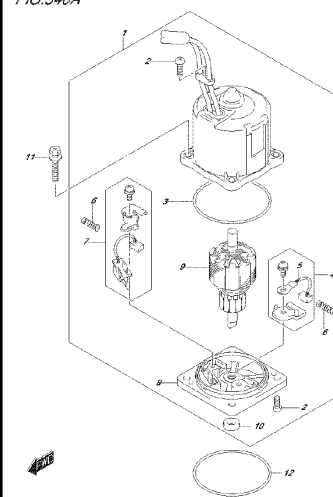
DF391 EDL 016 337N
P11 641298

FIG.337P



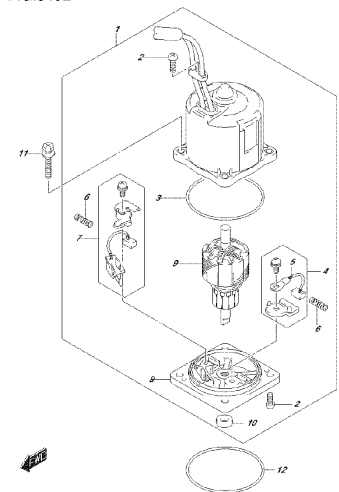
DF391 EDL 016 337P
P11 641298

FIG.340A



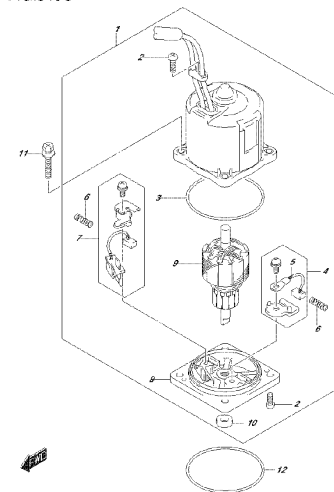
DF391 EDL 016 340A
P11 641298

FIG.340B



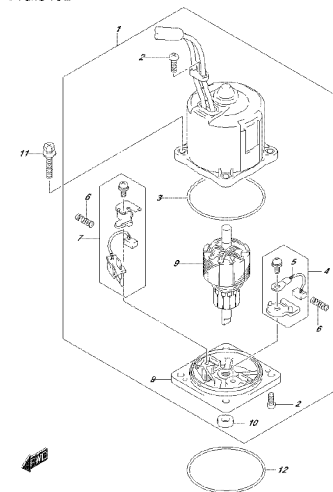
DF391 EDL 016 340B
P11 641298

FIG.340C



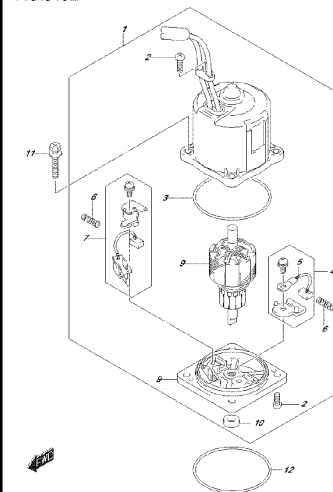
DF391 EDL 016 340C
P11 641298

FIG.340D



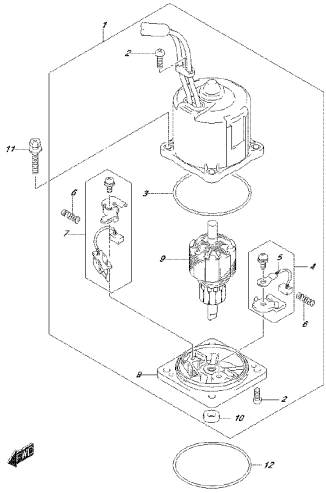
DF391 EDL 016 340D
P11 641298

FIG.340E



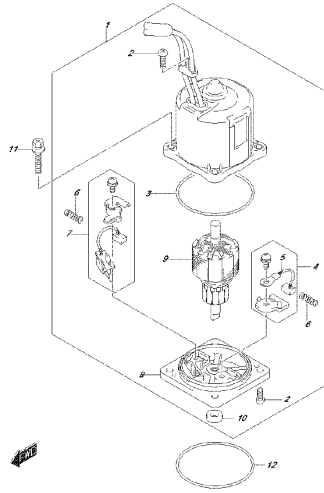
DF391 EDL 016 340E
P11 641298

FIG.340F



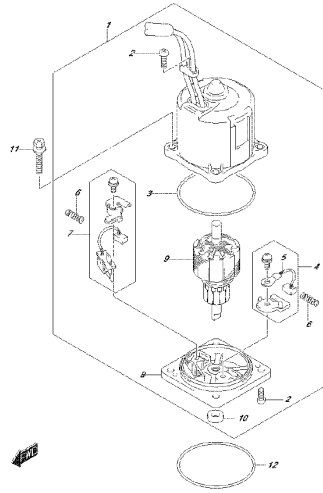
DF391, ED11, 016, 040V
P111 4610285

FIG.340G



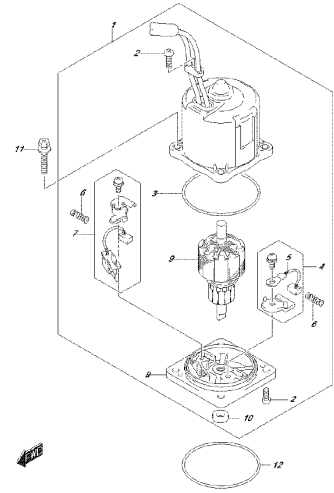
DF391, ED11, 016, 040V
P111 4610285

FIG.340H



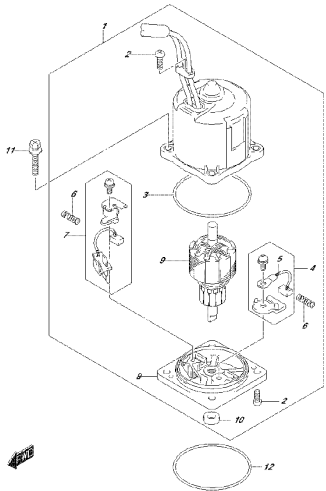
DF391, ED11, 016, 040V
P111 4610285

FIG.340J



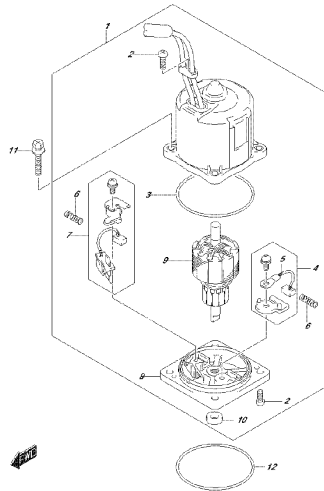
DF391, ED11, 016, 040V
P111 4610285

FIG.340K



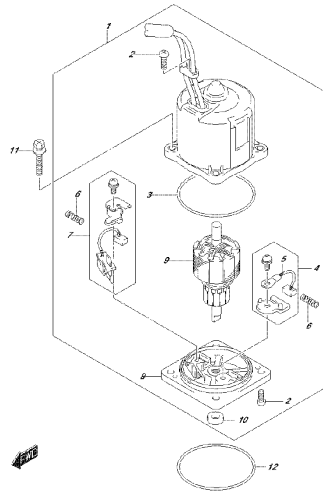
DF391, ED11, 016, 040V
P111 4610285

FIG.340L



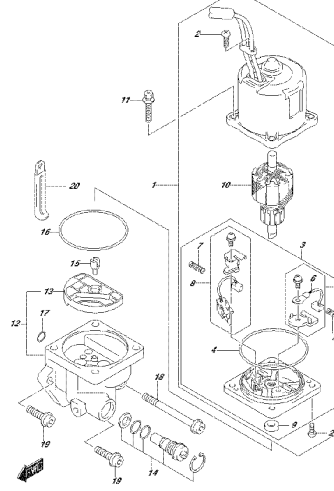
DF391, ED11, 016, 040V
P111 4610285

FIG.340M



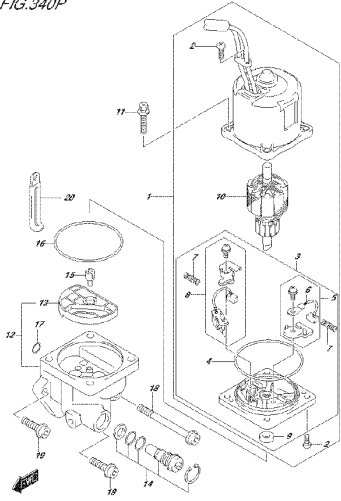
DF391, ED11, 016, 040V
P111 4610285

FIG.340N



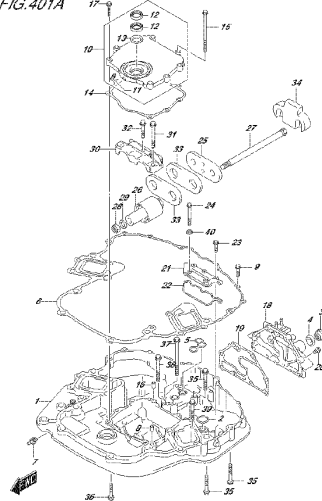
DF391, ED11, 016, 040V
P111 4610285

FIG.340P



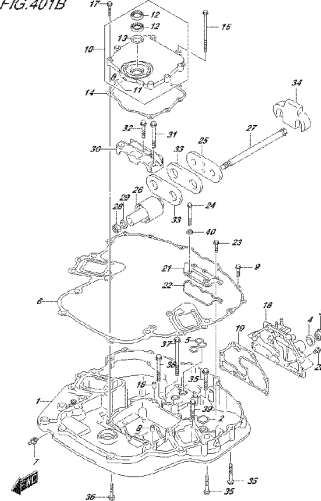
DP391 ELL 016 340P
FINNME H0329P

FIG.401A



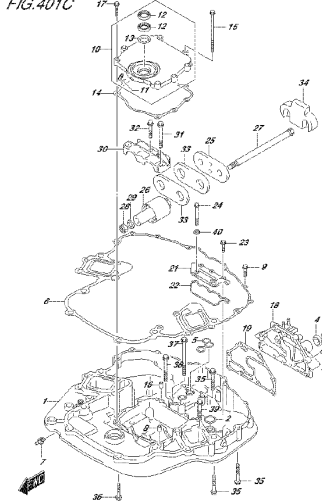
DP391 ELL 016 401A
FINNME H0329P

FIG.401B



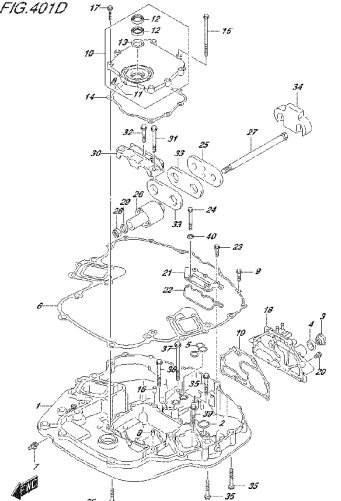
DP391 ELL 016 401B
FINNME H0329P

FIG.401C



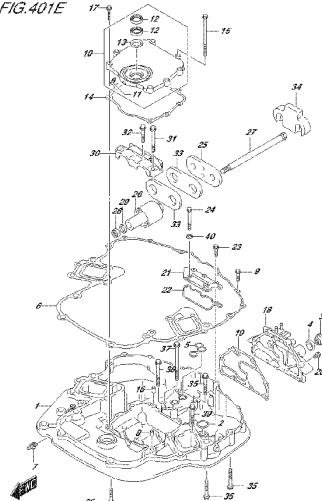
DP391 ELL 016 401C
FINNME H0329P

FIG.401D



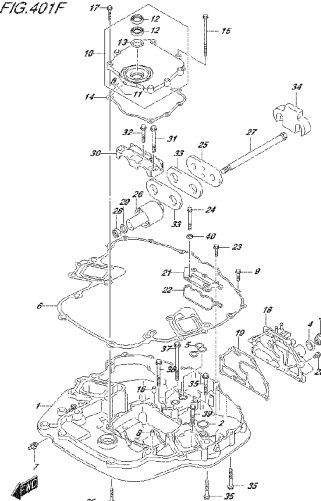
DP391 ELL 016 401D
FINNME H0329P

FIG.401E



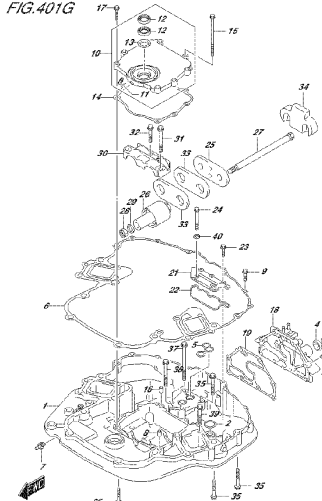
DP391 ELL 016 401E
FINNME H0329P

FIG.401F



DP391 ELL 016 401F
FINNME H0329P

FIG.401G



DP391 ELL 016 401G
FINNME H0329P

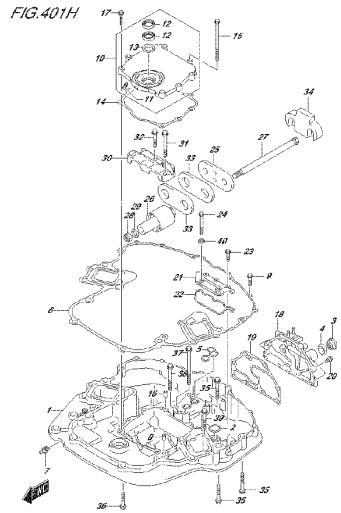


FIG. 401H
 DP39, ED1, 016, 401H
 ©2006 HOBAS

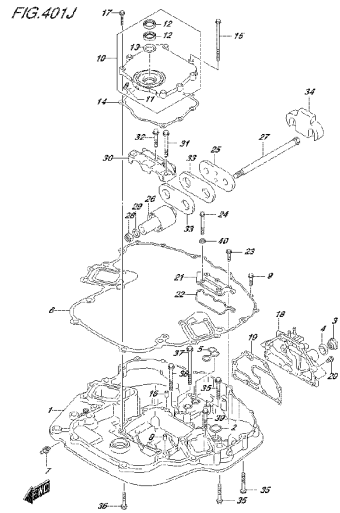


FIG. 401J
 DP39, ED1, 016, 401J
 ©2006 HOBAS

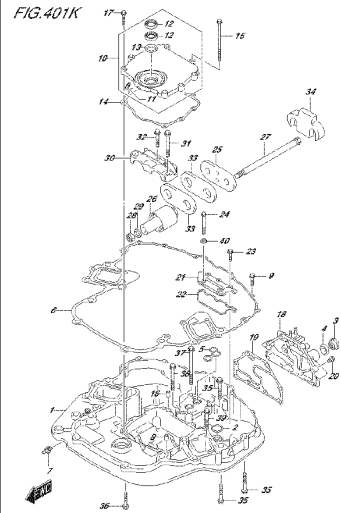


FIG. 401K
 DP39, ED1, 016, 401K
 ©2006 HOBAS

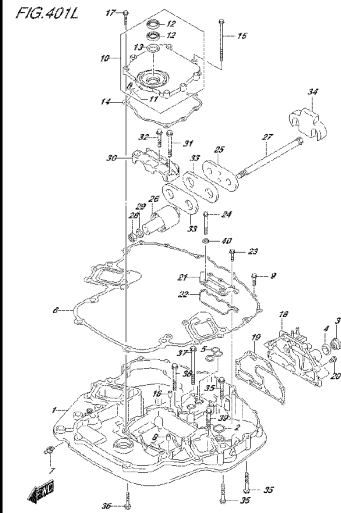


FIG. 401L
 DP39, ED1, 016, 401L
 ©2006 HOBAS

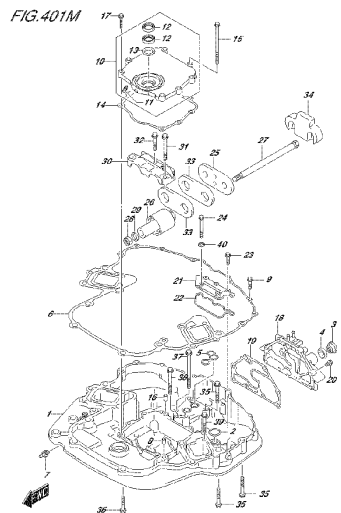


FIG. 401M
 DP39, ED1, 016, 401M
 ©2006 HOBAS

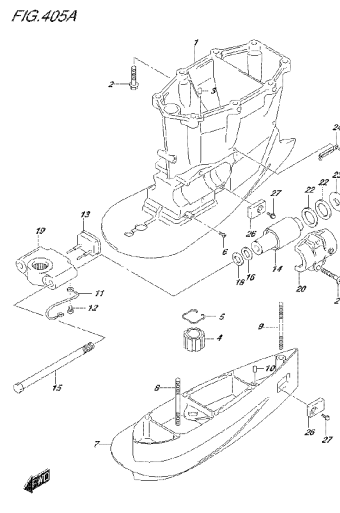


FIG. 405A
 DP39, ED1, 016, 405A
 ©2006 HOBAS

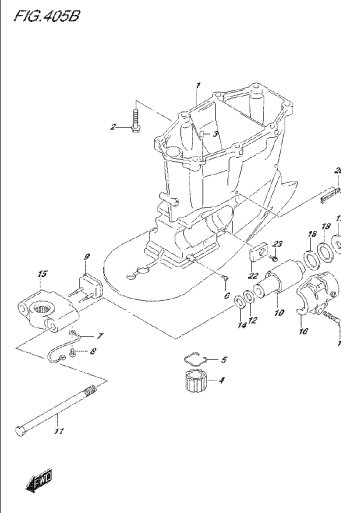


FIG. 405B
 DP39, ED1, 016, 405B
 ©2006 HOBAS

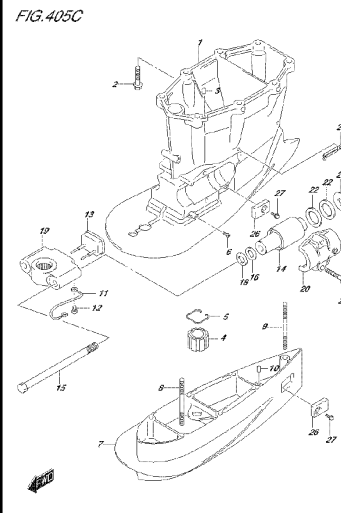
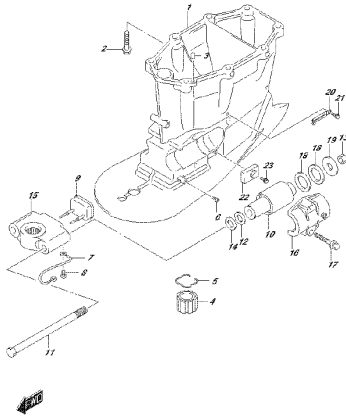


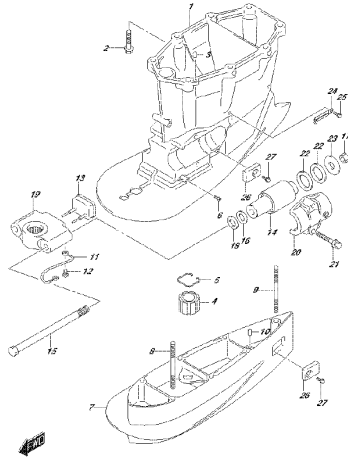
FIG. 405C
 DP39, ED1, 016, 405C
 ©2006 HOBAS

FIG.405D



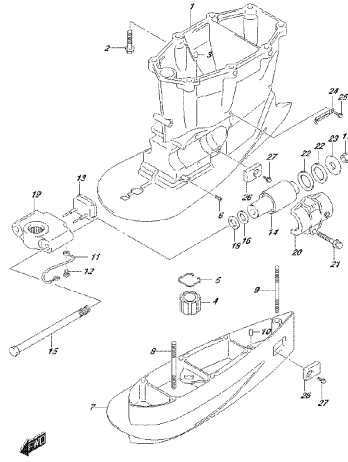
DF391 ED1.5/6 405D
196145-30447 1/2018/2012

FIG.405E



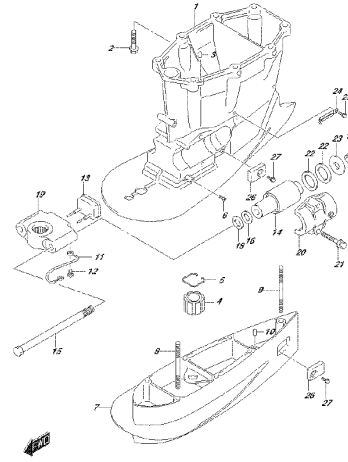
DF391 ED1.5/6 405E
196145-30447 1/2018/2012

FIG.405F



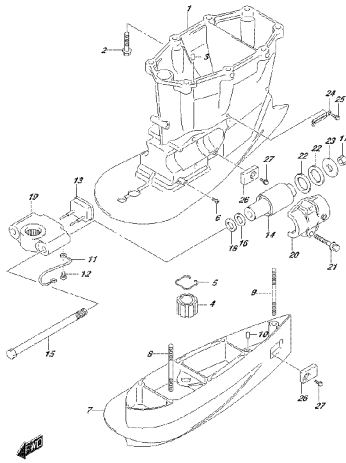
DF391 ED1.5/6 405F
196145-30447 1/2018/2012

FIG.405G



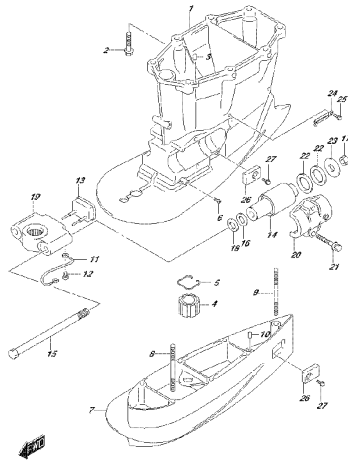
DF391 ED1.5/6 405G
196145-30447 1/2018/2012

FIG.405H



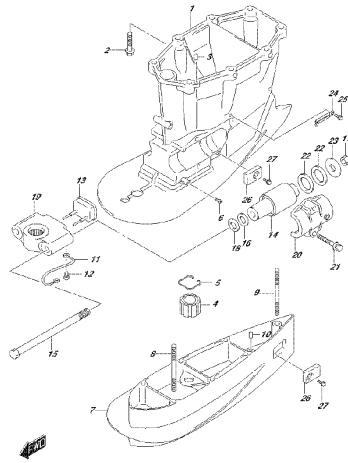
DF391 ED1.5/6 405H
196145-30447 1/2018/2012

FIG.405J



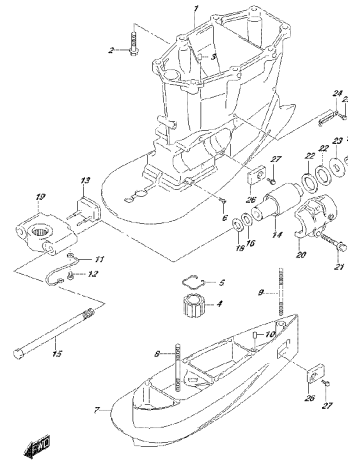
DF391 ED1.5/6 405J
196145-30447 1/2018/2012

FIG.405K



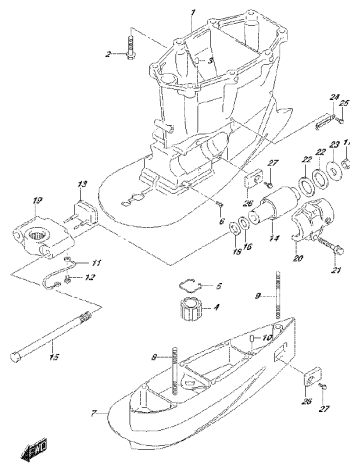
DF391 ED1.5/6 405K
196145-30447 1/2018/2012

FIG.405L



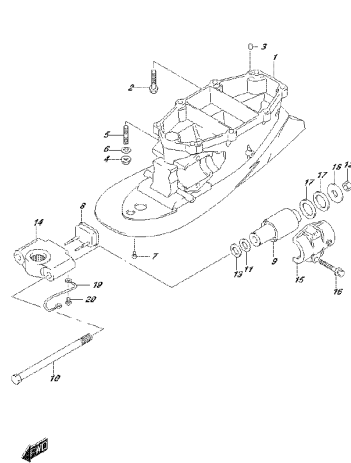
DF391 ED1.5/6 405L
196145-30447 1/2018/2012

FIG.405M



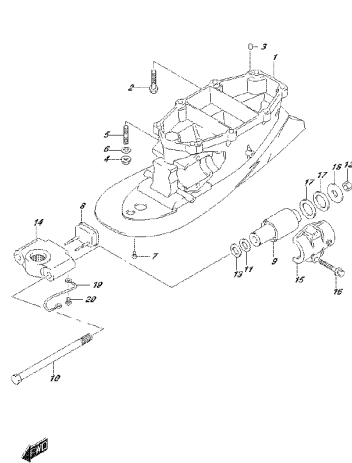
DP391 EBL 016 405M
©2012 3M-471 1-2012/01/2

FIG.405N



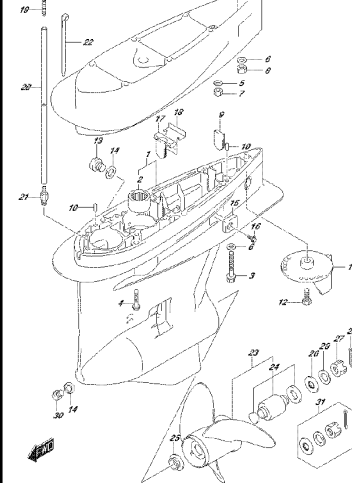
DP391 EBL 016 405N
©2012 3M-471 1-2012/01/2

FIG.405P



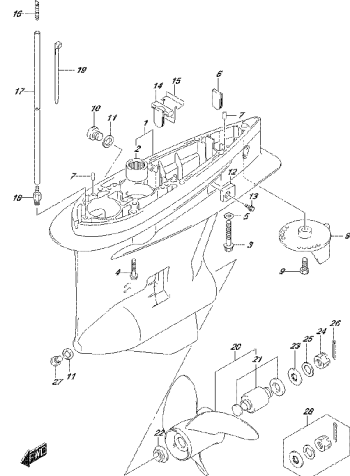
DP391 EBL 016 405P
©2012 3M-471 1-2012/01/2

FIG.407A



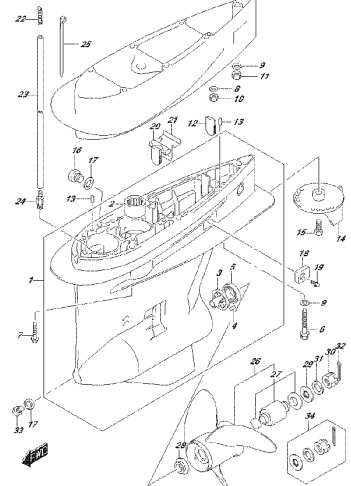
DP391 EBL 016 407A
©2012 3M-471 1-2012/01/2

FIG.407B



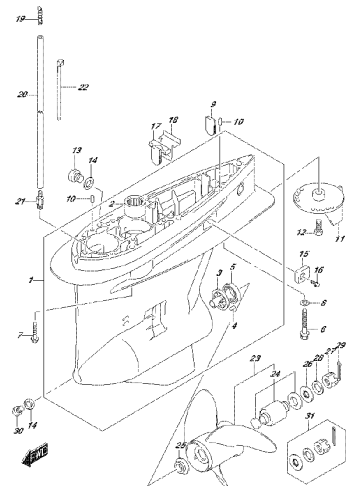
DP391 EBL 016 407B
©2012 3M-471 1-2012/01/2

FIG.407C



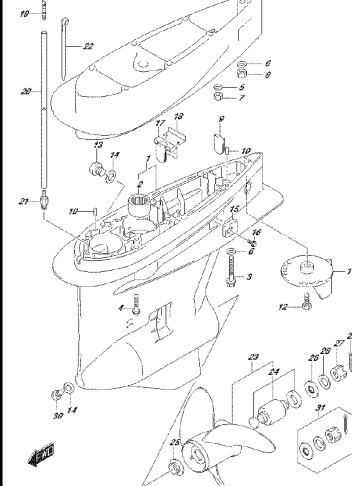
DP391 EBL 016 407C
©2012 3M-471 1-2012/01/2

FIG.407D



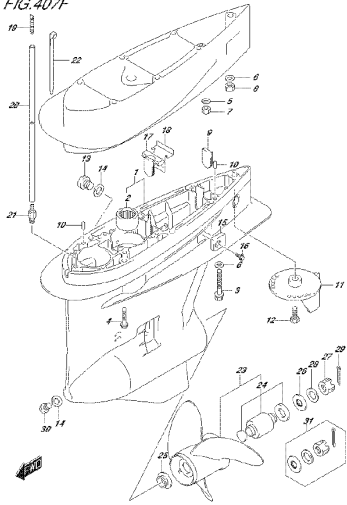
DP391 EBL 016 407D
©2012 3M-471 1-2012/01/2

FIG.407E



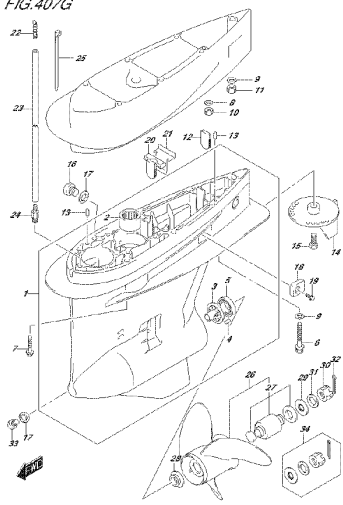
DP391 EBL 016 407E
©2012 3M-471 1-2012/01/2

FIG.407F



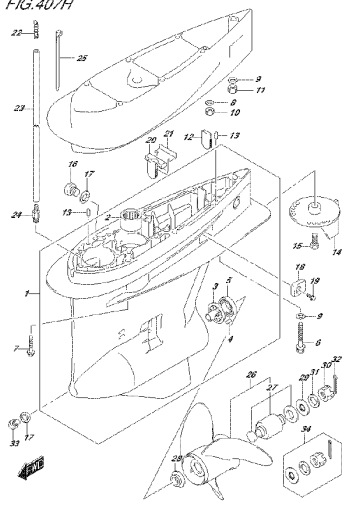
DP391 ELL 016 407
GEARCASE

FIG.407G



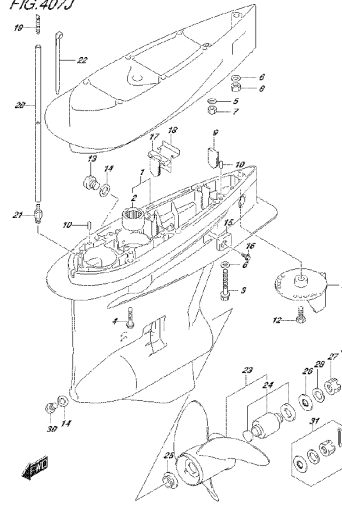
DP391 ELL 016 407
GEARCASE

FIG.407H



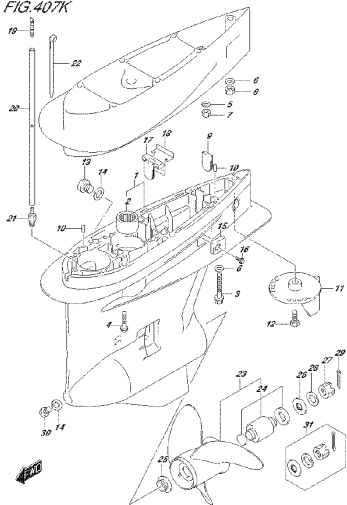
DP391 ELL 016 407
GEARCASE

FIG.407J



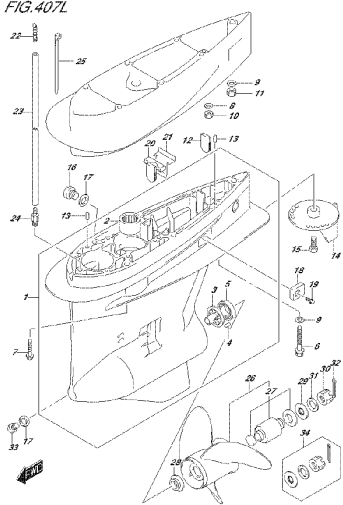
DP391 ELL 016 407
GEARCASE

FIG.407K



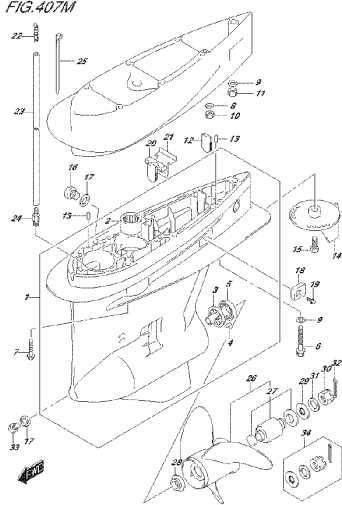
DP391 ELL 016 407
GEARCASE

FIG.407L



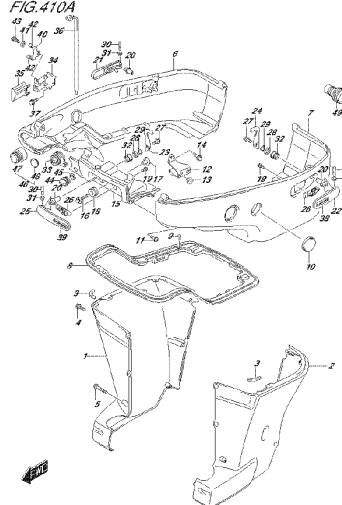
DP391 ELL 016 407
GEARCASE

FIG.407M

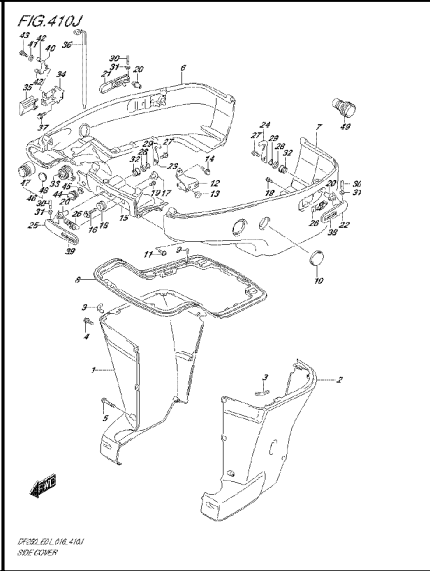
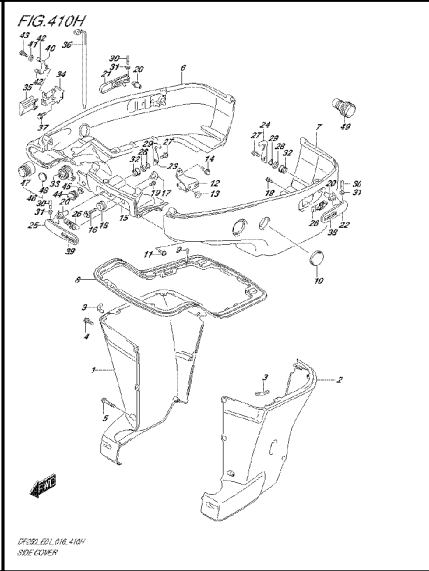
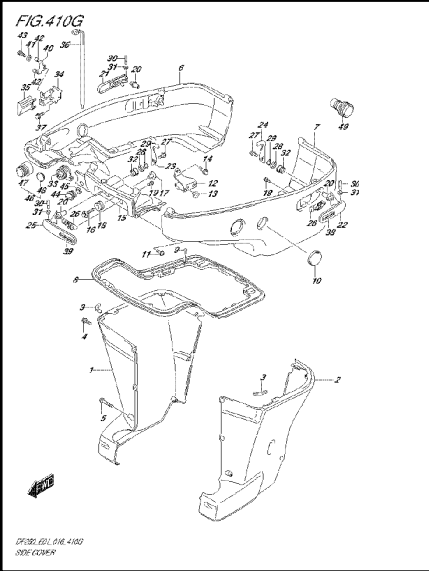
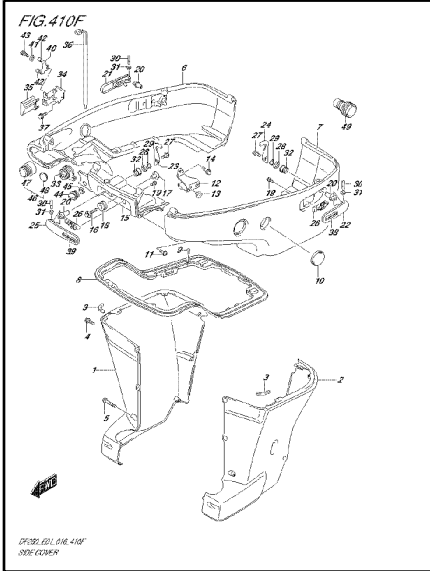
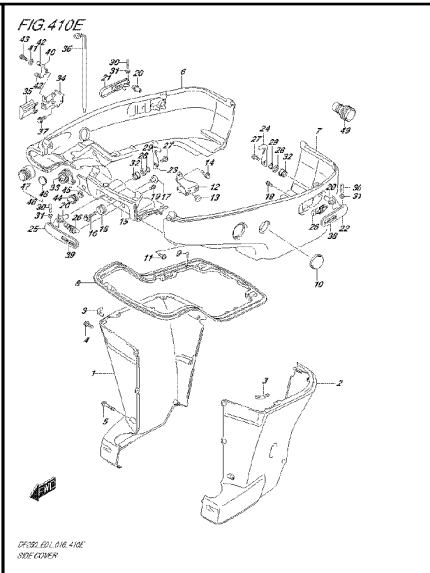
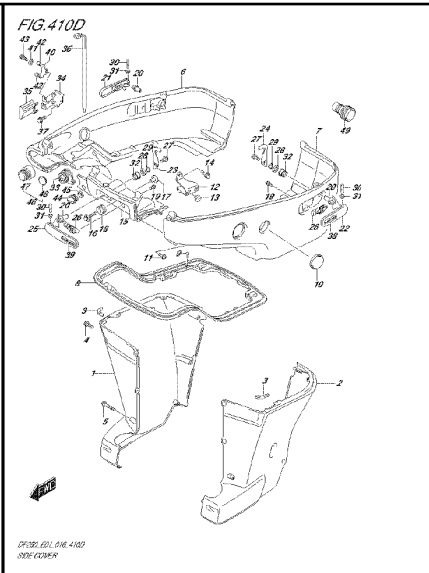
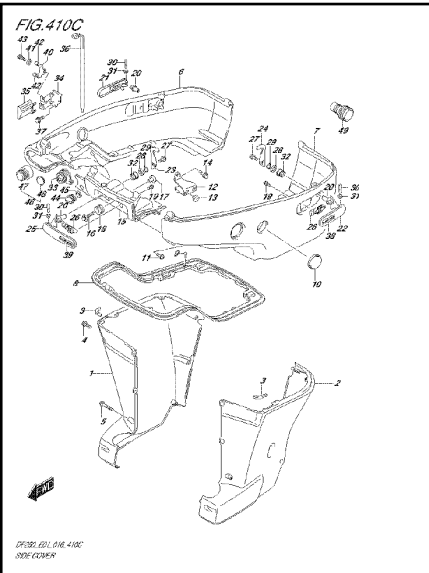
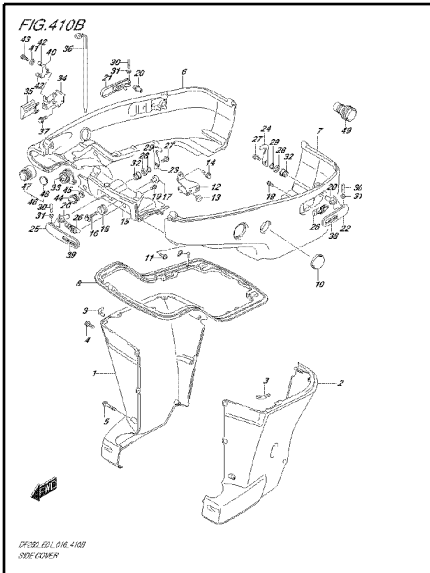


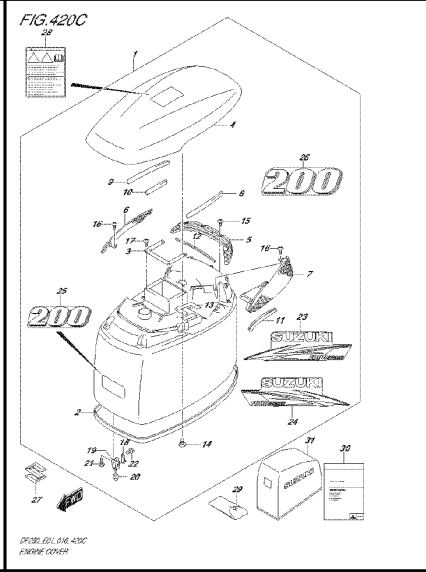
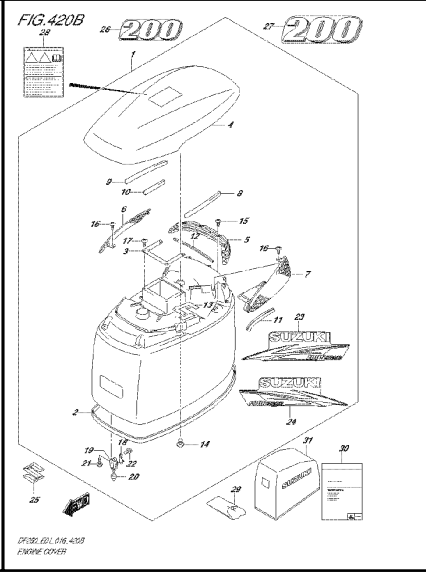
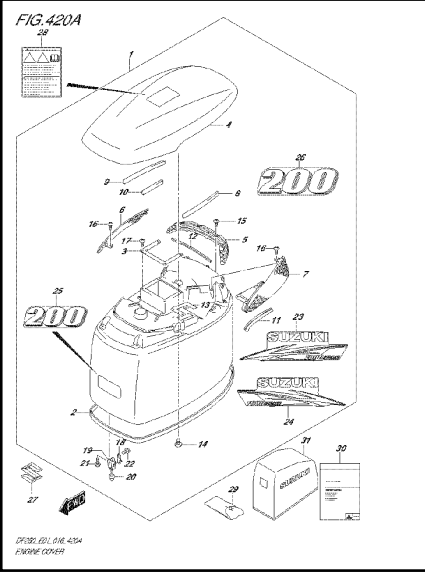
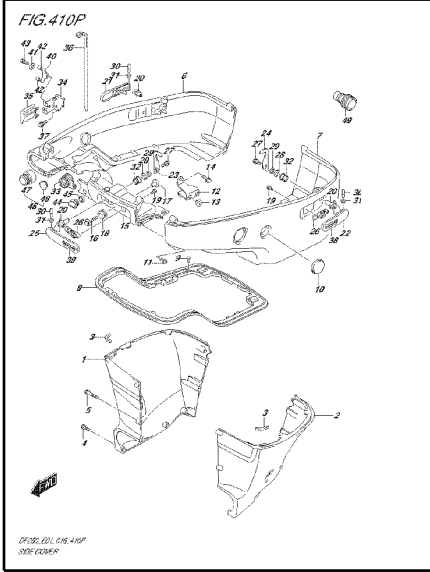
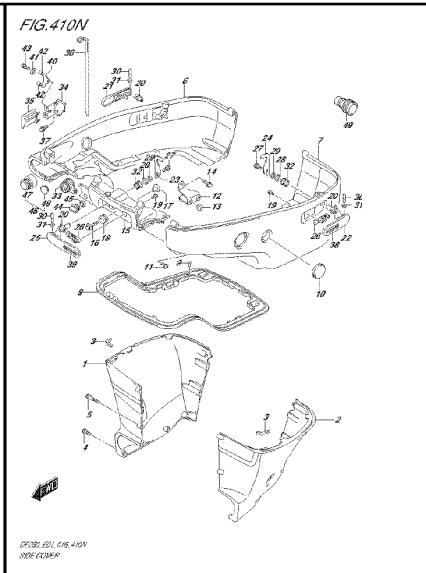
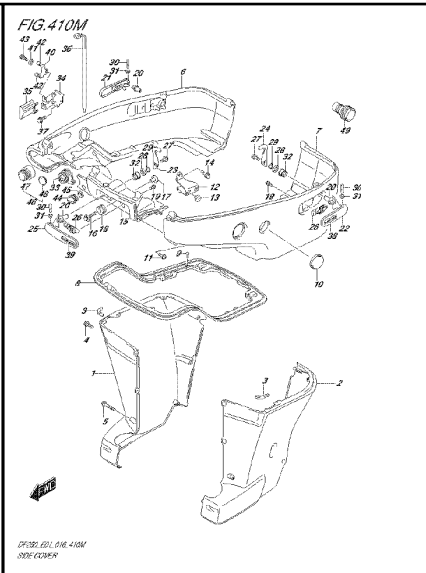
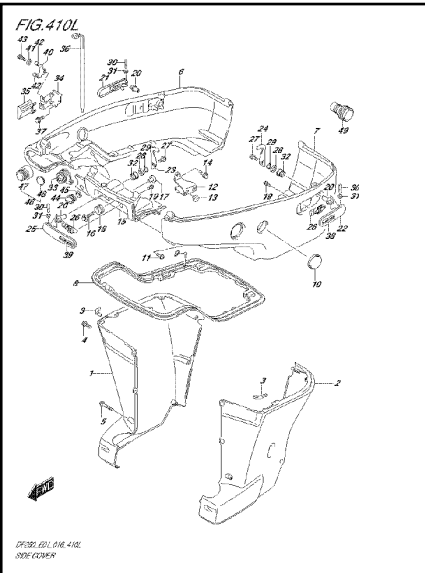
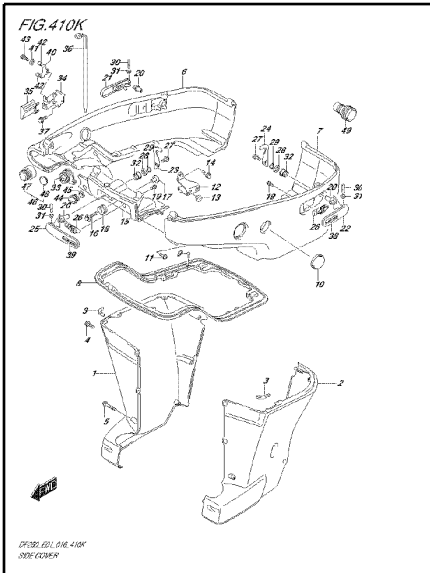
DP391 ELL 016 407
GEARCASE

FIG.410A



DP391 ELL 016 410A
SIRE ELDOR





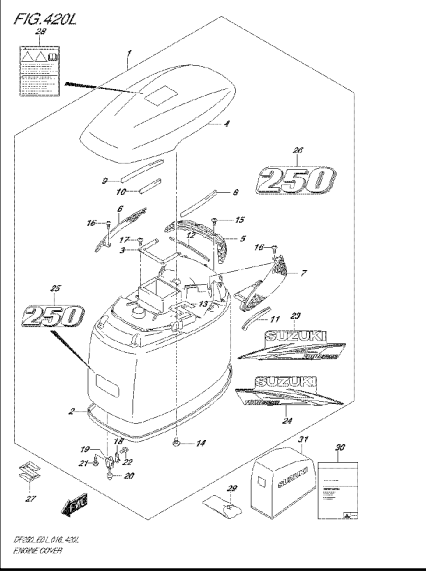
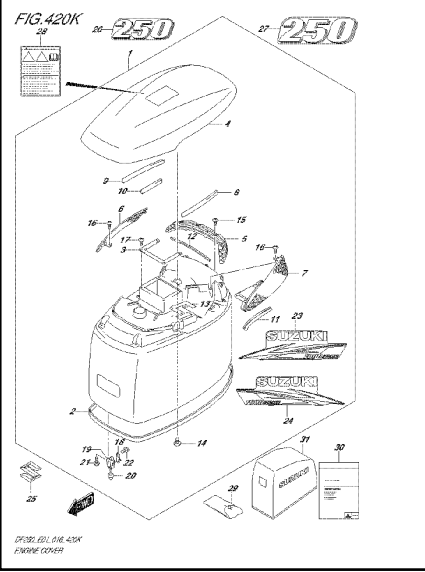
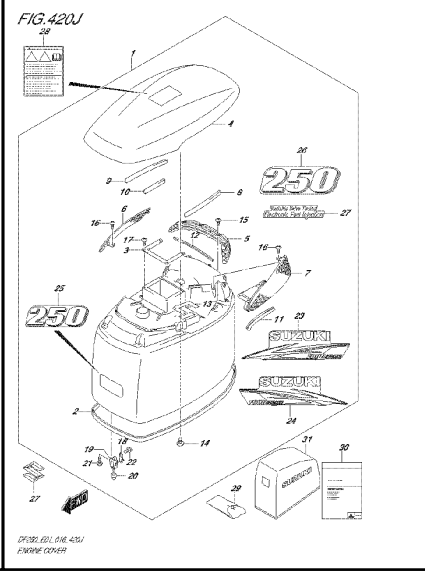
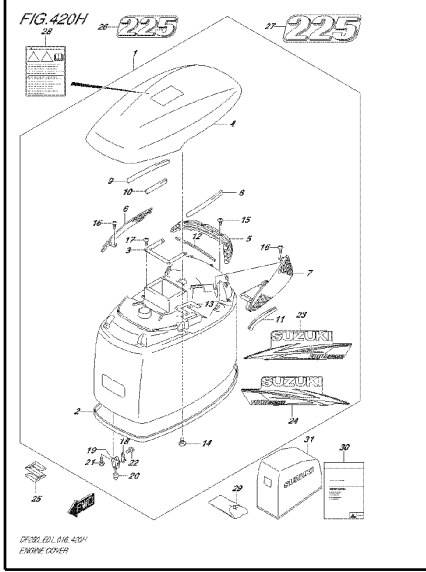
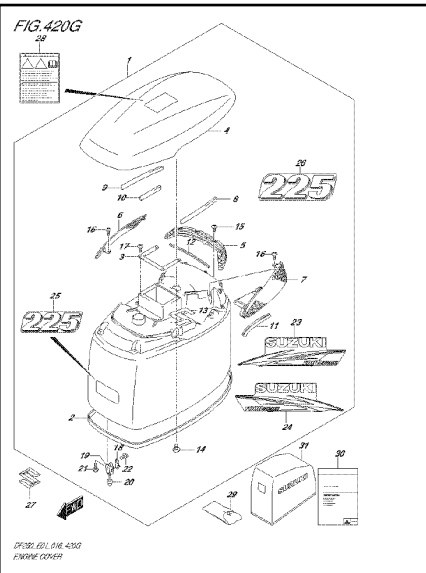
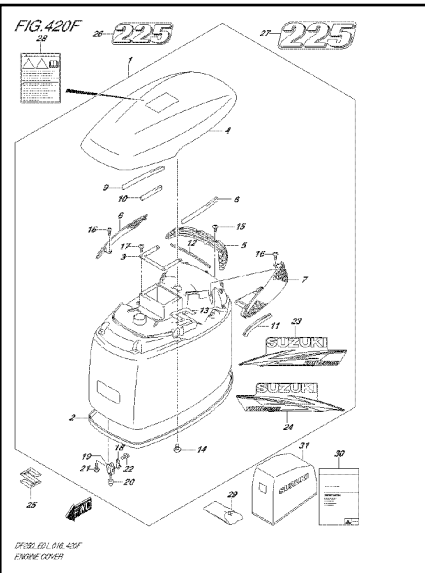
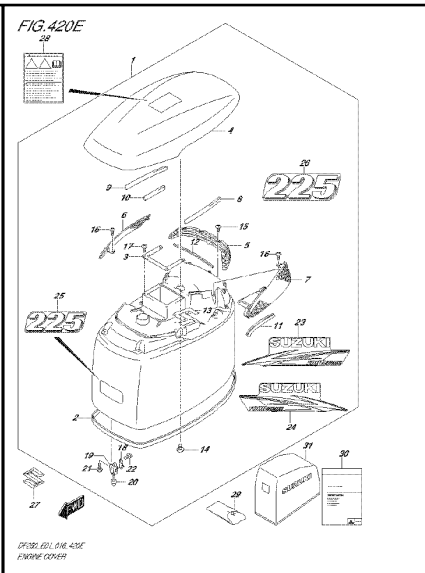
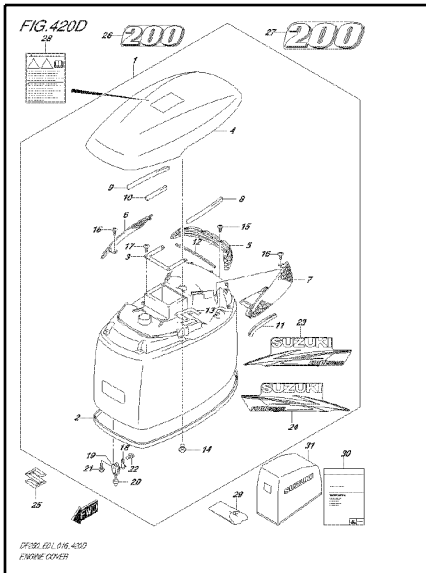
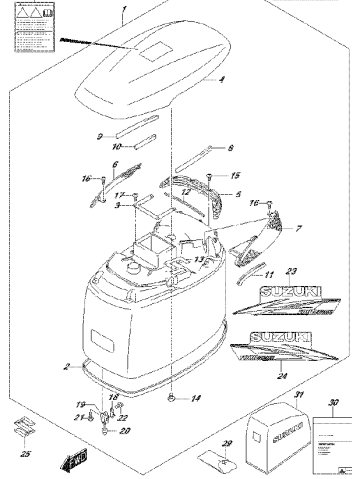
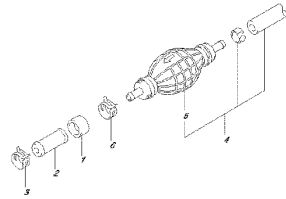


FIG. 420M 250 250



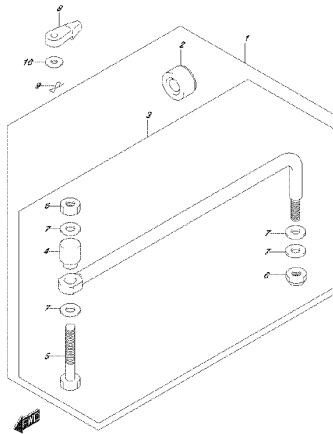
DP391, ED1, 016, 420M
EXPLODED VIEW

FIG. 430A



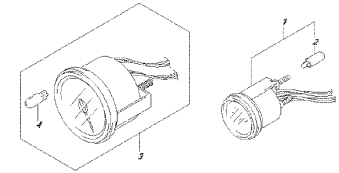
DP391, ED1, 016, 430A
P.L. VIEW

FIG. 442A



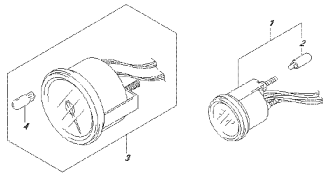
DP391, ED1, 016, 442A
FRONT VIEW

FIG. 460A



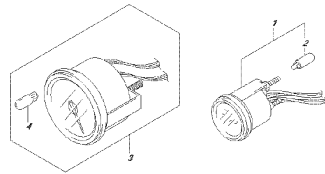
DP391, ED1, 016, 460A
METER

FIG. 460B



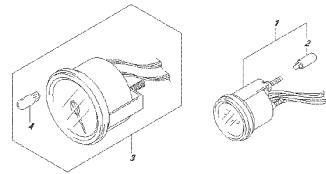
DP391, ED1, 016, 460B
METER

FIG. 460C



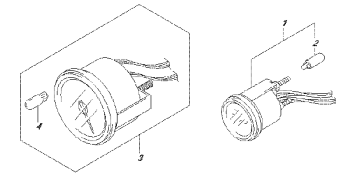
DP391, ED1, 016, 460C
METER

FIG. 460D



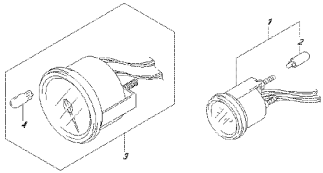
DP391, ED1, 016, 460D
METER

FIG. 460E



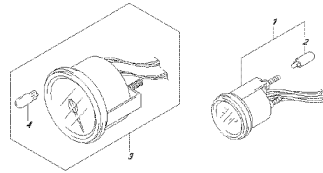
DP391, ED1, 016, 460E
METER

FIG.460F



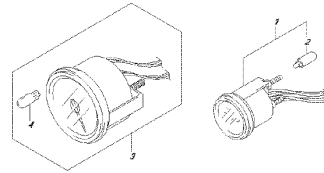
DP391, EEL1, 016, 480F
METER

FIG.460G



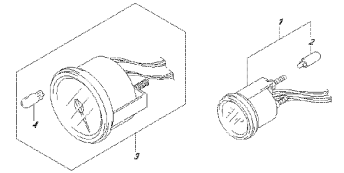
DP391, EEL1, 016, 480G
METER

FIG.460H



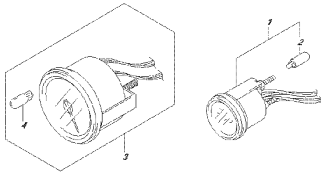
DP391, EEL1, 016, 480H
METER

FIG.460J



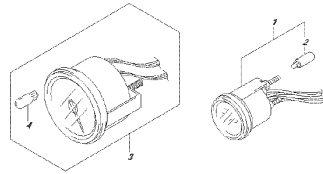
DP391, EEL1, 016, 480J
METER

FIG.460K



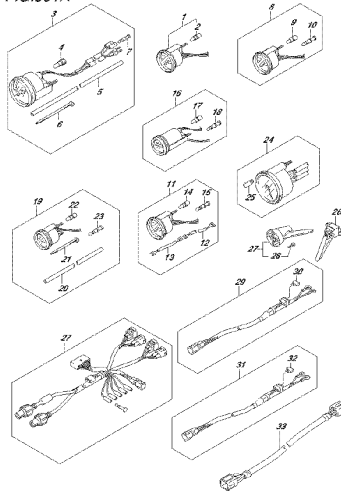
DP391, EEL1, 016, 480K
METER

FIG.460L



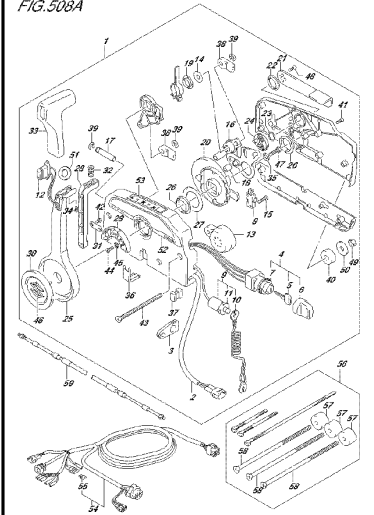
DP391, EEL1, 016, 480L
METER

FIG.501A



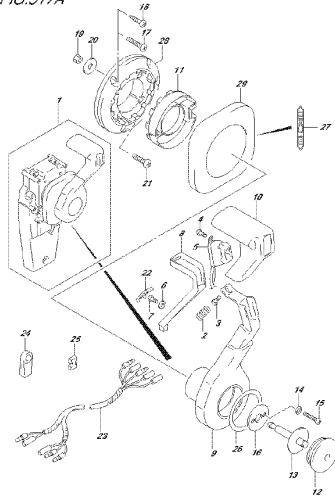
DP391, EEL1, 016, 001A
OPT.METERS

FIG.508A



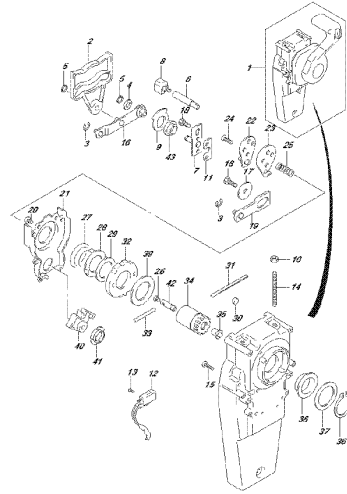
DP391, EEL1, 016, 008A
OPT.METERS CONTROL

FIG.517A



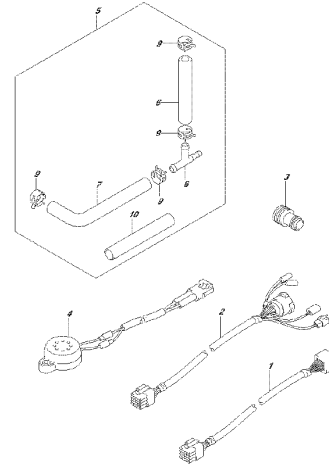
DP391 E2L1.016.014
OPT HEAD/TE CONTROL ASSY (1)

FIG.518A



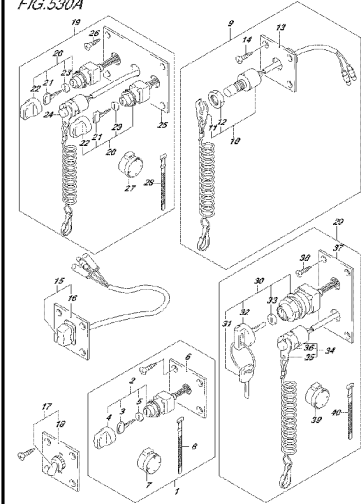
DP391 E2L1.016.014
OPT HEAD/TE CONTROL ASSY (2)

FIG.521A



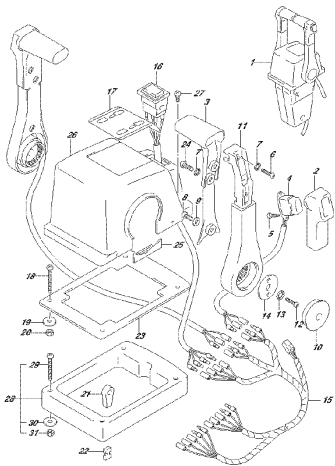
DP391 E2L1.016.014
OPT HEAD/TE CONTROL ASSY (3)

FIG.530A



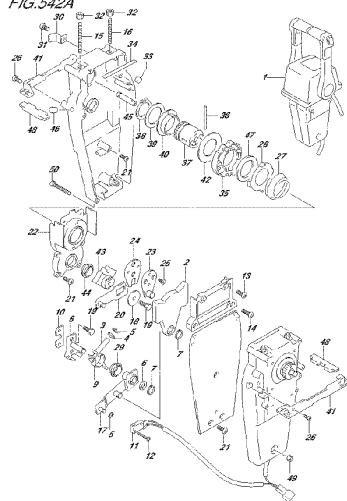
DP391 E2L1.016.014
OPT HEAD/TE CONTROL ASSY (4)

FIG.541A



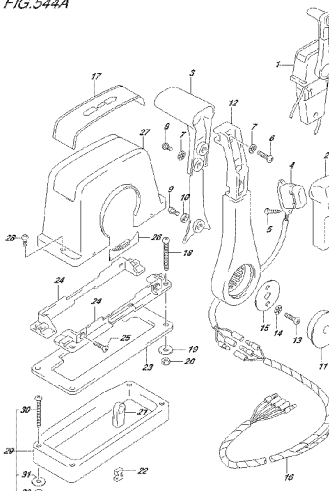
DP391 E2L1.016.014
OPT HEAD/TE CONTROL ASSY (1) (1)

FIG.542A



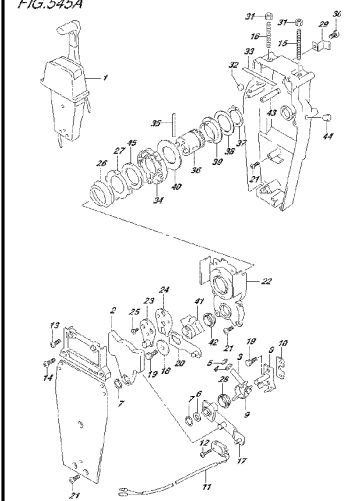
DP391 E2L1.016.014
OPT HEAD/TE CONTROL ASSY (1) (2)

FIG.544A



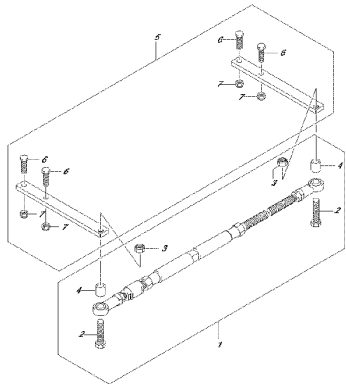
DP391 E2L1.016.014
OPT HEAD/TE CONTROL ASSY (SHIELD) (1)

FIG.545A



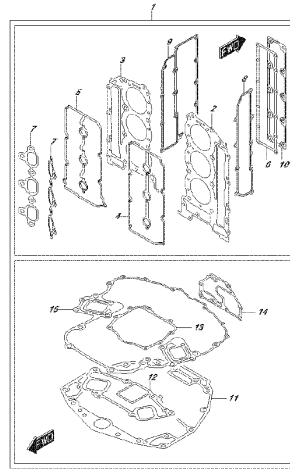
DP391 E2L1.016.014
OPT HEAD/TE CONTROL ASSY (SHIELD) (2)

FIG.573A



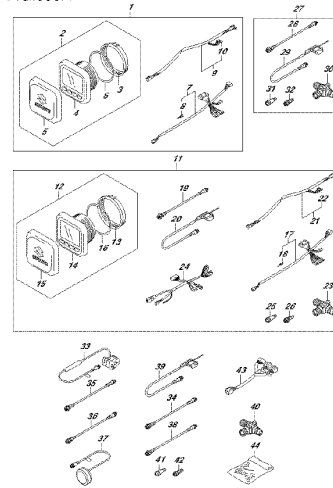
DEP. 01.01.834
OPT. 10/402

FIG.585A



DEP. 01.01.834
OPT. 10/402

FIG.600A



DEP. 01.01.834
OPT. ALL FUNCTION/VALVE

FIG.111A

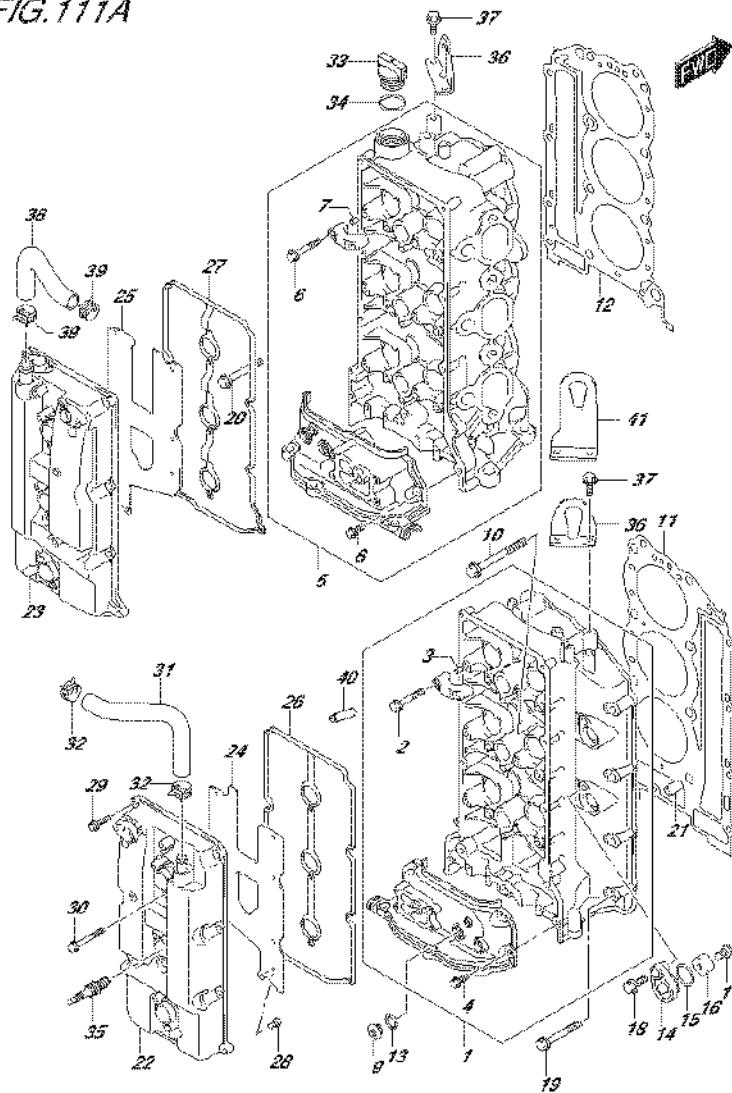


FIG.111A (1-B-2) CYLINDER HEAD (DF200T E01)

REF NO.	PART NO.	DESCRIPTION	Q'TY	REMARKS
1	11101-93J13	HEAD ASSY, CYLINDER STBD	1	
2	11128-90J00	.BOLT, CAM SHAFT HOUSING	16	
3	09206-08001	.PIN (8X11)	14	
4	01550-06207	.BOLT	4	
5	11103-93J13	HEAD ASSY, CYLINDER PORT	1	
6	11128-90J00	.BOLT, CAM SHAFT HOUSING	16	
7	09206-08001	.PIN (8X11)	14	
8	01550-06207	.BOLT	2	
9	11116-93J01	PLUG	4	
10	11119-93J00	BOLT	16	
11	11141-93J10	GASKET, CYL HEAD STBD	1	
12	11142-93J10	GASKET, CYL HEAD PORT	1	
13	09168-16009	GASKET (16X22X0.8)	4	
14	11261-93J00	COVER, PROTECTION ANODE	4	
15	09280-22019	O RING (D:1.9,ID:21.8)	4	
16	55321-87J01	ANODE, PROTECTION	4	
17	09103-06281	BOLT (6X14)	4	
18	01550-08207	BOLT	4	
19	01550-08607	BOLT	5	STBD
20	01550-08607	BOLT	4	PORT
21	09206-14004	PIN (14X11.4X23)	4	
22	11170-93J01	COVER, CYL HEAD STBD	1	
23	11180-93J02	COVER, CYLINDER HEAD PORT	1	
24	11173-93J00	PLATE, BREATHER STBD	1	
25	11183-93J00	PLATE, BREATHER PORT	1	
26	11179-93J00	GASKET, CYL HEAD COVER STBD	1	
27	11189-93J00	GASKET, CYL HEAD COVER PORT	1	
28	02112-0612A	SCREW	14	
29	01547-06257	BOLT	16	
30	01547-06507	BOLT	6	
31	11174-93J00	HOSE, BREATHER	1	
32	09401-18410	CLIP	2	
33	11382-93J00	CAP, OIL FILLER	1	
34	09280-26006	O RING (D:3.1,ID:26.4)	1	

FIG.111A

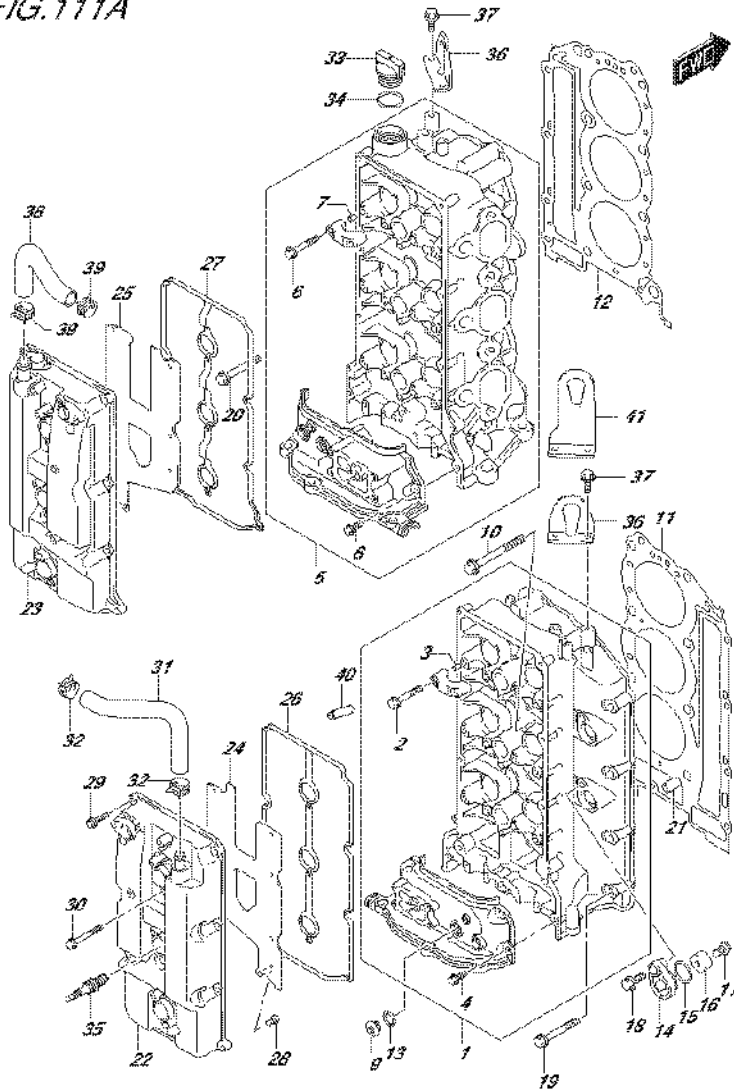


FIG.111A (1-B-3) CYLINDER HEAD (DF200T E01)

REF NO.	PART NO.	DESCRIPTION	Q'TY	REMARKS
35	09482-00427	SPARK PLUG (BKR6E)	6	NGK
36	11291-93J00	HOOK, ENGINE	2	
37	01550-08207	BOLT	4	
38	11184-93J00	HOSE, BREATHER	1	
39	09401-18410	CLIP	2	
40	11115-93J10-001	GUIDE, VALVE (OS)	24	OPT
41	11291-98J00	HOOK, ENGINE	1	OPT

FIG.111B

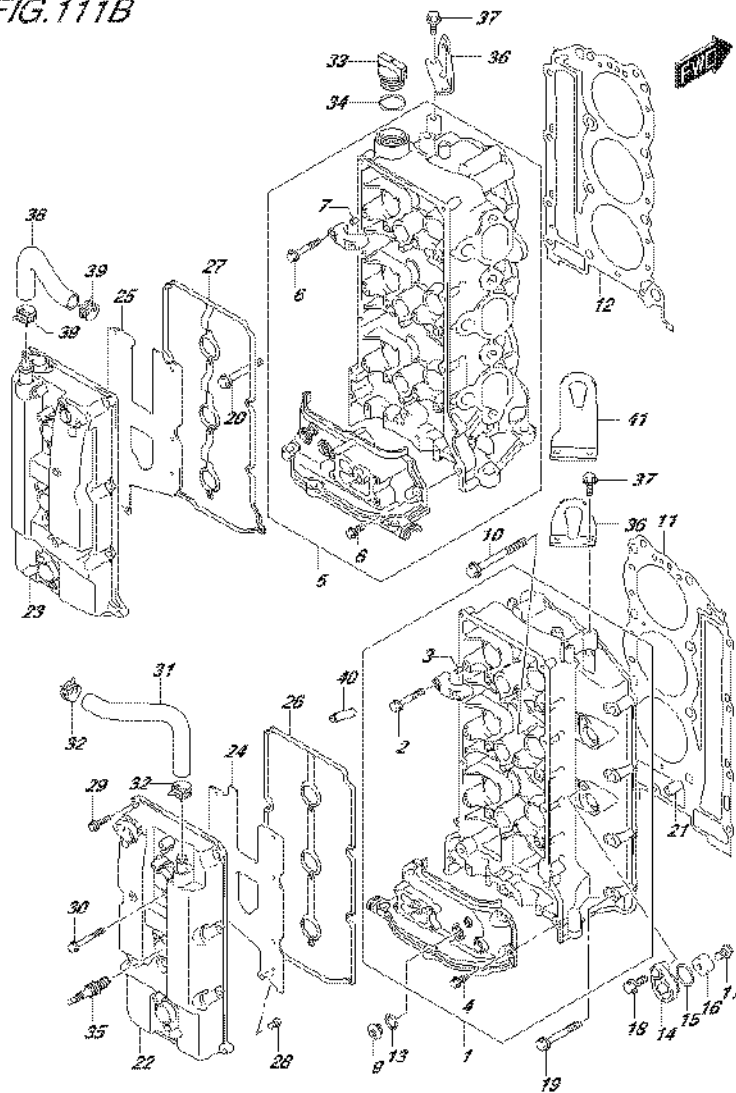


FIG.111B (1-B-4) CYLINDER HEAD (DF200T E40)

REF NO.	PART NO.	DESCRIPTION	Q'TY	REMARKS
1	11101-93J13	HEAD ASSY, CYLINDER STBD	1	
2	11128-90J00	.BOLT, CAM SHAFT HOUSING	16	
3	09206-08001	.PIN (8X11)	14	
4	01550-06207	.BOLT	4	
5	11103-93J13	HEAD ASSY, CYLINDER PORT	1	
6	11128-90J00	.BOLT, CAM SHAFT HOUSING	16	
7	09206-08001	.PIN (8X11)	14	
8	01550-06207	.BOLT	2	
9	11116-93J01	PLUG	4	
10	11119-93J00	BOLT	16	
11	11141-93J10	GASKET, CYL HEAD STBD	1	
12	11142-93J10	GASKET, CYL HEAD PORT	1	
13	09168-16009	GASKET (16X22X0.8)	4	
14	11261-93J00	COVER, PROTECTION ANODE	4	
15	09280-22019	O RING (D:1.9,ID:21.8)	4	
16	55321-87J01	ANODE, PROTECTION	4	
17	09103-06281	BOLT (6X14)	4	
18	01550-08207	BOLT	4	
19	01550-08607	BOLT	5	STBD
20	01550-08607	BOLT	4	PORT
21	09206-14004	PIN (14X11.4X23)	4	
22	11170-93J01	COVER, CYL HEAD STBD	1	
23	11180-93J02	COVER, CYLINDER HEAD PORT	1	
24	11173-93J00	PLATE, BREATHER STBD	1	
25	11183-93J00	PLATE, BREATHER PORT	1	
26	11179-93J00	GASKET, CYL HEAD COVER STBD	1	
27	11189-93J00	GASKET, CYL HEAD COVER PORT	1	
28	02112-0612A	SCREW	14	
29	01547-06257	BOLT	16	
30	01547-06507	BOLT	6	
31	11174-93J00	HOSE, BREATHER	1	
32	09401-18410	CLIP	2	
33	11382-93J00	CAP, OIL FILLER	1	
34	09280-26006	O RING (D:3.1,ID:26.4)	1	

FIG.111B

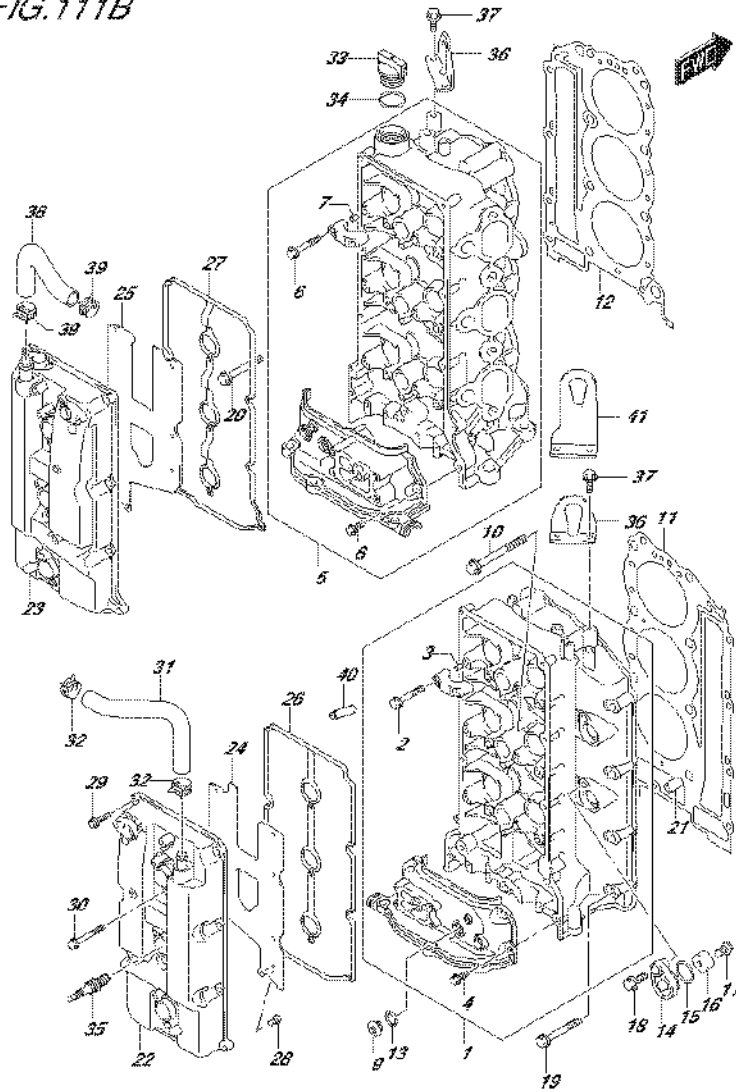


FIG.111B (1-B-5) CYLINDER HEAD (DF200T E40)

REF NO.	PART NO.	DESCRIPTION	Q'TY	REMARKS
35	09482-00427	SPARK PLUG (BKR6E)	6	NGK
36	11291-93J00	HOOK, ENGINE	2	
37	01550-08207	BOLT	4	
38	11184-93J00	HOSE, BREATHER	1	
39	09401-18410	CLIP	2	
40	11115-93J10-001	GUIDE, VALVE (OS)	24	OPT
41	11291-98J00	HOOK, ENGINE	1	OPT

FIG.111C

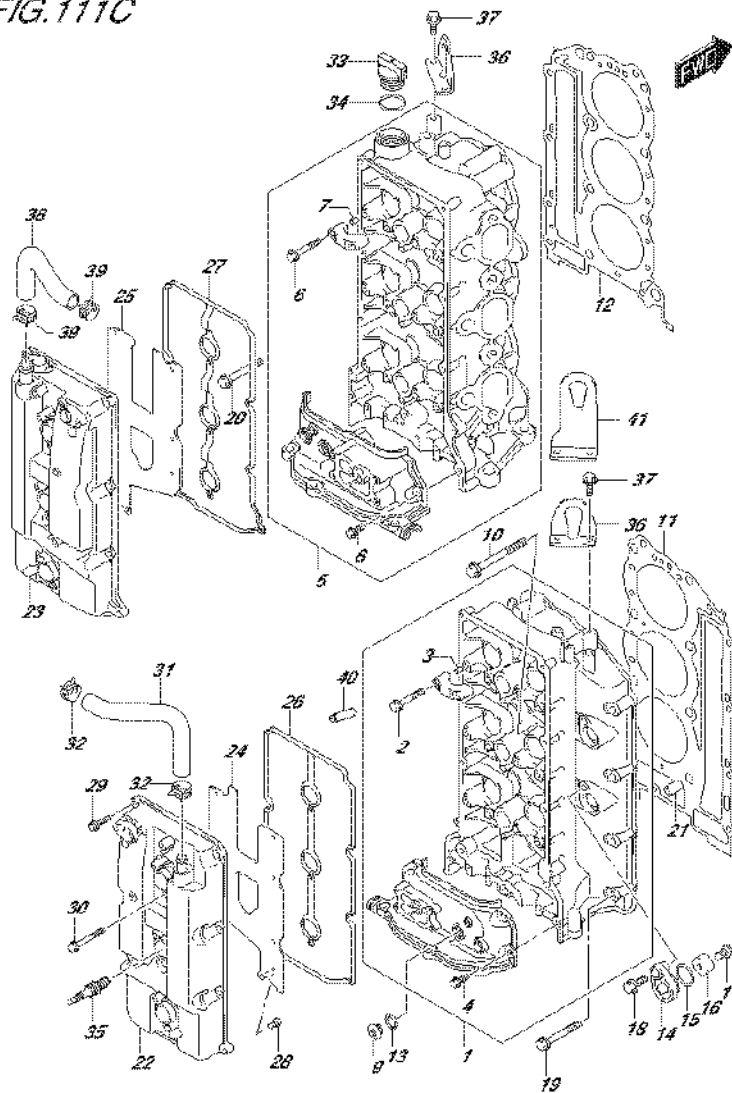


FIG.111C (1-B-6) CYLINDER HEAD (DF200Z E01)

REF NO.	PART NO.	DESCRIPTION	Q'TY	REMARKS
1	11101-93J13	HEAD ASSY, CYLINDER STBD	1	
2	11128-90J00	.BOLT, CAM SHAFT HOUSING	16	
3	09206-08001	.PIN (8X11)	14	
4	01550-06207	.BOLT	4	
5	11103-93J13	HEAD ASSY, CYLINDER PORT	1	
6	11128-90J00	.BOLT, CAM SHAFT HOUSING	16	
7	09206-08001	.PIN (8X11)	14	
8	01550-06207	.BOLT	2	
9	11116-93J01	PLUG	4	
10	11119-93J00	BOLT	16	
11	11141-93J10	GASKET, CYL HEAD STBD	1	
12	11142-93J10	GASKET, CYL HEAD PORT	1	
13	09168-16009	GASKET (16X22X0.8)	4	
14	11261-93J00	COVER, PROTECTION ANODE	4	
15	09280-22019	O RING (D:1.9,ID:21.8)	4	
16	55321-87J01	ANODE, PROTECTION	4	
17	09103-06281	BOLT (6X14)	4	
18	01550-08207	BOLT	4	
19	01550-08607	BOLT	5	STBD
20	01550-08607	BOLT	4	PORT
21	09206-14004	PIN (14X11.4X23)	4	
22	11170-93J01	COVER, CYL HEAD STBD	1	
23	11180-93J02	COVER, CYLINDER HEAD PORT	1	
24	11173-93J00	PLATE, BREATHER STBD	1	
25	11183-93J00	PLATE, BREATHER PORT	1	
26	11179-93J00	GASKET, CYL HEAD COVER STBD	1	
27	11189-93J00	GASKET, CYL HEAD COVER PORT	1	
28	02112-0612A	SCREW	14	
29	01547-06257	BOLT	16	
30	01547-06507	BOLT	6	
31	11174-93J00	HOSE, BREATHER	1	
32	09401-18410	CLIP	2	
33	11382-93J00	CAP, OIL FILLER	1	
34	09280-26006	O RING (D:3.1,ID:26.4)	1	

FIG.111C

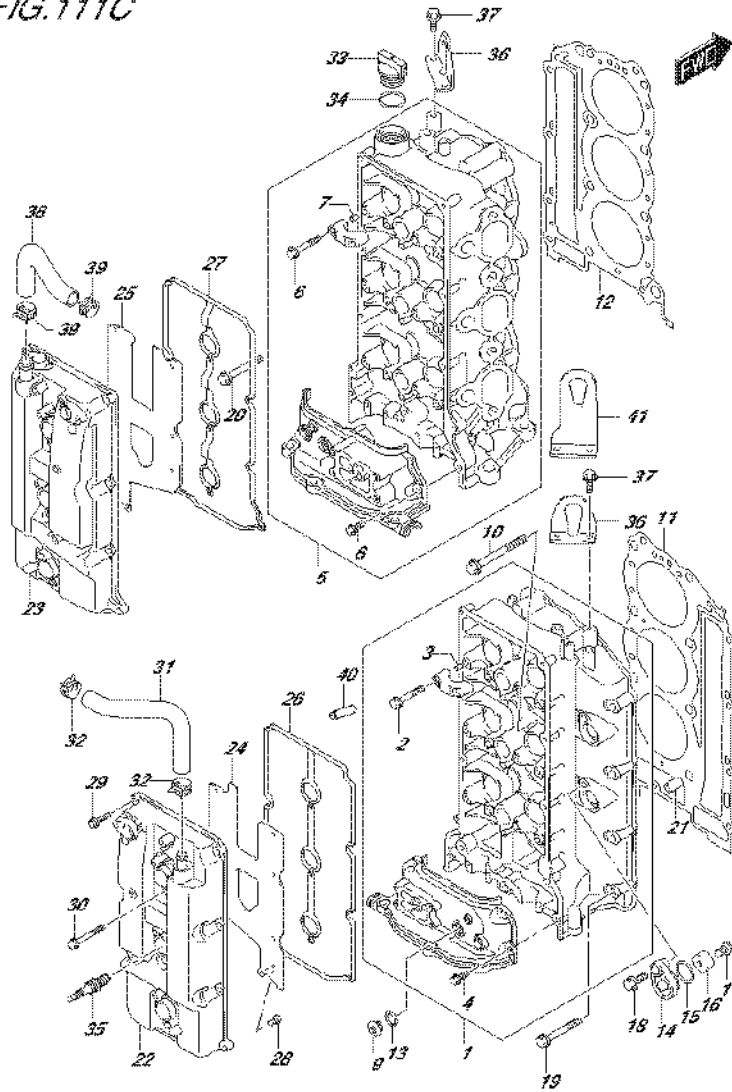


FIG.111C (1-B-7) CYLINDER HEAD (DF200Z E01)

REF NO.	PART NO.	DESCRIPTION	Q'TY	REMARKS
35	09482-00427	SPARK PLUG (BKR6E)	6	NGK
36	11291-93J00	HOOK, ENGINE	2	
37	01550-08207	BOLT	4	
38	11184-93J00	HOSE, BREATHER	1	
39	09401-18410	CLIP	2	
40	11115-93J10-001	GUIDE, VALVE (OS)	24	OPT
41	11291-98J00	HOOK, ENGINE	1	OPT

FIG.111D

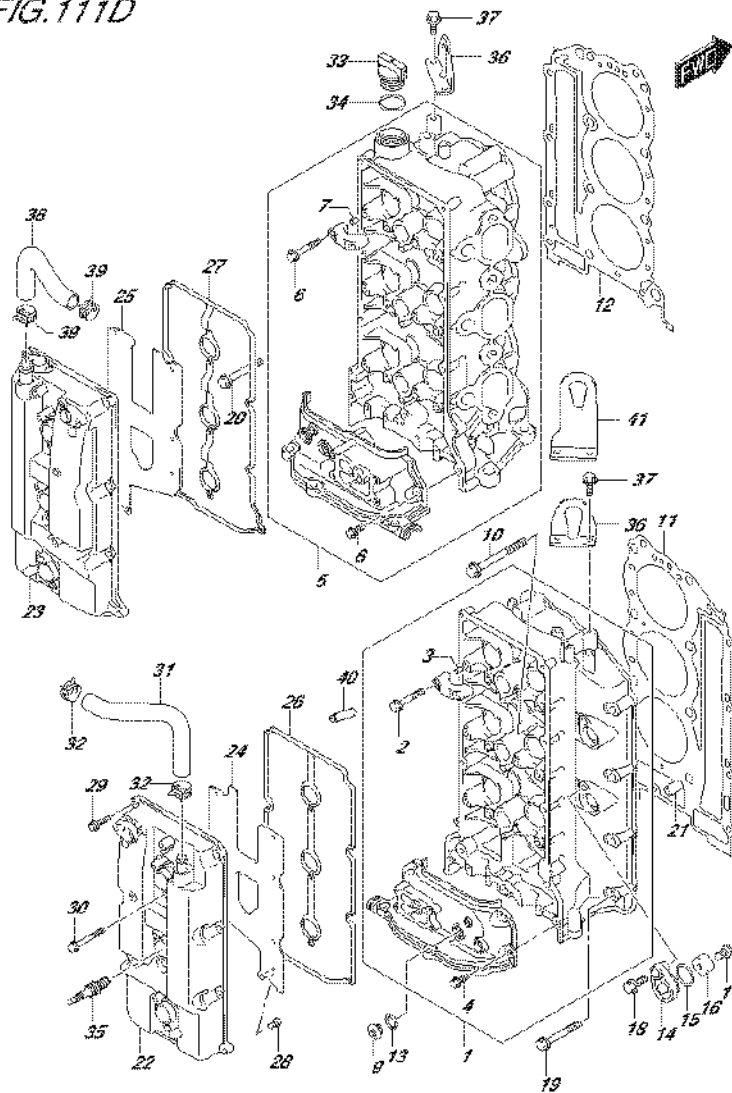
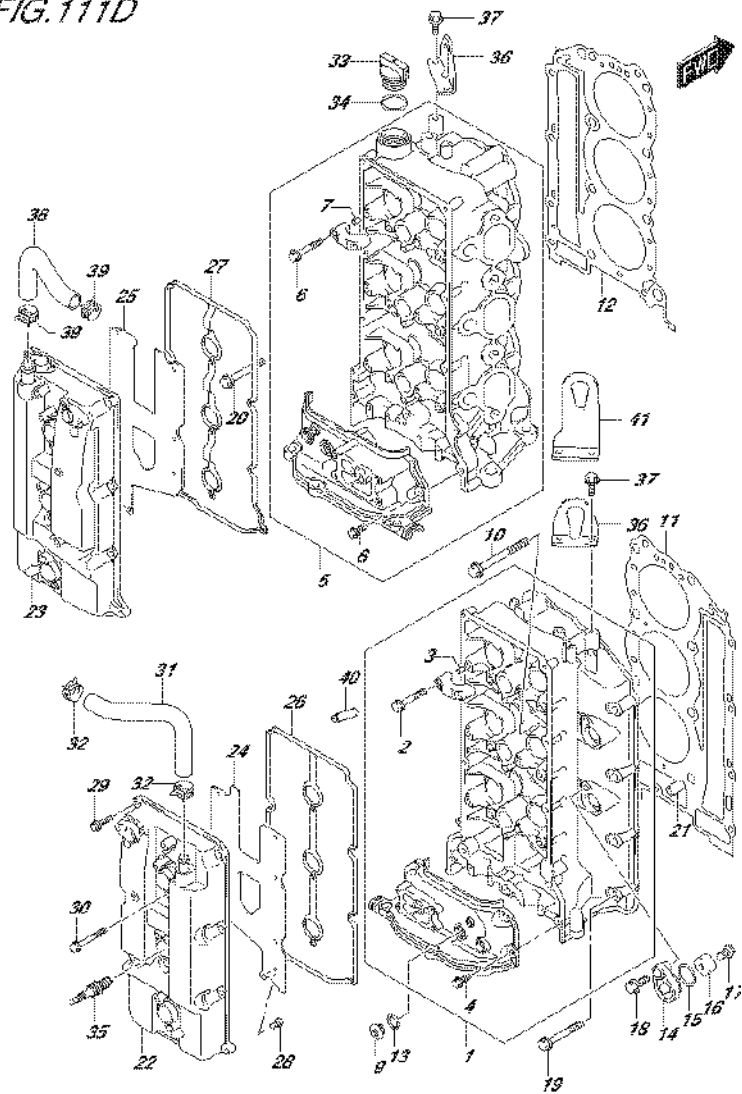


FIG.111D (1-B-8) CYLINDER HEAD (DF200Z E40)

REF NO.	PART NO.	DESCRIPTION	Q'TY	REMARKS
1	11101-93J13	HEAD ASSY, CYLINDER STBD	1	
2	11128-90J00	.BOLT, CAM SHAFT HOUSING	16	
3	09206-08001	.PIN (8X11)	14	
4	01550-06207	.BOLT	4	
5	11103-93J13	HEAD ASSY, CYLINDER PORT	1	
6	11128-90J00	.BOLT, CAM SHAFT HOUSING	16	
7	09206-08001	.PIN (8X11)	14	
8	01550-06207	.BOLT	2	
9	11116-93J01	PLUG	4	
10	11119-93J00	BOLT	16	
11	11141-93J10	GASKET, CYL HEAD STBD	1	
12	11142-93J10	GASKET, CYL HEAD PORT	1	
13	09168-16009	GASKET (16X22X0.8)	4	
14	11261-93J00	COVER, PROTECTION ANODE	4	
15	09280-22019	O RING (D:1.9,ID:21.8)	4	
16	55321-87J01	ANODE, PROTECTION	4	
17	09103-06281	BOLT (6X14)	4	
18	01550-08207	BOLT	4	
19	01550-08607	BOLT	5	STBD
20	01550-08607	BOLT	4	PORT
21	09206-14004	PIN (14X11.4X23)	4	
22	11170-93J01	COVER, CYL HEAD STBD	1	
23	11180-93J02	COVER, CYLINDER HEAD PORT	1	
24	11173-93J00	PLATE, BREATHER STBD	1	
25	11183-93J00	PLATE, BREATHER PORT	1	
26	11179-93J00	GASKET, CYL HEAD COVER STBD	1	
27	11189-93J00	GASKET, CYL HEAD COVER PORT	1	
28	02112-0612A	SCREW	14	
29	01547-06257	BOLT	16	
30	01547-06507	BOLT	6	
31	11174-93J00	HOSE, BREATHER	1	
32	09401-18410	CLIP	2	
33	11382-93J00	CAP, OIL FILLER	1	
34	09280-26006	O RING (D:3.1,ID:26.4)	1	

FIG.111D



DF250_E01_016_111D
CYLINDER HEAD

FIG.111D (1-B-9) CYLINDER HEAD (DF200Z E40)

REF NO.	PART NO.	DESCRIPTION	Q'TY	REMARKS
35	09482-00427	SPARK PLUG (BKR6E)	6	NGK
36	11291-93J00	HOOK, ENGINE	2	
37	01550-08207	BOLT	4	
38	11184-93J00	HOSE, BREATHER	1	
39	09401-18410	CLIP	2	
40	11115-93J10-001	GUIDE, VALVE (OS)	24	OPT
41	11291-98J00	HOOK, ENGINE	1	OPT

DF250_E01_016

FIG.111E

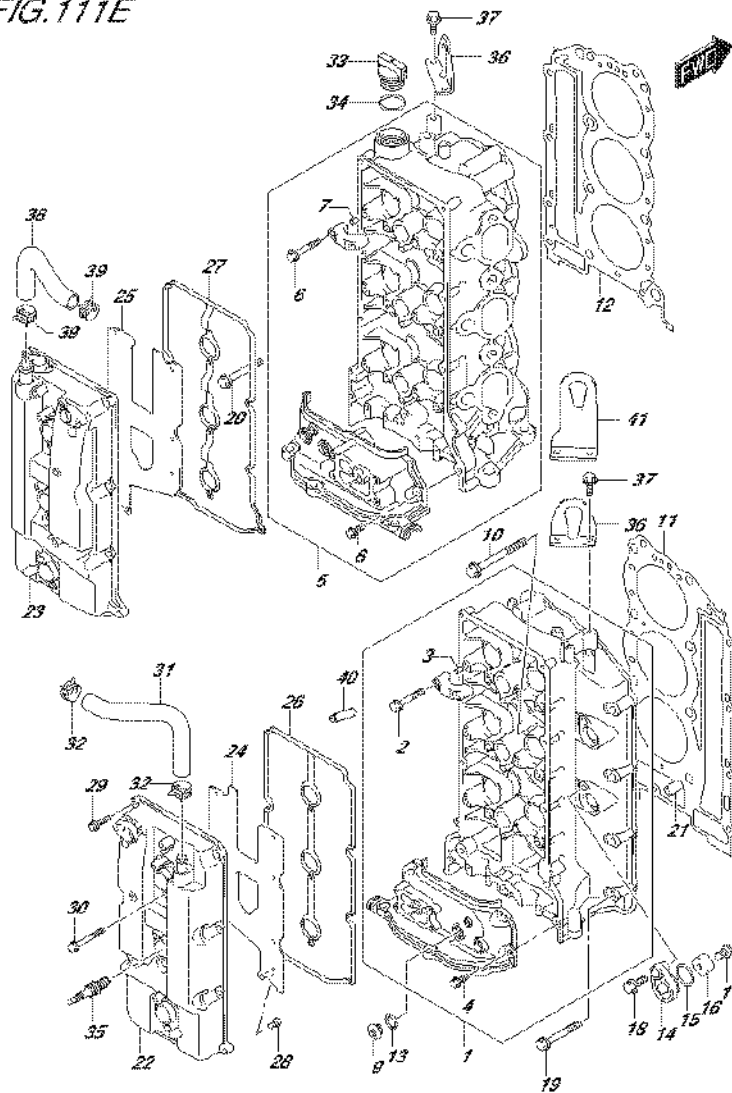


FIG.111E (1-B-10) CYLINDER HEAD (DF250T E01)

REF NO.	PART NO.	DESCRIPTION	Q'TY	REMARKS
1	11101-93J13	HEAD ASSY, CYLINDER STBD	1	
2	11128-90J00	.BOLT, CAM SHAFT HOUSING	16	
3	09206-08001	.PIN (8X11)	14	
4	01550-06207	.BOLT	4	
5	11103-93J13	HEAD ASSY, CYLINDER PORT	1	
6	11128-90J00	.BOLT, CAM SHAFT HOUSING	16	
7	09206-08001	.PIN (8X11)	14	
8	01550-06207	.BOLT	2	
9	11116-93J01	PLUG	4	
10	11119-93J00	BOLT	16	
11	11141-93J10	GASKET, CYL HEAD STBD	1	
12	11142-93J10	GASKET, CYL HEAD PORT	1	
13	09168-16009	GASKET (16X22X0.8)	4	
14	11261-93J00	COVER, PROTECTION ANODE	4	
15	09280-22019	O RING (D:1.9,ID:21.8)	4	
16	55321-87J01	ANODE, PROTECTION	4	
17	09103-06281	BOLT (6X14)	4	
18	01550-08207	BOLT	4	
19	01550-08607	BOLT	5	STBD
20	01550-08607	BOLT	4	PORT
21	09206-14004	PIN (14X11.4X23)	4	
22	11170-93J01	COVER, CYL HEAD STBD	1	
23	11180-93J02	COVER, CYLINDER HEAD PORT	1	
24	11173-93J00	PLATE, BREATHER STBD	1	
25	11183-93J00	PLATE, BREATHER PORT	1	
26	11179-93J00	GASKET, CYL HEAD COVER STBD	1	
27	11189-93J00	GASKET, CYL HEAD COVER PORT	1	
28	02112-0612A	SCREW	14	
29	01547-06257	BOLT	16	
30	01547-06507	BOLT	6	
31	11174-93J00	HOSE, BREATHER	1	
32	09401-18410	CLIP	2	
33	11382-93J00	CAP, OIL FILLER	1	
34	09280-26006	O RING (D:3.1,ID:26.4)	1	

FIG.111E

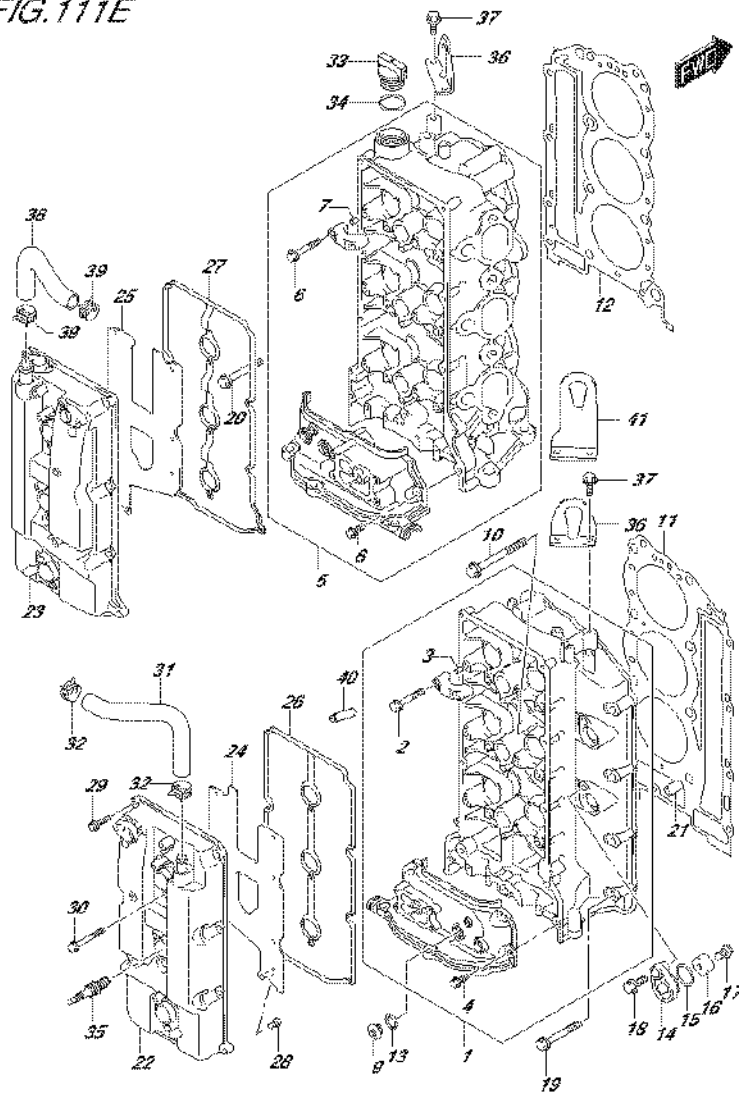


FIG.111E (1-B-11) CYLINDER HEAD (DF225T E01)

REF NO.	PART NO.	DESCRIPTION	Q'TY	REMARKS
35	09482-00427	SPARK PLUG (BKR6E)	6	NGK
36	11291-93J00	HOOK, ENGINE	2	
37	01550-08207	BOLT	4	
38	11184-93J00	HOSE, BREATHER	1	
39	09401-18410	CLIP	2	
40	11115-93J10-001	GUIDE, VALVE (OS)	24	OPT
41	11291-98J00	HOOK, ENGINE	1	OPT

FIG.111F

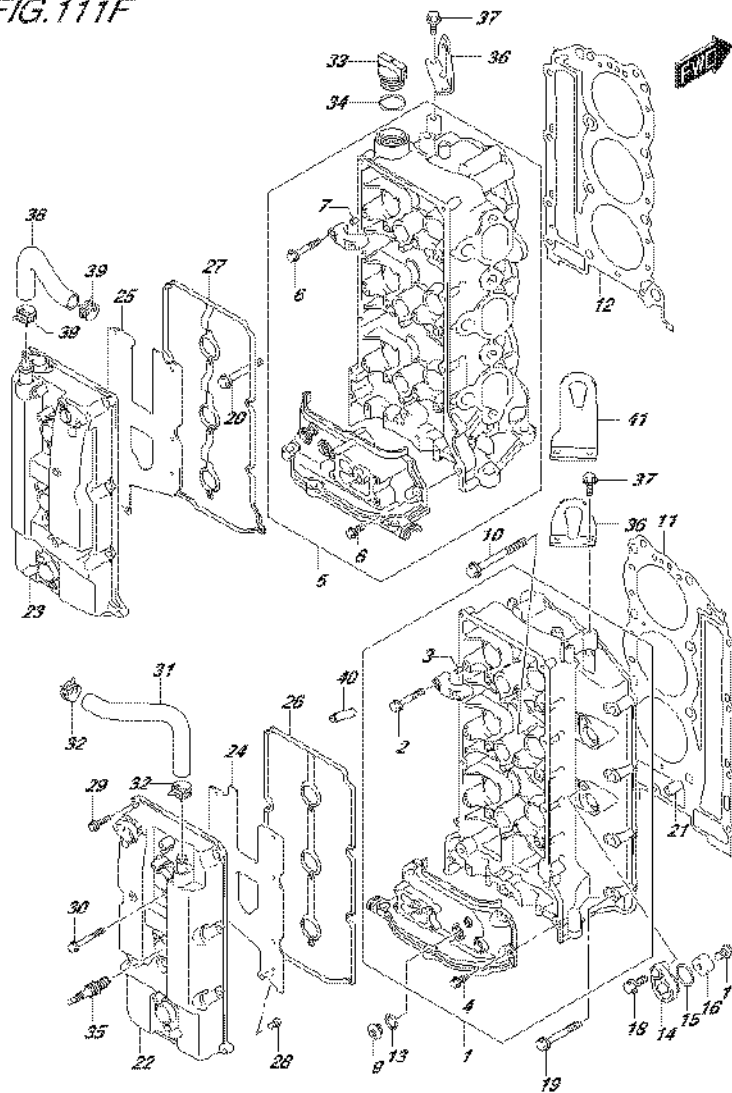


FIG.111F (1-B-12) CYLINDER HEAD (DF225T E40)

REF NO.	PART NO.	DESCRIPTION	Q'TY	REMARKS
1	11101-93J13	HEAD ASSY, CYLINDER STBD	1	
2	11128-90J00	.BOLT, CAM SHAFT HOUSING	16	
3	09206-08001	.PIN (8X11)	14	
4	01550-06207	.BOLT	4	
5	11103-93J13	HEAD ASSY, CYLINDER PORT	1	
6	11128-90J00	.BOLT, CAM SHAFT HOUSING	16	
7	09206-08001	.PIN (8X11)	14	
8	01550-06207	.BOLT	2	
9	11116-93J01	PLUG	4	
10	11119-93J00	BOLT	16	
11	11141-93J10	GASKET, CYL HEAD STBD	1	
12	11142-93J10	GASKET, CYL HEAD PORT	1	
13	09168-16009	GASKET (16X22X0.8)	4	
14	11261-93J00	COVER, PROTECTION ANODE	4	
15	09280-22019	O RING (D:1.9,ID:21.8)	4	
16	55321-87J01	ANODE, PROTECTION	4	
17	09103-06281	BOLT (6X14)	4	
18	01550-08207	BOLT	4	
19	01550-08607	BOLT	5	STBD
20	01550-08607	BOLT	4	PORT
21	09206-14004	PIN (14X11.4X23)	4	
22	11170-93J01	COVER, CYL HEAD STBD	1	
23	11180-93J02	COVER, CYLINDER HEAD PORT	1	
24	11173-93J00	PLATE, BREATHER STBD	1	
25	11183-93J00	PLATE, BREATHER PORT	1	
26	11179-93J00	GASKET, CYL HEAD COVER STBD	1	
27	11189-93J00	GASKET, CYL HEAD COVER PORT	1	
28	02112-0612A	SCREW	14	
29	01547-06257	BOLT	16	
30	01547-06507	BOLT	6	
31	11174-93J00	HOSE, BREATHER	1	
32	09401-18410	CLIP	2	
33	11382-93J00	CAP, OIL FILLER	1	
34	09280-26006	O RING (D:3.1,ID:26.4)	1	

FIG.111F

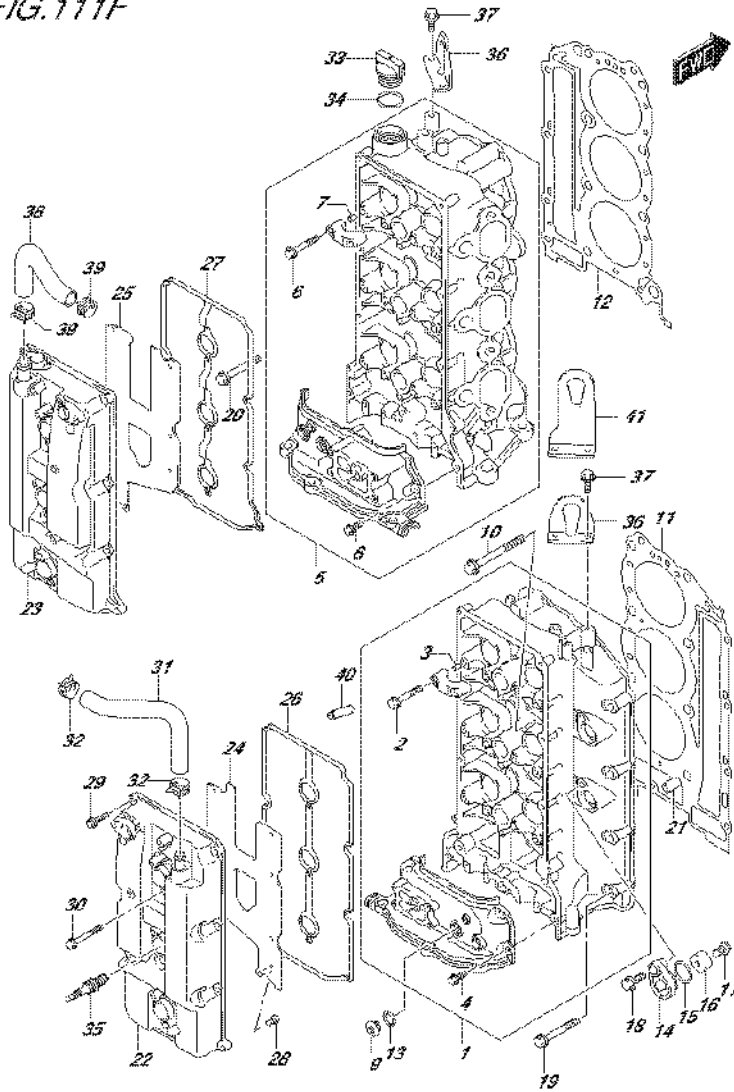


FIG.111F (1-B-13) CYLINDER HEAD (DF25T E40)

REF NO.	PART NO.	DESCRIPTION	Q'TY	REMARKS
35	09482-00427	SPARK PLUG (BKR6E)	6	NGK
36	11291-93J00	HOOK, ENGINE	2	
37	01550-08207	BOLT	4	
38	11184-93J00	HOSE, BREATHER	1	
39	09401-18410	CLIP	2	
40	11115-93J10-001	GUIDE, VALVE (OS)	24	OPT
41	11291-98J00	HOOK, ENGINE	1	OPT

FIG.111G

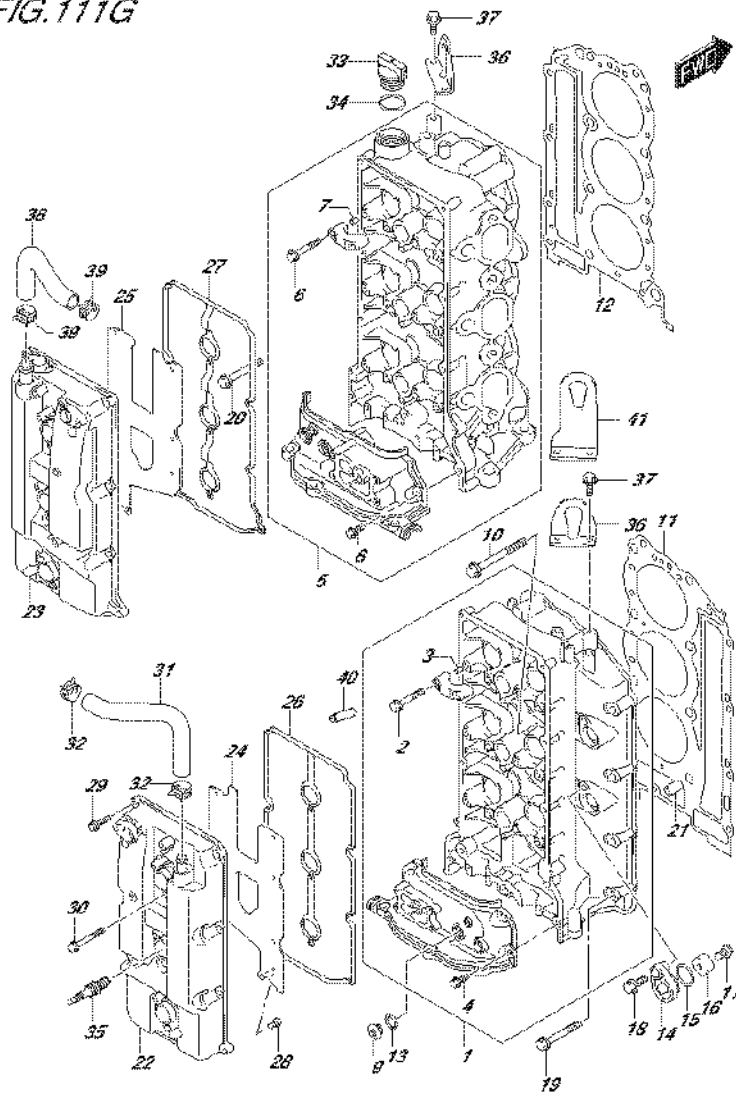
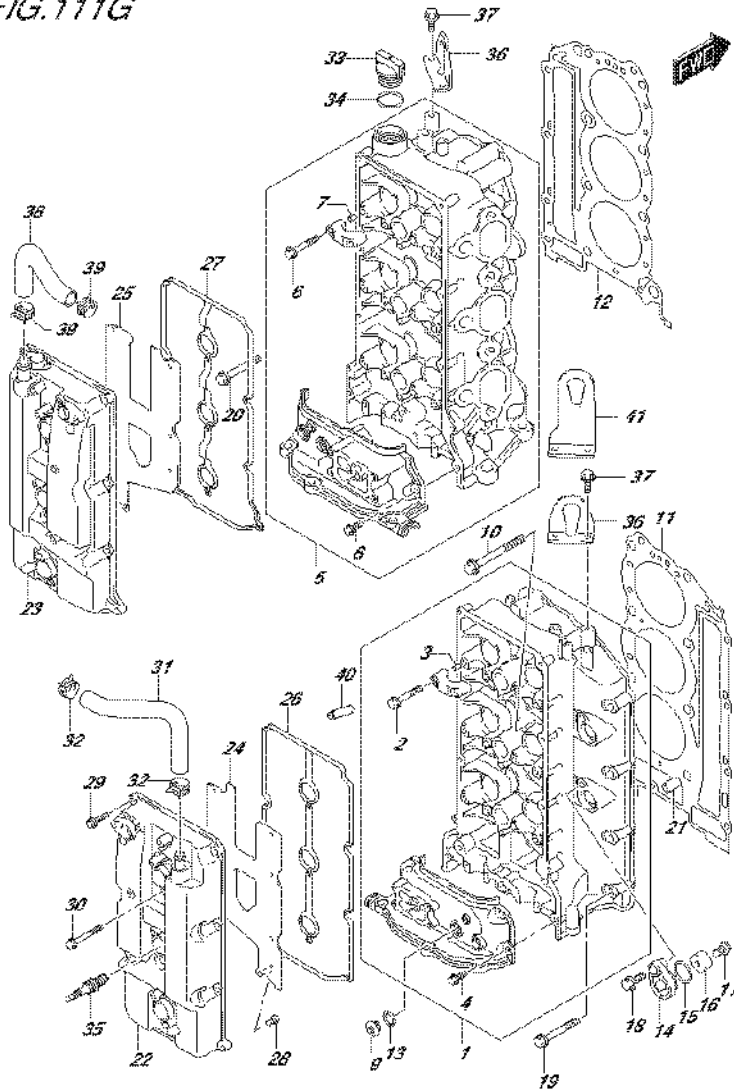


FIG.111G (1-B-14) CYLINDER HEAD (DF225Z E01)

REF NO.	PART NO.	DESCRIPTION	Q'TY	REMARKS
1	11101-93J13	HEAD ASSY, CYLINDER STBD	1	
2	11128-90J00	.BOLT, CAM SHAFT HOUSING	16	
3	09206-08001	.PIN (8X11)	14	
4	01550-06207	.BOLT	4	
5	11103-93J13	HEAD ASSY, CYLINDER PORT	1	
6	11128-90J00	.BOLT, CAM SHAFT HOUSING	16	
7	09206-08001	.PIN (8X11)	14	
8	01550-06207	.BOLT	2	
9	11116-93J01	PLUG	4	
10	11119-93J00	BOLT	16	
11	11141-93J10	GASKET, CYL HEAD STBD	1	
12	11142-93J10	GASKET, CYL HEAD PORT	1	
13	09168-16009	GASKET (16X22X0.8)	4	
14	11261-93J00	COVER, PROTECTION ANODE	4	
15	09280-22019	O RING (D:1.9,ID:21.8)	4	
16	55321-87J01	ANODE, PROTECTION	4	
17	09103-06281	BOLT (6X14)	4	
18	01550-08207	BOLT	4	
19	01550-08607	BOLT	5	STBD
20	01550-08607	BOLT	4	PORT
21	09206-14004	PIN (14X11.4X23)	4	
22	11170-93J01	COVER, CYL HEAD STBD	1	
23	11180-93J02	COVER, CYLINDER HEAD PORT	1	
24	11173-93J00	PLATE, BREATHER STBD	1	
25	11183-93J00	PLATE, BREATHER PORT	1	
26	11179-93J00	GASKET, CYL HEAD COVER STBD	1	
27	11189-93J00	GASKET, CYL HEAD COVER PORT	1	
28	02112-0612A	SCREW	14	
29	01547-06257	BOLT	16	
30	01547-06507	BOLT	6	
31	11174-93J00	HOSE, BREATHER	1	
32	09401-18410	CLIP	2	
33	11382-93J00	CAP, OIL FILLER	1	
34	09280-26006	O RING (D:3.1,ID:26.4)	1	

FIG.111G



DF250_E01_016_111G
CYLINDER HEAD

FIG.111G (1-B-15) CYLINDER HEAD (DF225Z E01)

REF NO.	PART NO.	DESCRIPTION	Q'TY	REMARKS
35	09482-00427	SPARK PLUG (BKR6E)	6	NGK
36	11291-93J00	HOOK, ENGINE	2	
37	01550-08207	BOLT	4	
38	11184-93J00	HOSE, BREATHER	1	
39	09401-18410	CLIP	2	
40	11115-93J10-001	GUIDE, VALVE (OS)	24	OPT
41	11291-98J00	HOOK, ENGINE	1	OPT

DF250_E01_016

FIG.111H

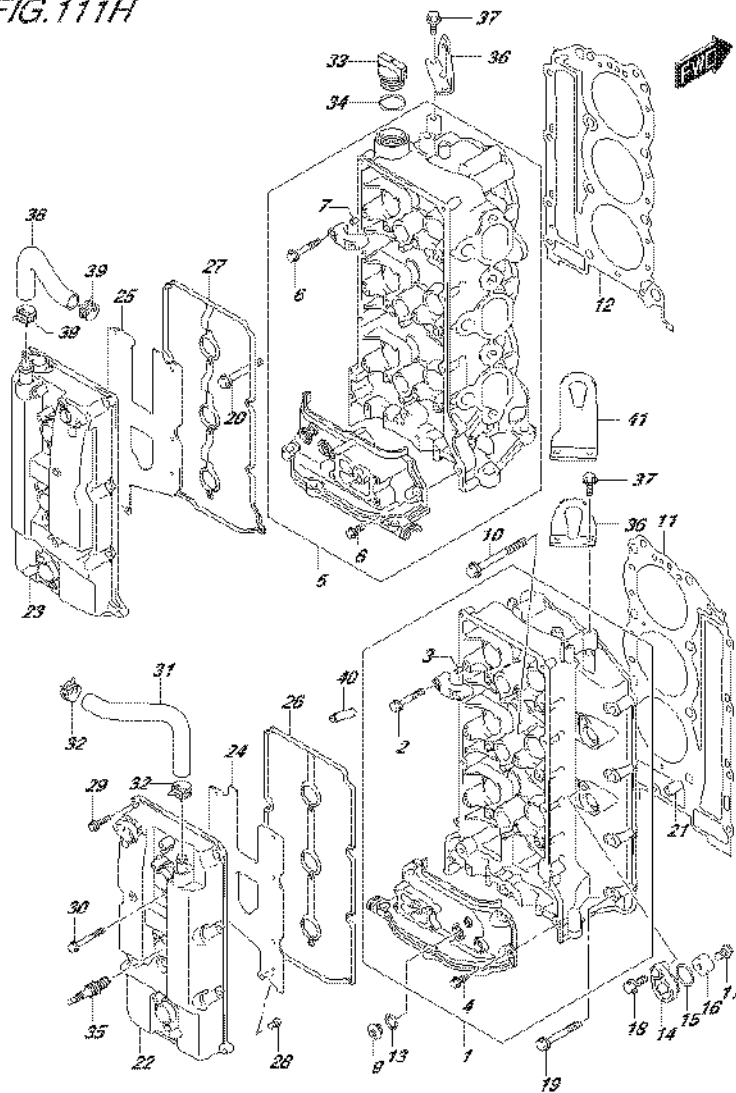


FIG.111H (1-C-2) CYLINDER HEAD (DF225Z E40)

REF NO.	PART NO.	DESCRIPTION	Q'TY	REMARKS
1	11101-93J13	HEAD ASSY, CYLINDER STBD	1	
2	11128-90J00	.BOLT, CAM SHAFT HOUSING	16	
3	09206-08001	.PIN (8X11)	14	
4	01550-06207	.BOLT	4	
5	11103-93J13	HEAD ASSY, CYLINDER PORT	1	
6	11128-90J00	.BOLT, CAM SHAFT HOUSING	16	
7	09206-08001	.PIN (8X11)	14	
8	01550-06207	.BOLT	2	
9	11116-93J01	PLUG	4	
10	11119-93J00	BOLT	16	
11	11141-93J10	GASKET, CYL HEAD STBD	1	
12	11142-93J10	GASKET, CYL HEAD PORT	1	
13	09168-16009	GASKET (16X22X0.8)	4	
14	11261-93J00	COVER, PROTECTION ANODE	4	
15	09280-22019	O RING (D:1.9,ID:21.8)	4	
16	55321-87J01	ANODE, PROTECTION	4	
17	09103-06281	BOLT (6X14)	4	
18	01550-08207	BOLT	4	
19	01550-08607	BOLT	5	STBD
20	01550-08607	BOLT	4	PORT
21	09206-14004	PIN (14X11.4X23)	4	
22	11170-93J01	COVER, CYL HEAD STBD	1	
23	11180-93J02	COVER, CYLINDER HEAD PORT	1	
24	11173-93J00	PLATE, BREATHER STBD	1	
25	11183-93J00	PLATE, BREATHER PORT	1	
26	11179-93J00	GASKET, CYL HEAD COVER STBD	1	
27	11189-93J00	GASKET, CYL HEAD COVER PORT	1	
28	02112-0612A	SCREW	14	
29	01547-06257	BOLT	16	
30	01547-06507	BOLT	6	
31	11174-93J00	HOSE, BREATHER	1	
32	09401-18410	CLIP	2	
33	11382-93J00	CAP, OIL FILLER	1	
34	09280-26006	O RING (D:3.1,ID:26.4)	1	

FIG.111H

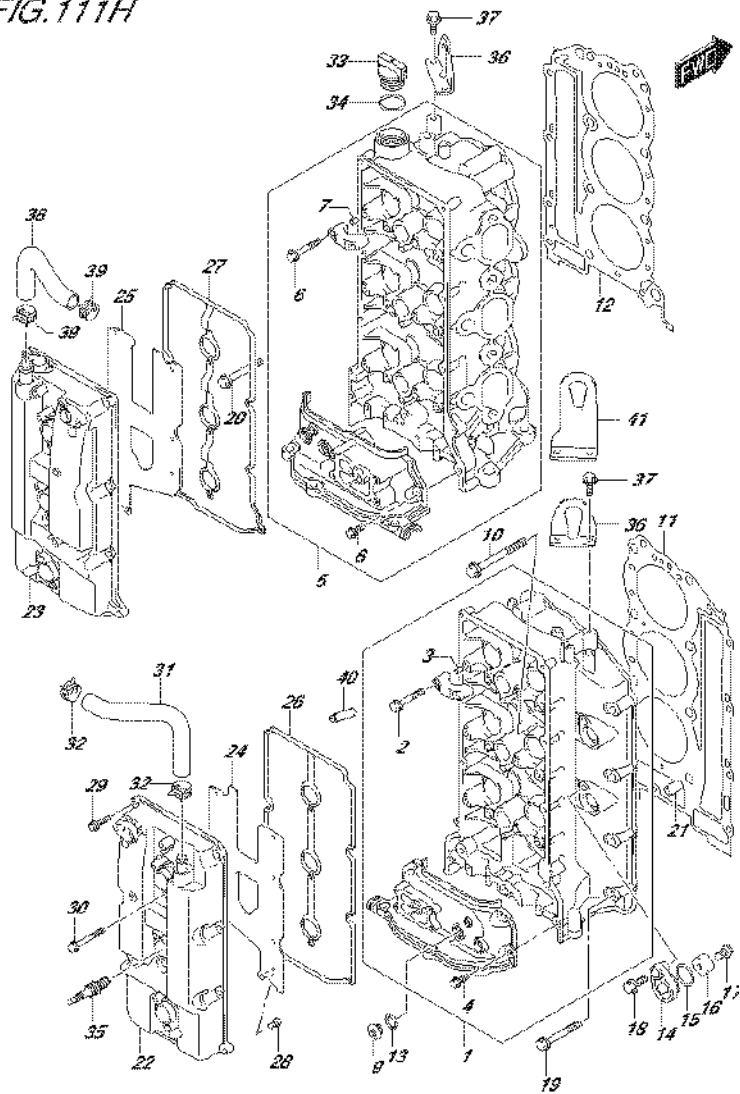


FIG.111H (1-C-3) CYLINDER HEAD (DF225Z E40)

REF NO.	PART NO.	DESCRIPTION	Q'TY	REMARKS
35	09482-00427	SPARK PLUG (BKR6E)	6	NGK
36	11291-93J00	HOOK, ENGINE	2	
37	01550-08207	BOLT	4	
38	11184-93J00	HOSE, BREATHER	1	
39	09401-18410	CLIP	2	
40	11115-93J10-001	GUIDE, VALVE (OS)	24	OPT
41	11291-98J00	HOOK, ENGINE	1	OPT

FIG.111J

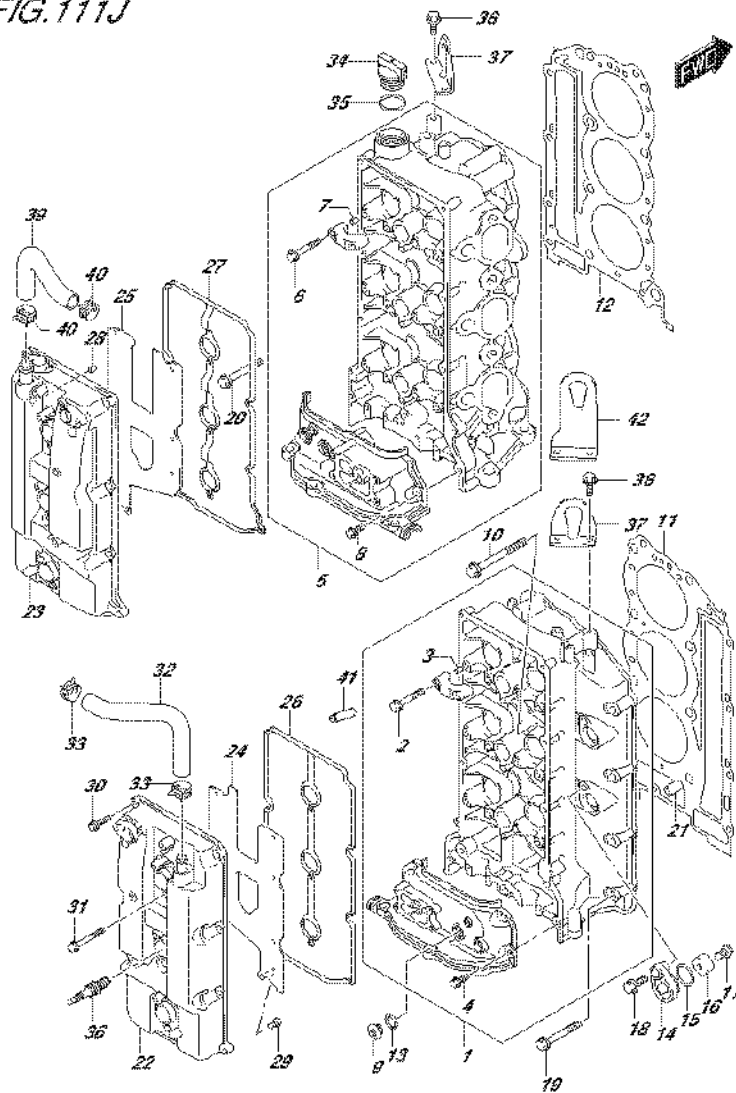


FIG.111J (1-C-4) CYLINDER HEAD (DF250T E01)

REF NO.	PART NO.	DESCRIPTION	Q'TY	REMARKS
1	11101-93J13	HEAD ASSY, CYLINDER STBD	1	
2	11128-90J00	.BOLT, CAM SHAFT HOUSING	16	
3	09206-08001	.PIN (8X11)	14	
4	01550-06207	.BOLT	4	
5	11103-93J13	HEAD ASSY, CYLINDER PORT	1	
6	11128-90J00	.BOLT, CAM SHAFT HOUSING	16	
7	09206-08001	.PIN (8X11)	14	
8	01550-06207	.BOLT	2	
9	11116-93J01	PLUG	4	
10	11119-93J00	BOLT	16	
11	11141-93J10	GASKET, CYL HEAD STBD	1	
12	11142-93J10	GASKET, CYL HEAD PORT	1	
13	09168-16009	GASKET (16X22X0.8)	4	
14	11261-93J00	COVER, PROTECTION ANODE	4	
15	09280-22019	O RING (D:1.9,ID:21.8)	4	
16	55321-87J01	ANODE, PROTECTION	4	
17	09103-06281	BOLT (6X14)	4	
18	01550-08207	BOLT	4	
19	01550-08607	BOLT	5	STBD
20	01550-08607	BOLT	4	PORT
21	09206-14004	PIN (14X11.4X23)	4	
22	11170-93J01	COVER, CYL HEAD STBD	1	
23	11180-93J22	COVER, CYLINDER HEAD PORT	1	
24	11173-93J00	PLATE, BREATHER STBD	1	
25	11183-93J00	PLATE, BREATHER PORT	1	
26	11179-93J00	GASKET, CYL HEAD COVER STBD	1	
27	11189-93J00	GASKET, CYL HEAD COVER PORT	1	
28	09206-08001	PIN (8X11)	1	
29	02112-0612A	SCREW	14	
30	01547-06257	BOLT	16	
31	01547-06507	BOLT	6	
32	11174-93J00	HOSE, BREATHER	1	
33	09401-18410	CLIP	2	
34	11382-93J00	CAP, OIL FILLER	1	

FIG.111J

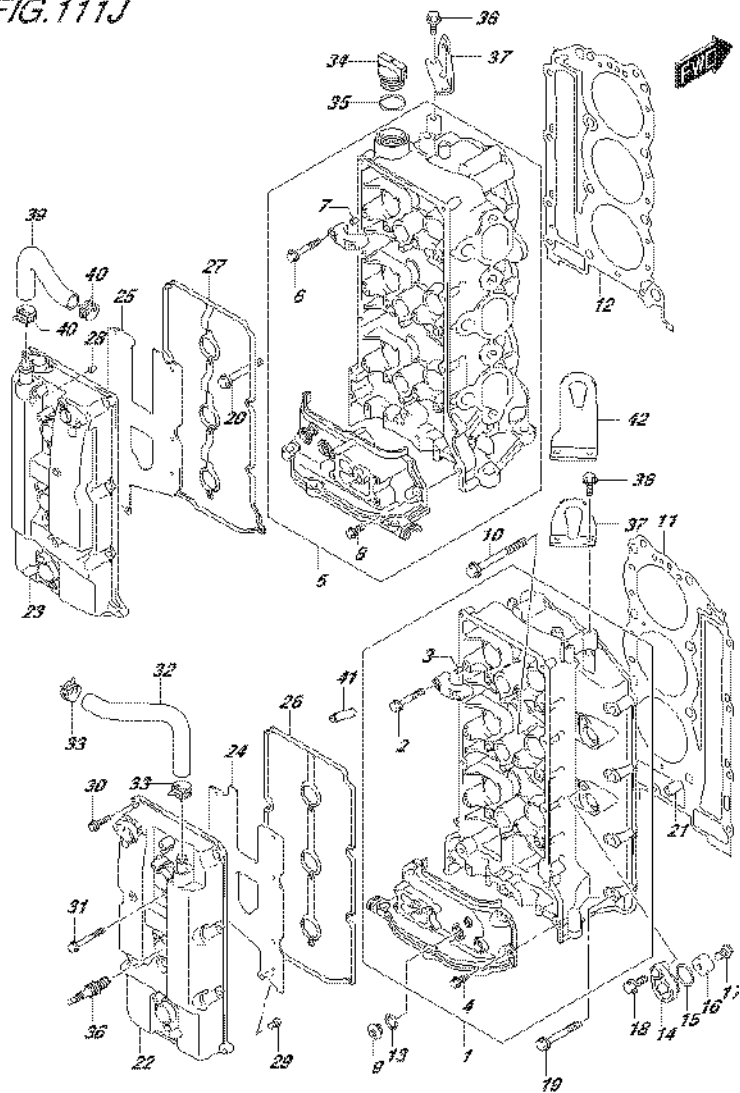


FIG.111J (1-C-5) CYLINDER HEAD (DF250T E01)

REF NO.	PART NO.	DESCRIPTION	Q'TY	REMARKS
35	09280-26006	O RING (D:3.1, ID:26.4)	1	
36	09482-00427	SPARK PLUG (BKR6E)	6	NGK
37	11291-93J00	HOOK, ENGINE	2	
38	01550-08207	BOLT	4	
39	11184-93J00	HOSE, BREATHER	1	
40	09401-18410	CLIP	2	
41	11115-93J10-001	GUIDE, VALVE (OS)	24	OPT
42	11291-98J00	HOOK, ENGINE	1	OPT

FIG.111K

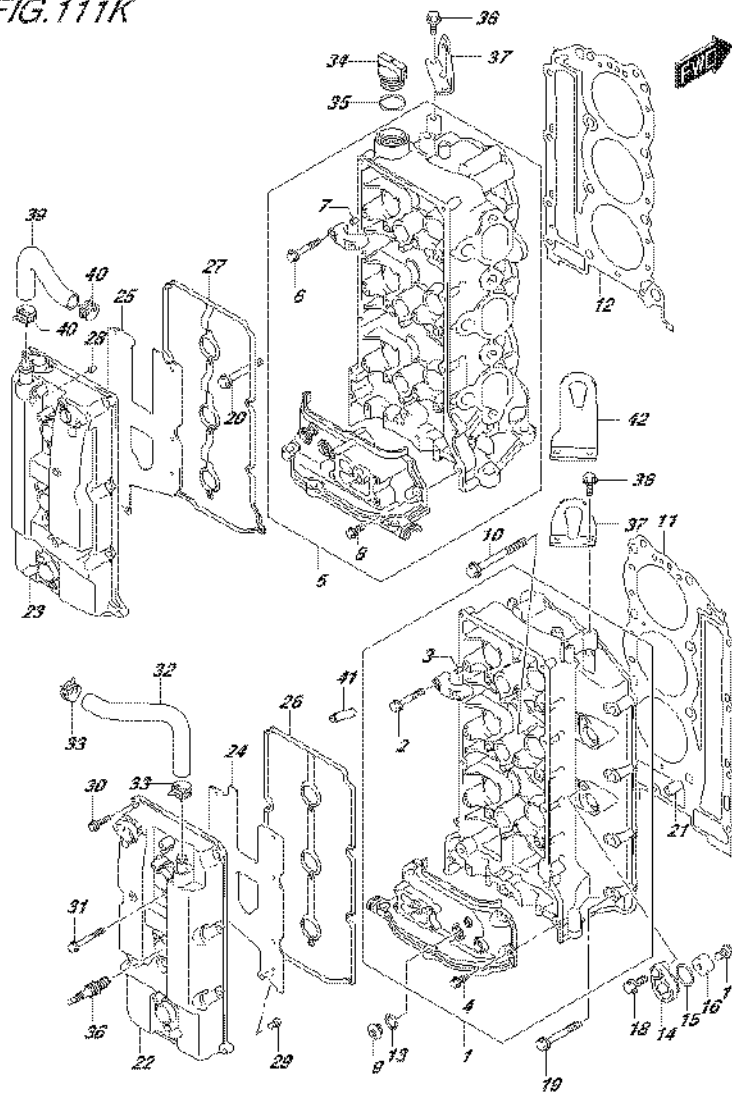


FIG.111K (1-C-6) CYLINDER HEAD (DF250T E40)

REF NO.	PART NO.	DESCRIPTION	Q'TY	REMARKS
1	11101-93J13	HEAD ASSY, CYLINDER STBD	1	
2	11128-90J00	.BOLT, CAM SHAFT HOUSING	16	
3	09206-08001	.PIN (8X11)	14	
4	01550-06207	.BOLT	4	
5	11103-93J13	HEAD ASSY, CYLINDER PORT	1	
6	11128-90J00	.BOLT, CAM SHAFT HOUSING	16	
7	09206-08001	.PIN (8X11)	14	
8	01550-06207	.BOLT	2	
9	11116-93J01	PLUG	4	
10	11119-93J00	BOLT	16	
11	11141-93J10	GASKET, CYL HEAD STBD	1	
12	11142-93J10	GASKET, CYL HEAD PORT	1	
13	09168-16009	GASKET (16X22X0.8)	4	
14	11261-93J00	COVER, PROTECTION ANODE	4	
15	09280-22019	O RING (D:1.9,ID:21.8)	4	
16	55321-87J01	ANODE, PROTECTION	4	
17	09103-06281	BOLT (6X14)	4	
18	01550-08207	BOLT	4	
19	01550-08607	BOLT	5	STBD
20	01550-08607	BOLT	4	PORT
21	09206-14004	PIN (14X11.4X23)	4	
22	11170-93J01	COVER, CYL HEAD STBD	1	
23	11180-93J22	COVER, CYLINDER HEAD PORT	1	
24	11173-93J00	PLATE, BREATHER STBD	1	
25	11183-93J00	PLATE, BREATHER PORT	1	
26	11179-93J00	GASKET, CYL HEAD COVER STBD	1	
27	11189-93J00	GASKET, CYL HEAD COVER PORT	1	
28	09206-08001	PIN (8X11)	1	
29	02112-0612A	SCREW	14	
30	01547-06257	BOLT	16	
31	01547-06507	BOLT	6	
32	11174-93J00	HOSE, BREATHER	1	
33	09401-18410	CLIP	2	
34	11382-93J00	CAP, OIL FILLER	1	

FIG.111K

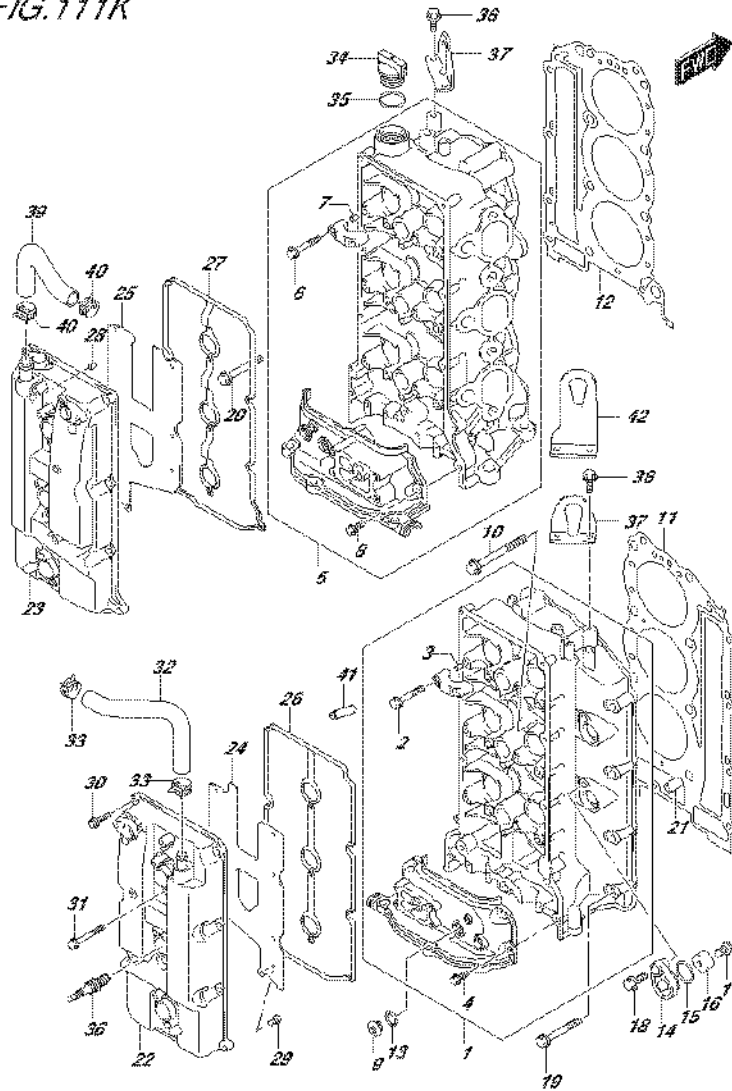


FIG.111K (1-C-7) CYLINDER HEAD (DF250T E40)

REF NO.	PART NO.	DESCRIPTION	Q'TY	REMARKS
35	09280-26006	O RING (D:3.1, ID:26.4)	1	
36	09482-00427	SPARK PLUG (BKR6E)	6	NGK
37	11291-93J00	HOOK, ENGINE	2	
38	01550-08207	BOLT	4	
39	11184-93J00	HOSE, BREATHER	1	
40	09401-18410	CLIP	2	
41	11115-93J10-001	GUIDE, VALVE (OS)	24	OPT
42	11291-98J00	HOOK, ENGINE	1	OPT

FIG.111L

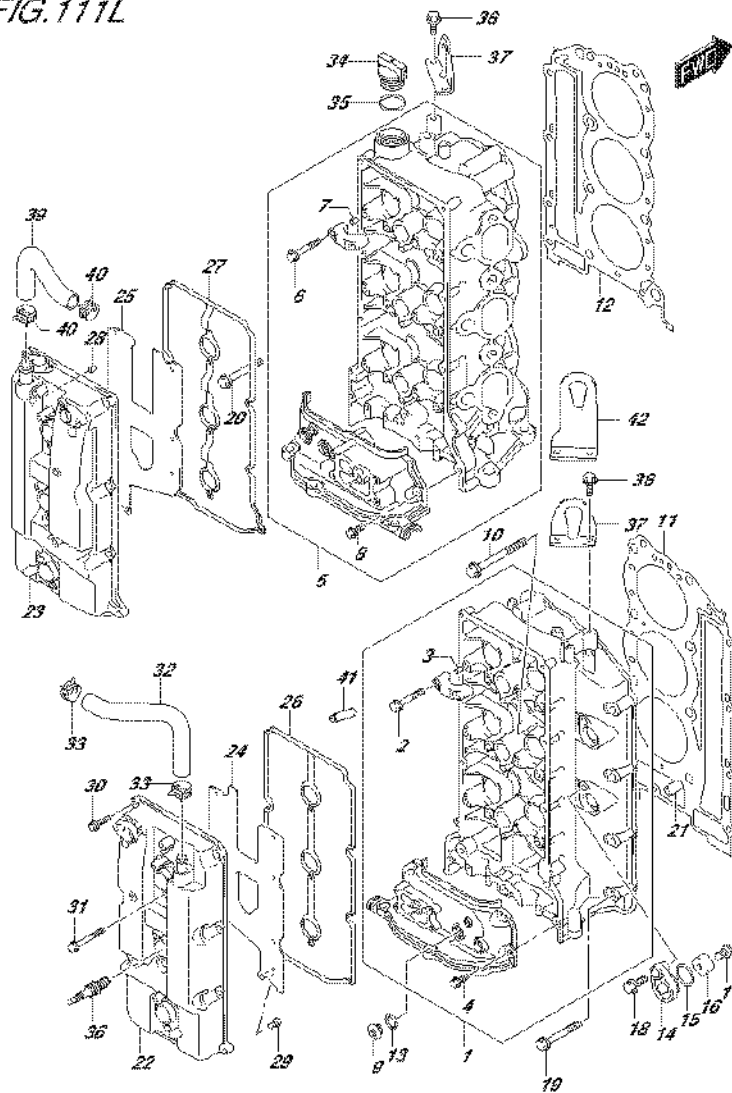


FIG.111L (1-C-8) CYLINDER HEAD (DF250Z E01)

REF NO.	PART NO.	DESCRIPTION	Q'TY	REMARKS
1	11101-93J13	HEAD ASSY, CYLINDER STBD	1	
2	11128-90J00	.BOLT, CAM SHAFT HOUSING	16	
3	09206-08001	.PIN (8X11)	14	
4	01550-06207	.BOLT	4	
5	11103-93J13	HEAD ASSY, CYLINDER PORT	1	
6	11128-90J00	.BOLT, CAM SHAFT HOUSING	16	
7	09206-08001	.PIN (8X11)	14	
8	01550-06207	.BOLT	2	
9	11116-93J01	PLUG	4	
10	11119-93J00	BOLT	16	
11	11141-93J10	GASKET, CYL HEAD STBD	1	
12	11142-93J10	GASKET, CYL HEAD PORT	1	
13	09168-16009	GASKET (16X22X0.8)	4	
14	11261-93J00	COVER, PROTECTION ANODE	4	
15	09280-22019	O RING (D:1.9,ID:21.8)	4	
16	55321-87J01	ANODE, PROTECTION	4	
17	09103-06281	BOLT (6X14)	4	
18	01550-08207	BOLT	4	
19	01550-08607	BOLT	5	STBD
20	01550-08607	BOLT	4	PORT
21	09206-14004	PIN (14X11.4X23)	4	
22	11170-93J01	COVER, CYL HEAD STBD	1	
23	11180-93J22	COVER, CYLINDER HEAD PORT	1	
24	11173-93J00	PLATE, BREATHER STBD	1	
25	11183-93J00	PLATE, BREATHER PORT	1	
26	11179-93J00	GASKET, CYL HEAD COVER STBD	1	
27	11189-93J00	GASKET, CYL HEAD COVER PORT	1	
28	09206-08001	PIN (8X11)	1	
29	02112-0612A	SCREW	14	
30	01547-06257	BOLT	16	
31	01547-06507	BOLT	6	
32	11174-93J00	HOSE, BREATHER	1	
33	09401-18410	CLIP	2	
34	11382-93J00	CAP, OIL FILLER	1	

FIG.111L

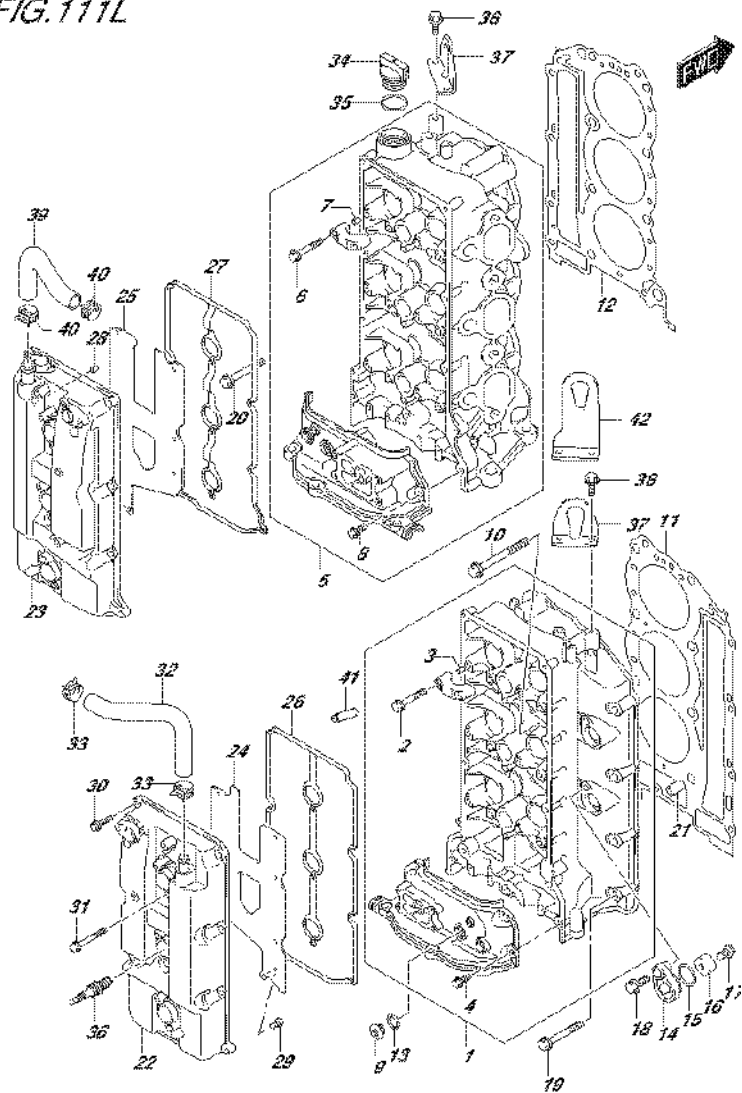


FIG.111L (1-C-9) CYLINDER HEAD (DF250Z E01)

REF NO.	PART NO.	DESCRIPTION	Q'TY	REMARKS
35	09280-26006	O RING (D:3.1, ID:26.4)	1	
36	09482-00427	SPARK PLUG (BKR6E)	6	NGK
37	11291-93J00	HOOK, ENGINE	2	
38	01550-08207	BOLT	4	
39	11184-93J00	HOSE, BREATHER	1	
40	09401-18410	CLIP	2	
41	11115-93J10-001	GUIDE, VALVE (OS)	24	OPT
42	11291-98J00	HOOK, ENGINE	1	OPT

FIG.111M

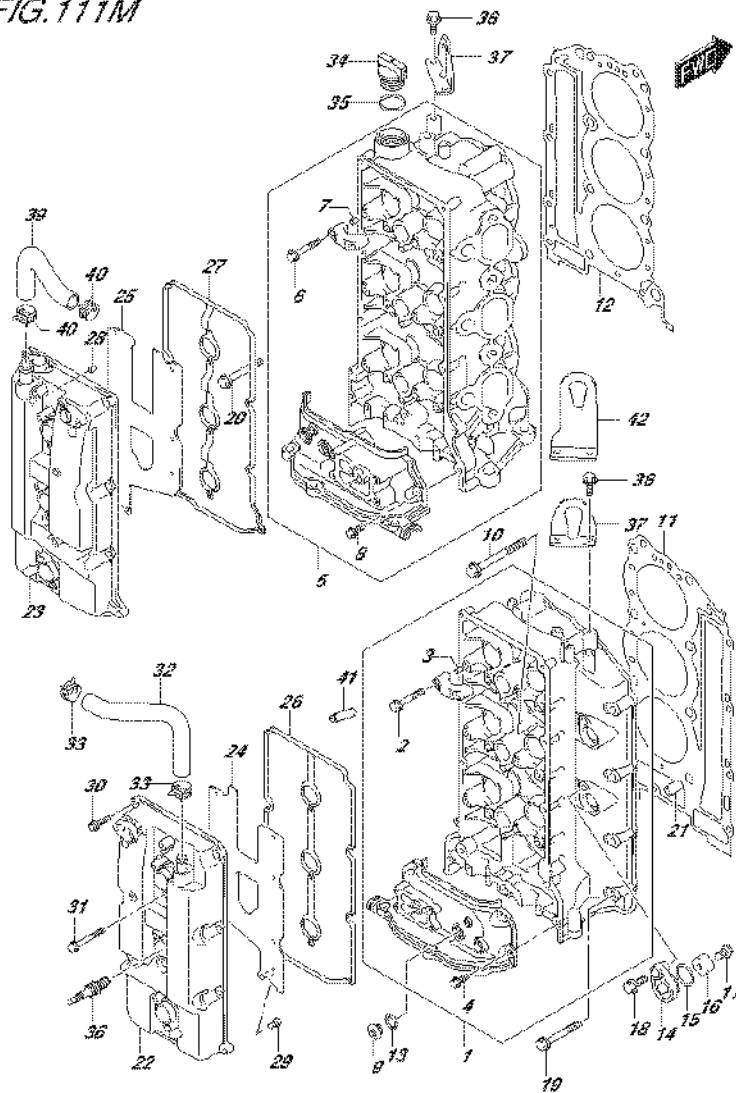


FIG.111M (1-C-10) CYLINDER HEAD (DF250Z E40)

REF NO.	PART NO.	DESCRIPTION	Q'TY	REMARKS
1	11101-93J13	HEAD ASSY, CYLINDER STBD	1	
2	11128-90J00	.BOLT, CAM SHAFT HOUSING	16	
3	09206-08001	.PIN (8X11)	14	
4	01550-06207	.BOLT	4	
5	11103-93J13	HEAD ASSY, CYLINDER PORT	1	
6	11128-90J00	.BOLT, CAM SHAFT HOUSING	16	
7	09206-08001	.PIN (8X11)	14	
8	01550-06207	.BOLT	2	
9	11116-93J01	PLUG	4	
10	11119-93J00	BOLT	16	
11	11141-93J10	GASKET, CYL HEAD STBD	1	
12	11142-93J10	GASKET, CYL HEAD PORT	1	
13	09168-16009	GASKET (16X22X0.8)	4	
14	11261-93J00	COVER, PROTECTION ANODE	4	
15	09280-22019	O RING (D:1.9,ID:21.8)	4	
16	55321-87J01	ANODE, PROTECTION	4	
17	09103-06281	BOLT (6X14)	4	
18	01550-08207	BOLT	4	
19	01550-08607	BOLT	5	STBD
20	01550-08607	BOLT	4	PORT
21	09206-14004	PIN (14X11.4X23)	4	
22	11170-93J01	COVER, CYL HEAD STBD	1	
23	11180-93J22	COVER, CYLINDER HEAD PORT	1	
24	11173-93J00	PLATE, BREATHER STBD	1	
25	11183-93J00	PLATE, BREATHER PORT	1	
26	11179-93J00	GASKET, CYL HEAD COVER STBD	1	
27	11189-93J00	GASKET, CYL HEAD COVER PORT	1	
28	09206-08001	PIN (8X11)	1	
29	02112-0612A	SCREW	14	
30	01547-06257	BOLT	16	
31	01547-06507	BOLT	6	
32	11174-93J00	HOSE, BREATHER	1	
33	09401-18410	CLIP	2	
34	11382-93J00	CAP, OIL FILLER	1	

FIG.111M

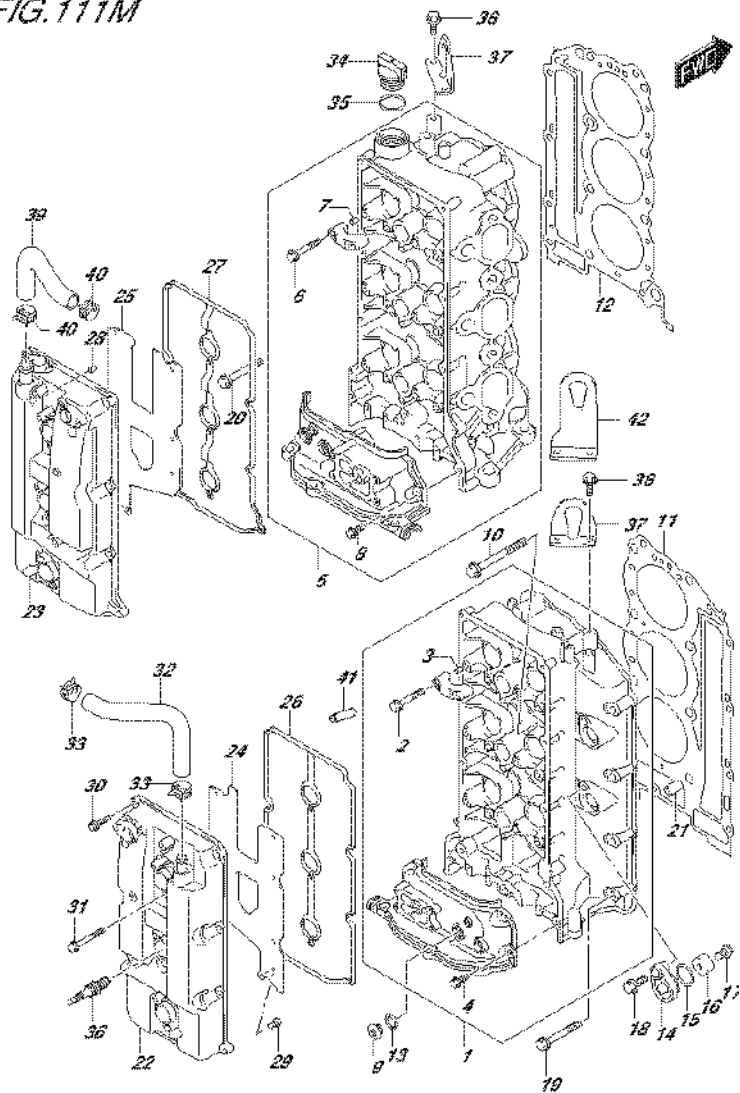


FIG.111M (1-C-11) CYLINDER HEAD (DF250Z E40)

REF NO.	PART NO.	DESCRIPTION	Q'TY	REMARKS
35	09280-26006	O RING (D:3.1, ID:26.4)	1	
36	09482-00427	SPARK PLUG (BKR6E)	6	NGK
37	11291-93J00	HOOK, ENGINE	2	
38	01550-08207	BOLT	4	
39	11184-93J00	HOSE, BREATHER	1	
40	09401-18410	CLIP	2	
41	11115-93J10-001	GUIDE, VALVE (OS)	24	OPT
42	11291-98J00	HOOK, ENGINE	1	OPT

FIG.113A

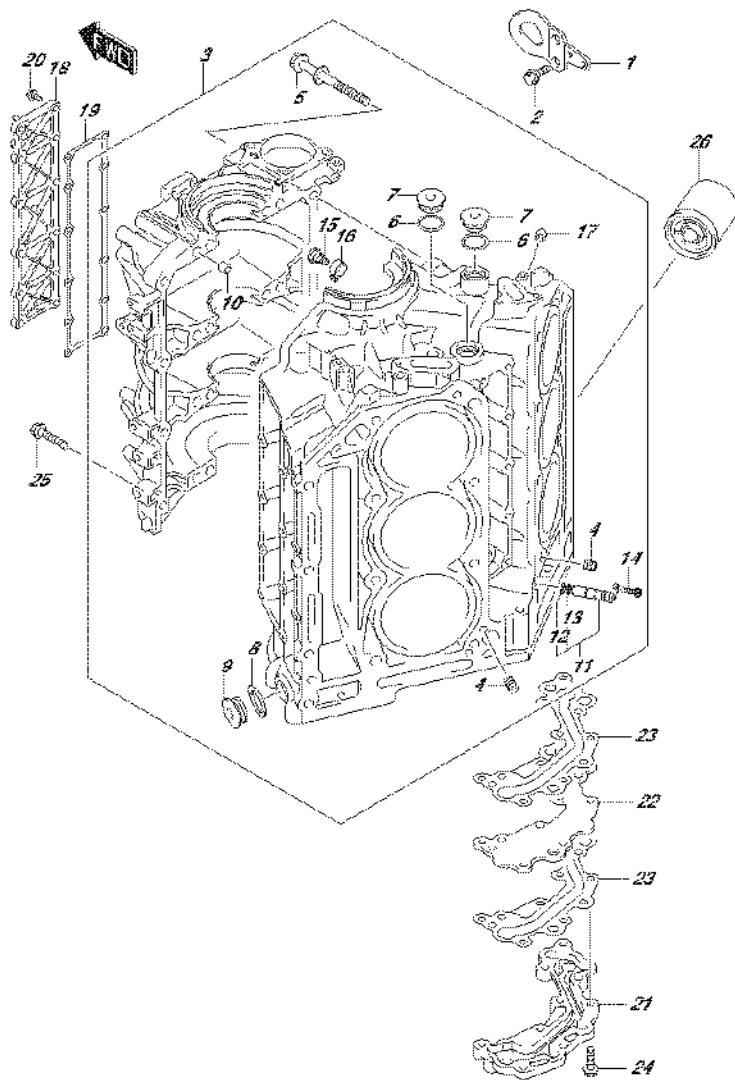


FIG.113A (1-C-12) CYLINDER BLOCK

REF NO.	PART NO.	DESCRIPTION	Q'TY	REMARKS
1	11293-98J00	HOOK, ENGINE FRONT	1	
2	01550-08207	BOLT	2	
3	11301-93J11	BLOCK SET, CYLINDER	1	
4	11112-93J00	.PLUG, OIL VENTURI	2	
5	11117-93J10	.BOLT, CRANKCASE	16	
6	11217-85FA0	.GASKET, M26 PLUG	3	
7	09248-26001	.PLUG (26X11)	3	
8	09160-18031	.WASHER (18.5X28X2.6)	2	
9	09248-18006	.PLUG (18X8)	2	
10	09206-13019	.PIN (10.4X13X16)	5	
11	16700-93J00	.VALVE, PISTON JET	1	
12	09280-10009	..O RING (D:1.3,ID:9.8)	1	
13	09280-10016	..O RING (D:1.9,ID:9.8)	1	
14	07130-0616A	.BOLT	1	
15	16712-93J00	.BOLT, PISTON COOLING JET	6	
16	16721-93J00	.JET, PISTON COOLING	6	
17	09246-05006	.PLUG (1/8PT,H:5.5)	1	
18	11330-93J01	COVER, CRANKCASE WTR JKT	1	
19	11332-93J00	GASKET, WTR JKT COVER	1	
20	01550-06207	BOLT	12	
21	16430-93J00	COVER, OIL GALLERY	1	
22	16431-93J00	PLATE, OIL GALLERY	1	
23	16433-93J00	GASKET, OIL GALLERY	2	
24	01550-0835A	BOLT	9	
25	01550-08457	BOLT	8	
26	16510-96J00	FILTER ASSY, OIL	1	

FIG.116A

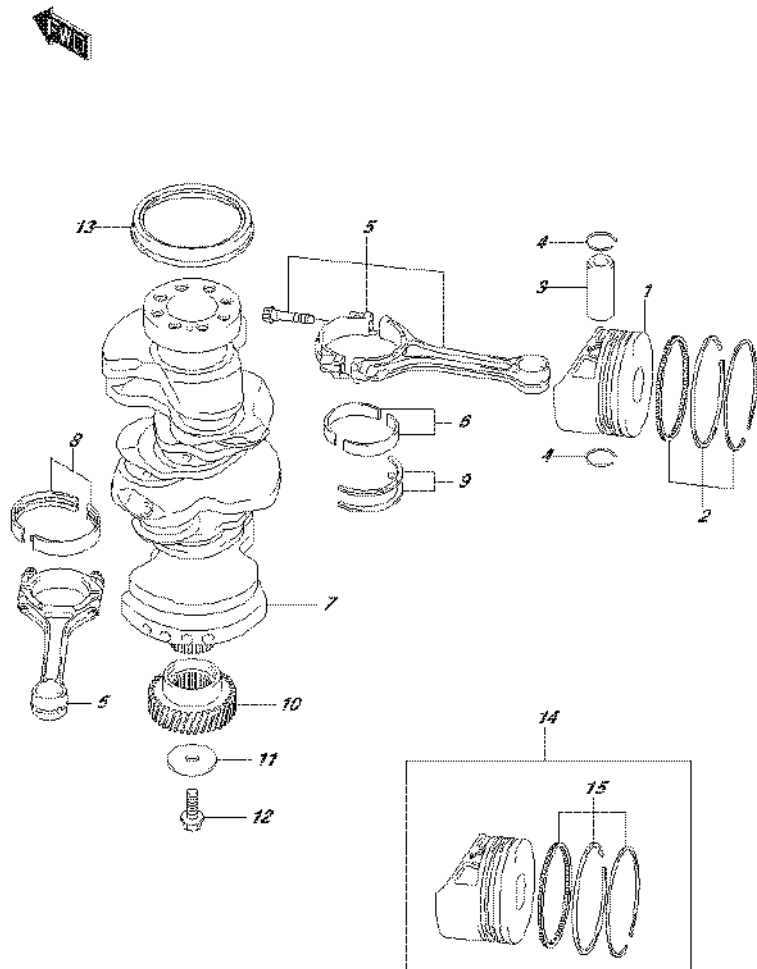


FIG.116A (1-C-13) CRANKSHAFT

REF NO.	PART NO.	DESCRIPTION	Q'TY	REMARKS
1	12111-93J02-0B0	PISTON	6	
2	12140-93J00	RING SET, PISTON	6	
3	12151-93J10	PIN, PISTON	6	
4	09381-22010	CIRCLIP	12	
5	12160-93J10	CONNROD ASSY	6	
6-1	12100-98810-0A0	BEARING SET, CONNROD (GREEN)	6	
6-2	12100-98810-025	BEARING SET, CONNROD (US:0.25)	6	OPT
7	12220-93J01	CRANKSHAFT	1	
8-1	12340-86FA2-0B0	BEARING SET, CRANKSHAFT (BLACK)	4	
8-2	12340-86FA2-0C0	BEARING SET, CRANKSHAFT (NON)	4	
8-3	12340-86FA2-0D0	BEARING SET, CRANKSHAFT (YELLOW)	4	
8-4	12340-86FA2-0E0	BEARING SET, CRANKSHAFT (BLUE)	4	
8-5	12340-86FA2-0F0	BEARING SET, CRANKSHAFT (PINK)	4	
8-6	12300-86812-0BA	BEARING SET, CRANKSHAFT (RED/BLACK)	4	OPT
8-7	12300-86812-0CA	BEARING SET, CRANKSHAFT (RED)	4	OPT
8-8	12300-86812-0DA	BEARING SET, CRANKSHAFT (RED/YELLOW)	4	OPT
8-9	12300-86812-0EA	BEARING SET, CRANKSHAFT (RED/BLUE)	4	OPT
8-10	12300-86812-0FA	BEARING SET, CRANKSHAFT (RED/PINK)	4	OPT
9-1	12300-85830	BEARING SET, CRANK THRUST	1	
9-2	12300-85830-012	BEARING SET, CRANK THRUST	1	OPT
10	12242-93J01	GEAR, DRIVE (NT:32)	1	
11	09160-10104	WASHER (10.5X50X3.2)	1	
12	01550-1025A	BOLT	1	
13	09283-91001	OIL SEAL (91X109X10)	1	
14	12100-93J00-050	PISTON SET (OS:0.50)	6	OPT
15	12140-93J00-050	.RING SET, PISTON (OS:0.50)	6	OPT

FIG.119A

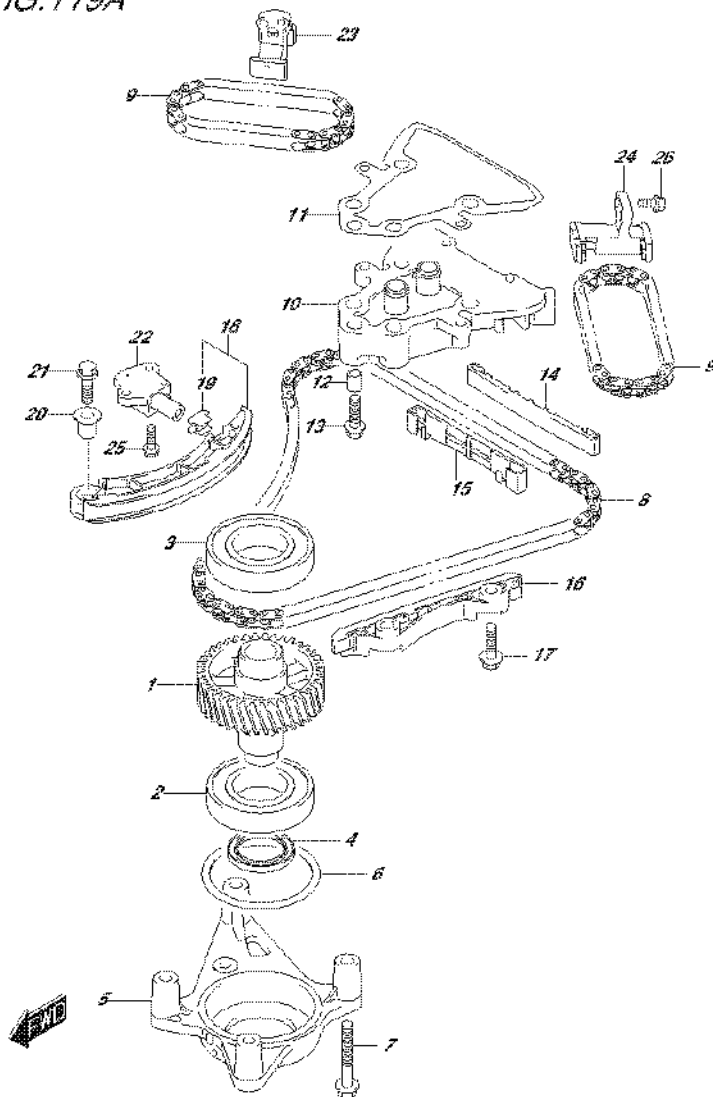


FIG.119A (1-C-14) TIMING CHAIN

REF NO.	PART NO.	DESCRIPTION	Q'TY	REMARKS
1	12730-93J02	GEAR, DRIVEN (NT:40)	1	
2	09262-40018	BEARING (40X80X18)	1	LOWER
3	08110-62080	BEARING	1	UPPER
4	09283-32044	OIL SEAL (32X47X6)	1	
5	12734-93J00	HOLDER, DRIVEN GEAR	1	
6	09280-70012	O RING (D:5.7,ID:69.6)	1	
7	01550-0855A	BOLT	4	
8	12761-93J00	CHAIN, TIMING 1ST	1	
9	12762-93J00	CHAIN, TIMING 2ND	2	
10	12770-93J00	BASE, TIMING CHAIN GUIDE NO.1	1	
11	12778-93J00	GASKET, GUIDE BASE	1	
12	04211-13149	PIN	2	
13	01550-0830A	BOLT	2	
14	12771-93J00	SHOE, TIMING CHAIN UPPER	1	
15	12775-93J00	SHOE, TIMING CHAIN LOWER	1	
16	12772-93J00	GUIDE, TIMING CHAIN NO.2	1	
17	01550-0830A	BOLT	2	
18	12810-93J00	TENSIONER ASSY, TIMING CHAIN	1	
19	12813-73G00	.PAD, TIMING CHAIN TENSIONER	1	
20	12812-90J00	SPACER, TIMING CHAIN TENSIONER	1	
21	01550-0830A	BOLT	1	
22	12831-93J01	ADJUSTER ASSY, TENSIONER	1	
23	12832-93J00	TENSIONER ASSY, STBD	1	
24	12833-93J00	TENSIONER ASSY, PORT	1	
25	01550-0620A	BOLT	2	
26	01550-0620A	BOLT	4	

FIG.121A

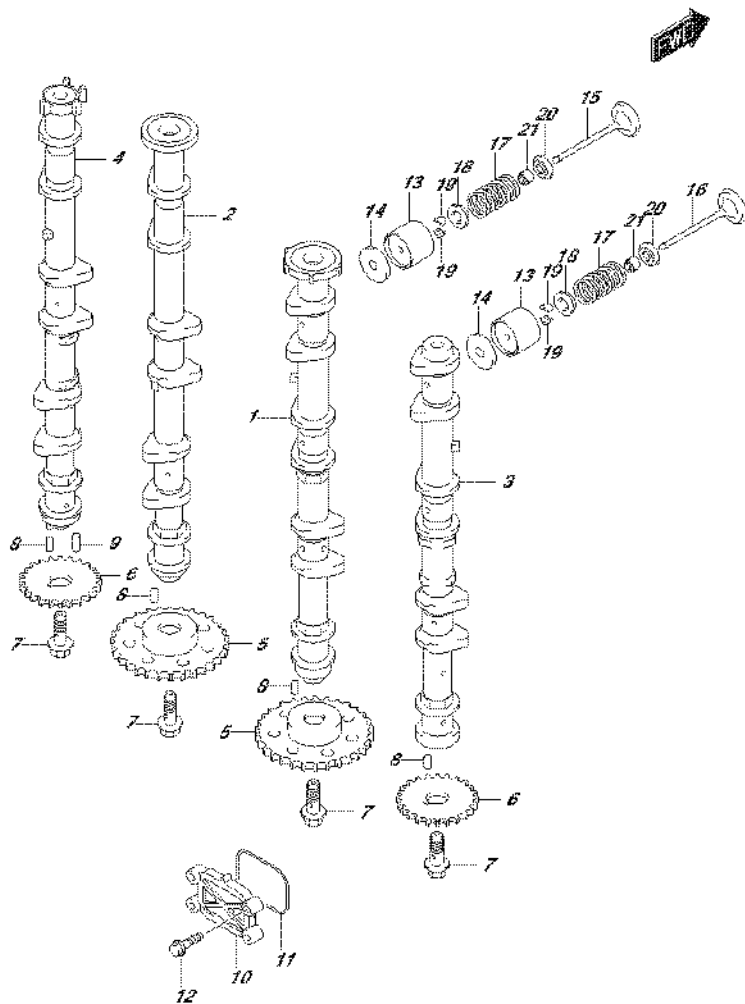


FIG.121A (1-C-15) CAMSHAFT (DF200T E01)

REF NO.	PART NO.	DESCRIPTION	Q'TY	REMARKS
1	12701-93J30	CAMSHAFT, INTAKE STBD	1	
2	12705-93J30	CAMSHAFT, INTAKE PORT	1	
3	12721-93J30	CAMSHAFT, EXH STBD	1	
4	12725-93J30	CAMSHAFT, EXH PORT	1	
5	12742-93J10	SPROCKET, INTAKE CAMSHAFT (NT:32)	2	
6	12748-93J00	SPROCKET, CAMSHAFT (NT:22)	4	
7	12749-93J00	BOLT, CAMSHAFT	4	
8	09202-05032	PIN (5X12)	3	
9	09261-05006	PIN (5X18)	1	
10	16551-93J00	PLATE, OIL CONTROL	2	
11	16559-93J00	GASKET, VALVE	2	
12	01550-06257	BOLT	8	
13	12891-93J00	TAPPET	24	
14-1	12892-93J00-218	SHIM, TAPPET (T:2.175)	AR	
14-2	12892-93J00-220	SHIM, TAPPET (T:2.200)	AR	
14-3	12892-93J00-223	SHIM, TAPPET (T:2.225)	AR	
14-4	12892-93J00-225	SHIM, TAPPET (T:2.250)	AR	
14-5	12892-93J00-228	SHIM, TAPPET (T:2.275)	AR	
14-6	12892-93J00-230	SHIM, TAPPET (T:2.300)	AR	
14-7	12892-93J00-233	SHIM, TAPPET (T:2.325)	AR	
14-8	12892-93J00-235	SHIM, TAPPET (T:2.350)	AR	
14-9	12892-93J00-238	SHIM, TAPPET (T:2.375)	AR	
14-10	12892-93J00-240	SHIM, TAPPET (T:2.400)	AR	
14-11	12892-93J00-243	SHIM, TAPPET (T:2.425)	AR	
14-12	12892-93J00-245	SHIM, TAPPET (T:2.450)	AR	
14-13	12892-93J00-248	SHIM, TAPPET (T:2.475)	AR	
14-14	12892-93J00-250	SHIM, TAPPET (T:2.500)	AR	
14-15	12892-93J00-253	SHIM, TAPPET (T:2.525)	AR	
14-16	12892-93J00-255	SHIM, TAPPET (T:2.550)	AR	
14-17	12892-93J00-258	SHIM, TAPPET (T:2.575)	AR	
14-18	12892-93J00-260	SHIM, TAPPET (T:2.600)	AR	
14-19	12892-93J00-263	SHIM, TAPPET (T:2.625)	AR	
14-20	12892-93J00-265	SHIM, TAPPET (T:2.650)	AR	

FIG.121A

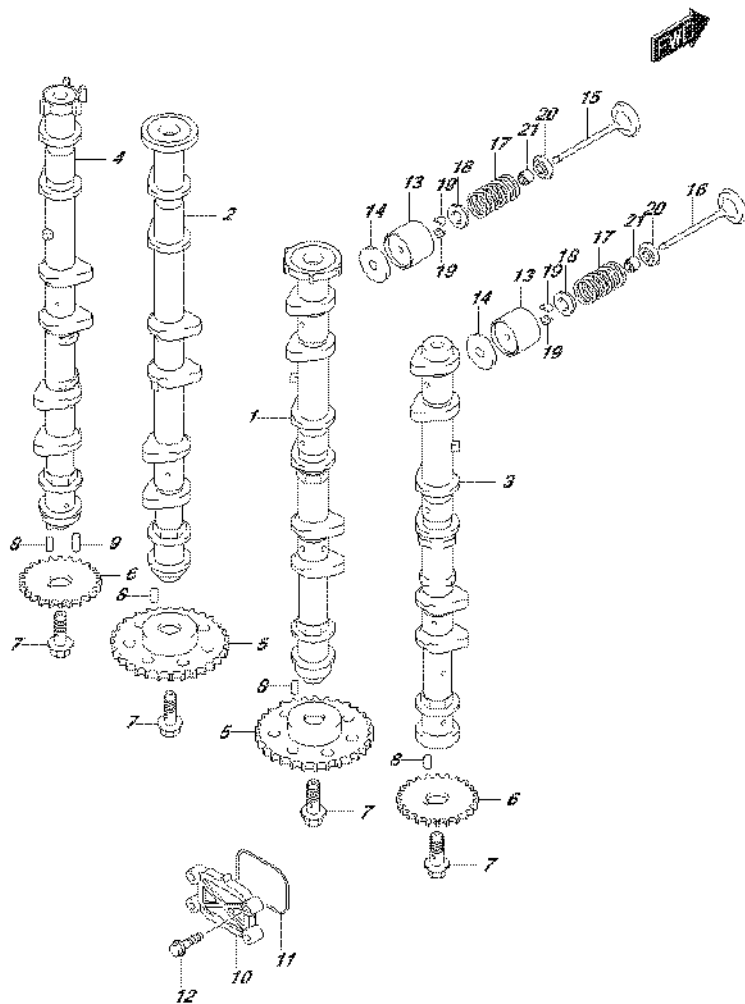


FIG.121A (1-D-2) CAMSHAFT (DF200T E01)

REF NO.	PART NO.	DESCRIPTION	Q'TY	REMARKS
14-21	12892-93J00-268	SHIM, TAPPET (T:2.675)	AR	
14-22	12892-93J00-270	SHIM, TAPPET (T:2.700)	AR	
14-23	12892-93J00-273	SHIM, TAPPET (T:2.725)	AR	
14-24	12892-93J00-275	SHIM, TAPPET (T:2.750)	AR	
14-25	12892-93J00-278	SHIM, TAPPET (T:2.775)	AR	
14-26	12892-93J00-280	SHIM, TAPPET (T:2.800)	AR	
14-27	12892-93J00-283	SHIM, TAPPET (T:2.825)	AR	
14-28	12892-93J00-285	SHIM, TAPPET (T:2.850)	AR	
14-29	12892-93J00-288	SHIM, TAPPET (T:2.875)	AR	
14-30	12892-93J00-290	SHIM, TAPPET (T:2.900)	AR	
14-31	12892-93J00-293	SHIM, TAPPET (T:2.925)	AR	
14-32	12892-93J00-295	SHIM, TAPPET (T:2.950)	AR	
14-33	12892-93J00-298	SHIM, TAPPET (T:2.975)	AR	
14-34	12892-93J00-300	SHIM, TAPPET (T:3.000)	AR	
15	12911-93J00	VALVE, INTAKE	12	
16	12915-93J50	VALVE, EXHAUST	12	
17	12921-93J10	SPRING, VALVE	24	
18	12931-78G00	RETAINER, VALVE SPRING	24	
19	12932-24400	COTTER, VALVE	48	
20	12933-69G10	SEAT, VALVE SPRING	24	
21	09289-05012	OIL SEAL (5.5X11.5X9.3)	24	

FIG.121B

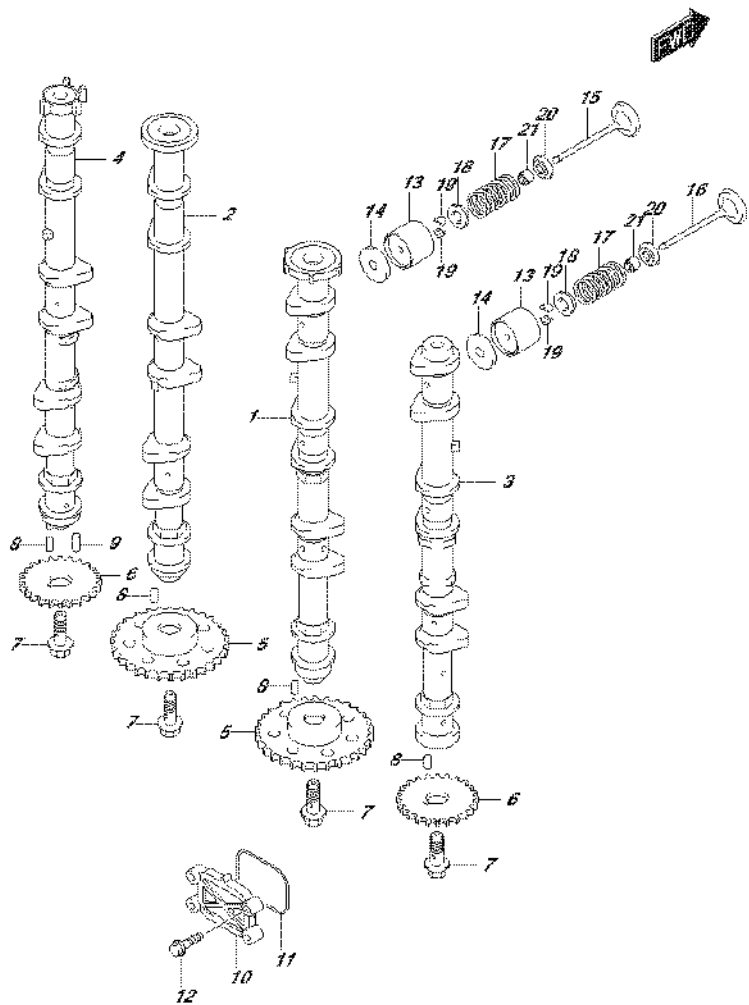


FIG.121B (1-D-3) CAMSHAFT (DF200T E40)

REF NO.	PART NO.	DESCRIPTION	Q'TY	REMARKS
1	12701-93J30	CAMSHAFT, INTAKE STBD	1	
2	12705-93J30	CAMSHAFT, INTAKE PORT	1	
3	12721-93J30	CAMSHAFT, EXH STBD	1	
4	12725-93J30	CAMSHAFT, EXH PORT	1	
5	12742-93J10	SPROCKET, INTAKE CAMSHAFT (NT:32)	2	
6	12748-93J00	SPROCKET, CAMSHAFT (NT:22)	4	
7	12749-93J00	BOLT, CAMSHAFT	4	
8	09202-05032	PIN (5X12)	3	
9	09261-05006	PIN (5X18)	1	
10	16551-93J00	PLATE, OIL CONTROL	2	
11	16559-93J00	GASKET, VALVE	2	
12	01550-06257	BOLT	8	
13	12891-93J00	TAPPET	24	
14-1	12892-93J00-218	SHIM, TAPPET (T:2.175)	AR	
14-2	12892-93J00-220	SHIM, TAPPET (T:2.200)	AR	
14-3	12892-93J00-223	SHIM, TAPPET (T:2.225)	AR	
14-4	12892-93J00-225	SHIM, TAPPET (T:2.250)	AR	
14-5	12892-93J00-228	SHIM, TAPPET (T:2.275)	AR	
14-6	12892-93J00-230	SHIM, TAPPET (T:2.300)	AR	
14-7	12892-93J00-233	SHIM, TAPPET (T:2.325)	AR	
14-8	12892-93J00-235	SHIM, TAPPET (T:2.350)	AR	
14-9	12892-93J00-238	SHIM, TAPPET (T:2.375)	AR	
14-10	12892-93J00-240	SHIM, TAPPET (T:2.400)	AR	
14-11	12892-93J00-243	SHIM, TAPPET (T:2.425)	AR	
14-12	12892-93J00-245	SHIM, TAPPET (T:2.450)	AR	
14-13	12892-93J00-248	SHIM, TAPPET (T:2.475)	AR	
14-14	12892-93J00-250	SHIM, TAPPET (T:2.500)	AR	
14-15	12892-93J00-253	SHIM, TAPPET (T:2.525)	AR	
14-16	12892-93J00-255	SHIM, TAPPET (T:2.550)	AR	
14-17	12892-93J00-258	SHIM, TAPPET (T:2.575)	AR	
14-18	12892-93J00-260	SHIM, TAPPET (T:2.600)	AR	
14-19	12892-93J00-263	SHIM, TAPPET (T:2.625)	AR	
14-20	12892-93J00-265	SHIM, TAPPET (T:2.650)	AR	

FIG.121B

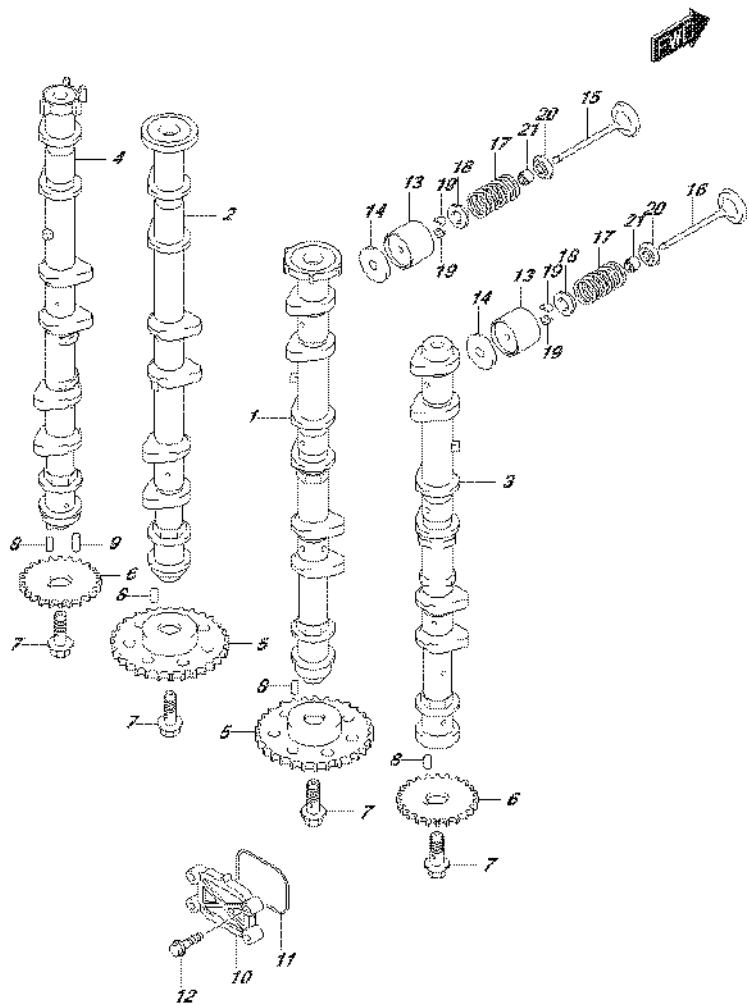


FIG.121B (1-D-4) CAMSHAFT (DF200T E40)

REF NO.	PART NO.	DESCRIPTION	Q'TY	REMARKS
14-21	12892-93J00-268	SHIM, TAPPET (T:2.675)	AR	
14-22	12892-93J00-270	SHIM, TAPPET (T:2.700)	AR	
14-23	12892-93J00-273	SHIM, TAPPET (T:2.725)	AR	
14-24	12892-93J00-275	SHIM, TAPPET (T:2.750)	AR	
14-25	12892-93J00-278	SHIM, TAPPET (T:2.775)	AR	
14-26	12892-93J00-280	SHIM, TAPPET (T:2.800)	AR	
14-27	12892-93J00-283	SHIM, TAPPET (T:2.825)	AR	
14-28	12892-93J00-285	SHIM, TAPPET (T:2.850)	AR	
14-29	12892-93J00-288	SHIM, TAPPET (T:2.875)	AR	
14-30	12892-93J00-290	SHIM, TAPPET (T:2.900)	AR	
14-31	12892-93J00-293	SHIM, TAPPET (T:2.925)	AR	
14-32	12892-93J00-295	SHIM, TAPPET (T:2.950)	AR	
14-33	12892-93J00-298	SHIM, TAPPET (T:2.975)	AR	
14-34	12892-93J00-300	SHIM, TAPPET (T:3.000)	AR	
15	12911-93J00	VALVE, INTAKE	12	
16	12915-93J50	VALVE, EXHAUST	12	
17	12921-93J10	SPRING, VALVE	24	
18	12931-78G00	RETAINER, VALVE SPRING	24	
19	12932-24400	COTTER, VALVE	48	
20	12933-69G10	SEAT, VALVE SPRING	24	
21	09289-05012	OIL SEAL (5.5X11.5X9.3)	24	

FIG.121C

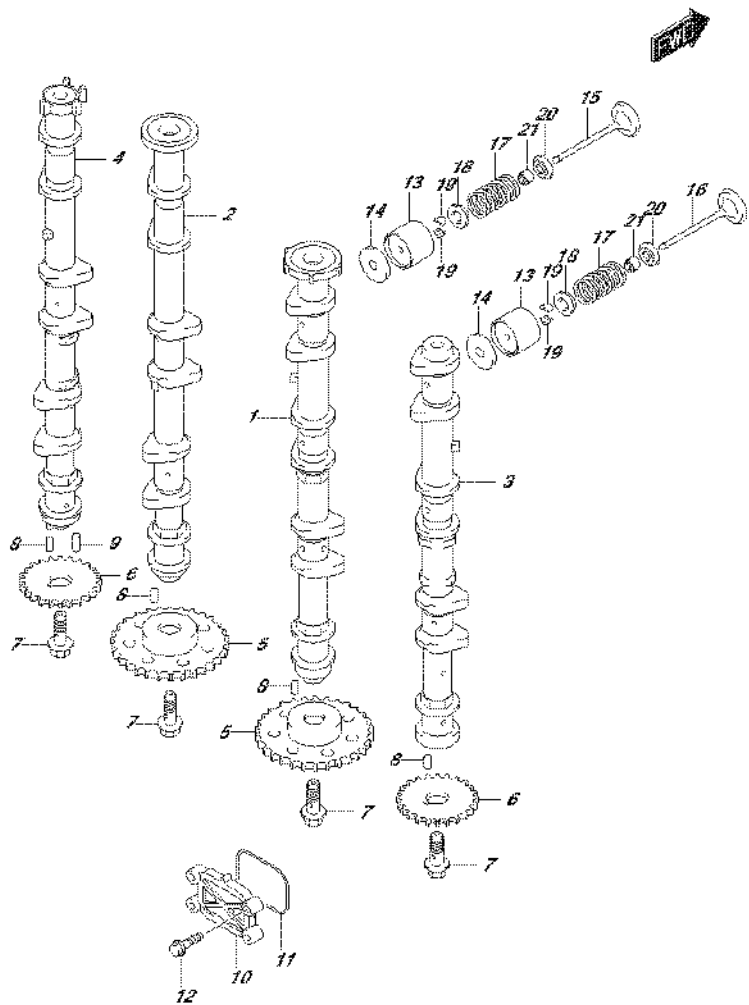


FIG.121C (1-D-5) CAMSHAFT (DF200Z E01)

REF NO.	PART NO.	DESCRIPTION	Q'TY	REMARKS
1	12701-93J30	CAMSHAFT, INTAKE STBD	1	
2	12705-93J30	CAMSHAFT, INTAKE PORT	1	
3	12721-93J30	CAMSHAFT, EXH STBD	1	
4	12725-93J30	CAMSHAFT, EXH PORT	1	
5	12742-93J10	SPROCKET, INTAKE CAMSHAFT (NT:32)	2	
6	12748-93J00	SPROCKET, CAMSHAFT (NT:22)	4	
7	12749-93J00	BOLT, CAMSHAFT	4	
8	09202-05032	PIN (5X12)	3	
9	09261-05006	PIN (5X18)	1	
10	16551-93J00	PLATE, OIL CONTROL	2	
11	16559-93J00	GASKET, VALVE	2	
12	01550-06257	BOLT	8	
13	12891-93J00	TAPPET	24	
14-1	12892-93J00-218	SHIM, TAPPET (T:2.175)	AR	
14-2	12892-93J00-220	SHIM, TAPPET (T:2.200)	AR	
14-3	12892-93J00-223	SHIM, TAPPET (T:2.225)	AR	
14-4	12892-93J00-225	SHIM, TAPPET (T:2.250)	AR	
14-5	12892-93J00-228	SHIM, TAPPET (T:2.275)	AR	
14-6	12892-93J00-230	SHIM, TAPPET (T:2.300)	AR	
14-7	12892-93J00-233	SHIM, TAPPET (T:2.325)	AR	
14-8	12892-93J00-235	SHIM, TAPPET (T:2.350)	AR	
14-9	12892-93J00-238	SHIM, TAPPET (T:2.375)	AR	
14-10	12892-93J00-240	SHIM, TAPPET (T:2.400)	AR	
14-11	12892-93J00-243	SHIM, TAPPET (T:2.425)	AR	
14-12	12892-93J00-245	SHIM, TAPPET (T:2.450)	AR	
14-13	12892-93J00-248	SHIM, TAPPET (T:2.475)	AR	
14-14	12892-93J00-250	SHIM, TAPPET (T:2.500)	AR	
14-15	12892-93J00-253	SHIM, TAPPET (T:2.525)	AR	
14-16	12892-93J00-255	SHIM, TAPPET (T:2.550)	AR	
14-17	12892-93J00-258	SHIM, TAPPET (T:2.575)	AR	
14-18	12892-93J00-260	SHIM, TAPPET (T:2.600)	AR	
14-19	12892-93J00-263	SHIM, TAPPET (T:2.625)	AR	
14-20	12892-93J00-265	SHIM, TAPPET (T:2.650)	AR	

FIG.121C

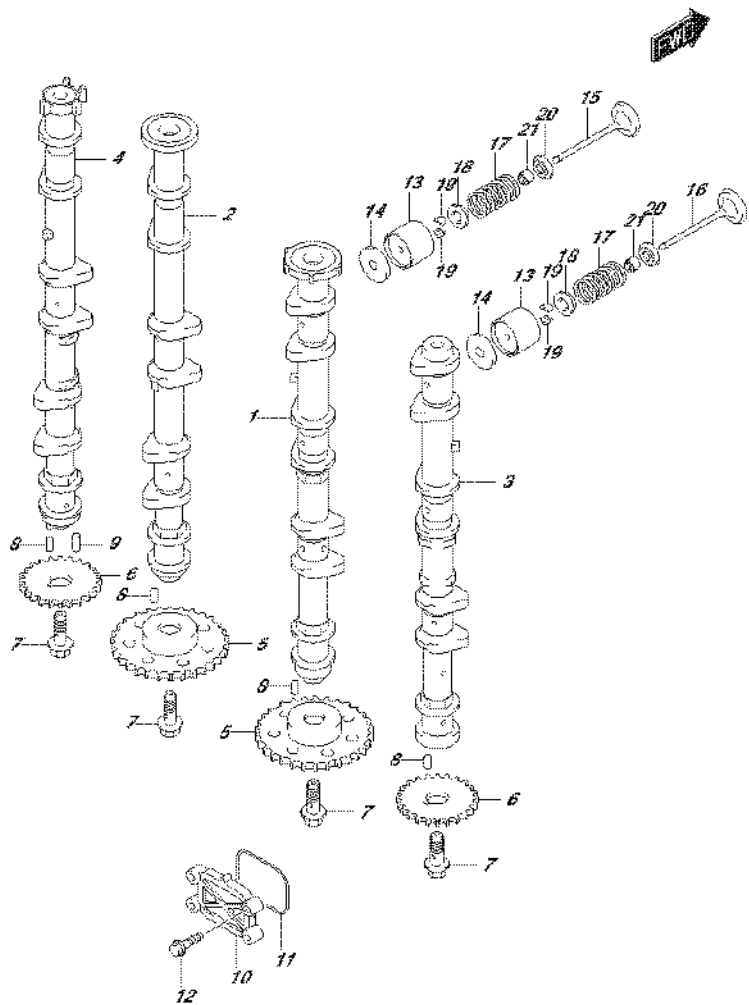


FIG.121C (1-D-6) CAMSHAFT (DF200Z E01)

REF NO.	PART NO.	DESCRIPTION	Q'TY	REMARKS
14-21	12892-93J00-268	SHIM, TAPPET (T:2.675)	AR	
14-22	12892-93J00-270	SHIM, TAPPET (T:2.700)	AR	
14-23	12892-93J00-273	SHIM, TAPPET (T:2.725)	AR	
14-24	12892-93J00-275	SHIM, TAPPET (T:2.750)	AR	
14-25	12892-93J00-278	SHIM, TAPPET (T:2.775)	AR	
14-26	12892-93J00-280	SHIM, TAPPET (T:2.800)	AR	
14-27	12892-93J00-283	SHIM, TAPPET (T:2.825)	AR	
14-28	12892-93J00-285	SHIM, TAPPET (T:2.850)	AR	
14-29	12892-93J00-288	SHIM, TAPPET (T:2.875)	AR	
14-30	12892-93J00-290	SHIM, TAPPET (T:2.900)	AR	
14-31	12892-93J00-293	SHIM, TAPPET (T:2.925)	AR	
14-32	12892-93J00-295	SHIM, TAPPET (T:2.950)	AR	
14-33	12892-93J00-298	SHIM, TAPPET (T:2.975)	AR	
14-34	12892-93J00-300	SHIM, TAPPET (T:3.000)	AR	
15	12911-93J00	VALVE, INTAKE	12	
16	12915-93J50	VALVE, EXHAUST	12	
17	12921-93J10	SPRING, VALVE	24	
18	12931-78G00	RETAINER, VALVE SPRING	24	
19	12932-24400	COTTER, VALVE	48	
20	12933-69G10	SEAT, VALVE SPRING	24	
21	09289-05012	OIL SEAL (5.5X11.5X9.3)	24	

FIG.121D

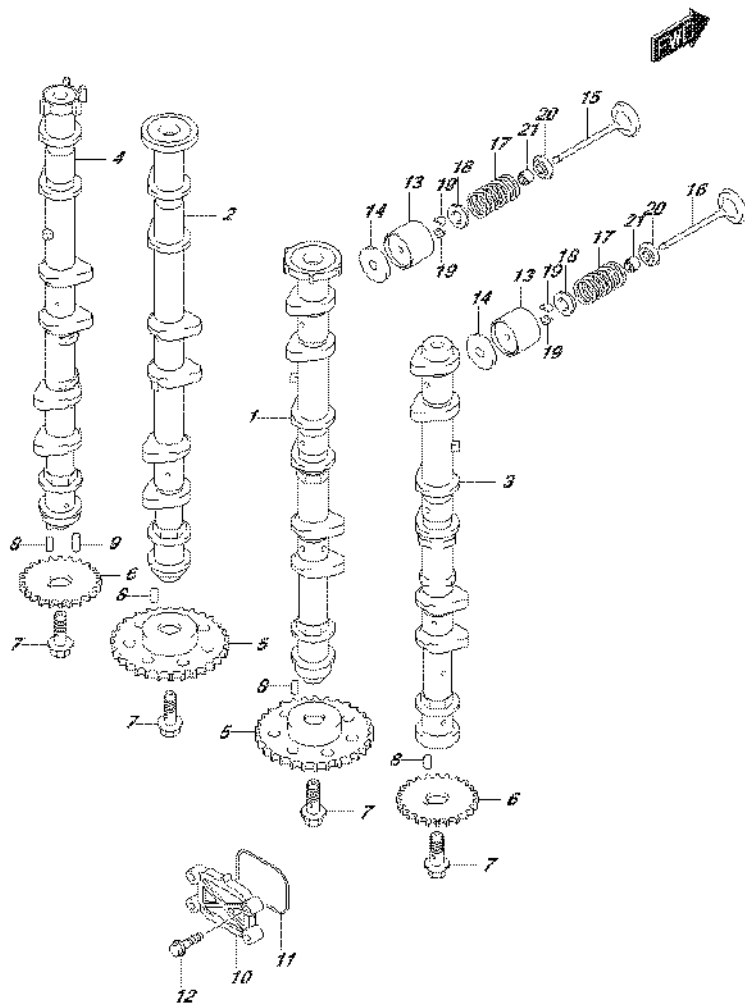


FIG.121D (1-D-7) CAMSHAFT (DF200Z E40)

REF NO.	PART NO.	DESCRIPTION	Q'TY	REMARKS
1	12701-93J30	CAMSHAFT, INTAKE STBD	1	
2	12705-93J30	CAMSHAFT, INTAKE PORT	1	
3	12721-93J30	CAMSHAFT, EXH STBD	1	
4	12725-93J30	CAMSHAFT, EXH PORT	1	
5	12742-93J10	SPROCKET, INTAKE CAMSHAFT (NT:32)	2	
6	12748-93J00	SPROCKET, CAMSHAFT (NT:22)	4	
7	12749-93J00	BOLT, CAMSHAFT	4	
8	09202-05032	PIN (5X12)	3	
9	09261-05006	PIN (5X18)	1	
10	16551-93J00	PLATE, OIL CONTROL	2	
11	16559-93J00	GASKET, VALVE	2	
12	01550-06257	BOLT	8	
13	12891-93J00	TAPPET	24	
14-1	12892-93J00-218	SHIM, TAPPET (T:2.175)	AR	
14-2	12892-93J00-220	SHIM, TAPPET (T:2.200)	AR	
14-3	12892-93J00-223	SHIM, TAPPET (T:2.225)	AR	
14-4	12892-93J00-225	SHIM, TAPPET (T:2.250)	AR	
14-5	12892-93J00-228	SHIM, TAPPET (T:2.275)	AR	
14-6	12892-93J00-230	SHIM, TAPPET (T:2.300)	AR	
14-7	12892-93J00-233	SHIM, TAPPET (T:2.325)	AR	
14-8	12892-93J00-235	SHIM, TAPPET (T:2.350)	AR	
14-9	12892-93J00-238	SHIM, TAPPET (T:2.375)	AR	
14-10	12892-93J00-240	SHIM, TAPPET (T:2.400)	AR	
14-11	12892-93J00-243	SHIM, TAPPET (T:2.425)	AR	
14-12	12892-93J00-245	SHIM, TAPPET (T:2.450)	AR	
14-13	12892-93J00-248	SHIM, TAPPET (T:2.475)	AR	
14-14	12892-93J00-250	SHIM, TAPPET (T:2.500)	AR	
14-15	12892-93J00-253	SHIM, TAPPET (T:2.525)	AR	
14-16	12892-93J00-255	SHIM, TAPPET (T:2.550)	AR	
14-17	12892-93J00-258	SHIM, TAPPET (T:2.575)	AR	
14-18	12892-93J00-260	SHIM, TAPPET (T:2.600)	AR	
14-19	12892-93J00-263	SHIM, TAPPET (T:2.625)	AR	
14-20	12892-93J00-265	SHIM, TAPPET (T:2.650)	AR	

FIG.121D

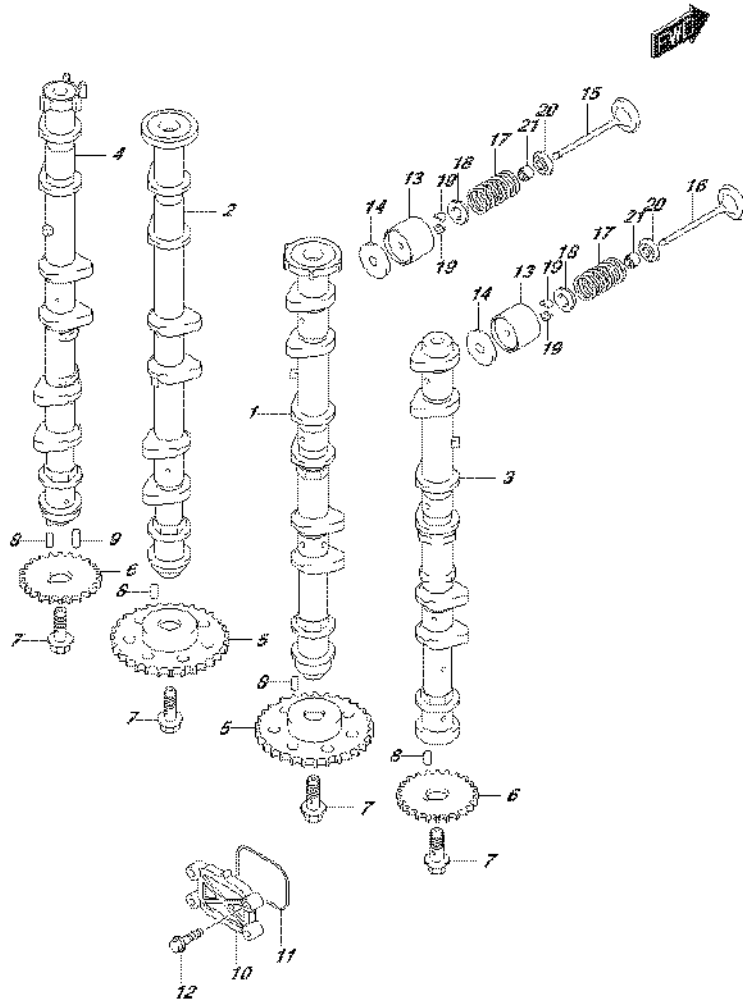


FIG.121D (1-D-8) CAMSHAFT (DF200Z E40)

REF NO.	PART NO.	DESCRIPTION	Q'TY	REMARKS
14-21	12892-93J00-268	SHIM, TAPPET (T:2.675)	AR	
14-22	12892-93J00-270	SHIM, TAPPET (T:2.700)	AR	
14-23	12892-93J00-273	SHIM, TAPPET (T:2.725)	AR	
14-24	12892-93J00-275	SHIM, TAPPET (T:2.750)	AR	
14-25	12892-93J00-278	SHIM, TAPPET (T:2.775)	AR	
14-26	12892-93J00-280	SHIM, TAPPET (T:2.800)	AR	
14-27	12892-93J00-283	SHIM, TAPPET (T:2.825)	AR	
14-28	12892-93J00-285	SHIM, TAPPET (T:2.850)	AR	
14-29	12892-93J00-288	SHIM, TAPPET (T:2.875)	AR	
14-30	12892-93J00-290	SHIM, TAPPET (T:2.900)	AR	
14-31	12892-93J00-293	SHIM, TAPPET (T:2.925)	AR	
14-32	12892-93J00-295	SHIM, TAPPET (T:2.950)	AR	
14-33	12892-93J00-298	SHIM, TAPPET (T:2.975)	AR	
14-34	12892-93J00-300	SHIM, TAPPET (T:3.000)	AR	
15	12911-93J00	VALVE, INTAKE	12	
16	12915-93J50	VALVE, EXHAUST	12	
17	12921-93J10	SPRING, VALVE	24	
18	12931-78G00	RETAINER, VALVE SPRING	24	
19	12932-24400	COTTER, VALVE	48	
20	12933-69G10	SEAT, VALVE SPRING	24	
21	09289-05012	OIL SEAL (5.5X11.5X9.3)	24	

FIG.121E

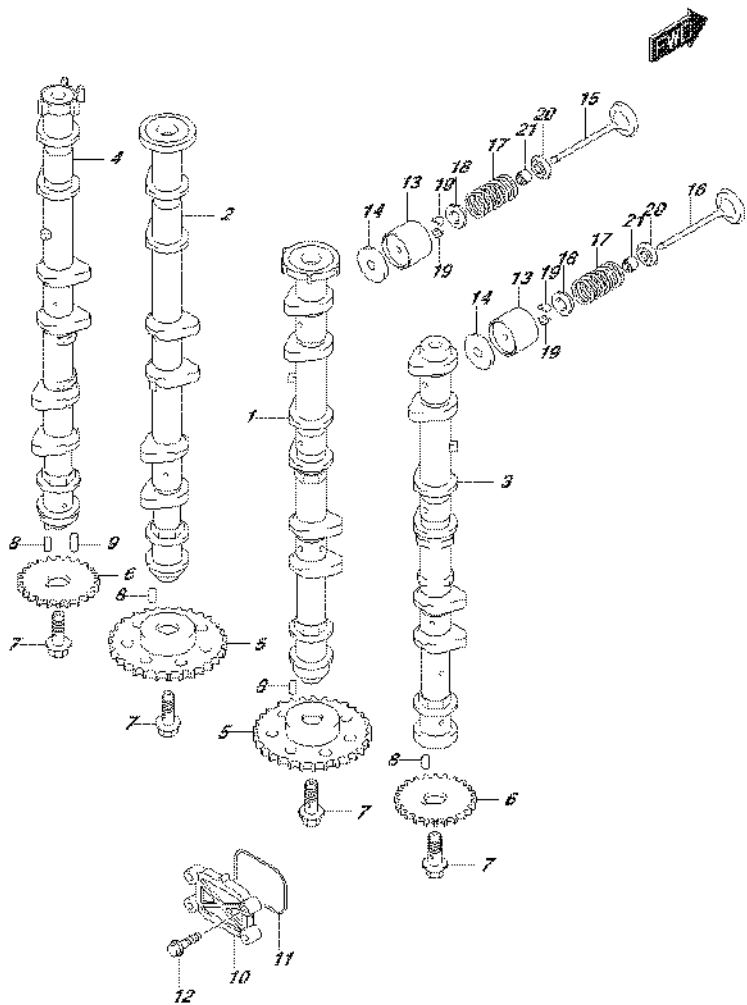


FIG.121E (1-D-9) CAMSHAFT (DF225T E01)

REF NO.	PART NO.	DESCRIPTION	Q'TY	REMARKS
1	12701-93J40	CAMSHAFT, INTAKE STBD	1	
2	12705-93J40	CAMSHAFT, INTAKE PORT	1	
3	12721-93J30	CAMSHAFT, EXH STBD	1	
4	12725-93J30	CAMSHAFT, EXH PORT	1	
5	12742-93J10	SPROCKET, INTAKE CAMSHAFT (NT:32)	2	
6	12748-93J00	SPROCKET, CAMSHAFT (NT:22)	4	
7	12749-93J00	BOLT, CAMSHAFT	4	
8	09202-05032	PIN (5X12)	3	
9	09261-05006	PIN (5X18)	1	
10	16551-93J00	PLATE, OIL CONTROL	2	
11	16559-93J00	GASKET, VALVE	2	
12	01550-06257	BOLT	8	
13	12891-93J00	TAPPET	24	
14-1	12892-93J00-218	SHIM, TAPPET (T:2.175)	AR	
14-2	12892-93J00-220	SHIM, TAPPET (T:2.200)	AR	
14-3	12892-93J00-223	SHIM, TAPPET (T:2.225)	AR	
14-4	12892-93J00-225	SHIM, TAPPET (T:2.250)	AR	
14-5	12892-93J00-228	SHIM, TAPPET (T:2.275)	AR	
14-6	12892-93J00-230	SHIM, TAPPET (T:2.300)	AR	
14-7	12892-93J00-233	SHIM, TAPPET (T:2.325)	AR	
14-8	12892-93J00-235	SHIM, TAPPET (T:2.350)	AR	
14-9	12892-93J00-238	SHIM, TAPPET (T:2.375)	AR	
14-10	12892-93J00-240	SHIM, TAPPET (T:2.400)	AR	
14-11	12892-93J00-243	SHIM, TAPPET (T:2.425)	AR	
14-12	12892-93J00-245	SHIM, TAPPET (T:2.450)	AR	
14-13	12892-93J00-248	SHIM, TAPPET (T:2.475)	AR	
14-14	12892-93J00-250	SHIM, TAPPET (T:2.500)	AR	
14-15	12892-93J00-253	SHIM, TAPPET (T:2.525)	AR	
14-16	12892-93J00-255	SHIM, TAPPET (T:2.550)	AR	
14-17	12892-93J00-258	SHIM, TAPPET (T:2.575)	AR	
14-18	12892-93J00-260	SHIM, TAPPET (T:2.600)	AR	
14-19	12892-93J00-263	SHIM, TAPPET (T:2.625)	AR	
14-20	12892-93J00-265	SHIM, TAPPET (T:2.650)	AR	

FIG.121E

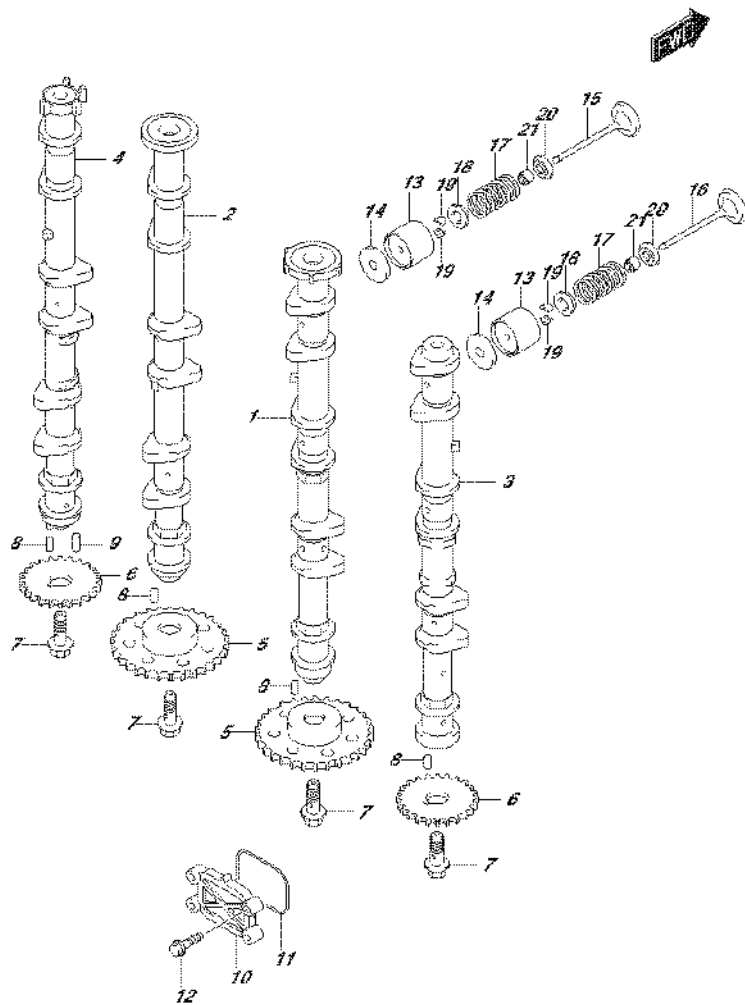


FIG.121E (1-D-10) CAMSHAFT (DF225T E01)

REF NO.	PART NO.	DESCRIPTION	Q'TY	REMARKS
14-21	12892-93J00-268	SHIM, TAPPET (T:2.675)	AR	
14-22	12892-93J00-270	SHIM, TAPPET (T:2.700)	AR	
14-23	12892-93J00-273	SHIM, TAPPET (T:2.725)	AR	
14-24	12892-93J00-275	SHIM, TAPPET (T:2.750)	AR	
14-25	12892-93J00-278	SHIM, TAPPET (T:2.775)	AR	
14-26	12892-93J00-280	SHIM, TAPPET (T:2.800)	AR	
14-27	12892-93J00-283	SHIM, TAPPET (T:2.825)	AR	
14-28	12892-93J00-285	SHIM, TAPPET (T:2.850)	AR	
14-29	12892-93J00-288	SHIM, TAPPET (T:2.875)	AR	
14-30	12892-93J00-290	SHIM, TAPPET (T:2.900)	AR	
14-31	12892-93J00-293	SHIM, TAPPET (T:2.925)	AR	
14-32	12892-93J00-295	SHIM, TAPPET (T:2.950)	AR	
14-33	12892-93J00-298	SHIM, TAPPET (T:2.975)	AR	
14-34	12892-93J00-300	SHIM, TAPPET (T:3.000)	AR	
15	12911-93J00	VALVE, INTAKE	12	
16	12915-93J50	VALVE, EXHAUST	12	
17	12921-93J10	SPRING, VALVE	24	
18	12931-78G00	RETAINER, VALVE SPRING	24	
19	12932-24400	COTTER, VALVE	48	
20	12933-69G10	SEAT, VALVE SPRING	24	
21	09289-05012	OIL SEAL (5.5X11.5X9.3)	24	

FIG.121F

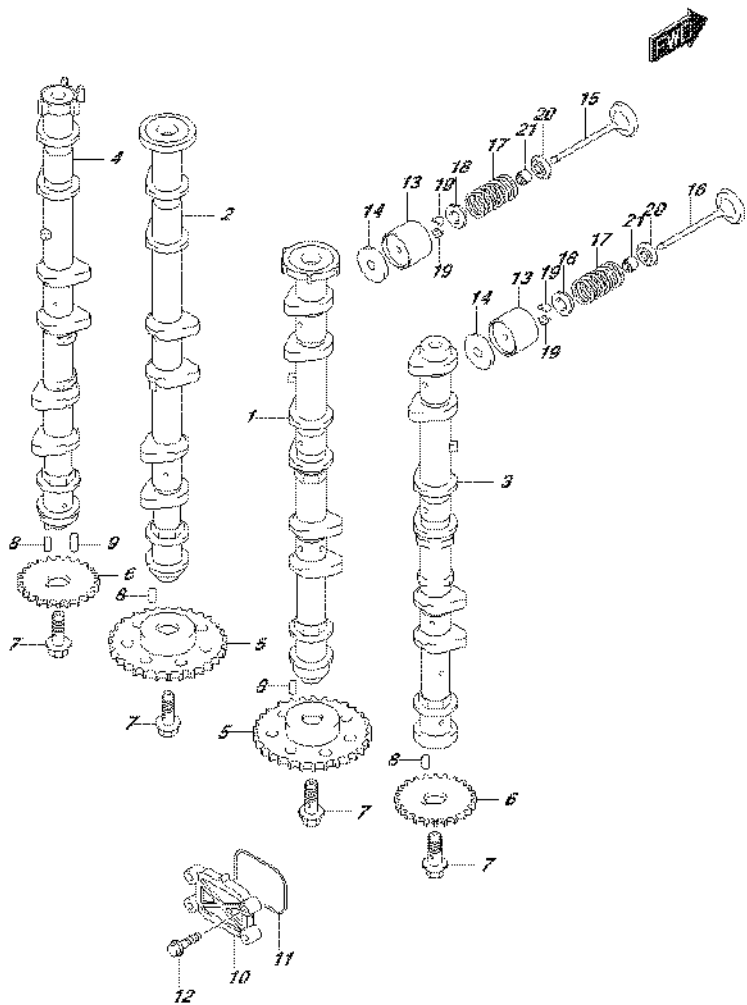


FIG.121F (1-D-11) CAMSHAFT (DF225T E40)

REF NO.	PART NO.	DESCRIPTION	Q'TY	REMARKS
1	12701-93J40	CAMSHAFT, INTAKE STBD	1	
2	12705-93J40	CAMSHAFT, INTAKE PORT	1	
3	12721-93J30	CAMSHAFT, EXH STBD	1	
4	12725-93J30	CAMSHAFT, EXH PORT	1	
5	12742-93J10	SPROCKET, INTAKE CAMSHAFT (NT:32)	2	
6	12748-93J00	SPROCKET, CAMSHAFT (NT:22)	4	
7	12749-93J00	BOLT, CAMSHAFT	4	
8	09202-05032	PIN (5X12)	3	
9	09261-05006	PIN (5X18)	1	
10	16551-93J00	PLATE, OIL CONTROL	2	
11	16559-93J00	GASKET, VALVE	2	
12	01550-06257	BOLT	8	
13	12891-93J00	TAPPET	24	
14-1	12892-93J00-218	SHIM, TAPPET (T:2.175)	AR	
14-2	12892-93J00-220	SHIM, TAPPET (T:2.200)	AR	
14-3	12892-93J00-223	SHIM, TAPPET (T:2.225)	AR	
14-4	12892-93J00-225	SHIM, TAPPET (T:2.250)	AR	
14-5	12892-93J00-228	SHIM, TAPPET (T:2.275)	AR	
14-6	12892-93J00-230	SHIM, TAPPET (T:2.300)	AR	
14-7	12892-93J00-233	SHIM, TAPPET (T:2.325)	AR	
14-8	12892-93J00-235	SHIM, TAPPET (T:2.350)	AR	
14-9	12892-93J00-238	SHIM, TAPPET (T:2.375)	AR	
14-10	12892-93J00-240	SHIM, TAPPET (T:2.400)	AR	
14-11	12892-93J00-243	SHIM, TAPPET (T:2.425)	AR	
14-12	12892-93J00-245	SHIM, TAPPET (T:2.450)	AR	
14-13	12892-93J00-248	SHIM, TAPPET (T:2.475)	AR	
14-14	12892-93J00-250	SHIM, TAPPET (T:2.500)	AR	
14-15	12892-93J00-253	SHIM, TAPPET (T:2.525)	AR	
14-16	12892-93J00-255	SHIM, TAPPET (T:2.550)	AR	
14-17	12892-93J00-258	SHIM, TAPPET (T:2.575)	AR	
14-18	12892-93J00-260	SHIM, TAPPET (T:2.600)	AR	
14-19	12892-93J00-263	SHIM, TAPPET (T:2.625)	AR	
14-20	12892-93J00-265	SHIM, TAPPET (T:2.650)	AR	

FIG.121F

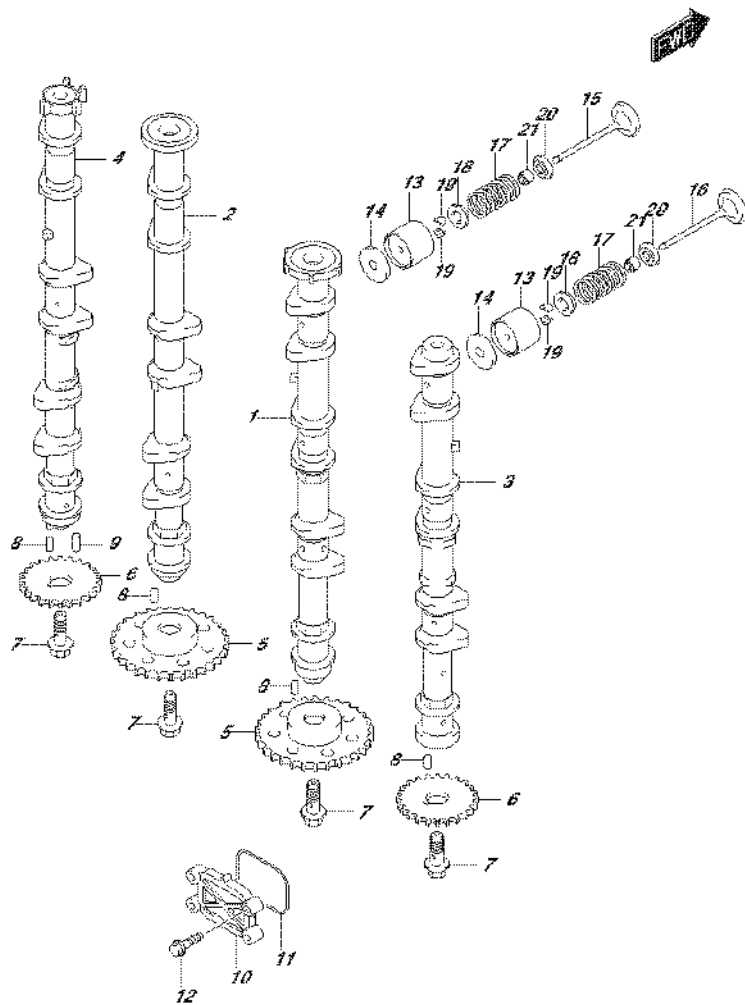


FIG.121F (1-D-12) CAMSHAFT (DF225T E40)

REF NO.	PART NO.	DESCRIPTION	Q'TY	REMARKS
14-21	12892-93J00-268	SHIM, TAPPET (T:2.675)	AR	
14-22	12892-93J00-270	SHIM, TAPPET (T:2.700)	AR	
14-23	12892-93J00-273	SHIM, TAPPET (T:2.725)	AR	
14-24	12892-93J00-275	SHIM, TAPPET (T:2.750)	AR	
14-25	12892-93J00-278	SHIM, TAPPET (T:2.775)	AR	
14-26	12892-93J00-280	SHIM, TAPPET (T:2.800)	AR	
14-27	12892-93J00-283	SHIM, TAPPET (T:2.825)	AR	
14-28	12892-93J00-285	SHIM, TAPPET (T:2.850)	AR	
14-29	12892-93J00-288	SHIM, TAPPET (T:2.875)	AR	
14-30	12892-93J00-290	SHIM, TAPPET (T:2.900)	AR	
14-31	12892-93J00-293	SHIM, TAPPET (T:2.925)	AR	
14-32	12892-93J00-295	SHIM, TAPPET (T:2.950)	AR	
14-33	12892-93J00-298	SHIM, TAPPET (T:2.975)	AR	
14-34	12892-93J00-300	SHIM, TAPPET (T:3.000)	AR	
15	12911-93J00	VALVE, INTAKE	12	
16	12915-93J50	VALVE, EXHAUST	12	
17	12921-93J10	SPRING, VALVE	24	
18	12931-78G00	RETAINER, VALVE SPRING	24	
19	12932-24400	COTTER, VALVE	48	
20	12933-69G10	SEAT, VALVE SPRING	24	
21	09289-05012	OIL SEAL (5.5X11.5X9.3)	24	

FIG.121G

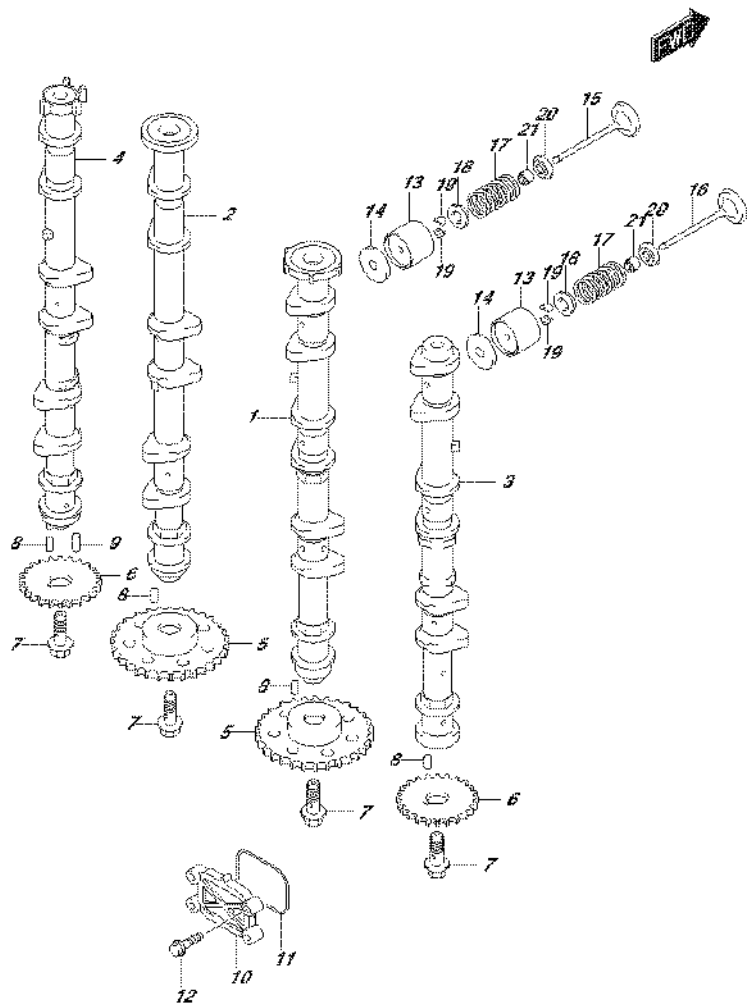


FIG.121G (1-D-13) CAMSHAFT (DF250Z E01)

REF NO.	PART NO.	DESCRIPTION	Q'TY	REMARKS
1	12701-93J40	CAMSHAFT, INTAKE STBD	1	
2	12705-93J40	CAMSHAFT, INTAKE PORT	1	
3	12721-93J30	CAMSHAFT, EXH STBD	1	
4	12725-93J30	CAMSHAFT, EXH PORT	1	
5	12742-93J10	SPROCKET, INTAKE CAMSHAFT (NT:32)	2	
6	12748-93J00	SPROCKET, CAMSHAFT (NT:22)	4	
7	12749-93J00	BOLT, CAMSHAFT	4	
8	09202-05032	PIN (5X12)	3	
9	09261-05006	PIN (5X18)	1	
10	16551-93J00	PLATE, OIL CONTROL	2	
11	16559-93J00	GASKET, VALVE	2	
12	01550-06257	BOLT	8	
13	12891-93J00	TAPPET	24	
14-1	12892-93J00-218	SHIM, TAPPET (T:2.175)	AR	
14-2	12892-93J00-220	SHIM, TAPPET (T:2.200)	AR	
14-3	12892-93J00-223	SHIM, TAPPET (T:2.225)	AR	
14-4	12892-93J00-225	SHIM, TAPPET (T:2.250)	AR	
14-5	12892-93J00-228	SHIM, TAPPET (T:2.275)	AR	
14-6	12892-93J00-230	SHIM, TAPPET (T:2.300)	AR	
14-7	12892-93J00-233	SHIM, TAPPET (T:2.325)	AR	
14-8	12892-93J00-235	SHIM, TAPPET (T:2.350)	AR	
14-9	12892-93J00-238	SHIM, TAPPET (T:2.375)	AR	
14-10	12892-93J00-240	SHIM, TAPPET (T:2.400)	AR	
14-11	12892-93J00-243	SHIM, TAPPET (T:2.425)	AR	
14-12	12892-93J00-245	SHIM, TAPPET (T:2.450)	AR	
14-13	12892-93J00-248	SHIM, TAPPET (T:2.475)	AR	
14-14	12892-93J00-250	SHIM, TAPPET (T:2.500)	AR	
14-15	12892-93J00-253	SHIM, TAPPET (T:2.525)	AR	
14-16	12892-93J00-255	SHIM, TAPPET (T:2.550)	AR	
14-17	12892-93J00-258	SHIM, TAPPET (T:2.575)	AR	
14-18	12892-93J00-260	SHIM, TAPPET (T:2.600)	AR	
14-19	12892-93J00-263	SHIM, TAPPET (T:2.625)	AR	
14-20	12892-93J00-265	SHIM, TAPPET (T:2.650)	AR	

FIG.121G

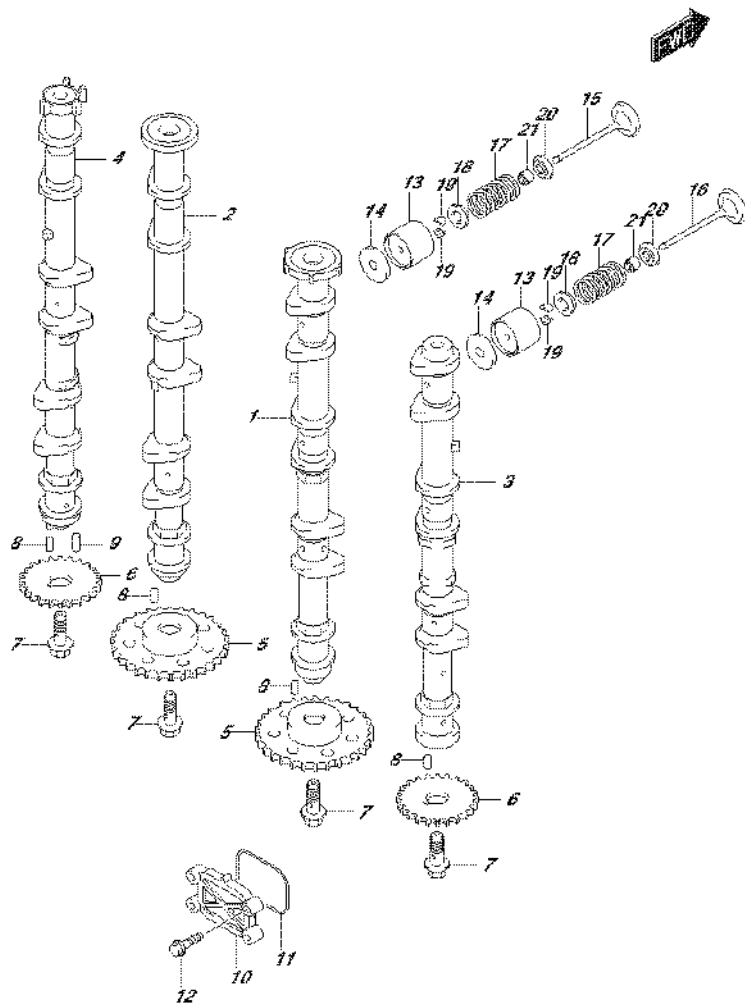


FIG.121G (1-D-14) CAMSHAFT (DF250Z E01)

REF NO.	PART NO.	DESCRIPTION	Q'TY	REMARKS
14-21	12892-93J00-268	SHIM, TAPPET (T:2.675)	AR	
14-22	12892-93J00-270	SHIM, TAPPET (T:2.700)	AR	
14-23	12892-93J00-273	SHIM, TAPPET (T:2.725)	AR	
14-24	12892-93J00-275	SHIM, TAPPET (T:2.750)	AR	
14-25	12892-93J00-278	SHIM, TAPPET (T:2.775)	AR	
14-26	12892-93J00-280	SHIM, TAPPET (T:2.800)	AR	
14-27	12892-93J00-283	SHIM, TAPPET (T:2.825)	AR	
14-28	12892-93J00-285	SHIM, TAPPET (T:2.850)	AR	
14-29	12892-93J00-288	SHIM, TAPPET (T:2.875)	AR	
14-30	12892-93J00-290	SHIM, TAPPET (T:2.900)	AR	
14-31	12892-93J00-293	SHIM, TAPPET (T:2.925)	AR	
14-32	12892-93J00-295	SHIM, TAPPET (T:2.950)	AR	
14-33	12892-93J00-298	SHIM, TAPPET (T:2.975)	AR	
14-34	12892-93J00-300	SHIM, TAPPET (T:3.000)	AR	
15	12911-93J00	VALVE, INTAKE	12	
16	12915-93J50	VALVE, EXHAUST	12	
17	12921-93J10	SPRING, VALVE	24	
18	12931-78G00	RETAINER, VALVE SPRING	24	
19	12932-24400	COTTER, VALVE	48	
20	12933-69G10	SEAT, VALVE SPRING	24	
21	09289-05012	OIL SEAL (5.5X11.5X9.3)	24	

FIG.121H

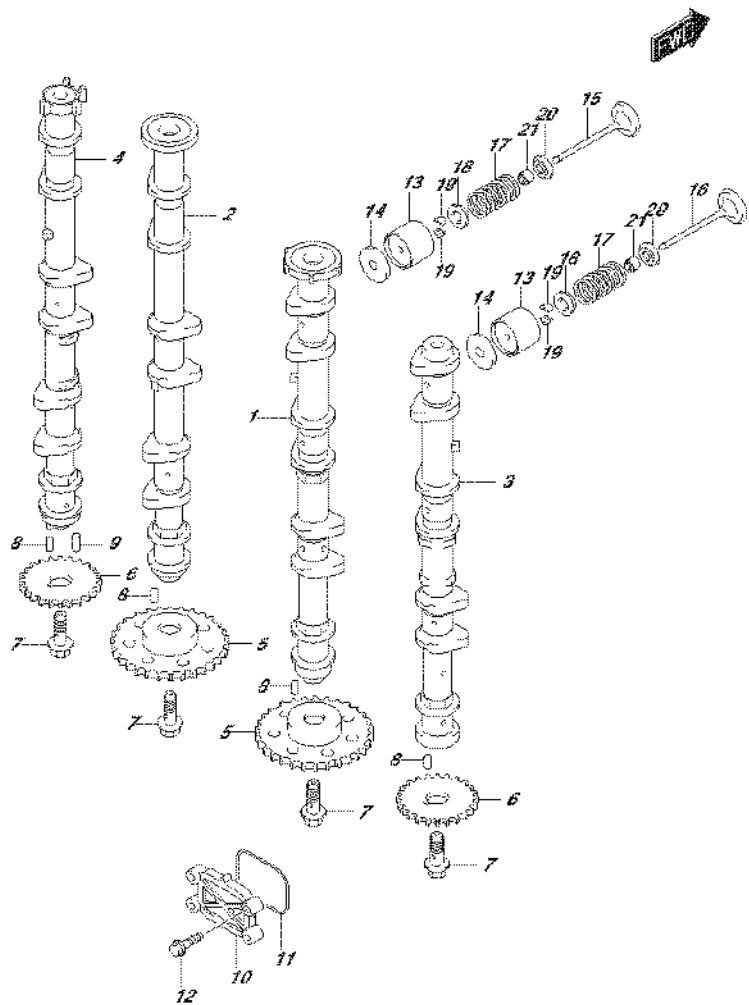


FIG.121H (1-D-15) CAMSHAFT (DF225Z E40)

REF NO.	PART NO.	DESCRIPTION	Q'TY	REMARKS
1	12701-93J40	CAMSHAFT, INTAKE STBD	1	
2	12705-93J40	CAMSHAFT, INTAKE PORT	1	
3	12721-93J30	CAMSHAFT, EXH STBD	1	
4	12725-93J30	CAMSHAFT, EXH PORT	1	
5	12742-93J10	SPROCKET, INTAKE CAMSHAFT (NT:32)	2	
6	12748-93J00	SPROCKET, CAMSHAFT (NT:22)	4	
7	12749-93J00	BOLT, CAMSHAFT	4	
8	09202-05032	PIN (5X12)	3	
9	09261-05006	PIN (5X18)	1	
10	16551-93J00	PLATE, OIL CONTROL	2	
11	16559-93J00	GASKET, VALVE	2	
12	01550-06257	BOLT	8	
13	12891-93J00	TAPPET	24	
14-1	12892-93J00-218	SHIM, TAPPET (T:2.175)	AR	
14-2	12892-93J00-220	SHIM, TAPPET (T:2.200)	AR	
14-3	12892-93J00-223	SHIM, TAPPET (T:2.225)	AR	
14-4	12892-93J00-225	SHIM, TAPPET (T:2.250)	AR	
14-5	12892-93J00-228	SHIM, TAPPET (T:2.275)	AR	
14-6	12892-93J00-230	SHIM, TAPPET (T:2.300)	AR	
14-7	12892-93J00-233	SHIM, TAPPET (T:2.325)	AR	
14-8	12892-93J00-235	SHIM, TAPPET (T:2.350)	AR	
14-9	12892-93J00-238	SHIM, TAPPET (T:2.375)	AR	
14-10	12892-93J00-240	SHIM, TAPPET (T:2.400)	AR	
14-11	12892-93J00-243	SHIM, TAPPET (T:2.425)	AR	
14-12	12892-93J00-245	SHIM, TAPPET (T:2.450)	AR	
14-13	12892-93J00-248	SHIM, TAPPET (T:2.475)	AR	
14-14	12892-93J00-250	SHIM, TAPPET (T:2.500)	AR	
14-15	12892-93J00-253	SHIM, TAPPET (T:2.525)	AR	
14-16	12892-93J00-255	SHIM, TAPPET (T:2.550)	AR	
14-17	12892-93J00-258	SHIM, TAPPET (T:2.575)	AR	
14-18	12892-93J00-260	SHIM, TAPPET (T:2.600)	AR	
14-19	12892-93J00-263	SHIM, TAPPET (T:2.625)	AR	
14-20	12892-93J00-265	SHIM, TAPPET (T:2.650)	AR	

FIG.121H

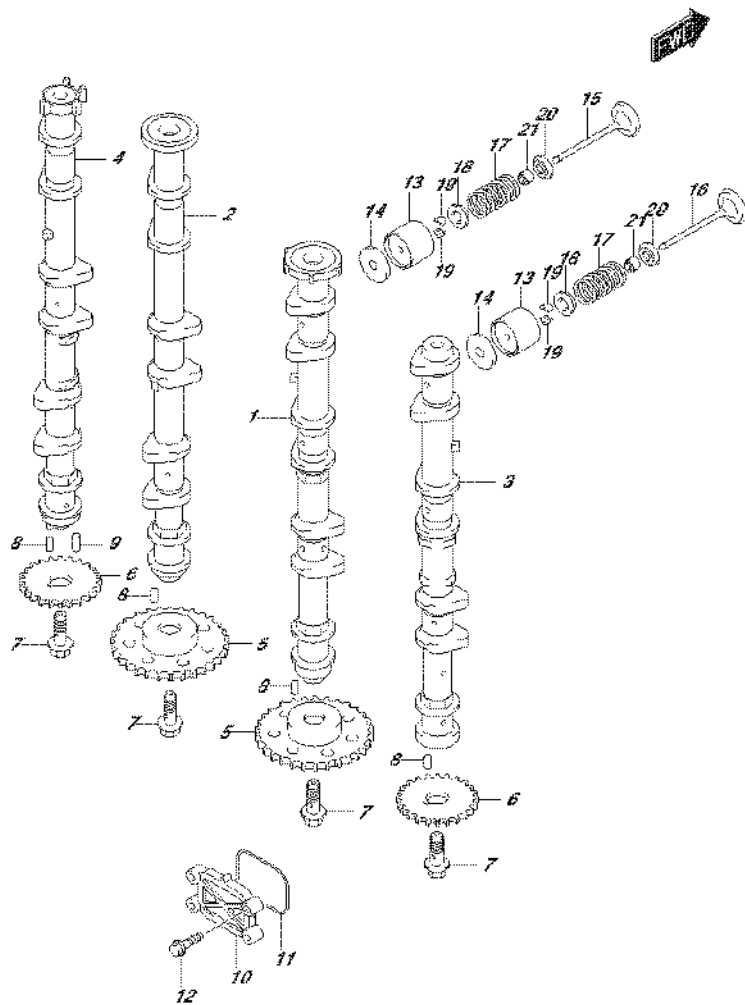


FIG.121H (1-E-2) CAMSHAFT (DF225Z E40)

REF NO.	PART NO.	DESCRIPTION	Q'TY	REMARKS
14-21	12892-93J00-268	SHIM, TAPPET (T:2.675)	AR	
14-22	12892-93J00-270	SHIM, TAPPET (T:2.700)	AR	
14-23	12892-93J00-273	SHIM, TAPPET (T:2.725)	AR	
14-24	12892-93J00-275	SHIM, TAPPET (T:2.750)	AR	
14-25	12892-93J00-278	SHIM, TAPPET (T:2.775)	AR	
14-26	12892-93J00-280	SHIM, TAPPET (T:2.800)	AR	
14-27	12892-93J00-283	SHIM, TAPPET (T:2.825)	AR	
14-28	12892-93J00-285	SHIM, TAPPET (T:2.850)	AR	
14-29	12892-93J00-288	SHIM, TAPPET (T:2.875)	AR	
14-30	12892-93J00-290	SHIM, TAPPET (T:2.900)	AR	
14-31	12892-93J00-293	SHIM, TAPPET (T:2.925)	AR	
14-32	12892-93J00-295	SHIM, TAPPET (T:2.950)	AR	
14-33	12892-93J00-298	SHIM, TAPPET (T:2.975)	AR	
14-34	12892-93J00-300	SHIM, TAPPET (T:3.000)	AR	
15	12911-93J00	VALVE, INTAKE	12	
16	12915-93J50	VALVE, EXHAUST	12	
17	12921-93J10	SPRING, VALVE	24	
18	12931-78G00	RETAINER, VALVE SPRING	24	
19	12932-24400	COTTER, VALVE	48	
20	12933-69G10	SEAT, VALVE SPRING	24	
21	09289-05012	OIL SEAL (5.5X11.5X9.3)	24	

FIG.121J

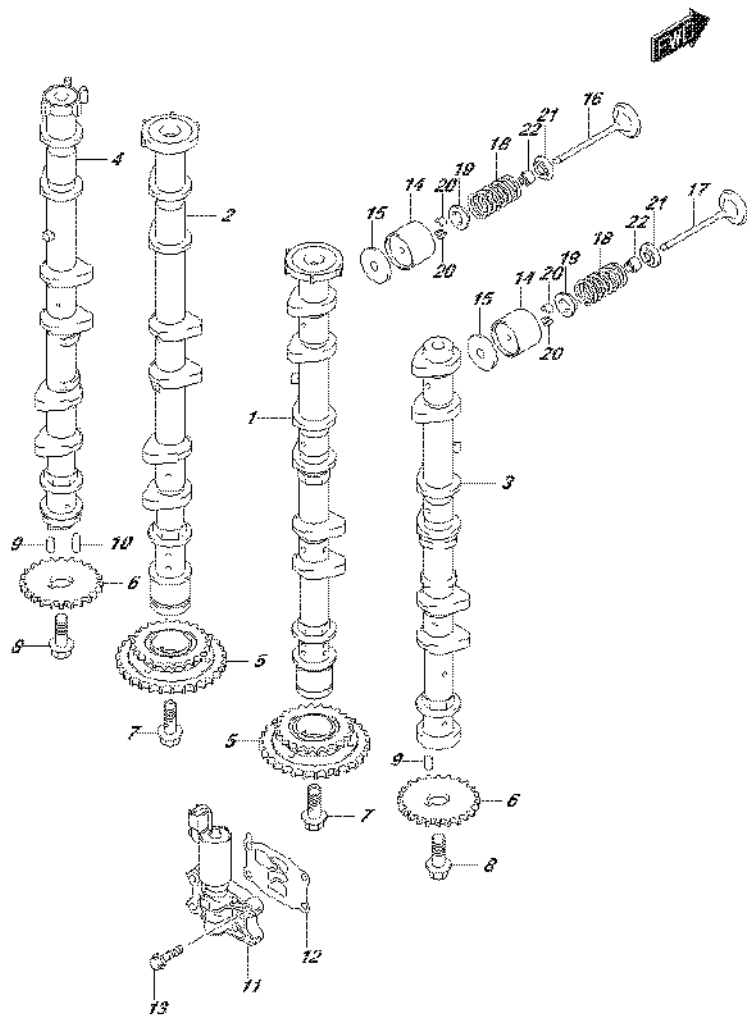


FIG.121J (1-E-3) CAMSHAFT (DF250T E01)

REF NO.	PART NO.	DESCRIPTION	Q'TY	REMARKS
1	12701-93J50	CAMSHAFT, INTAKE STBD	1	
2	12705-93J50	CAMSHAFT, INTAKE PORT	1	
3	12721-93J50	CAMSHAFT, EXH STBD	1	
4	12729-93J50	CAMSHAFT, EXH PORT	1	
5	12740-93J00	SPROCKET ASSY, CAM TIMING (NT:22/32)	2	
6	12748-93J00	SPROCKET, CAMSHAFT (NT:22)	2	
7	12753-93J00	BOLT, INTAKE CAMSHAFT	2	
8	12749-93J00	BOLT, CAMSHAFT EXHAUST	2	
9	09202-05032	PIN (5X12)	3	
10	09261-05006	PIN (5X18)	1	
11	16550-93J00	VALVE, OIL CONTROL	2	
12	16555-93J00	GASKET, VALVE	2	
13	01550-06257	BOLT	8	
14	12891-93J00	TAPPET	24	
15-1	12892-93J00-218	SHIM, TAPPET (T:2.175)	AR	
15-2	12892-93J00-220	SHIM, TAPPET (T:2.200)	AR	
15-3	12892-93J00-223	SHIM, TAPPET (T:2.225)	AR	
15-4	12892-93J00-225	SHIM, TAPPET (T:2.250)	AR	
15-5	12892-93J00-228	SHIM, TAPPET (T:2.275)	AR	
15-6	12892-93J00-230	SHIM, TAPPET (T:2.300)	AR	
15-7	12892-93J00-233	SHIM, TAPPET (T:2.325)	AR	
15-8	12892-93J00-235	SHIM, TAPPET (T:2.350)	AR	
15-9	12892-93J00-238	SHIM, TAPPET (T:2.375)	AR	
15-10	12892-93J00-240	SHIM, TAPPET (T:2.400)	AR	
15-11	12892-93J00-243	SHIM, TAPPET (T:2.425)	AR	
15-12	12892-93J00-245	SHIM, TAPPET (T:2.450)	AR	
15-13	12892-93J00-248	SHIM, TAPPET (T:2.475)	AR	
15-14	12892-93J00-250	SHIM, TAPPET (T:2.500)	AR	
15-15	12892-93J00-253	SHIM, TAPPET (T:2.525)	AR	
15-16	12892-93J00-255	SHIM, TAPPET (T:2.550)	AR	
15-17	12892-93J00-258	SHIM, TAPPET (T:2.575)	AR	
15-18	12892-93J00-260	SHIM, TAPPET (T:2.600)	AR	
15-19	12892-93J00-263	SHIM, TAPPET (T:2.625)	AR	

FIG.121J

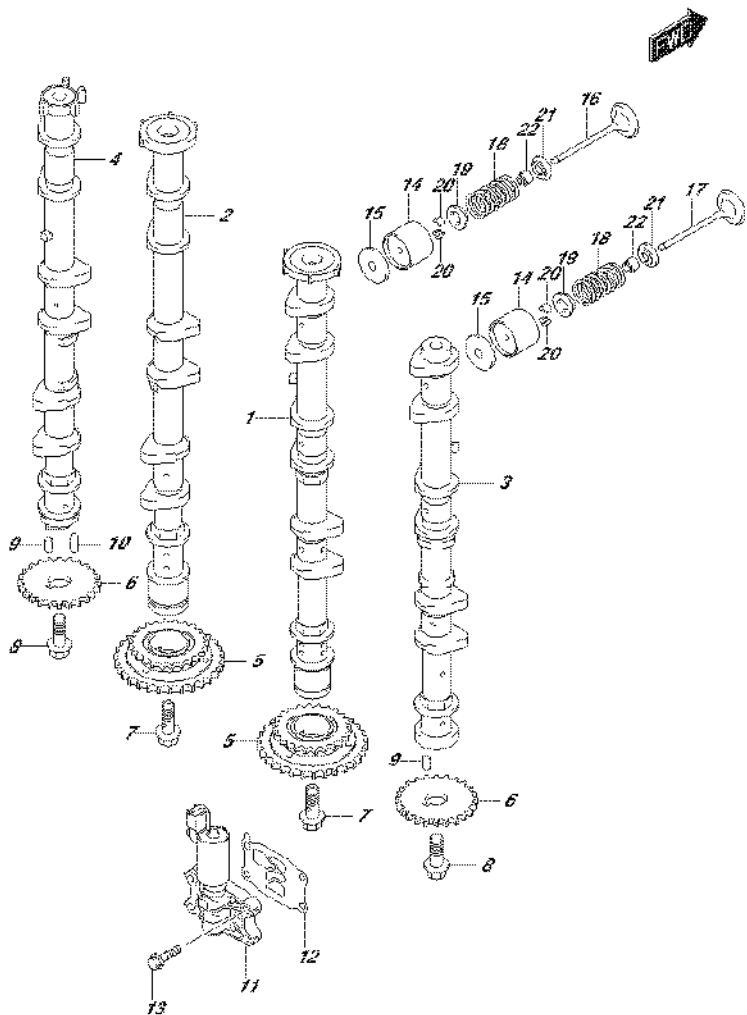


FIG.121J (1-E-4) CAMSHAFT (DF250T E01)

REF NO.	PART NO.	DESCRIPTION	Q'TY	REMARKS
15-20	12892-93J00-265	SHIM, TAPPET (T:2.650)	AR	
15-21	12892-93J00-268	SHIM, TAPPET (T:2.675)	AR	
15-22	12892-93J00-270	SHIM, TAPPET (T:2.700)	AR	
15-23	12892-93J00-273	SHIM, TAPPET (T:2.725)	AR	
15-24	12892-93J00-275	SHIM, TAPPET (T:2.750)	AR	
15-25	12892-93J00-278	SHIM, TAPPET (T:2.775)	AR	
15-26	12892-93J00-280	SHIM, TAPPET (T:2.800)	AR	
15-27	12892-93J00-283	SHIM, TAPPET (T:2.825)	AR	
15-28	12892-93J00-285	SHIM, TAPPET (T:2.850)	AR	
15-29	12892-93J00-288	SHIM, TAPPET (T:2.875)	AR	
15-30	12892-93J00-290	SHIM, TAPPET (T:2.900)	AR	
15-31	12892-93J00-293	SHIM, TAPPET (T:2.925)	AR	
15-32	12892-93J00-295	SHIM, TAPPET (T:2.950)	AR	
15-33	12892-93J00-298	SHIM, TAPPET (T:2.975)	AR	
15-34	12892-93J00-300	SHIM, TAPPET (T:3.000)	AR	
16	12911-93J00	VALVE, INTAKE	12	
17	12915-93J50	VALVE, EXHAUST	12	
18	12921-93J10	SPRING, VALVE	24	
19	12931-78G00	RETAINER, VALVE SPRING	24	
20	12932-24400	COTTER, VALVE	48	
21	12933-69G10	SEAT, VALVE SPRING	24	
22	09289-05012	OIL SEAL (5.5X11.5X9.3)	24	

FIG.121K

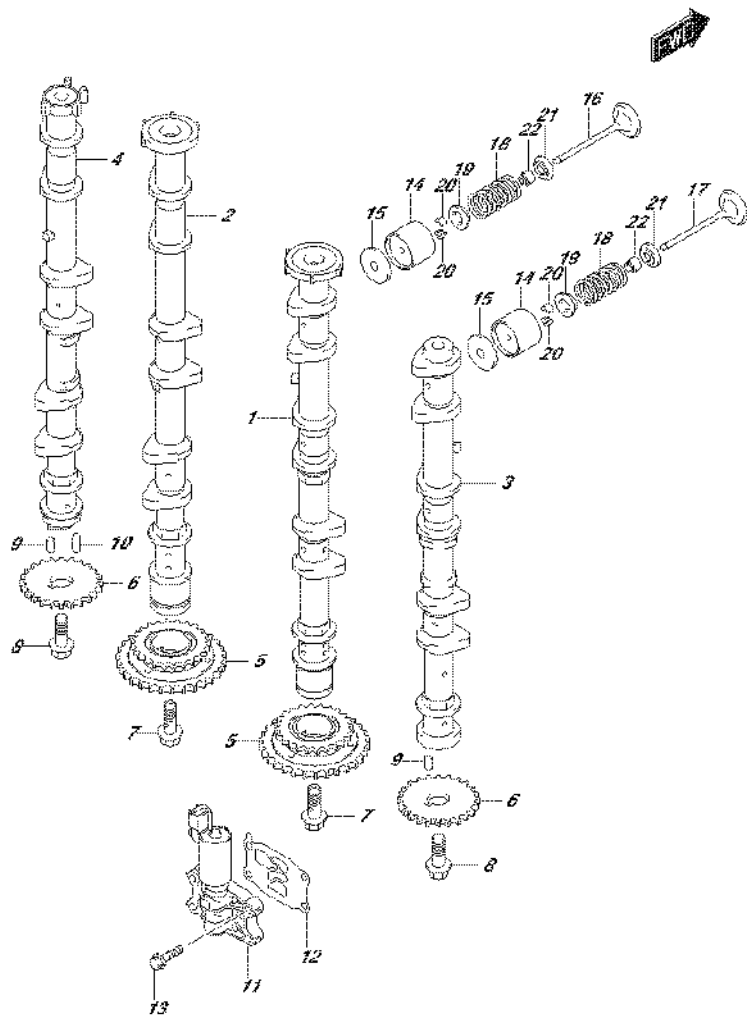


FIG.121K (1-E-5) CAMSHAFT (DF250T E40)

REF NO.	PART NO.	DESCRIPTION	Q'TY	REMARKS
1	12701-93J50	CAMSHAFT, INTAKE STBD	1	
2	12705-93J50	CAMSHAFT, INTAKE PORT	1	
3	12721-93J50	CAMSHAFT, EXH STBD	1	
4	12729-93J50	CAMSHAFT, EXH PORT	1	
5	12740-93J00	SPROCKET ASSY, CAM TIMING (NT:22/32)	2	
6	12748-93J00	SPROCKET, CAMSHAFT (NT:22)	2	
7	12753-93J00	BOLT, INTAKE CAMSHAFT	2	
8	12749-93J00	BOLT, CAMSHAFT EXHAUST	2	
9	09202-05032	PIN (5X12)	3	
10	09261-05006	PIN (5X18)	1	
11	16550-93J00	VALVE, OIL CONTROL	2	
12	16555-93J00	GASKET, VALVE	2	
13	01550-06257	BOLT	8	
14	12891-93J00	TAPPET	24	
15-1	12892-93J00-218	SHIM, TAPPET (T:2.175)	AR	
15-2	12892-93J00-220	SHIM, TAPPET (T:2.200)	AR	
15-3	12892-93J00-223	SHIM, TAPPET (T:2.225)	AR	
15-4	12892-93J00-225	SHIM, TAPPET (T:2.250)	AR	
15-5	12892-93J00-228	SHIM, TAPPET (T:2.275)	AR	
15-6	12892-93J00-230	SHIM, TAPPET (T:2.300)	AR	
15-7	12892-93J00-233	SHIM, TAPPET (T:2.325)	AR	
15-8	12892-93J00-235	SHIM, TAPPET (T:2.350)	AR	
15-9	12892-93J00-238	SHIM, TAPPET (T:2.375)	AR	
15-10	12892-93J00-240	SHIM, TAPPET (T:2.400)	AR	
15-11	12892-93J00-243	SHIM, TAPPET (T:2.425)	AR	
15-12	12892-93J00-245	SHIM, TAPPET (T:2.450)	AR	
15-13	12892-93J00-248	SHIM, TAPPET (T:2.475)	AR	
15-14	12892-93J00-250	SHIM, TAPPET (T:2.500)	AR	
15-15	12892-93J00-253	SHIM, TAPPET (T:2.525)	AR	
15-16	12892-93J00-255	SHIM, TAPPET (T:2.550)	AR	
15-17	12892-93J00-258	SHIM, TAPPET (T:2.575)	AR	
15-18	12892-93J00-260	SHIM, TAPPET (T:2.600)	AR	
15-19	12892-93J00-263	SHIM, TAPPET (T:2.625)	AR	

FIG.121K

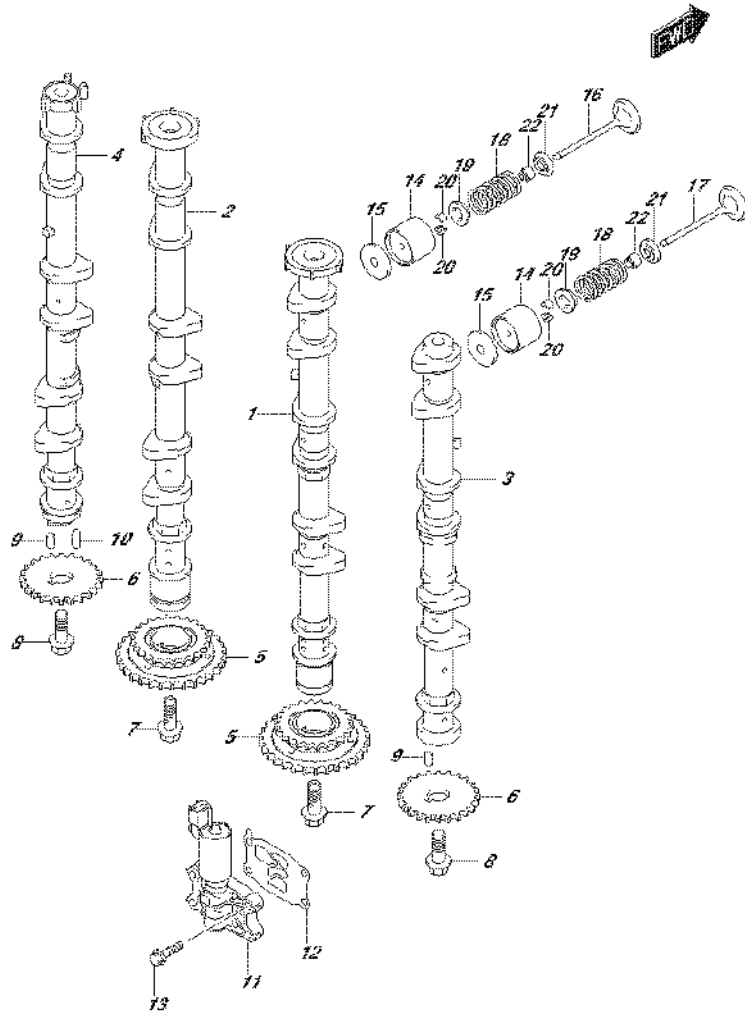


FIG.121K (1-E-6) CAMSHAFT (DF250T E40)

REF NO.	PART NO.	DESCRIPTION	Q'TY	REMARKS
15-20	12892-93J00-265	SHIM, TAPPET (T:2.650)	AR	
15-21	12892-93J00-268	SHIM, TAPPET (T:2.675)	AR	
15-22	12892-93J00-270	SHIM, TAPPET (T:2.700)	AR	
15-23	12892-93J00-273	SHIM, TAPPET (T:2.725)	AR	
15-24	12892-93J00-275	SHIM, TAPPET (T:2.750)	AR	
15-25	12892-93J00-278	SHIM, TAPPET (T:2.775)	AR	
15-26	12892-93J00-280	SHIM, TAPPET (T:2.800)	AR	
15-27	12892-93J00-283	SHIM, TAPPET (T:2.825)	AR	
15-28	12892-93J00-285	SHIM, TAPPET (T:2.850)	AR	
15-29	12892-93J00-288	SHIM, TAPPET (T:2.875)	AR	
15-30	12892-93J00-290	SHIM, TAPPET (T:2.900)	AR	
15-31	12892-93J00-293	SHIM, TAPPET (T:2.925)	AR	
15-32	12892-93J00-295	SHIM, TAPPET (T:2.950)	AR	
15-33	12892-93J00-298	SHIM, TAPPET (T:2.975)	AR	
15-34	12892-93J00-300	SHIM, TAPPET (T:3.000)	AR	
16	12911-93J00	VALVE, INTAKE	12	
17	12915-93J50	VALVE, EXHAUST	12	
18	12921-93J10	SPRING, VALVE	24	
19	12931-78G00	RETAINER, VALVE SPRING	24	
20	12932-24400	COTTER, VALVE	48	
21	12933-69G10	SEAT, VALVE SPRING	24	
22	09289-05012	OIL SEAL (5.5X11.5X9.3)	24	

FIG.121L

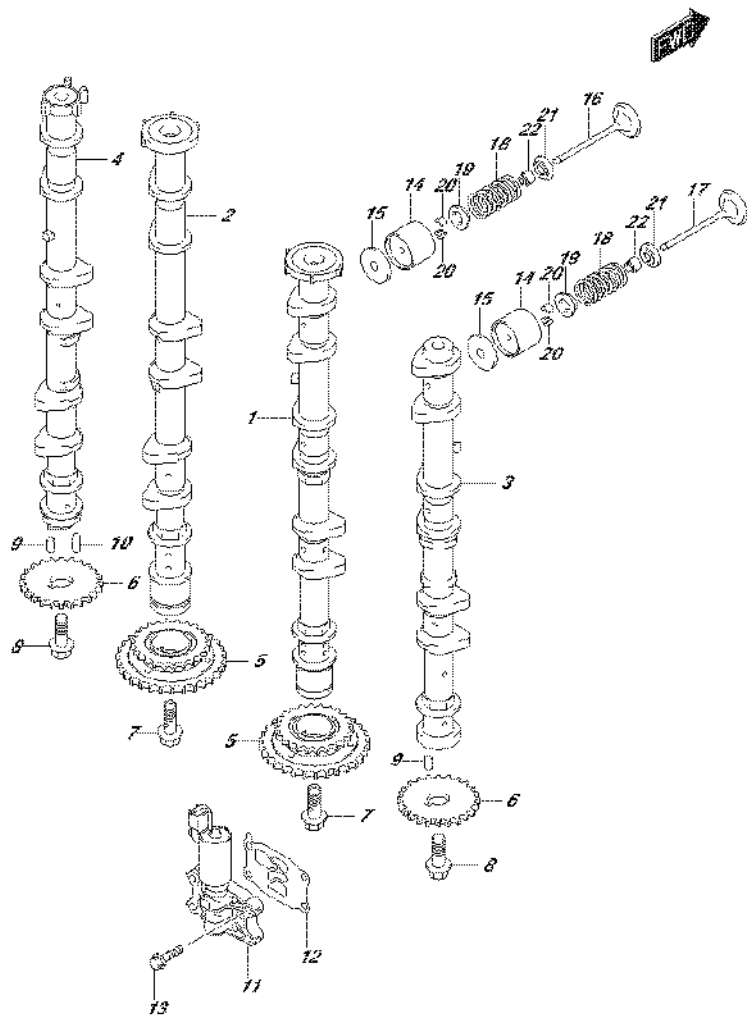


FIG.121L (1-E-7) CAMSHAFT (DF250Z E01)

REF NO.	PART NO.	DESCRIPTION	Q'TY	REMARKS
1	12701-93J50	CAMSHAFT, INTAKE STBD	1	
2	12705-93J50	CAMSHAFT, INTAKE PORT	1	
3	12721-93J50	CAMSHAFT, EXH STBD	1	
4	12729-93J50	CAMSHAFT, EXH PORT	1	
5	12740-93J00	SPROCKET ASSY, CAM TIMING (NT:22/32)	2	
6	12748-93J00	SPROCKET, CAMSHAFT (NT:22)	2	
7	12753-93J00	BOLT, INTAKE CAMSHAFT	2	
8	12749-93J00	BOLT, CAMSHAFT EXHAUST	2	
9	09202-05032	PIN (5X12)	3	
10	09261-05006	PIN (5X18)	1	
11	16550-93J00	VALVE, OIL CONTROL	2	
12	16555-93J00	GASKET, VALVE	2	
13	01550-06257	BOLT	8	
14	12891-93J00	TAPPET	24	
15-1	12892-93J00-218	SHIM, TAPPET (T:2.175)	AR	
15-2	12892-93J00-220	SHIM, TAPPET (T:2.200)	AR	
15-3	12892-93J00-223	SHIM, TAPPET (T:2.225)	AR	
15-4	12892-93J00-225	SHIM, TAPPET (T:2.250)	AR	
15-5	12892-93J00-228	SHIM, TAPPET (T:2.275)	AR	
15-6	12892-93J00-230	SHIM, TAPPET (T:2.300)	AR	
15-7	12892-93J00-233	SHIM, TAPPET (T:2.325)	AR	
15-8	12892-93J00-235	SHIM, TAPPET (T:2.350)	AR	
15-9	12892-93J00-238	SHIM, TAPPET (T:2.375)	AR	
15-10	12892-93J00-240	SHIM, TAPPET (T:2.400)	AR	
15-11	12892-93J00-243	SHIM, TAPPET (T:2.425)	AR	
15-12	12892-93J00-245	SHIM, TAPPET (T:2.450)	AR	
15-13	12892-93J00-248	SHIM, TAPPET (T:2.475)	AR	
15-14	12892-93J00-250	SHIM, TAPPET (T:2.500)	AR	
15-15	12892-93J00-253	SHIM, TAPPET (T:2.525)	AR	
15-16	12892-93J00-255	SHIM, TAPPET (T:2.550)	AR	
15-17	12892-93J00-258	SHIM, TAPPET (T:2.575)	AR	
15-18	12892-93J00-260	SHIM, TAPPET (T:2.600)	AR	
15-19	12892-93J00-263	SHIM, TAPPET (T:2.625)	AR	

FIG.121L

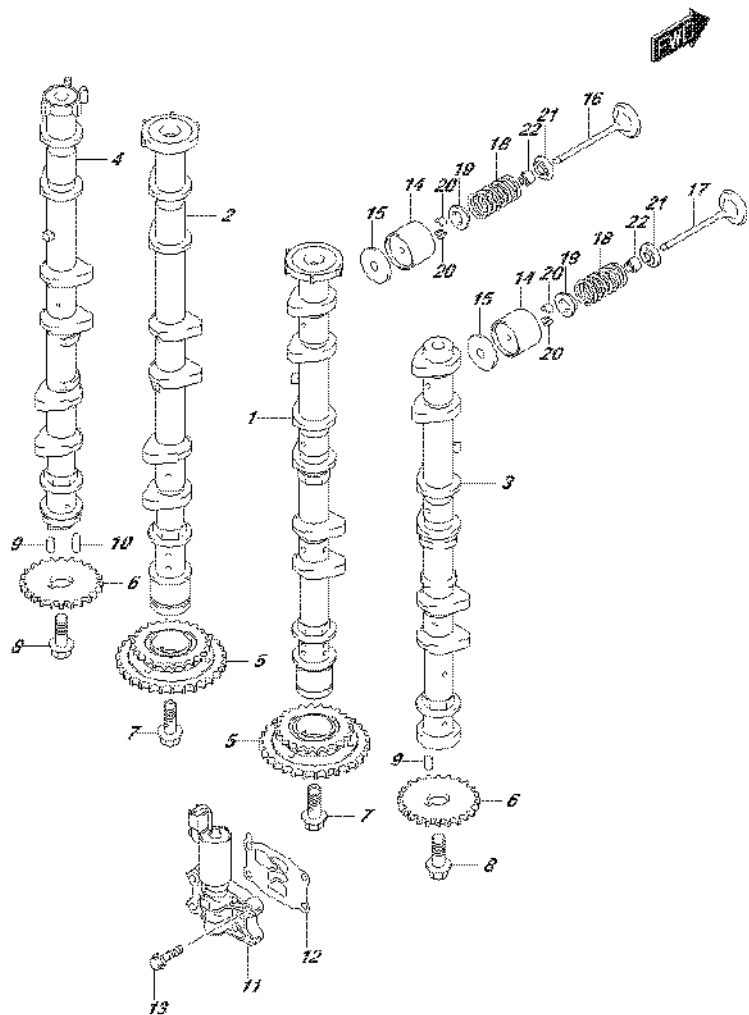


FIG.121L (1-E-8) CAMSHAFT (DF250Z E01)

REF NO.	PART NO.	DESCRIPTION	Q'TY	REMARKS
15-20	12892-93J00-265	SHIM, TAPPET (T:2.650)	AR	
15-21	12892-93J00-268	SHIM, TAPPET (T:2.675)	AR	
15-22	12892-93J00-270	SHIM, TAPPET (T:2.700)	AR	
15-23	12892-93J00-273	SHIM, TAPPET (T:2.725)	AR	
15-24	12892-93J00-275	SHIM, TAPPET (T:2.750)	AR	
15-25	12892-93J00-278	SHIM, TAPPET (T:2.775)	AR	
15-26	12892-93J00-280	SHIM, TAPPET (T:2.800)	AR	
15-27	12892-93J00-283	SHIM, TAPPET (T:2.825)	AR	
15-28	12892-93J00-285	SHIM, TAPPET (T:2.850)	AR	
15-29	12892-93J00-288	SHIM, TAPPET (T:2.875)	AR	
15-30	12892-93J00-290	SHIM, TAPPET (T:2.900)	AR	
15-31	12892-93J00-293	SHIM, TAPPET (T:2.925)	AR	
15-32	12892-93J00-295	SHIM, TAPPET (T:2.950)	AR	
15-33	12892-93J00-298	SHIM, TAPPET (T:2.975)	AR	
15-34	12892-93J00-300	SHIM, TAPPET (T:3.000)	AR	
16	12911-93J00	VALVE, INTAKE	12	
17	12915-93J50	VALVE, EXHAUST	12	
18	12921-93J10	SPRING, VALVE	24	
19	12931-78G00	RETAINER, VALVE SPRING	24	
20	12932-24400	COTTER, VALVE	48	
21	12933-69G10	SEAT, VALVE SPRING	24	
22	09289-05012	OIL SEAL (5.5X11.5X9.3)	24	

FIG.121M

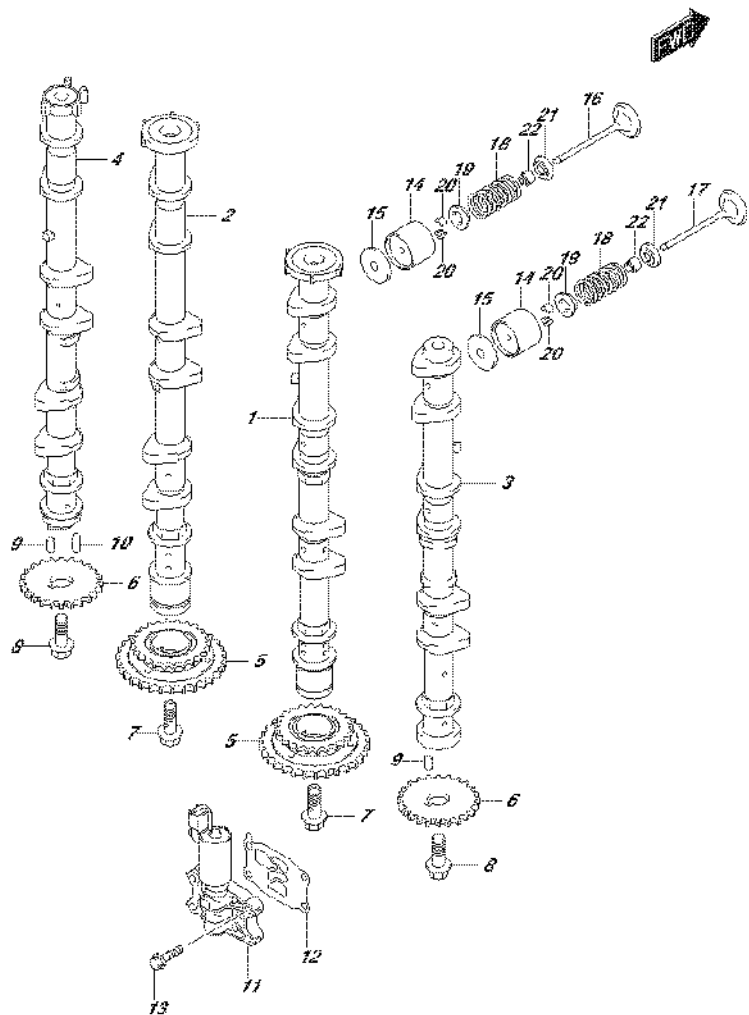


FIG.121M (1-E-9) CAMSHAFT (DF250Z E40)

REF NO.	PART NO.	DESCRIPTION	Q'TY	REMARKS
1	12701-93J50	CAMSHAFT, INTAKE STBD	1	
2	12705-93J50	CAMSHAFT, INTAKE PORT	1	
3	12721-93J50	CAMSHAFT, EXH STBD	1	
4	12729-93J50	CAMSHAFT, EXH PORT	1	
5	12740-93J00	SPROCKET ASSY, CAM TIMING (NT:22/32)	2	
6	12748-93J00	SPROCKET, CAMSHAFT (NT:22)	2	
7	12753-93J00	BOLT, INTAKE CAMSHAFT	2	
8	12749-93J00	BOLT, CAMSHAFT EXHAUST	2	
9	09202-05032	PIN (5X12)	3	
10	09261-05006	PIN (5X18)	1	
11	16550-93J00	VALVE, OIL CONTROL	2	
12	16555-93J00	GASKET, VALVE	2	
13	01550-06257	BOLT	8	
14	12891-93J00	TAPPET	24	
15-1	12892-93J00-218	SHIM, TAPPET (T:2.175)	AR	
15-2	12892-93J00-220	SHIM, TAPPET (T:2.200)	AR	
15-3	12892-93J00-223	SHIM, TAPPET (T:2.225)	AR	
15-4	12892-93J00-225	SHIM, TAPPET (T:2.250)	AR	
15-5	12892-93J00-228	SHIM, TAPPET (T:2.275)	AR	
15-6	12892-93J00-230	SHIM, TAPPET (T:2.300)	AR	
15-7	12892-93J00-233	SHIM, TAPPET (T:2.325)	AR	
15-8	12892-93J00-235	SHIM, TAPPET (T:2.350)	AR	
15-9	12892-93J00-238	SHIM, TAPPET (T:2.375)	AR	
15-10	12892-93J00-240	SHIM, TAPPET (T:2.400)	AR	
15-11	12892-93J00-243	SHIM, TAPPET (T:2.425)	AR	
15-12	12892-93J00-245	SHIM, TAPPET (T:2.450)	AR	
15-13	12892-93J00-248	SHIM, TAPPET (T:2.475)	AR	
15-14	12892-93J00-250	SHIM, TAPPET (T:2.500)	AR	
15-15	12892-93J00-253	SHIM, TAPPET (T:2.525)	AR	
15-16	12892-93J00-255	SHIM, TAPPET (T:2.550)	AR	
15-17	12892-93J00-258	SHIM, TAPPET (T:2.575)	AR	
15-18	12892-93J00-260	SHIM, TAPPET (T:2.600)	AR	
15-19	12892-93J00-263	SHIM, TAPPET (T:2.625)	AR	

FIG.121M

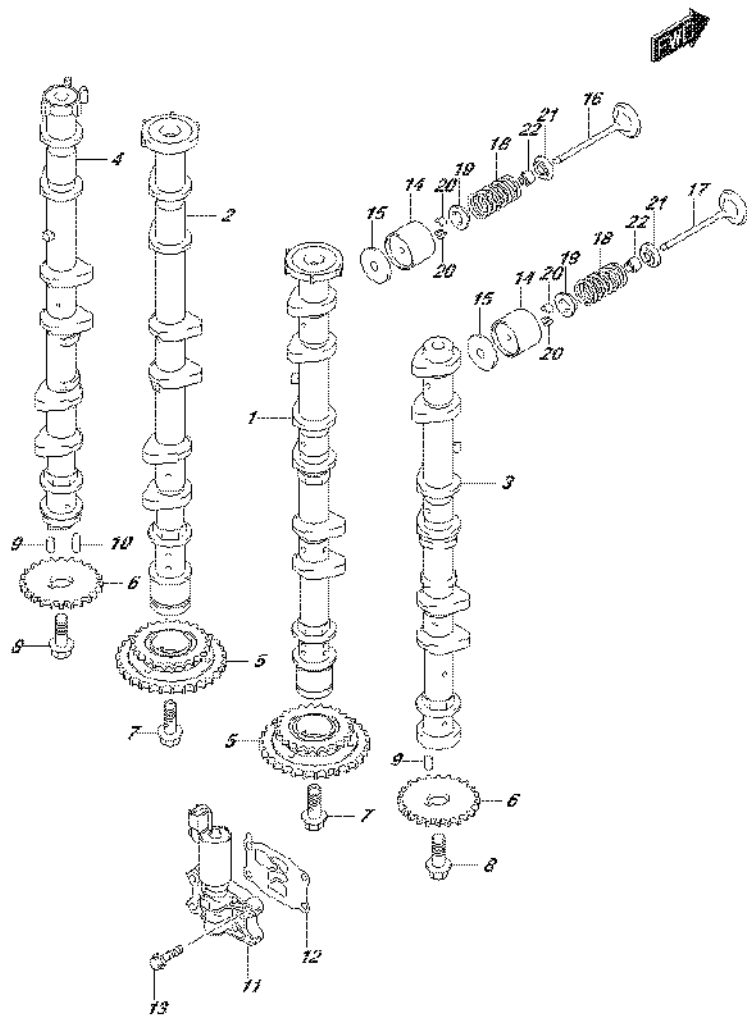


FIG.121M (1-E-10) CAMSHAFT (DF250Z E40)

REF NO.	PART NO.	DESCRIPTION	Q'TY	REMARKS
15-20	12892-93J00-265	SHIM, TAPPET (T:2.650)	AR	
15-21	12892-93J00-268	SHIM, TAPPET (T:2.675)	AR	
15-22	12892-93J00-270	SHIM, TAPPET (T:2.700)	AR	
15-23	12892-93J00-273	SHIM, TAPPET (T:2.725)	AR	
15-24	12892-93J00-275	SHIM, TAPPET (T:2.750)	AR	
15-25	12892-93J00-278	SHIM, TAPPET (T:2.775)	AR	
15-26	12892-93J00-280	SHIM, TAPPET (T:2.800)	AR	
15-27	12892-93J00-283	SHIM, TAPPET (T:2.825)	AR	
15-28	12892-93J00-285	SHIM, TAPPET (T:2.850)	AR	
15-29	12892-93J00-288	SHIM, TAPPET (T:2.875)	AR	
15-30	12892-93J00-290	SHIM, TAPPET (T:2.900)	AR	
15-31	12892-93J00-293	SHIM, TAPPET (T:2.925)	AR	
15-32	12892-93J00-295	SHIM, TAPPET (T:2.950)	AR	
15-33	12892-93J00-298	SHIM, TAPPET (T:2.975)	AR	
15-34	12892-93J00-300	SHIM, TAPPET (T:3.000)	AR	
16	12911-93J00	VALVE, INTAKE	12	
17	12915-93J50	VALVE, EXHAUST	12	
18	12921-93J10	SPRING, VALVE	24	
19	12931-78G00	RETAINER, VALVE SPRING	24	
20	12932-24400	COTTER, VALVE	48	
21	12933-69G10	SEAT, VALVE SPRING	24	
22	09289-05012	OIL SEAL (5.5X11.5X9.3)	24	

FIG. 122A

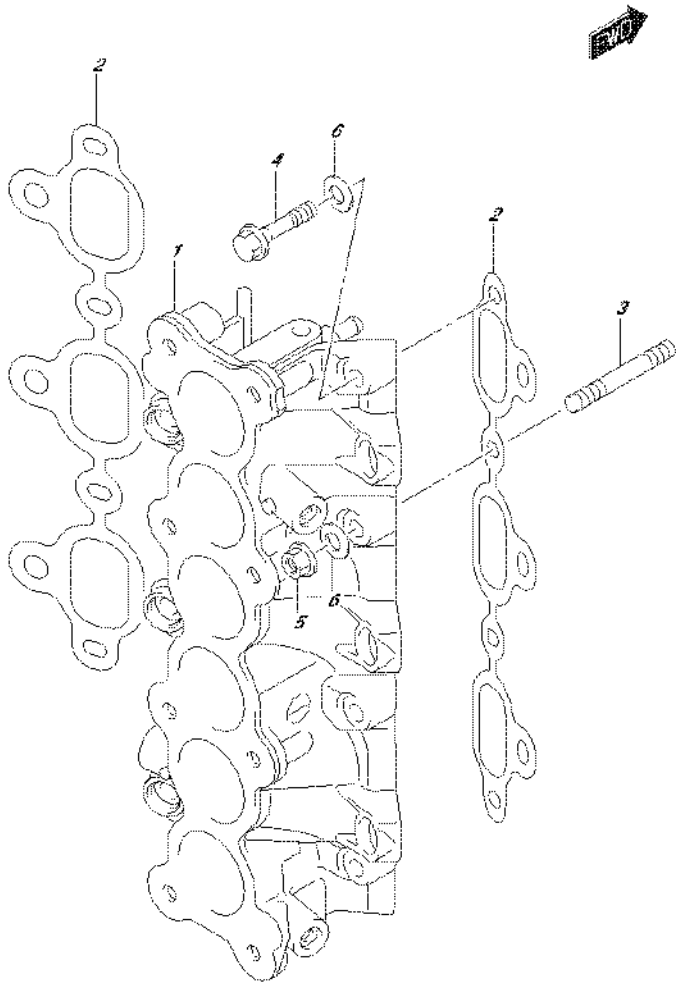


FIG.122A (1-E-11) INTAKE MANIFOLD

REF NO.	PART NO.	DESCRIPTION	Q'TY	REMARKS
1	13110-93J00	MANIFOLD, INTAKE	1	
2	13119-93J00	GASKET, INTAKE MANIFOLD	2	
3	09108-08282	STUD BOLT	4	
4	09103-08437	BOLT (8X65)	4	
5	09159-08136	NUT	4	
6	09160-08016	WASHER (8.5X20X2)	8	

FIG. 134A

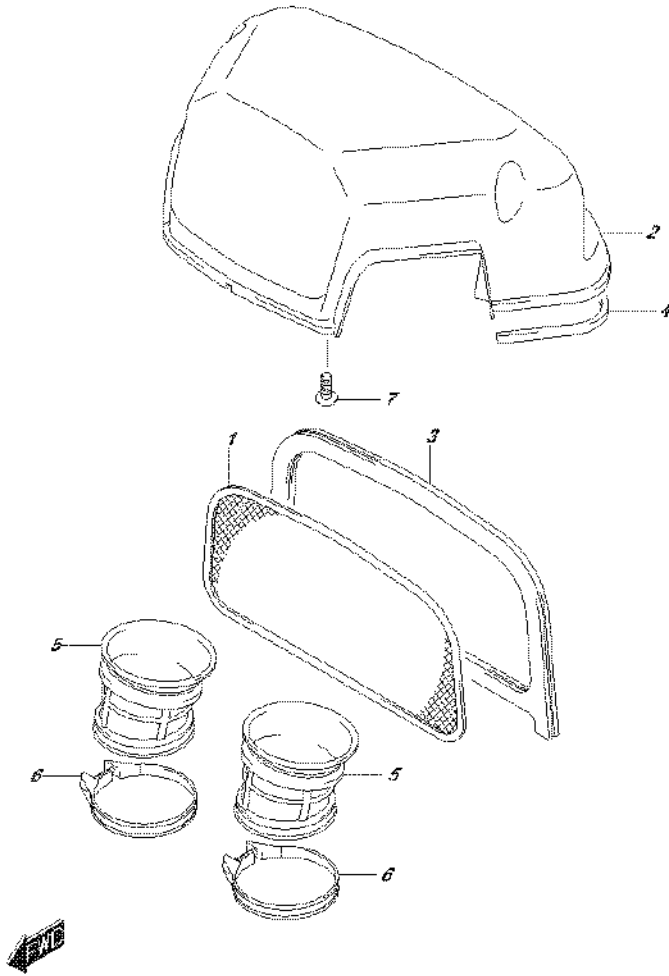


FIG.134A (1-E-12) SILENCER

REF NO.	PART NO.	DESCRIPTION	Q'TY	REMARKS
1	13710-93J00	ARRESTER, FLAME	1	
2	13811-93J01	SILENCER, UPPER COVER	1	
3	13813-93J00	HOLDER, FLAME ARRESTER	1	
4	13851-93J01	SEAL, SILENCER	1	
5	13881-93J00	TUBE, OUTLET	2	
6	17895-93J00	CLAMP	2	
7	02142-06207	SCREW	6	

FIG. 136A

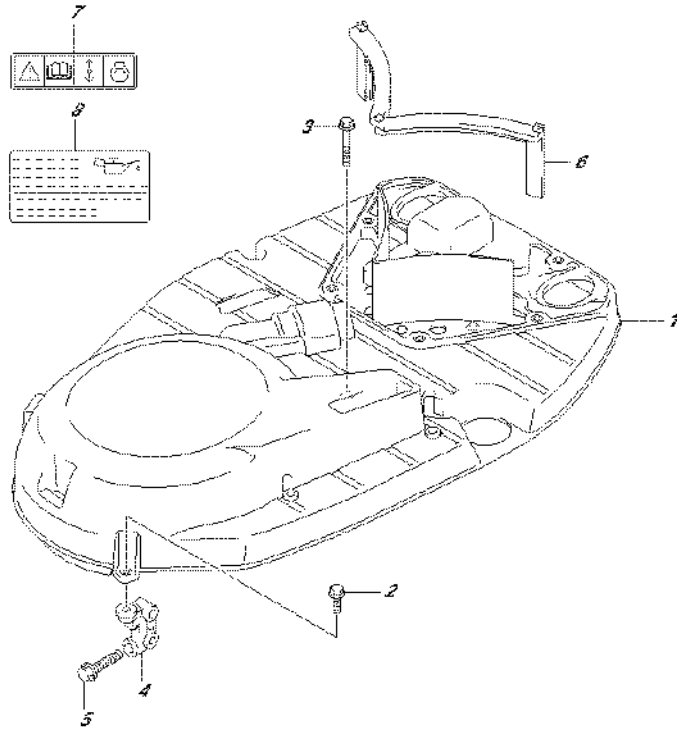


FIG.136A (1-E-13) RING GEAR COVER

REF NO.	PART NO.	DESCRIPTION	Q'TY	REMARKS
1	11510-93J03	COVER, RING GEAR	1	
2	01550-06207	BOLT	2	
3	01550-06407	BOLT	1	
4	11515-93J00	BRACE, RING GEAR COVER	1	
5	01550-08357	BOLT	2	
6	11516-93J00	FLAP, RING GEAR COVER	1	
7	69711-93E10	LABEL, CAUTION (S.I.G.P.)	1	
8	61494-93J00	LABEL, OIL & CLEARANCE	1	



FIG. 140A

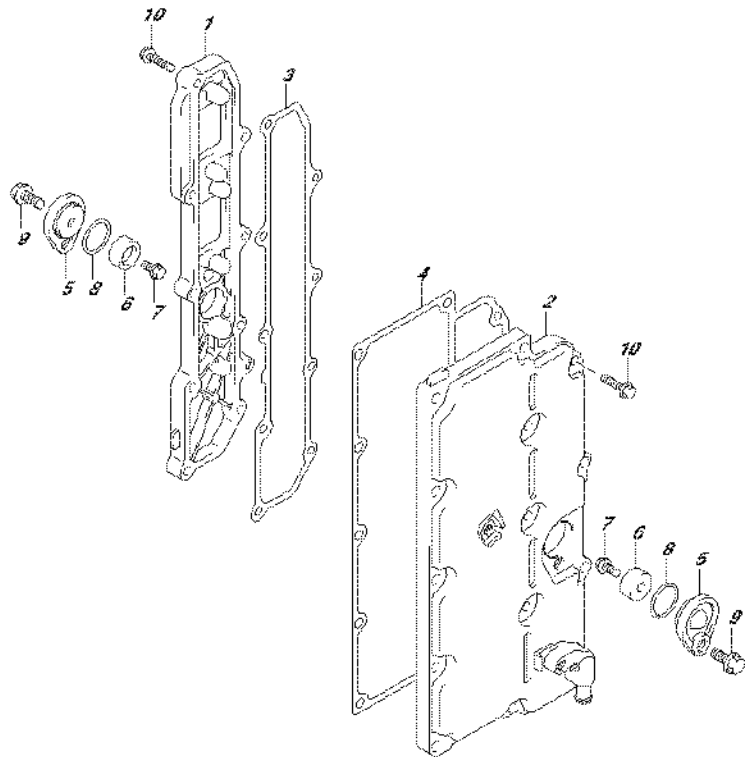


FIG.140A (1-E-14) EXHAUST COVER

REF NO.	PART NO.	DESCRIPTION	Q'TY	REMARKS
1	14141-93J01	COVER, EXHAUST STBD	1	
2	14140-98J01	COVER, EXHAUST PORT	1	
3	14151-93J00	GASKET, EXHAUST COVER STBD	1	
4	14152-93J00	GASKET, EXHAUST COVER PORT	1	
5	11261-93J00	COVER, PROTECTION ANODE	2	
6	55321-87J01	ANODE, PROTECTION	2	
7	09103-06281	BOLT (6X14)	2	
8	09280-22019	O RING (D:1.9,ID:21.8)	2	
9	01550-08207	BOLT	2	
10	01550-06257	BOLT	23	



FIG.144A

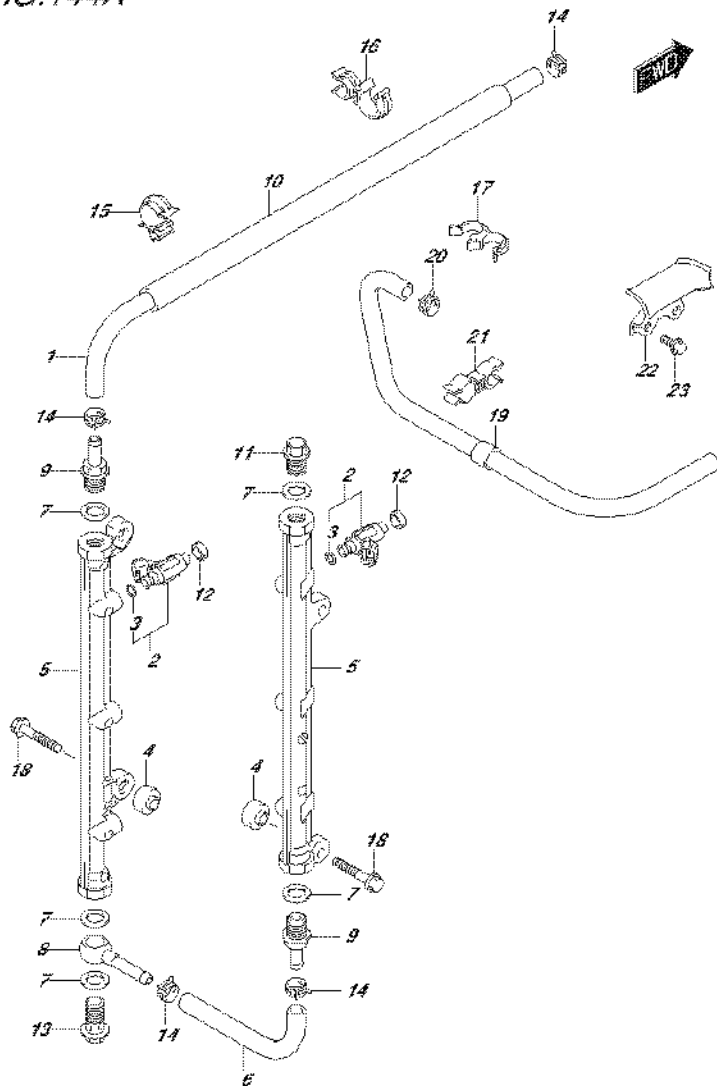


FIG.144A (1-E-15) FUEL INJECTOR (DF200T E01)

REF NO.	PART NO.	DESCRIPTION	Q'TY	REMARKS
1	15681-93J01	HOSE, FUEL (3WAY TO DLVY PIPE)	1	
2	15710-93J00	INJECTOR ASSY, FUEL	6	
3	15717-16G00	.O RING	6	
4	15735-58B00	INSULATOR, DELIVERY PIPE	4	
5	15751-93J00	PIPE, DELIVERY	2	
6	15756-93J01	HOSE, FUEL (DLVY TO DLVY)	1	
7	15762-93J00	GASKET, DELIVERY PIPE	5	
8	15830-77EA0	UNION, DELIVERY PIPE	1	
9	15831-93J00	UNION, DELIVERY PIPE	2	
10	18498-93J00	PROTECTOR, FUEL HOSE (L:340)	1	
11	09247-14041	PLUG (14X14)	1	
12	09320-08062	CUSHION	6	
13	09360-14009	UNION	1	
14	09401-11425	CLIP	4	
15	09403-16307	CLAMP	1	
16	09408-00105	CLAMP	1	
17	09408-00155	CLAMP	1	
18	01550-08407	BOLT	4	
19	15680-93J21	HOSE, FUEL (PUMP TO FILTER)	1	
20	09401-13423	CLIP	1	
21	09408-00135	CLIP	2	
22	15684-98J00	GUIDE, FUEL HOSE	1	
23	01550-06127	BOLT	2	

FIG.144B

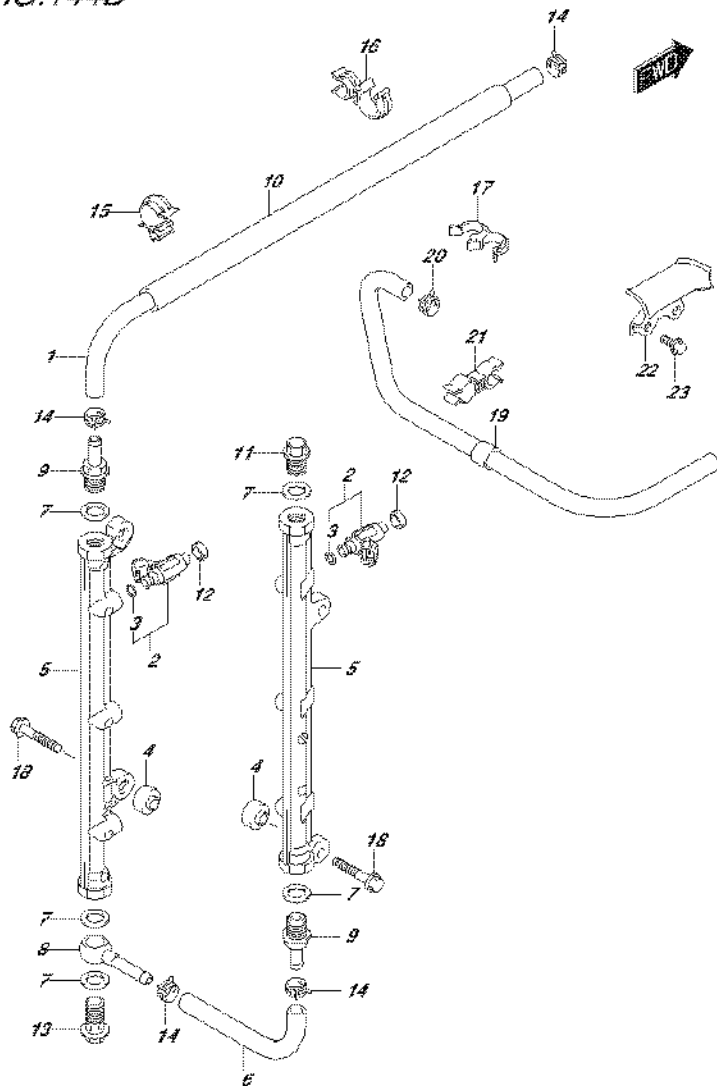


FIG.144B (1-F-2) FUEL INJECTOR (DF200T E40)

REF NO.	PART NO.	DESCRIPTION	Q'TY	REMARKS
1	15681-93J01	HOSE, FUEL (3WAY TO DLVY PIPE)	1	
2	15710-93J00	INJECTOR ASSY, FUEL	6	
3	15717-16G00	.O RING	6	
4	15735-58B00	INSULATOR, DELIVERY PIPE	4	
5	15751-93J00	PIPE, DELIVERY	2	
6	15756-93J01	HOSE, FUEL (DLVY TO DLVY)	1	
7	15762-93J10	GASKET, DELIVERY PIPE	5	
8	15832-93J00	UNION, DELIVERY PIPE	1	
9	15831-93J00	UNION, DELIVERY PIPE	2	
10	18498-93J00	PROTECTOR, FUEL HOSE (L:340)	1	
11	09247-14042	PLUG (14X14)	1	
12	09320-08062	CUSHION	6	
13	09360-14014	UNION	1	
14	09401-11425	CLIP	4	
15	09403-16307	CLAMP	1	
16	09408-00105	CLAMP	1	
17	09408-00155	CLAMP	1	
18	01550-08407	BOLT	4	
19	15680-93J21	HOSE, FUEL (PUMP TO FILTER)	1	
20	09401-13423	CLIP	1	
21	09408-00135	CLIP	2	
22	15684-98J00	GUIDE, FUEL HOSE	1	
23	01550-06127	BOLT	2	

FIG.144C

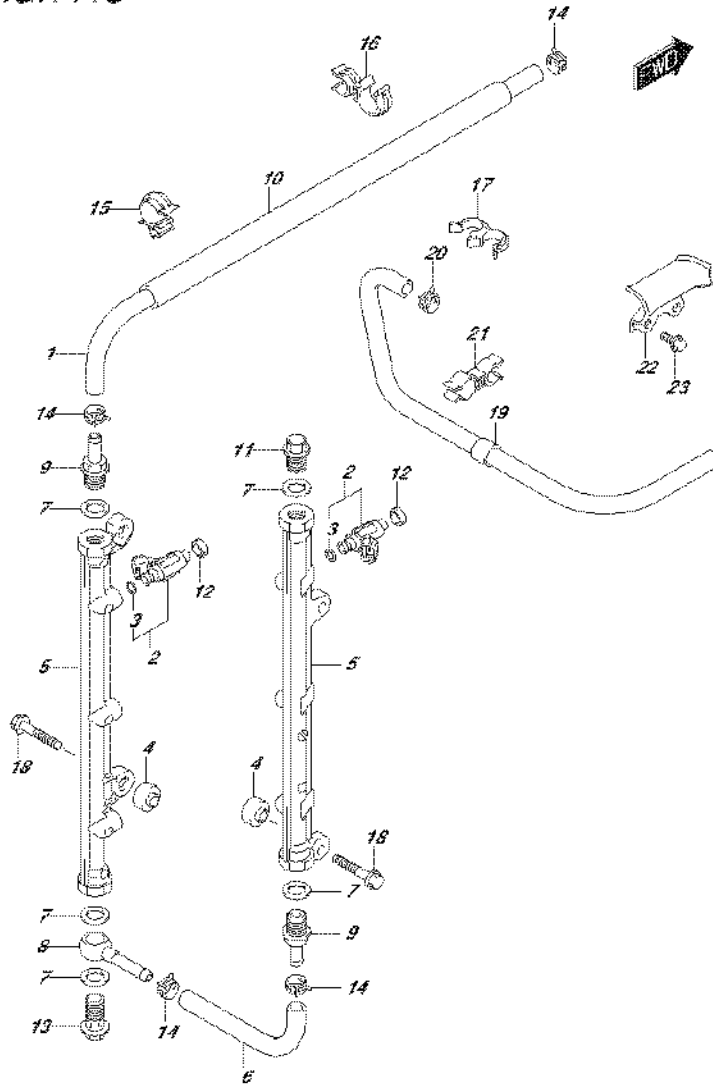
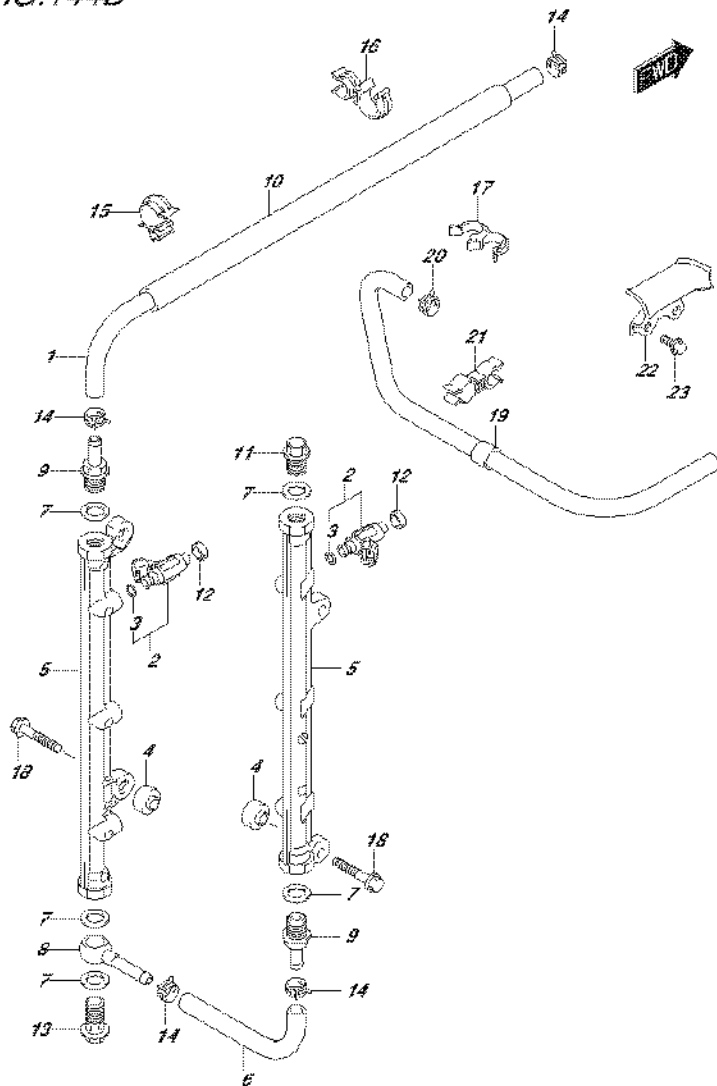


FIG.144C (1-F-3) FUEL INJECTOR (DF200Z E01)

REF NO.	PART NO.	DESCRIPTION	Q'TY	REMARKS
1	15681-93J01	HOSE, FUEL (3WAY TO DLVY PIPE)	1	
2	15710-93J00	INJECTOR ASSY, FUEL	6	
3	15717-16G00	.O RING	6	
4	15735-58B00	INSULATOR, DELIVERY PIPE	4	
5	15751-93J00	PIPE, DELIVERY	2	
6	15756-93J01	HOSE, FUEL (DLVY TO DLVY)	1	
7	15762-93J00	GASKET, DELIVERY PIPE	5	
8	15830-77EA0	UNION, DELIVERY PIPE	1	
9	15831-93J00	UNION, DELIVERY PIPE	2	
10	18498-93J00	PROTECTOR, FUEL HOSE (L:340)	1	
11	09247-14041	PLUG (14X14)	1	
12	09320-08062	CUSHION	6	
13	09360-14009	UNION	1	
14	09401-11425	CLIP	4	
15	09403-16307	CLAMP	1	
16	09408-00105	CLAMP	1	
17	09408-00155	CLAMP	1	
18	01550-08407	BOLT	4	
19	15680-93J21	HOSE, FUEL (PUMP TO FILTER)	1	
20	09401-13423	CLIP	1	
21	09408-00135	CLIP	2	
22	15684-98J00	GUIDE, FUEL HOSE	1	
23	01550-06127	BOLT	2	

FIG.144D



DF200Z_E01_016_144D
FUEL INJECTOR

FIG.144D (1-F-4) FUEL INJECTOR (DF200Z E40)

REF NO.	PART NO.	DESCRIPTION	Q'TY	REMARKS
1	15681-93J01	HOSE, FUEL (3WAY TO DLVY PIPE)	1	
2	15710-93J00	INJECTOR ASSY, FUEL	6	
3	15717-16G00	.O RING	6	
4	15735-58B00	INSULATOR, DELIVERY PIPE	4	
5	15751-93J00	PIPE, DELIVERY	2	
6	15756-93J01	HOSE, FUEL (DLVY TO DLVY)	1	
7	15762-93J10	GASKET, DELIVERY PIPE	5	
8	15832-93J00	UNION, DELIVERY PIPE	1	
9	15831-93J00	UNION, DELIVERY PIPE	2	
10	18498-93J00	PROTECTOR, FUEL HOSE (L:340)	1	
11	09247-14042	PLUG (14X14)	1	
12	09320-08062	CUSHION	6	
13	09360-14014	UNION	1	
14	09401-11425	CLIP	4	
15	09403-16307	CLAMP	1	
16	09408-00105	CLAMP	1	
17	09408-00155	CLAMP	1	
18	01550-08407	BOLT	4	
19	15680-93J21	HOSE, FUEL (PUMP TO FILTER)	1	
20	09401-13423	CLIP	1	
21	09408-00135	CLIP	2	
22	15684-98J00	GUIDE, FUEL HOSE	1	
23	01550-06127	BOLT	2	

DF250_E01_016

FIG.144E

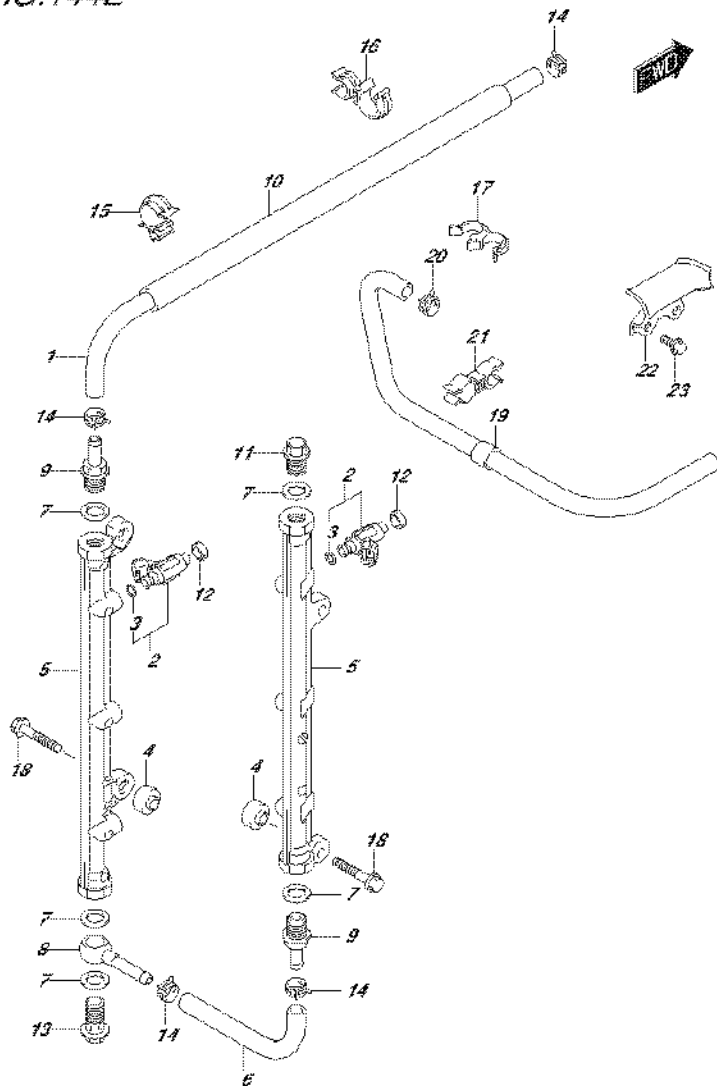


FIG.144E (1-F-5) FUEL INJECTOR (DF225T E01)

REF NO.	PART NO.	DESCRIPTION	Q'TY	REMARKS
1	15681-93J01	HOSE, FUEL (3WAY TO DLVY PIPE)	1	
2	15710-93J00	INJECTOR ASSY, FUEL	6	
3	15717-16G00	.O RING	6	
4	15735-58B00	INSULATOR, DELIVERY PIPE	4	
5	15751-93J00	PIPE, DELIVERY	2	
6	15756-93J01	HOSE, FUEL (DLVY TO DLVY)	1	
7	15762-93J00	GASKET, DELIVERY PIPE	5	
8	15830-77EA0	UNION, DELIVERY PIPE	1	
9	15831-93J00	UNION, DELIVERY PIPE	2	
10	18498-93J00	PROTECTOR, FUEL HOSE (L:340)	1	
11	09247-14041	PLUG (14X14)	1	
12	09320-08062	CUSHION	6	
13	09360-14009	UNION	1	
14	09401-11425	CLIP	4	
15	09403-16307	CLAMP	1	
16	09408-00105	CLAMP	1	
17	09408-00155	CLAMP	1	
18	01550-08407	BOLT	4	
19	15680-93J21	HOSE, FUEL (PUMP TO FILTER)	1	
20	09401-13423	CLIP	1	
21	09408-00135	CLIP	2	
22	15684-98J00	GUIDE, FUEL HOSE	1	
23	01550-06127	BOLT	2	

FIG.144F

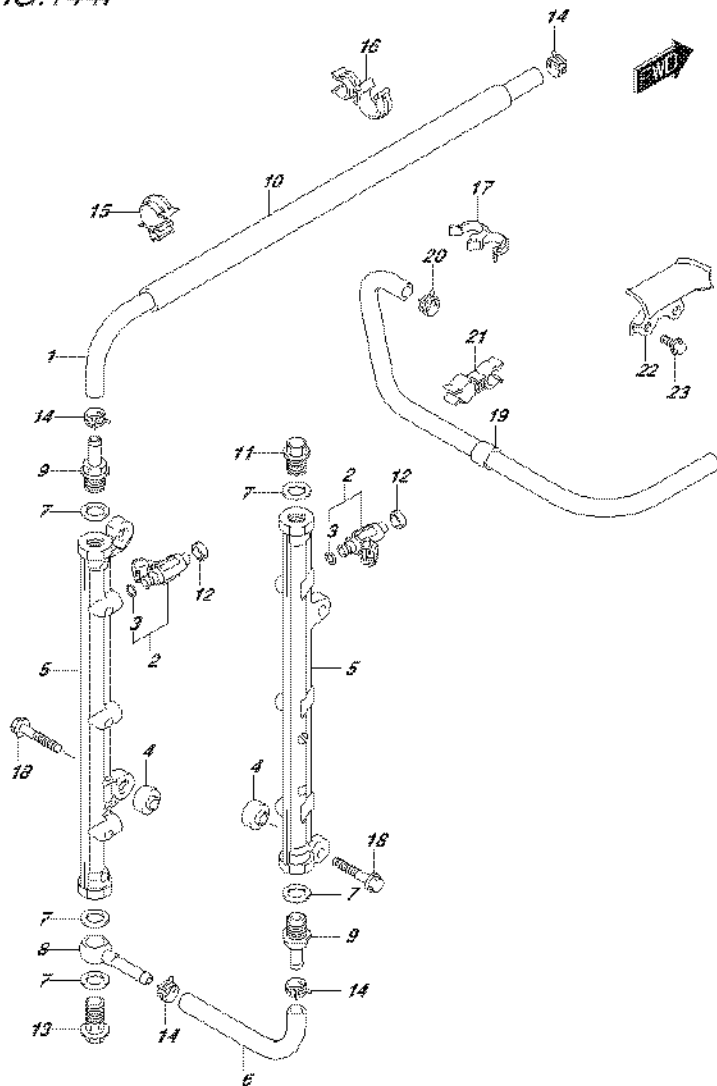


FIG.144F (1-F-6) FUEL INJECTOR (DF225T E40)

REF NO.	PART NO.	DESCRIPTION	Q'TY	REMARKS
1	15681-93J01	HOSE, FUEL (3WAY TO DLVY PIPE)	1	
2	15710-93J00	INJECTOR ASSY, FUEL	6	
3	15717-16G00	.O RING	6	
4	15735-58B00	INSULATOR, DELIVERY PIPE	4	
5	15751-93J00	PIPE, DELIVERY	2	
6	15756-93J01	HOSE, FUEL (DLVY TO DLVY)	1	
7	15762-93J10	GASKET, DELIVERY PIPE	5	
8	15832-93J00	UNION, DELIVERY PIPE	1	
9	15831-93J00	UNION, DELIVERY PIPE	2	
10	18498-93J00	PROTECTOR, FUEL HOSE (L:340)	1	
11	09247-14042	PLUG (14X14)	1	
12	09320-08062	CUSHION	6	
13	09360-14014	UNION	1	
14	09401-11425	CLIP	4	
15	09403-16307	CLAMP	1	
16	09408-00105	CLAMP	1	
17	09408-00155	CLAMP	1	
18	01550-08407	BOLT	4	
19	15680-93J21	HOSE, FUEL (PUMP TO FILTER)	1	
20	09401-13423	CLIP	1	
21	09408-00135	CLIP	2	
22	15684-98J00	GUIDE, FUEL HOSE	1	
23	01550-06127	BOLT	2	

FIG.144G

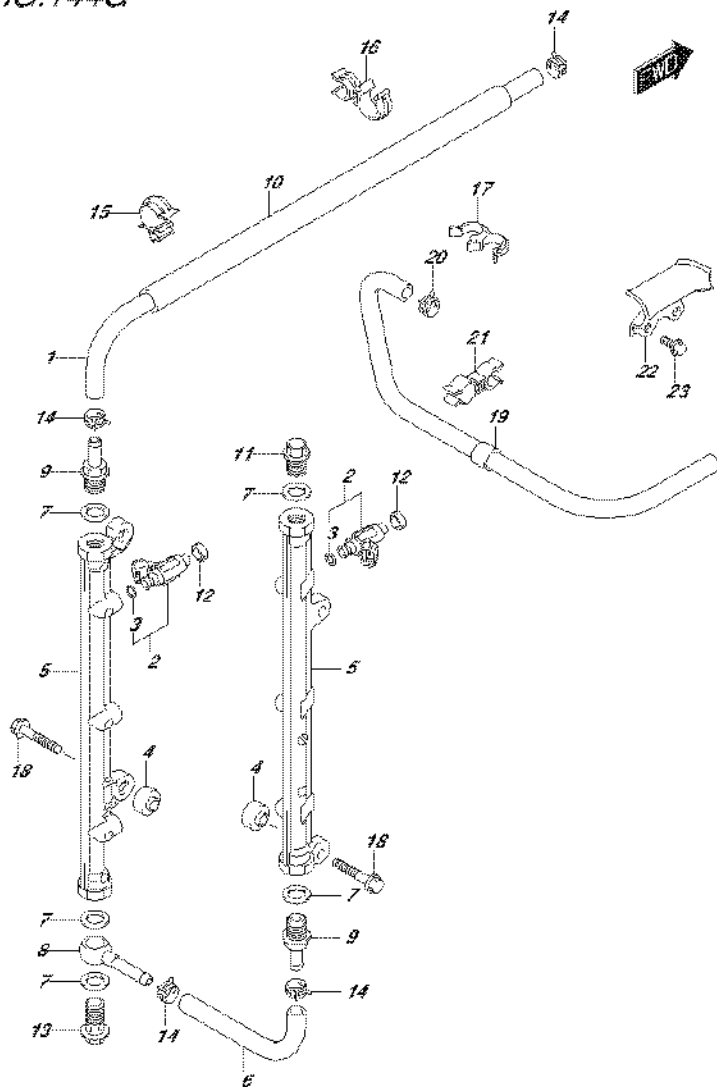


FIG.144G (1-F-7) FUEL INJECTOR (DF25Z E01)

REF NO.	PART NO.	DESCRIPTION	Q'TY	REMARKS
1	15681-93J01	HOSE, FUEL (3WAY TO DLVY PIPE)	1	
2	15710-93J00	INJECTOR ASSY, FUEL	6	
3	15717-16G00	.O RING	6	
4	15735-58B00	INSULATOR, DELIVERY PIPE	4	
5	15751-93J00	PIPE, DELIVERY	2	
6	15756-93J01	HOSE, FUEL (DLVY TO DLVY)	1	
7	15762-93J00	GASKET, DELIVERY PIPE	5	
8	15830-77EA0	UNION, DELIVERY PIPE	1	
9	15831-93J00	UNION, DELIVERY PIPE	2	
10	18498-93J00	PROTECTOR, FUEL HOSE (L:340)	1	
11	09247-14041	PLUG (14X14)	1	
12	09320-08062	CUSHION	6	
13	09360-14009	UNION	1	
14	09401-11425	CLIP	4	
15	09403-16307	CLAMP	1	
16	09408-00105	CLAMP	1	
17	09408-00155	CLAMP	1	
18	01550-08407	BOLT	4	
19	15680-93J21	HOSE, FUEL (PUMP TO FILTER)	1	
20	09401-13423	CLIP	1	
21	09408-00135	CLIP	2	
22	15684-98J00	GUIDE, FUEL HOSE	1	
23	01550-06127	BOLT	2	

FIG.144J

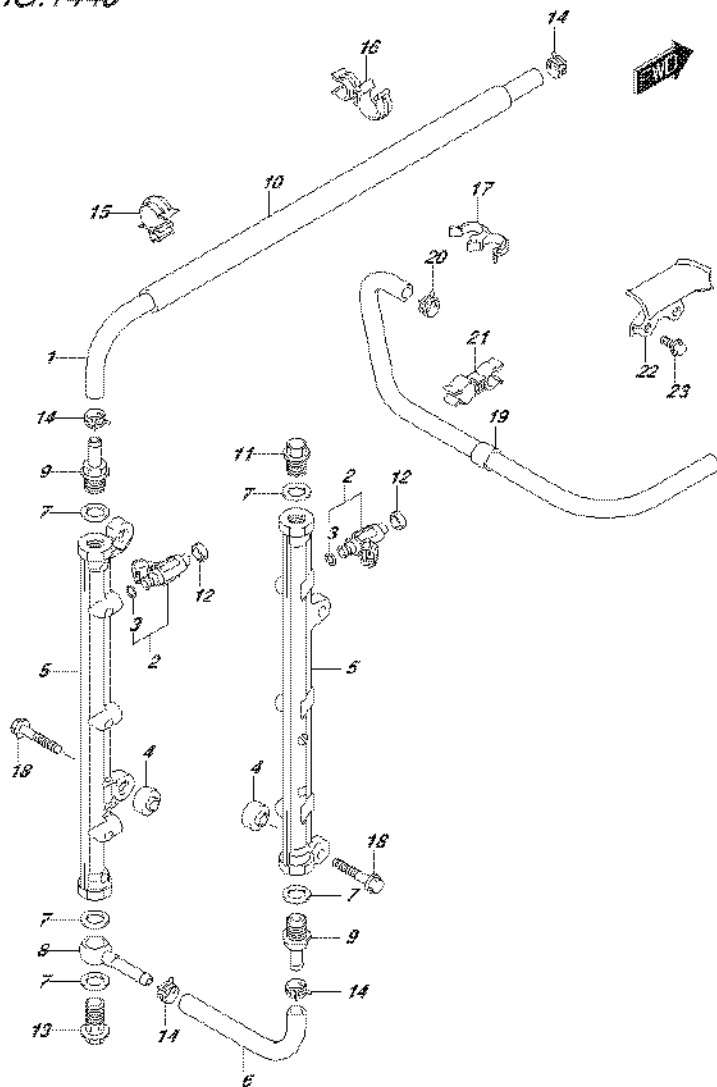


FIG.144J (1-F-9) FUEL INJECTOR (DF250T E01)

REF NO.	PART NO.	DESCRIPTION	Q'TY	REMARKS
1	15681-93J01	HOSE, FUEL (3WAY TO DLVY PIPE)	1	
2	15710-93J00	INJECTOR ASSY, FUEL	6	
3	15717-16G00	.O RING	6	
4	15735-58B00	INSULATOR, DELIVERY PIPE	4	
5	15751-93J00	PIPE, DELIVERY	2	
6	15756-93J01	HOSE, FUEL (DLVY TO DLVY)	1	
7	15762-93J00	GASKET, DELIVERY PIPE	5	
8	15830-77EA0	UNION, DELIVERY PIPE	1	
9	15831-93J00	UNION, DELIVERY PIPE	2	
10	18498-93J00	PROTECTOR, FUEL HOSE (L:340)	1	
11	09247-14041	PLUG (14X14)	1	
12	09320-08062	CUSHION	6	
13	09360-14009	UNION	1	
14	09401-11425	CLIP	4	
15	09403-16307	CLAMP	1	
16	09408-00105	CLAMP	1	
17	09408-00155	CLAMP	1	
18	01550-08407	BOLT	4	
19	15680-93J21	HOSE, FUEL (PUMP TO FILTER)	1	
20	09401-13423	CLIP	1	
21	09408-00135	CLIP	2	
22	15684-98J00	GUIDE, FUEL HOSE	1	
23	01550-06127	BOLT	2	

FIG.144K

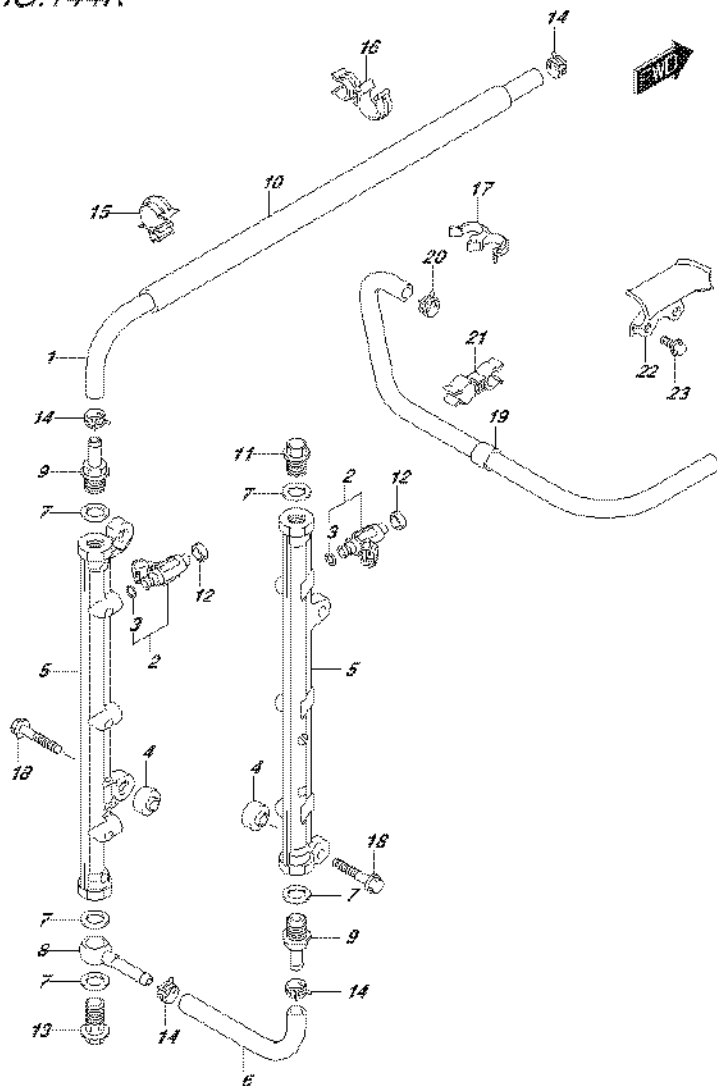


FIG.144K (1-F-10) FUEL INJECTOR (DF250T E40)

REF NO.	PART NO.	DESCRIPTION	Q'TY	REMARKS
1	15681-93J01	HOSE, FUEL (3WAY TO DLVY PIPE)	1	
2	15710-93J00	INJECTOR ASSY, FUEL	6	
3	15717-16G00	.O RING	6	
4	15735-58B00	INSULATOR, DELIVERY PIPE	4	
5	15751-93J00	PIPE, DELIVERY	2	
6	15756-93J01	HOSE, FUEL (DLVY TO DLVY)	1	
7	15762-93J10	GASKET, DELIVERY PIPE	5	
8	15832-93J00	UNION, DELIVERY PIPE	1	
9	15831-93J00	UNION, DELIVERY PIPE	2	
10	18498-93J00	PROTECTOR, FUEL HOSE (L:340)	1	
11	09247-14042	PLUG (14X14)	1	
12	09320-08062	CUSHION	6	
13	09360-14014	UNION	1	
14	09401-11425	CLIP	4	
15	09403-16307	CLAMP	1	
16	09408-00105	CLAMP	1	
17	09408-00155	CLAMP	1	
18	01550-08407	BOLT	4	
19	15680-93J21	HOSE, FUEL (PUMP TO FILTER)	1	
20	09401-13423	CLIP	1	
21	09408-00135	CLIP	2	
22	15684-98J00	GUIDE, FUEL HOSE	1	
23	01550-06127	BOLT	2	

FIG.144L

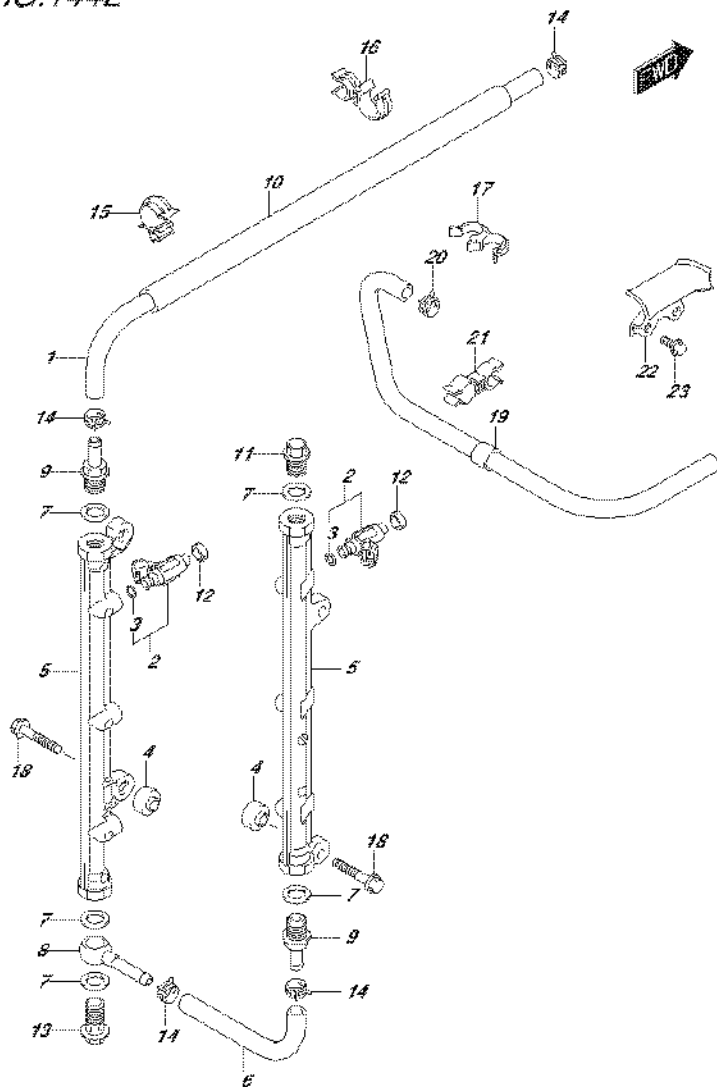


FIG.144L (1-F-11) FUEL INJECTOR (DF250Z E01)

REF NO.	PART NO.	DESCRIPTION	Q'TY	REMARKS
1	15681-93J01	HOSE, FUEL (3WAY TO DLVY PIPE)	1	
2	15710-93J00	INJECTOR ASSY, FUEL	6	
3	15717-16G00	.O RING	6	
4	15735-58B00	INSULATOR, DELIVERY PIPE	4	
5	15751-93J00	PIPE, DELIVERY	2	
6	15756-93J01	HOSE, FUEL (DLVY TO DLVY)	1	
7	15762-93J00	GASKET, DELIVERY PIPE	5	
8	15830-77EA0	UNION, DELIVERY PIPE	1	
9	15831-93J00	UNION, DELIVERY PIPE	2	
10	18498-93J00	PROTECTOR, FUEL HOSE (L:340)	1	
11	09247-14041	PLUG (14X14)	1	
12	09320-08062	CUSHION	6	
13	09360-14009	UNION	1	
14	09401-11425	CLIP	4	
15	09403-16307	CLAMP	1	
16	09408-00105	CLAMP	1	
17	09408-00155	CLAMP	1	
18	01550-08407	BOLT	4	
19	15680-93J21	HOSE, FUEL (PUMP TO FILTER)	1	
20	09401-13423	CLIP	1	
21	09408-00135	CLIP	2	
22	15684-98J00	GUIDE, FUEL HOSE	1	
23	01550-06127	BOLT	2	

FIG.144M

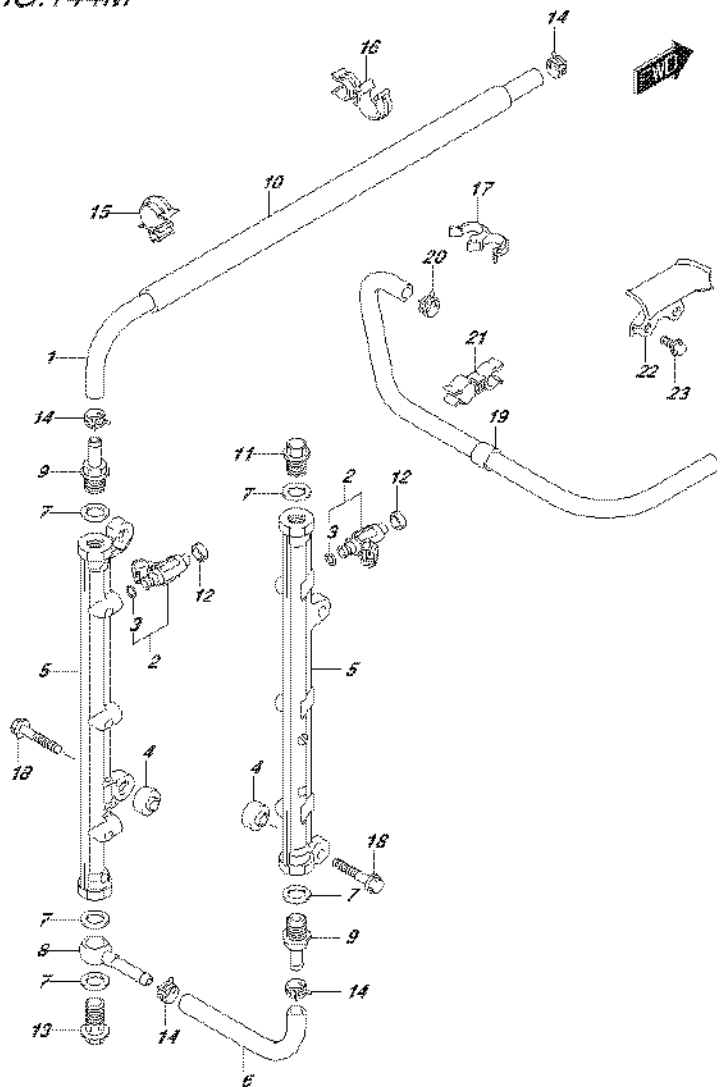
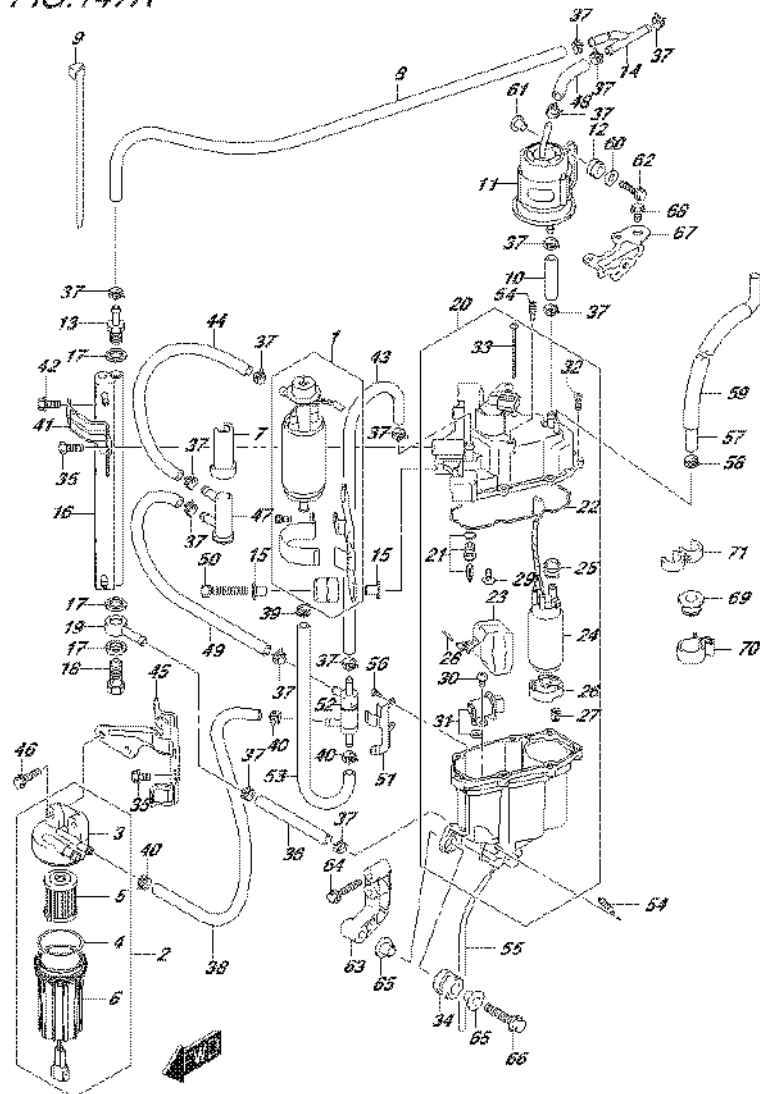


FIG.144M (1-F-12) FUEL INJECTOR (DF250Z E40)

REF NO.	PART NO.	DESCRIPTION	Q'TY	REMARKS
1	15681-93J01	HOSE, FUEL (3WAY TO DLVY PIPE)	1	
2	15710-93J00	INJECTOR ASSY, FUEL	6	
3	15717-16G00	.O RING	6	
4	15735-58B00	INSULATOR, DELIVERY PIPE	4	
5	15751-93J00	PIPE, DELIVERY	2	
6	15756-93J01	HOSE, FUEL (DLVY TO DLVY)	1	
7	15762-93J10	GASKET, DELIVERY PIPE	5	
8	15832-93J00	UNION, DELIVERY PIPE	1	
9	15831-93J00	UNION, DELIVERY PIPE	2	
10	18498-93J00	PROTECTOR, FUEL HOSE (L:340)	1	
11	09247-14042	PLUG (14X14)	1	
12	09320-08062	CUSHION	6	
13	09360-14014	UNION	1	
14	09401-11425	CLIP	4	
15	09403-16307	CLAMP	1	
16	09408-00105	CLAMP	1	
17	09408-00155	CLAMP	1	
18	01550-08407	BOLT	4	
19	15680-93J21	HOSE, FUEL (PUMP TO FILTER)	1	
20	09401-13423	CLIP	1	
21	09408-00135	CLIP	2	
22	15684-98J00	GUIDE, FUEL HOSE	1	
23	01550-06127	BOLT	2	

FIG.147A

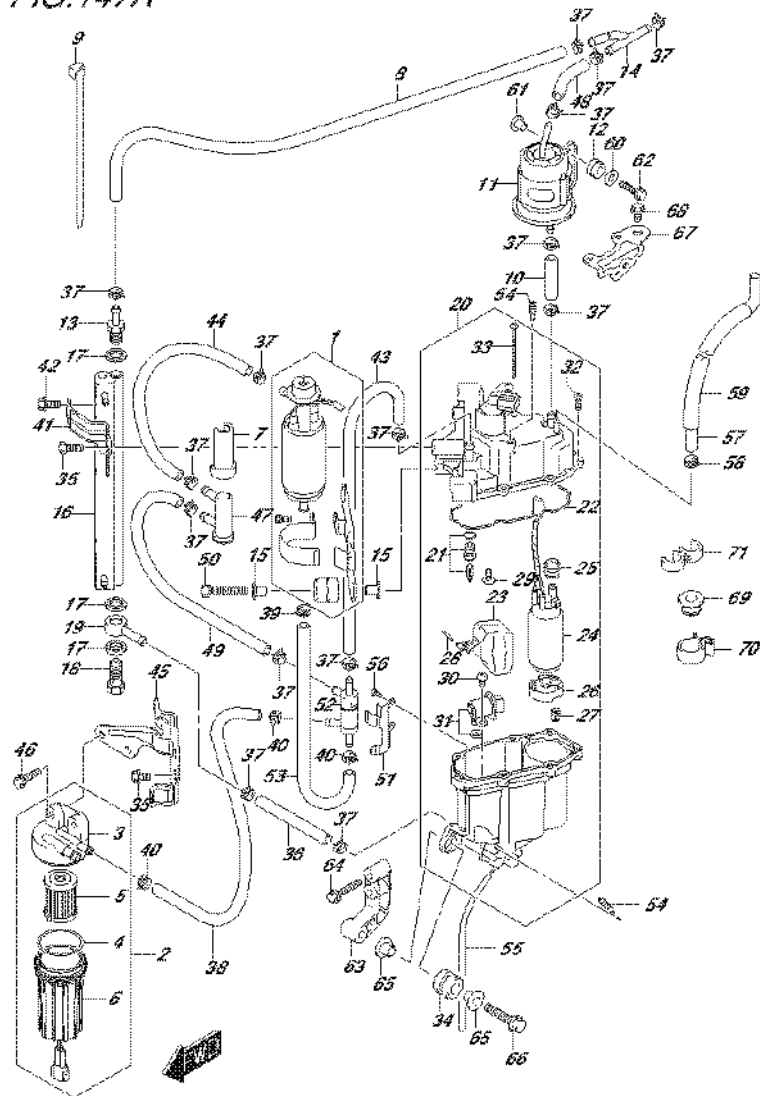


DF250_E01_016_147A
FUEL PUMP/FUEL VAPOR SEPARATOR

FIG.147A (1-F-13) FUEL PUMP/FUEL VAPOR SEPARATOR (DF200T E01)

REF NO.	PART NO.	DESCRIPTION	Q'TY	REMARKS
1	15100-94900	PUMP ASSY, FUEL (L)	1	
2	15410-93J10	FILTER, FUEL (L)	1	
3	15411-93J10	.CAP, FUEL FILTER	1	
4	15415-93J10	.SEAL, FUEL FILTER NO.1	1	
5	15412-93J10	.FILTER ASSY, FUEL	1	
6	15413-93J10	.CASE ASSY, FUEL FILTER	1	
7	15644-93J00	COVER, FUEL FILTER	3	
8	15633-93J20	HOSE, FUEL (H)	1	
9	15646-93J00	CLAMP, FUEL FILTER	1	
10	09343-75001-600	HOSE (7.5X13.5X600)	1	L:600->65
11	15440-93J00	FILTER, FUEL (EPI)	1	
12	09320-08501	CUSHION	2	
13	15773-90J00	UNION, FUEL HOSE (H)	1	
14	15830-93J00	UNION, 3 WAY	1	
15	09169-06062	WASHER	4	
16	15770-93J00	COOLER, FUEL	1	
17	09168-12013	GASKET (11.8X22X1.2)	3	
18	09360-12008	UNION	1	
19	09363-08004	UNION	1	
20	15600-93J01	SEPARATOR ASSY, FUEL VAPOR	1	
21	13370-93J00	.VALVE ASSY, NEEDLE	1	
22	15626-93J00	.GASKET, SEPARATOR	1	
23	15650-93J00	.FLOAT ASSY	1	
24	15200-93J01	.PUMP ASSY, FUEL (H)	1	
25	15647-93J00	.BUSH, FUEL PUMP	1	
26	15641-90J00	.SPACER, FUEL PUMP	1	
27	15642-90J00	.FILTER, FUEL PUMP	1	
28	15654-99E00	.PIN, FLOAT	1	
29	02142-0408B	.SCREW	1	
30	02112-05107	.SCREW	1	
31	15760-93J00	.REGULATOR, FUEL PRESSURE	1	
32	15628-99E00	.SCREW	6	
33	15627-93J00	.SCREW	1	

FIG.147A



DF250_E01_016_147A
 FUEL PUMP/FUEL VAPOR SEPARATOR

FIG.147A (1-F-14) FUEL PUMP/FUEL VAPOR SEPARATOR (DF200T E01)

REF NO.	PART NO.	DESCRIPTION	Q'TY	REMARKS
34	09320-12072	CUSHION	3	
35	15675-93J00	BOLT, COOLER BRACKET	3	
36	09343-75001-600	HOSE (7.5X13.5X600)	1	L:600->50
37	09401-11414	CLIP (ID:11.5)	14	
38	15636-98J20	HOSE, FUEL (L)	1	
39	15686-93J00	CLIP	1	
40	15685-93J00	CLIP	3	
41	15672-93J00	BRACKET, FUEL COOLER	1	
42	01500-06167	BOLT	4	
43	15635-93J20	HOSE, FUEL (H)	1	
44	15632-93J20	HOSE, FUEL (H)	1	
45	15673-98J00	BRACKET, FUEL FILTER	1	
46	01550-06257	BOLT	2	
47	15643-93J00	FILTER, FUEL (L)	1	
48	09343-75001-600	HOSE (7.5X13.5X600)	1	L:600->65
49	15634-93J20	HOSE, FUEL (H)	1	
50	01570-06357	BOLT	2	
51	15674-93J00	BRACKET, CHECK VALVE	1	
52	15645-93J00	VALVE, CHECK	1	
53	15637-93J20	HOSE, FUEL (L)	1	
54	15629-99E10	SCREW, DRAIN	2	
55	15683-87J00	HOSE, DRAIN	1	
56	02112-0406B	SCREW	3	
57	09352-50823-00B	HOSE (5X8.2X2000)	1	L:2000->1230
58	09401-08412	CLIP	1	
59	18498-93J10	PROTECTOR, EVAP HOSE (L:1130)	1	
60	09160-06084	WASHER (6.5X18X1.6)	2	
61	09169-06062	WASHER	2	
62	01500-06257	BOLT	2	
63	15671-93J00	BRACKET, VAPOR SEPARATOR	1	
64	01550-06357	BOLT	2	
65	09169-08042	WASHER	6	
66	01550-08407	BOLT	3	

DF250_E01_016

FIG. 147A

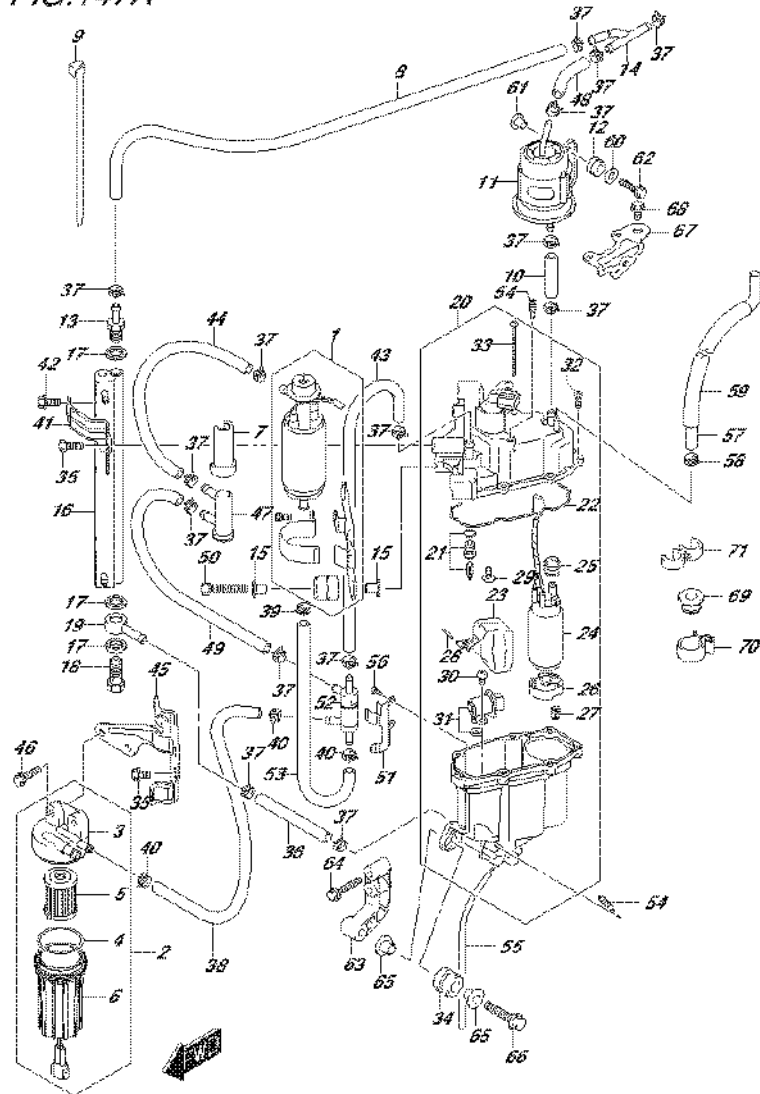
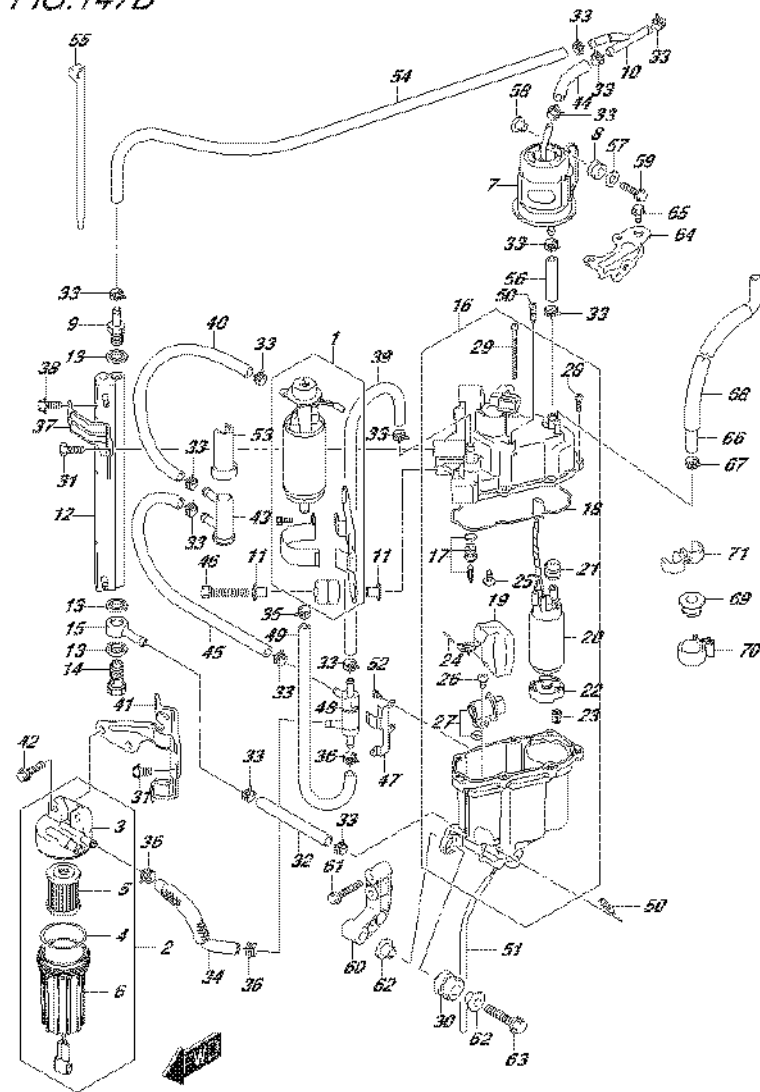


FIG.147A (1-F-15) FUEL PUMP/FUEL VAPOR SEPARATOR (DF200T E01)

REF NO.	PART NO.	DESCRIPTION	Q'TY	REMARKS
67	18417-93J00	BRACKET, PURGE VALVE	1	
68	01550-06127	BOLT	2	
69	09320-08086	CUSHION	1	
70	09403-14304	CLAMP	1	
71	09408-00043	CLAMP	1	

FIG.147B



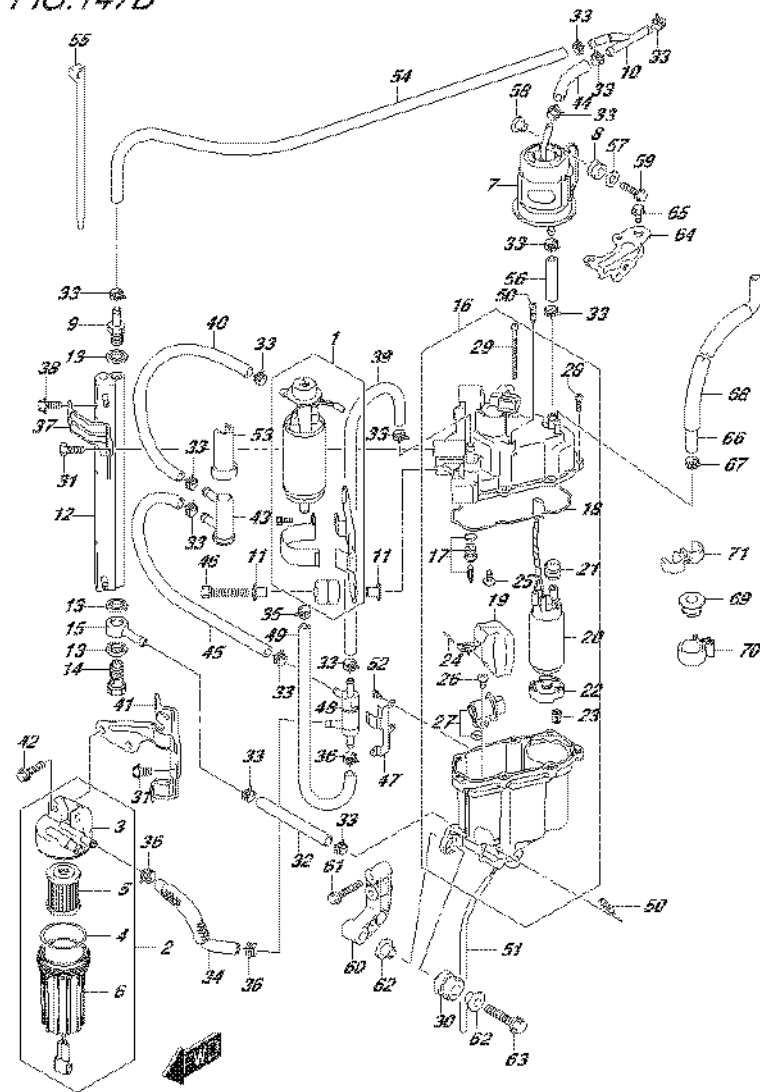
DF250_E01_016_147B
FUEL PUMP/FUEL VAPOR SEPARATOR

FIG.147B (1-G-2) FUEL PUMP/FUEL VAPOR SEPARATOR (DF200T E40)

REF NO.	PART NO.	DESCRIPTION	Q'TY	REMARKS
1	15100-94900	PUMP ASSY, FUEL (L)	1	
2	15410-93J10	FILTER, FUEL (L)	1	
3	15411-93J10	.CAP, FUEL FILTER	1	
4	15415-93J10	.SEAL, FUEL FILTER NO.1	1	
5	15412-93J10	.FILTER ASSY, FUEL	1	
6	15413-93J10	.CASE ASSY, FUEL FILTER	1	
7	15440-93J10	FILTER, FUEL (EPI)	1	
8	09320-08501	CUSHION	2	
9	15773-90J00	UNION, FUEL HOSE (H)	1	
10	15830-93J00	UNION, 3 WAY	1	
11	09169-06062	WASHER	4	
12	15770-93J00	COOLER, FUEL	1	
13	15762-90J00	GASKET, FUEL COOLER UNION	3	
14	09360-12013	UNION	1	
15	15830-90J00	UNION, FUEL COOLER	1	
16	15600-93J11	SEPARATOR ASSY, FUEL VAPOR	1	
17	13370-93J10	.VALVE ASSY, NEEDLE	1	
18	15626-93J10	.GASKET, SEPARATOR	1	
19	15650-93J00	.FLOAT ASSY	1	
20	15200-93J11	.PUMP ASSY, FUEL (H)	1	
21	15647-93J10	.BUSH, FUEL PUMP	1	
22	15641-90J10	.SPACER, FUEL PUMP	1	
23	15642-90J00	.FILTER, FUEL PUMP	1	
24	15654-99E00	.PIN, FLOAT	1	
25	13614-93J00	.SCREW	1	
26	15631-99E10	.SCREW, REGULATOR	1	
27	15760-93J00	.REGULATOR, FUEL PRESSURE	1	
28	15628-99E00	.SCREW	6	
29	15627-93J00	.SCREW	1	
30	09320-12072	CUSHION	3	
31	15675-93J00	BOLT, COOLER BRACKET	3	
32	09343-75001-600	HOSE (7.5X13.5X600)	1	L:600->50
33	09401-11414	CLIP (ID:11.5)	14	

DF250_E01_016

FIG.147B



DF250_E01_016_147B
 FUEL PUMP/FUEL VAPOR SEPARATOR

FIG.147B (1-G-3) FUEL PUMP/FUEL VAPOR SEPARATOR (DF200T E40)

REF NO.	PART NO.	DESCRIPTION	Q'TY	REMARKS
34	15636-98J20	HOSE, FUEL (L)	1	
35	15686-93J00	CLIP (ID:11.5)	1	
36	15685-93J00	CLIP	3	
37	15672-93J00	BRACKET, FUEL COOLER	1	
38	01500-06167	BOLT	4	
39	15635-93J20	HOSE, FUEL (H)	1	
40	15632-93J20	HOSE, FUEL (H)	1	
41	15673-98J00	BRACKET, FUEL FILTER	1	
42	01550-06257	BOLT	2	
43	15643-93J00	FILTER, FUEL (L)	1	
44	09343-75001-600	HOSE (7.5X13.5X600)	1	L:600->65
45	15634-93J20	HOSE, FUEL (H)	1	
46	01570-06357	BOLT	2	
47	15674-93J00	BRACKET, CHECK VALVE	1	
48	15645-93J10	VALVE, CHECK	1	
49	15637-93J20	HOSE, FUEL (L)	1	
50	15629-99E10	SCREW, DRAIN	2	
51	15683-87J00	HOSE, DRAIN	1	
52	02112-0406B	SCREW	3	
53	15644-93J00	COVER, FUEL FILTER	3	
54	15633-93J20	HOSE, FUEL (H)	1	
55	15646-93J00	CLAMP, FUEL FILTER	1	
56	09343-75001-600	HOSE (7.5X13.5X600)	1	L:600->65
57	09160-06084	WASHER (6.5X18X1.6)	2	
58	09169-06062	WASHER	2	
59	01500-06257	BOLT	2	
60	15671-93J00	BRACKET, VAPOR SEPARATOR	1	
61	01550-06357	BOLT	2	
62	09169-08042	WASHER	6	
63	01550-08407	BOLT	3	
64	18417-93J00	BRACKET, PURGE VALVE	1	
65	01550-06127	BOLT	2	

DF250_E01_016

FIG.147B

FIG.147B (1-G-4) FUEL PUMP/FUEL VAPOR SEPARATOR (DF200T E40)

REF NO.	PART NO.	DESCRIPTION	Q'TY	REMARKS
66	09352-50823-00B	HOSE (5X8.2X2000)	1	L:2000->1230
67	09401-08412	CLIP	1	
68	18498-93J10	PROTECTOR, EVAP HOSE (L:1130)	1	
69	09320-08086	CUSHION	1	
70	09403-14304	CLAMP	1	
71	09408-00043	CLAMP	1	

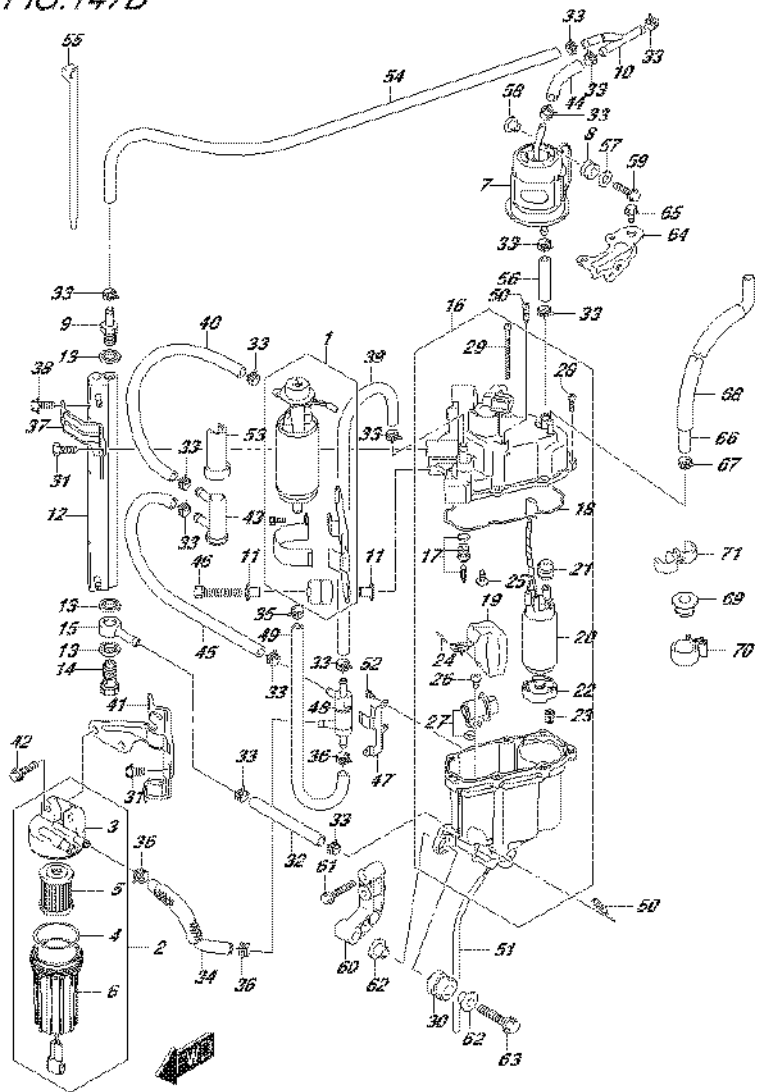


FIG.147C

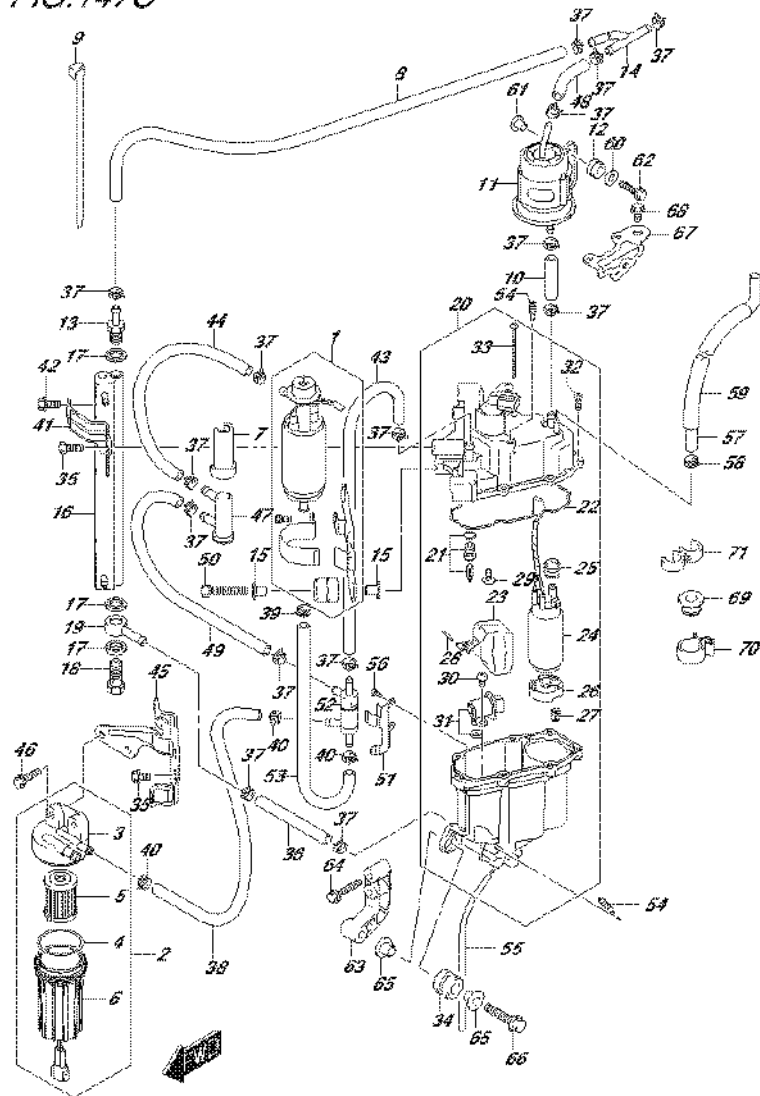
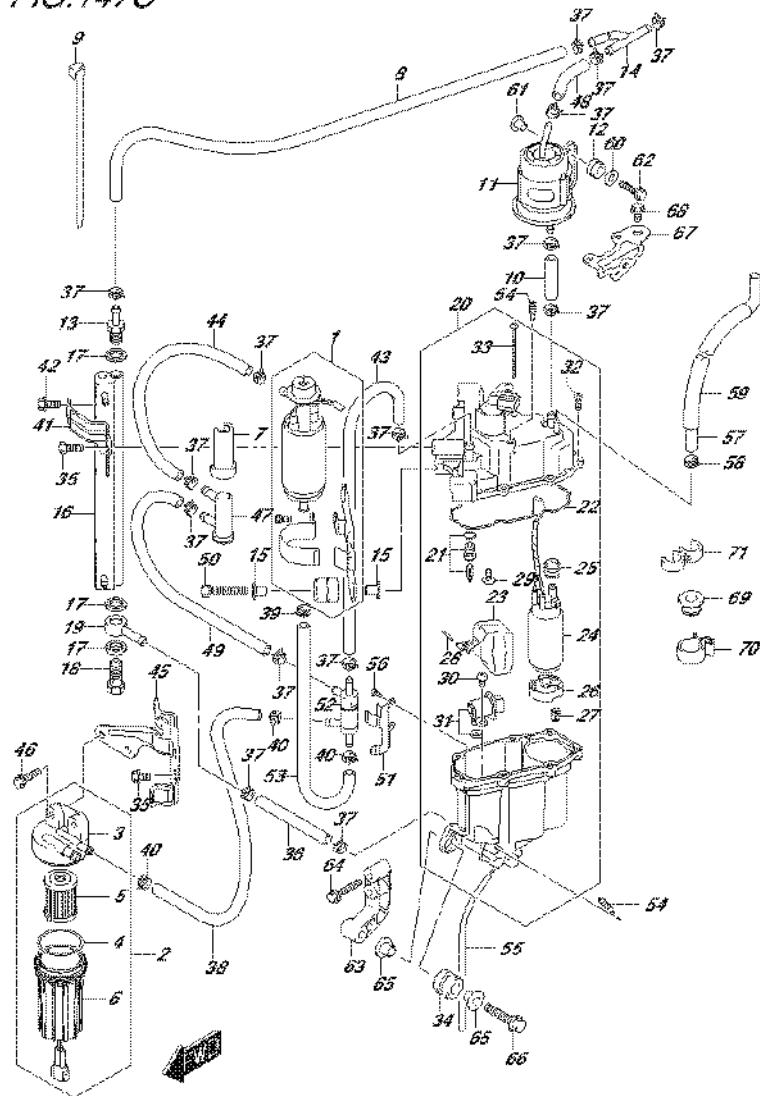


FIG.147C (1-G-5) FUEL PUMP/FUEL VAPOR SEPARATOR (DF200Z E01)

REF NO.	PART NO.	DESCRIPTION	Q'TY	REMARKS
1	15100-94900	PUMP ASSY, FUEL (L)	1	
2	15410-93J10	FILTER, FUEL (L)	1	
3	15411-93J10	.CAP, FUEL FILTER	1	
4	15415-93J10	.SEAL, FUEL FILTER NO.1	1	
5	15412-93J10	.FILTER ASSY, FUEL	1	
6	15413-93J10	.CASE ASSY, FUEL FILTER	1	
7	15644-93J00	COVER, FUEL FILTER	3	
8	15633-93J20	HOSE, FUEL (H)	1	
9	15646-93J00	CLAMP, FUEL FILTER	1	
10	09343-75001-600	HOSE (7.5X13.5X600)	1	L:600->65
11	15440-93J00	FILTER, FUEL (EPI)	1	
12	09320-08501	CUSHION	2	
13	15773-90J00	UNION, FUEL HOSE (H)	1	
14	15830-93J00	UNION, 3 WAY	1	
15	09169-06062	WASHER	4	
16	15770-93J00	COOLER, FUEL	1	
17	09168-12013	GASKET (11.8X22X1.2)	3	
18	09360-12008	UNION	1	
19	09363-08004	UNION	1	
20	15600-93J01	SEPARATOR ASSY, FUEL VAPOR	1	
21	13370-93J00	.VALVE ASSY, NEEDLE	1	
22	15626-93J00	.GASKET, SEPARATOR	1	
23	15650-93J00	.FLOAT ASSY	1	
24	15200-93J01	.PUMP ASSY, FUEL (H)	1	
25	15647-93J00	.BUSH, FUEL PUMP	1	
26	15641-90J00	.SPACER, FUEL PUMP	1	
27	15642-90J00	.FILTER, FUEL PUMP	1	
28	15654-99E00	.PIN, FLOAT	1	
29	02142-0408B	.SCREW	1	
30	02112-05107	.SCREW	1	
31	15760-93J00	.REGULATOR, FUEL PRESSURE	1	
32	15628-99E00	.SCREW	6	
33	15627-93J00	.SCREW	1	

FIG.147C



DF250_E01_016_147C
 FUEL PUMP/FUEL VAPOR SEPARATOR

FIG.147C (1-G-6) FUEL PUMP/FUEL VAPOR SEPARATOR (DF200Z E01)

REF NO.	PART NO.	DESCRIPTION	Q'TY	REMARKS
34	09320-12072	CUSHION	3	
35	15675-93J00	BOLT, COOLER BRACKET	3	
36	09343-75001-600	HOSE (7.5X13.5X600)	1	L:600->50
37	09401-11414	CLIP (ID:11.5)	14	
38	15636-98J20	HOSE, FUEL (L)	1	
39	15686-93J00	CLIP	1	
40	15685-93J00	CLIP	3	
41	15672-93J00	BRACKET, FUEL COOLER	1	
42	01500-06167	BOLT	4	
43	15635-93J20	HOSE, FUEL (H)	1	
44	15632-93J20	HOSE, FUEL (H)	1	
45	15673-98J00	BRACKET, FUEL FILTER	1	
46	01550-06257	BOLT	2	
47	15643-93J00	FILTER, FUEL (L)	1	
48	09343-75001-600	HOSE (7.5X13.5X600)	1	L:600->65
49	15634-93J20	HOSE, FUEL (H)	1	
50	01570-06357	BOLT	2	
51	15674-93J00	BRACKET, CHECK VALVE	1	
52	15645-93J00	VALVE, CHECK	1	
53	15637-93J20	HOSE, FUEL (L)	1	
54	15629-99E10	SCREW, DRAIN	2	
55	15683-87J00	HOSE, DRAIN	1	
56	02112-0406B	SCREW	3	
57	09352-50823-00B	HOSE (5X8.2X2000)	1	L:2000->1230
58	09401-08412	CLIP	1	
59	18498-93J10	PROTECTOR, EVAP HOSE (L:1130)	1	
60	09160-06084	WASHER (6.5X18X1.6)	2	
61	09169-06062	WASHER	2	
62	01500-06257	BOLT	2	
63	15671-93J00	BRACKET, VAPOR SEPARATOR	1	
64	01550-06357	BOLT	2	
65	09169-08042	WASHER	6	
66	01550-08407	BOLT	3	

DF250_E01_016

FIG.147C

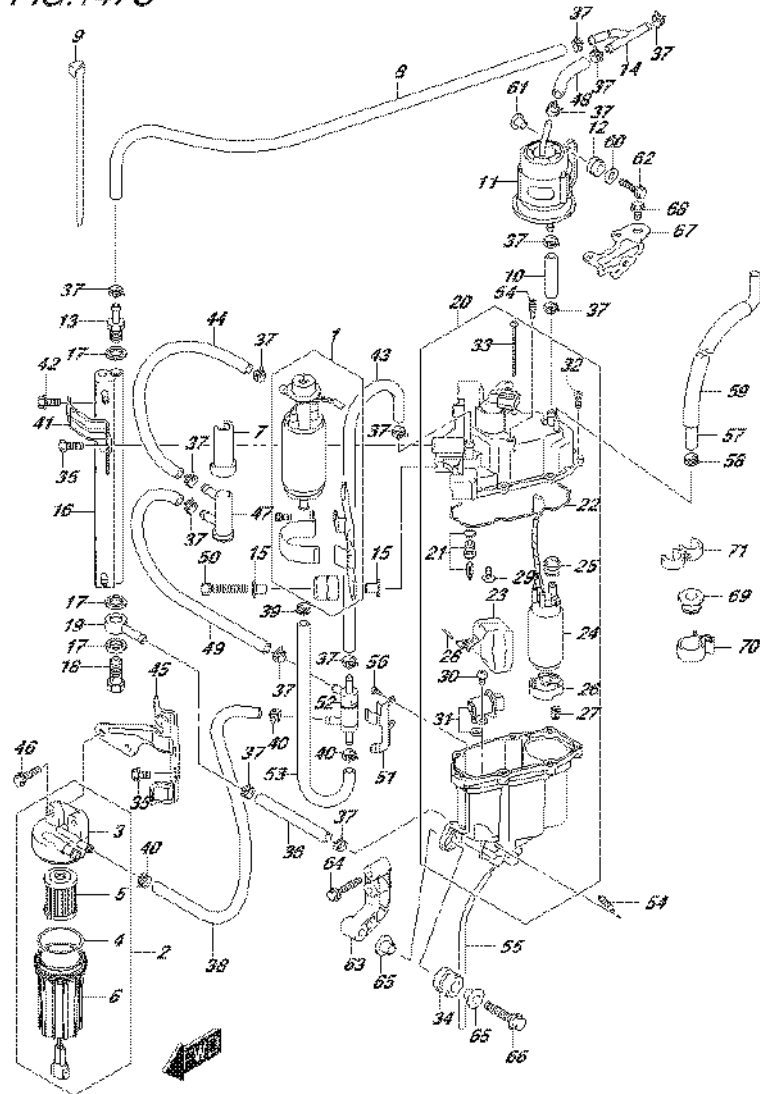


FIG.147C (1-G-7) FUEL PUMP/FUEL VAPOR SEPARATOR (DF200Z E01)

REF NO.	PART NO.	DESCRIPTION	Q'TY	REMARKS
67	18417-93J00	BRACKET, PURGE VALVE	1	
68	01550-06127	BOLT	2	
69	09320-08086	CUSHION	1	
70	09403-14304	CLAMP	1	
71	09408-00043	CLAMP	1	

FIG.147D

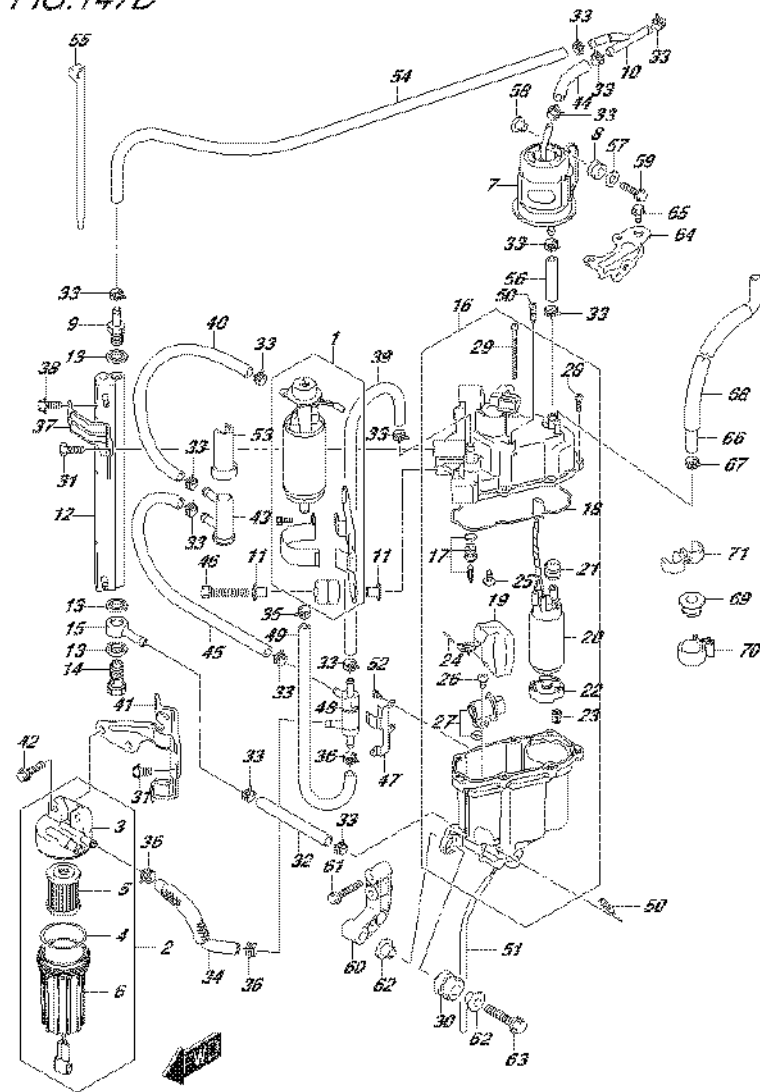


FIG.147D (1-G-8) FUEL PUMP/FUEL VAPOR SEPARATOR (DF200Z E40)

REF NO.	PART NO.	DESCRIPTION	Q'TY	REMARKS
1	15100-94900	PUMP ASSY, FUEL (L)	1	
2	15410-93J10	FILTER, FUEL (L)	1	
3	15411-93J10	.CAP, FUEL FILTER	1	
4	15415-93J10	.SEAL, FUEL FILTER NO.1	1	
5	15412-93J10	.FILTER ASSY, FUEL	1	
6	15413-93J10	.CASE ASSY, FUEL FILTER	1	
7	15440-93J10	FILTER, FUEL (EPI)	1	
8	09320-08501	CUSHION	2	
9	15773-90J00	UNION, FUEL HOSE (H)	1	
10	15830-93J00	UNION, 3 WAY	1	
11	09169-06062	WASHER	4	
12	15770-93J00	COOLER, FUEL	1	
13	15762-90J00	GASKET, FUEL COOLER UNION	3	
14	09360-12013	UNION	1	
15	15830-90J00	UNION, FUEL COOLER	1	
16	15600-93J11	SEPARATOR ASSY, FUEL VAPOR	1	
17	13370-93J10	.VALVE ASSY, NEEDLE	1	
18	15626-93J10	.GASKET, SEPARATOR	1	
19	15650-93J00	.FLOAT ASSY	1	
20	15200-93J11	.PUMP ASSY, FUEL (H)	1	
21	15647-93J10	.BUSH, FUEL PUMP	1	
22	15641-90J10	.SPACER, FUEL PUMP	1	
23	15642-90J00	.FILTER, FUEL PUMP	1	
24	15654-99E00	.PIN, FLOAT	1	
25	13614-93J00	.SCREW	1	
26	15631-99E10	.SCREW, REGULATOR	1	
27	15760-93J00	.REGULATOR, FUEL PRESSURE	1	
28	15628-99E00	.SCREW	6	
29	15627-93J00	.SCREW	1	
30	09320-12072	CUSHION	3	
31	15675-93J00	BOLT, COOLER BRACKET	3	
32	09343-75001-600	HOSE (7.5X13.5X600)	1	L:600->50
33	09401-11414	CLIP (ID:11.5)	14	

FIG.147D

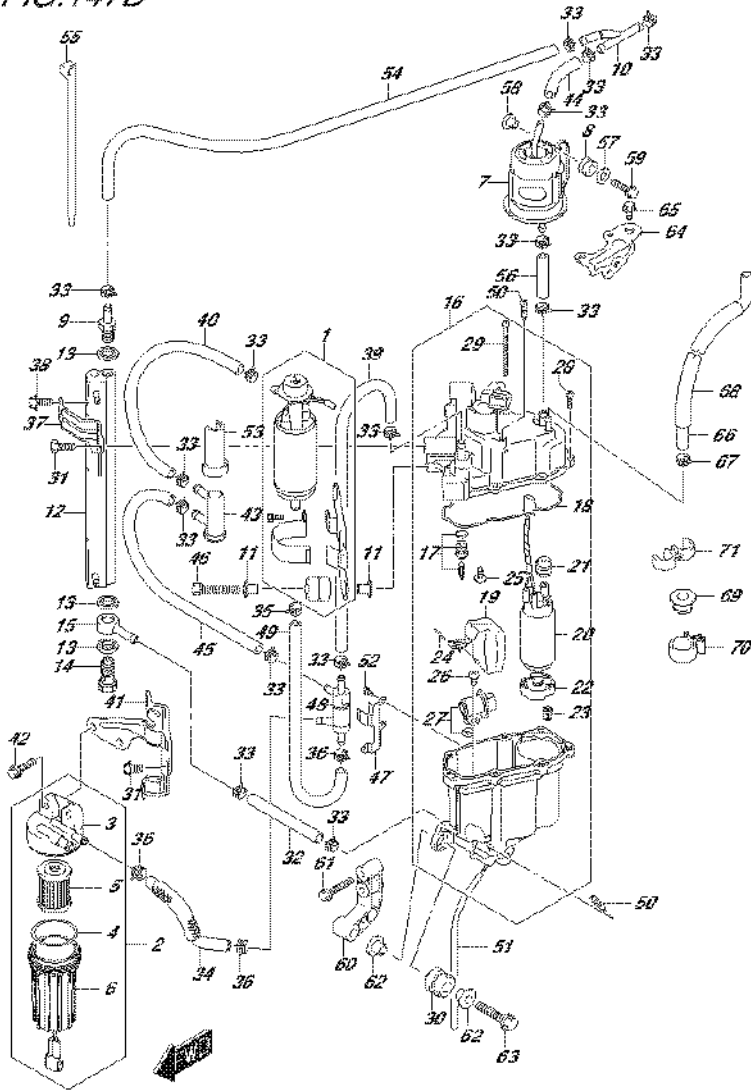


FIG.147D (1-G-9) FUEL PUMP/FUEL VAPOR SEPARATOR (DF200Z E40)

REF NO.	PART NO.	DESCRIPTION	Q'TY	REMARKS
34	15636-98J20	HOSE, FUEL (L)	1	
35	15686-93J00	CLIP (ID:11.5)	1	
36	15685-93J00	CLIP	3	
37	15672-93J00	BRACKET, FUEL COOLER	1	
38	01500-06167	BOLT	4	
39	15635-93J20	HOSE, FUEL (H)	1	
40	15632-93J20	HOSE, FUEL (H)	1	
41	15673-98J00	BRACKET, FUEL FILTER	1	
42	01550-06257	BOLT	2	
43	15643-93J00	FILTER, FUEL (L)	1	
44	09343-75001-600	HOSE (7.5X13.5X600)	1	L:600->65
45	15634-93J20	HOSE, FUEL (H)	1	
46	01570-06357	BOLT	2	
47	15674-93J00	BRACKET, CHECK VALVE	1	
48	15645-93J10	VALVE, CHECK	1	
49	15637-93J20	HOSE, FUEL (L)	1	
50	15629-99E10	SCREW, DRAIN	2	
51	15683-87J00	HOSE, DRAIN	1	
52	02112-0406B	SCREW	3	
53	15644-93J00	COVER, FUEL FILTER	3	
54	15633-93J20	HOSE, FUEL (H)	1	
55	15646-93J00	CLAMP, FUEL FILTER	1	
56	09343-75001-600	HOSE (7.5X13.5X600)	1	L:600->65
57	09160-06084	WASHER (6.5X18X1.6)	2	
58	09169-06062	WASHER	2	
59	01500-06257	BOLT	2	
60	15671-93J00	BRACKET, VAPOR SEPARATOR	1	
61	01550-06357	BOLT	2	
62	09169-08042	WASHER	6	
63	01550-08407	BOLT	3	
64	18417-93J00	BRACKET, PURGE VALVE	1	
65	01550-06127	BOLT	2	

FIG.147D

FIG.147D (1-G-10) FUEL PUMP/FUEL VAPOR SEPARATOR (DF200Z E40)

REF NO.	PART NO.	DESCRIPTION	Q'TY	REMARKS
66	09352-50823-00B	HOSE (5X8.2X2000)	1	L:2000->1230
67	09401-08412	CLIP	1	
68	18498-93J10	PROTECTOR, EVAP HOSE (L:1130)	1	
69	09320-08086	CUSHION	1	
70	09403-14304	CLAMP	1	
71	09408-00043	CLAMP	1	

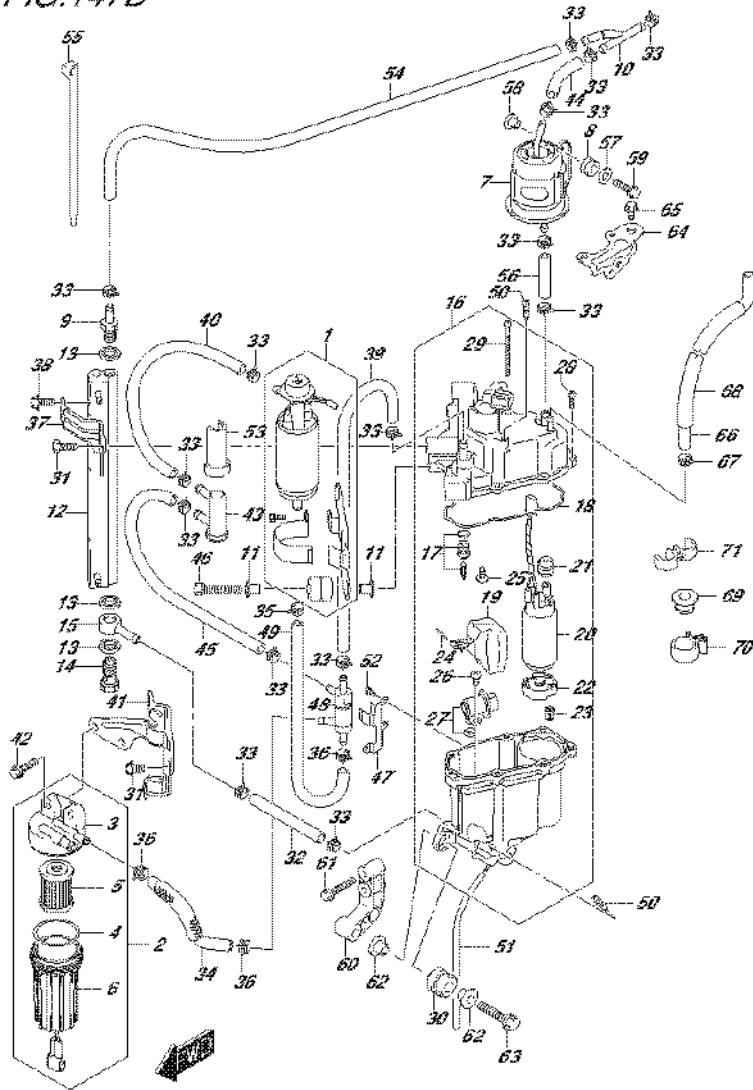
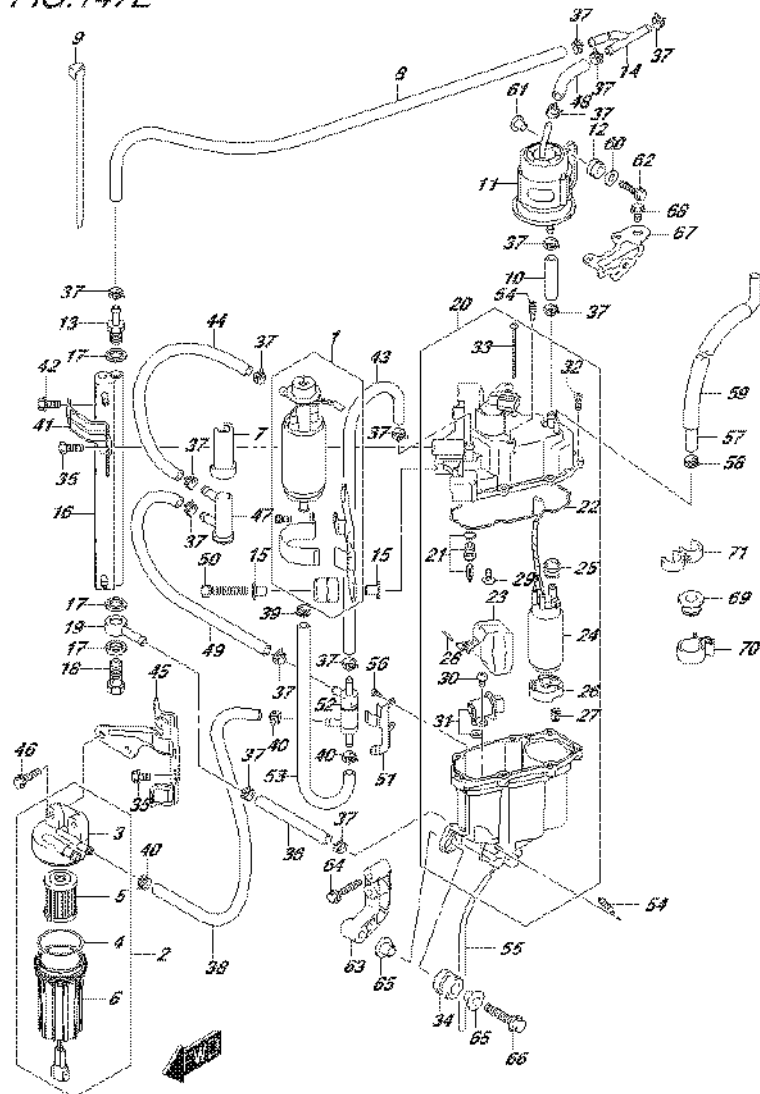


FIG.147E



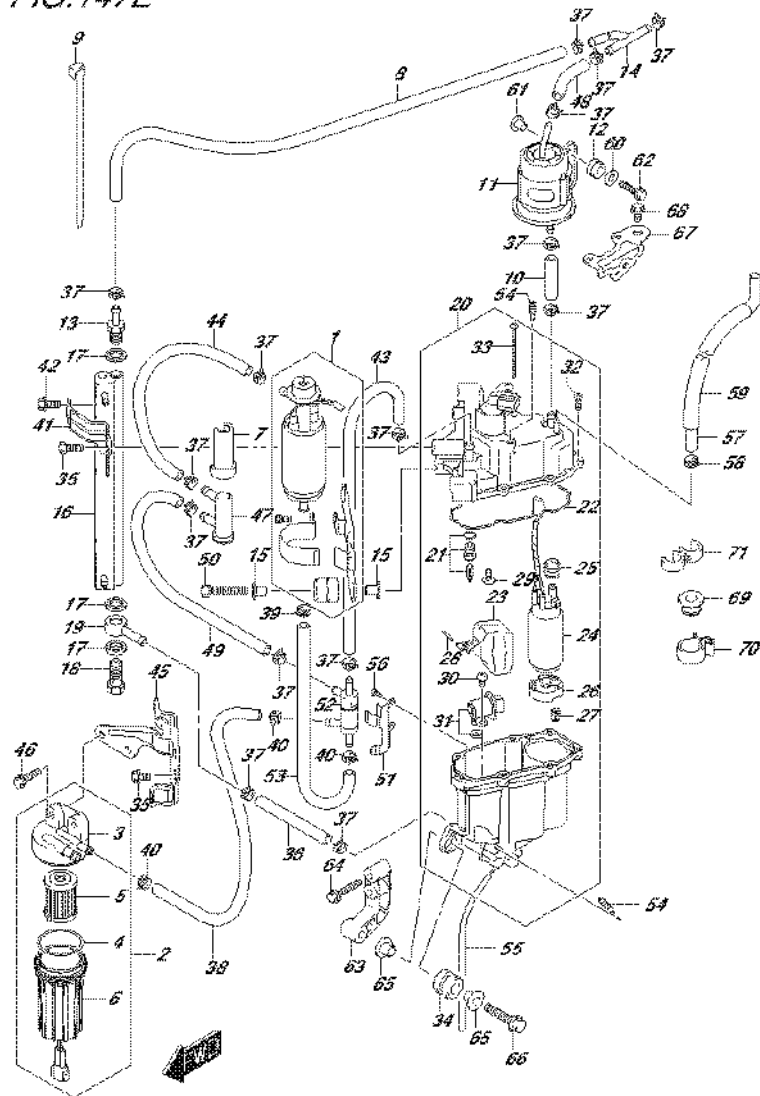
DF250_E01_016_147E
FUEL PUMP/FUEL VAPOR SEPARATOR

FIG.147E (1-G-11) FUEL PUMP/FUEL VAPOR SEPARATOR (DF225T E01)

REF NO.	PART NO.	DESCRIPTION	Q'TY	REMARKS
1	15100-94900	PUMP ASSY, FUEL (L)	1	
2	15410-93J10	FILTER, FUEL (L)	1	
3	15411-93J10	.CAP, FUEL FILTER	1	
4	15415-93J10	.SEAL, FUEL FILTER NO.1	1	
5	15412-93J10	.FILTER ASSY, FUEL	1	
6	15413-93J10	.CASE ASSY, FUEL FILTER	1	
7	15644-93J00	COVER, FUEL FILTER	3	
8	15633-93J20	HOSE, FUEL (H)	1	
9	15646-93J00	CLAMP, FUEL FILTER	1	
10	09343-75001-600	HOSE (7.5X13.5X600)	1	L:600->65
11	15440-93J00	FILTER, FUEL (EPI)	1	
12	09320-08501	CUSHION	2	
13	15773-90J00	UNION, FUEL HOSE (H)	1	
14	15830-93J00	UNION, 3 WAY	1	
15	09169-06062	WASHER	4	
16	15770-93J00	COOLER, FUEL	1	
17	09168-12013	GASKET (11.8X22X1.2)	3	
18	09360-12008	UNION	1	
19	09363-08004	UNION	1	
20	15600-93J01	SEPARATOR ASSY, FUEL VAPOR	1	
21	13370-93J00	.VALVE ASSY, NEEDLE	1	
22	15626-93J00	.GASKET, SEPARATOR	1	
23	15650-93J00	.FLOAT ASSY	1	
24	15200-93J01	.PUMP ASSY, FUEL (H)	1	
25	15647-93J00	.BUSH, FUEL PUMP	1	
26	15641-90J00	.SPACER, FUEL PUMP	1	
27	15642-90J00	.FILTER, FUEL PUMP	1	
28	15654-99E00	.PIN, FLOAT	1	
29	02142-0408B	.SCREW	1	
30	02112-05107	.SCREW	1	
31	15760-93J00	.REGULATOR, FUEL PRESSURE	1	
32	15628-99E00	.SCREW	6	
33	15627-93J00	.SCREW	1	

DF250_E01_016

FIG.147E



DF250_E01_016_147E
FUEL PUMP/FUEL VAPOR SEPARATOR

FIG.147E (1-G-12) FUEL PUMP/FUEL VAPOR SEPARATOR (DF225T E01)

REF NO.	PART NO.	DESCRIPTION	Q'TY	REMARKS
34	09320-12072	CUSHION	3	
35	15675-93J00	BOLT, COOLER BRACKET	3	
36	09343-75001-600	HOSE (7.5X13.5X600)	1	L:600->50
37	09401-11414	CLIP (ID:11.5)	14	
38	15636-98J20	HOSE, FUEL (L)	1	
39	15686-93J00	CLIP	1	
40	15685-93J00	CLIP	3	
41	15672-93J00	BRACKET, FUEL COOLER	1	
42	01500-06167	BOLT	4	
43	15635-93J20	HOSE, FUEL (H)	1	
44	15632-93J20	HOSE, FUEL (H)	1	
45	15673-98J00	BRACKET, FUEL FILTER	1	
46	01550-06257	BOLT	2	
47	15643-93J00	FILTER, FUEL (L)	1	
48	09343-75001-600	HOSE (7.5X13.5X600)	1	L:600->65
49	15634-93J20	HOSE, FUEL (H)	1	
50	01570-06357	BOLT	2	
51	15674-93J00	BRACKET, CHECK VALVE	1	
52	15645-93J00	VALVE, CHECK	1	
53	15637-93J20	HOSE, FUEL (L)	1	
54	15629-99E10	SCREW, DRAIN	2	
55	15683-87J00	HOSE, DRAIN	1	
56	02112-0406B	SCREW	3	
57	09352-50823-00B	HOSE (5X8.2X2000)	1	L:2000->1230
58	09401-08412	CLIP	1	
59	18498-93J10	PROTECTOR, EVAP HOSE (L:1130)	1	
60	09160-06084	WASHER (6.5X18X1.6)	2	
61	09169-06062	WASHER	2	
62	01500-06257	BOLT	2	
63	15671-93J00	BRACKET, VAPOR SEPARATOR	1	
64	01550-06357	BOLT	2	
65	09169-08042	WASHER	6	
66	01550-08407	BOLT	3	

DF250_E01_016

FIG. 147E

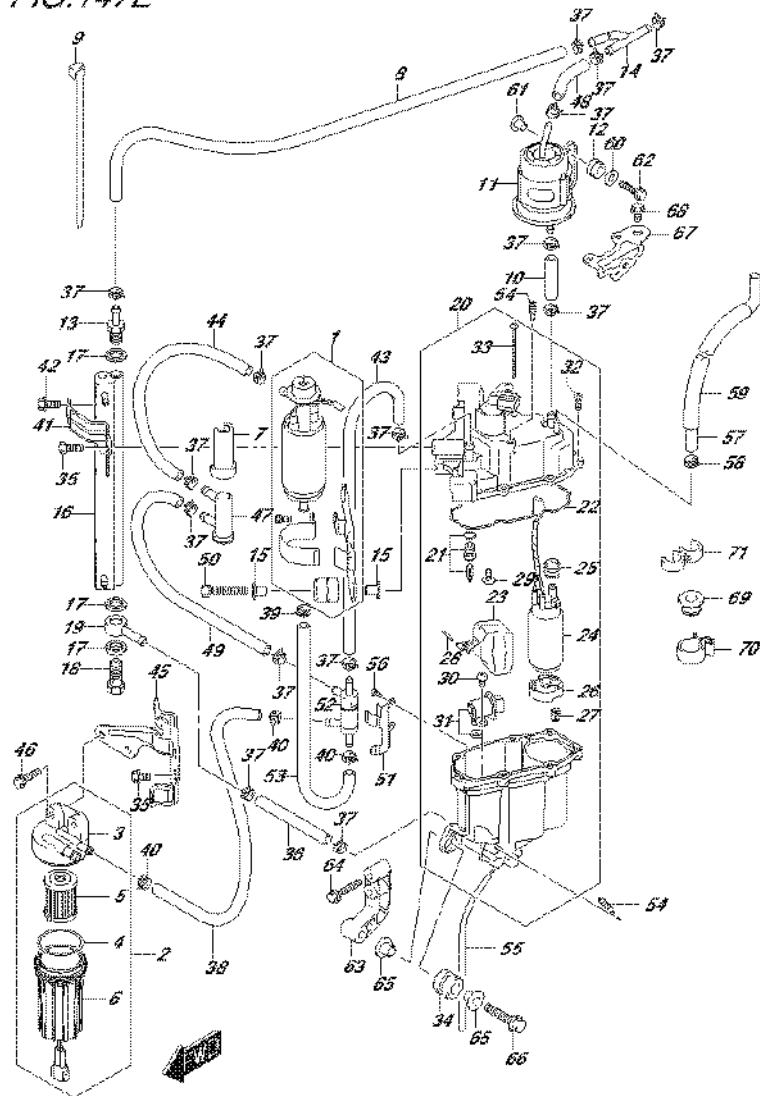
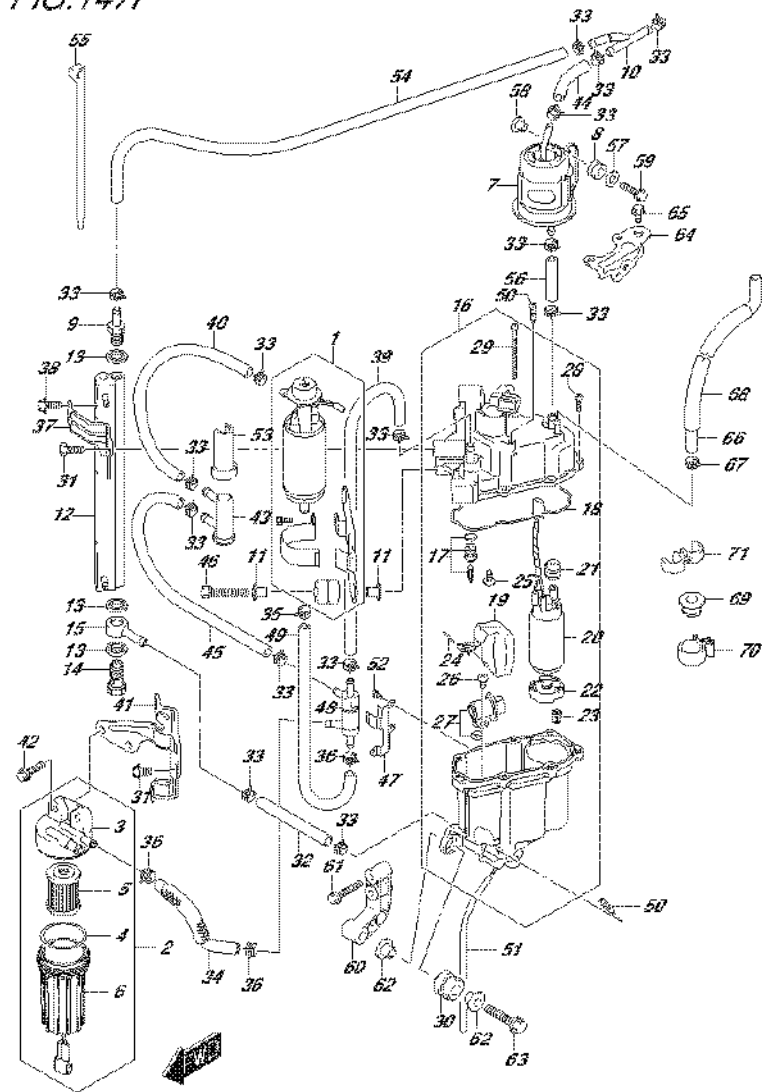


FIG.147E (1-G-13) FUEL PUMP/FUEL VAPOR SEPARATOR (DF225T E01)

REF NO.	PART NO.	DESCRIPTION	Q'TY	REMARKS
67	18417-93J00	BRACKET, PURGE VALVE	1	
68	01550-06127	BOLT	2	
69	09320-08086	CUSHION	1	
70	09403-14304	CLAMP	1	
71	09408-00043	CLAMP	1	

FIG.147F

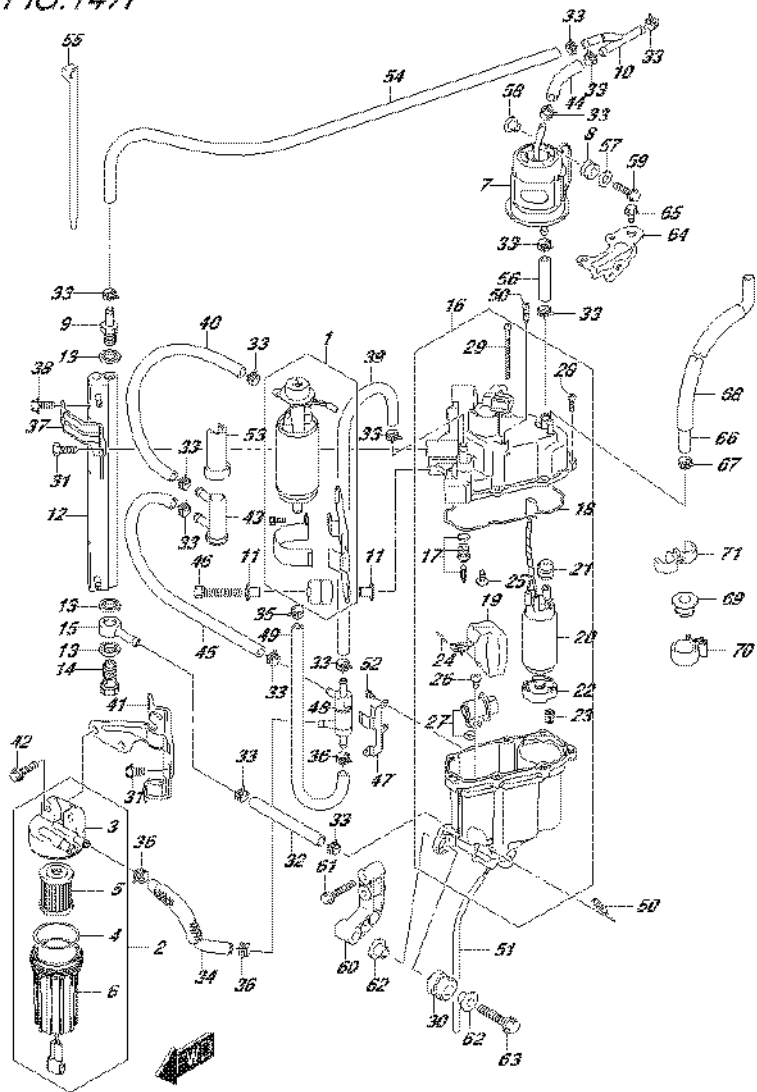


DF250_E01_016_147F
FUEL PUMP/FUEL VAPOR SEPARATOR

FIG.147F (1-G-14) FUEL PUMP/FUEL VAPOR SEPARATOR (DF225T E40)

REF NO.	PART NO.	DESCRIPTION	Q'TY	REMARKS
1	15100-94900	PUMP ASSY, FUEL (L)	1	
2	15410-93J10	FILTER, FUEL (L)	1	
3	15411-93J10	.CAP, FUEL FILTER	1	
4	15415-93J10	.SEAL, FUEL FILTER NO.1	1	
5	15412-93J10	.FILTER ASSY, FUEL	1	
6	15413-93J10	.CASE ASSY, FUEL FILTER	1	
7	15440-93J10	FILTER, FUEL (EPI)	1	
8	09320-08501	CUSHION	2	
9	15773-90J00	UNION, FUEL HOSE (H)	1	
10	15830-93J00	UNION, 3 WAY	1	
11	09169-06062	WASHER	4	
12	15770-93J00	COOLER, FUEL	1	
13	15762-90J00	GASKET, FUEL COOLER UNION	3	
14	09360-12013	UNION	1	
15	15830-90J00	UNION, FUEL COOLER	1	
16	15600-93J11	SEPARATOR ASSY, FUEL VAPOR	1	
17	13370-93J10	.VALVE ASSY, NEEDLE	1	
18	15626-93J10	.GASKET, SEPARATOR	1	
19	15650-93J00	.FLOAT ASSY	1	
20	15200-93J11	.PUMP ASSY, FUEL (H)	1	
21	15647-93J10	.BUSH, FUEL PUMP	1	
22	15641-90J10	.SPACER, FUEL PUMP	1	
23	15642-90J00	.FILTER, FUEL PUMP	1	
24	15654-99E00	.PIN, FLOAT	1	
25	13614-93J00	.SCREW	1	
26	15631-99E10	.SCREW, REGULATOR	1	
27	15760-93J00	.REGULATOR, FUEL PRESSURE	1	
28	15628-99E00	.SCREW	6	
29	15627-93J00	.SCREW	1	
30	09320-12072	CUSHION	3	
31	15675-93J00	BOLT, COOLER BRACKET	3	
32	09343-75001-600	HOSE (7.5X13.5X600)	1	L:600->50
33	09401-11414	CLIP (ID:11.5)	14	

FIG.147F



DF250_E01_016_147F
 FUEL PUMP/FUEL VAPOR SEPARATOR

FIG.147F (1-G-15) FUEL PUMP/FUEL VAPOR SEPARATOR (DF225T E40)

REF NO.	PART NO.	DESCRIPTION	Q'TY	REMARKS
34	15636-98J20	HOSE, FUEL (L)	1	
35	15686-93J00	CLIP (ID:11.5)	1	
36	15685-93J00	CLIP	3	
37	15672-93J00	BRACKET, FUEL COOLER	1	
38	01500-06167	BOLT	4	
39	15635-93J20	HOSE, FUEL (H)	1	
40	15632-93J20	HOSE, FUEL (H)	1	
41	15673-98J00	BRACKET, FUEL FILTER	1	
42	01550-06257	BOLT	2	
43	15643-93J00	FILTER, FUEL (L)	1	
44	09343-75001-600	HOSE (7.5X13.5X600)	1	L:600->65
45	15634-93J20	HOSE, FUEL (H)	1	
46	01570-06357	BOLT	2	
47	15674-93J00	BRACKET, CHECK VALVE	1	
48	15645-93J10	VALVE, CHECK	1	
49	15637-93J20	HOSE, FUEL (L)	1	
50	15629-99E10	SCREW, DRAIN	2	
51	15683-87J00	HOSE, DRAIN	1	
52	02112-0406B	SCREW	3	
53	15644-93J00	COVER, FUEL FILTER	3	
54	15633-93J20	HOSE, FUEL (H)	1	
55	15646-93J00	CLAMP, FUEL FILTER	1	
56	09343-75001-600	HOSE (7.5X13.5X600)	1	L:600->65
57	09160-06084	WASHER (6.5X18X1.6)	2	
58	09169-06062	WASHER	2	
59	01500-06257	BOLT	2	
60	15671-93J00	BRACKET, VAPOR SEPARATOR	1	
61	01550-06357	BOLT	2	
62	09169-08042	WASHER	6	
63	01550-08407	BOLT	3	
64	18417-93J00	BRACKET, PURGE VALVE	1	
65	01550-06127	BOLT	2	

DF250_E01_016

FIG.147F

FIG.147F (1-H-2) FUEL PUMP/FUEL VAPOR SEPARATOR (DF225T E40)

REF NO.	PART NO.	DESCRIPTION	Q'TY	REMARKS
66	09352-50823-00B	HOSE (5X8.2X2000)	1	L:2000->1230
67	09401-08412	CLIP	1	
68	18498-93J10	PROTECTOR, EVAP HOSE (L:1130)	1	
69	09320-08086	CUSHION	1	
70	09403-14304	CLAMP	1	
71	09408-00043	CLAMP	1	

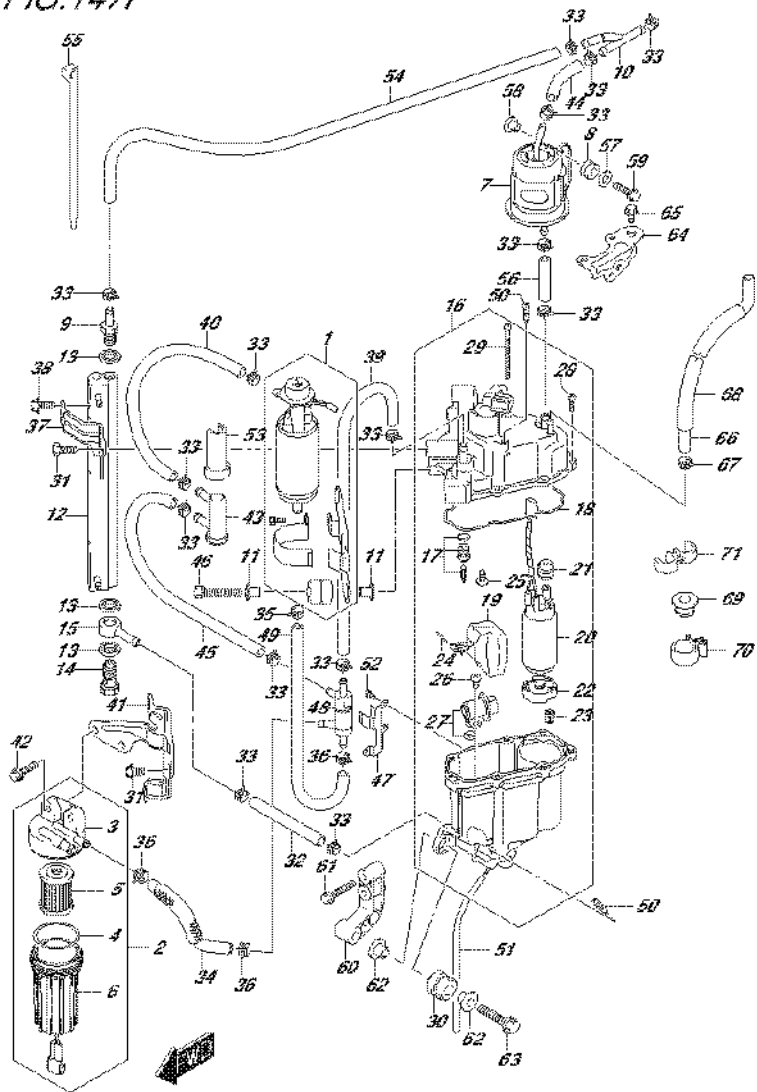
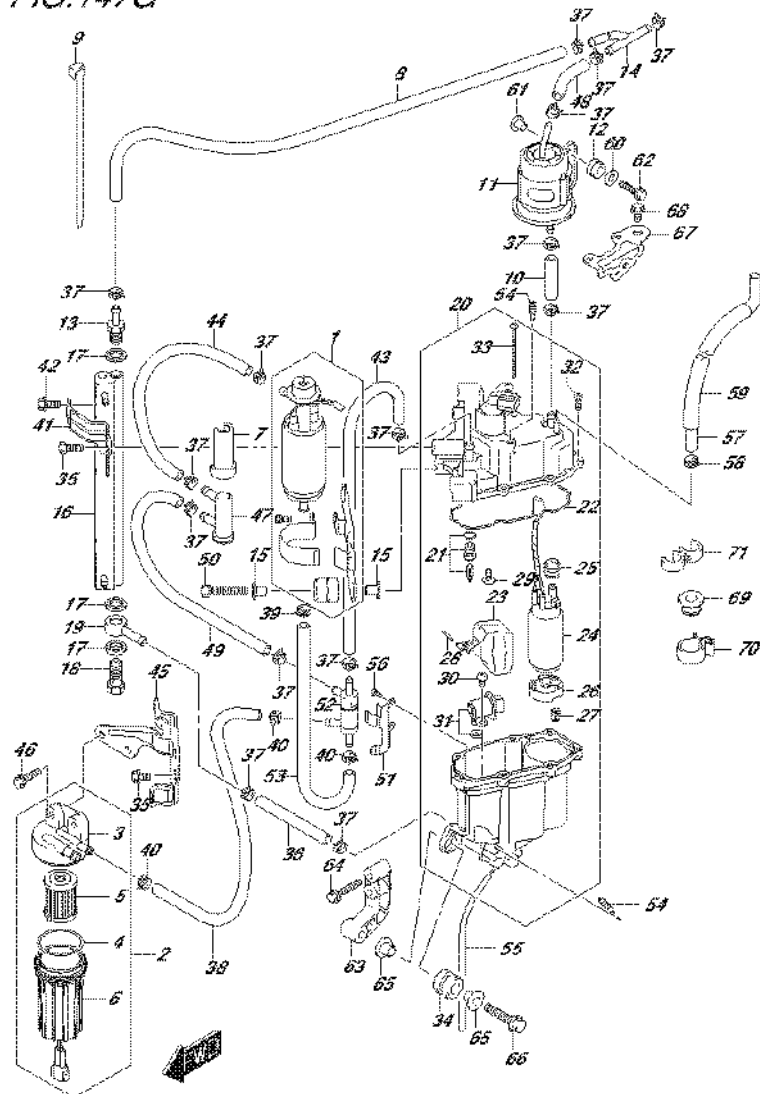


FIG.147G

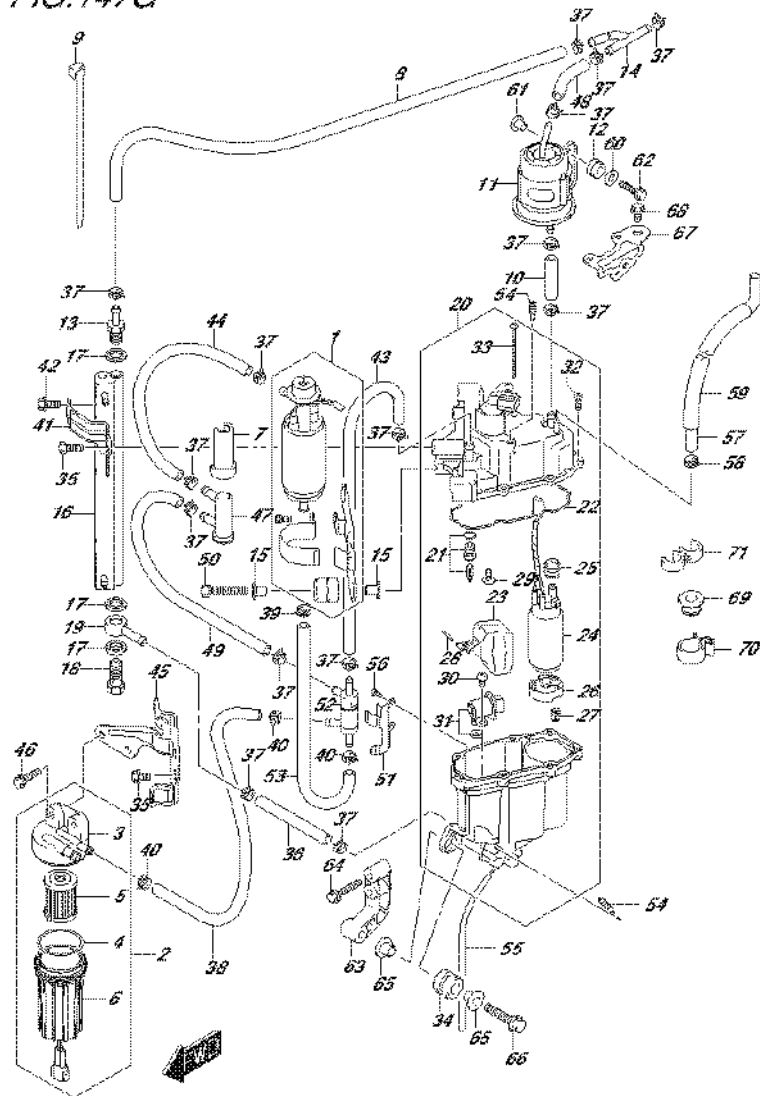


DF250_E01_016_147G
FUEL PUMP/FUEL VAPOR SEPARATOR

FIG.147G (1-H-3) FUEL PUMP/FUEL VAPOR SEPARATOR (DF225Z E01)

REF NO.	PART NO.	DESCRIPTION	Q'TY	REMARKS
1	15100-94900	PUMP ASSY, FUEL (L)	1	
2	15410-93J10	FILTER, FUEL (L)	1	
3	15411-93J10	.CAP, FUEL FILTER	1	
4	15415-93J10	.SEAL, FUEL FILTER NO.1	1	
5	15412-93J10	.FILTER ASSY, FUEL	1	
6	15413-93J10	.CASE ASSY, FUEL FILTER	1	
7	15644-93J00	COVER, FUEL FILTER	3	
8	15633-93J20	HOSE, FUEL (H)	1	
9	15646-93J00	CLAMP, FUEL FILTER	1	
10	09343-75001-600	HOSE (7.5X13.5X600)	1	L:600->65
11	15440-93J00	FILTER, FUEL (EPI)	1	
12	09320-08501	CUSHION	2	
13	15773-90J00	UNION, FUEL HOSE (H)	1	
14	15830-93J00	UNION, 3 WAY	1	
15	09169-06062	WASHER	4	
16	15770-93J00	COOLER, FUEL	1	
17	09168-12013	GASKET (11.8X22X1.2)	3	
18	09360-12008	UNION	1	
19	09363-08004	UNION	1	
20	15600-93J01	SEPARATOR ASSY, FUEL VAPOR	1	
21	13370-93J00	.VALVE ASSY, NEEDLE	1	
22	15626-93J00	.GASKET, SEPARATOR	1	
23	15650-93J00	.FLOAT ASSY	1	
24	15200-93J01	.PUMP ASSY, FUEL (H)	1	
25	15647-93J00	.BUSH, FUEL PUMP	1	
26	15641-90J00	.SPACER, FUEL PUMP	1	
27	15642-90J00	.FILTER, FUEL PUMP	1	
28	15654-99E00	.PIN, FLOAT	1	
29	02142-0408B	.SCREW	1	
30	02112-05107	.SCREW	1	
31	15760-93J00	.REGULATOR, FUEL PRESSURE	1	
32	15628-99E00	.SCREW	6	
33	15627-93J00	.SCREW	1	

FIG.147G



DF250_E01_016_147G
FUEL PUMP/FUEL VAPOR SEPARATOR

FIG.147G (1-H-4) FUEL PUMP/FUEL VAPOR SEPARATOR (DF225Z E01)

REF NO.	PART NO.	DESCRIPTION	Q'TY	REMARKS
34	09320-12072	CUSHION	3	
35	15675-93J00	BOLT, COOLER BRACKET	3	
36	09343-75001-600	HOSE (7.5X13.5X600)	1	L:600->50
37	09401-11414	CLIP (ID:11.5)	14	
38	15636-98J20	HOSE, FUEL (L)	1	
39	15686-93J00	CLIP	1	
40	15685-93J00	CLIP	3	
41	15672-93J00	BRACKET, FUEL COOLER	1	
42	01500-06167	BOLT	4	
43	15635-93J20	HOSE, FUEL (H)	1	
44	15632-93J20	HOSE, FUEL (H)	1	
45	15673-98J00	BRACKET, FUEL FILTER	1	
46	01550-06257	BOLT	2	
47	15643-93J00	FILTER, FUEL (L)	1	
48	09343-75001-600	HOSE (7.5X13.5X600)	1	L:600->65
49	15634-93J20	HOSE, FUEL (H)	1	
50	01570-06357	BOLT	2	
51	15674-93J00	BRACKET, CHECK VALVE	1	
52	15645-93J00	VALVE, CHECK	1	
53	15637-93J20	HOSE, FUEL (L)	1	
54	15629-99E10	SCREW, DRAIN	2	
55	15683-87J00	HOSE, DRAIN	1	
56	02112-0406B	SCREW	3	
57	09352-50823-00B	HOSE (5X8.2X2000)	1	L:2000->1230
58	09401-08412	CLIP	1	
59	18498-93J10	PROTECTOR, EVAP HOSE (L:1130)	1	
60	09160-06084	WASHER (6.5X18X1.6)	2	
61	09169-06062	WASHER	2	
62	01500-06257	BOLT	2	
63	15671-93J00	BRACKET, VAPOR SEPARATOR	1	
64	01550-06357	BOLT	2	
65	09169-08042	WASHER	6	
66	01550-08407	BOLT	3	

DF250_E01_016

FIG.147G

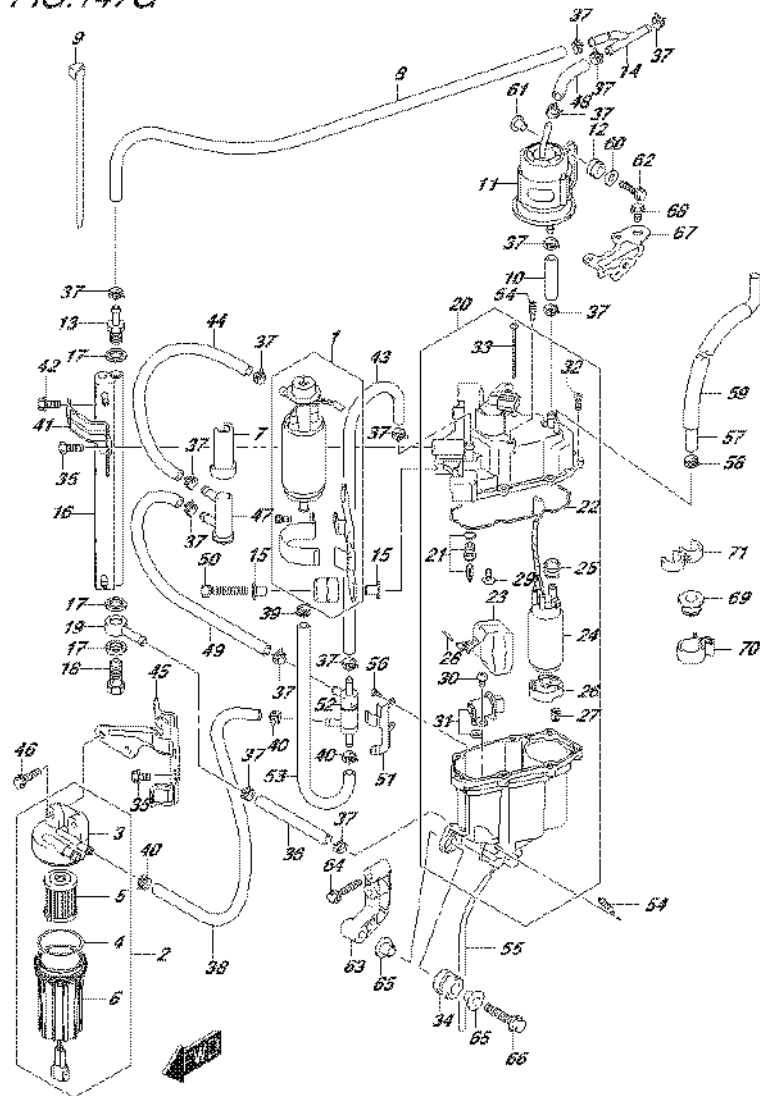
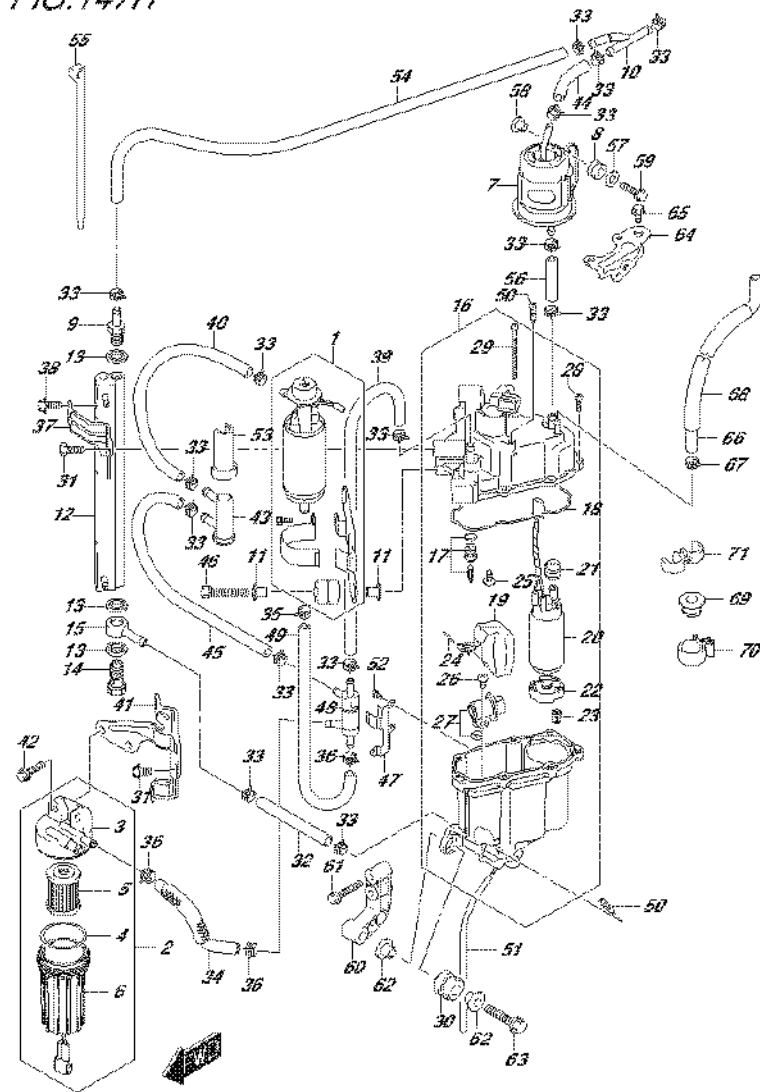


FIG.147G (1-H-5) FUEL PUMP/FUEL VAPOR SEPARATOR (DF225Z E01)

REF NO.	PART NO.	DESCRIPTION	Q'TY	REMARKS
67	18417-93J00	BRACKET, PURGE VALVE	1	
68	01550-06127	BOLT	2	
69	09320-08086	CUSHION	1	
70	09403-14304	CLAMP	1	
71	09408-00043	CLAMP	1	

FIG.147H



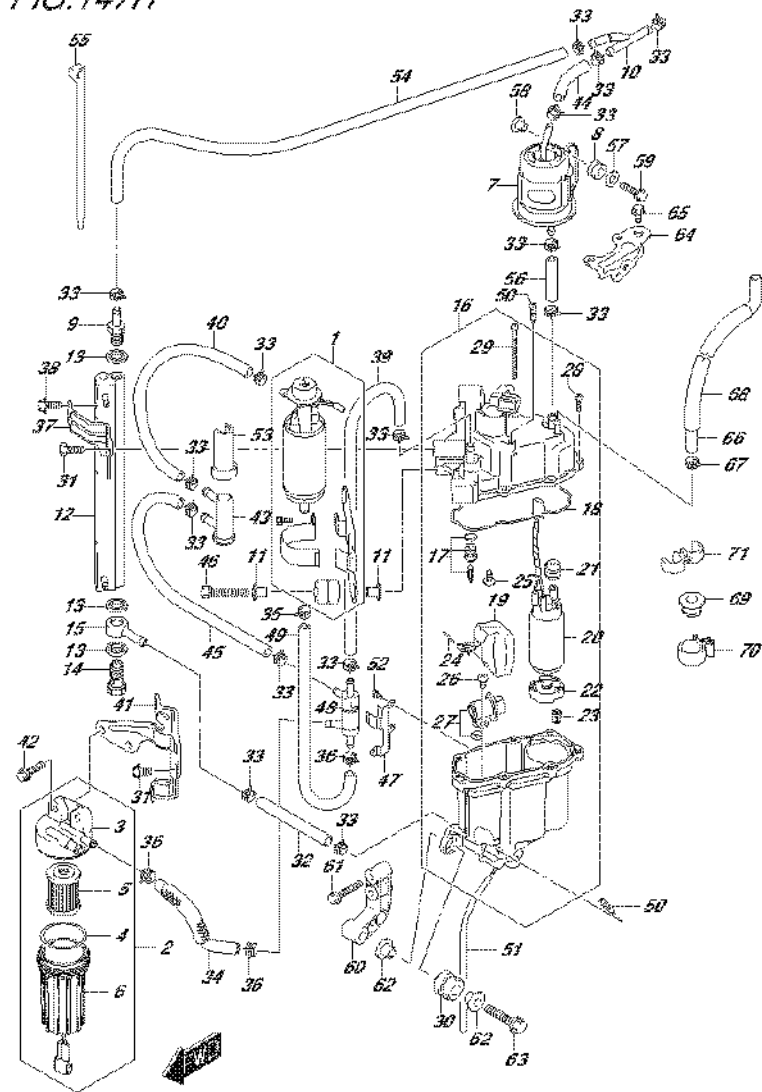
DF250_E01_016_147H
FUEL PUMP/FUEL VAPOR SEPARATOR

FIG.147H (1-H-6) FUEL PUMP/FUEL VAPOR SEPARATOR (DF225Z E40)

REF NO.	PART NO.	DESCRIPTION	Q'TY	REMARKS
1	15100-94900	PUMP ASSY, FUEL (L)	1	
2	15410-93J10	FILTER, FUEL (L)	1	
3	15411-93J10	.CAP, FUEL FILTER	1	
4	15415-93J10	.SEAL, FUEL FILTER NO.1	1	
5	15412-93J10	.FILTER ASSY, FUEL	1	
6	15413-93J10	.CASE ASSY, FUEL FILTER	1	
7	15440-93J10	FILTER, FUEL (EPI)	1	
8	09320-08501	CUSHION	2	
9	15773-90J00	UNION, FUEL HOSE (H)	1	
10	15830-93J00	UNION, 3 WAY	1	
11	09169-06062	WASHER	4	
12	15770-93J00	COOLER, FUEL	1	
13	15762-90J00	GASKET, FUEL COOLER UNION	3	
14	09360-12013	UNION	1	
15	15830-90J00	UNION, FUEL COOLER	1	
16	15600-93J11	SEPARATOR ASSY, FUEL VAPOR	1	
17	13370-93J10	.VALVE ASSY, NEEDLE	1	
18	15626-93J10	.GASKET, SEPARATOR	1	
19	15650-93J00	.FLOAT ASSY	1	
20	15200-93J11	.PUMP ASSY, FUEL (H)	1	
21	15647-93J10	.BUSH, FUEL PUMP	1	
22	15641-90J10	.SPACER, FUEL PUMP	1	
23	15642-90J00	.FILTER, FUEL PUMP	1	
24	15654-99E00	.PIN, FLOAT	1	
25	13614-93J00	.SCREW	1	
26	15631-99E10	.SCREW, REGULATOR	1	
27	15760-93J00	.REGULATOR, FUEL PRESSURE	1	
28	15628-99E00	.SCREW	6	
29	15627-93J00	.SCREW	1	
30	09320-12072	CUSHION	3	
31	15675-93J00	BOLT, COOLER BRACKET	3	
32	09343-75001-600	HOSE (7.5X13.5X600)	1	L:600->50
33	09401-11414	CLIP (ID:11.5)	14	

FIG.147H

FIG.147H (1-H-7) FUEL PUMP/FUEL VAPOR SEPARATOR (DF225Z E40)



REF NO.	PART NO.	DESCRIPTION	Q'TY	REMARKS
34	15636-98J20	HOSE, FUEL (L)	1	
35	15686-93J00	CLIP (ID:11.5)	1	
36	15685-93J00	CLIP	3	
37	15672-93J00	BRACKET, FUEL COOLER	1	
38	01500-06167	BOLT	4	
39	15635-93J20	HOSE, FUEL (H)	1	
40	15632-93J20	HOSE, FUEL (H)	1	
41	15673-98J00	BRACKET, FUEL FILTER	1	
42	01550-06257	BOLT	2	
43	15643-93J00	FILTER, FUEL (L)	1	
44	09343-75001-600	HOSE (7.5X13.5X600)	1	L:600->65
45	15634-93J20	HOSE, FUEL (H)	1	
46	01570-06357	BOLT	2	
47	15674-93J00	BRACKET, CHECK VALVE	1	
48	15645-93J10	VALVE, CHECK	1	
49	15637-93J20	HOSE, FUEL (L)	1	
50	15629-99E10	SCREW, DRAIN	2	
51	15683-87J00	HOSE, DRAIN	1	
52	02112-0406B	SCREW	3	
53	15644-93J00	COVER, FUEL FILTER	3	
54	15633-93J20	HOSE, FUEL (H)	1	
55	15646-93J00	CLAMP, FUEL FILTER	1	
56	09343-75001-600	HOSE (7.5X13.5X600)	1	L:600->65
57	09160-06084	WASHER (6.5X18X1.6)	2	
58	09169-06062	WASHER	2	
59	01500-06257	BOLT	2	
60	15671-93J00	BRACKET, VAPOR SEPARATOR	1	
61	01550-06357	BOLT	2	
62	09169-08042	WASHER	6	
63	01550-08407	BOLT	3	
64	18417-93J00	BRACKET, PURGE VALVE	1	
65	01550-06127	BOLT	2	

FIG.147H

FIG.147H (1-H-8) FUEL PUMP/FUEL VAPOR SEPARATOR (DF225Z E40)

REF NO.	PART NO.	DESCRIPTION	Q'TY	REMARKS
66	09352-50823-00B	HOSE (5X8.2X2000)	1	L:2000->1230
67	09401-08412	CLIP	1	
68	18498-93J10	PROTECTOR, EVAP HOSE (L:1130)	1	
69	09320-08086	CUSHION	1	
70	09403-14304	CLAMP	1	
71	09408-00043	CLAMP	1	

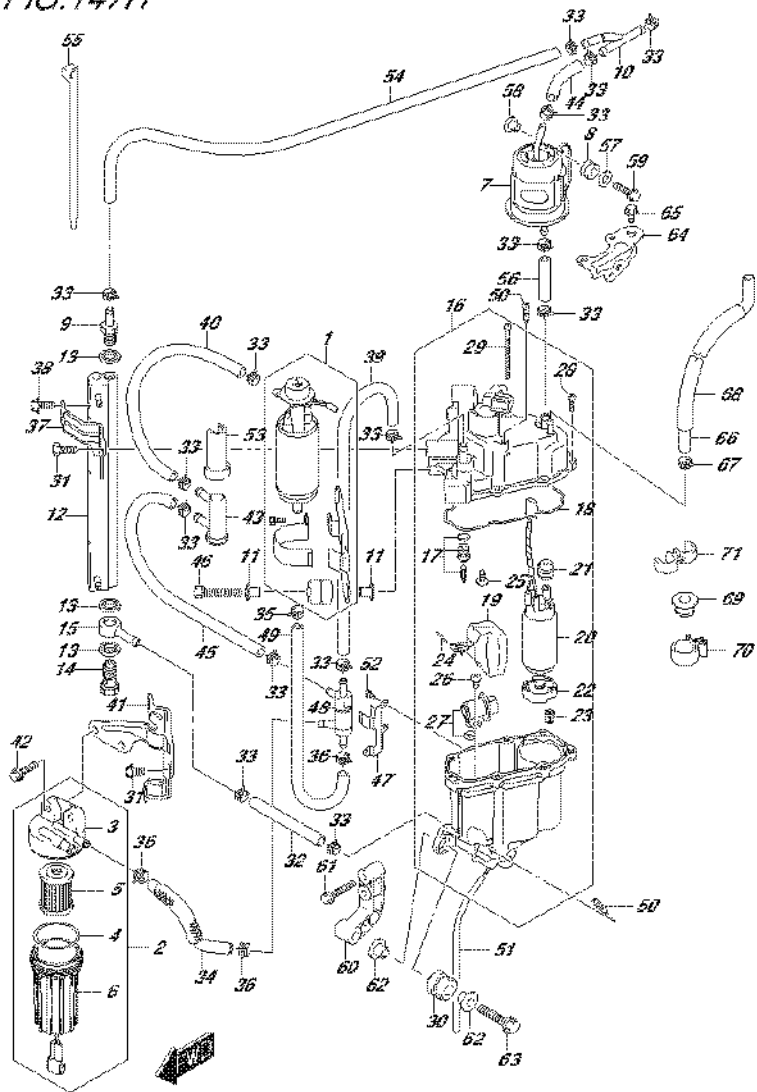


FIG.147J

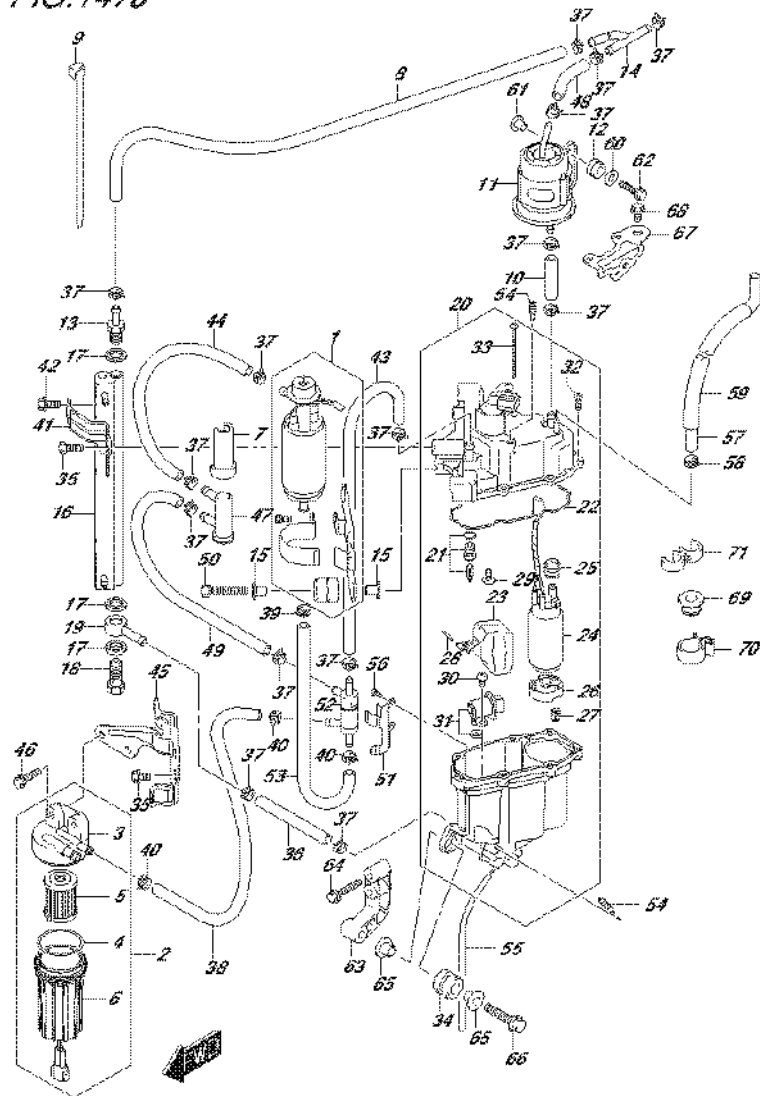
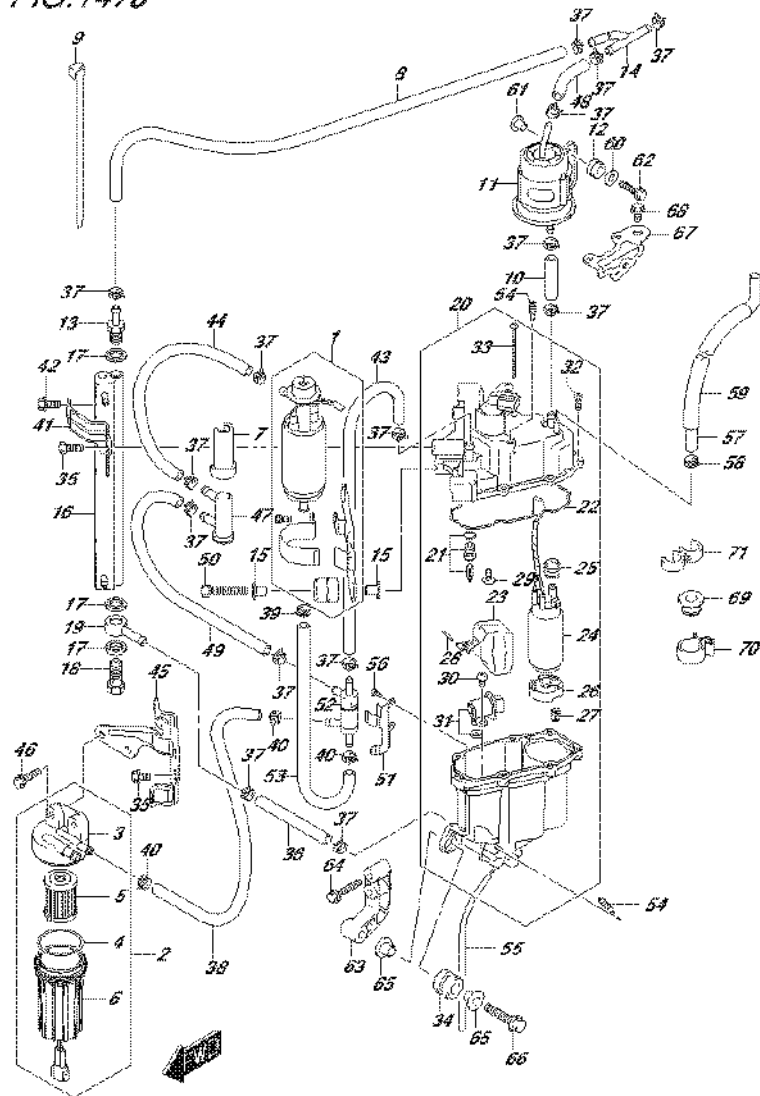


FIG.147J (1-H-9) FUEL PUMP/FUEL VAPOR SEPARATOR (DF250T E01)

REF NO.	PART NO.	DESCRIPTION	Q'TY	REMARKS
1	15100-94900	PUMP ASSY, FUEL (L)	1	
2	15410-93J10	FILTER, FUEL (L)	1	
3	15411-93J10	.CAP, FUEL FILTER	1	
4	15415-93J10	.SEAL, FUEL FILTER NO.1	1	
5	15412-93J10	.FILTER ASSY, FUEL	1	
6	15413-93J10	.CASE ASSY, FUEL FILTER	1	
7	15644-93J00	COVER, FUEL FILTER	3	
8	15633-93J20	HOSE, FUEL (H)	1	
9	15646-93J00	CLAMP, FUEL FILTER	1	
10	09343-75001-600	HOSE (7.5X13.5X600)	1	L:600->65
11	15440-93J00	FILTER, FUEL (EPI)	1	
12	09320-08501	CUSHION	2	
13	15773-90J00	UNION, FUEL HOSE (H)	1	
14	15830-93J00	UNION, 3 WAY	1	
15	09169-06062	WASHER	4	
16	15770-93J00	COOLER, FUEL	1	
17	09168-12013	GASKET (11.8X22X1.2)	3	
18	09360-12008	UNION	1	
19	09363-08004	UNION	1	
20	15600-93J01	SEPARATOR ASSY, FUEL VAPOR	1	
21	13370-93J00	.VALVE ASSY, NEEDLE	1	
22	15626-93J00	.GASKET, SEPARATOR	1	
23	15650-93J00	.FLOAT ASSY	1	
24	15200-93J01	.PUMP ASSY, FUEL (H)	1	
25	15647-93J00	.BUSH, FUEL PUMP	1	
26	15641-90J00	.SPACER, FUEL PUMP	1	
27	15642-90J00	.FILTER, FUEL PUMP	1	
28	15654-99E00	.PIN, FLOAT	1	
29	02142-0408B	.SCREW	1	
30	02112-05107	.SCREW	1	
31	15760-93J00	.REGULATOR, FUEL PRESSURE	1	
32	15628-99E00	.SCREW	6	
33	15627-93J00	.SCREW	1	

FIG.147J



DF250_E01_016_147J
 FUEL PUMP/FUEL VAPOR SEPARATOR

FIG.147J (1-H-10) FUEL PUMP/FUEL VAPOR SEPARATOR (DF250T E01)

REF NO.	PART NO.	DESCRIPTION	Q'TY	REMARKS
34	09320-12072	CUSHION	3	
35	15675-93J00	BOLT, COOLER BRACKET	3	
36	09343-75001-600	HOSE (7.5X13.5X600)	1	L:600->50
37	09401-11414	CLIP (ID:11.5)	14	
38	15636-98J20	HOSE, FUEL (L)	1	
39	15686-93J00	CLIP	1	
40	15685-93J00	CLIP	3	
41	15672-93J00	BRACKET, FUEL COOLER	1	
42	01500-06167	BOLT	4	
43	15635-93J20	HOSE, FUEL (H)	1	
44	15632-93J20	HOSE, FUEL (H)	1	
45	15673-98J00	BRACKET, FUEL FILTER	1	
46	01550-06257	BOLT	2	
47	15643-93J00	FILTER, FUEL (L)	1	
48	09343-75001-600	HOSE (7.5X13.5X600)	1	L:600->65
49	15634-93J20	HOSE, FUEL (H)	1	
50	01570-06357	BOLT	2	
51	15674-93J00	BRACKET, CHECK VALVE	1	
52	15645-93J00	VALVE, CHECK	1	
53	15637-93J20	HOSE, FUEL (L)	1	
54	15629-99E10	SCREW, DRAIN	2	
55	15683-87J00	HOSE, DRAIN	1	
56	02112-0406B	SCREW	3	
57	09352-50823-00B	HOSE (5X8.2X2000)	1	L:2000->1230
58	09401-08412	CLIP	1	
59	18498-93J10	PROTECTOR, EVAP HOSE (L:1130)	1	
60	09160-06084	WASHER (6.5X18X1.6)	2	
61	09169-06062	WASHER	2	
62	01500-06257	BOLT	2	
63	15671-93J00	BRACKET, VAPOR SEPARATOR	1	
64	01550-06357	BOLT	2	
65	09169-08042	WASHER	6	
66	01550-08407	BOLT	3	

DF250_E01_016

FIG.147J

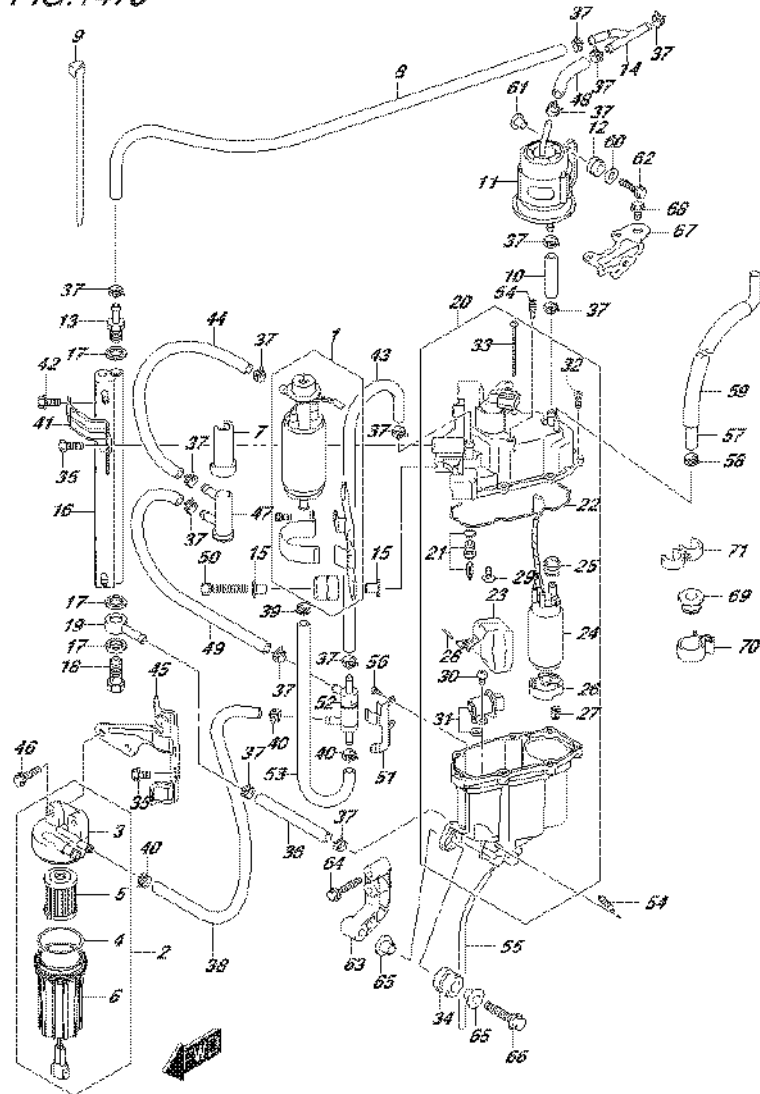
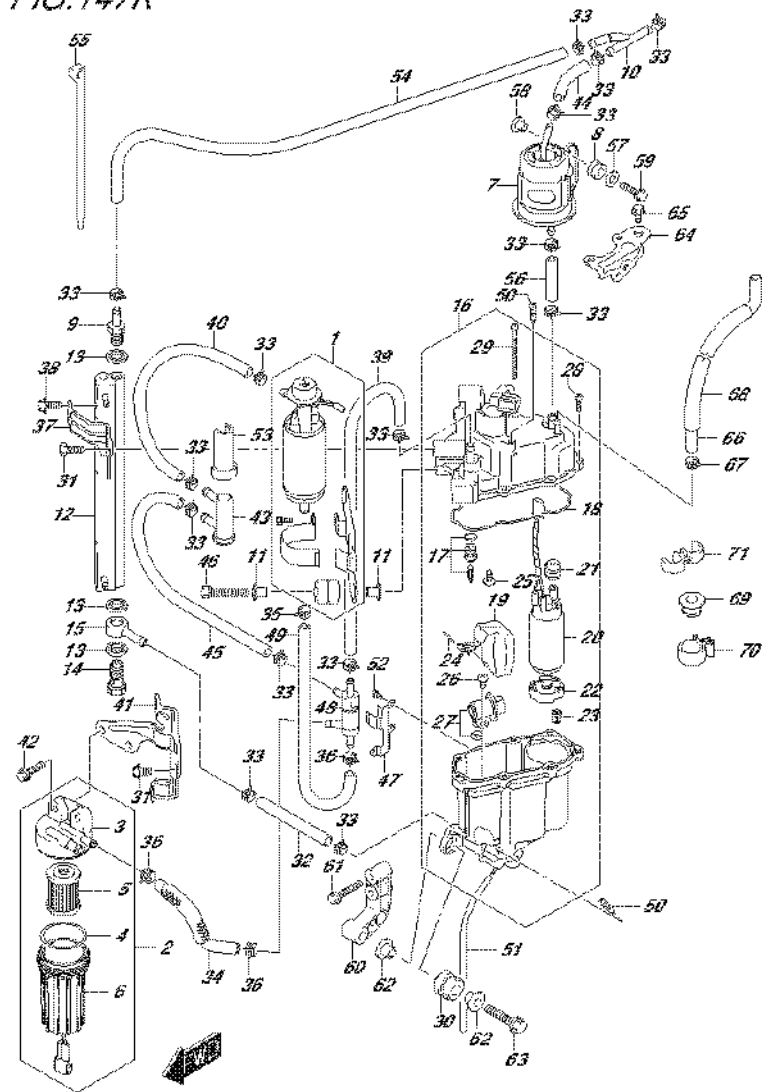


FIG.147J (1-H-11) FUEL PUMP/FUEL VAPOR SEPARATOR (DF250T E01)

REF NO.	PART NO.	DESCRIPTION	Q'TY	REMARKS
67	18417-93J00	BRACKET, PURGE VALVE	1	
68	01550-06127	BOLT	2	
69	09320-08086	CUSHION	1	
70	09403-14304	CLAMP	1	
71	09408-00043	CLAMP	1	

FIG.147K



DF250_E01_016_147K
FUEL PUMP/FUEL VAPOR SEPARATOR

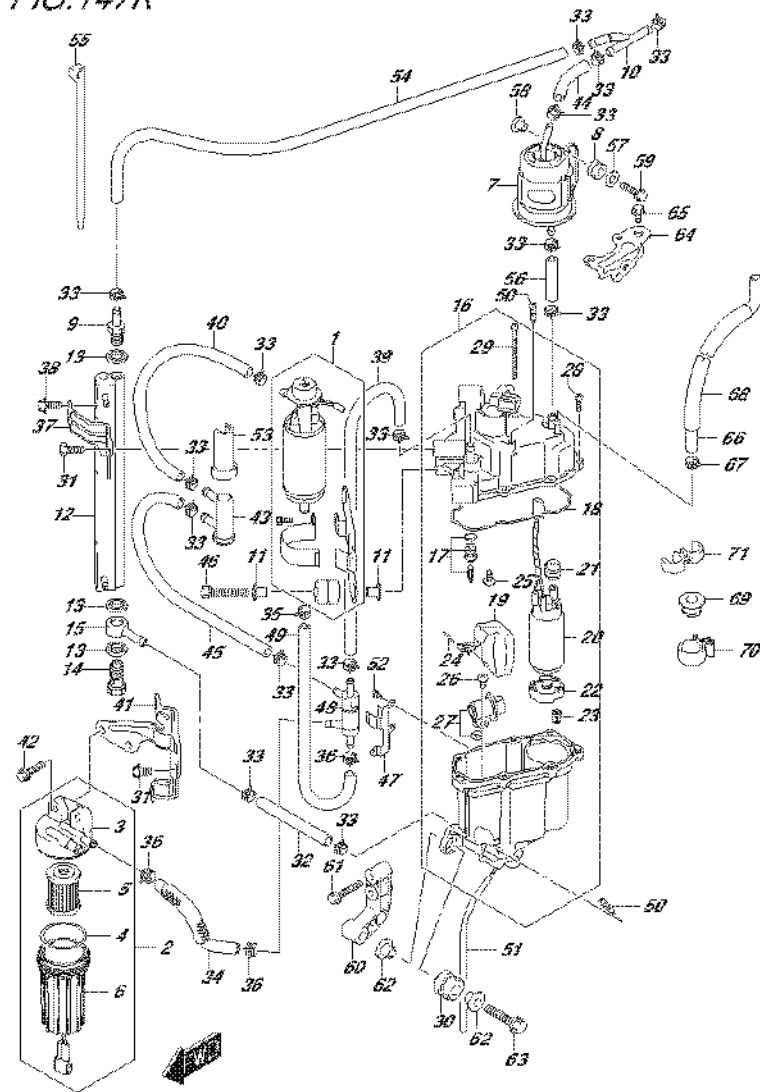
FIG.147K (1-H-12) FUEL PUMP/FUEL VAPOR SEPARATOR (DF250T E40)

REF NO.	PART NO.	DESCRIPTION	Q'TY	REMARKS
1	15100-94900	PUMP ASSY, FUEL (L)	1	
2	15410-93J10	FILTER, FUEL (L)	1	
3	15411-93J10	.CAP, FUEL FILTER	1	
4	15415-93J10	.SEAL, FUEL FILTER NO.1	1	
5	15412-93J10	.FILTER ASSY, FUEL	1	
6	15413-93J10	.CASE ASSY, FUEL FILTER	1	
7	15440-93J10	FILTER, FUEL (EPI)	1	
8	09320-08501	CUSHION	2	
9	15773-90J00	UNION, FUEL HOSE (H)	1	
10	15830-93J00	UNION, 3 WAY	1	
11	09169-06062	WASHER	4	
12	15770-93J00	COOLER, FUEL	1	
13	15762-90J00	GASKET, FUEL COOLER UNION	3	
14	09360-12013	UNION	1	
15	15830-90J00	UNION, FUEL COOLER	1	
16	15600-93J11	SEPARATOR ASSY, FUEL VAPOR	1	
17	13370-93J10	.VALVE ASSY, NEEDLE	1	
18	15626-93J10	.GASKET, SEPARATOR	1	
19	15650-93J00	.FLOAT ASSY	1	
20	15200-93J11	.PUMP ASSY, FUEL (H)	1	
21	15647-93J10	.BUSH, FUEL PUMP	1	
22	15641-90J10	.SPACER, FUEL PUMP	1	
23	15642-90J00	.FILTER, FUEL PUMP	1	
24	15654-99E00	.PIN, FLOAT	1	
25	13614-93J00	.SCREW	1	
26	15631-99E10	.SCREW, REGULATOR	1	
27	15760-93J00	.REGULATOR, FUEL PRESSURE	1	
28	15628-99E00	.SCREW	6	
29	15627-93J00	.SCREW	1	
30	09320-12072	CUSHION	3	
31	15675-93J00	BOLT, COOLER BRACKET	3	
32	09343-75001-600	HOSE (7.5X13.5X600)	1	L:600->50
33	09401-11414	CLIP (ID:11.5)	14	

DF250_E01_016

FIG.147K

FIG.147K (1-H-13) FUEL PUMP/FUEL VAPOR SEPARATOR (DF250T E40)



REF NO.	PART NO.	DESCRIPTION	Q'TY	REMARKS
34	15636-98J20	HOSE, FUEL (L)	1	
35	15686-93J00	CLIP (ID:11.5)	1	
36	15685-93J00	CLIP	3	
37	15672-93J00	BRACKET, FUEL COOLER	1	
38	01500-06167	BOLT	4	
39	15635-93J20	HOSE, FUEL (H)	1	
40	15632-93J20	HOSE, FUEL (H)	1	
41	15673-98J00	BRACKET, FUEL FILTER	1	
42	01550-06257	BOLT	2	
43	15643-93J00	FILTER, FUEL (L)	1	
44	09343-75001-600	HOSE (7.5X13.5X600)	1	L:600->65
45	15634-93J20	HOSE, FUEL (H)	1	
46	01570-06357	BOLT	2	
47	15674-93J00	BRACKET, CHECK VALVE	1	
48	15645-93J10	VALVE, CHECK	1	
49	15637-93J20	HOSE, FUEL (L)	1	
50	15629-99E10	SCREW, DRAIN	2	
51	15683-87J00	HOSE, DRAIN	1	
52	02112-0406B	SCREW	3	
53	15644-93J00	COVER, FUEL FILTER	3	
54	15633-93J20	HOSE, FUEL (H)	1	
55	15646-93J00	CLAMP, FUEL FILTER	1	
56	09343-75001-600	HOSE (7.5X13.5X600)	1	L:600->65
57	09160-06084	WASHER (6.5X18X1.6)	2	
58	09169-06062	WASHER	2	
59	01500-06257	BOLT	2	
60	15671-93J00	BRACKET, VAPOR SEPARATOR	1	
61	01550-06357	BOLT	2	
62	09169-08042	WASHER	6	
63	01550-08407	BOLT	3	
64	18417-93J00	BRACKET, PURGE VALVE	1	
65	01550-06127	BOLT	2	

FIG.147K

FIG.147K (1-H-14) FUEL PUMP/FUEL VAPOR SEPARATOR (DF250T E40)

REF NO.	PART NO.	DESCRIPTION	Q'TY	REMARKS
66	09352-50823-00B	HOSE (5X8.2X2000)	1	L:2000->1230
67	09401-08412	CLIP	1	
68	18498-93J10	PROTECTOR, EVAP HOSE (L:1130)	1	
69	09320-08086	CUSHION	1	
70	09403-14304	CLAMP	1	
71	09408-00043	CLAMP	1	

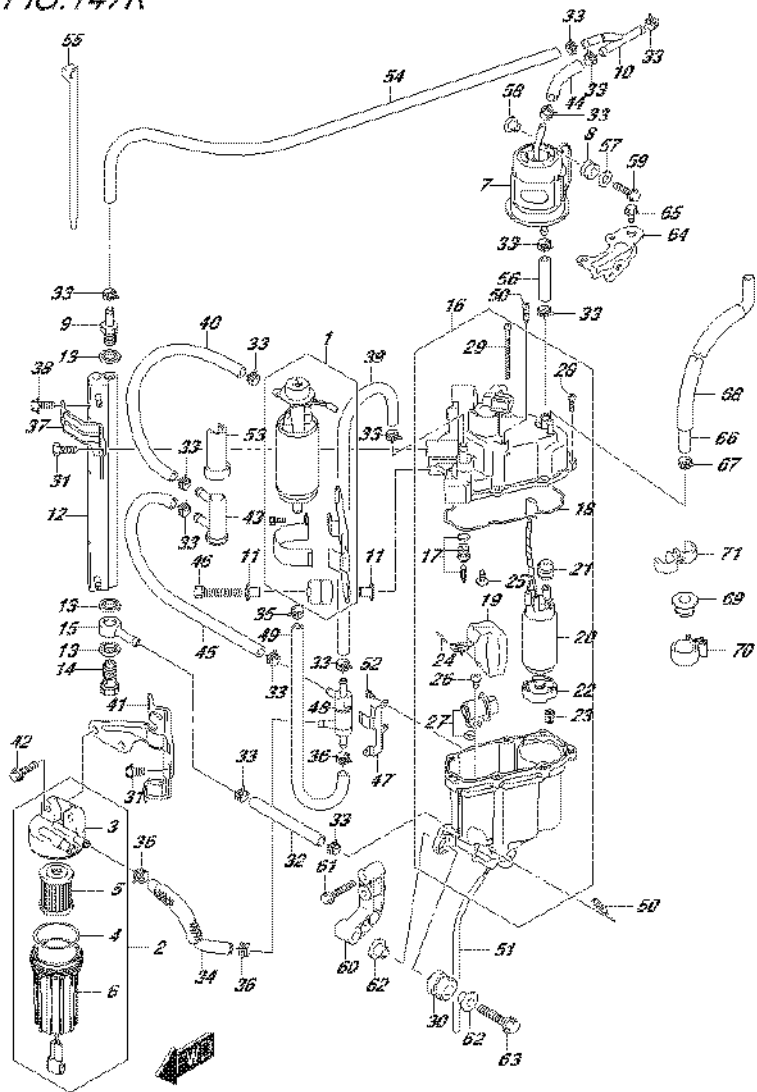
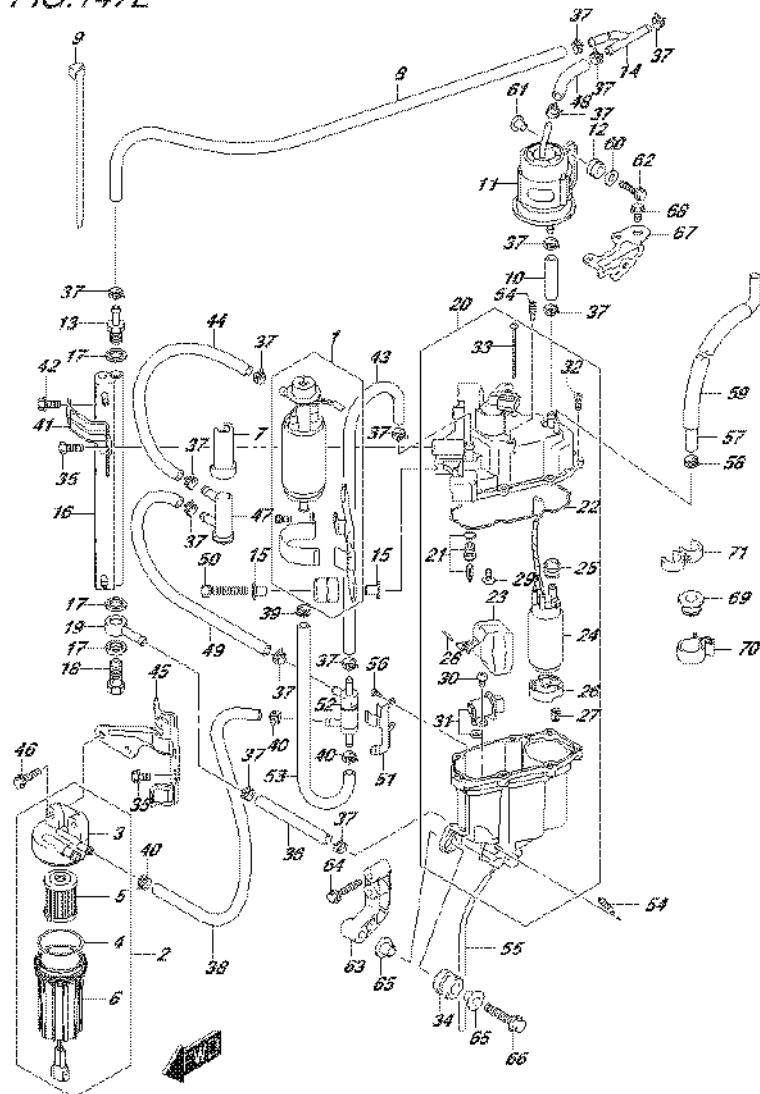


FIG.147L



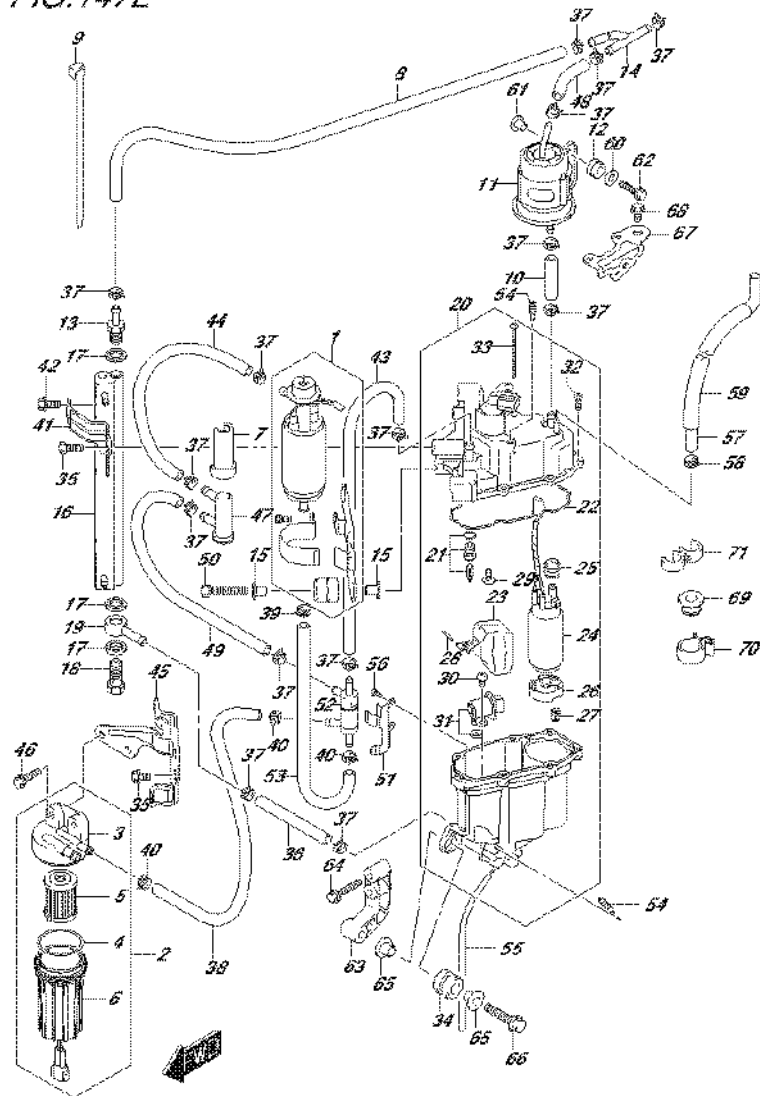
DF250_E01_016_147L
FUEL PUMP/FUEL VAPOR SEPARATOR

FIG.147L (1-H-15) FUEL PUMP/FUEL VAPOR SEPARATOR (DF250Z E01)

REF NO.	PART NO.	DESCRIPTION	Q'TY	REMARKS
1	15100-94900	PUMP ASSY, FUEL (L)	1	
2	15410-93J10	FILTER, FUEL (L)	1	
3	15411-93J10	.CAP, FUEL FILTER	1	
4	15415-93J10	.SEAL, FUEL FILTER NO.1	1	
5	15412-93J10	.FILTER ASSY, FUEL	1	
6	15413-93J10	.CASE ASSY, FUEL FILTER	1	
7	15644-93J00	COVER, FUEL FILTER	3	
8	15633-93J20	HOSE, FUEL (H)	1	
9	15646-93J00	CLAMP, FUEL FILTER	1	
10	09343-75001-600	HOSE (7.5X13.5X600)	1	L:600->65
11	15440-93J00	FILTER, FUEL (EPI)	1	
12	09320-08501	CUSHION	2	
13	15773-90J00	UNION, FUEL HOSE (H)	1	
14	15830-93J00	UNION, 3 WAY	1	
15	09169-06062	WASHER	4	
16	15770-93J00	COOLER, FUEL	1	
17	09168-12013	GASKET (11.8X22X1.2)	3	
18	09360-12008	UNION	1	
19	09363-08004	UNION	1	
20	15600-93J01	SEPARATOR ASSY, FUEL VAPOR	1	
21	13370-93J00	.VALVE ASSY, NEEDLE	1	
22	15626-93J00	.GASKET, SEPARATOR	1	
23	15650-93J00	.FLOAT ASSY	1	
24	15200-93J01	.PUMP ASSY, FUEL (H)	1	
25	15647-93J00	.BUSH, FUEL PUMP	1	
26	15641-90J00	.SPACER, FUEL PUMP	1	
27	15642-90J00	.FILTER, FUEL PUMP	1	
28	15654-99E00	.PIN, FLOAT	1	
29	02142-0408B	.SCREW	1	
30	02112-05107	.SCREW	1	
31	15760-93J00	.REGULATOR, FUEL PRESSURE	1	
32	15628-99E00	.SCREW	6	
33	15627-93J00	.SCREW	1	

DF250_E01_016

FIG.147L



DF250_E01_016_147L
FUEL PUMP/FUEL VAPOR SEPARATOR

FIG.147L (1-1-2) FUEL PUMP/FUEL VAPOR SEPARATOR (DF250Z E01)

REF NO.	PART NO.	DESCRIPTION	Q'TY	REMARKS
34	09320-12072	CUSHION	3	
35	15675-93J00	BOLT, COOLER BRACKET	3	
36	09343-75001-600	HOSE (7.5X13.5X600)	1	L:600->50
37	09401-11414	CLIP (ID:11.5)	14	
38	15636-98J20	HOSE, FUEL (L)	1	
39	15686-93J00	CLIP	1	
40	15685-93J00	CLIP	3	
41	15672-93J00	BRACKET, FUEL COOLER	1	
42	01500-06167	BOLT	4	
43	15635-93J20	HOSE, FUEL (H)	1	
44	15632-93J20	HOSE, FUEL (H)	1	
45	15673-98J00	BRACKET, FUEL FILTER	1	
46	01550-06257	BOLT	2	
47	15643-93J00	FILTER, FUEL (L)	1	
48	09343-75001-600	HOSE (7.5X13.5X600)	1	L:600->65
49	15634-93J20	HOSE, FUEL (H)	1	
50	01570-06357	BOLT	2	
51	15674-93J00	BRACKET, CHECK VALVE	1	
52	15645-93J00	VALVE, CHECK	1	
53	15637-93J20	HOSE, FUEL (L)	1	
54	15629-99E10	SCREW, DRAIN	2	
55	15683-87J00	HOSE, DRAIN	1	
56	02112-0406B	SCREW	3	
57	09352-50823-00B	HOSE (5X8.2X2000)	1	L:2000->1230
58	09401-08412	CLIP	1	
59	18498-93J10	PROTECTOR, EVAP HOSE (L:1130)	1	
60	09160-06084	WASHER (6.5X18X1.6)	2	
61	09169-06062	WASHER	2	
62	01500-06257	BOLT	2	
63	15671-93J00	BRACKET, VAPOR SEPARATOR	1	
64	01550-06357	BOLT	2	
65	09169-08042	WASHER	6	
66	01550-08407	BOLT	3	

DF250_E01_016

FIG. 147L

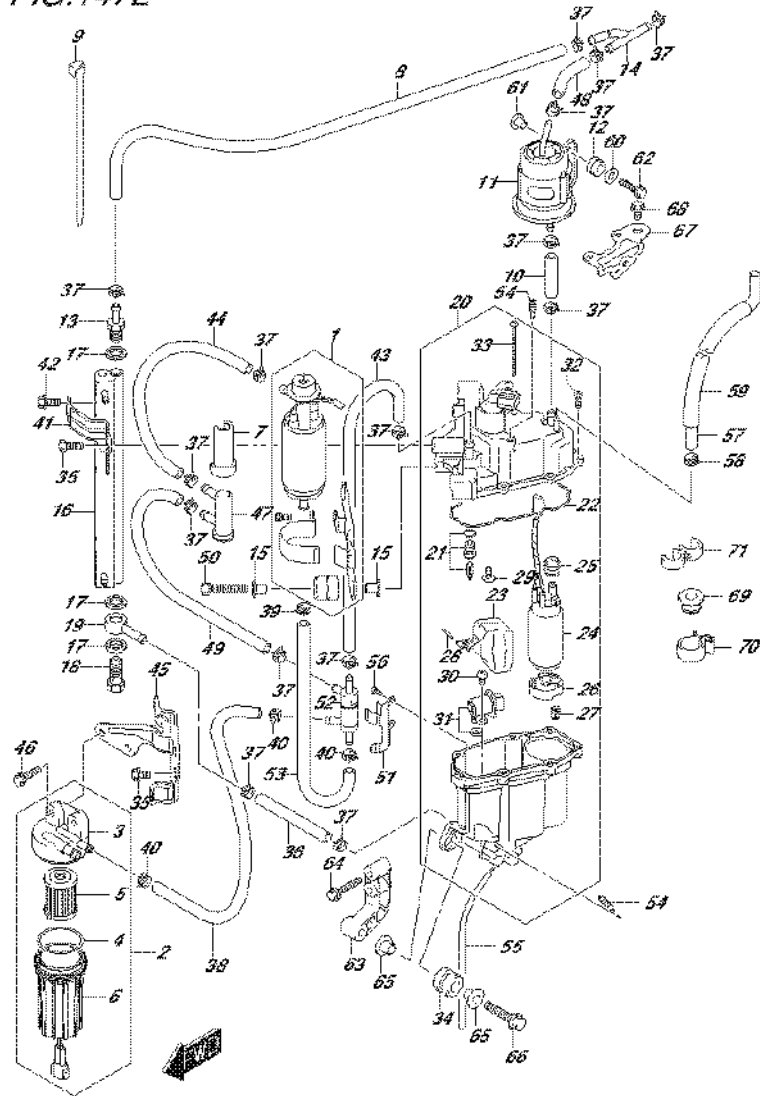


FIG.147L (1-1-3) FUEL PUMP/FUEL VAPOR SEPARATOR (DF250Z E01)

REF NO.	PART NO.	DESCRIPTION	Q'TY	REMARKS
67	18417-93J00	BRACKET, PURGE VALVE	1	
68	01550-06127	BOLT	2	
69	09320-08086	CUSHION	1	
70	09403-14304	CLAMP	1	
71	09408-00043	CLAMP	1	

FIG.147M

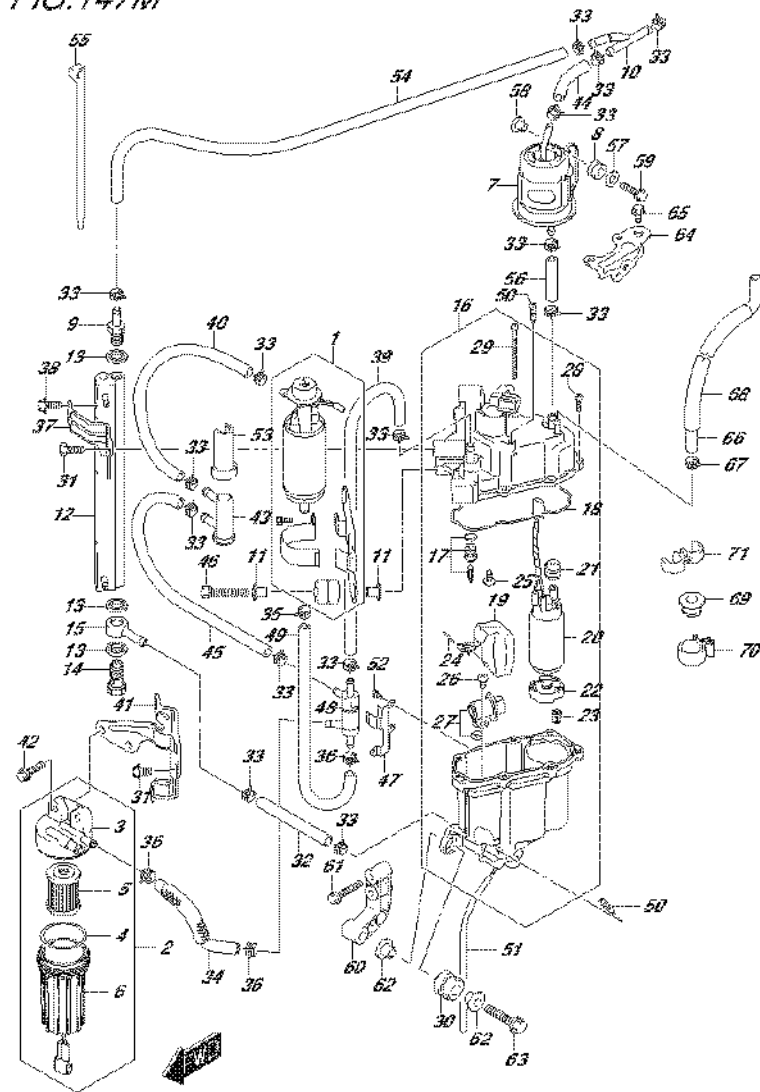
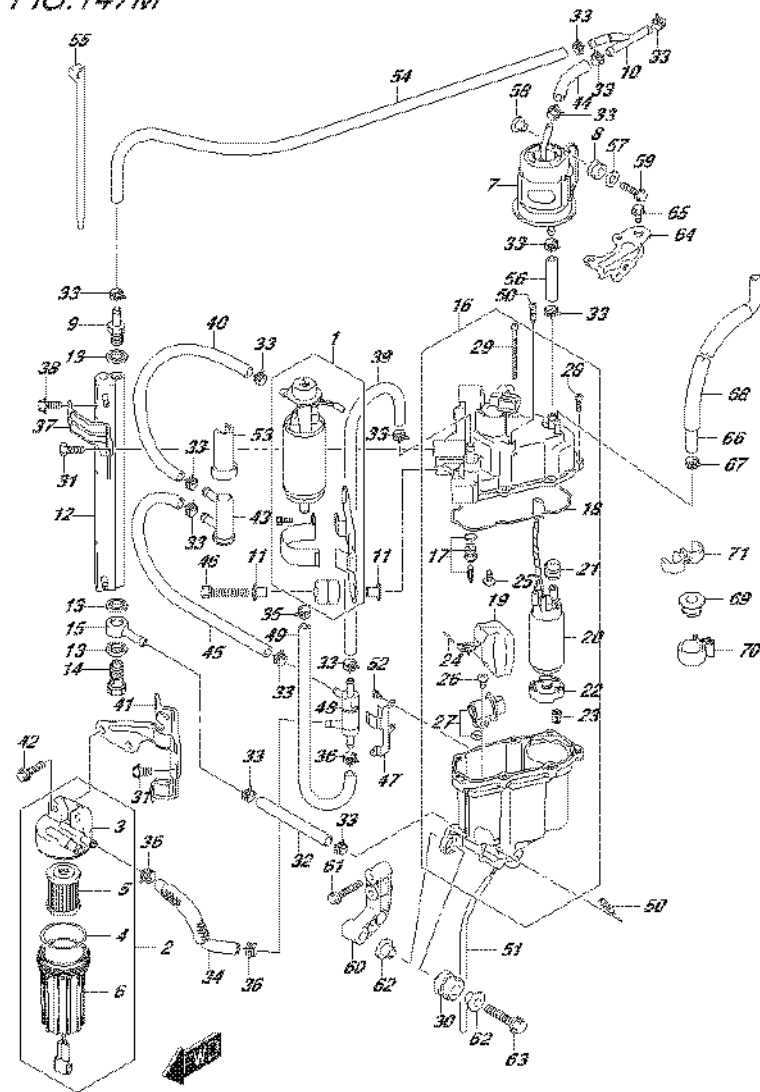


FIG.147M (1-I-4) FUEL PUMP/FUEL VAPOR SEPARATOR (DF250Z E40)

REF NO.	PART NO.	DESCRIPTION	Q'TY	REMARKS
1	15100-94900	PUMP ASSY, FUEL (L)	1	
2	15410-93J10	FILTER, FUEL (L)	1	
3	15411-93J10	.CAP, FUEL FILTER	1	
4	15415-93J10	.SEAL, FUEL FILTER NO.1	1	
5	15412-93J10	.FILTER ASSY, FUEL	1	
6	15413-93J10	.CASE ASSY, FUEL FILTER	1	
7	15440-93J10	FILTER, FUEL (EPI)	1	
8	09320-08501	CUSHION	2	
9	15773-90J00	UNION, FUEL HOSE (H)	1	
10	15830-93J00	UNION, 3 WAY	1	
11	09169-06062	WASHER	4	
12	15770-93J00	COOLER, FUEL	1	
13	15762-90J00	GASKET, FUEL COOLER UNION	3	
14	09360-12013	UNION	1	
15	15830-90J00	UNION, FUEL COOLER	1	
16	15600-93J11	SEPARATOR ASSY, FUEL VAPOR	1	
17	13370-93J10	.VALVE ASSY, NEEDLE	1	
18	15626-93J10	.GASKET, SEPARATOR	1	
19	15650-93J00	.FLOAT ASSY	1	
20	15200-93J11	.PUMP ASSY, FUEL (H)	1	
21	15647-93J10	.BUSH, FUEL PUMP	1	
22	15641-90J10	.SPACER, FUEL PUMP	1	
23	15642-90J00	.FILTER, FUEL PUMP	1	
24	15654-99E00	.PIN, FLOAT	1	
25	13614-93J00	.SCREW	1	
26	15631-99E10	.SCREW, REGULATOR	1	
27	15760-93J00	.REGULATOR, FUEL PRESSURE	1	
28	15628-99E00	.SCREW	6	
29	15627-93J00	.SCREW	1	
30	09320-12072	CUSHION	3	
31	15675-93J00	BOLT, COOLER BRACKET	3	
32	09343-75001-600	HOSE (7.5X13.5X600)	1	L:600->50
33	09401-11414	CLIP (ID:11.5)	14	

FIG.147M



DF250_E01_016_147M
 FUEL PUMP/FUEL VAPOR SEPARATOR

FIG.147M (1-I-5) FUEL PUMP/FUEL VAPOR SEPARATOR (DF250Z E40)

REF NO.	PART NO.	DESCRIPTION	Q'TY	REMARKS
34	15636-98J20	HOSE, FUEL (L)	1	
35	15686-93J00	CLIP (ID:11.5)	1	
36	15685-93J00	CLIP	3	
37	15672-93J00	BRACKET, FUEL COOLER	1	
38	01500-06167	BOLT	4	
39	15635-93J20	HOSE, FUEL (H)	1	
40	15632-93J20	HOSE, FUEL (H)	1	
41	15673-98J00	BRACKET, FUEL FILTER	1	
42	01550-06257	BOLT	2	
43	15643-93J00	FILTER, FUEL (L)	1	
44	09343-75001-600	HOSE (7.5X13.5X600)	1	L:600->65
45	15634-93J20	HOSE, FUEL (H)	1	
46	01570-06357	BOLT	2	
47	15674-93J00	BRACKET, CHECK VALVE	1	
48	15645-93J10	VALVE, CHECK	1	
49	15637-93J20	HOSE, FUEL (L)	1	
50	15629-99E10	SCREW, DRAIN	2	
51	15683-87J00	HOSE, DRAIN	1	
52	02112-0406B	SCREW	3	
53	15644-93J00	COVER, FUEL FILTER	3	
54	15633-93J20	HOSE, FUEL (H)	1	
55	15646-93J00	CLAMP, FUEL FILTER	1	
56	09343-75001-600	HOSE (7.5X13.5X600)	1	L:600->65
57	09160-06084	WASHER (6.5X18X1.6)	2	
58	09169-06062	WASHER	2	
59	01500-06257	BOLT	2	
60	15671-93J00	BRACKET, VAPOR SEPARATOR	1	
61	01550-06357	BOLT	2	
62	09169-08042	WASHER	6	
63	01550-08407	BOLT	3	
64	18417-93J00	BRACKET, PURGE VALVE	1	
65	01550-06127	BOLT	2	

DF250_E01_016

FIG.147M

FIG.147M (1-I-6) FUEL PUMP/FUEL VAPOR SEPARATOR (DF250Z E40)

REF NO.	PART NO.	DESCRIPTION	Q'TY	REMARKS
66	09352-50823-00B	HOSE (5X8.2X2000)	1	L:2000->1230
67	09401-08412	CLIP	1	
68	18498-93J10	PROTECTOR, EVAP HOSE (L:1130)	1	
69	09320-08086	CUSHION	1	
70	09403-14304	CLAMP	1	
71	09408-00043	CLAMP	1	

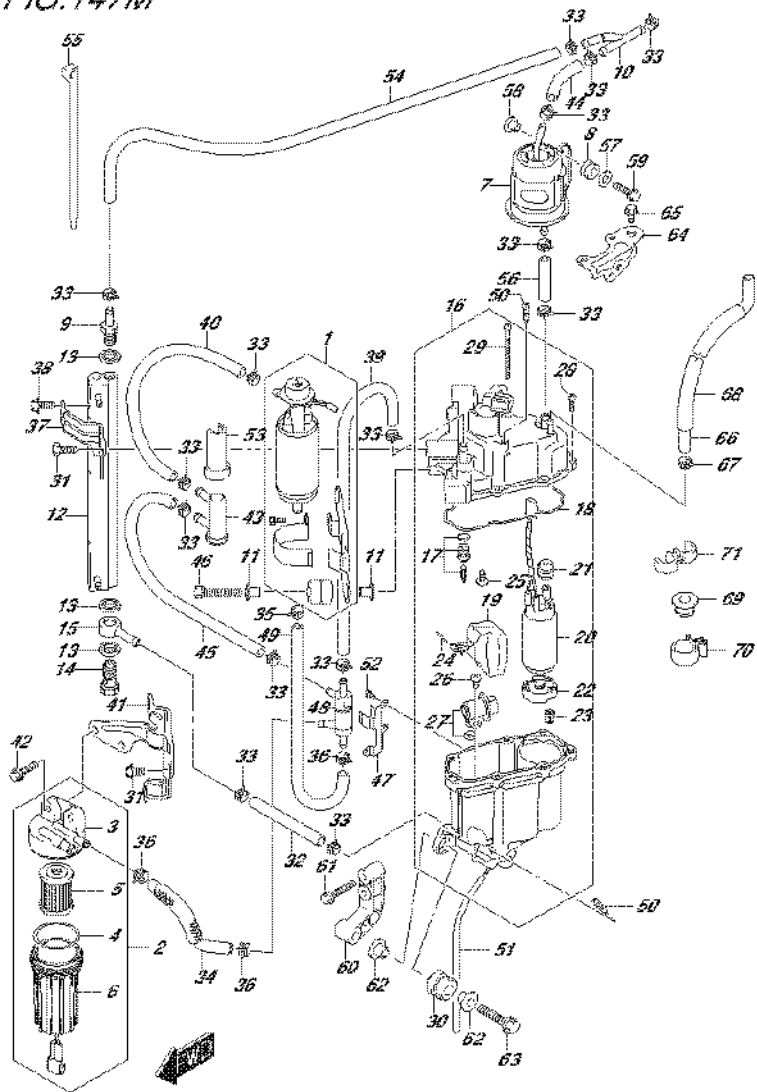


FIG. 160A

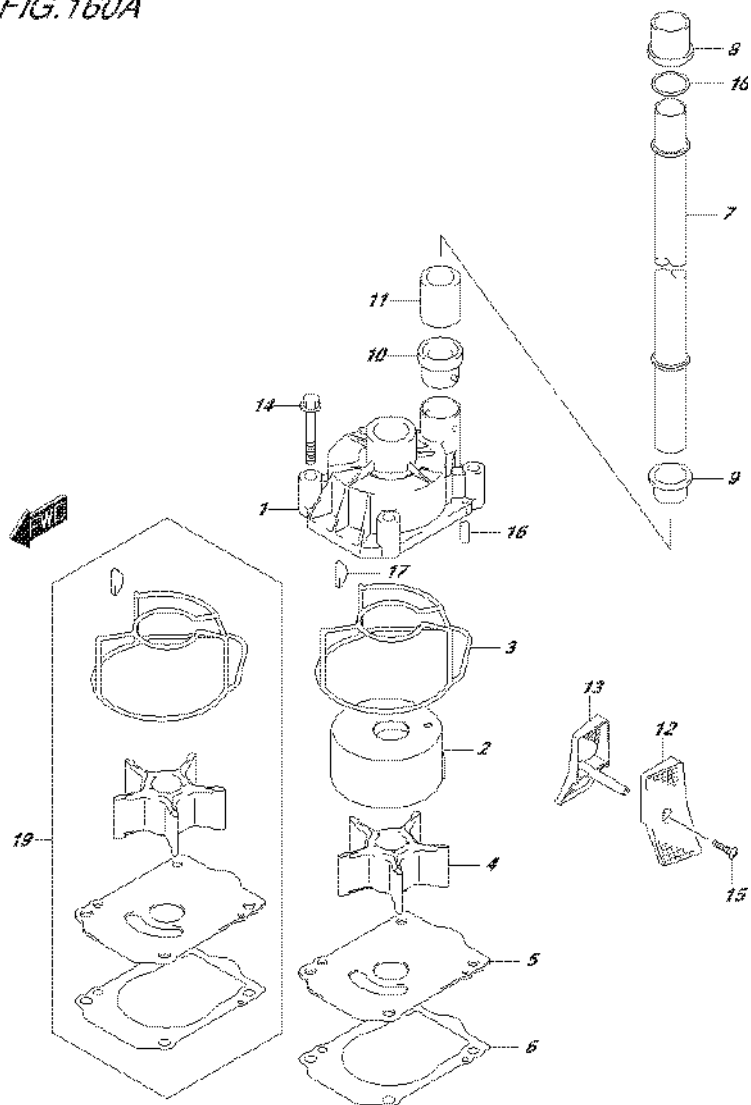


FIG.160A (1-I-7) WATER PUMP (DF200T E01)

REF NO.	PART NO.	DESCRIPTION	Q'TY	REMARKS
1	17410-93J01	CASE, WATER PUMP	1	
2	17413-93J02	SLEEVE, CASE	1	
3	17416-93J00	SEALING, CASE	1	
4	17461-93J00	IMPELLER, WATER PUMP	1	
5	17471-93J02	PANEL, PUMP CASE UNDER	1	
6	17472-93J00	GASKET, PUMP CASE PANEL	1	
7-1	17561-93J03	TUBE, WATER (X)	1	W/TRANSOM(X)
7-2	17561-93J13	TUBE, WATER (XX)	1	W/TRANSOM(XX)
7-3	17561-93J21	TUBE, WATER (L)	1	W/TRANSOM(L)
8	17562-93J01	BUSH, WATER TUBE UPPER	1	
9	17563-93J00	BUSH, WATER TUBE LOWER	1	
10	17564-93J00	BUSH, WATER PUMP CASE	1	
11	17612-93J00	SPACER, WATER TUBE	1	
12-1	17631-93J20	FILTER, WATER PORT SIDE	1	
12-2	17631-93J30	FILTER, WATER PORT SIDE	1	OPT
13-1	17632-93J20	FILTER, WATER STBD SIDE	1	
13-2	17632-93J30	FILTER, WATER STBD SIDE	1	OPT
14	09116-08131	BOLT (8X45)	4	
15	09132-04034	SCREW (4X18)	1	
16	09202-06031	PIN (6X12)	2	
17	09420-05009	KEY	1	
18	09168-20002	GASKET (20.5X30X1.5)	1	
19	17400-93J02	WATER PUMP REPAIR KIT	1	OPT

FIG.160B

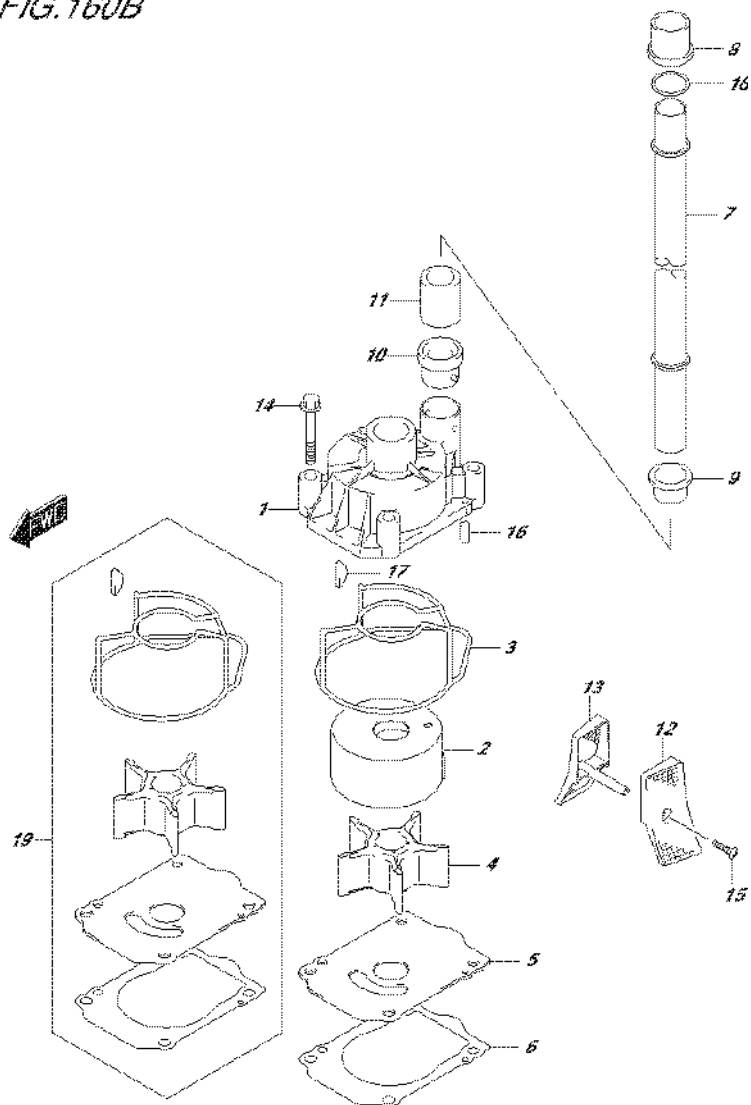


FIG.160B (1-I-8) WATER PUMP (DF200T E40)

REF NO.	PART NO.	DESCRIPTION	Q'TY	REMARKS
1	17410-93J01	CASE, WATER PUMP	1	
2	17413-93J12	SLEEVE, CASE	1	
3	17416-93J00	SEALING, CASE	1	
4	17461-93J00	IMPELLER, WATER PUMP	1	
5	17471-93J12	PANEL, PUMP CASE UNDER	1	
6	17472-93J00	GASKET, PUMP CASE PANEL	1	
7-1	17561-93J03	TUBE, WATER (X)	1	W/TRANSOM(X)
7-2	17561-93J21	TUBE, WATER (L)	1	W/TRANSOM(L)
8	17562-93J01	BUSH, WATER TUBE UPPER	1	
9	17563-93J00	BUSH, WATER TUBE LOWER	1	
10	17564-93J00	BUSH, WATER PUMP CASE	1	
11	17612-93J00	SPACER, WATER TUBE	1	
12-1	17631-93J20	FILTER, WATER PORT SIDE	1	
12-2	17631-93J30	FILTER, WATER PORT SIDE	1	OPT
13-1	17632-93J20	FILTER, WATER STBD SIDE	1	
13-2	17632-93J30	FILTER, WATER STBD SIDE	1	OPT
14	09116-08131	BOLT (8X45)	4	
15	09132-04034	SCREW (4X18)	1	
16	09202-06031	PIN (6X12)	2	
17	09420-05009	KEY	1	
18	09168-20002	GASKET (20.5X30X1.5)	1	
19	17400-93J02	WATER PUMP REPAIR KIT	1	OPT

FIG.160C

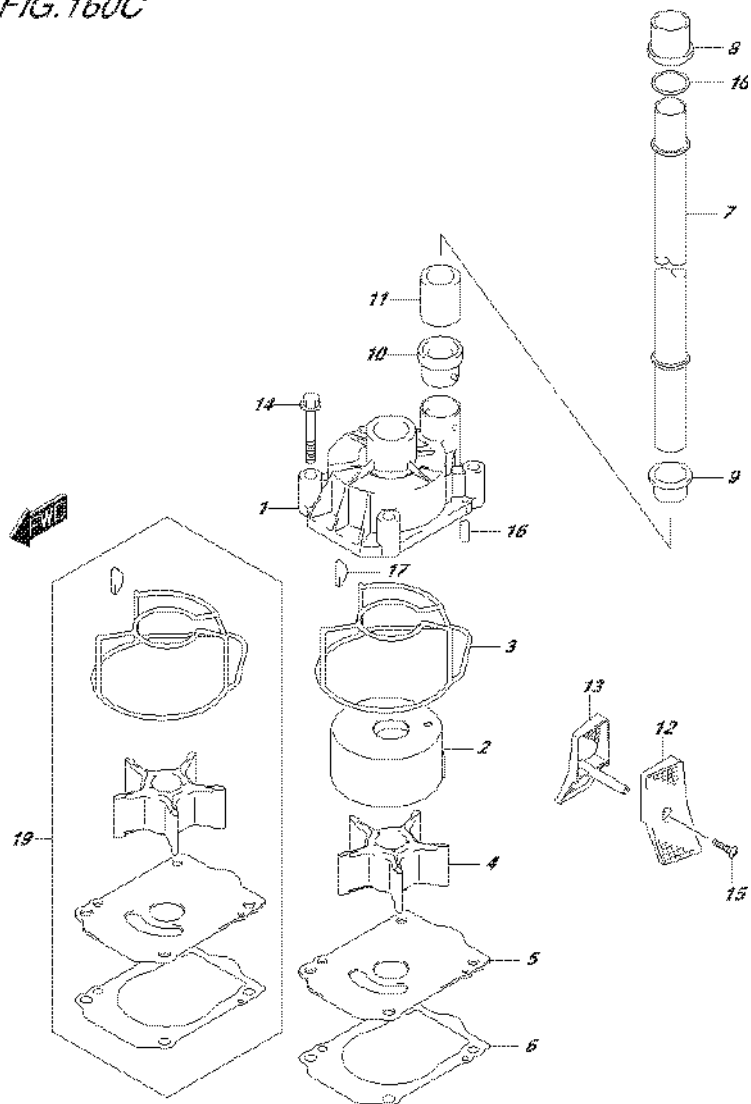


FIG.160C (1-I-9) WATER PUMP (DF200Z E01)

REF NO.	PART NO.	DESCRIPTION	Q'TY	REMARKS
1	17410-93J01	CASE, WATER PUMP	1	
2	17413-93J02	SLEEVE, CASE	1	
3	17416-93J00	SEALING, CASE	1	
4	17461-93J00	IMPELLER, WATER PUMP	1	
5	17471-93J02	PANEL, PUMP CASE UNDER	1	
6	17472-93J00	GASKET, PUMP CASE PANEL	1	
7-1	17561-93J03	TUBE, WATER (X)	1	W/TRANSOM(X)
7-2	17561-93J13	TUBE, WATER (XX)	1	W/TRANSOM(XX)
8	17562-93J01	BUSH, WATER TUBE UPPER	1	
9	17563-93J00	BUSH, WATER TUBE LOWER	1	
10	17564-93J00	BUSH, WATER PUMP CASE	1	
11	17612-93J00	SPACER, WATER TUBE	1	
12-1	17631-93J20	FILTER, WATER PORT SIDE	1	
12-2	17631-93J30	FILTER, WATER PORT SIDE	1	OPT
13-1	17632-93J20	FILTER, WATER STBD SIDE	1	
13-2	17632-93J30	FILTER, WATER STBD SIDE	1	OPT
14	09116-08131	BOLT (8X45)	4	
15	09132-04034	SCREW (4X18)	1	
16	09202-06031	PIN (6X12)	2	
17	09420-05009	KEY	1	
18	09168-20002	GASKET (20.5X30X1.5)	1	
19	17400-93J02	WATER PUMP REPAIR KIT	1	OPT

FIG.160D

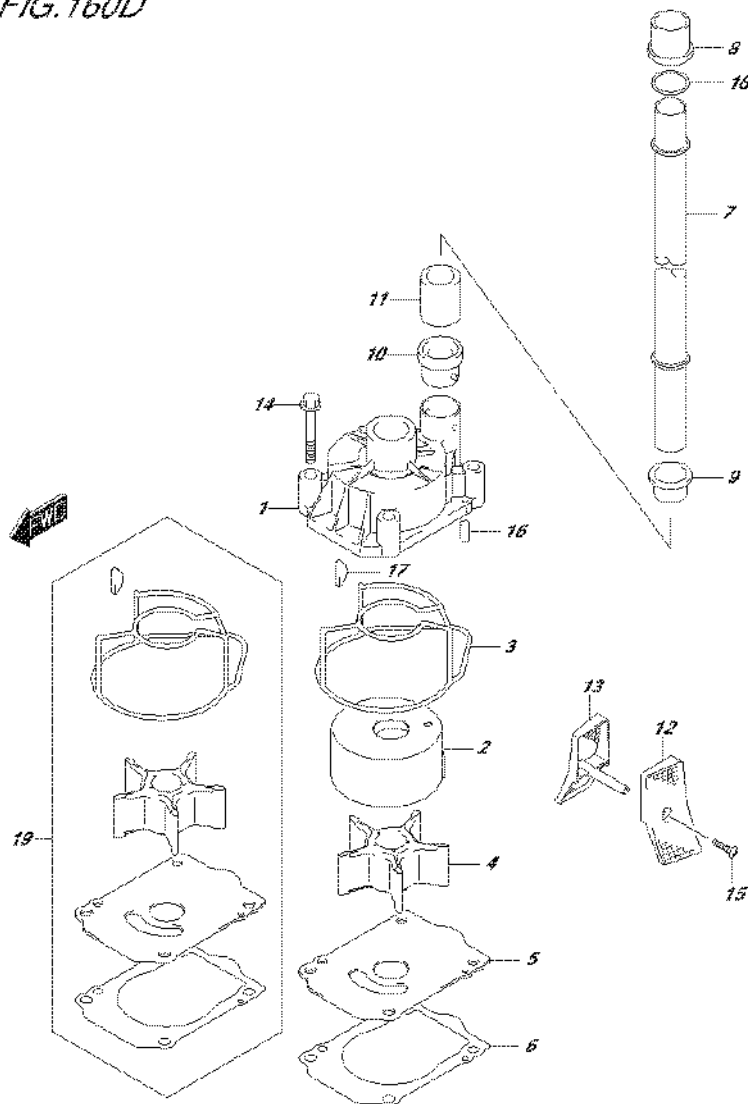


FIG.160D (1-I-10) WATER PUMP (DF200Z E40)

REF NO.	PART NO.	DESCRIPTION	Q'TY	REMARKS
1	17410-93J01	CASE, WATER PUMP	1	
2	17413-93J12	SLEEVE, CASE	1	
3	17416-93J00	SEALING, CASE	1	
4	17461-93J00	IMPELLER, WATER PUMP	1	
5	17471-93J12	PANEL, PUMP CASE UNDER	1	
6	17472-93J00	GASKET, PUMP CASE PANEL	1	
7	17561-93J03	TUBE, WATER (X)	1	
8	17562-93J01	BUSH, WATER TUBE UPPER	1	
9	17563-93J00	BUSH, WATER TUBE LOWER	1	
10	17564-93J00	BUSH, WATER PUMP CASE	1	
11	17612-93J00	SPACER, WATER TUBE	1	
12-1	17631-93J20	FILTER, WATER PORT SIDE	1	
12-2	17631-93J30	FILTER, WATER PORT SIDE	1	OPT
13-1	17632-93J20	FILTER, WATER STBD SIDE	1	
13-2	17632-93J30	FILTER, WATER STBD SIDE	1	OPT
14	09116-08131	BOLT (8X45)	4	
15	09132-04034	SCREW (4X18)	1	
16	09202-06031	PIN (6X12)	2	
17	09420-05009	KEY	1	
18	09168-20002	GASKET (20.5X30X1.5)	1	
19	17400-93J02	WATER PUMP REPAIR KIT	1	OPT

FIG.160E

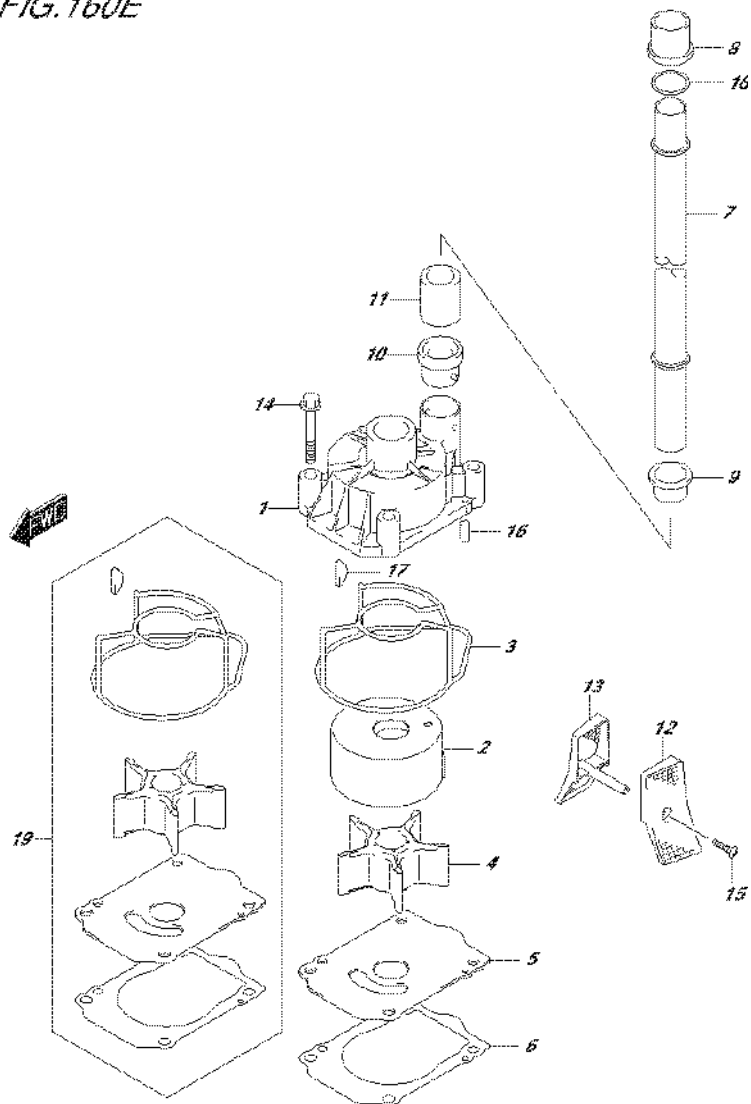


FIG.160E (1-I-11) WATER PUMP (DF225T E01)

REF NO.	PART NO.	DESCRIPTION	Q'TY	REMARKS
1	17410-93J01	CASE, WATER PUMP	1	
2	17413-93J02	SLEEVE, CASE	1	
3	17416-93J00	SEALING, CASE	1	
4	17461-93J00	IMPELLER, WATER PUMP	1	
5	17471-93J02	PANEL, PUMP CASE UNDER	1	
6	17472-93J00	GASKET, PUMP CASE PANEL	1	
7-1	17561-93J03	TUBE, WATER (X)	1	W/TRANSOM(X)
7-2	17561-93J13	TUBE, WATER (XX)	1	W/TRANSOM(XX)
8	17562-93J01	BUSH, WATER TUBE UPPER	1	
9	17563-93J00	BUSH, WATER TUBE LOWER	1	
10	17564-93J00	BUSH, WATER PUMP CASE	1	
11	17612-93J00	SPACER, WATER TUBE	1	
12-1	17631-93J20	FILTER, WATER PORT SIDE	1	
12-2	17631-93J30	FILTER, WATER PORT SIDE	1	OPT
13-1	17632-93J20	FILTER, WATER STBD SIDE	1	
13-2	17632-93J30	FILTER, WATER STBD SIDE	1	OPT
14	09116-08131	BOLT (8X45)	4	
15	09132-04034	SCREW (4X18)	1	
16	09202-06031	PIN (6X12)	2	
17	09420-05009	KEY	1	
18	09168-20002	GASKET (20.5X30X1.5)	1	
19	17400-93J02	WATER PUMP REPAIR KIT	1	OPT

FIG.160F

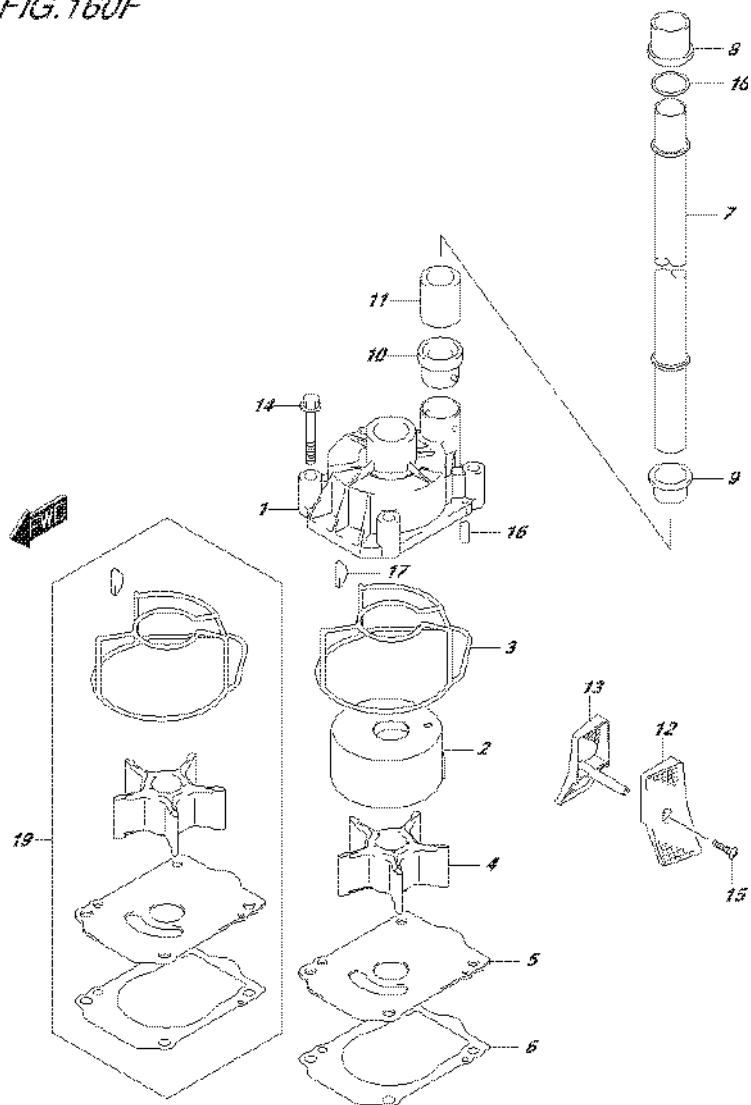


FIG.160F (1-12) WATER PUMP (DF225T E40)

REF NO.	PART NO.	DESCRIPTION	Q'TY	REMARKS
1	17410-93J01	CASE, WATER PUMP	1	
2	17413-93J12	SLEEVE, CASE	1	
3	17416-93J00	SEALING, CASE	1	
4	17461-93J00	IMPELLER, WATER PUMP	1	
5	17471-93J12	PANEL, PUMP CASE UNDER	1	
6	17472-93J00	GASKET, PUMP CASE PANEL	1	
7-1	17561-93J03	TUBE, WATER (X)	1	W/TRANSOM(X)
7-2	17561-93J13	TUBE, WATER (XX)	1	W/TRANSOM(XX)
8	17562-93J01	BUSH, WATER TUBE UPPER	1	
9	17563-93J00	BUSH, WATER TUBE LOWER	1	
10	17564-93J00	BUSH, WATER PUMP CASE	1	
11	17612-93J00	SPACER, WATER TUBE	1	
12-1	17631-93J20	FILTER, WATER PORT SIDE	1	
12-2	17631-93J30	FILTER, WATER PORT SIDE	1	OPT
13-1	17632-93J20	FILTER, WATER STBD SIDE	1	
13-2	17632-93J30	FILTER, WATER STBD SIDE	1	OPT
14	09116-08131	BOLT (8X45)	4	
15	09132-04034	SCREW (4X18)	1	
16	09202-06031	PIN (6X12)	2	
17	09420-05009	KEY	1	
18	09168-20002	GASKET (20.5X30X1.5)	1	
19	17400-93J02	WATER PUMP REPAIR KIT	1	OPT

FIG.160G

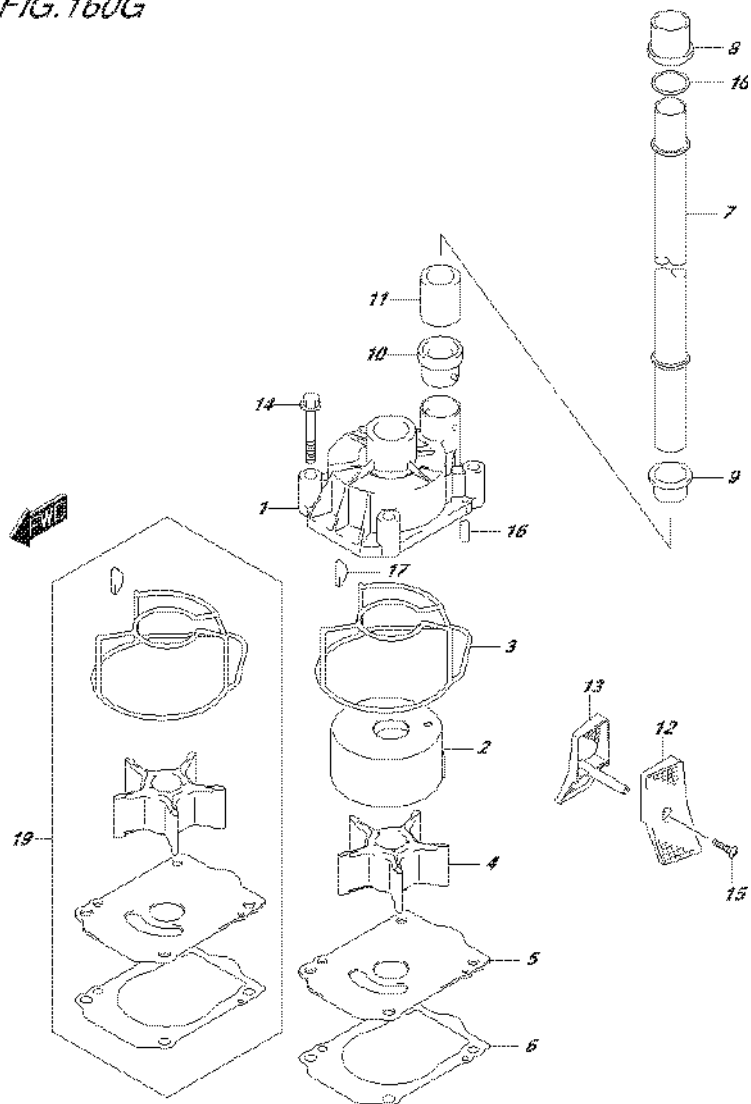


FIG.160G (1-I-13) WATER PUMP (DF225Z E01)

REF NO.	PART NO.	DESCRIPTION	Q'TY	REMARKS
1	17410-93J01	CASE, WATER PUMP	1	
2	17413-93J02	SLEEVE, CASE	1	
3	17416-93J00	SEALING, CASE	1	
4	17461-93J00	IMPELLER, WATER PUMP	1	
5	17471-93J02	PANEL, PUMP CASE UNDER	1	
6	17472-93J00	GASKET, PUMP CASE PANEL	1	
7-1	17561-93J03	TUBE, WATER (X)	1	W/TRANSOM(X)
7-2	17561-93J13	TUBE, WATER (XX)	1	W/TRANSOM(XX)
8	17562-93J01	BUSH, WATER TUBE UPPER	1	
9	17563-93J00	BUSH, WATER TUBE LOWER	1	
10	17564-93J00	BUSH, WATER PUMP CASE	1	
11	17612-93J00	SPACER, WATER TUBE	1	
12-1	17631-93J20	FILTER, WATER PORT SIDE	1	
12-2	17631-93J30	FILTER, WATER PORT SIDE	1	OPT
13-1	17632-93J20	FILTER, WATER STBD SIDE	1	
13-2	17632-93J30	FILTER, WATER STBD SIDE	1	OPT
14	09116-08131	BOLT (8X45)	4	
15	09132-04034	SCREW (4X18)	1	
16	09202-06031	PIN (6X12)	2	
17	09420-05009	KEY	1	
18	09168-20002	GASKET (20.5X30X1.5)	1	
19	17400-93J02	WATER PUMP REPAIR KIT	1	OPT

FIG.160H

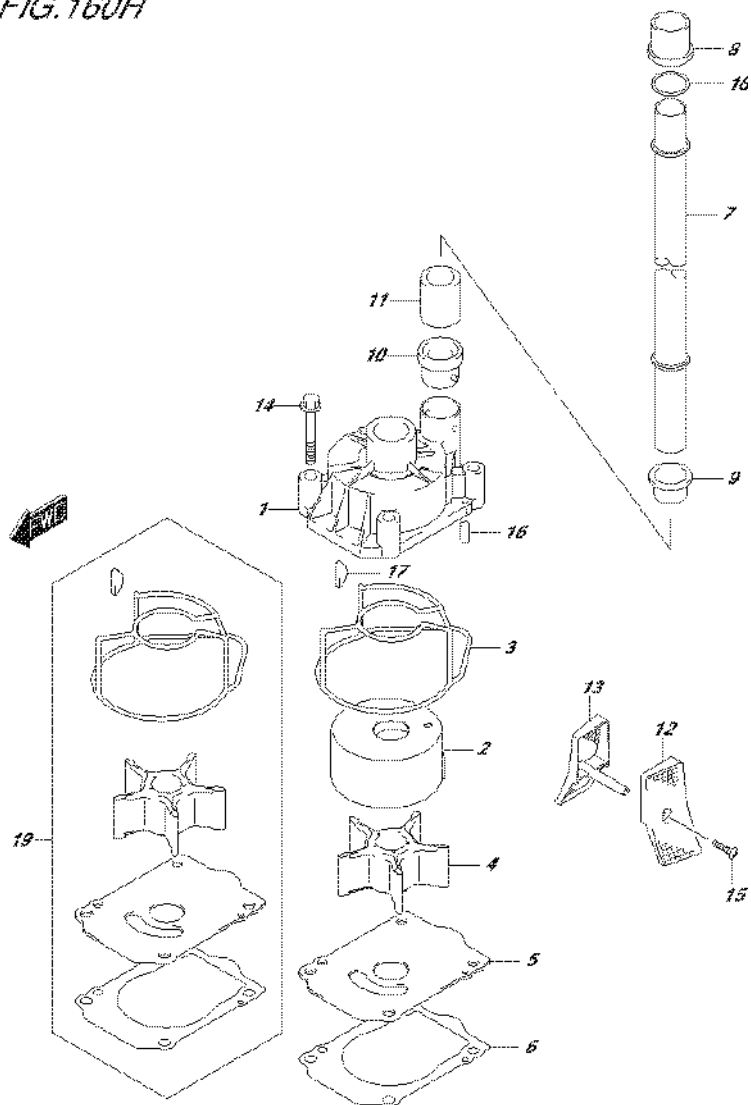


FIG.160H (1-I-14) WATER PUMP (DF225Z E40)

REF NO.	PART NO.	DESCRIPTION	Q'TY	REMARKS
1	17410-93J01	CASE, WATER PUMP	1	
2	17413-93J12	SLEEVE, CASE	1	
3	17416-93J00	SEALING, CASE	1	
4	17461-93J00	IMPELLER, WATER PUMP	1	
5	17471-93J12	PANEL, PUMP CASE UNDER	1	
6	17472-93J00	GASKET, PUMP CASE PANEL	1	
7-1	17561-93J03	TUBE, WATER (X)	1	W/TRANSOM(X)
7-2	17561-93J13	TUBE, WATER (XX)	1	W/TRANSOM(XX)
8	17562-93J01	BUSH, WATER TUBE UPPER	1	
9	17563-93J00	BUSH, WATER TUBE LOWER	1	
10	17564-93J00	BUSH, WATER PUMP CASE	1	
11	17612-93J00	SPACER, WATER TUBE	1	
12-1	17631-93J20	FILTER, WATER PORT SIDE	1	
12-2	17631-93J30	FILTER, WATER PORT SIDE	1	OPT
13-1	17632-93J20	FILTER, WATER STBD SIDE	1	
13-2	17632-93J30	FILTER, WATER STBD SIDE	1	OPT
14	09116-08131	BOLT (8X45)	4	
15	09132-04034	SCREW (4X18)	1	
16	09202-06031	PIN (6X12)	2	
17	09420-05009	KEY	1	
18	09168-20002	GASKET (20.5X30X1.5)	1	
19	17400-93J02	WATER PUMP REPAIR KIT	1	OPT

FIG. 160J

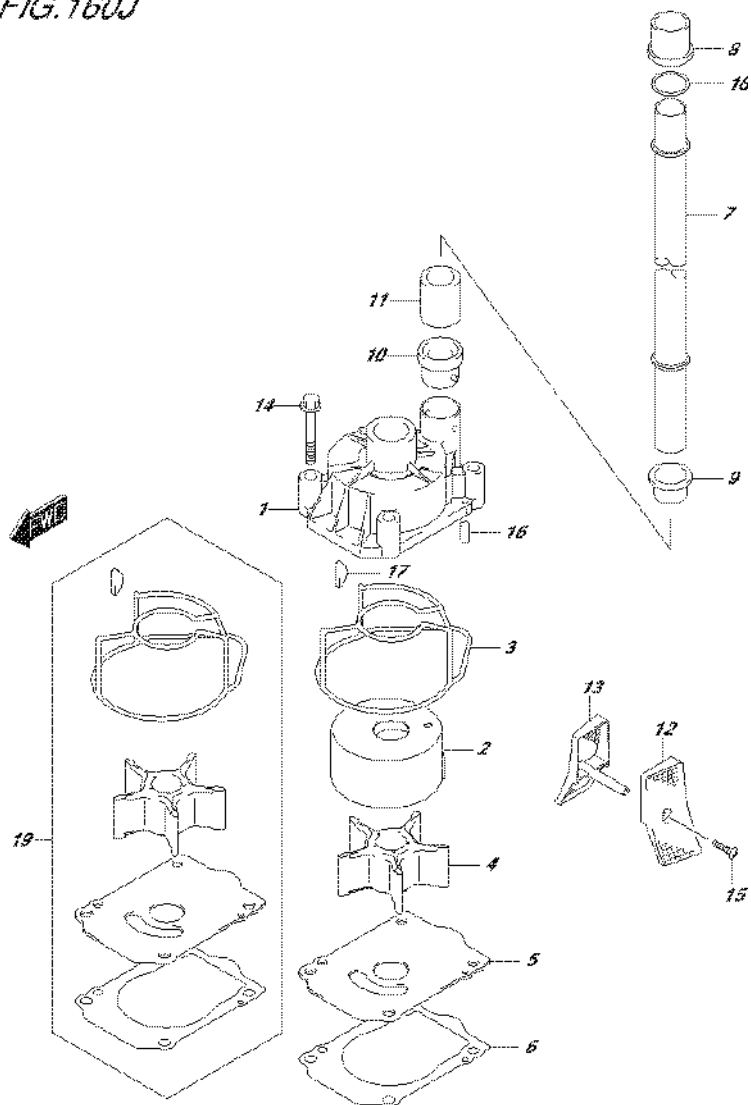


FIG.160J (1-I-15) WATER PUMP (DF250T E01)

REF NO.	PART NO.	DESCRIPTION	Q'TY	REMARKS
1	17410-93J01	CASE, WATER PUMP	1	
2	17413-93J02	SLEEVE, CASE	1	
3	17416-93J00	SEALING, CASE	1	
4	17461-93J00	IMPELLER, WATER PUMP	1	
5	17471-93J02	PANEL, PUMP CASE UNDER	1	
6	17472-93J00	GASKET, PUMP CASE PANEL	1	
7-1	17561-93J03	TUBE, WATER (X)	1	W/TRANSOM(X)
7-2	17561-93J13	TUBE, WATER (XX)	1	W/TRANSOM(XX)
8	17562-93J01	BUSH, WATER TUBE UPPER	1	
9	17563-93J00	BUSH, WATER TUBE LOWER	1	
10	17564-93J00	BUSH, WATER PUMP CASE	1	
11	17612-93J00	SPACER, WATER TUBE	1	
12-1	17631-93J20	FILTER, WATER PORT SIDE	1	
12-2	17631-93J30	FILTER, WATER PORT SIDE	1	OPT
13-1	17632-93J20	FILTER, WATER STBD SIDE	1	
13-2	17632-93J30	FILTER, WATER STBD SIDE	1	OPT
14	09116-08131	BOLT (8X45)	4	
15	09132-04034	SCREW (4X18)	1	
16	09202-06031	PIN (6X12)	2	
17	09420-05009	KEY	1	
18	09168-20002	GASKET (20.5X30X1.5)	1	
19	17400-93J02	WATER PUMP REPAIR KIT	1	OPT

FIG.160K

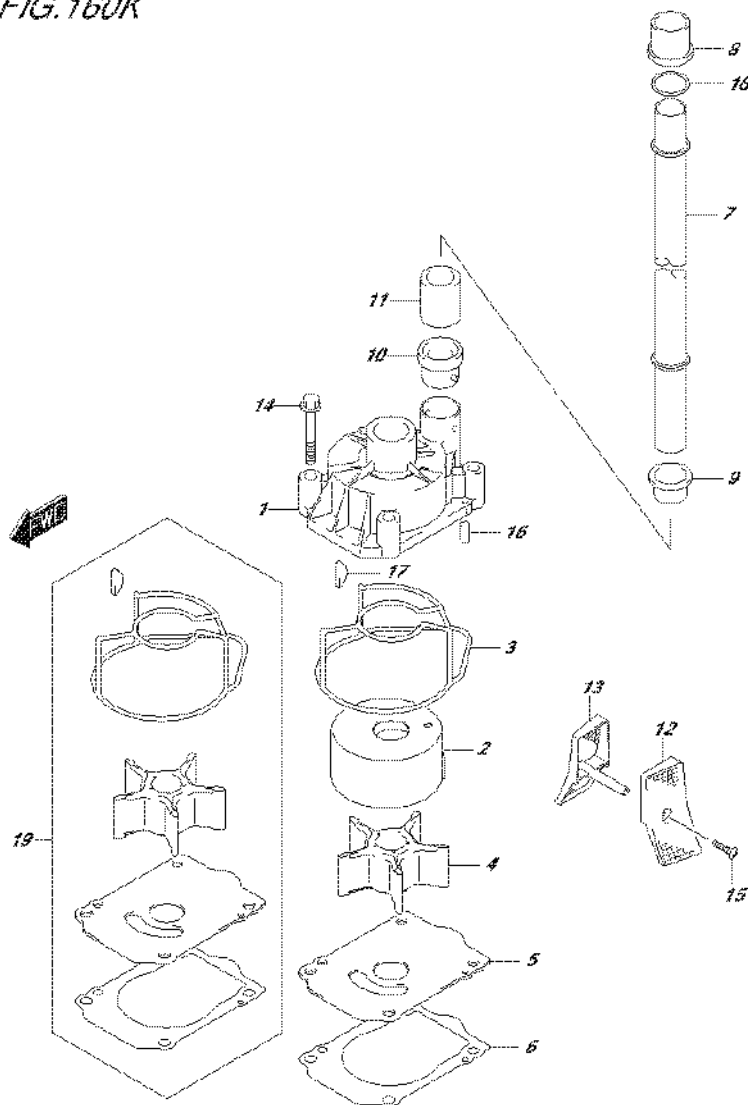


FIG.160K (1-J-2) WATER PUMP (DF250T E40)

REF NO.	PART NO.	DESCRIPTION	Q'TY	REMARKS
1	17410-93J01	CASE, WATER PUMP	1	
2	17413-93J12	SLEEVE, CASE	1	
3	17416-93J00	SEALING, CASE	1	
4	17461-93J00	IMPELLER, WATER PUMP	1	
5	17471-93J12	PANEL, PUMP CASE UNDER	1	
6	17472-93J00	GASKET, PUMP CASE PANEL	1	
7-1	17561-93J03	TUBE, WATER (X)	1	W/TRANSOM(X)
7-2	17561-93J13	TUBE, WATER (XX)	1	W/TRANSOM(XX)
8	17562-93J01	BUSH, WATER TUBE UPPER	1	
9	17563-93J00	BUSH, WATER TUBE LOWER	1	
10	17564-93J00	BUSH, WATER PUMP CASE	1	
11	17612-93J00	SPACER, WATER TUBE	1	
12-1	17631-93J20	FILTER, WATER PORT SIDE	1	
12-2	17631-93J30	FILTER, WATER PORT SIDE	1	OPT
13-1	17632-93J20	FILTER, WATER STBD SIDE	1	
13-2	17632-93J30	FILTER, WATER STBD SIDE	1	OPT
14	09116-08131	BOLT (8X45)	4	
15	09132-04034	SCREW (4X18)	1	
16	09202-06031	PIN (6X12)	2	
17	09420-05009	KEY	1	
18	09168-20002	GASKET (20.5X30X1.5)	1	
19	17400-93J02	WATER PUMP REPAIR KIT	1	OPT

FIG. 160L

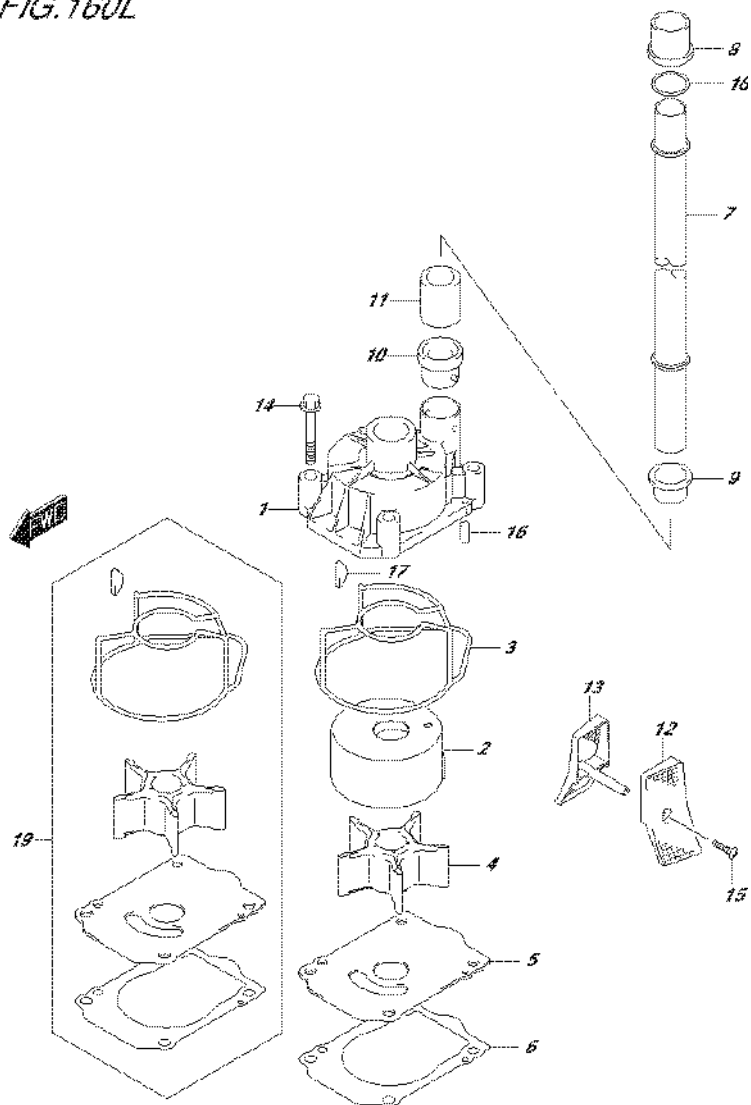


FIG.160L (1-J-3) WATER PUMP (DF250Z E01)

REF NO.	PART NO.	DESCRIPTION	Q'TY	REMARKS
1	17410-93J01	CASE, WATER PUMP	1	
2	17413-93J02	SLEEVE, CASE	1	
3	17416-93J00	SEALING, CASE	1	
4	17461-93J00	IMPELLER, WATER PUMP	1	
5	17471-93J02	PANEL, PUMP CASE UNDER	1	
6	17472-93J00	GASKET, PUMP CASE PANEL	1	
7-1	17561-93J03	TUBE, WATER (X)	1	W/TRANSOM(X)
7-2	17561-93J13	TUBE, WATER (XX)	1	W/TRANSOM(XX)
8	17562-93J01	BUSH, WATER TUBE UPPER	1	
9	17563-93J00	BUSH, WATER TUBE LOWER	1	
10	17564-93J00	BUSH, WATER PUMP CASE	1	
11	17612-93J00	SPACER, WATER TUBE	1	
12-1	17631-93J20	FILTER, WATER PORT SIDE	1	
12-2	17631-93J30	FILTER, WATER PORT SIDE	1	OPT
13-1	17632-93J20	FILTER, WATER STBD SIDE	1	
13-2	17632-93J30	FILTER, WATER STBD SIDE	1	OPT
14	09116-08131	BOLT (8X45)	4	
15	09132-04034	SCREW (4X18)	1	
16	09202-06031	PIN (6X12)	2	
17	09420-05009	KEY	1	
18	09168-20002	GASKET (20.5X30X1.5)	1	
19	17400-93J02	WATER PUMP REPAIR KIT	1	OPT

FIG.160M

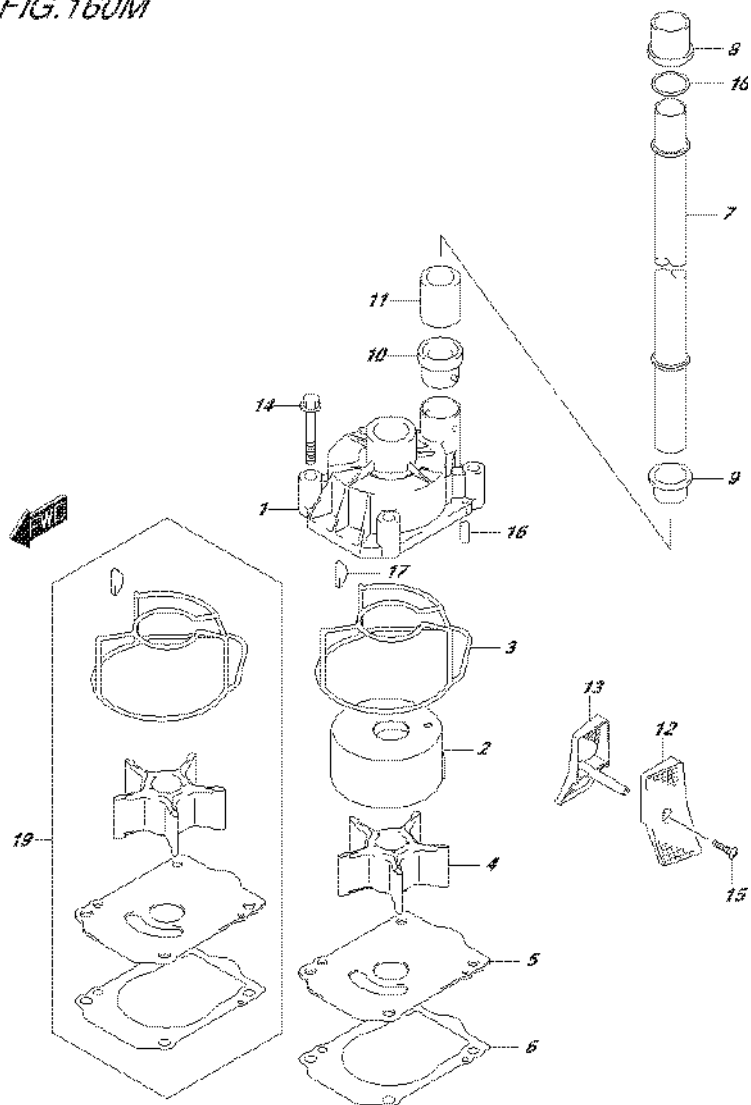
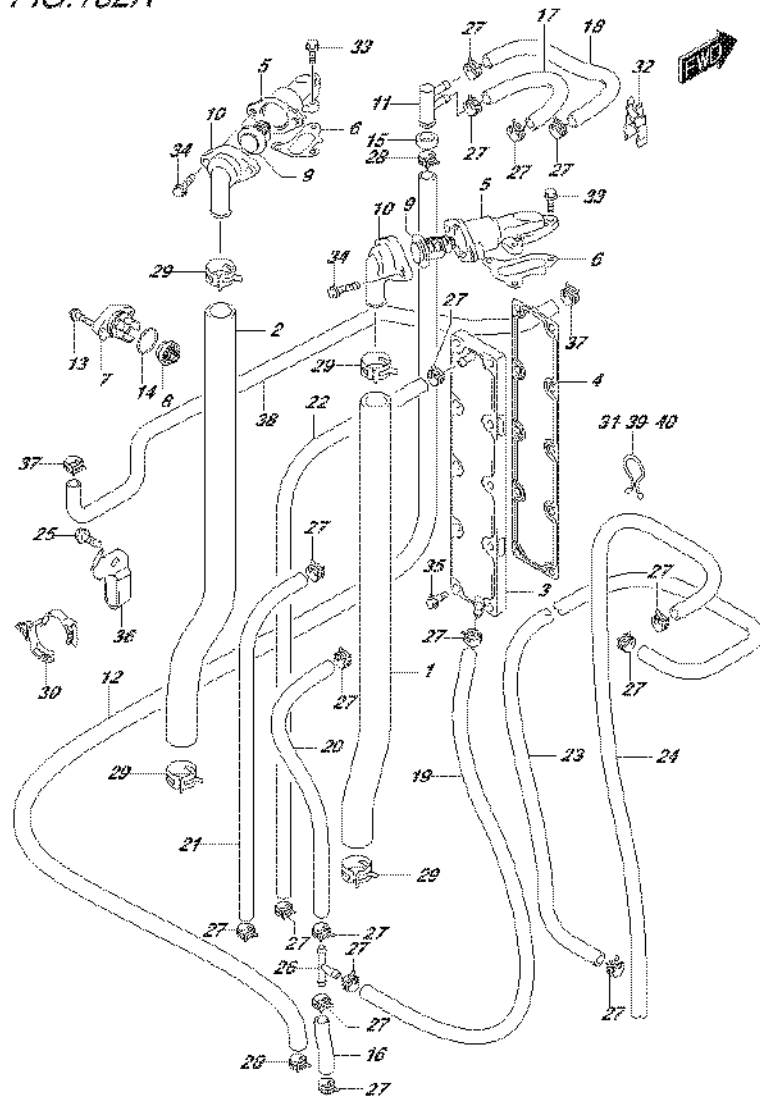


FIG.160M (1-J-4) WATER PUMP (DF250Z E40)

REF NO.	PART NO.	DESCRIPTION	Q'TY	REMARKS
1	17410-93J01	CASE, WATER PUMP	1	
2	17413-93J12	SLEEVE, CASE	1	
3	17416-93J00	SEALING, CASE	1	
4	17461-93J00	IMPELLER, WATER PUMP	1	
5	17471-93J12	PANEL, PUMP CASE UNDER	1	
6	17472-93J00	GASKET, PUMP CASE PANEL	1	
7-1	17561-93J03	TUBE, WATER (X)	1	W/TRANSOM(X)
7-2	17561-93J13	TUBE, WATER (XX)	1	W/TRANSOM(XX)
8	17562-93J01	BUSH, WATER TUBE UPPER	1	
9	17563-93J00	BUSH, WATER TUBE LOWER	1	
10	17564-93J00	BUSH, WATER PUMP CASE	1	
11	17612-93J00	SPACER, WATER TUBE	1	
12-1	17631-93J20	FILTER, WATER PORT SIDE	1	
12-2	17631-93J30	FILTER, WATER PORT SIDE	1	OPT
13-1	17632-93J20	FILTER, WATER STBD SIDE	1	
13-2	17632-93J30	FILTER, WATER STBD SIDE	1	OPT
14	09116-08131	BOLT (8X45)	4	
15	09132-04034	SCREW (4X18)	1	
16	09202-06031	PIN (6X12)	2	
17	09420-05009	KEY	1	
18	09168-20002	GASKET (20.5X30X1.5)	1	
19	17400-93J02	WATER PUMP REPAIR KIT	1	OPT

FIG.162A



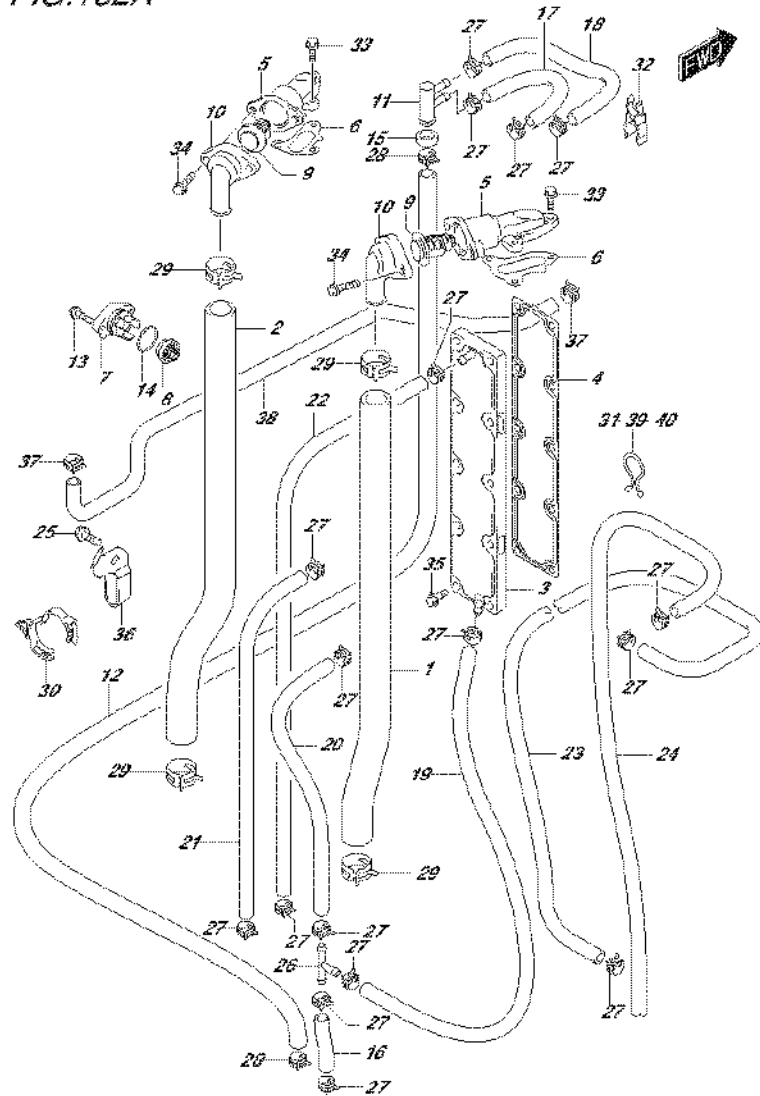
DF250_E01_016_162A
THERMOSTAT

FIG.162A (1-J-5) THERMOSTAT

REF NO.	PART NO.	DESCRIPTION	Q'TY	REMARKS
1	11196-93J00	HOSE, WATER RETURN STBD	1	
2	11197-93J00	HOSE, WATER RETURN PORT	1	
3	11270-93J00	PLATE, CYL BLOCK WTR JKT	1	
4	11272-93J00	GASKET, CYL BLOCK PLATE	1	
5	17581-93J00	PIPE, OUTLET	2	
6	17582-93J00	GASKET, OUTLET PIPE	2	
7-1	17611-90J00-0EP	COVER, WATER PRESS VALVE (BLACK)	1	
7-2	17611-90J00-Y5S	COVER, WATER PRESS VALVE (WHITE)	1	
8	17660-99E01	VALVE, WATER PRESSURE	1	
9-1	17670-90J00	THERMOSTAT (60C)	2	
9-2	17670-90J10	THERMOSTAT (71C)	1	OPT
10	17681-93J00	COVER, THERMOSTAT	2	
11	17711-90J00	3 WAY, WATER HOSE	1	
12	17712-93J00	HOSE (3 WAY TO E/H COV)	1	
13	09116-06121	BOLT (6X25)	2	
14	09280-26006	O RING (D:3.1,ID:26.4)	1	
15	09320-12014	CUSHION	1	
16	09352-50903-600	HOSE (5X9X600)	1	L:600->60
17	09352-50903-600	HOSE (5X9X600)	1	L:600->120
18	09352-50903-600	HOSE (5X9X600)	1	L:600->190
19	09352-50903-600	HOSE (5X9X600)	1	L:600->300
20	09352-50903-600	HOSE (5X9X600)	1	L:600->330
21	09352-50903-600	HOSE (5X9X600)	1	
22	09352-50903-600	HOSE (5X9X600)	1	
23	09352-50903-00B	HOSE (5X9X2000)	1	L2000->850
24	09352-50903-00B	HOSE (5X9X2000)	1	L:2000->1010
25	01550-08127	BOLT	1	
26	09367-06002	JOINT, 3 WAY	1	
27	09401-08413	CLIP	18	
28	09401-14409	CLIP	2	
29	09401-25406	CLIP	4	
30	09403-25304	CLAMP	1	

DF250_E01_016

FIG.162A



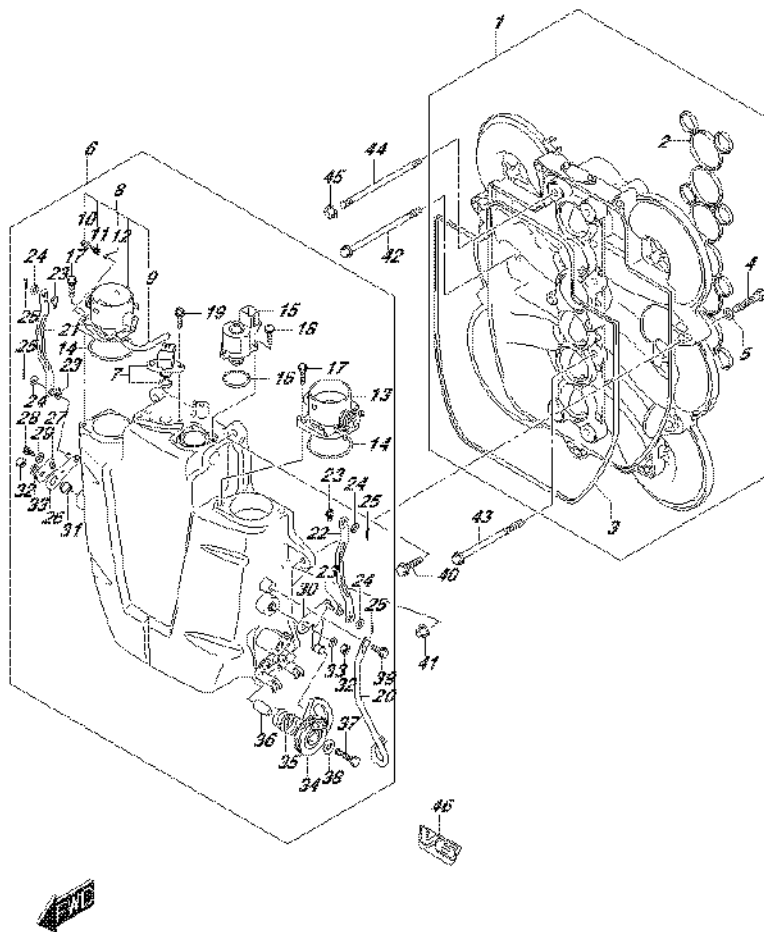
DF250_E01_016_162A
THERMOSTAT

FIG.162A (1-J-6) THERMOSTAT

REF NO.	PART NO.	DESCRIPTION	Q'TY	REMARKS
31	09408-00008	CLIP (ID:20)	1	
32	09408-00056	CLIP	1	
33	01550-06207	BOLT	6	
34	01550-06207	BOLT	4	
35	01550-06257	BOLT	10	
36	17713-98J00	HOLDER, WATER HOSE	1	
37	09401-15414	CLIP	2	
38	17915-98J01	HOSE, WATER FLUSH	1	
39	09408-00024	CLIP (ID:23)	1	
40	09408-00021	CLIP (ID:16)	1	

DF250_E01_016

FIG.163A



DF250_E01_016_163A
THROTTLE BODY

FIG.163A (1-J-7) THROTTLE BODY (DF200T E01)

REF NO.	PART NO.	DESCRIPTION	Q'TY	REMARKS
1	13130-93J30	COLLECTOR	1	
2	13139-93J00	.GASKET, COLLECTOR	1	
3	13147-93J00	.GASKET, COLLECTOR COVER	1	
4	13138-93J00	.BOLT, COLLECTOR	2	
5	08322-01087	.WASHER	2	
6	13140-93J13	COVER, COLLECTOR	1	
7	18590-68H00	.SENSOR, PRESSURE	1	
8	13310-93J01	.BODY ASSY, THROTTLE NO.1	1	
9	13312-93J00	..HOSE, BYPASS AIR	1	
10	13279-10G00	..SCREW, BYPASS AIR	1	
11	13355-93J00	..SPRING, BYPASS AIR	1	
12	13295-10G00	..O RING, BYPASS AIR SCREW	1	
13	13320-93J00	BODY ASSY, THROTTLE NO.2	1	
14	13421-93J00	.GASKET, THROTTLE BODY	2	
15	18137-93J00	.VALVE, IAC	1	
16	09280-29006	.O RING (D:2,ID:29.5)	1	
17	01547-06257	.BOLT	4	
18	02112-3416B	.SCREW	3	
19	02162-0520B	.SCREW	2	
20	13144-93J00	.GUARD, THROTTLE DRUM	1	
21	13583-93J00	.ARM, LINK	1	
22	13583-93J00	.ARM, LINK	1	
23	13555-93J00	.GROMMET, LINK	4	
24	13537-93J00	.WASHER, LINK	4	
25	09204-01004	.PIN	4	
26	13553-93J00	.LEVER, NO.1	1	
27	13554-93J00	.LEVER, NO.2	1	
28	02112-35087	.SCREW	1	
29	09160-05043	.WASHER (5.5X16X1.2)	1	
30	13521-93J00	.LEVER, LINK	1	
31	13514-93J00	.SPACER, LINK SHAFT	1	
32	13599-93J00	.NUT, LINK SHAFT	2	
33	13538-93J00	.WASHER, LINK SHAFT SPRING	2	
34	13541-93J00	.CAM THROTTLE	1	

DF250_E01_016

FIG. 163A

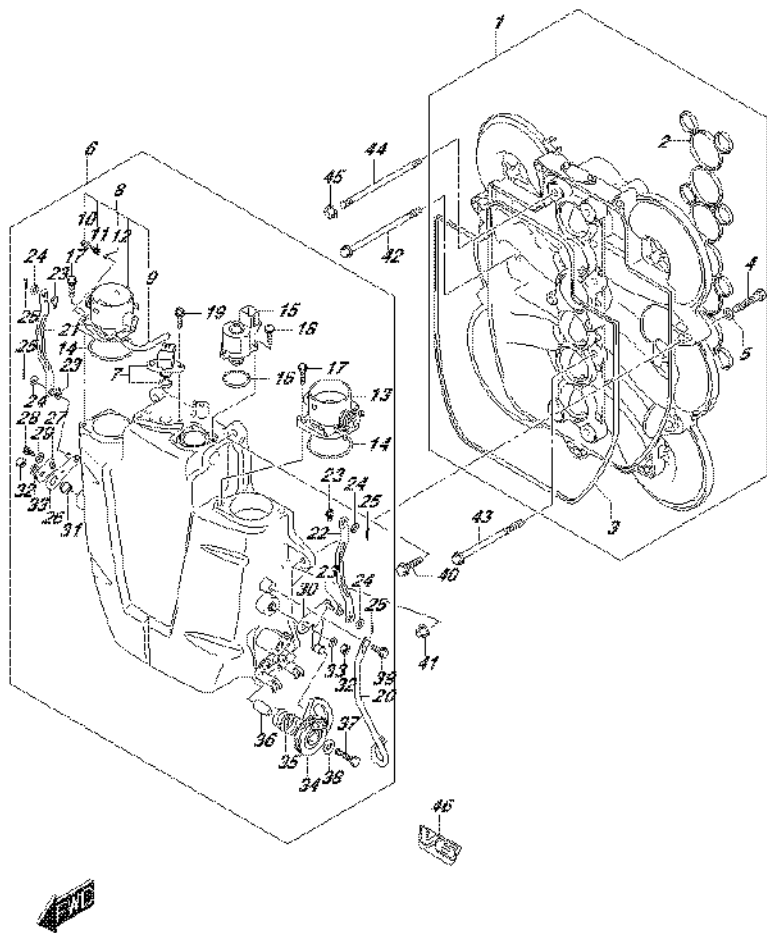
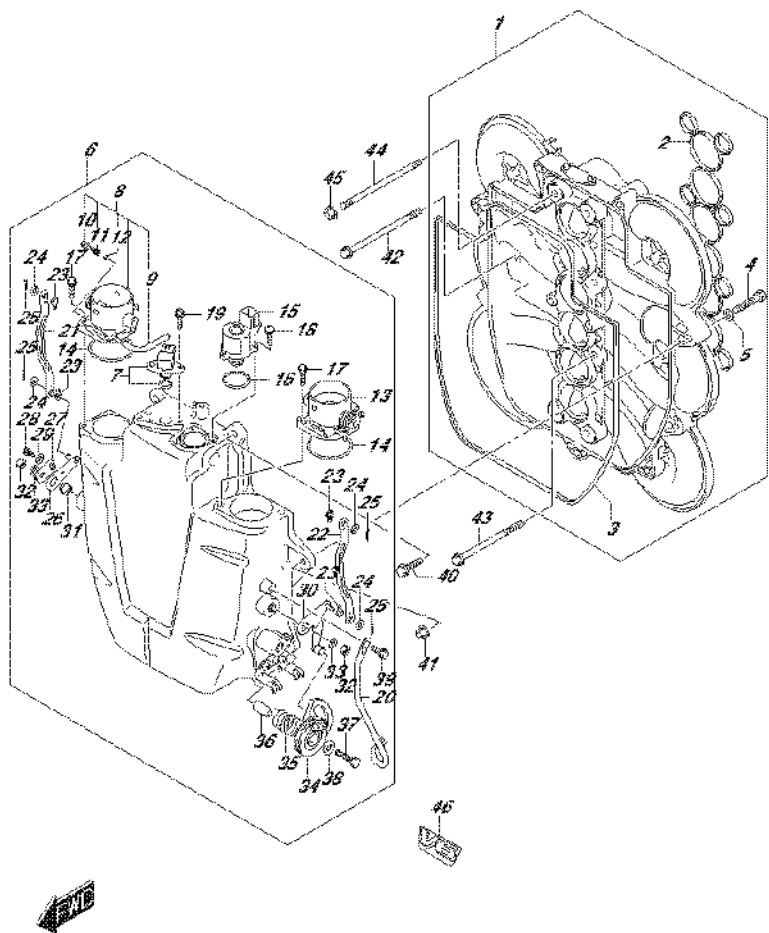


FIG.163A (1-J-8) THROTTLE BODY (DF200T E01)

REF NO.	PART NO.	DESCRIPTION	Q'TY	REMARKS
35	13542-93J00	.SPRING, THROTTLE CAM	1	
36	13543-93J00	.SPACER, THROTTLE CAM	1	
37	01500-06307	.BOLT	1	
38	09160-06036	.WASHER (6.5X18X1.5)	1	
39	01550-06167	.BOLT	2	
40	01550-08307	BOLT	7	
41	08316-10087	NUT	2	
42	09103-08182	BOLT (8X125)	2	
43	09103-08134	BOLT (8X110)	4	
44	09108-08267	STUD BOLT	2	
45	08316-1008A	NUT	2	
46	61436-93J00	MARK, EMBLEM V6	1	

FIG.163B



DF250_E01_016_163B
THROTTLE BODY

FIG.163B (1-J-9) THROTTLE BODY (DF200T E40)

REF NO.	PART NO.	DESCRIPTION	Q'TY	REMARKS
1	13130-93J30	COLLECTOR	1	
2	13139-93J00	.GASKET, COLLECTOR	1	
3	13147-93J00	.GASKET, COLLECTOR COVER	1	
4	13138-93J00	.BOLT, COLLECTOR	2	
5	08322-01087	.WASHER	2	
6	13140-93J13	COVER, COLLECTOR	1	
7	18590-68H00	.SENSOR, PRESSURE	1	
8	13310-93J01	.BODY ASSY, THROTTLE NO.1	1	
9	13312-93J00	.HOSE, BYPASS AIR	1	
10	13279-10G00	.SCREW, BYPASS AIR	1	
11	13355-93J00	.SPRING, BYPASS AIR	1	
12	13295-10G00	.O RING, BYPASS AIR SCREW	1	
13	13320-93J00	BODY ASSY, THROTTLE NO.2	1	
14	13421-93J00	.GASKET, THROTTLE BODY	2	
15	18137-93J00	.VALVE, IAC	1	
16	09280-29006	.O RING (D:2, ID:29.5)	1	
17	01547-06257	.BOLT	4	
18	02112-3416B	.SCREW	3	
19	02162-0520B	.SCREW	2	
20	13144-93J00	.GUARD, THROTTLE DRUM	1	
21	13583-93J00	.ARM, LINK	1	
22	13583-93J00	.ARM, LINK	1	
23	13555-93J00	.GROMMET, LINK	4	
24	13537-93J00	.WASHER, LINK	4	
25	09204-01004	.PIN	4	
26	13553-93J00	.LEVER, NO.1	1	
27	13554-93J00	.LEVER, NO.2	1	
28	02112-35087	.SCREW	1	
29	09160-05043	.WASHER (5.5X16X1.2)	1	
30	13521-93J00	.LEVER, LINK	1	
31	13514-93J00	.SPACER, LINK SHAFT	1	
32	13599-93J00	.NUT, LINK SHAFT	2	
33	13538-93J00	.WASHER, LINK SHAFT SPRING	2	
34	13541-93J00	.CAM THROTTLE	1	

DF250_E01_016

FIG. 163B

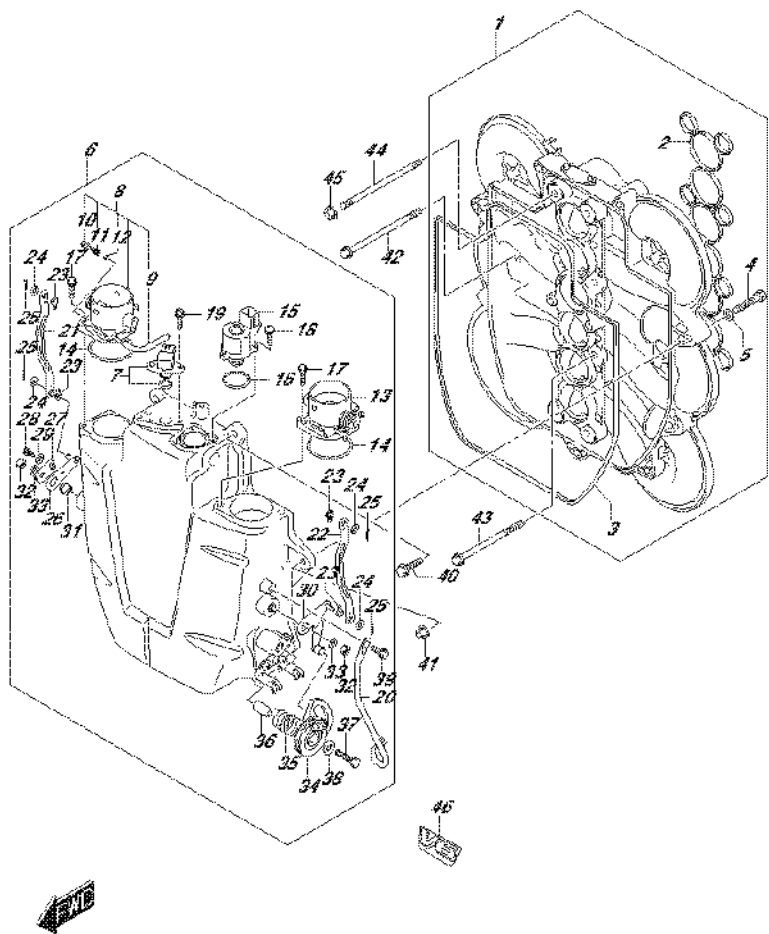
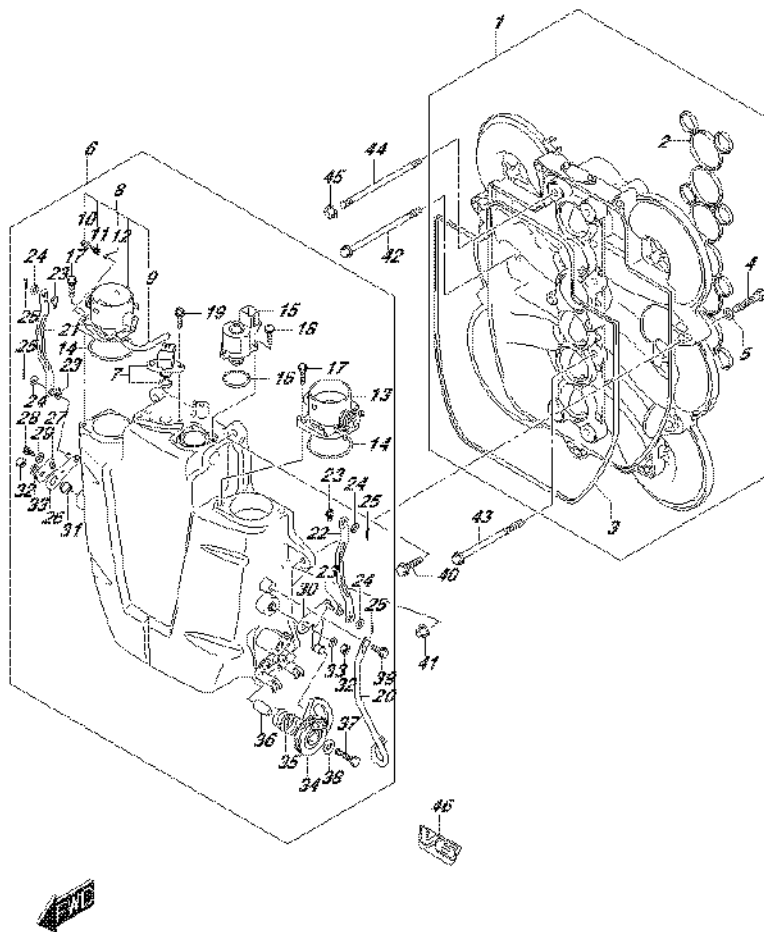


FIG.163B (1-J-10) THROTTLE BODY (DF200T E40)

REF NO.	PART NO.	DESCRIPTION	Q'TY	REMARKS
35	13542-93J00	.SPRING, THROTTLE CAM	1	
36	13543-93J00	.SPACER, THROTTLE CAM	1	
37	01500-06307	.BOLT	1	
38	09160-06036	.WASHER (6.5X18X1.5)	1	
39	01550-06167	.BOLT	2	
40	01550-08307	BOLT	7	
41	08316-10087	NUT	2	
42	09103-08182	BOLT (8X125)	2	
43	09103-08134	BOLT (8X110)	4	
44	09108-08267	STUD BOLT	2	
45	08316-1008A	NUT	2	
46	61436-93J00	MARK, EMBLEM V6	1	

FIG.163C



DF200_E01_016_163C
THROTTLE BODY

FIG.163C (1-J-11) THROTTLE BODY (DF200Z E01)

REF NO.	PART NO.	DESCRIPTION	Q'TY	REMARKS
1	13130-93J30	COLLECTOR	1	
2	13139-93J00	.GASKET, COLLECTOR	1	
3	13147-93J00	.GASKET, COLLECTOR COVER	1	
4	13138-93J00	.BOLT, COLLECTOR	2	
5	08322-01087	.WASHER	2	
6	13140-93J13	COVER, COLLECTOR	1	
7	18590-68H00	.SENSOR, PRESSURE	1	
8	13310-93J01	.BODY ASSY, THROTTLE NO.1	1	
9	13312-93J00	..HOSE, BYPASS AIR	1	
10	13279-10G00	..SCREW, BYPASS AIR	1	
11	13355-93J00	..SPRING, BYPASS AIR	1	
12	13295-10G00	..O RING, BYPASS AIR SCREW	1	
13	13320-93J00	BODY ASSY, THROTTLE NO.2	1	
14	13421-93J00	.GASKET, THROTTLE BODY	2	
15	18137-93J00	.VALVE, IAC	1	
16	09280-29006	.O RING (D:2,ID:29.5)	1	
17	01547-06257	.BOLT	4	
18	02112-3416B	.SCREW	3	
19	02162-0520B	.SCREW	2	
20	13144-93J00	.GUARD, THROTTLE DRUM	1	
21	13583-93J00	.ARM, LINK	1	
22	13583-93J00	.ARM, LINK	1	
23	13555-93J00	.GROMMET, LINK	4	
24	13537-93J00	.WASHER, LINK	4	
25	09204-01004	.PIN	4	
26	13553-93J00	.LEVER, NO.1	1	
27	13554-93J00	.LEVER, NO.2	1	
28	02112-35087	.SCREW	1	
29	09160-05043	.WASHER (5.5X16X1.2)	1	
30	13521-93J00	.LEVER, LINK	1	
31	13514-93J00	.SPACER, LINK SHAFT	1	
32	13599-93J00	.NUT, LINK SHAFT	2	
33	13538-93J00	.WASHER, LINK SHAFT SPRING	2	
34	13541-93J00	.CAM THROTTLE	1	

DF250_E01_016

FIG.163C

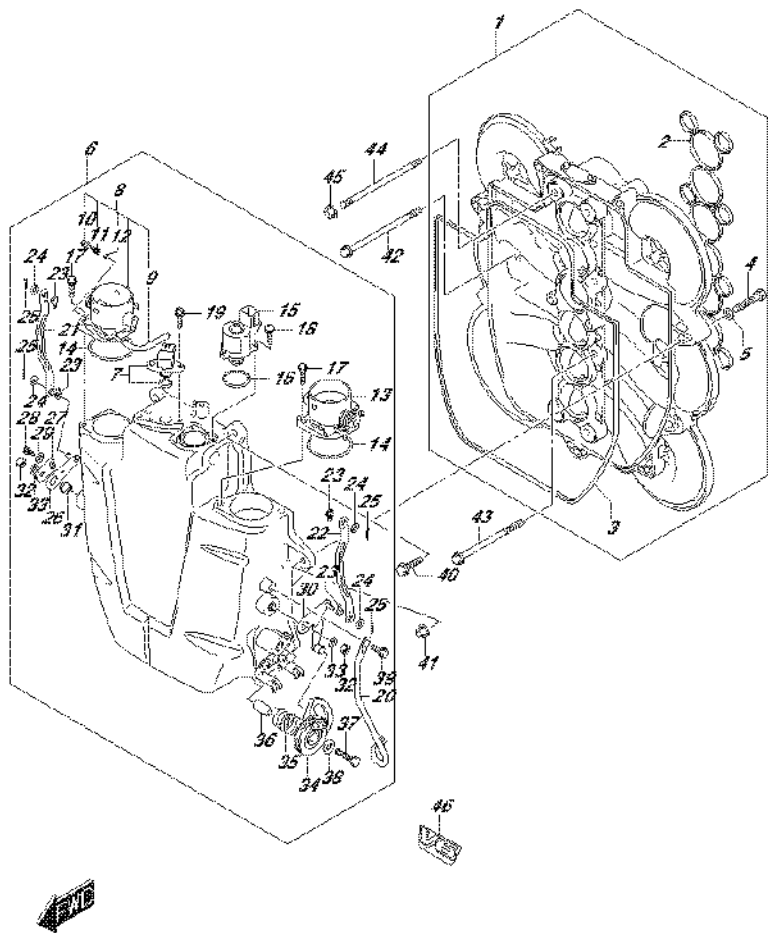


FIG.163C (1-J-12) THROTTLE BODY (DF200Z E01)

REF NO.	PART NO.	DESCRIPTION	Q'TY	REMARKS
35	13542-93J00	.SPRING, THROTTLE CAM	1	
36	13543-93J00	.SPACER, THROTTLE CAM	1	
37	01500-06307	.BOLT	1	
38	09160-06036	.WASHER (6.5X18X1.5)	1	
39	01550-06167	.BOLT	2	
40	01550-08307	BOLT	7	
41	08316-10087	NUT	2	
42	09103-08182	BOLT (8X125)	2	
43	09103-08134	BOLT (8X110)	4	
44	09108-08267	STUD BOLT	2	
45	08316-1008A	NUT	2	
46	61436-93J00	MARK, EMBLEM V6	1	

FIG.163D

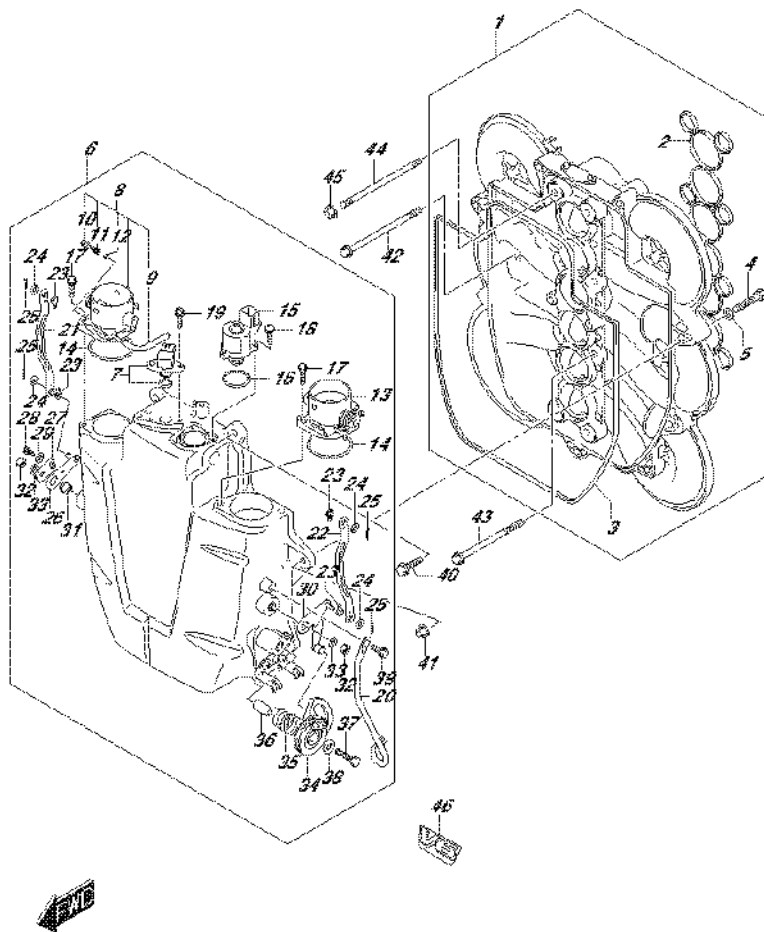


FIG.163D (1-J-13) THROTTLE BODY (DF200Z E40)

REF NO.	PART NO.	DESCRIPTION	Q'TY	REMARKS
1	13130-93J30	COLLECTOR	1	
2	13139-93J00	.GASKET, COLLECTOR	1	
3	13147-93J00	.GASKET, COLLECTOR COVER	1	
4	13138-93J00	.BOLT, COLLECTOR	2	
5	08322-01087	.WASHER	2	
6	13140-93J13	COVER, COLLECTOR	1	
7	18590-68H00	.SENSOR, PRESSURE	1	
8	13310-93J01	.BODY ASSY, THROTTLE NO.1	1	
9	13312-93J00	..HOSE, BYPASS AIR	1	
10	13279-10G00	..SCREW, BYPASS AIR	1	
11	13355-93J00	..SPRING, BYPASS AIR	1	
12	13295-10G00	..O RING, BYPASS AIR SCREW	1	
13	13320-93J00	BODY ASSY, THROTTLE NO.2	1	
14	13421-93J00	.GASKET, THROTTLE BODY	2	
15	18137-93J00	.VALVE, IAC	1	
16	09280-29006	.O RING (D:2,ID:29.5)	1	
17	01547-06257	.BOLT	4	
18	02112-3416B	.SCREW	3	
19	02162-0520B	.SCREW	2	
20	13144-93J00	.GUARD, THROTTLE DRUM	1	
21	13583-93J00	.ARM, LINK	1	
22	13583-93J00	.ARM, LINK	1	
23	13555-93J00	.GROMMET, LINK	4	
24	13537-93J00	.WASHER, LINK	4	
25	09204-01004	.PIN	4	
26	13553-93J00	.LEVER, NO.1	1	
27	13554-93J00	.LEVER, NO.2	1	
28	02112-35087	.SCREW	1	
29	09160-05043	.WASHER (5.5X16X1.2)	1	
30	13521-93J00	.LEVER, LINK	1	
31	13514-93J00	.SPACER, LINK SHAFT	1	
32	13599-93J00	.NUT, LINK SHAFT	2	
33	13538-93J00	.WASHER, LINK SHAFT SPRING	2	
34	13541-93J00	.CAM THROTTLE	1	

FIG.163D

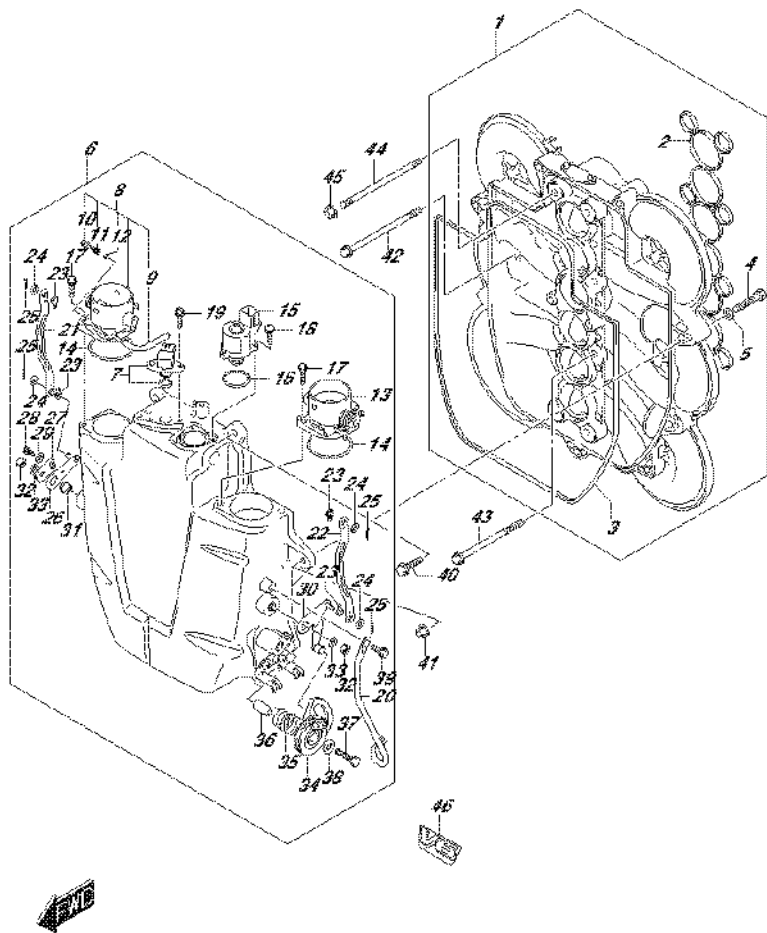


FIG.163D (1-J-14) THROTTLE BODY (DF200Z E40)

REF NO.	PART NO.	DESCRIPTION	Q'TY	REMARKS
35	13542-93J00	.SPRING, THROTTLE CAM	1	
36	13543-93J00	.SPACER, THROTTLE CAM	1	
37	01500-06307	.BOLT	1	
38	09160-06036	.WASHER (6.5X18X1.5)	1	
39	01550-06167	.BOLT	2	
40	01550-08307	BOLT	7	
41	08316-10087	NUT	2	
42	09103-08182	BOLT (8X125)	2	
43	09103-08134	BOLT (8X110)	4	
44	09108-08267	STUD BOLT	2	
45	08316-1008A	NUT	2	
46	61436-93J00	MARK, EMBLEM V6	1	

FIG.163E

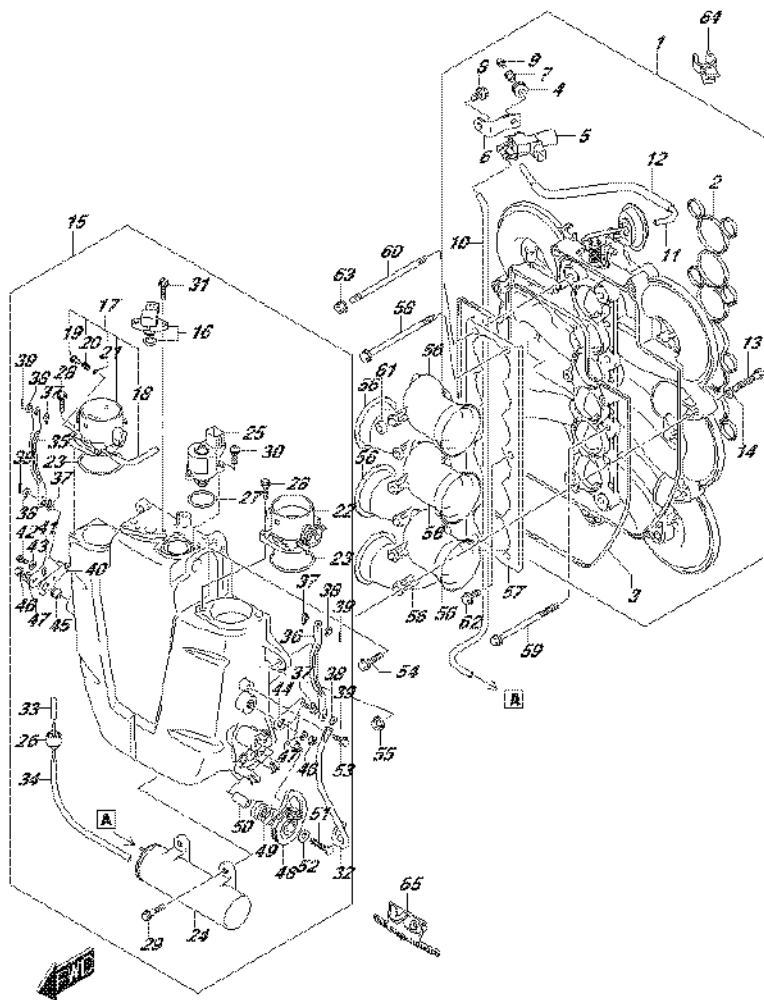


FIG.163E (1-J-15) THROTTLE BODY (DF250T E01)

REF NO.	PART NO.	DESCRIPTION	Q'TY	REMARKS
1	13130-93J21	COLLECTOR	1	
2	13139-93J00	.GASKET, COLLECTOR	1	
3	13147-93J00	.GASKET, COLLECTOR COVER	1	
4	18116-93J00	.CUSHION, VACUUM VALVE	1	
5	18117-93J00	.VALVE, VACUUM SWITCHING	1	
6	18119-93J00	.BRACKET, VACUUM VALVE	1	
7	09169-05018	.WASHER	1	
8	01550-08167	.BOLT	1	
9	02112-0512A	.SCREW	1	
10	09355-35754-00B	.HOSE (3.5X7.5X2000)	1	L:2000->610
11	09355-35754-601	.HOSE (3.5X7.5X601)	1	L:601->160
12	18498-90J00	.PROTECTOR	1	L:290->140
13	13138-93J00	.BOLT, COLLECTOR	2	
14	08322-01087	.WASHER	2	
15	13140-93J03	COVER, COLLECTOR	1	
16	18590-68H00	.SENSOR, PRESSURE	1	
17	13310-93J01	.BODY ASSY, THROTTLE NO.1	1	
18	13312-93J00	..HOSE, BYPASS AIR	1	
19	13279-10G00	..SCREW, BYPASS AIR	1	
20	13355-93J00	..SPRING, BYPASS AIR	1	
21	13295-10G00	..O RING, BYPASS AIR SCREW	1	
22	13320-93J00	.BODY ASSY, THROTTLE NO.2	1	
23	13421-93J00	.GASKET, THROTTLE BODY	2	
24	13730-93J00	.CHAMBER, VACUUM	1	
25	18137-93J00	.VALVE, IAC	1	
26	95569-78040	.VALVE, CHECK	1	
27	09280-29006	.O RING (D:2, ID:29.5)	1	
28	01547-06257	.BOLT	4	
29	01550-06307	.BOLT	2	
30	02112-3416B	.SCREW	3	
31	02162-0520B	.SCREW	2	
32	13144-93J00	.GUARD, THROTTLE DRUM	1	
33	09355-35754-601	.HOSE (3.5X7.5X601)	1	L:601->30
34	09355-35754-00B	.HOSE (3.5X7.5X2000)	1	L:2000->165

FIG.163E

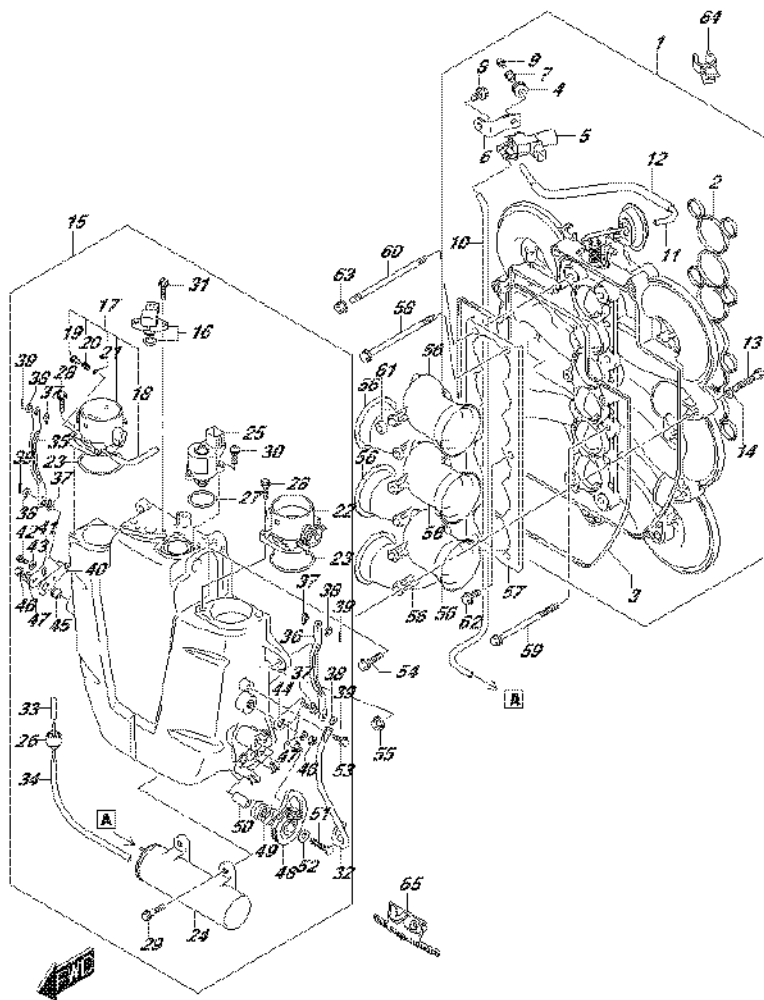


FIG.163E (1-K-2) THROTTLE BODY (DF225T E01)

REF NO.	PART NO.	DESCRIPTION	Q'TY	REMARKS
35	13583-93J00	.ARM, LINK	1	
36	13583-93J00	.ARM, LINK	1	
37	13555-93J00	.GROMMET, LINK	4	
38	13537-93J00	.WASHER, LINK	4	
39	09204-01004	.PIN	4	
40	13553-93J00	.LEVER, NO.1	1	
41	13554-93J00	.LEVER, NO.2	1	
42	02112-35087	.SCREW	1	
43	09160-05043	.WASHER (5.5X16X1.2)	1	
44	13521-93J00	.LEVER, LINK	1	
45	13514-93J00	.SPACER, LINK SHAFT	1	
46	13599-93J00	.NUT, LINK SHAFT	2	
47	13538-93J00	.WASHER, LINK SHAFT SPRING	2	
48	13541-93J00	.CAM THROTTLE	1	
49	13542-93J00	.SPRING, THROTTLE CAM	1	
50	13543-93J00	.SPACER, THROTTLE CAM	1	
51	01500-06307	.BOLT	1	
52	09160-06036	.WASHER (6.5X18X1.5)	1	
53	01550-06167	.BOLT	2	
54	01550-08307	BOLT	7	
55	08316-10087	NUT	2	
56	13132-93J00	FUNNEL, COLLECTOR	6	
57	13133-93J00	BRACKET, COLLECTOR FUNNEL	1	
58	09103-08182	BOLT (8X125)	2	
59	09103-08134	BOLT (8X110)	4	
60	09108-08267	STUD BOLT	2	
61	09329-06002	CUSHION	6	
62	01550-0820A	BOLT	2	
63	08316-1008A	NUT	2	
64	09408-00060	CLAMP	1	
65	61436-93J10	MARK, EMBLEM V6 (MSI)	1	

FIG.163F

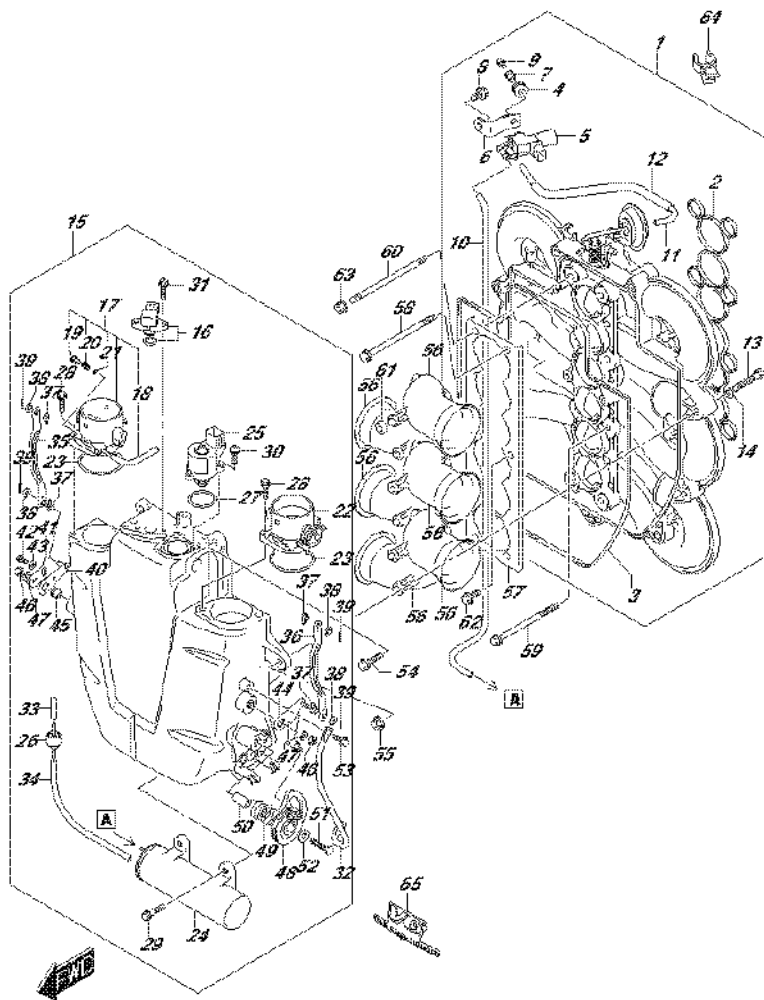


FIG.163F (1-K-3) THROTTLE BODY (DF225T E40)

REF NO.	PART NO.	DESCRIPTION	Q'TY	REMARKS
1	13130-93J21	COLLECTOR	1	
2	13139-93J00	.GASKET, COLLECTOR	1	
3	13147-93J00	.GASKET, COLLECTOR COVER	1	
4	18116-93J00	.CUSHION, VACUUM VALVE	1	
5	18117-93J00	.VALVE, VACUUM SWITCHING	1	
6	18119-93J00	.BRACKET, VACUUM VALVE	1	
7	09169-05018	.WASHER	1	
8	01550-08167	.BOLT	1	
9	02112-0512A	.SCREW	1	
10	09355-35754-00B	.HOSE (3.5X7.5X2000)	1	L:2000->610
11	09355-35754-601	.HOSE (3.5X7.5X601)	1	L:601->160
12	18498-90J00	.PROTECTOR	1	L:290->140
13	13138-93J00	.BOLT, COLLECTOR	2	
14	08322-01087	.WASHER	2	
15	13140-93J03	COVER, COLLECTOR	1	
16	18590-68H00	.SENSOR, PRESSURE	1	
17	13310-93J01	.BODY ASSY, THROTTLE NO.1	1	
18	13312-93J00	..HOSE, BYPASS AIR	1	
19	13279-10G00	..SCREW, BYPASS AIR	1	
20	13355-93J00	..SPRING, BYPASS AIR	1	
21	13295-10G00	..O RING, BYPASS AIR SCREW	1	
22	13320-93J00	.BODY ASSY, THROTTLE NO.2	1	
23	13421-93J00	.GASKET, THROTTLE BODY	2	
24	13730-93J00	.CHAMBER, VACUUM	1	
25	18137-93J00	.VALVE, IAC	1	
26	95569-78040	.VALVE, CHECK	1	
27	09280-29006	.O RING (D:2, ID:29.5)	1	
28	01547-06257	.BOLT	4	
29	01550-06307	.BOLT	2	
30	02112-3416B	.SCREW	3	
31	02162-0520B	.SCREW	2	
32	13144-93J00	.GUARD, THROTTLE DRUM	1	
33	09355-35754-601	.HOSE (3.5X7.5X601)	1	L:601->30
34	09355-35754-00B	.HOSE (3.5X7.5X2000)	1	L:2000->165

FIG.163F

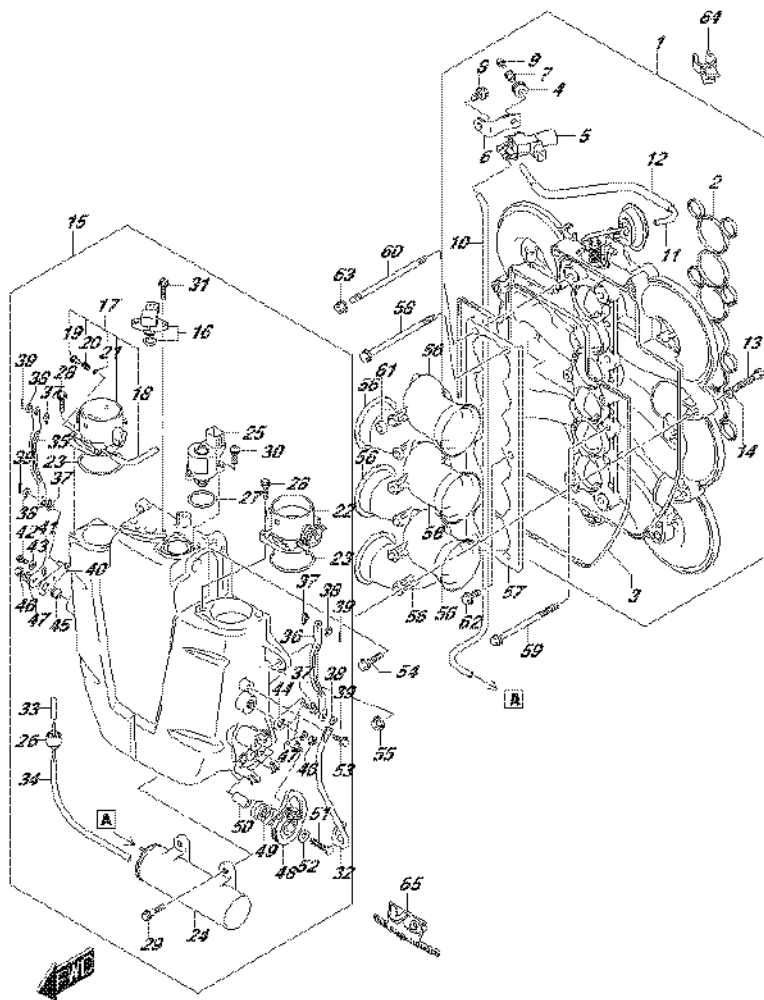
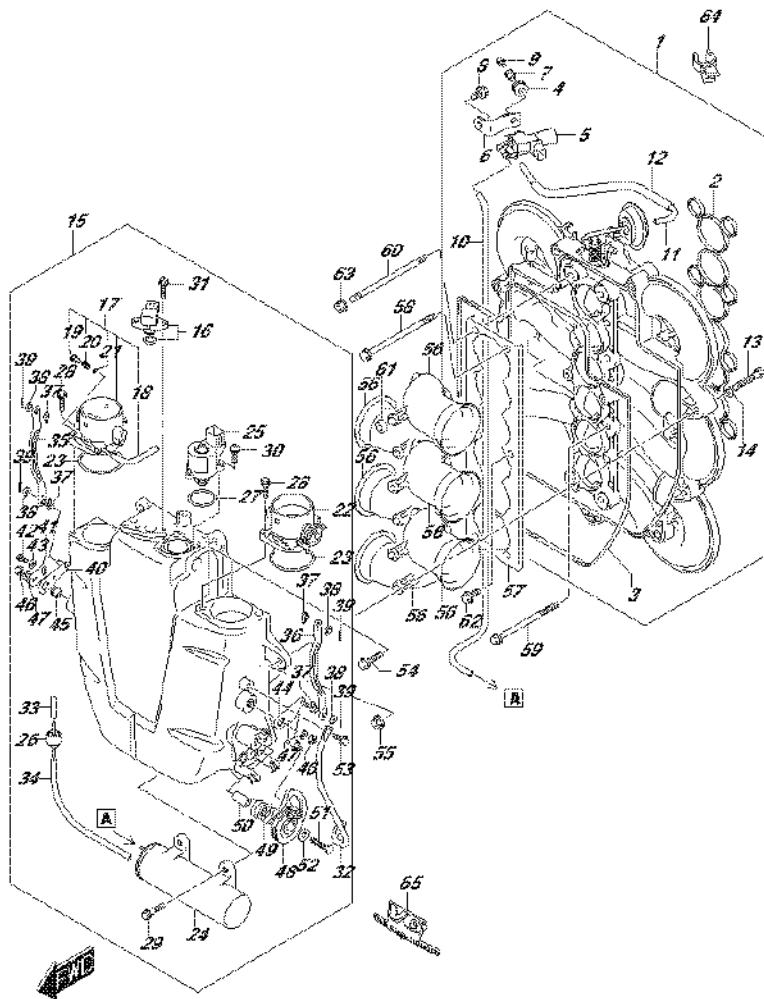


FIG.163F (1-K-4) THROTTLE BODY (DF225T E40)

REF NO.	PART NO.	DESCRIPTION	Q'TY	REMARKS
35	13583-93J00	.ARM, LINK	1	
36	13583-93J00	.ARM, LINK	1	
37	13555-93J00	.GROMMET, LINK	4	
38	13537-93J00	.WASHER, LINK	4	
39	09204-01004	.PIN	4	
40	13553-93J00	.LEVER, NO.1	1	
41	13554-93J00	.LEVER, NO.2	1	
42	02112-35087	.SCREW	1	
43	09160-05043	.WASHER (5.5X16X1.2)	1	
44	13521-93J00	.LEVER, LINK	1	
45	13514-93J00	.SPACER, LINK SHAFT	1	
46	13599-93J00	.NUT, LINK SHAFT	2	
47	13538-93J00	.WASHER, LINK SHAFT SPRING	2	
48	13541-93J00	.CAM THROTTLE	1	
49	13542-93J00	.SPRING, THROTTLE CAM	1	
50	13543-93J00	.SPACER, THROTTLE CAM	1	
51	01500-06307	.BOLT	1	
52	09160-06036	.WASHER (6.5X18X1.5)	1	
53	01550-06167	.BOLT	2	
54	01550-08307	BOLT	7	
55	08316-10087	NUT	2	
56	13132-93J00	FUNNEL, COLLECTOR	6	
57	13133-93J00	BRACKET, COLLECTOR FUNNEL	1	
58	09103-08182	BOLT (8X125)	2	
59	09103-08134	BOLT (8X110)	4	
60	09108-08267	STUD BOLT	2	
61	09329-06002	CUSHION	6	
62	01550-0820A	BOLT	2	
63	08316-1008A	NUT	2	
64	09408-00060	CLAMP	1	
65	61436-93J10	MARK, EMBLEM V6 (MSI)	1	

FIG.163G



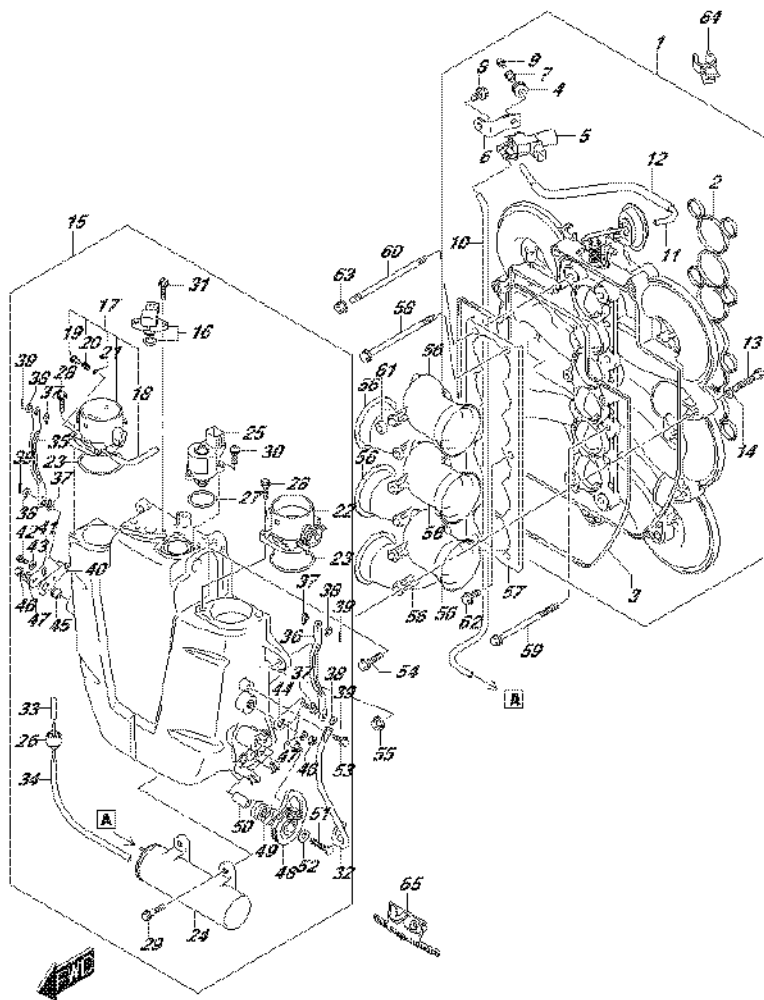
DF25Z_E01_016_163G
THROTTLE BODY

FIG.163G (1-K-5) THROTTLE BODY (DF25Z E01)

REF NO.	PART NO.	DESCRIPTION	Q'TY	REMARKS
1	13130-93J21	COLLECTOR	1	
2	13139-93J00	.GASKET, COLLECTOR	1	
3	13147-93J00	.GASKET, COLLECTOR COVER	1	
4	18116-93J00	.CUSHION, VACUUM VALVE	1	
5	18117-93J00	.VALVE, VACUUM SWITCHING	1	
6	18119-93J00	.BRACKET, VACUUM VALVE	1	
7	09169-05018	.WASHER	1	
8	01550-08167	.BOLT	1	
9	02112-0512A	.SCREW	1	
10	09355-35754-00B	.HOSE (3.5X7.5X2000)	1	L:2000->610
11	09355-35754-601	.HOSE (3.5X7.5X601)	1	L:601->160
12	18498-90J00	.PROTECTOR	1	L:290->140
13	13138-93J00	.BOLT, COLLECTOR	2	
14	08322-01087	.WASHER	2	
15	13140-93J03	COVER, COLLECTOR	1	
16	18590-68H00	.SENSOR, PRESSURE	1	
17	13310-93J01	.BODY ASSY, THROTTLE NO.1	1	
18	13312-93J00	..HOSE, BYPASS AIR	1	
19	13279-10G00	..SCREW, BYPASS AIR	1	
20	13355-93J00	..SPRING, BYPASS AIR	1	
21	13295-10G00	..O RING, BYPASS AIR SCREW	1	
22	13320-93J00	.BODY ASSY, THROTTLE NO.2	1	
23	13421-93J00	.GASKET, THROTTLE BODY	2	
24	13730-93J00	.CHAMBER, VACUUM	1	
25	18137-93J00	.VALVE, IAC	1	
26	95569-78040	.VALVE, CHECK	1	
27	09280-29006	.O RING (D:2, ID:29.5)	1	
28	01547-06257	.BOLT	4	
29	01550-06307	.BOLT	2	
30	02112-3416B	.SCREW	3	
31	02162-0520B	.SCREW	2	
32	13144-93J00	.GUARD, THROTTLE DRUM	1	
33	09355-35754-601	.HOSE (3.5X7.5X601)	1	L:601->30
34	09355-35754-00B	.HOSE (3.5X7.5X2000)	1	L:2000->165

DF250_E01_016

FIG.163G



DF25Z_E01_016_163G
THROTTLE BODY

FIG.163G (1-K-6) THROTTLE BODY (DF25Z E01)

REF NO.	PART NO.	DESCRIPTION	Q'TY	REMARKS
35	13583-93J00	.ARM, LINK	1	
36	13583-93J00	.ARM, LINK	1	
37	13555-93J00	.GROMMET, LINK	4	
38	13537-93J00	.WASHER, LINK	4	
39	09204-01004	.PIN	4	
40	13553-93J00	.LEVER, NO.1	1	
41	13554-93J00	.LEVER, NO.2	1	
42	02112-35087	.SCREW	1	
43	09160-05043	.WASHER (5.5X16X1.2)	1	
44	13521-93J00	.LEVER, LINK	1	
45	13514-93J00	.SPACER, LINK SHAFT	1	
46	13599-93J00	.NUT, LINK SHAFT	2	
47	13538-93J00	.WASHER, LINK SHAFT SPRING	2	
48	13541-93J00	.CAM THROTTLE	1	
49	13542-93J00	.SPRING, THROTTLE CAM	1	
50	13543-93J00	.SPACER, THROTTLE CAM	1	
51	01500-06307	.BOLT	1	
52	09160-06036	.WASHER (6.5X18X1.5)	1	
53	01550-06167	.BOLT	2	
54	01550-08307	BOLT	7	
55	08316-10087	NUT	2	
56	13132-93J00	FUNNEL, COLLECTOR	6	
57	13133-93J00	BRACKET, COLLECTOR FUNNEL	1	
58	09103-08182	BOLT (8X125)	2	
59	09103-08134	BOLT (8X110)	4	
60	09108-08267	STUD BOLT	2	
61	09329-06002	CUSHION	6	
62	01550-0820A	BOLT	2	
63	08316-1008A	NUT	2	
64	09408-00060	CLAMP	1	
65	61436-93J10	MARK, EMBLEM V6 (MSI)	1	

FIG.163H

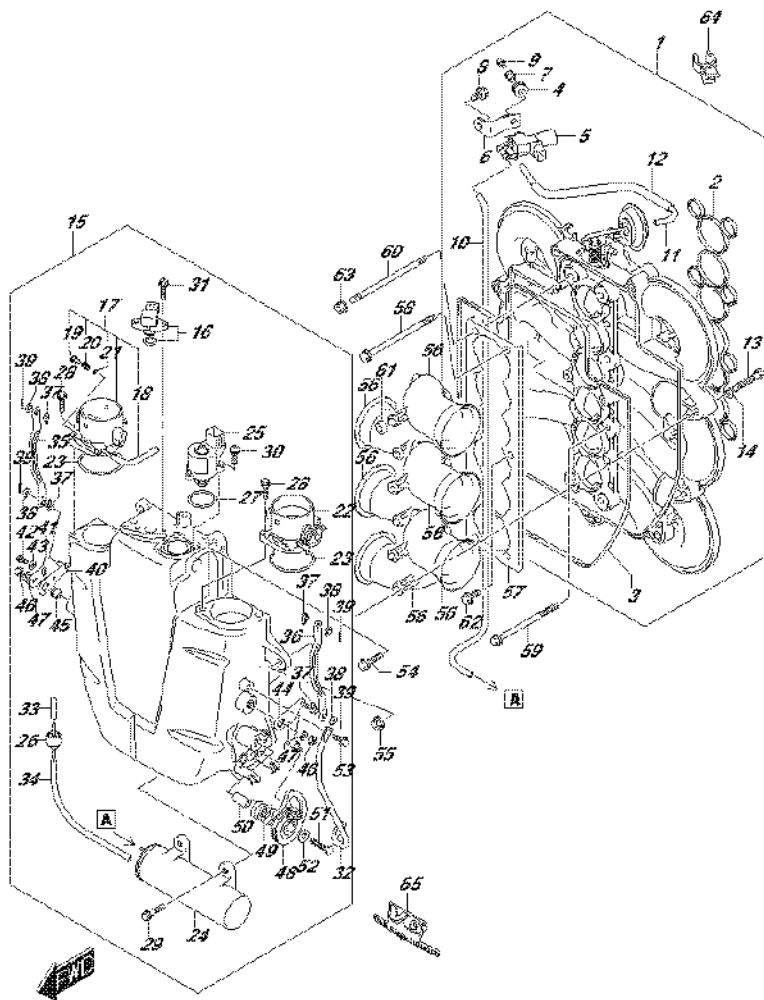


FIG.163H (1-K-7) THROTTLE BODY (DF250Z E40)

REF NO.	PART NO.	DESCRIPTION	Q'TY	REMARKS
1	13130-93J21	COLLECTOR	1	
2	13139-93J00	.GASKET, COLLECTOR	1	
3	13147-93J00	.GASKET, COLLECTOR COVER	1	
4	18116-93J00	.CUSHION, VACUUM VALVE	1	
5	18117-93J00	.VALVE, VACUUM SWITCHING	1	
6	18119-93J00	.BRACKET, VACUUM VALVE	1	
7	09169-05018	.WASHER	1	
8	01550-08167	.BOLT	1	
9	02112-0512A	.SCREW	1	
10	09355-35754-00B	.HOSE (3.5X7.5X2000)	1	L:2000->610
11	09355-35754-601	.HOSE (3.5X7.5X601)	1	L:601->160
12	18498-90J00	.PROTECTOR	1	L:290->140
13	13138-93J00	.BOLT, COLLECTOR	2	
14	08322-01087	.WASHER	2	
15	13140-93J03	COVER, COLLECTOR	1	
16	18590-68H00	.SENSOR, PRESSURE	1	
17	13310-93J01	.BODY ASSY, THROTTLE NO.1	1	
18	13312-93J00	..HOSE, BYPASS AIR	1	
19	13279-10G00	..SCREW, BYPASS AIR	1	
20	13355-93J00	..SPRING, BYPASS AIR	1	
21	13295-10G00	..O RING, BYPASS AIR SCREW	1	
22	13320-93J00	.BODY ASSY, THROTTLE NO.2	1	
23	13421-93J00	.GASKET, THROTTLE BODY	2	
24	13730-93J00	.CHAMBER, VACUUM	1	
25	18137-93J00	.VALVE, IAC	1	
26	95569-78040	.VALVE, CHECK	1	
27	09280-29006	.O RING (D:2, ID:29.5)	1	
28	01547-06257	.BOLT	4	
29	01550-06307	.BOLT	2	
30	02112-3416B	.SCREW	3	
31	02162-0520B	.SCREW	2	
32	13144-93J00	.GUARD, THROTTLE DRUM	1	
33	09355-35754-601	.HOSE (3.5X7.5X601)	1	L:601->30
34	09355-35754-00B	.HOSE (3.5X7.5X2000)	1	L:2000->165

FIG.163H

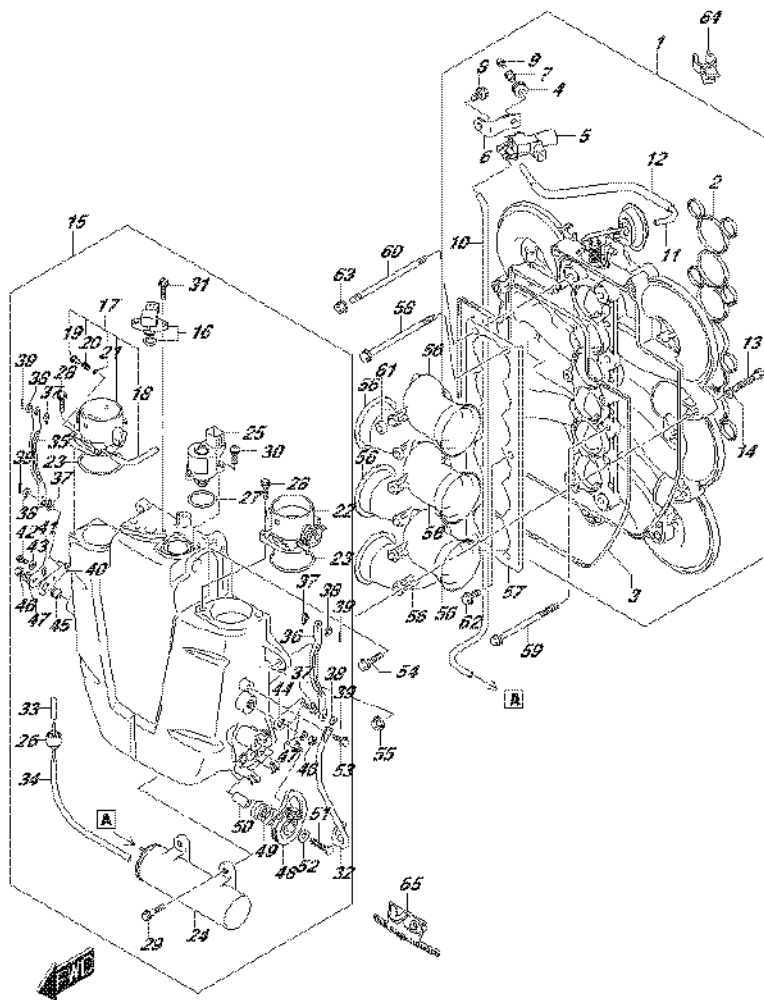


FIG.163H (1-K-8) THROTTLE BODY (DF225Z E40)

REF NO.	PART NO.	DESCRIPTION	Q'TY	REMARKS
35	13583-93J00	ARM, LINK	1	
36	13583-93J00	ARM, LINK	1	
37	13555-93J00	.GROMMET, LINK	4	
38	13537-93J00	.WASHER, LINK	4	
39	09204-01004	.PIN	4	
40	13553-93J00	.LEVER, NO.1	1	
41	13554-93J00	.LEVER, NO.2	1	
42	02112-35087	.SCREW	1	
43	09160-05043	.WASHER (5.5X16X1.2)	1	
44	13521-93J00	.LEVER, LINK	1	
45	13514-93J00	.SPACER, LINK SHAFT	1	
46	13599-93J00	.NUT, LINK SHAFT	2	
47	13538-93J00	.WASHER, LINK SHAFT SPRING	2	
48	13541-93J00	.CAM THROTTLE	1	
49	13542-93J00	.SPRING, THROTTLE CAM	1	
50	13543-93J00	.SPACER, THROTTLE CAM	1	
51	01500-06307	.BOLT	1	
52	09160-06036	.WASHER (6.5X18X1.5)	1	
53	01550-06167	.BOLT	2	
54	01550-08307	BOLT	7	
55	08316-10087	NUT	2	
56	13132-93J00	FUNNEL, COLLECTOR	6	
57	13133-93J00	BRACKET, COLLECTOR FUNNEL	1	
58	09103-08182	BOLT (8X125)	2	
59	09103-08134	BOLT (8X110)	4	
60	09108-08267	STUD BOLT	2	
61	09329-06002	CUSHION	6	
62	01550-0820A	BOLT	2	
63	08316-1008A	NUT	2	
64	09408-00060	CLAMP	1	
65	61436-93J10	MARK, EMBLEM V6 (MSI)	1	

FIG.163J

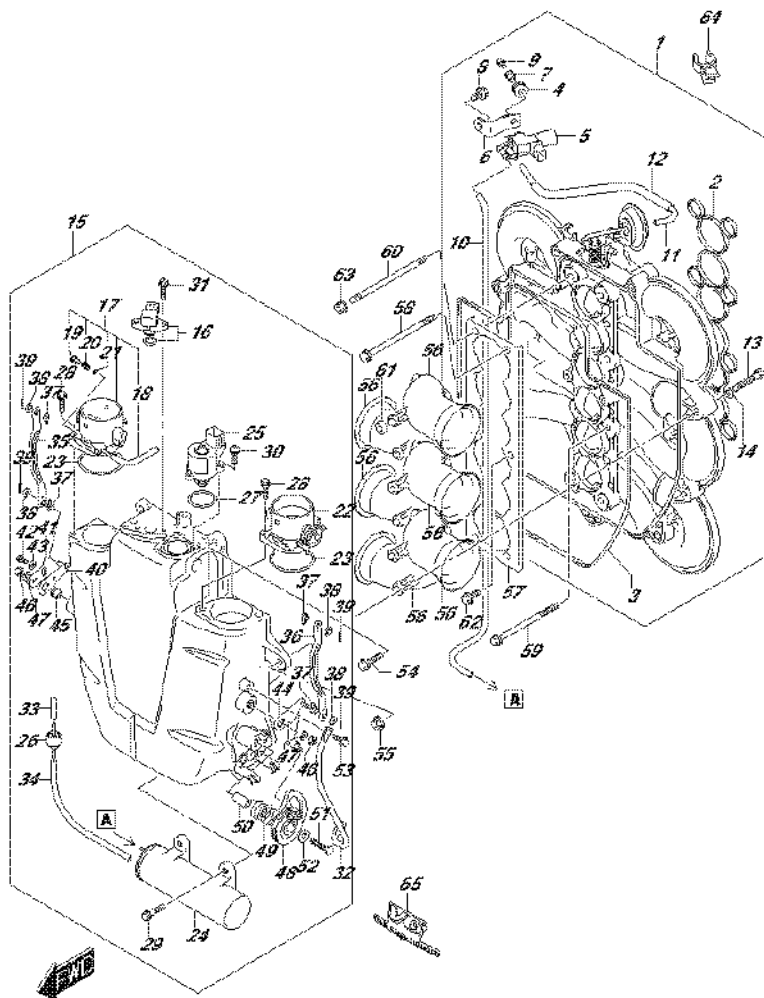


FIG.163J (1-K-9) THROTTLE BODY (DF250T E01)

REF NO.	PART NO.	DESCRIPTION	Q'TY	REMARKS
1	13130-93J21	COLLECTOR	1	
2	13139-93J00	.GASKET, COLLECTOR	1	
3	13147-93J00	.GASKET, COLLECTOR COVER	1	
4	18116-93J00	.CUSHION, VACUUM VALVE	1	
5	18117-93J00	.VALVE, VACUUM SWITCHING	1	
6	18119-93J00	.BRACKET, VACUUM VALVE	1	
7	09169-05018	.WASHER	1	
8	01550-08167	.BOLT	1	
9	02112-0512A	.SCREW	1	
10	09355-35754-00B	.HOSE (3.5X7.5X2000)	1	L:2000->610
11	09355-35754-601	.HOSE (3.5X7.5X601)	1	L:601->160
12	18498-90J00	.PROTECTOR	1	L:290->140
13	13138-93J00	.BOLT, COLLECTOR	2	
14	08322-01087	.WASHER	2	
15	13140-93J03	COVER, COLLECTOR	1	
16	18590-68H00	.SENSOR, PRESSURE	1	
17	13310-93J01	.BODY ASSY, THROTTLE NO.1	1	
18	13312-93J00	..HOSE, BYPASS AIR	1	
19	13279-10G00	..SCREW, BYPASS AIR	1	
20	13355-93J00	..SPRING, BYPASS AIR	1	
21	13295-10G00	..O RING, BYPASS AIR SCREW	1	
22	13320-93J00	.BODY ASSY, THROTTLE NO.2	1	
23	13421-93J00	.GASKET, THROTTLE BODY	2	
24	13730-93J00	.CHAMBER, VACUUM	1	
25	18137-93J00	.VALVE, IAC	1	
26	95569-78040	.VALVE, CHECK	1	
27	09280-29006	.O RING (D:2, ID:29.5)	1	
28	01547-06257	.BOLT	4	
29	01550-06307	.BOLT	2	
30	02112-3416B	.SCREW	3	
31	02162-0520B	.SCREW	2	
32	13144-93J00	.GUARD, THROTTLE DRUM	1	
33	09355-35754-601	.HOSE (3.5X7.5X601)	1	L:601->30
34	09355-35754-00B	.HOSE (3.5X7.5X2000)	1	L:2000->165

FIG.163J

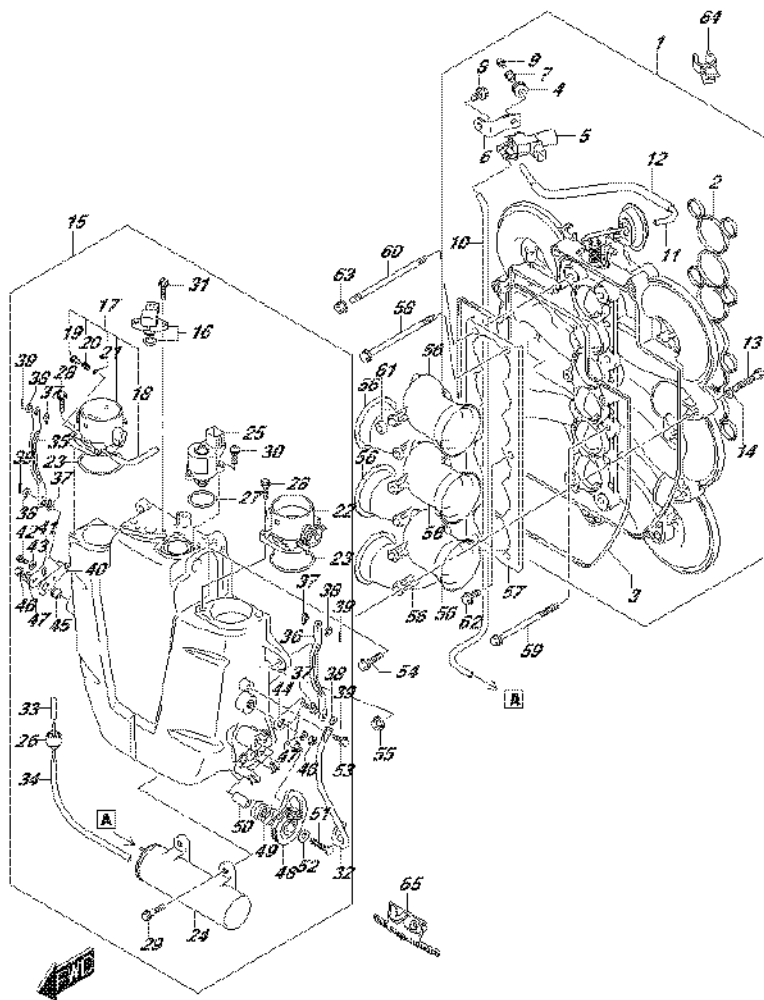


FIG.163J (1-K-10) THROTTLE BODY (DF250T E01)

REF NO.	PART NO.	DESCRIPTION	Q'TY	REMARKS
35	13583-93J00	.ARM, LINK	1	
36	13583-93J00	.ARM, LINK	1	
37	13555-93J00	.GROMMET, LINK	4	
38	13537-93J00	.WASHER, LINK	4	
39	09204-01004	.PIN	4	
40	13553-93J00	.LEVER, NO.1	1	
41	13554-93J00	.LEVER, NO.2	1	
42	02112-35087	.SCREW	1	
43	09160-05043	.WASHER (5.5X16X1.2)	1	
44	13521-93J00	.LEVER, LINK	1	
45	13514-93J00	.SPACER, LINK SHAFT	1	
46	13599-93J00	.NUT, LINK SHAFT	2	
47	13538-93J00	.WASHER, LINK SHAFT SPRING	2	
48	13541-93J00	.CAM THROTTLE	1	
49	13542-93J00	.SPRING, THROTTLE CAM	1	
50	13543-93J00	.SPACER, THROTTLE CAM	1	
51	01500-06307	.BOLT	1	
52	09160-06036	.WASHER (6.5X18X1.5)	1	
53	01550-06167	.BOLT	2	
54	01550-08307	BOLT	7	
55	08316-10087	NUT	2	
56	13132-93J00	FUNNEL, COLLECTOR	6	
57	13133-93J00	BRACKET, COLLECTOR FUNNEL	1	
58	09103-08182	BOLT (8X125)	2	
59	09103-08134	BOLT (8X110)	4	
60	09108-08267	STUD BOLT	2	
61	09329-06002	CUSHION	6	
62	01550-0820A	BOLT	2	
63	08316-1008A	NUT	2	
64	09408-00060	CLAMP	1	
65	61436-93J10	MARK, EMBLEM V6 (MSI)	1	

FIG.163K

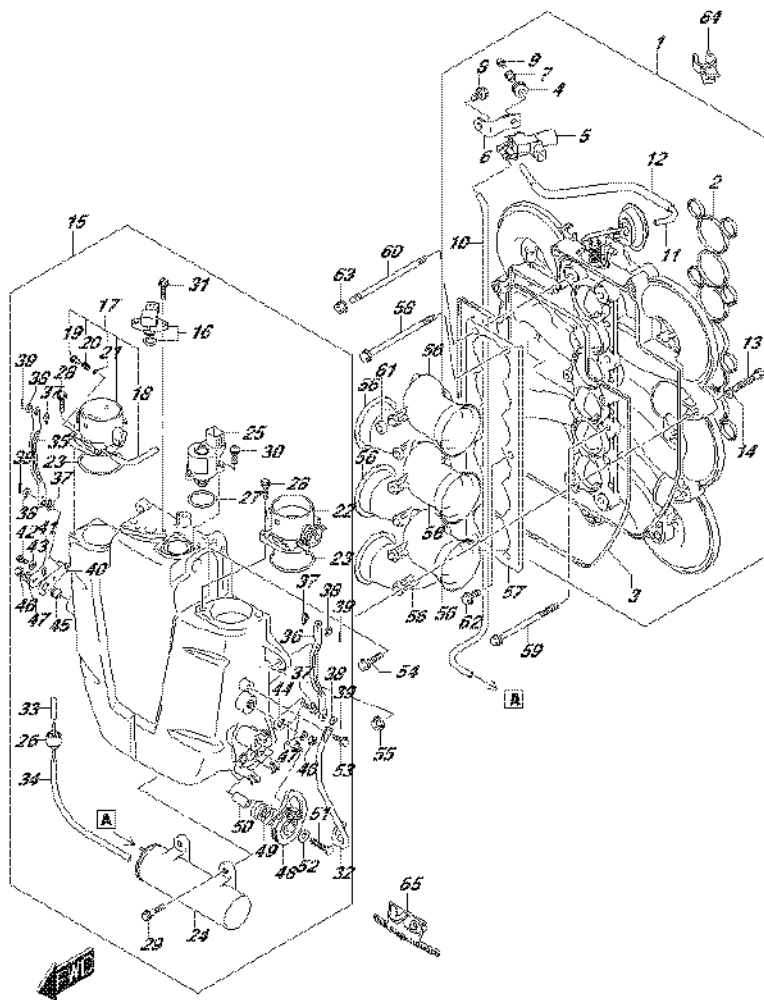


FIG.163K (1-K-11) THROTTLE BODY (DF250T E40)

REF NO.	PART NO.	DESCRIPTION	Q'TY	REMARKS
1	13130-93J21	COLLECTOR	1	
2	13139-93J00	.GASKET, COLLECTOR	1	
3	13147-93J00	.GASKET, COLLECTOR COVER	1	
4	18116-93J00	.CUSHION, VACUUM VALVE	1	
5	18117-93J00	.VALVE, VACUUM SWITCHING	1	
6	18119-93J00	.BRACKET, VACUUM VALVE	1	
7	09169-05018	.WASHER	1	
8	01550-08167	.BOLT	1	
9	02112-0512A	.SCREW	1	
10	09355-35754-00B	.HOSE (3.5X7.5X2000)	1	L:2000->610
11	09355-35754-601	.HOSE (3.5X7.5X601)	1	L:601->160
12	18498-90J00	.PROTECTOR	1	L:290->140
13	13138-93J00	.BOLT, COLLECTOR	2	
14	08322-01087	.WASHER	2	
15	13140-93J03	COVER, COLLECTOR	1	
16	18590-68H00	.SENSOR, PRESSURE	1	
17	13310-93J01	.BODY ASSY, THROTTLE NO.1	1	
18	13312-93J00	..HOSE, BYPASS AIR	1	
19	13279-10G00	..SCREW, BYPASS AIR	1	
20	13355-93J00	..SPRING, BYPASS AIR	1	
21	13295-10G00	..O RING, BYPASS AIR SCREW	1	
22	13320-93J00	.BODY ASSY, THROTTLE NO.2	1	
23	13421-93J00	.GASKET, THROTTLE BODY	2	
24	13730-93J00	.CHAMBER, VACUUM	1	
25	18137-93J00	.VALVE, IAC	1	
26	95569-78040	.VALVE, CHECK	1	
27	09280-29006	.O RING (D:2, ID:29.5)	1	
28	01547-06257	.BOLT	4	
29	01550-06307	.BOLT	2	
30	02112-3416B	.SCREW	3	
31	02162-0520B	.SCREW	2	
32	13144-93J00	.GUARD, THROTTLE DRUM	1	
33	09355-35754-601	.HOSE (3.5X7.5X601)	1	L:601->30
34	09355-35754-00B	.HOSE (3.5X7.5X2000)	1	L:2000->165

FIG.163K

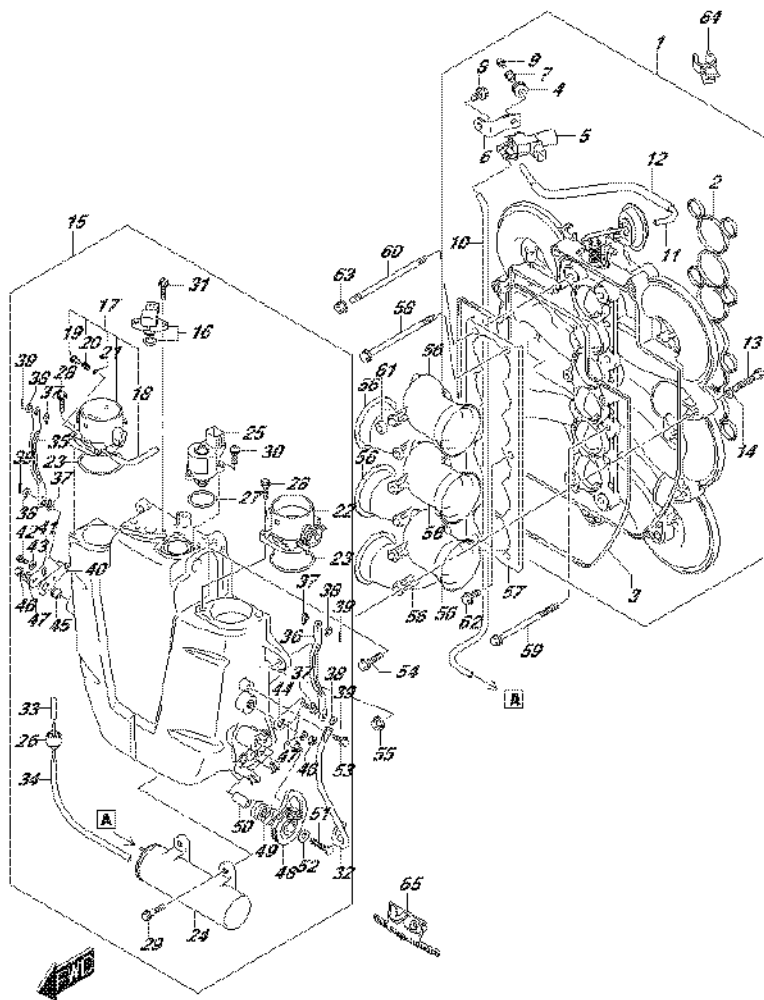


FIG.163K (1-K-12) THROTTLE BODY (DF250T E40)

REF NO.	PART NO.	DESCRIPTION	Q'TY	REMARKS
35	13583-93J00	.ARM, LINK	1	
36	13583-93J00	.ARM, LINK	1	
37	13555-93J00	.GROMMET, LINK	4	
38	13537-93J00	.WASHER, LINK	4	
39	09204-01004	.PIN	4	
40	13553-93J00	.LEVER, NO.1	1	
41	13554-93J00	.LEVER, NO.2	1	
42	02112-35087	.SCREW	1	
43	09160-05043	.WASHER (5.5X16X1.2)	1	
44	13521-93J00	.LEVER, LINK	1	
45	13514-93J00	.SPACER, LINK SHAFT	1	
46	13599-93J00	.NUT, LINK SHAFT	2	
47	13538-93J00	.WASHER, LINK SHAFT SPRING	2	
48	13541-93J00	.CAM THROTTLE	1	
49	13542-93J00	.SPRING, THROTTLE CAM	1	
50	13543-93J00	.SPACER, THROTTLE CAM	1	
51	01500-06307	.BOLT	1	
52	09160-06036	.WASHER (6.5X18X1.5)	1	
53	01550-06167	.BOLT	2	
54	01550-08307	BOLT	7	
55	08316-10087	NUT	2	
56	13132-93J00	FUNNEL, COLLECTOR	6	
57	13133-93J00	BRACKET, COLLECTOR FUNNEL	1	
58	09103-08182	BOLT (8X125)	2	
59	09103-08134	BOLT (8X110)	4	
60	09108-08267	STUD BOLT	2	
61	09329-06002	CUSHION	6	
62	01550-0820A	BOLT	2	
63	08316-1008A	NUT	2	
64	09408-00060	CLAMP	1	
65	61436-93J10	MARK, EMBLEM V6 (MSI)	1	

FIG.163L

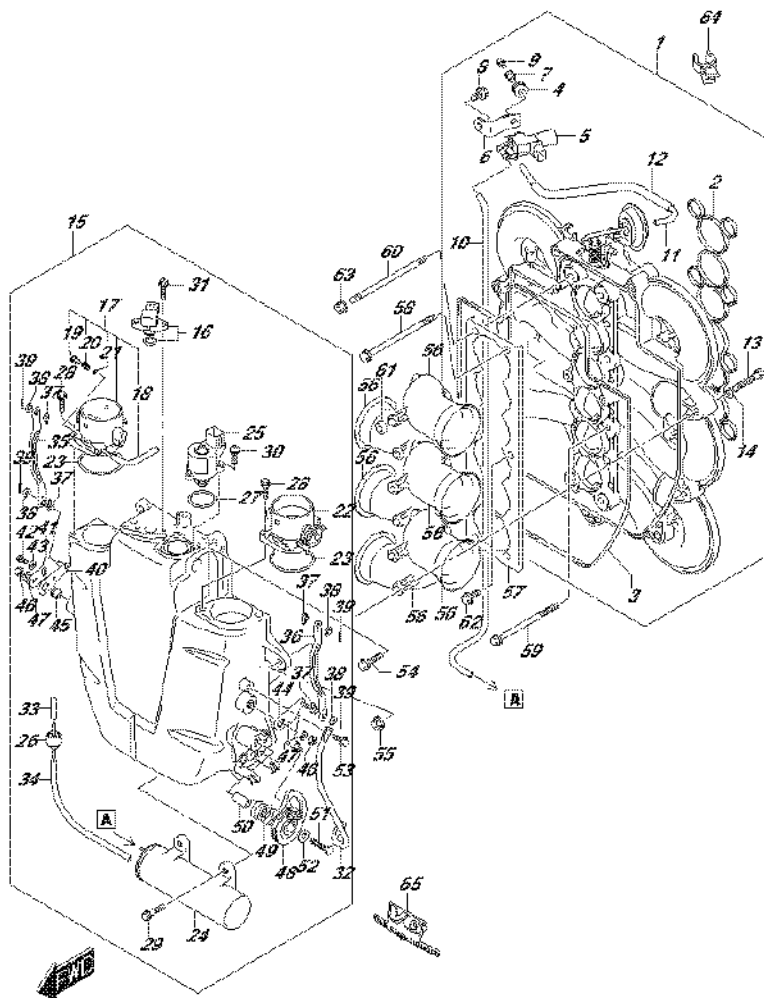


FIG.163L (1-K-13) THROTTLE BODY (DF250Z E01)

REF NO.	PART NO.	DESCRIPTION	Q'TY	REMARKS
1	13130-93J21	COLLECTOR	1	
2	13139-93J00	.GASKET, COLLECTOR	1	
3	13147-93J00	.GASKET, COLLECTOR COVER	1	
4	18116-93J00	.CUSHION, VACUUM VALVE	1	
5	18117-93J00	.VALVE, VACUUM SWITCHING	1	
6	18119-93J00	.BRACKET, VACUUM VALVE	1	
7	09169-05018	.WASHER	1	
8	01550-08167	.BOLT	1	
9	02112-0512A	.SCREW	1	
10	09355-35754-00B	.HOSE (3.5X7.5X2000)	1	L:2000->610
11	09355-35754-601	.HOSE (3.5X7.5X601)	1	L:601->160
12	18498-90J00	.PROTECTOR	1	L:290->140
13	13138-93J00	.BOLT, COLLECTOR	2	
14	08322-01087	.WASHER	2	
15	13140-93J03	COVER, COLLECTOR	1	
16	18590-68H00	.SENSOR, PRESSURE	1	
17	13310-93J01	.BODY ASSY, THROTTLE NO.1	1	
18	13312-93J00	..HOSE, BYPASS AIR	1	
19	13279-10G00	..SCREW, BYPASS AIR	1	
20	13355-93J00	..SPRING, BYPASS AIR	1	
21	13295-10G00	..O RING, BYPASS AIR SCREW	1	
22	13320-93J00	.BODY ASSY, THROTTLE NO.2	1	
23	13421-93J00	.GASKET, THROTTLE BODY	2	
24	13730-93J00	.CHAMBER, VACUUM	1	
25	18137-93J00	.VALVE, IAC	1	
26	95569-78040	.VALVE, CHECK	1	
27	09280-29006	.O RING (D:2, ID:29.5)	1	
28	01547-06257	.BOLT	4	
29	01550-06307	.BOLT	2	
30	02112-3416B	.SCREW	3	
31	02162-0520B	.SCREW	2	
32	13144-93J00	.GUARD, THROTTLE DRUM	1	
33	09355-35754-601	.HOSE (3.5X7.5X601)	1	L:601->30
34	09355-35754-00B	.HOSE (3.5X7.5X2000)	1	L:2000->165

FIG.163L

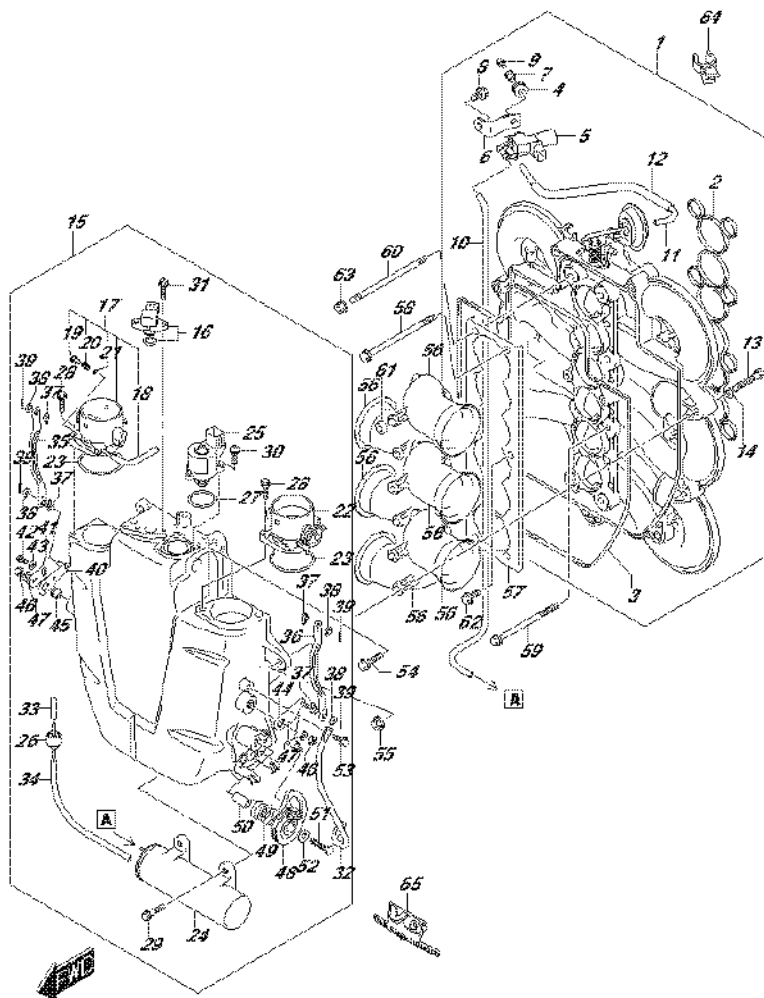


FIG.163L (1-K-14) THROTTLE BODY (DF250Z E01)

REF NO.	PART NO.	DESCRIPTION	Q'TY	REMARKS
35	13583-93J00	.ARM, LINK	1	
36	13583-93J00	.ARM, LINK	1	
37	13555-93J00	.GROMMET, LINK	4	
38	13537-93J00	.WASHER, LINK	4	
39	09204-01004	.PIN	4	
40	13553-93J00	.LEVER, NO.1	1	
41	13554-93J00	.LEVER, NO.2	1	
42	02112-35087	.SCREW	1	
43	09160-05043	.WASHER (5.5X16X1.2)	1	
44	13521-93J00	.LEVER, LINK	1	
45	13514-93J00	.SPACER, LINK SHAFT	1	
46	13599-93J00	.NUT, LINK SHAFT	2	
47	13538-93J00	.WASHER, LINK SHAFT SPRING	2	
48	13541-93J00	.CAM THROTTLE	1	
49	13542-93J00	.SPRING, THROTTLE CAM	1	
50	13543-93J00	.SPACER, THROTTLE CAM	1	
51	01500-06307	.BOLT	1	
52	09160-06036	.WASHER (6.5X18X1.5)	1	
53	01550-06167	.BOLT	2	
54	01550-08307	.BOLT	7	
55	08316-10087	.NUT	2	
56	13132-93J00	.FUNNEL, COLLECTOR	6	
57	13133-93J00	.BRACKET, COLLECTOR FUNNEL	1	
58	09103-08182	.BOLT (8X125)	2	
59	09103-08134	.BOLT (8X110)	4	
60	09108-08267	.STUD BOLT	2	
61	09329-06002	.CUSHION	6	
62	01550-0820A	.BOLT	2	
63	08316-1008A	.NUT	2	
64	09408-00060	.CLAMP	1	
65	61436-93J10	.MARK, EMBLEM V6 (MSI)	1	

FIG.163M

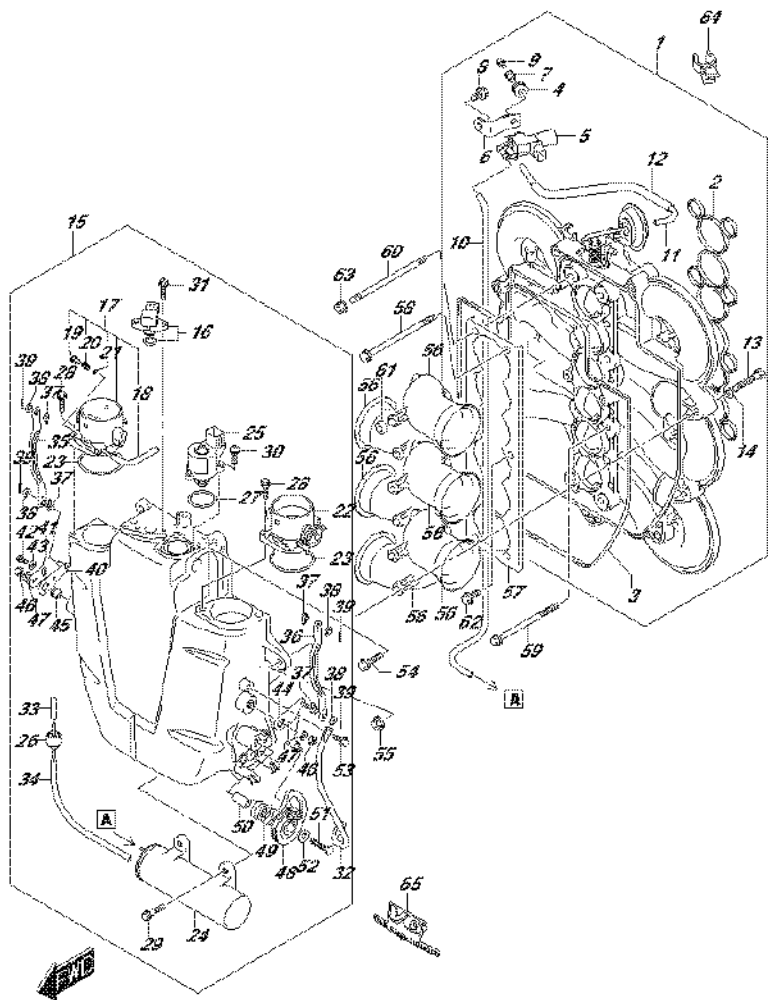


FIG.163M (1-K-15) THROTTLE BODY (DF250Z E40)

REF NO.	PART NO.	DESCRIPTION	Q'TY	REMARKS
1	13130-93J21	COLLECTOR	1	
2	13139-93J00	.GASKET, COLLECTOR	1	
3	13147-93J00	.GASKET, COLLECTOR COVER	1	
4	18116-93J00	.CUSHION, VACUUM VALVE	1	
5	18117-93J00	.VALVE, VACUUM SWITCHING	1	
6	18119-93J00	.BRACKET, VACUUM VALVE	1	
7	09169-05018	.WASHER	1	
8	01550-08167	.BOLT	1	
9	02112-0512A	.SCREW	1	
10	09355-35754-00B	.HOSE (3.5X7.5X2000)	1	L:2000->610
11	09355-35754-601	.HOSE (3.5X7.5X601)	1	L:601->160
12	18498-90J00	.PROTECTOR	1	L:290->140
13	13138-93J00	.BOLT, COLLECTOR	2	
14	08322-01087	.WASHER	2	
15	13140-93J03	COVER, COLLECTOR	1	
16	18590-68H00	.SENSOR, PRESSURE	1	
17	13310-93J01	.BODY ASSY, THROTTLE NO.1	1	
18	13312-93J00	..HOSE, BYPASS AIR	1	
19	13279-10G00	..SCREW, BYPASS AIR	1	
20	13355-93J00	..SPRING, BYPASS AIR	1	
21	13295-10G00	..O RING, BYPASS AIR SCREW	1	
22	13320-93J00	.BODY ASSY, THROTTLE NO.2	1	
23	13421-93J00	.GASKET, THROTTLE BODY	2	
24	13730-93J00	.CHAMBER, VACUUM	1	
25	18137-93J00	.VALVE, IAC	1	
26	95569-78040	.VALVE, CHECK	1	
27	09280-29006	.O RING (D:2, ID:29.5)	1	
28	01547-06257	.BOLT	4	
29	01550-06307	.BOLT	2	
30	02112-3416B	.SCREW	3	
31	02162-0520B	.SCREW	2	
32	13144-93J00	.GUARD, THROTTLE DRUM	1	
33	09355-35754-601	.HOSE (3.5X7.5X601)	1	L:601->30
34	09355-35754-00B	.HOSE (3.5X7.5X2000)	1	L:2000->165

FIG.163M

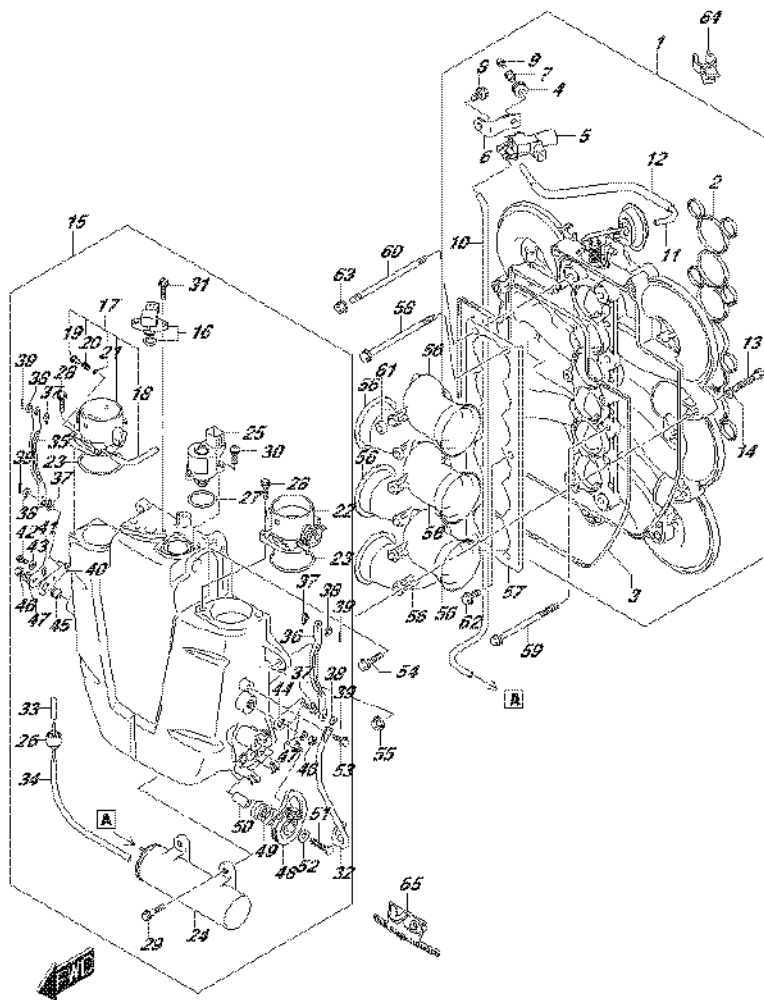


FIG.163M (1-L-2) THROTTLE BODY (DF250Z E40)

REF NO.	PART NO.	DESCRIPTION	Q'TY	REMARKS
35	13583-93J00	.ARM, LINK	1	
36	13583-93J00	.ARM, LINK	1	
37	13555-93J00	.GROMMET, LINK	4	
38	13537-93J00	.WASHER, LINK	4	
39	09204-01004	.PIN	4	
40	13553-93J00	.LEVER, NO.1	1	
41	13554-93J00	.LEVER, NO.2	1	
42	02112-35087	.SCREW	1	
43	09160-05043	.WASHER (5.5X16X1.2)	1	
44	13521-93J00	.LEVER, LINK	1	
45	13514-93J00	.SPACER, LINK SHAFT	1	
46	13599-93J00	.NUT, LINK SHAFT	2	
47	13538-93J00	.WASHER, LINK SHAFT SPRING	2	
48	13541-93J00	.CAM THROTTLE	1	
49	13542-93J00	.SPRING, THROTTLE CAM	1	
50	13543-93J00	.SPACER, THROTTLE CAM	1	
51	01500-06307	.BOLT	1	
52	09160-06036	.WASHER (6.5X18X1.5)	1	
53	01550-06167	.BOLT	2	
54	01550-08307	BOLT	7	
55	08316-10087	NUT	2	
56	13132-93J00	FUNNEL, COLLECTOR	6	
57	13133-93J00	BRACKET, COLLECTOR FUNNEL	1	
58	09103-08182	BOLT (8X125)	2	
59	09103-08134	BOLT (8X110)	4	
60	09108-08267	STUD BOLT	2	
61	09329-06002	CUSHION	6	
62	01550-0820A	BOLT	2	
63	08316-1008A	NUT	2	
64	09408-00060	CLAMP	1	
65	61436-93J10	MARK, EMBLEM V6 (MSI)	1	

FIG.164A

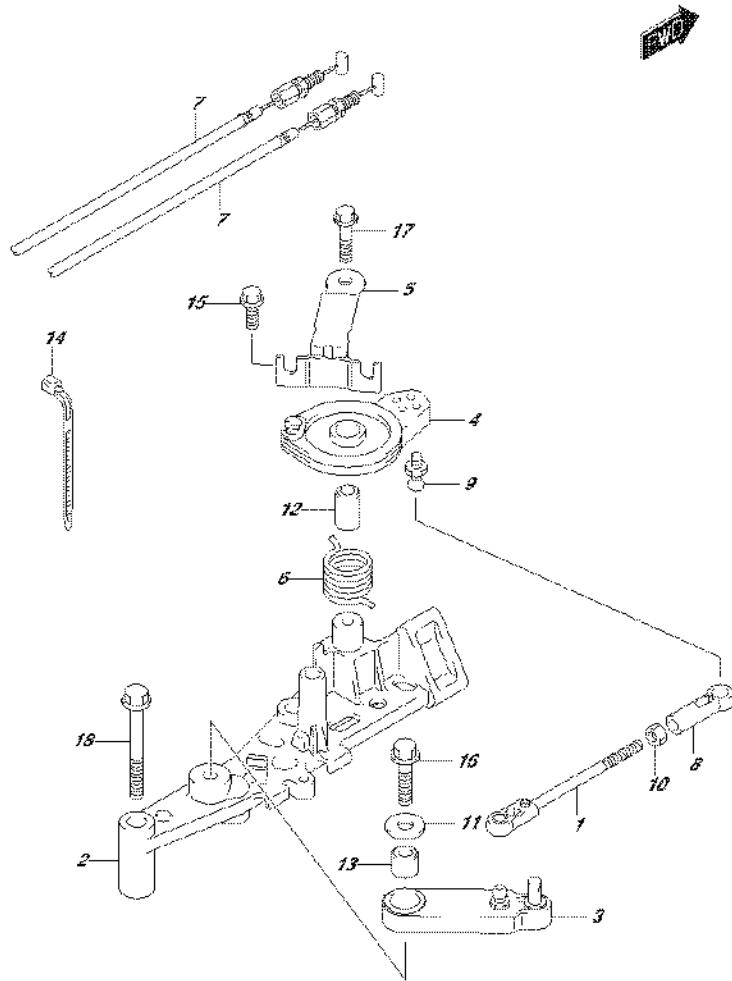


FIG.164A (1-L-3) THROTTLE ROD

REF NO.	PART NO.	DESCRIPTION	Q'TY	REMARKS
1	13510-93J00	ROD, THROTTLE NO.1	1	
2	19115-93J01	HOLDER, THROTTLE LEVER	1	
3	19121-93J02	LEVER, THROTTLE NO.1	1	
4	19148-93J00	DRUM, THROTTLE	1	
5	19184-93J00	BRACKET, THROTTLE CABLE	1	
6	19185-93J00	SPRING, THROTTLE LEVER	1	
7	63610-93J00	CABLE, THROTTLE	2	
8	67463-95200	CONNECTOR, THROTTLE ROD	1	
9	09119-06047	PIVOT	1	
10	09140-05005	NUT	1	
11	09160-06066	WASHER (6.5X20X1.6)	1	
12	09180-06186	SPACER (6.2X12.6X21)	1	
13	09180-06230	SPACER (6.2X12.6X12.5)	1	
14	09407-11401	CLAMP (L:95)	1	
15	01550-06167	BOLT	1	
16	01550-06257	BOLT	1	
17	01550-06357	BOLT	1	
18	01550-08607	BOLT	2	

FIG.175A

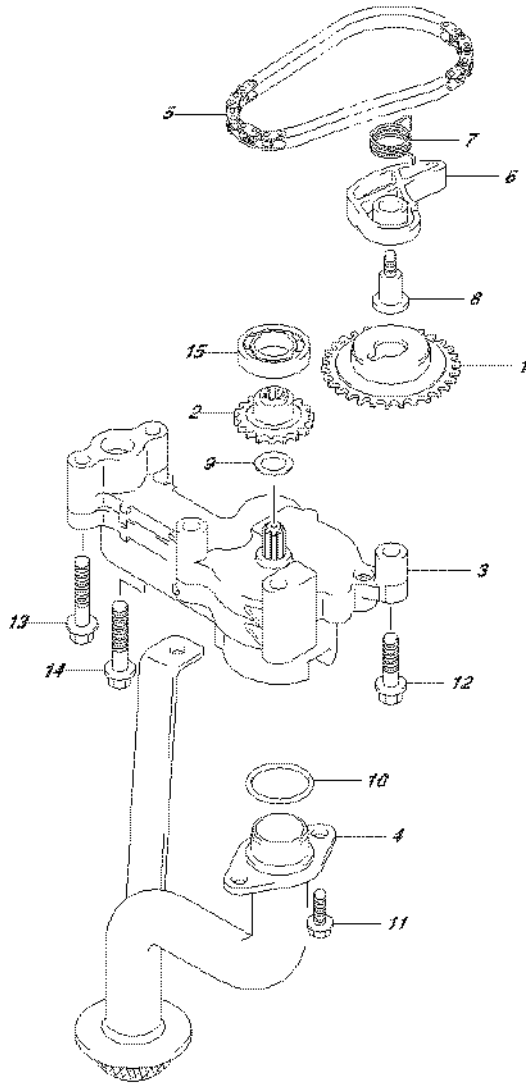


FIG.175A (1-L-4) OIL PUMP

REF NO.	PART NO.	DESCRIPTION	Q'TY	REMARKS
1	12632-93J11	SPROCKET, OIL PUMP DRIVE (NT:32)	1	
2	16113-93J10	SPROCKET, OIL PUMP DRIVEN (NT:18)	1	
3	16400-93J02	PUMP ASSY, OIL	1	
4	16520-93J00	STRAINER, OIL PUMP	1	
5	16760-93J00	CHAIN, OIL PUMP DRIVE	1	
6	16781-93J00	TENSIONER, OIL PUMP CHAIN	1	
7	16782-93J00	SPRING, OIL PUMP TENSIONER	1	
8	16783-93J01	BOLT, OIL PUMP TENSIONER	1	
9	09181-12158	SHIM (12X20X0.5)	1	
10	09280-22020	O RING (D:2.4,ID:21.8)	2	
11	01550-0616A	BOLT	3	
12	01550-0845A	BOLT	1	
13	01550-0865A	BOLT	3	
14	01550-0885A	BOLT	1	
15	08110-60020	BEARING	1	



FIG. 180A

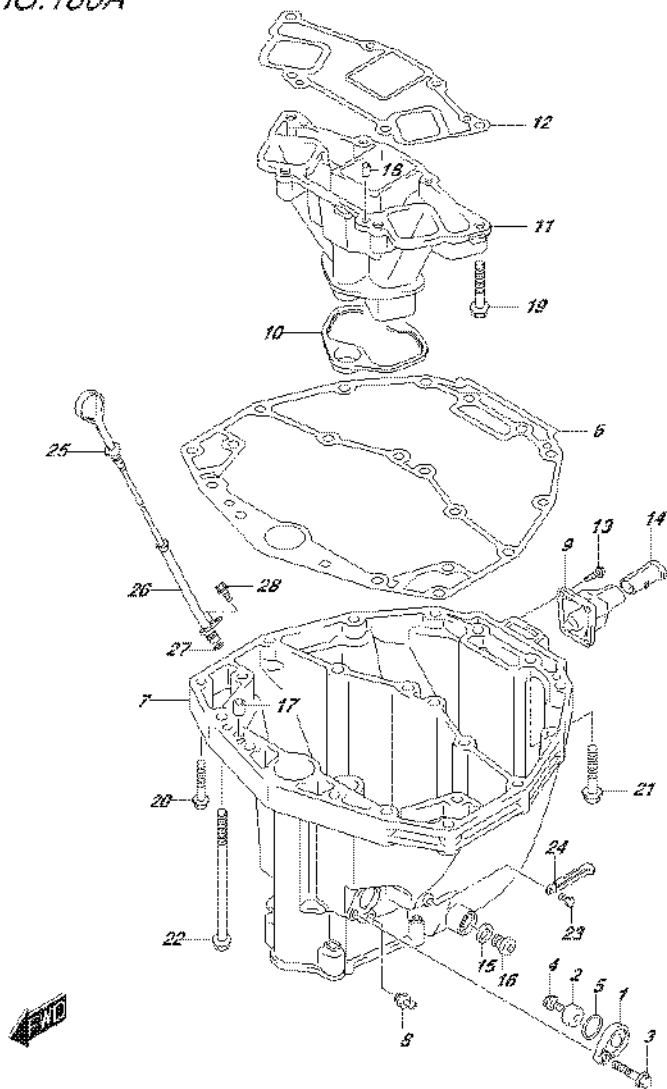


FIG.180A (1-L-5) OIL PAN

REF NO.	PART NO.	DESCRIPTION	Q'TY	REMARKS
1-1	11261-93J10-0EP	COVER, PROTECTION ANODE (BLACK)	1	
1-2	11261-93J10-Y5S	COVER, PROTECTION ANODE (WHITE)	1	
2-1	55321-87J01	ANODE, PROTECTION	1	
2-2	55321-87J11	ANODE (MAGNESIUM)	1	OPT
3	29103-93J30	BOLT, ANODE COVER	1	
4	09103-06281	BOLT (6X14)	1	
5	09280-22019	O RING (D:1.9,ID:21.8)	1	
6	11489-93J00	GASKET, OIL PAN	1	
7-1	11501-93J02-0EP	PAN, OIL (BLACK)	1	
7-2	11501-93J02-Y5S	PAN, OIL (WHITE)	1	
8	11591-93J10	UNION, OIL PAN	1	
9-1	11541-93J00-0EP	PIPE, EXHAUST (BLACK)	1	
9-2	11541-93J00-Y5S	PIPE, EXHAUST (WHITE)	1	
10	14154-93J01	SEAL, EXHAUST TUBE	1	
11	14211-93J00	TUBE, EXHAUST	1	
12	14212-93J00	GASKET, EXHAUST TUBE	1	
13	29116-93J00	BOLT, EXHAUST PIPE	4	
14	11435-93J00	PIPE, EXHAUST RELEASE	1	
15	09168-12012	GASKET (12.5X20X2.5)	1	
16	09248-12009	PLUG (12X18.65)	1	
17	09202-08006	PIN (8X12)	2	
18	09202-08006	PIN (8X12)	2	
19	01550-1050A	BOLT	4	
20	09116-08128	BOLT (8X40)	10	
21	09116-10175	BOLT (10X50)	2	
22	09116-10146	BOLT (10X195)	4	
23	29103-93J00	BOLT, SPEEDOMETER HOSE CLAMP	1	
24	29404-93J10	CLAMP, SPEEDOMETER HOSE	1	
25	16910-93J00	GAUGE, OIL LEVEL	1	
26	16930-93J00	GUIDE, OIL LEVEL GAUGE	1	
27	09280-09008	O RING (D:2.1,ID:8.8)	1	
28	01550-06127	BOLT	1	

FIG.204A

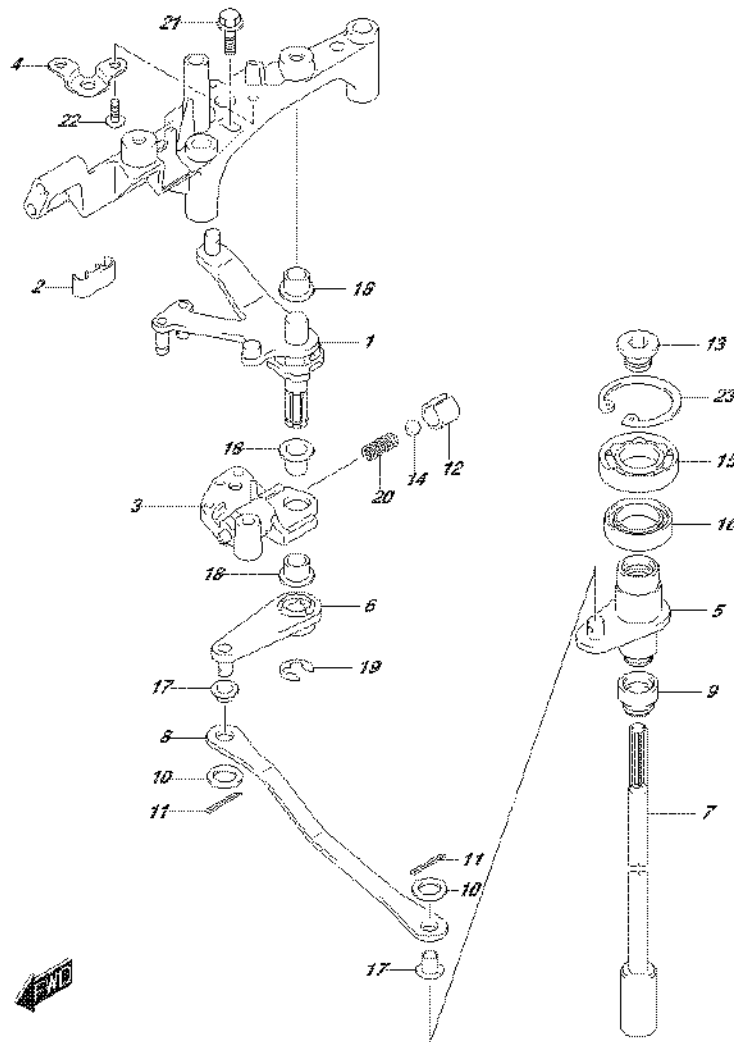


FIG.204A (1-L-6) CLUTCH SHAFT (DF200T E01)

REF NO.	PART NO.	DESCRIPTION	Q'TY	REMARKS
1	21100-93J01	LEVER, CLUTCH	1	
2	21131-93J00	BUSH, CLUTCH LEVER	1	
3	21151-93J00	HOLDER, CLUTCH LEVER	1	
4	21155-93J00	PLATE, SHIFT LEVER	1	
5	21210-93J01	SHAFT, CLUTCH	1	
6	21230-93J01	ARM, CLUTCH SHAFT	1	
7-1	23111-93J00	ROD, CLUTCH	1	W/TRANSOM(X,XX)
7-2	23111-93J10	ROD, CLUTCH	1	W/TRANSOM(L)
8	23115-93J00	LINK, CLUTCH LEVER	1	
9	25223-94400	COVER, CLUTCH ROD	1	
10	09160-06094	WASHER (6.5X15X1.5)	2	
11	09204-01006	PIN	2	
12	09205-10006	SPRING PIN (10.2X10)	1	
13	09248-12011	PLUG (12X9)	1	
14	09260-10005	BALL	1	
15	09262-17019	BEARING (17X35X8)	1	
16	09289-18001	OIL SEAL (18X30X8)	1	
17	09306-06004	BUSH	2	
18	09306-10001	BUSH	3	
19	09383-08004	E RING	1	
20	09440-07051	SPRING	1	
21	01550-06207	BOLT	1	
22	02142-05107	SCREW	2	
23	08331-41359	CIRCLIP	1	

FIG.204B

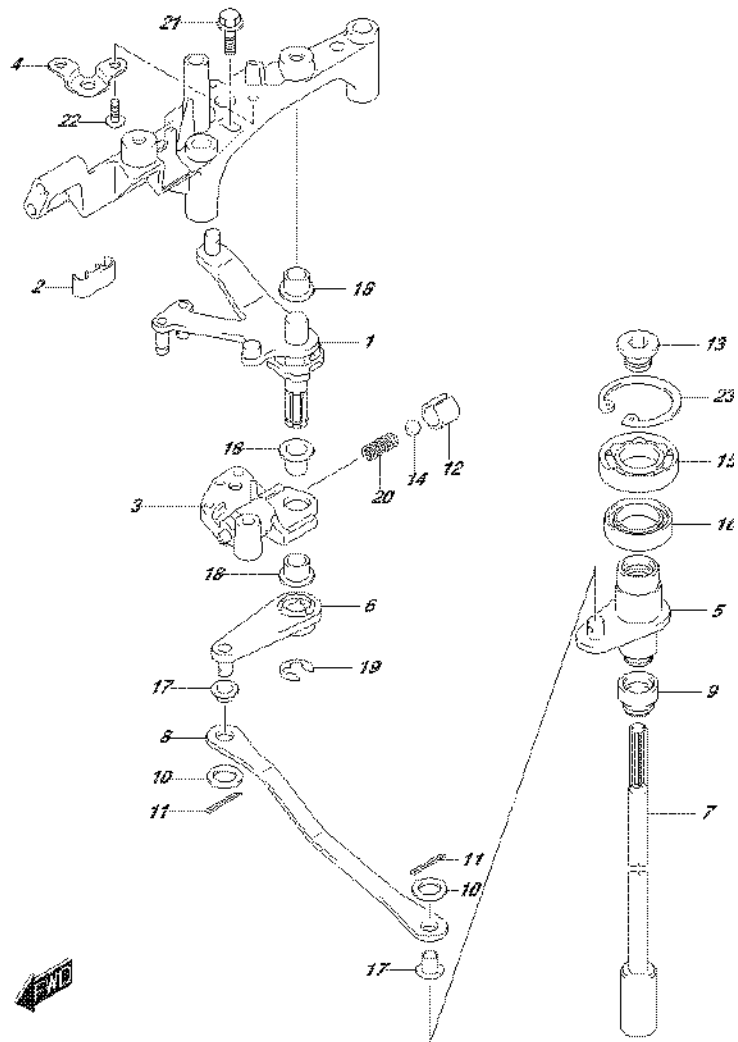


FIG.204B (1-L-7) CLUTCH SHAFT (DF200T E40)

REF NO.	PART NO.	DESCRIPTION	Q'TY	REMARKS
1	21100-93J01	LEVER, CLUTCH	1	
2	21131-93J00	BUSH, CLUTCH LEVER	1	
3	21151-93J00	HOLDER, CLUTCH LEVER	1	
4	21155-93J00	PLATE, SHIFT LEVER	1	
5	21210-93J01	SHAFT, CLUTCH	1	
6	21230-93J01	ARM, CLUTCH SHAFT	1	
7-1	23111-93J00	ROD, CLUTCH	1	W/TRANSOM(X)
7-2	23111-93J10	ROD, CLUTCH	1	W/TRANSOM(L)
8	23115-93J00	LINK, CLUTCH LEVER	1	
9	25223-94400	COVER, CLUTCH ROD	1	
10	09160-06094	WASHER (6.5X15X1.5)	2	
11	09204-01006	PIN	2	
12	09205-10006	SPRING PIN (10.2X10)	1	
13	09248-12011	PLUG (12X9)	1	
14	09260-10005	BALL	1	
15	09262-17019	BEARING (17X35X8)	1	
16	09289-18001	OIL SEAL (18X30X8)	1	
17	09306-06004	BUSH	2	
18	09306-10001	BUSH	3	
19	09383-08004	E RING	1	
20	09440-07051	SPRING	1	
21	01550-06207	BOLT	1	
22	02142-05107	SCREW	2	
23	08331-41359	CIRCLIP	1	

FIG.204C

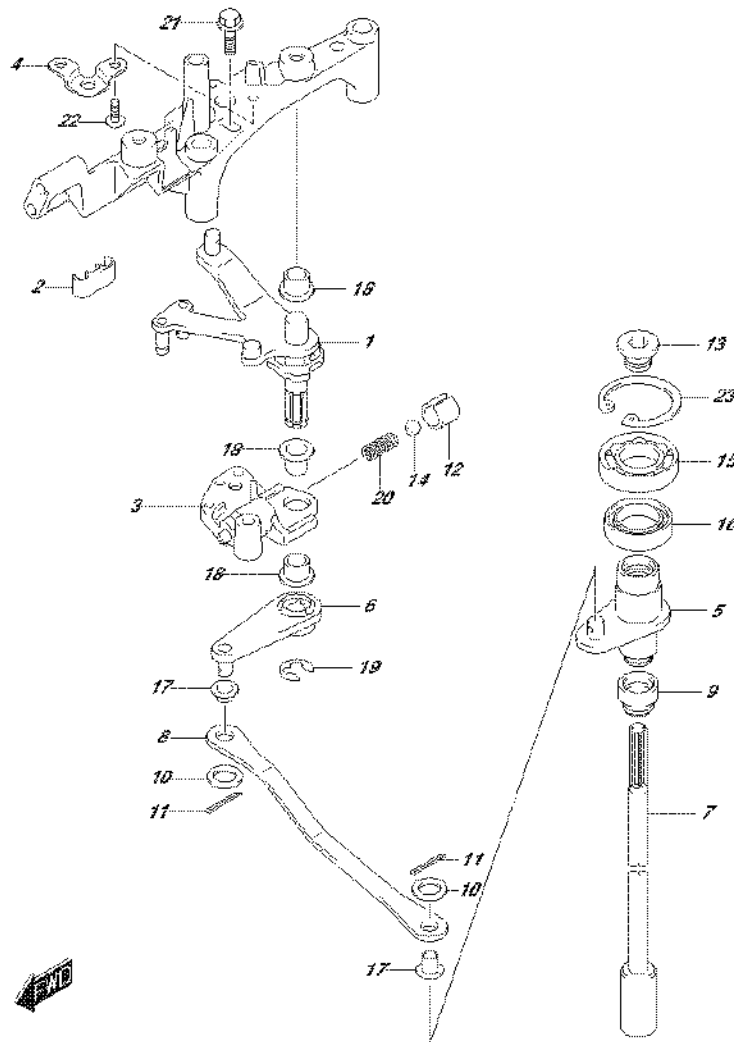


FIG.204C (1-L-8) CLUTCH SHAFT (DF200Z E01)

REF NO.	PART NO.	DESCRIPTION	Q'TY	REMARKS
1	21100-93J01	LEVER, CLUTCH	1	
2	21131-93J00	BUSH, CLUTCH LEVER	1	
3	21151-93J00	HOLDER, CLUTCH LEVER	1	
4	21155-93J00	PLATE, SHIFT LEVER	1	
5	21210-93J01	SHAFT, CLUTCH	1	
6	21230-93J01	ARM, CLUTCH SHAFT	1	
7	23111-93J00	ROD, CLUTCH	1	
8	23115-93J00	LINK, CLUTCH LEVER	1	
9	25223-94400	COVER, CLUTCH ROD	1	
10	09160-06094	WASHER (6.5X15X1.5)	2	
11	09204-01006	PIN	2	
12	09205-10006	SPRING PIN (10.2X10)	1	
13	09248-12011	PLUG (12X9)	1	
14	09260-10005	BALL	1	
15	09262-17019	BEARING (17X35X8)	1	
16	09289-18001	OIL SEAL (18X30X8)	1	
17	09306-06004	BUSH	2	
18	09306-10001	BUSH	3	
19	09383-08004	E RING	1	
20	09440-07051	SPRING	1	
21	01550-06207	BOLT	1	
22	02142-05107	SCREW	2	
23	08331-41359	CIRCLIP	1	

FIG.204D

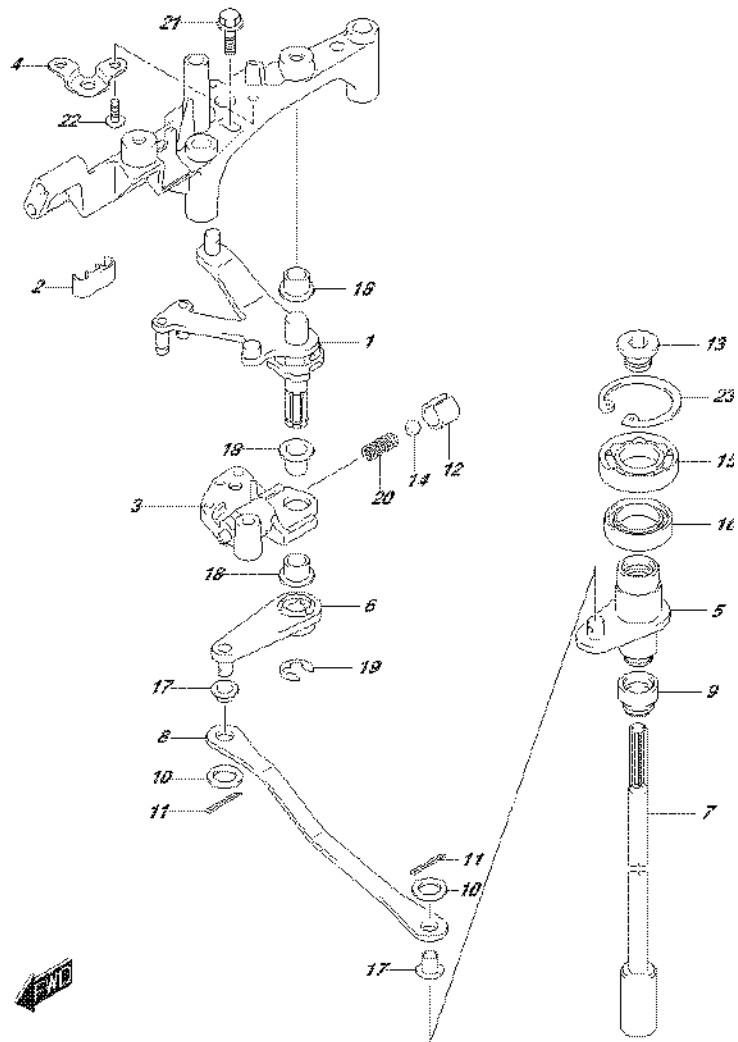


FIG.204D (1-L-9) CLUTCH SHAFT (DF200Z E40)

REF NO.	PART NO.	DESCRIPTION	Q'TY	REMARKS
1	21100-93J01	LEVER, CLUTCH	1	
2	21131-93J00	BUSH, CLUTCH LEVER	1	
3	21151-93J00	HOLDER, CLUTCH LEVER	1	
4	21155-93J00	PLATE, SHIFT LEVER	1	
5	21210-93J01	SHAFT, CLUTCH	1	
6	21230-93J01	ARM, CLUTCH SHAFT	1	
7	23111-93J00	ROD, CLUTCH	1	
8	23115-93J00	LINK, CLUTCH LEVER	1	
9	25223-94400	COVER, CLUTCH ROD	1	
10	09160-06094	WASHER (6.5X15X1.5)	2	
11	09204-01006	PIN	2	
12	09205-10006	SPRING PIN (10.2X10)	1	
13	09248-12011	PLUG (12X9)	1	
14	09260-10005	BALL	1	
15	09262-17019	BEARING (17X35X8)	1	
16	09289-18001	OIL SEAL (18X30X8)	1	
17	09306-06004	BUSH	2	
18	09306-10001	BUSH	3	
19	09383-08004	E RING	1	
20	09440-07051	SPRING	1	
21	01550-06207	BOLT	1	
22	02142-05107	SCREW	2	
23	08331-41359	CIRCLIP	1	

FIG.204E

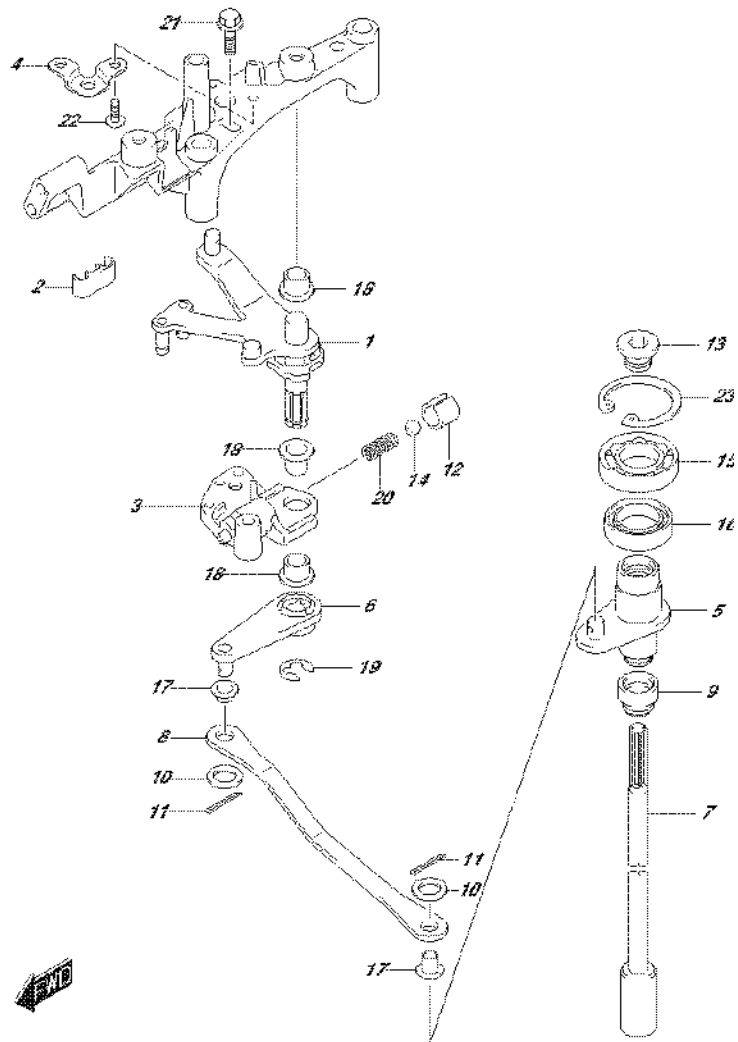


FIG.204E (1-L-10) CLUTCH SHAFT (DF225T E01)

REF NO.	PART NO.	DESCRIPTION	Q'TY	REMARKS
1	21100-93J01	LEVER, CLUTCH	1	
2	21131-93J00	BUSH, CLUTCH LEVER	1	
3	21151-93J00	HOLDER, CLUTCH LEVER	1	
4	21155-93J00	PLATE, SHIFT LEVER	1	
5	21210-93J01	SHAFT, CLUTCH	1	
6	21230-93J01	ARM, CLUTCH SHAFT	1	
7	23111-93J00	ROD, CLUTCH	1	
8	23115-93J00	LINK, CLUTCH LEVER	1	
9	25223-94400	COVER, CLUTCH ROD	1	
10	09160-06094	WASHER (6.5X15X1.5)	2	
11	09204-01006	PIN	2	
12	09205-10006	SPRING PIN (10.2X10)	1	
13	09248-12011	PLUG (12X9)	1	
14	09260-10005	BALL	1	
15	09262-17019	BEARING (17X35X8)	1	
16	09289-18001	OIL SEAL (18X30X8)	1	
17	09306-06004	BUSH	2	
18	09306-10001	BUSH	3	
19	09383-08004	E RING	1	
20	09440-07051	SPRING	1	
21	01550-06207	BOLT	1	
22	02142-05107	SCREW	2	
23	08331-41359	CIRCLIP	1	

FIG.204F

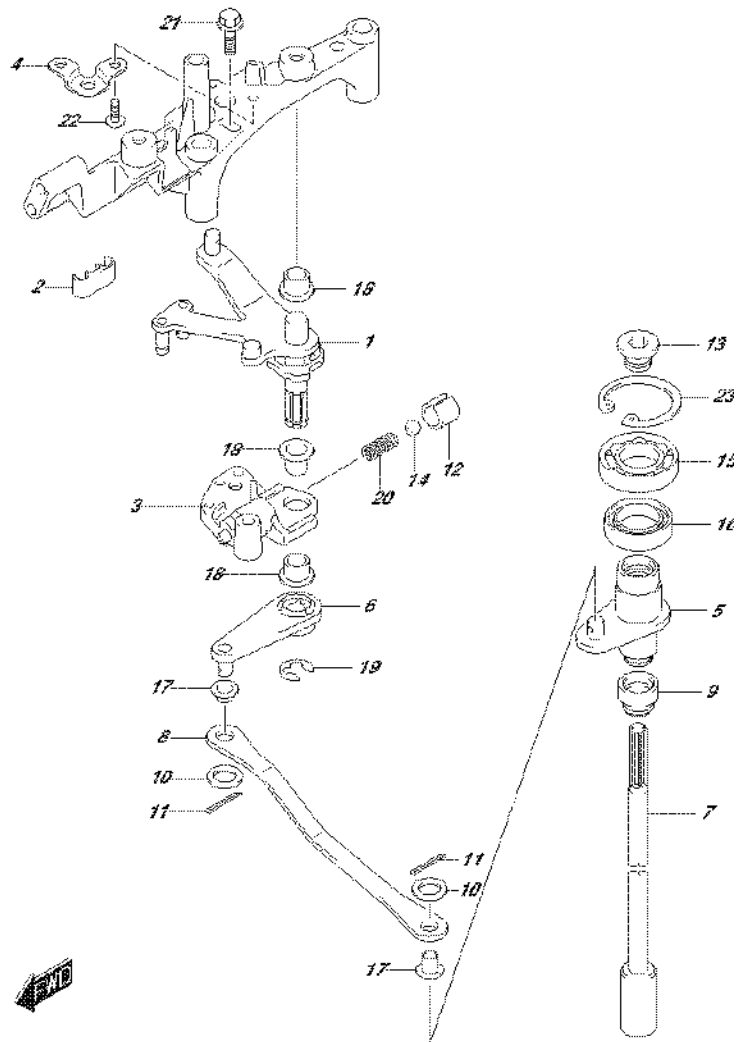


FIG.204F (1-L-11) CLUTCH SHAFT (DF225T E40)

REF NO.	PART NO.	DESCRIPTION	Q'TY	REMARKS
1	21100-93J01	LEVER, CLUTCH	1	
2	21131-93J00	BUSH, CLUTCH LEVER	1	
3	21151-93J00	HOLDER, CLUTCH LEVER	1	
4	21155-93J00	PLATE, SHIFT LEVER	1	
5	21210-93J01	SHAFT, CLUTCH	1	
6	21230-93J01	ARM, CLUTCH SHAFT	1	
7	23111-93J00	ROD, CLUTCH	1	
8	23115-93J00	LINK, CLUTCH LEVER	1	
9	25223-94400	COVER, CLUTCH ROD	1	
10	09160-06094	WASHER (6.5X15X1.5)	2	
11	09204-01006	PIN	2	
12	09205-10006	SPRING PIN (10.2X10)	1	
13	09248-12011	PLUG (12X9)	1	
14	09260-10005	BALL	1	
15	09262-17019	BEARING (17X35X8)	1	
16	09289-18001	OIL SEAL (18X30X8)	1	
17	09306-06004	BUSH	2	
18	09306-10001	BUSH	3	
19	09383-08004	E RING	1	
20	09440-07051	SPRING	1	
21	01550-06207	BOLT	1	
22	02142-05107	SCREW	2	
23	08331-41359	CIRCLIP	1	

FIG.204G

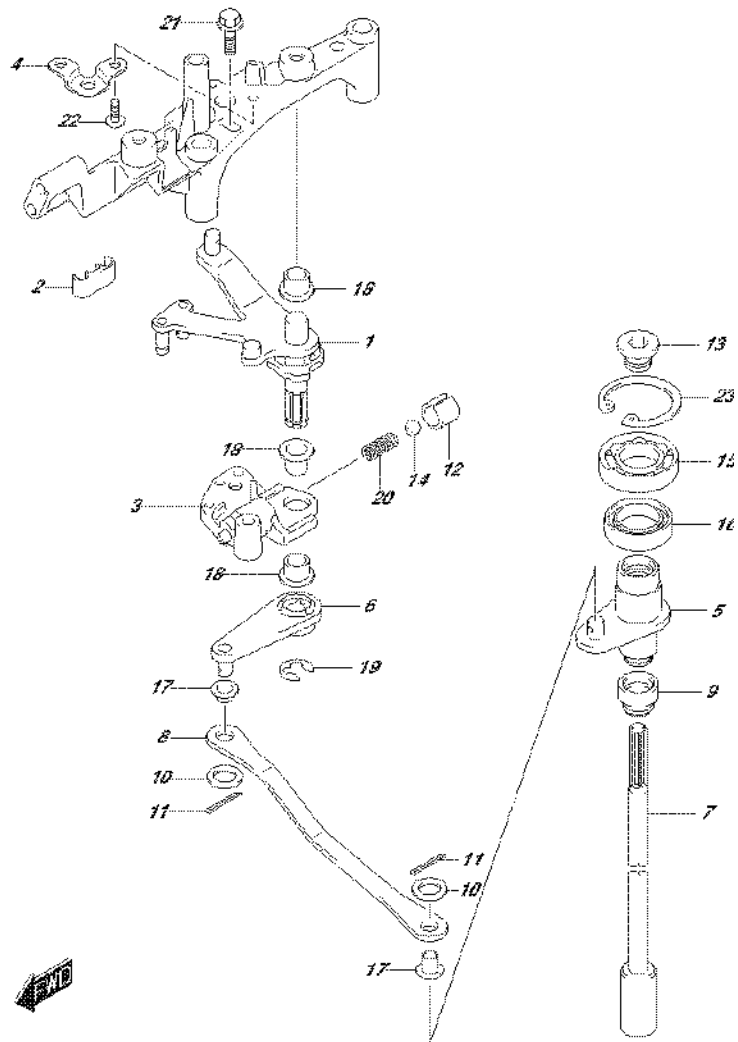


FIG.204G (1-L-12) CLUTCH SHAFT (DF225Z E01)

REF NO.	PART NO.	DESCRIPTION	Q'TY	REMARKS
1	21100-93J01	LEVER, CLUTCH	1	
2	21131-93J00	BUSH, CLUTCH LEVER	1	
3	21151-93J00	HOLDER, CLUTCH LEVER	1	
4	21155-93J00	PLATE, SHIFT LEVER	1	
5	21210-93J01	SHAFT, CLUTCH	1	
6	21230-93J01	ARM, CLUTCH SHAFT	1	
7	23111-93J00	ROD, CLUTCH	1	
8	23115-93J00	LINK, CLUTCH LEVER	1	
9	25223-94400	COVER, CLUTCH ROD	1	
10	09160-06094	WASHER (6.5X15X1.5)	2	
11	09204-01006	PIN	2	
12	09205-10006	SPRING PIN (10.2X10)	1	
13	09248-12011	PLUG (12X9)	1	
14	09260-10005	BALL	1	
15	09262-17019	BEARING (17X35X8)	1	
16	09289-18001	OIL SEAL (18X30X8)	1	
17	09306-06004	BUSH	2	
18	09306-10001	BUSH	3	
19	09383-08004	E RING	1	
20	09440-07051	SPRING	1	
21	01550-06207	BOLT	1	
22	02142-05107	SCREW	2	
23	08331-41359	CIRCLIP	1	

FIG.204H

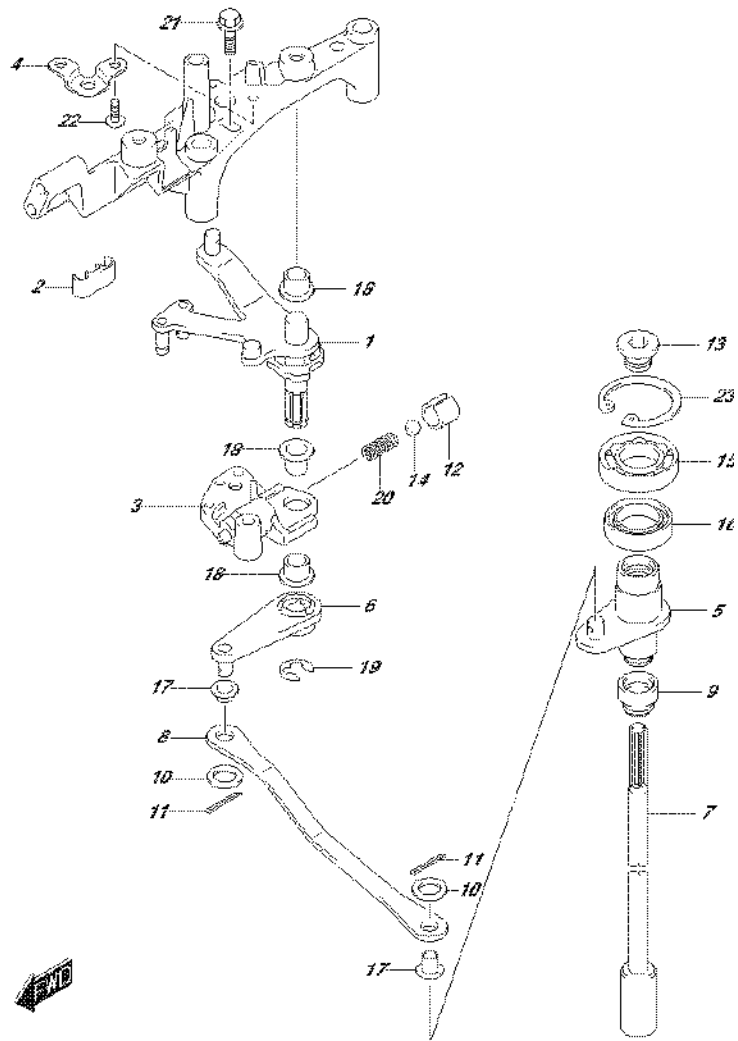


FIG.204H (1-L-13) CLUTCH SHAFT (DF225Z E40)

REF NO.	PART NO.	DESCRIPTION	Q'TY	REMARKS
1	21100-93J01	LEVER, CLUTCH	1	
2	21131-93J00	BUSH, CLUTCH LEVER	1	
3	21151-93J00	HOLDER, CLUTCH LEVER	1	
4	21155-93J00	PLATE, SHIFT LEVER	1	
5	21210-93J01	SHAFT, CLUTCH	1	
6	21230-93J01	ARM, CLUTCH SHAFT	1	
7	23111-93J00	ROD, CLUTCH	1	
8	23115-93J00	LINK, CLUTCH LEVER	1	
9	25223-94400	COVER, CLUTCH ROD	1	
10	09160-06094	WASHER (6.5X15X1.5)	2	
11	09204-01006	PIN	2	
12	09205-10006	SPRING PIN (10.2X10)	1	
13	09248-12011	PLUG (12X9)	1	
14	09260-10005	BALL	1	
15	09262-17019	BEARING (17X35X8)	1	
16	09289-18001	OIL SEAL (18X30X8)	1	
17	09306-06004	BUSH	2	
18	09306-10001	BUSH	3	
19	09383-08004	E RING	1	
20	09440-07051	SPRING	1	
21	01550-06207	BOLT	1	
22	02142-05107	SCREW	2	
23	08331-41359	CIRCLIP	1	

FIG.204J

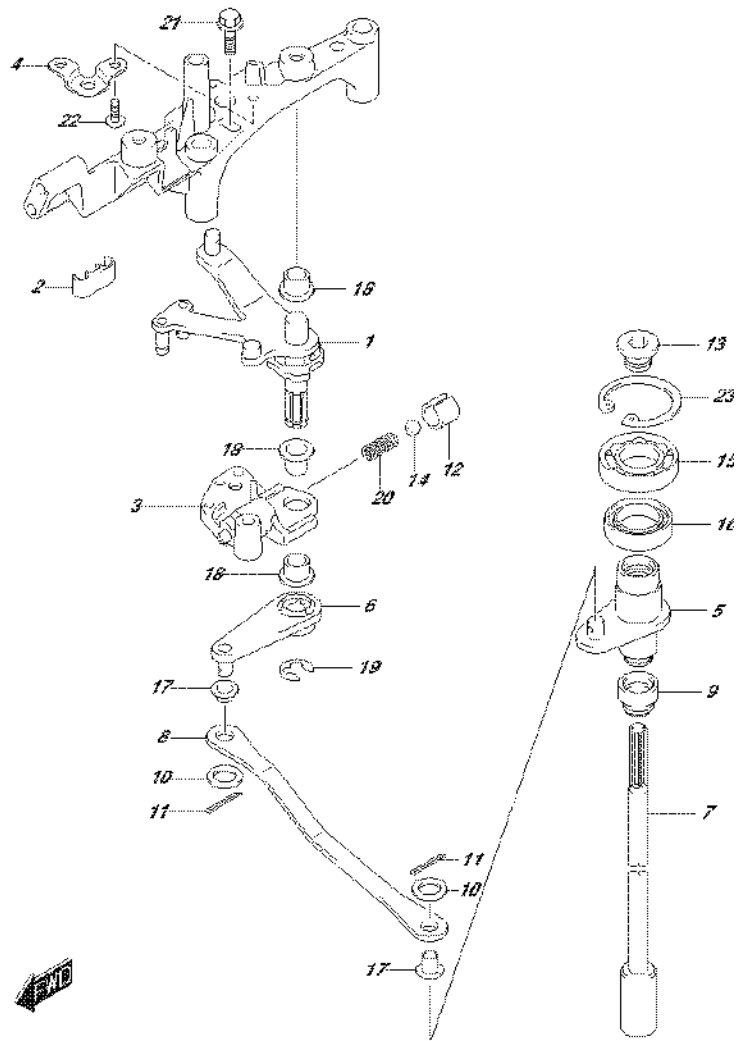


FIG.204J (1-L-14) CLUTCH SHAFT (DF250T E01)

REF NO.	PART NO.	DESCRIPTION	Q'TY	REMARKS
1	21100-93J01	LEVER, CLUTCH	1	
2	21131-93J00	BUSH, CLUTCH LEVER	1	
3	21151-93J00	HOLDER, CLUTCH LEVER	1	
4	21155-93J00	PLATE, SHIFT LEVER	1	
5	21210-93J01	SHAFT, CLUTCH	1	
6	21230-93J01	ARM, CLUTCH SHAFT	1	
7	23111-93J00	ROD, CLUTCH	1	
8	23115-93J00	LINK, CLUTCH LEVER	1	
9	25223-94400	COVER, CLUTCH ROD	1	
10	09160-06094	WASHER (6.5X15X1.5)	2	
11	09204-01006	PIN	2	
12	09205-10006	SPRING PIN (10.2X10)	1	
13	09248-12011	PLUG (12X9)	1	
14	09260-10005	BALL	1	
15	09262-17019	BEARING (17X35X8)	1	
16	09289-18001	OIL SEAL (18X30X8)	1	
17	09306-06004	BUSH	2	
18	09306-10001	BUSH	3	
19	09383-08004	E RING	1	
20	09440-07051	SPRING	1	
21	01550-06207	BOLT	1	
22	02142-05107	SCREW	2	
23	08331-41359	CIRCLIP	1	

FIG.204K

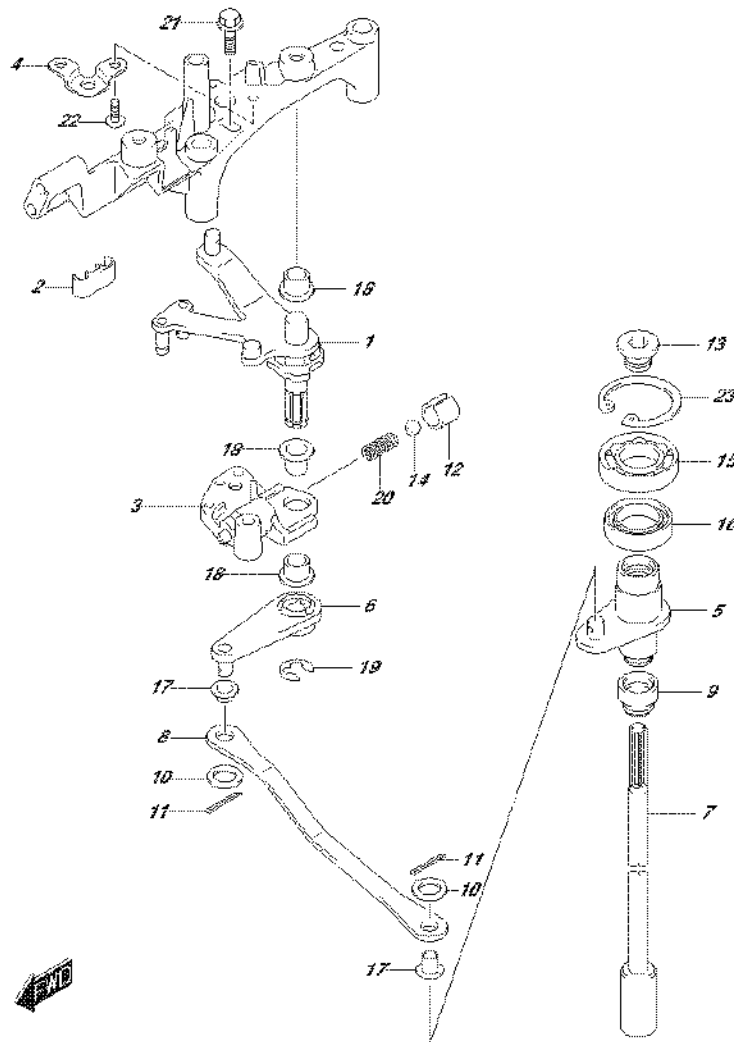


FIG.204K (1-L-15) CLUTCH SHAFT (DF250T E40)

REF NO.	PART NO.	DESCRIPTION	Q'TY	REMARKS
1	21100-93J01	LEVER, CLUTCH	1	
2	21131-93J00	BUSH, CLUTCH LEVER	1	
3	21151-93J00	HOLDER, CLUTCH LEVER	1	
4	21155-93J00	PLATE, SHIFT LEVER	1	
5	21210-93J01	SHAFT, CLUTCH	1	
6	21230-93J01	ARM, CLUTCH SHAFT	1	
7	23111-93J00	ROD, CLUTCH	1	
8	23115-93J00	LINK, CLUTCH LEVER	1	
9	25223-94400	COVER, CLUTCH ROD	1	
10	09160-06094	WASHER (6.5X15X1.5)	2	
11	09204-01006	PIN	2	
12	09205-10006	SPRING PIN (10.2X10)	1	
13	09248-12011	PLUG (12X9)	1	
14	09260-10005	BALL	1	
15	09262-17019	BEARING (17X35X8)	1	
16	09289-18001	OIL SEAL (18X30X8)	1	
17	09306-06004	BUSH	2	
18	09306-10001	BUSH	3	
19	09383-08004	E RING	1	
20	09440-07051	SPRING	1	
21	01550-06207	BOLT	1	
22	02142-05107	SCREW	2	
23	08331-41359	CIRCLIP	1	

FIG.204L

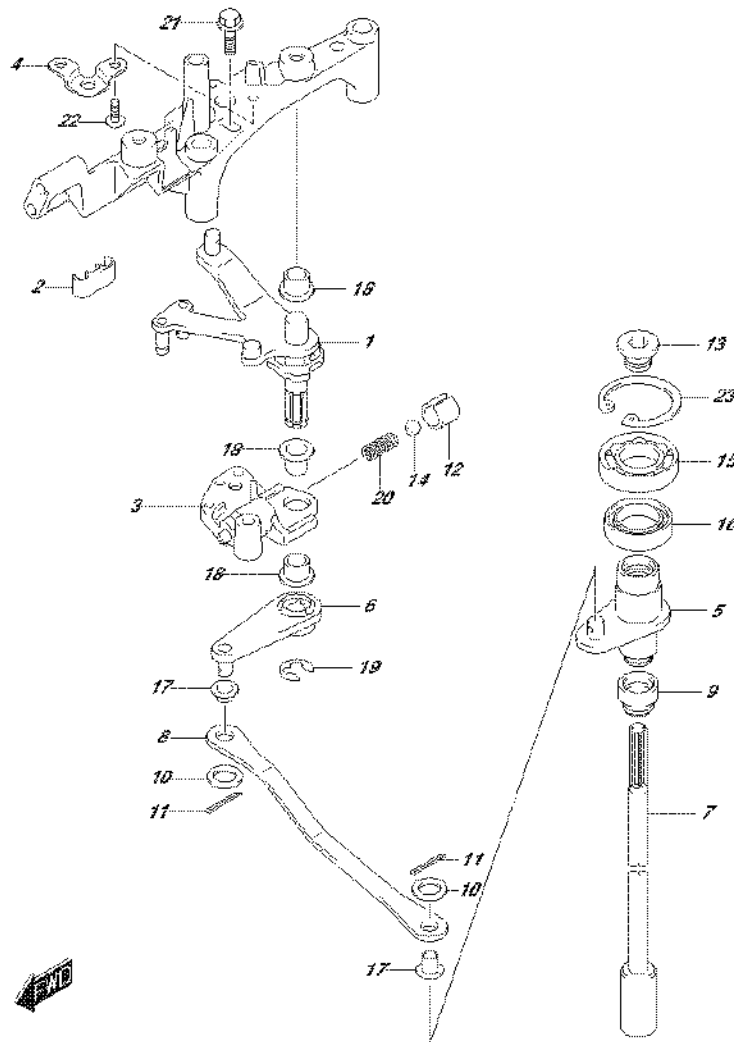


FIG.204L (2-B-2) CLUTCH SHAFT (DF250Z E01)

REF NO.	PART NO.	DESCRIPTION	Q'TY	REMARKS
1	21100-93J01	LEVER, CLUTCH	1	
2	21131-93J00	BUSH, CLUTCH LEVER	1	
3	21151-93J00	HOLDER, CLUTCH LEVER	1	
4	21155-93J00	PLATE, SHIFT LEVER	1	
5	21210-93J01	SHAFT, CLUTCH	1	
6	21230-93J01	ARM, CLUTCH SHAFT	1	
7	23111-93J00	ROD, CLUTCH	1	
8	23115-93J00	LINK, CLUTCH LEVER	1	
9	25223-94400	COVER, CLUTCH ROD	1	
10	09160-06094	WASHER (6.5X15X1.5)	2	
11	09204-01006	PIN	2	
12	09205-10006	SPRING PIN (10.2X10)	1	
13	09248-12011	PLUG (12X9)	1	
14	09260-10005	BALL	1	
15	09262-17019	BEARING (17X35X8)	1	
16	09289-18001	OIL SEAL (18X30X8)	1	
17	09306-06004	BUSH	2	
18	09306-10001	BUSH	3	
19	09383-08004	E RING	1	
20	09440-07051	SPRING	1	
21	01550-06207	BOLT	1	
22	02142-05107	SCREW	2	
23	08331-41359	CIRCLIP	1	

FIG.204M

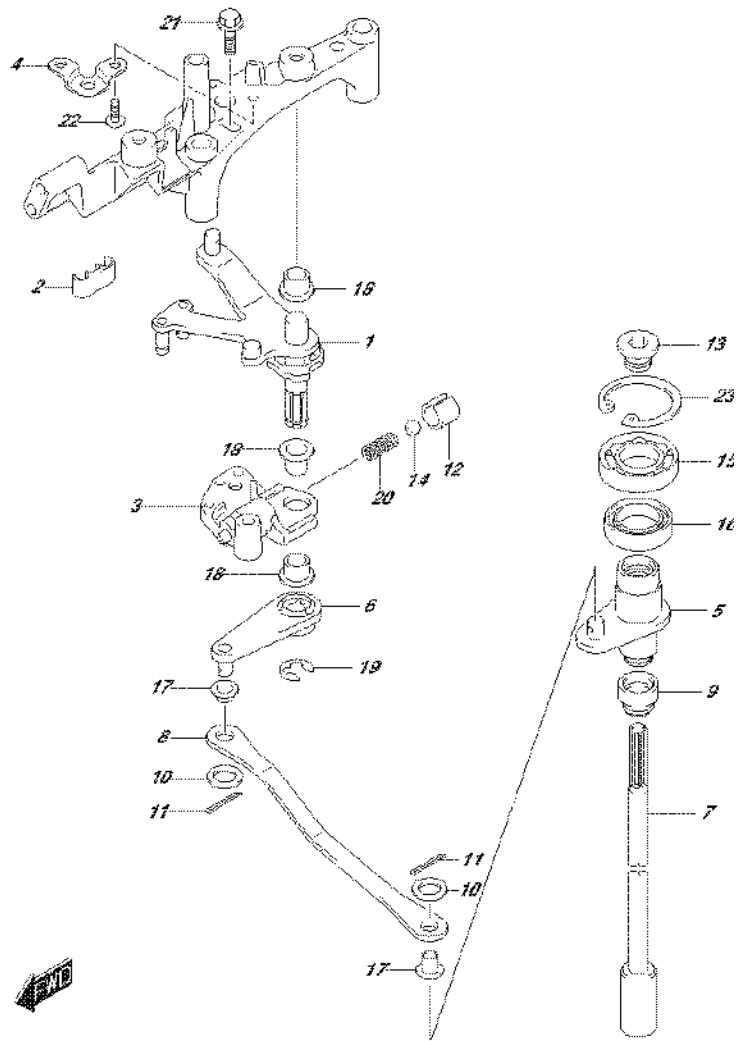


FIG.204M (2-B-3) CLUTCH SHAFT (DF250Z E40)

REF NO.	PART NO.	DESCRIPTION	Q'TY	REMARKS
1	21100-93J01	LEVER, CLUTCH	1	
2	21131-93J00	BUSH, CLUTCH LEVER	1	
3	21151-93J00	HOLDER, CLUTCH LEVER	1	
4	21155-93J00	PLATE, SHIFT LEVER	1	
5	21210-93J01	SHAFT, CLUTCH	1	
6	21230-93J01	ARM, CLUTCH SHAFT	1	
7	23111-93J00	ROD, CLUTCH	1	
8	23115-93J00	LINK, CLUTCH LEVER	1	
9	25223-94400	COVER, CLUTCH ROD	1	
10	09160-06094	WASHER (6.5X15X1.5)	2	
11	09204-01006	PIN	2	
12	09205-10006	SPRING PIN (10.2X10)	1	
13	09248-12011	PLUG (12X9)	1	
14	09260-10005	BALL	1	
15	09262-17019	BEARING (17X35X8)	1	
16	09289-18001	OIL SEAL (18X30X8)	1	
17	09306-06004	BUSH	2	
18	09306-10001	BUSH	3	
19	09383-08004	E RING	1	
20	09440-07051	SPRING	1	
21	01550-06207	BOLT	1	
22	02142-05107	SCREW	2	
23	08331-41359	CIRCLIP	1	

FIG.206A

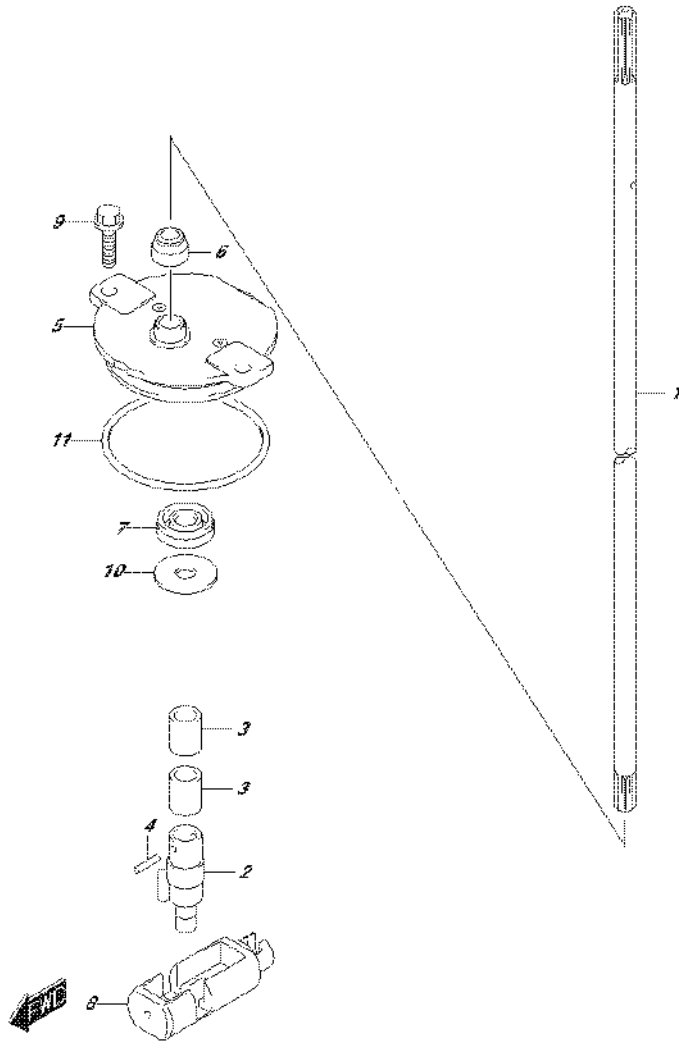


FIG.206A (2-B-4) CLUTCH ROD (DF200T E01)

REF NO.	PART NO.	DESCRIPTION	Q'TY	REMARKS
1-1	25111-93J00	ROD, SHIFT ASSIST	1	W/TRANSOM(L,X)
1-2	25111-93J10	ROD, SHIFT ASSIST	1	W/TRANSOM(XX)
2	25131-93J00	YOKE, SHIFTER	1	
3	25232-96302	MAGNET, GEAR CASE	2	
4	09205-02006	SPRING PIN (2X12)	2	
5	25141-93J00	HOUSING, SHIFT ROD GUIDE	1	
6	25223-94400	SEAL, SHIFT ROD DUST	1	
7	09282-08005	OIL SEAL (8X22X7)	1	
8	25321-93J00	SLIDER, SHIFT HORIZONTAL	1	
9	29116-93J00	BOLT, SHIFT ROD HOUSING	2	
10	09160-08151	WASHER (8.5X26X1.6)	1	
11	09280-60007	O RING (D:3.5,ID:59.6)	1	

FIG.206B

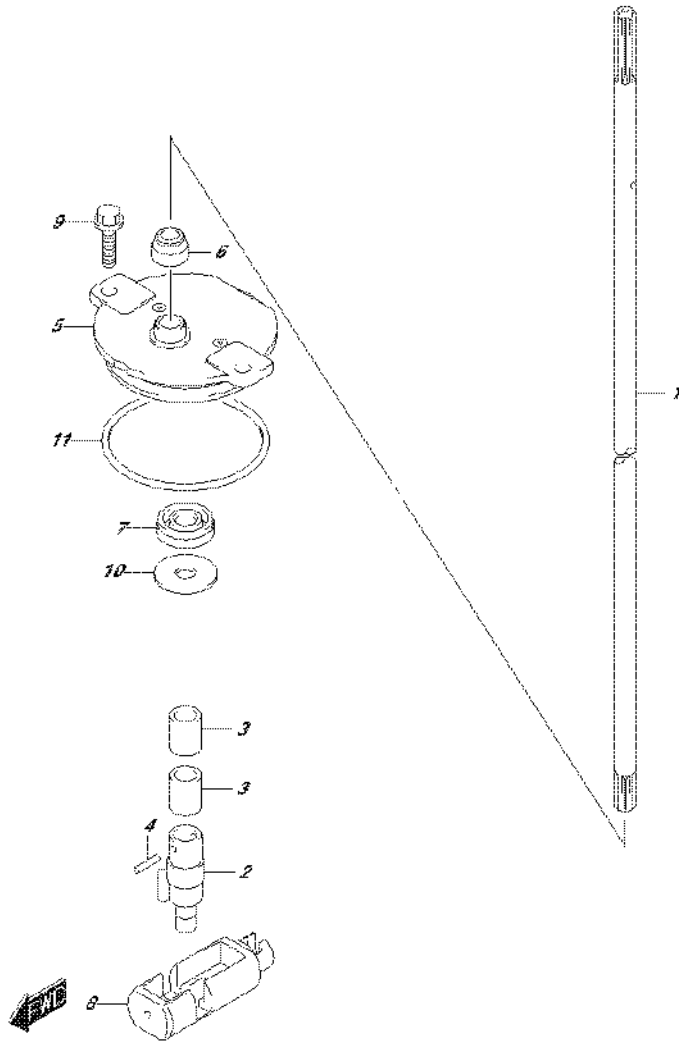


FIG.206B (2-B-5) CLUTCH ROD (DF200T E40)

REF NO.	PART NO.	DESCRIPTION	Q'TY	REMARKS
1	25111-93J00	ROD, SHIFT ASSIST	1	
2	25131-93J00	YOKE, SHIFTER	1	
3	25232-96302	MAGNET, GEAR CASE	2	
4	09205-02006	SPRING PIN (2X12)	2	
5	25141-93J00	HOUSING, SHIFT ROD GUIDE	1	
6	25223-94400	SEAL, SHIFT ROD DUST	1	
7	09282-08005	OIL SEAL (8X22X7)	1	
8	25321-93J00	SLIDER, SHIFT HORIZONTAL	1	
9	29116-93J00	BOLT, SHIFT ROD HOUSING	2	
10	09160-08151	WASHER (8.5X26X1.6)	1	
11	09280-60007	O RING (D;3.5,ID;59.6)	1	

FIG.206C

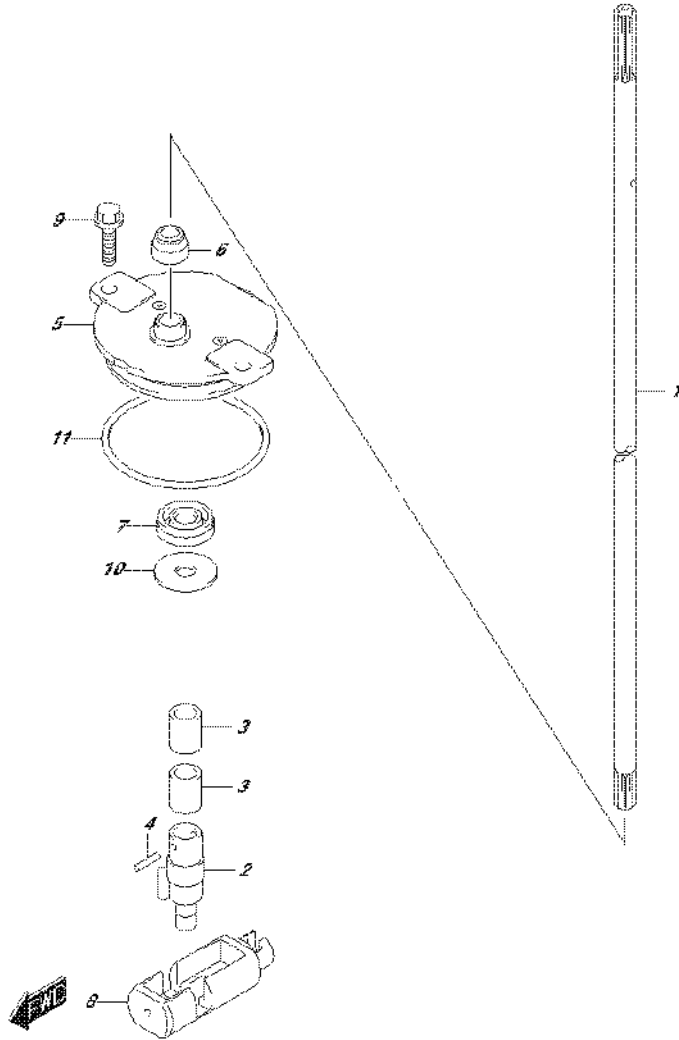


FIG.206C (2-B-6) CLUTCH ROD (DF200Z E01)

REF NO.	PART NO.	DESCRIPTION	Q'TY	REMARKS
1-1	25111-93J00	ROD, SHIFT ASSIST	1	W/TRANSOM(X)
1-2	25111-93J10	ROD, SHIFT ASSIST	1	W/TRANSOM(XX)
2	25131-93J00	YOKE, SHIFTER	1	
3	25232-96302	MAGNET, GEAR CASE	2	
4	09205-02006	SPRING PIN (2X12)	2	
5	25141-93J00	HOUSING, SHIFT ROD GUIDE	1	
6	25223-94400	SEAL, SHIFT ROD DUST	1	
7	09282-08005	OIL SEAL (8X22X7)	1	
8	25321-93J00	SLIDER, SHIFT HORIZONTAL	1	
9	29116-93J00	BOLT, SHIFT ROD HOUSING	2	
10	09160-08151	WASHER (8.5X26X1.6)	1	
11	09280-60007	O RING (D:3.5,ID:59.6)	1	

FIG.206D

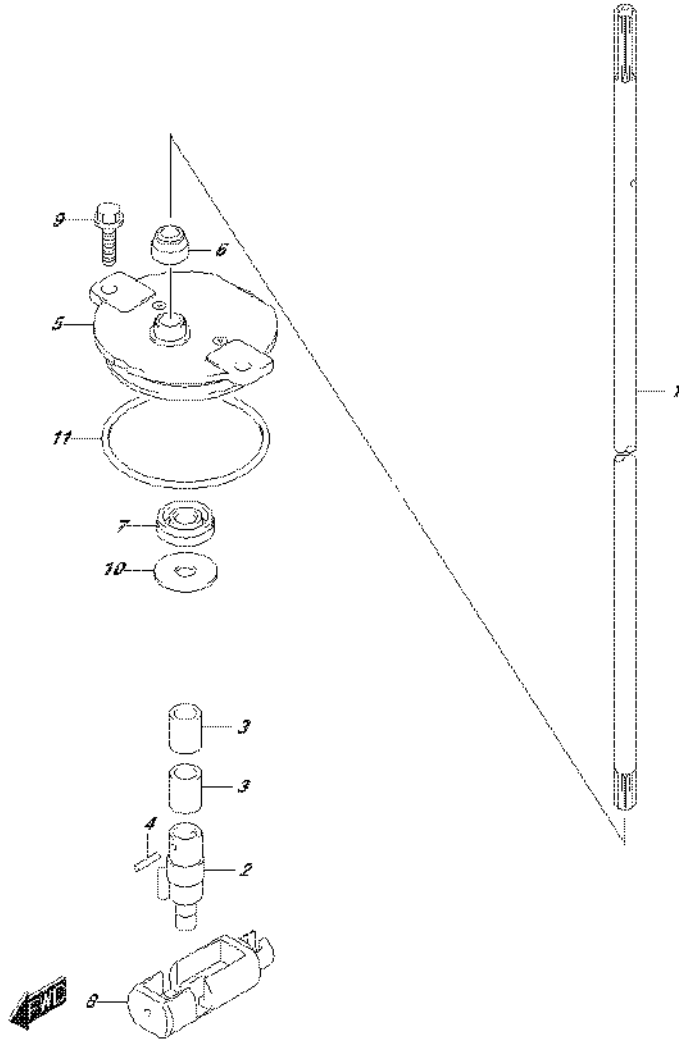


FIG.206D (2-B-7) CLUTCH ROD (DF200Z E40)

REF NO.	PART NO.	DESCRIPTION	Q'TY	REMARKS
1	25111-93J00	ROD, SHIFT ASSIST	1	
2	25131-93J00	YOKE, SHIFTER	1	
3	25232-96302	MAGNET, GEAR CASE	2	
4	09205-02006	SPRING PIN (2X12)	2	
5	25141-93J00	HOUSING, SHIFT ROD GUIDE	1	
6	25223-94400	SEAL, SHIFT ROD DUST	1	
7	09282-08005	OIL SEAL (8X22X7)	1	
8	25321-93J00	SLIDER, SHIFT HORIZONTAL	1	
9	29116-93J00	BOLT, SHIFT ROD HOUSING	2	
10	09160-08151	WASHER (8.5X26X1.6)	1	
11	09280-60007	O RING (D;3.5,ID;59.6)	1	

FIG.206E

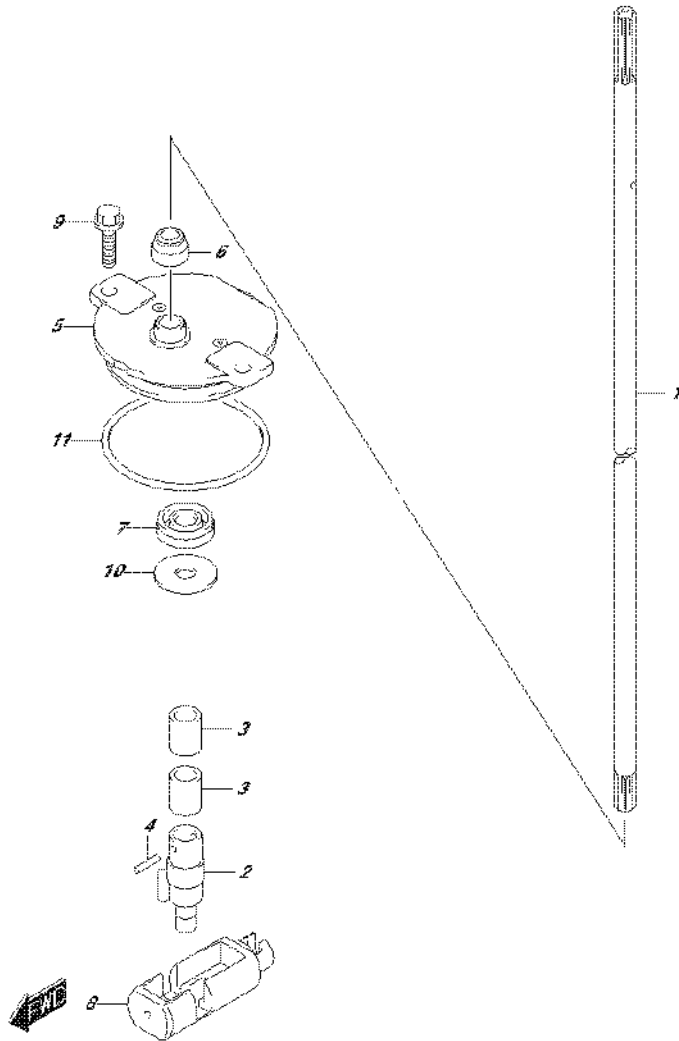


FIG.206E (2-B-8) CLUTCH ROD (DF225T E01)

REF NO.	PART NO.	DESCRIPTION	Q'TY	REMARKS
1-1	25111-93J00	ROD, SHIFT ASSIST	1	W/TRANSOM(X)
1-2	25111-93J10	ROD, SHIFT ASSIST	1	W/TRANSOM(XX)
2	25131-93J00	YOKE, SHIFTER	1	
3	25232-96302	MAGNET, GEAR CASE	2	
4	09205-02006	SPRING PIN (2X12)	2	
5	25141-93J00	HOUSING, SHIFT ROD GUIDE	1	
6	25223-94400	SEAL, SHIFT ROD DUST	1	
7	09282-08005	OIL SEAL (8X22X7)	1	
8	25321-93J00	SLIDER, SHIFT HORIZONTAL	1	
9	29116-93J00	BOLT, SHIFT ROD HOUSING	2	
10	09160-08151	WASHER (8.5X26X1.6)	1	
11	09280-60007	O RING (D:3.5,ID:59.6)	1	

FIG.206F

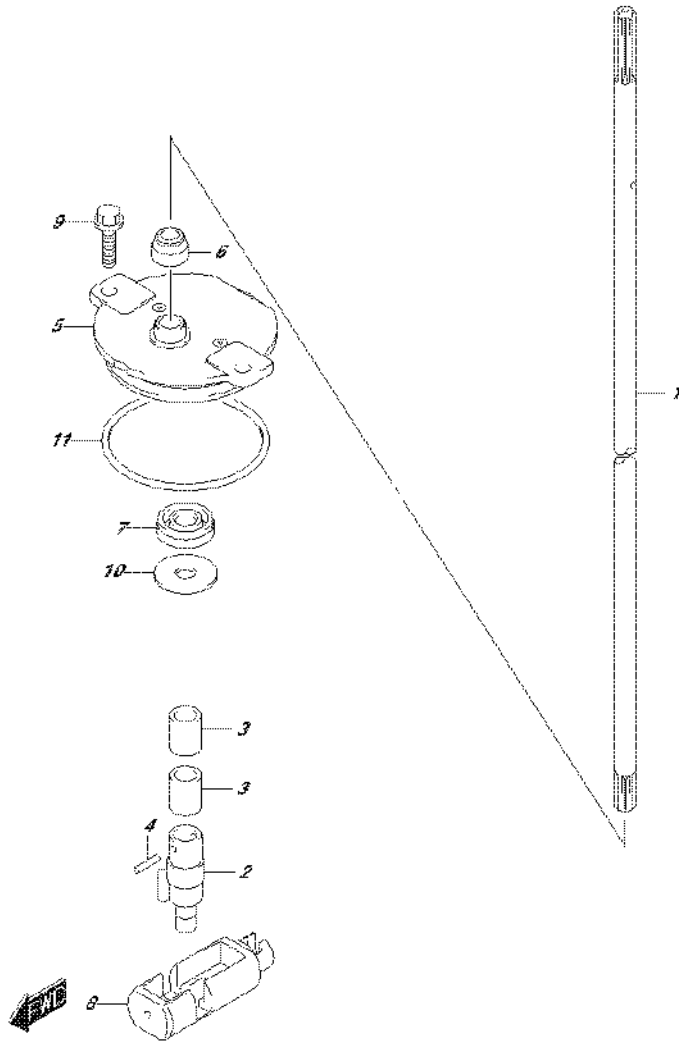


FIG.206F (2-B-9) CLUTCH ROD (DF225T E40)

REF NO.	PART NO.	DESCRIPTION	Q'TY	REMARKS
1-1	25111-93J00	ROD, SHIFT ASSIST	1	W/TRANSOM(X)
1-2	25111-93J10	ROD, SHIFT ASSIST	1	W/TRANSOM(XX)
2	25131-93J00	YOKE, SHIFTER	1	
3	25232-96302	MAGNET, GEAR CASE	2	
4	09205-02006	SPRING PIN (2X12)	2	
5	25141-93J00	HOUSING, SHIFT ROD GUIDE	1	
6	25223-94400	SEAL, SHIFT ROD DUST	1	
7	09282-08005	OIL SEAL (8X22X7)	1	
8	25321-93J00	SLIDER, SHIFT HORIZONTAL	1	
9	29116-93J00	BOLT, SHIFT ROD HOUSING	2	
10	09160-08151	WASHER (8.5X26X1.6)	1	
11	09280-60007	O RING (D:3.5,ID:59.6)	1	

FIG.206G

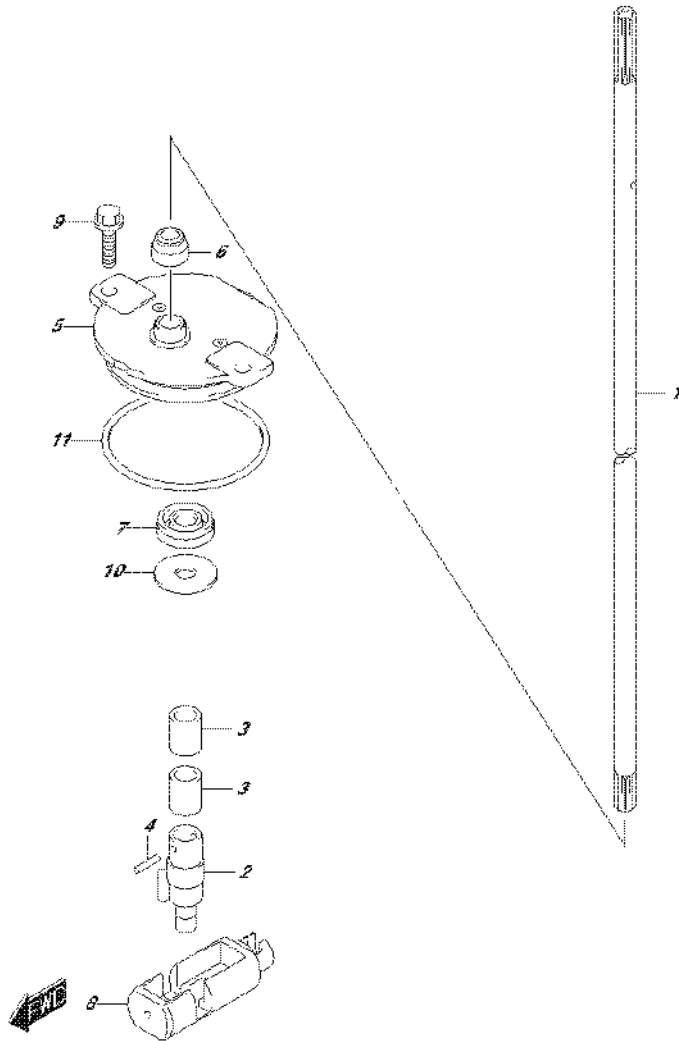


FIG.206G (2-B-10) CLUTCH ROD (DF225Z E01)

REF NO.	PART NO.	DESCRIPTION	Q'TY	REMARKS
1-1	25111-93J00	ROD, SHIFT ASSIST	1	W/TRANSOM(X)
1-2	25111-93J10	ROD, SHIFT ASSIST	1	W/TRANSOM(XX)
2	25131-93J00	YOKE, SHIFTER	1	
3	25232-96302	MAGNET, GEAR CASE	2	
4	09205-02006	SPRING PIN (2X12)	2	
5	25141-93J00	HOUSING, SHIFT ROD GUIDE	1	
6	25223-94400	SEAL, SHIFT ROD DUST	1	
7	09282-08005	OIL SEAL (8X22X7)	1	
8	25321-93J00	SLIDER, SHIFT HORIZONTAL	1	
9	29116-93J00	BOLT, SHIFT ROD HOUSING	2	
10	09160-08151	WASHER (8.5X26X1.6)	1	
11	09280-60007	O RING (D:3.5,ID:59.6)	1	

FIG.206H

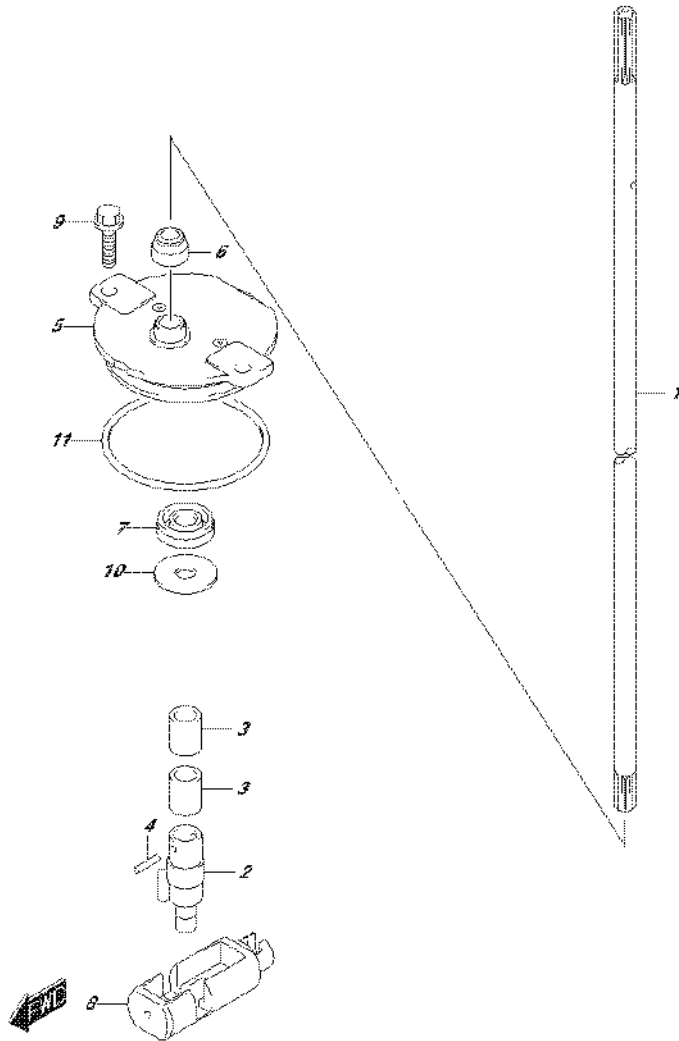


FIG.206H (2-B-11) CLUTCH ROD (DF225Z E40)

REF NO.	PART NO.	DESCRIPTION	Q'TY	REMARKS
1-1	25111-93J00	ROD, SHIFT ASSIST	1	W/TRANSOM(X)
1-2	25111-93J10	ROD, SHIFT ASSIST	1	W/TRANSOM(XX)
2	25131-93J00	YOKE, SHIFTER	1	
3	25232-96302	MAGNET, GEAR CASE	2	
4	09205-02006	SPRING PIN (2X12)	2	
5	25141-93J00	HOUSING, SHIFT ROD GUIDE	1	
6	25223-94400	SEAL, SHIFT ROD DUST	1	
7	09282-08005	OIL SEAL (8X22X7)	1	
8	25321-93J00	SLIDER, SHIFT HORIZONTAL	1	
9	29116-93J00	BOLT, SHIFT ROD HOUSING	2	
10	09160-08151	WASHER (8.5X26X1.6)	1	
11	09280-60007	O RING (D:3.5,ID:59.6)	1	

FIG.206J

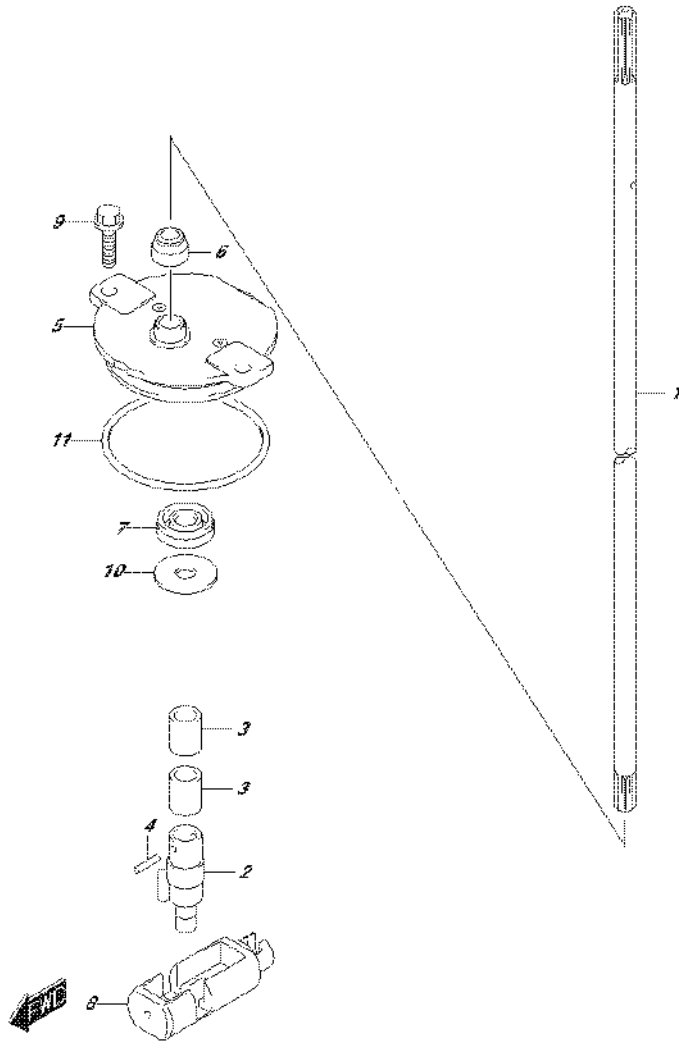


FIG.206J (2-B-12) CLUTCH ROD (DF250T E01)

REF NO.	PART NO.	DESCRIPTION	Q'TY	REMARKS
1-1	25111-93J00	ROD, SHIFT ASSIST	1	W/TRANSOM(X)
1-2	25111-93J10	ROD, SHIFT ASSIST	1	W/TRANSOM(XX)
2	25131-93J00	YOKE, SHIFTER	1	
3	25232-96302	MAGNET, GEAR CASE	2	
4	09205-02006	SPRING PIN (2X12)	2	
5	25141-93J00	HOUSING, SHIFT ROD GUIDE	1	
6	25223-94400	SEAL, SHIFT ROD DUST	1	
7	09282-08005	OIL SEAL (8X22X7)	1	
8	25321-93J00	SLIDER, SHIFT HORIZONTAL	1	
9	29116-93J00	BOLT, SHIFT ROD HOUSING	2	
10	09160-08151	WASHER (8.5X26X1.6)	1	
11	09280-60007	O RING (D:3.5,ID:59.6)	1	

FIG.206K

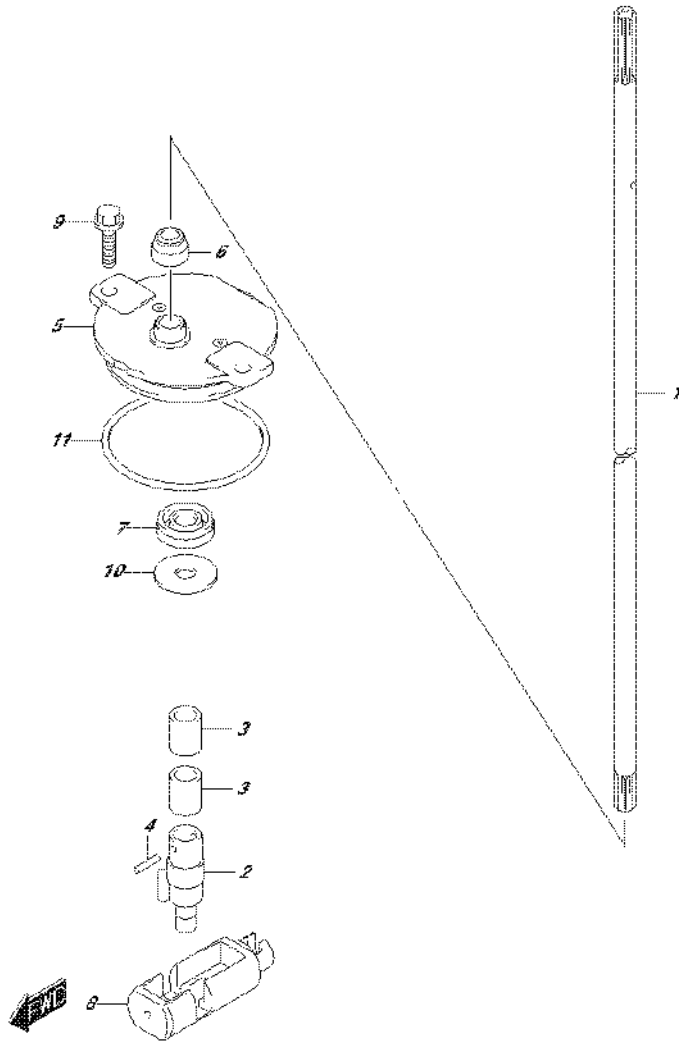


FIG.206K (2-B-13) CLUTCH ROD (DF250T E40)

REF NO.	PART NO.	DESCRIPTION	Q'TY	REMARKS
1-1	25111-93J00	ROD, SHIFT ASSIST	1	W/TRANSOM(X)
1-2	25111-93J10	ROD, SHIFT ASSIST	1	W/TRANSOM(XX)
2	25131-93J00	YOKE, SHIFTER	1	
3	25232-96302	MAGNET, GEAR CASE	2	
4	09205-02006	SPRING PIN (2X12)	2	
5	25141-93J00	HOUSING, SHIFT ROD GUIDE	1	
6	25223-94400	SEAL, SHIFT ROD DUST	1	
7	09282-08005	OIL SEAL (8X22X7)	1	
8	25321-93J00	SLIDER, SHIFT HORIZONTAL	1	
9	29116-93J00	BOLT, SHIFT ROD HOUSING	2	
10	09160-08151	WASHER (8.5X26X1.6)	1	
11	09280-60007	O RING (D:3.5,ID:59.6)	1	

FIG.206L

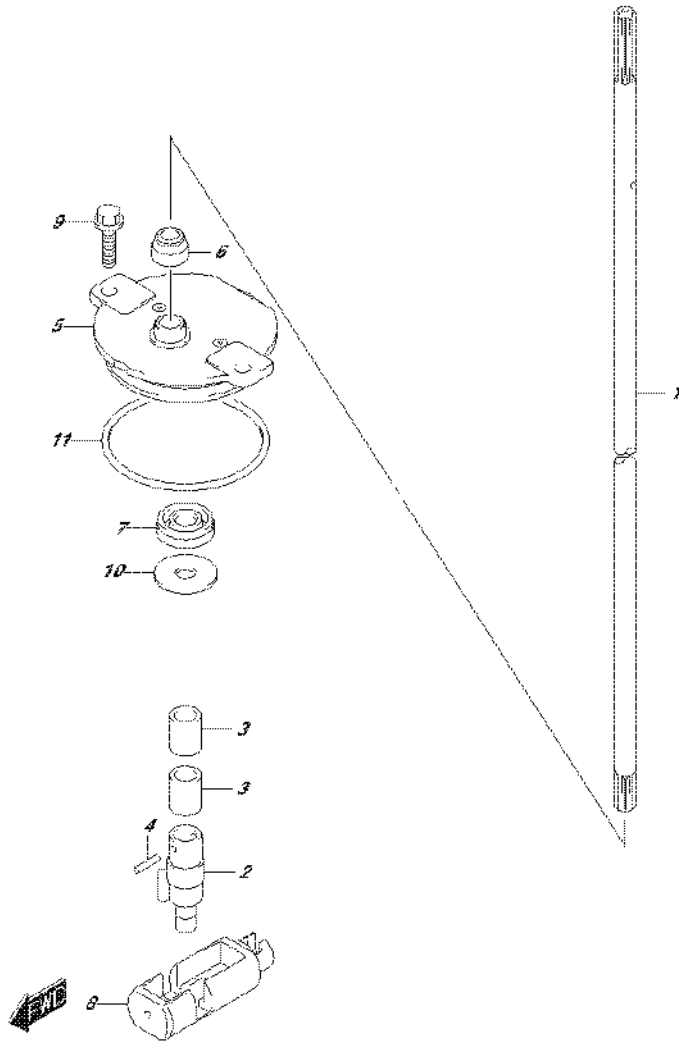


FIG.206L (2-B-14) CLUTCH ROD (DF250Z E01)

REF NO.	PART NO.	DESCRIPTION	Q'TY	REMARKS
1-1	25111-93J00	ROD, SHIFT ASSIST	1	W/TRANSOM(X)
1-2	25111-93J10	ROD, SHIFT ASSIST	1	W/TRANSOM(XX)
2	25131-93J00	YOKE, SHIFTER	1	
3	25232-96302	MAGNET, GEAR CASE	2	
4	09205-02006	SPRING PIN (2X12)	2	
5	25141-93J00	HOUSING, SHIFT ROD GUIDE	1	
6	25223-94400	SEAL, SHIFT ROD DUST	1	
7	09282-08005	OIL SEAL (8X22X7)	1	
8	25321-93J00	SLIDER, SHIFT HORIZONTAL	1	
9	29116-93J00	BOLT, SHIFT ROD HOUSING	2	
10	09160-08151	WASHER (8.5X26X1.6)	1	
11	09280-60007	O RING (D:3.5,ID:59.6)	1	

FIG.206M

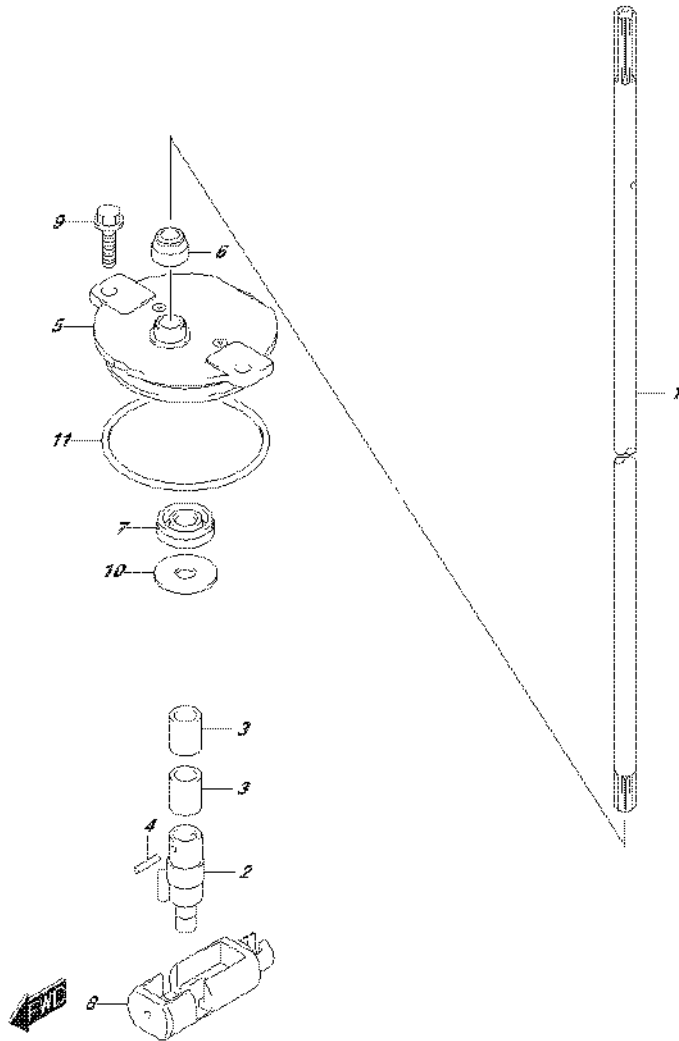
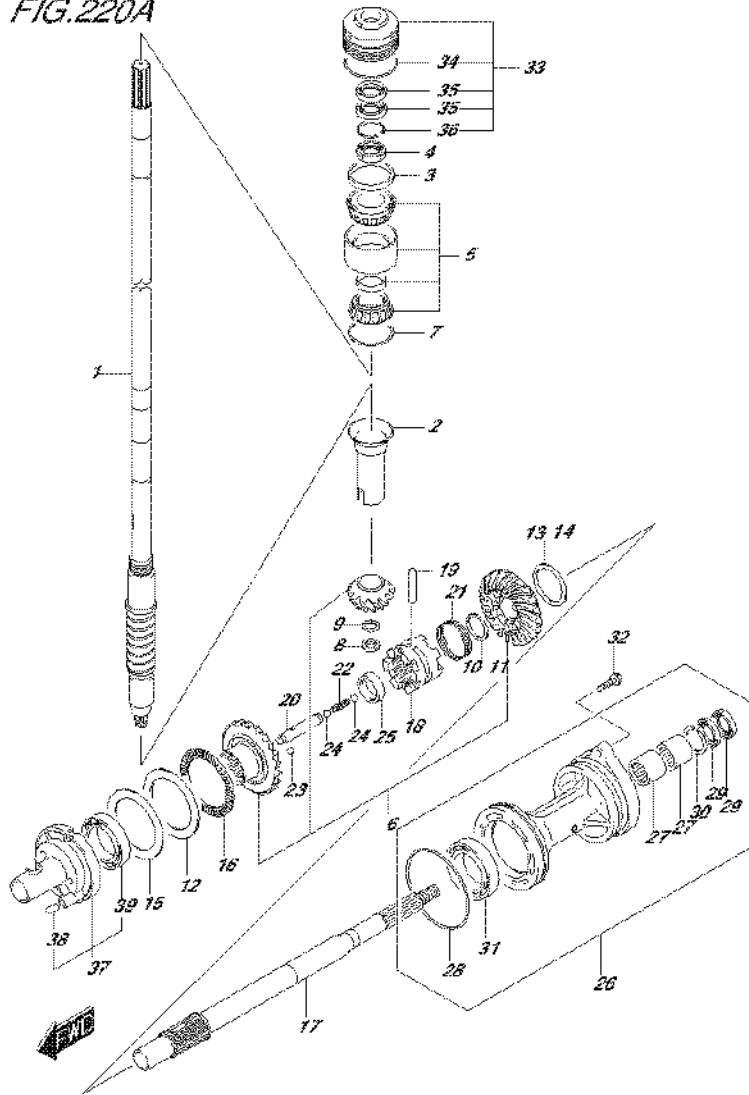


FIG.206M (2-B-15) CLUTCH ROD (DF250Z E40)

REF NO.	PART NO.	DESCRIPTION	Q'TY	REMARKS
1-1	25111-93J00	ROD, SHIFT ASSIST	1	W/TRANSOM(X)
1-2	25111-93J10	ROD, SHIFT ASSIST	1	W/TRANSOM(XX)
2	25131-93J00	YOKE, SHIFTER	1	
3	25232-96302	MAGNET, GEAR CASE	2	
4	09205-02006	SPRING PIN (2X12)	2	
5	25141-93J00	HOUSING, SHIFT ROD GUIDE	1	
6	25223-94400	SEAL, SHIFT ROD DUST	1	
7	09282-08005	OIL SEAL (8X22X7)	1	
8	25321-93J00	SLIDER, SHIFT HORIZONTAL	1	
9	29116-93J00	BOLT, SHIFT ROD HOUSING	2	
10	09160-08151	WASHER (8.5X26X1.6)	1	
11	09280-60007	O RING (D:3.5,ID:59.6)	1	

FIG.220A



DF250_E01_016_220A
TRANSMISSION

FIG.220A (2-C-2) TRANSMISSION (DF200T E01)

REF NO.	PART NO.	DESCRIPTION	Q'TY	REMARKS
1-1	57110-93J20	SHAFT, DRIVE	1	W/TRANSOM(X)
1-2	57110-93J30	SHAFT, DRIVE	1	W/TRANSOM(XX)
1-3	57110-96J50	SHAFT, DRIVE	1	W/TRANSOM(L)
2	57133-93J00	COLLAR, DRIVE SHAFT	1	
3	57134-93J00	SPACER, DRIVE SHAFT BEARING	1	
4	09159-28003	NUT	1	
5	09269-32001	BEARING (32X66X49)	1	
6	57300-93860	PINION/GEAR SET	1	
7-1	09181-60004	SHIM (T:0.45)	1	
7-2	09181-60005	SHIM (T:0.50)	1	
7-3	09181-60006	SHIM (T:0.55)	1	
7-4	09181-60007	SHIM (T:0.60)	1	
7-5	09181-60008	SHIM (T:0.65)	1	
7-6	09181-60009	SHIM (T:0.70)	1	
7-7	09181-60010	SHIM (T:0.75)	1	
7-8	09181-60011	SHIM (T:0.80)	1	
7-9	09181-60012	SHIM (T:0.85)	1	
7-10	09181-60013	SHIM (T:0.90)	1	
8	09140-16021	NUT	1	
9	08221-16256	WASHER	1	
10	57500-87861	SHIM SET, PROP SHAFT REV	1	
11-1	08211-30382	.WASHER (T:1.5)	1	
11-2	09160-30036	.WASHER (T:1.7)	1	
11-3	09160-30037	.WASHER (T:1.9)	1	
11-4	09160-30038	.WASHER (T:2.1)	1	
11-5	08211-30384	.WASHER (T:2.2)	1	
11-6	09160-30039	.WASHER (T:2.3)	1	
11-7	09160-30041	.WASHER (T:2.4)	1	
11-8	08211-30385	.WASHER (T:2.5)	1	
11-9	09160-30042	.WASHER (T:2.6)	1	
11-10	09160-30043	.WASHER (T:2.7)	1	
11-11	09160-30044	.WASHER (T:2.8)	1	
12	09160-75002	WASHER (75X100X2)	1	FWD GEAR

DF250_E01_016

FIG.220A

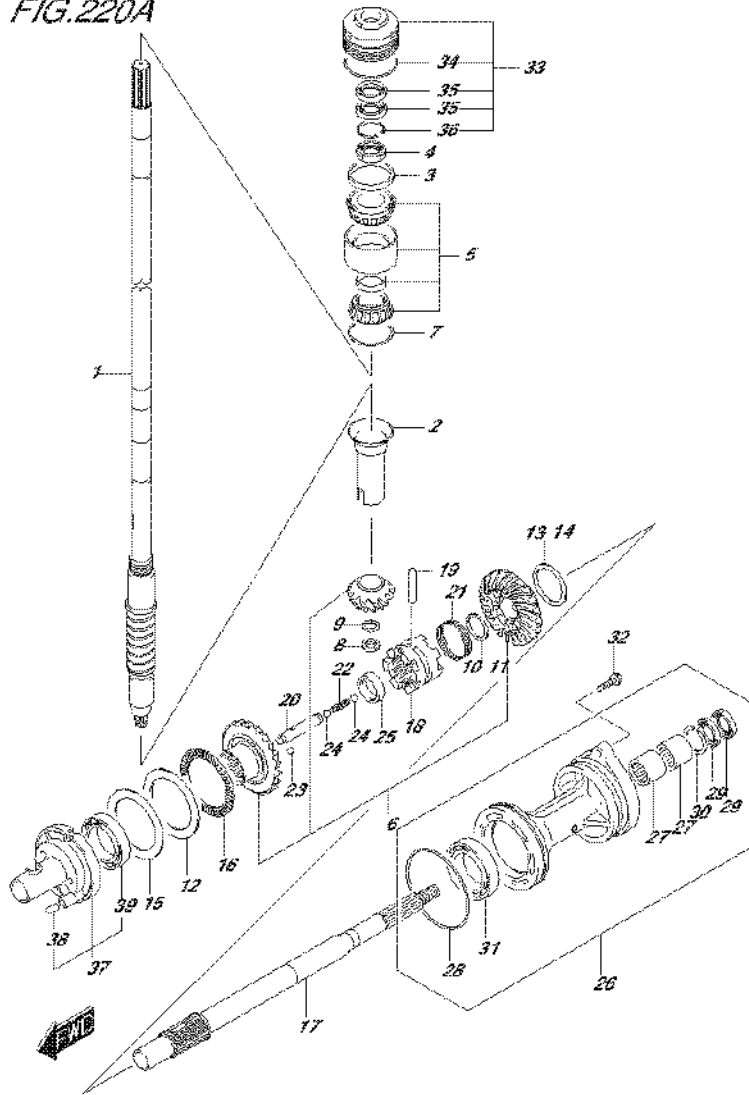


FIG.220A (2-C-3) TRANSMISSION (DF200T E01)

REF NO.	PART NO.	DESCRIPTION	Q'TY	REMARKS
13	57500-87852	SHIM SET, REV GEAR	1	
14-1	09181-50013	.SHIM (T:1.0)	1	REV GEAR
14-2	09181-50012	.SHIM (T:1.1)	1	REV GEAR
14-3	09181-50005	.SHIM (T:1.2)	1	REV GEAR
14-4	09181-50006	.SHIM (T:1.3)	1	REV GEAR
14-5	09181-50007	.SHIM (T:1.4)	1	REV GEAR
14-6	09181-50008	.SHIM (T:1.5)	1	REV GEAR
14-7	09181-50009	.SHIM (T:1.6)	1	REV GEAR
14-8	09181-50010	.SHIM (T:1.7)	1	REV GEAR
15-1	09181-75018	SHIM (T:0.50)	1	FWD GEAR
15-2	09181-75019	SHIM (T:0.55)	1	FWD GEAR
15-3	09181-75012	SHIM (T:0.60)	1	FWD GEAR
15-4	09181-75013	SHIM (T:0.65)	1	FWD GEAR
15-5	09181-75008	SHIM (T:0.70)	1	FWD GEAR
15-6	09181-75014	SHIM (T:0.75)	1	FWD GEAR
15-7	09181-75009	SHIM (T:0.80)	1	FWD GEAR
15-8	09181-75015	SHIM (T:0.85)	1	FWD GEAR
15-9	09181-75010	SHIM (T:0.90)	1	FWD GEAR
15-10	09181-75016	SHIM (T:0.95)	1	FWD GEAR
15-11	09181-75011	SHIM (T:1.00)	1	FWD GEAR
16	09269-75002	BEARING (75X100X4)	1	
17	57610-93J00	SHAFT, PROPELLER	1	
18	57621-93J10	SHIFTER, CLUTCH DOG	1	
19	09202-08007	PIN (8X49)	1	
20	57631-93J00	PIN, CONNECTOR	1	
21	09440-52003	SPRING	1	
22	09440-09040	SPRING	1	
23	06111-07004	BALL	2	
24	06111-11004	BALL	2	
25	09180-25082	SPACER (25X36.5X9.5)	1	

FIG.220A

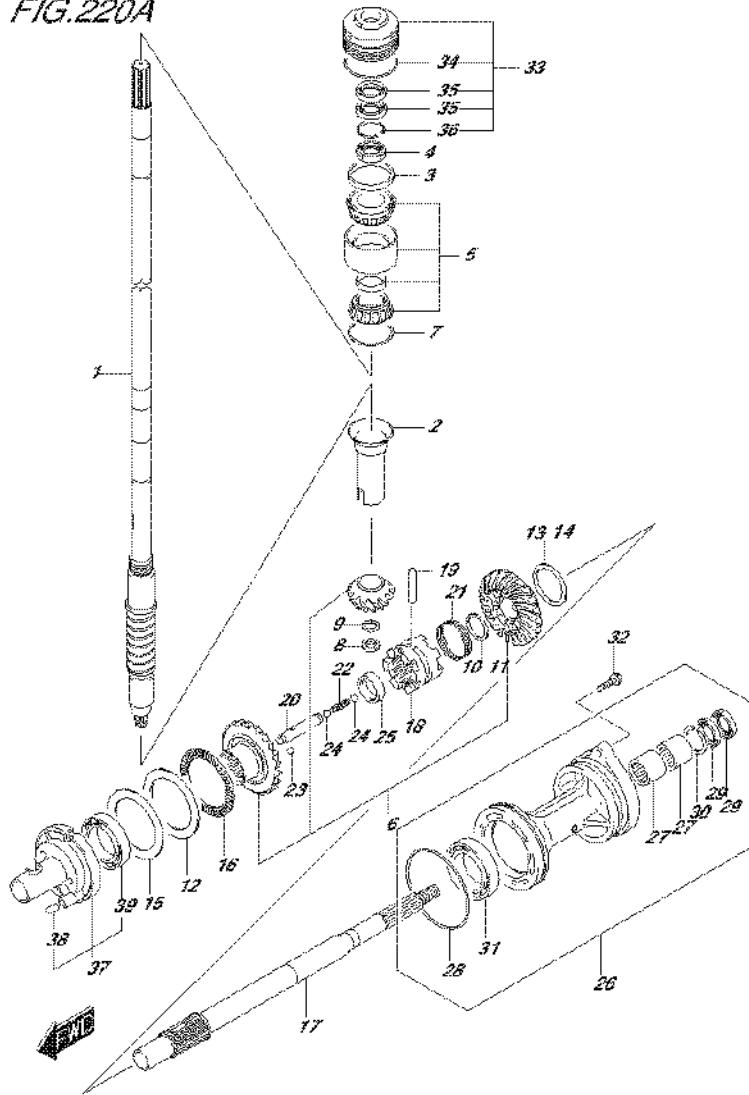


FIG.220A (2-C-4) TRANSMISSION (DF200T E01)

REF NO.	PART NO.	DESCRIPTION	Q'TY	REMARKS
26-1	56120-93J03-0EP	HOUSING, PROP SFT BRG (BLACK)	1	
26-2	56120-93J03-Y5S	HOUSING, PROP SFT BRG (WHITE)	1	
27	09263-30023	.BEARING (30X40X25)	2	
28	09280-00040	.O RING (D:3.1,ID:104.4)	1	
29	09282-30006	.OIL SEAL (30X45X6)	2	
30	09381-40003	.CIRCLIP	1	
31	08113-60100	.BEARING	1	
32	09116-08158	BOLT (8X35)	2	
33	56130-93J02	HOUSING, DRIVE SHAFT BRG	1	
34	09280-66004	.O RING (D:3.1,ID:65.4)	1	
35	09282-24004	.OIL SEAL (24X40X7)	2	
36	09381-40003	.CIRCLIP	1	
37	56140-93J01	HOUSING, FWD GEAR BRG	1	
38	04221-08129	.PIN	1	
39	09263-50009	.BEARING (50X65X25)	1	

FIG.220B

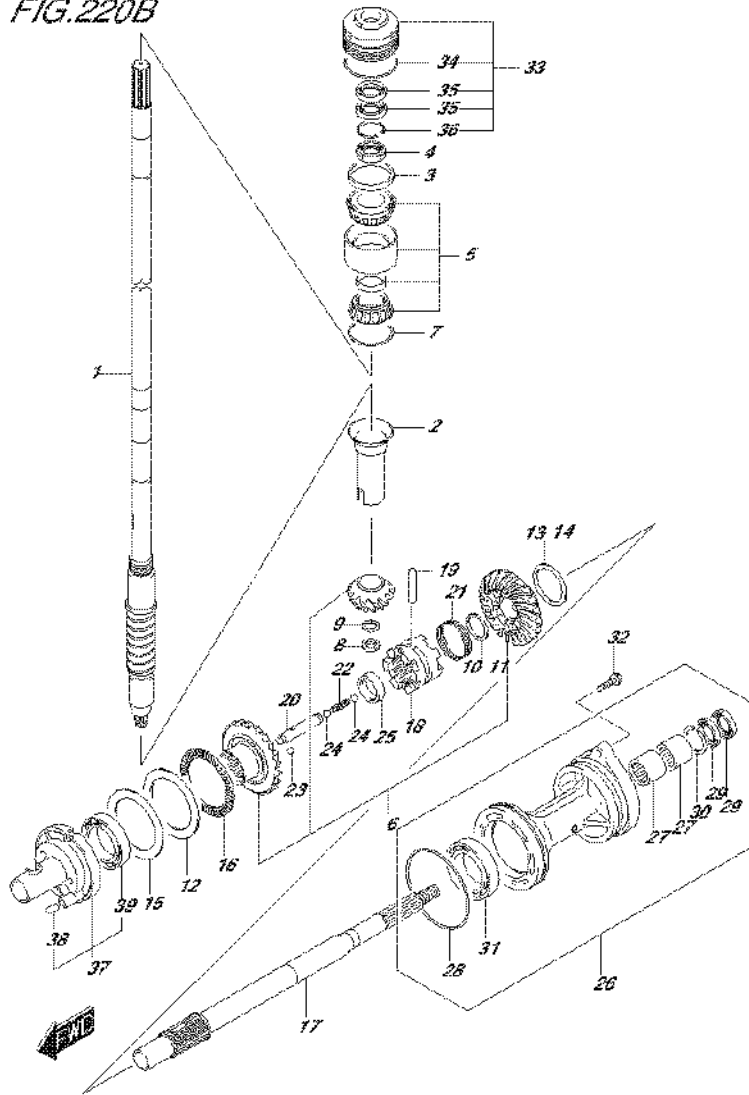


FIG.220B (2-C-5) TRANSMISSION (DF200T E40)

REF NO.	PART NO.	DESCRIPTION	Q'TY	REMARKS
1-1	57110-93J20	SHAFT, DRIVE	1	W/TRANSOM(X)
1-2	57110-96J50	SHAFT, DRIVE	1	W/TRANSOM(L)
2	57133-93J00	COLLAR, DRIVE SHAFT	1	
3	57134-93J00	SPACER, DRIVE SHAFT BEARING	1	
4	09159-28003	NUT	1	
5	09269-32001	BEARING (32X66X49)	1	
6	57300-93860	PINION/GEAR SET	1	
7-1	09181-60004	SHIM (T:0.45)	1	
7-2	09181-60005	SHIM (T:0.50)	1	
7-3	09181-60006	SHIM (T:0.55)	1	
7-4	09181-60007	SHIM (T:0.60)	1	
7-5	09181-60008	SHIM (T:0.65)	1	
7-6	09181-60009	SHIM (T:0.70)	1	
7-7	09181-60010	SHIM (T:0.75)	1	
7-8	09181-60011	SHIM (T:0.80)	1	
7-9	09181-60012	SHIM (T:0.85)	1	
7-10	09181-60013	SHIM (T:0.90)	1	
8	09140-16021	NUT	1	
9	08221-16256	WASHER	1	
10	57500-87861	SHIM SET, PROP SHAFT REV	1	
11-1	08211-30382	.WASHER (T:1.5)	1	
11-2	09160-30036	.WASHER (T:1.7)	1	
11-3	09160-30037	.WASHER (T:1.9)	1	
11-4	09160-30038	.WASHER (T:2.1)	1	
11-5	08211-30384	.WASHER (T:2.2)	1	
11-6	09160-30039	.WASHER (T:2.3)	1	
11-7	09160-30041	.WASHER (T:2.4)	1	
11-8	08211-30385	.WASHER (T:2.5)	1	
11-9	09160-30042	.WASHER (T:2.6)	1	
11-10	09160-30043	.WASHER (T:2.7)	1	
11-11	09160-30044	.WASHER (T:2.8)	1	
12	09160-75002	WASHER (75X100X2)	1	FWD GEAR

FIG.220B

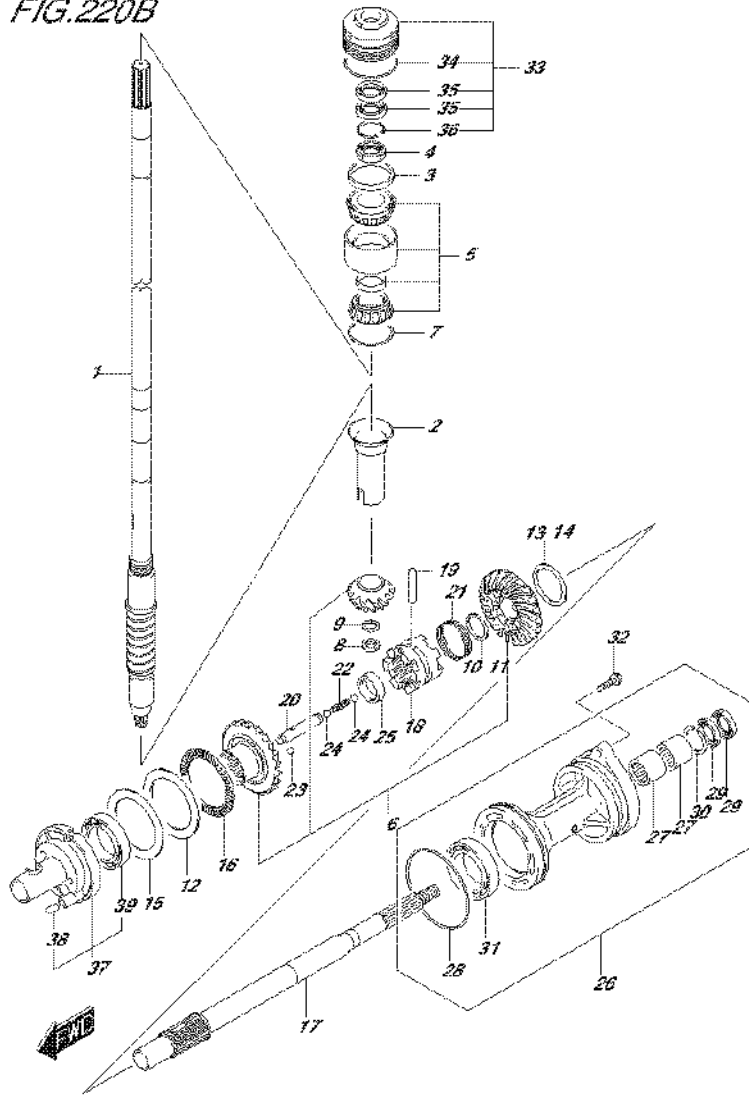


FIG.220B (2-C-6) TRANSMISSION (DF200T E40)

REF NO.	PART NO.	DESCRIPTION	Q'TY	REMARKS
13	57500-87852	SHIM SET, REV GEAR	1	
14-1	09181-50013	.SHIM (T:1.0)	1	REV GEAR
14-2	09181-50012	.SHIM (T:1.1)	1	REV GEAR
14-3	09181-50005	.SHIM (T:1.2)	1	REV GEAR
14-4	09181-50006	.SHIM (T:1.3)	1	REV GEAR
14-5	09181-50007	.SHIM (T:1.4)	1	REV GEAR
14-6	09181-50008	.SHIM (T:1.5)	1	REV GEAR
14-7	09181-50009	.SHIM (T:1.6)	1	REV GEAR
14-8	09181-50010	.SHIM (T:1.7)	1	REV GEAR
15-1	09181-75018	SHIM (T:0.50)	1	FWD GEAR
15-2	09181-75019	SHIM (T:0.55)	1	FWD GEAR
15-3	09181-75012	SHIM (T:0.60)	1	FWD GEAR
15-4	09181-75013	SHIM (T:0.65)	1	FWD GEAR
15-5	09181-75008	SHIM (T:0.70)	1	FWD GEAR
15-6	09181-75014	SHIM (T:0.75)	1	FWD GEAR
15-7	09181-75009	SHIM (T:0.80)	1	FWD GEAR
15-8	09181-75015	SHIM (T:0.85)	1	FWD GEAR
15-9	09181-75010	SHIM (T:0.90)	1	FWD GEAR
15-10	09181-75016	SHIM (T:0.95)	1	FWD GEAR
15-11	09181-75011	SHIM (T:1.00)	1	FWD GEAR
16	09269-75002	BEARING (75X100X4)	1	
17	57610-93J00	SHAFT, PROPELLER	1	
18	57621-93J10	SHIFTER, CLUTCH DOG	1	
19	09202-08007	PIN (8X49)	1	
20	57631-93J00	PIN, CONNECTOR	1	
21	09440-52003	SPRING	1	
22	09440-09040	SPRING	1	
23	06111-07004	BALL	2	
24	06111-11004	BALL	2	
25	09180-25082	SPACER (25X36.5X9.5)	1	

FIG.220B

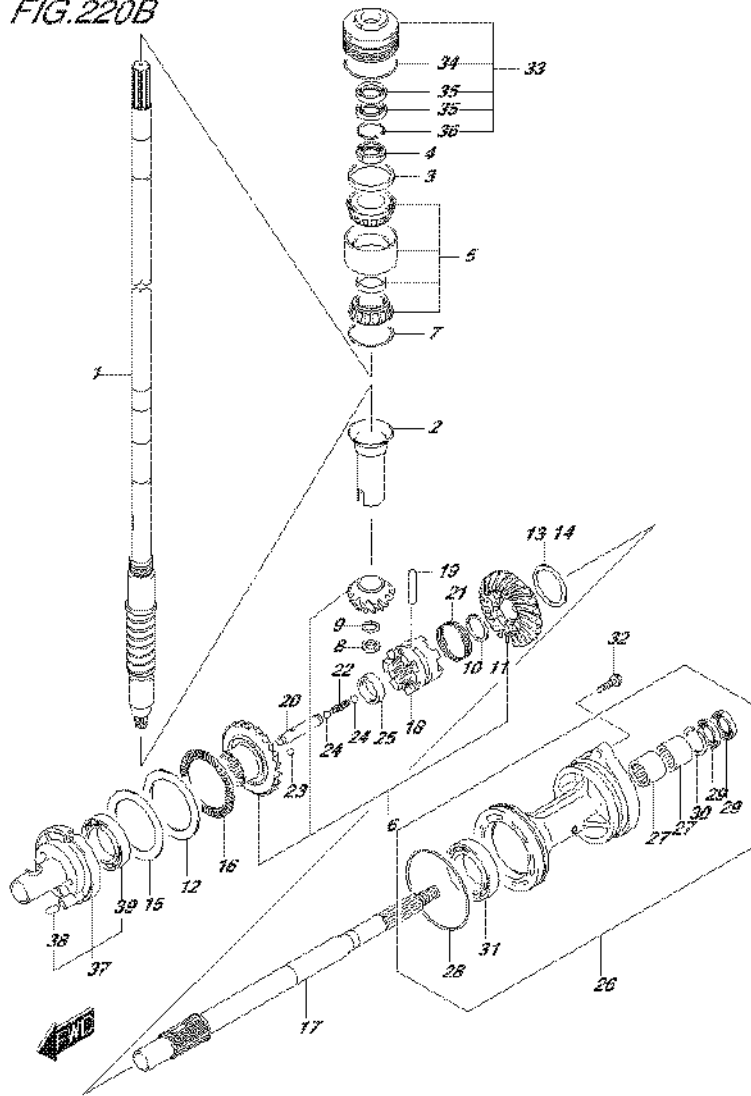


FIG.220B (2-C-7) TRANSMISSION (DF200T E40)

REF NO.	PART NO.	DESCRIPTION	Q'TY	REMARKS
26-1	56120-93J03-0EP	HOUSING, PROP SFT BRG (BLACK)	1	
26-2	56120-93J03-Y5S	HOUSING, PROP SFT BRG (WHITE)	1	
27	09263-30023	.BEARING (30X40X25)	2	
28	09280-00040	.O RING (D:3.1,ID:104.4)	1	
29	09282-30006	.OIL SEAL (30X45X6)	2	
30	09381-40003	.CIRCLIP	1	
31	08113-60100	.BEARING	1	
32	09116-08158	BOLT (8X35)	2	
33	56130-93J02	HOUSING, DRIVE SHAFT BRG	1	
34	09280-66004	.O RING (D:3.1,ID:65.4)	1	
35	09282-24004	.OIL SEAL (24X40X7)	2	
36	09381-40003	.CIRCLIP	1	
37	56140-93J01	HOUSING, FWD GEAR BRG	1	
38	04221-08129	.PIN	1	
39	09263-50009	.BEARING (50X65X25)	1	

FIG.220C

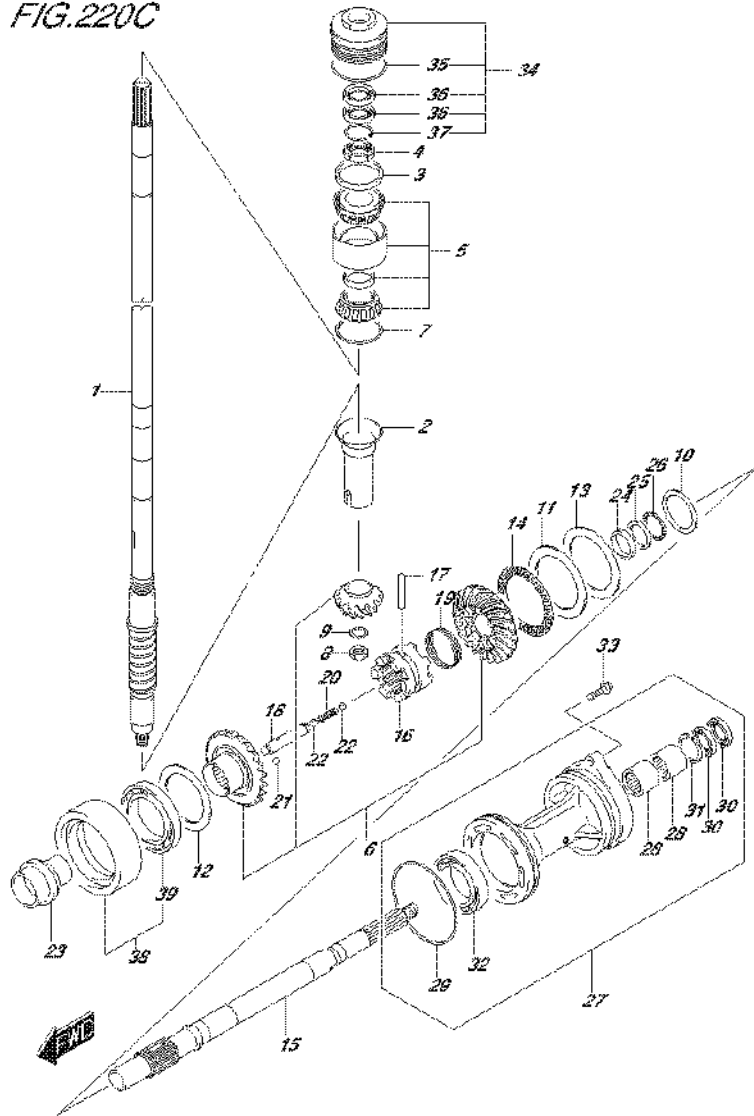


FIG.220C (2-C-8) TRANSMISSION (DF200Z E01)

REF NO.	PART NO.	DESCRIPTION	Q'TY	REMARKS
1-1	57110-93J20	SHAFT, DRIVE	1	W/TRANSOM(X)
1-2	57110-93J30	SHAFT, DRIVE	1	W/TRANSOM(XX)
2	57133-93J00	COLLAR, DRIVE SHAFT	1	
3	57134-93J00	SPACER, DRIVE SHAFT BEARING	1	
4	09159-28003	NUT	1	
5	09269-32001	BEARING (32X66X49)	1	
6	57300-93870	PINION/GEAR SET	1	
7-1	09181-60004	SHIM (T:0.45)	1	
7-2	09181-60005	SHIM (T:0.50)	1	
7-3	09181-60006	SHIM (T:0.55)	1	
7-4	09181-60007	SHIM (T:0.60)	1	
7-5	09181-60008	SHIM (T:0.65)	1	
7-6	09181-60009	SHIM (T:0.70)	1	
7-7	09181-60010	SHIM (T:0.75)	1	
7-8	09181-60011	SHIM (T:0.80)	1	
7-9	09181-60012	SHIM (T:0.85)	1	
7-10	09181-60013	SHIM (T:0.90)	1	
8	09140-16021	NUT	1	
9	08221-16256	WASHER	1	
10-1	09160-35015	WASHER (T:0.60)	1	PROP SHAFT REV
10-2	09160-35013	WASHER (T:0.80)	1	PROP SHAFT REV
10-3	09160-35010	WASHER (T:1.15)	1	PROP SHAFT REV
10-4	09160-35004	WASHER (T:1.20)	1	PROP SHAFT REV
10-5	09160-35006	WASHER (T:0.90)	1	PROP SHAFT REV
10-6	09160-35002	WASHER (T:1.00)	1	PROP SHAFT REV
10-7	09160-35008	WASHER (T:0.95)	1	PROP SHAFT REV
10-8	09160-35003	WASHER (T:1.10)	1	PROP SHAFT REV
10-9	09160-35009	WASHER (T:1.05)	1	PROP SHAFT REV

FIG.220C

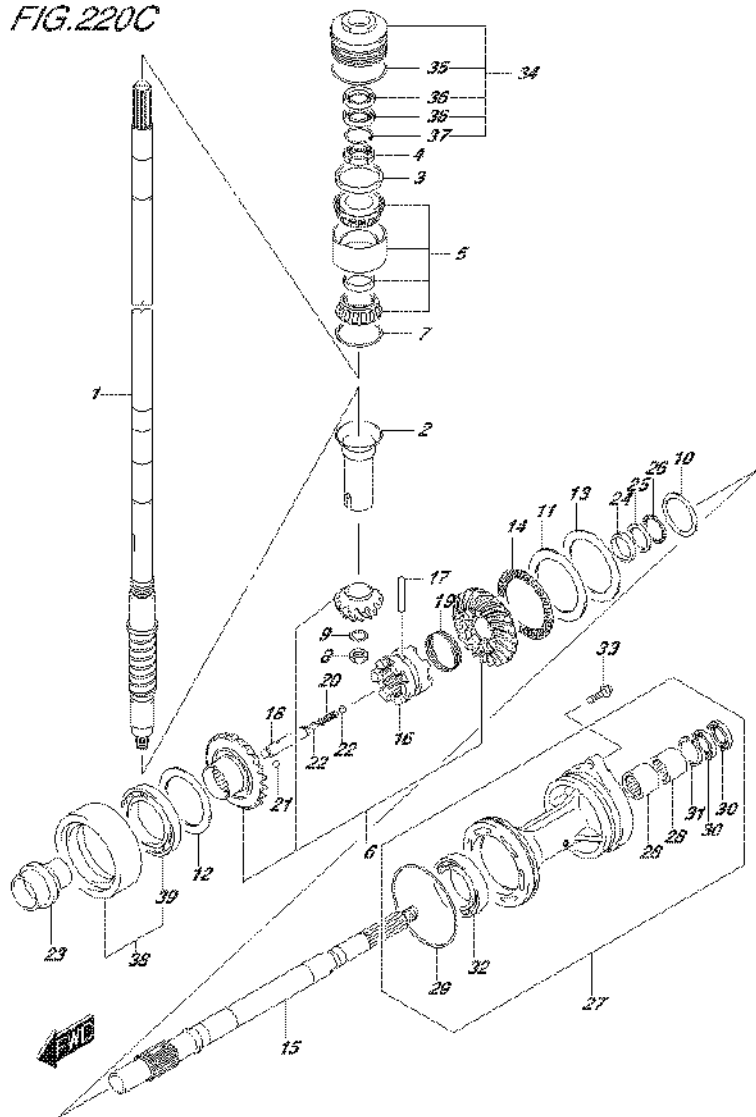


FIG.220C (2-C-9) TRANSMISSION (DF200Z E01)

REF NO.	PART NO.	DESCRIPTION	Q'TY	REMARKS
11	09160-75002	WASHER (75X100X2)	1	FWD GEAR
12-1	09181-60004	SHIM (T:0.45)	1	REV GEAR
12-2	09181-60005	SHIM (T:0.50)	1	REV GEAR
12-3	09181-60006	SHIM (T:0.55)	1	REV GEAR
12-4	09181-60007	SHIM (T:0.60)	1	REV GEAR
12-5	09181-60008	SHIM (T:0.65)	1	REV GEAR
12-6	09181-60009	SHIM (T:0.70)	1	REV GEAR
12-7	09181-60010	SHIM (T:0.75)	1	REV GEAR
12-8	09181-60011	SHIM (T:0.80)	1	REV GEAR
12-9	09181-60012	SHIM (T:0.85)	1	REV GEAR
12-10	09181-60013	SHIM (T:0.90)	1	REV GEAR
13-1	09181-75018	SHIM (T:0.50)	1	FWD GEAR
13-2	09181-75019	SHIM (T:0.55)	1	FWD GEAR
13-3	09181-75012	SHIM (T:0.60)	1	FWD GEAR
13-4	09181-75013	SHIM (T:0.65)	1	FWD GEAR
13-5	09181-75008	SHIM (T:0.70)	1	FWD GEAR
13-6	09181-75014	SHIM (T:0.75)	1	FWD GEAR
13-7	09181-75009	SHIM (T:0.80)	1	FWD GEAR
13-8	09181-75015	SHIM (T:0.85)	1	FWD GEAR
13-9	09181-75010	SHIM (T:0.90)	1	FWD GEAR
13-10	09181-75016	SHIM (T:0.95)	1	FWD GEAR
13-11	09181-75011	SHIM (T:1.00)	1	FWD GEAR
14	09269-75002	BEARING (75X100X4)	1	FWD GEAR
15	57610-93J20	SHAFT, PROPELLER	1	
16	57621-93J20	SHIFTER, CLUTCH DOG	1	
17	09202-08007	PIN (8X49)	1	
18	57631-93J00	PIN, CONNECTOR	1	
19	09440-52003	SPRING	1	
20	09440-09040	SPRING	1	
21	06111-07004	BALL	2	
22	06111-11004	BALL	2	

FIG.220C

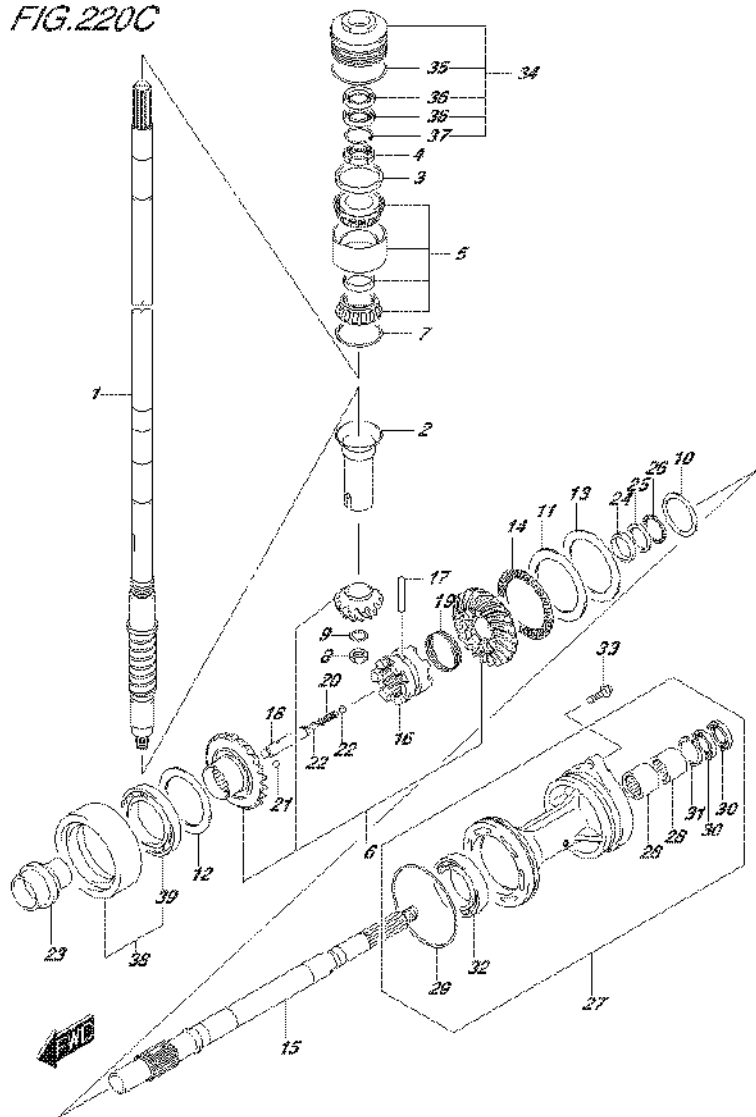
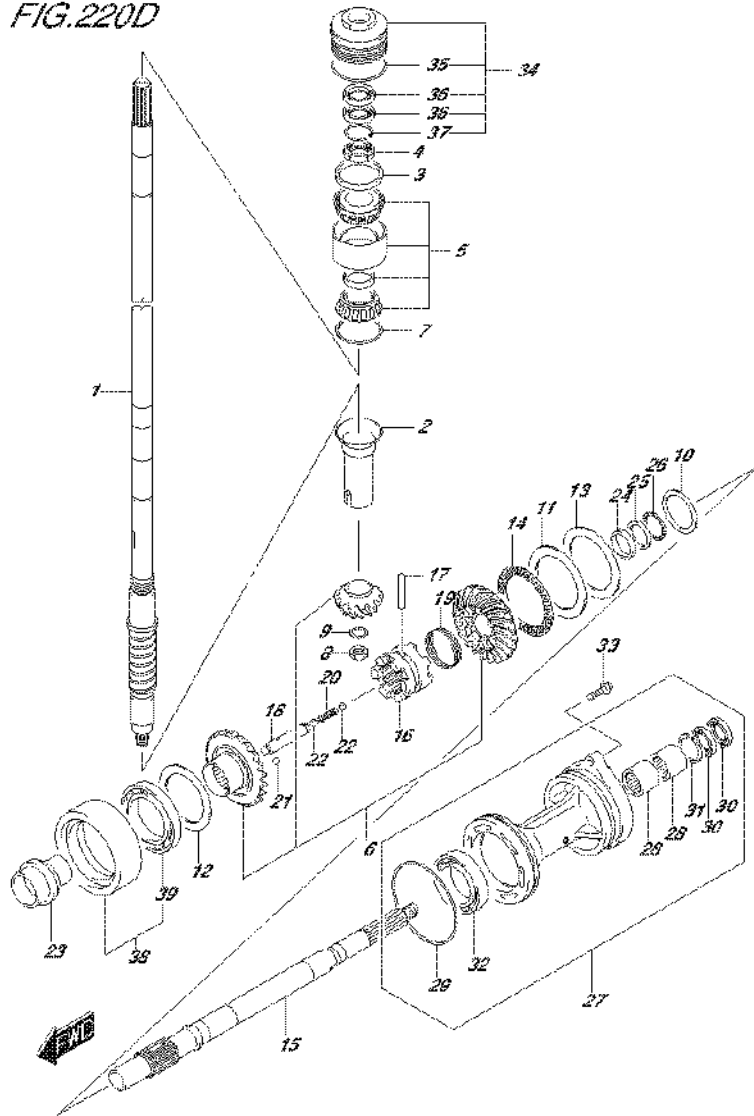


FIG.220C (2-C-10) TRANSMISSION (DF200Z E01)

REF NO.	PART NO.	DESCRIPTION	Q'TY	REMARKS
23	57622-93J00	SPACER, FWD THRUST	1	
24	09160-30055	WASHER (30X47X6)	1	
25	09160-30056	WASHER (32X47X3)	1	
26	09269-30014	BEARING (30X47X2)	1	
27-1	56120-93J13-0EP	HOUSING, PROP SFT BRG (BLACK)	1	
27-2	56120-93J13-Y5S	HOUSING, PROP SFT BRG (WHITE)	1	
28	09263-30023	.BEARING (30X40X25)	2	
29	09280-00040	.O RING (D:3.1,ID:104.4)	1	
30	09282-30006	.OIL SEAL (30X45X6)	2	
31	09381-40003	.CIRCLIP	1	
32	09263-50009	.BEARING (50X65X25)	1	
33	09116-08158	BOLT (8X35)	2	
34	56130-93J02	HOUSING, DRIVE SHAFT BRG	1	
35	09280-66004	.O RING (D:3.1,ID:65.4)	1	
36	09282-24004	.OIL SEAL (24X40X7)	2	
37	09381-40003	.CIRCLIP	1	
38	56140-93J10	HOUSING, REV GEAR BRG	1	
39	09262-60002	.BEARING (60X85X13)	1	

FIG.220D



DF250_E01_016_220D
TRANSMISSION

FIG.220D (2-C-11) TRANSMISSION (DF200Z E40)

REF NO.	PART NO.	DESCRIPTION	Q'TY	REMARKS
1	57110-93J20	SHAFT, DRIVE	1	
2	57133-93J00	COLLAR, DRIVE SHAFT	1	
3	57134-93J00	SPACER, DRIVE SHAFT BEARING	1	
4	09159-28003	NUT	1	
5	09269-32001	BEARING (32X66X49)	1	
6	57300-93870	PINION/GEAR SET	1	
7-1	09181-60004	SHIM (T:0.45)	1	
7-2	09181-60005	SHIM (T:0.50)	1	
7-3	09181-60006	SHIM (T:0.55)	1	
7-4	09181-60007	SHIM (T:0.60)	1	
7-5	09181-60008	SHIM (T:0.65)	1	
7-6	09181-60009	SHIM (T:0.70)	1	
7-7	09181-60010	SHIM (T:0.75)	1	
7-8	09181-60011	SHIM (T:0.80)	1	
7-9	09181-60012	SHIM (T:0.85)	1	
7-10	09181-60013	SHIM (T:0.90)	1	
8	09140-16021	NUT	1	
9	08221-16256	WASHER	1	
10-1	09160-35015	WASHER (T:0.60)	1	PROP SHAFT REV
10-2	09160-35013	WASHER (T:0.80)	1	PROP SHAFT REV
10-3	09160-35010	WASHER (T:1.15)	1	PROP SHAFT REV
10-4	09160-35004	WASHER (T:1.20)	1	PROP SHAFT REV
10-5	09160-35006	WASHER (T:0.90)	1	PROP SHAFT REV
10-6	09160-35002	WASHER (T:1.00)	1	PROP SHAFT REV
10-7	09160-35008	WASHER (T:0.95)	1	PROP SHAFT REV
10-8	09160-35003	WASHER (T:1.10)	1	PROP SHAFT REV
10-9	09160-35009	WASHER (T:1.05)	1	PROP SHAFT REV

DF250_E01_016

FIG.220D

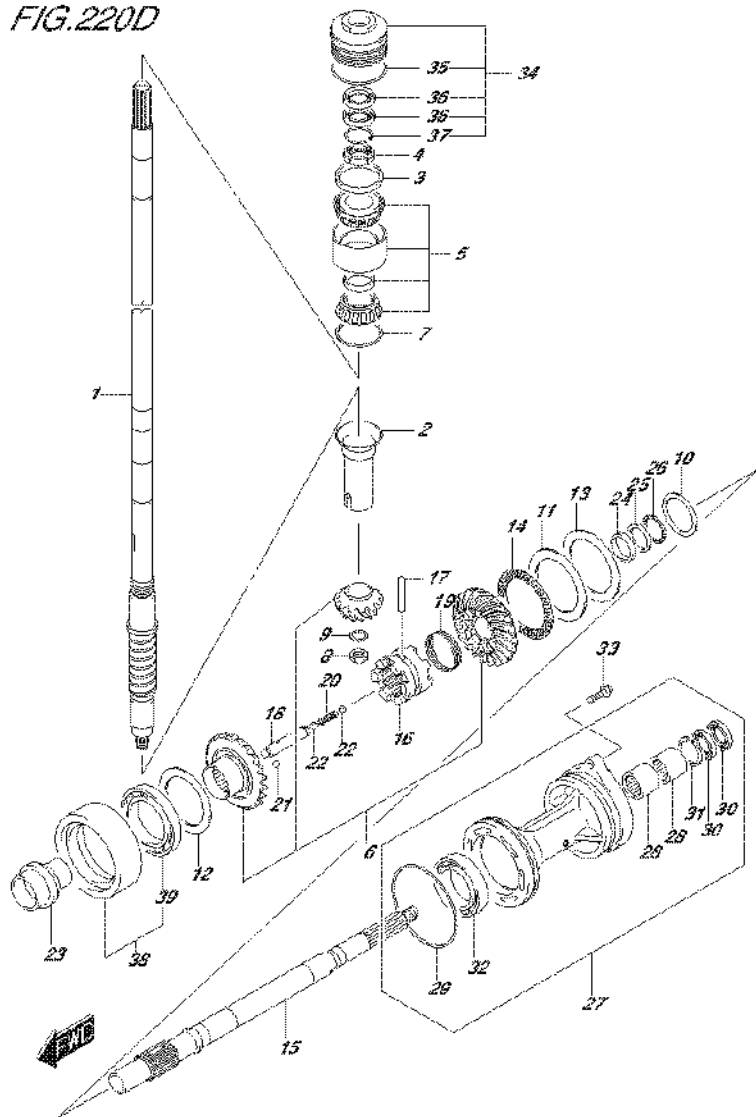


FIG.220D (2-C-12) TRANSMISSION (DF200Z E40)

REF NO.	PART NO.	DESCRIPTION	Q'TY	REMARKS
11	09160-75002	WASHER (75X100X2)	1	FWD GEAR
12-1	09181-60004	SHIM (T:0.45)	1	REV GEAR
12-2	09181-60005	SHIM (T:0.50)	1	REV GEAR
12-3	09181-60006	SHIM (T:0.55)	1	REV GEAR
12-4	09181-60007	SHIM (T:0.60)	1	REV GEAR
12-5	09181-60008	SHIM (T:0.65)	1	REV GEAR
12-6	09181-60009	SHIM (T:0.70)	1	REV GEAR
12-7	09181-60010	SHIM (T:0.75)	1	REV GEAR
12-8	09181-60011	SHIM (T:0.80)	1	REV GEAR
12-9	09181-60012	SHIM (T:0.85)	1	REV GEAR
12-10	09181-60013	SHIM (T:0.90)	1	REV GEAR
13-1	09181-75018	SHIM (T:0.50)	1	FWD GEAR
13-2	09181-75019	SHIM (T:0.55)	1	FWD GEAR
13-3	09181-75012	SHIM (T:0.60)	1	FWD GEAR
13-4	09181-75013	SHIM (T:0.65)	1	FWD GEAR
13-5	09181-75008	SHIM (T:0.70)	1	FWD GEAR
13-6	09181-75014	SHIM (T:0.75)	1	FWD GEAR
13-7	09181-75009	SHIM (T:0.80)	1	FWD GEAR
13-8	09181-75015	SHIM (T:0.85)	1	FWD GEAR
13-9	09181-75010	SHIM (T:0.90)	1	FWD GEAR
13-10	09181-75016	SHIM (T:0.95)	1	FWD GEAR
13-11	09181-75011	SHIM (T:1.00)	1	FWD GEAR
14	09269-75002	BEARING (75X100X4)	1	FWD GEAR
15	57610-93J20	SHAFT, PROPELLER	1	
16	57621-93J20	SHIFTER, CLUTCH DOG	1	
17	09202-08007	PIN (8X49)	1	
18	57631-93J00	PIN, CONNECTOR	1	
19	09440-52003	SPRING	1	
20	09440-09040	SPRING	1	
21	06111-07004	BALL	2	
22	06111-11004	BALL	2	

FIG.220D

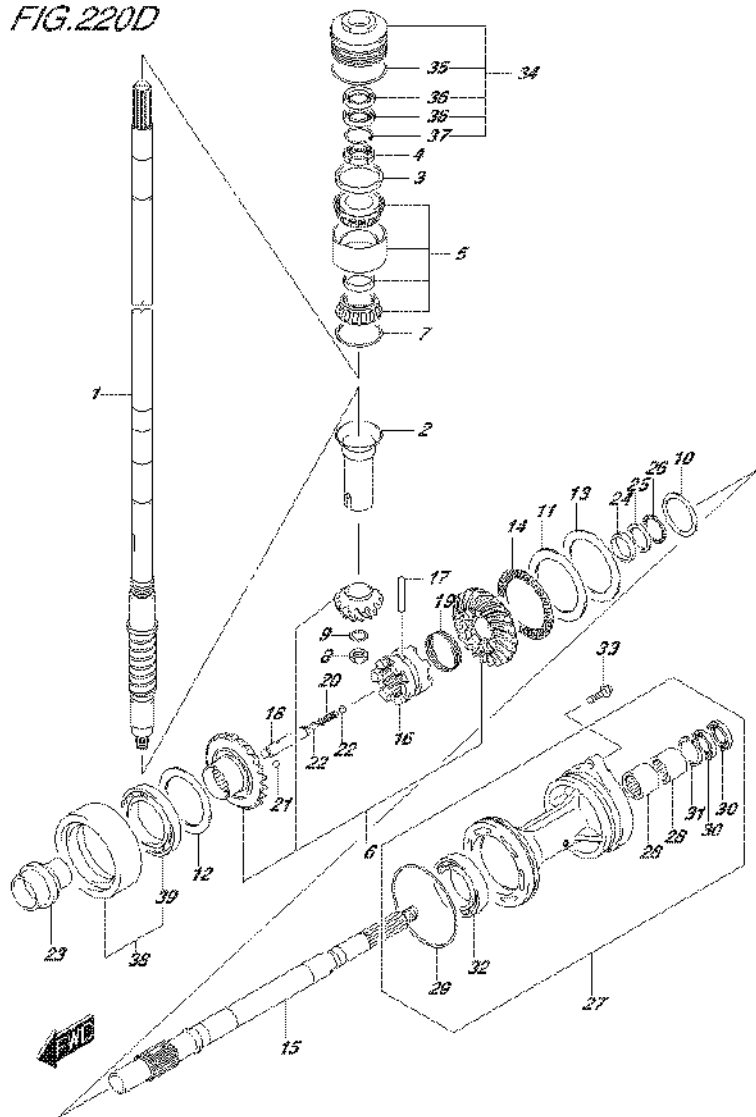


FIG.220D (2-C-13) TRANSMISSION (DF200Z E40)

REF NO.	PART NO.	DESCRIPTION	Q'TY	REMARKS
23	57622-93J00	SPACER, FWD THRUST	1	
24	09160-30055	WASHER (30X47X6)	1	
25	09160-30056	WASHER (32X47X3)	1	
26	09269-30014	BEARING (30X47X2)	1	
27-1	56120-93J13-0EP	HOUSING, PROP SFT BRG (BLACK)	1	
27-2	56120-93J13-Y5S	HOUSING, PROP SFT BRG (WHITE)	1	
28	09263-30023	.BEARING (30X40X25)	2	
29	09280-00040	.O RING (D:3.1,ID:104.4)	1	
30	09282-30006	.OIL SEAL (30X45X6)	2	
31	09381-40003	.CIRCLIP	1	
32	09263-50009	.BEARING (50X65X25)	1	
33	09116-08158	BOLT (8X35)	2	
34	56130-93J02	HOUSING, DRIVE SHAFT BRG	1	
35	09280-66004	.O RING (D:3.1,ID:65.4)	1	
36	09282-24004	.OIL SEAL (24X40X7)	2	
37	09381-40003	.CIRCLIP	1	
38	56140-93J10	HOUSING, REV GEAR BRG	1	
39	09262-60002	.BEARING (60X85X13)	1	

FIG.220E

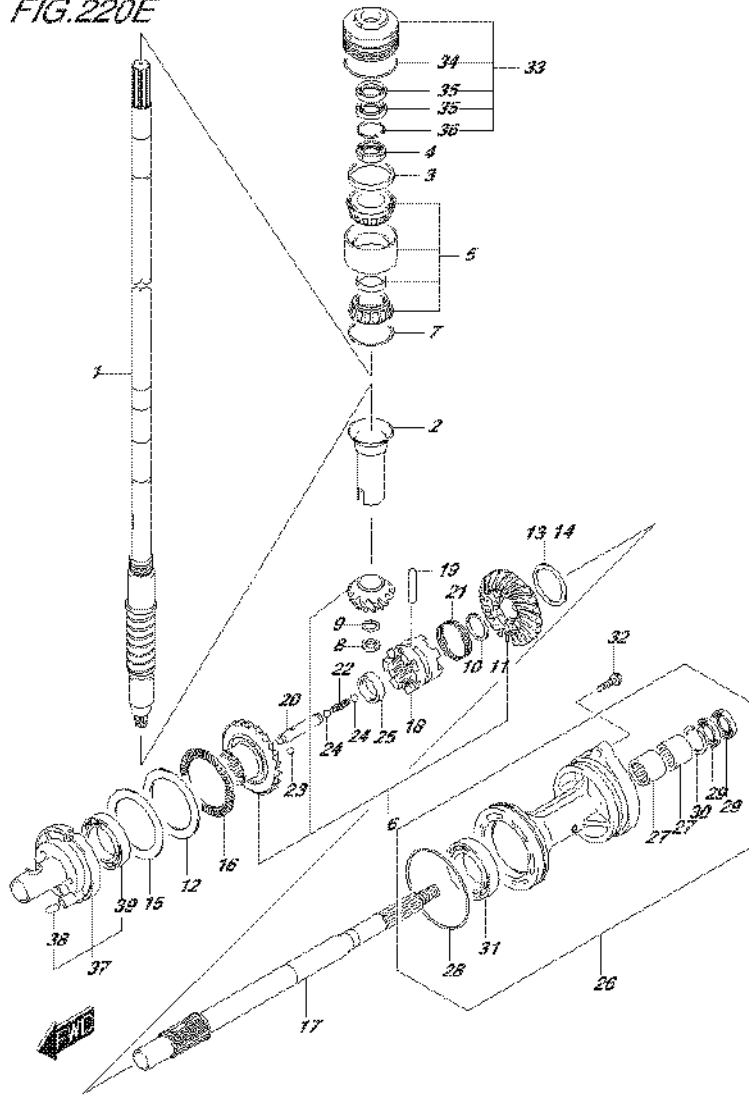


FIG.220E (2-C-14) TRANSMISSION (DF225T E01)

REF NO.	PART NO.	DESCRIPTION	Q'TY	REMARKS
1-1	57110-93J20	SHAFT, DRIVE	1	W/TRANSOM(X)
1-2	57110-93J30	SHAFT, DRIVE	1	W/TRANSOM(XX)
2	57133-93J00	COLLAR, DRIVE SHAFT	1	
3	57134-93J00	SPACER, DRIVE SHAFT BEARING	1	
4	09159-28003	NUT	1	
5	09269-32001	BEARING (32X66X49)	1	
6	57300-93860	PINION/GEAR SET	1	
7-1	09181-60004	SHIM (T:0.45)	1	
7-2	09181-60005	SHIM (T:0.50)	1	
7-3	09181-60006	SHIM (T:0.55)	1	
7-4	09181-60007	SHIM (T:0.60)	1	
7-5	09181-60008	SHIM (T:0.65)	1	
7-6	09181-60009	SHIM (T:0.70)	1	
7-7	09181-60010	SHIM (T:0.75)	1	
7-8	09181-60011	SHIM (T:0.80)	1	
7-9	09181-60012	SHIM (T:0.85)	1	
7-10	09181-60013	SHIM (T:0.90)	1	
8	09140-16021	NUT	1	
9	08221-16256	WASHER	1	
10	57500-87861	SHIM SET, PROP SHAFT REV	1	
11-1	08211-30382	.WASHER (T:1.5)	1	
11-2	09160-30036	.WASHER (T:1.7)	1	
11-3	09160-30037	.WASHER (T:1.9)	1	
11-4	09160-30038	.WASHER (T:2.1)	1	
11-5	08211-30384	.WASHER (T:2.2)	1	
11-6	09160-30039	.WASHER (T:2.3)	1	
11-7	09160-30041	.WASHER (T:2.4)	1	
11-8	08211-30385	.WASHER (T:2.5)	1	
11-9	09160-30042	.WASHER (T:2.6)	1	
11-10	09160-30043	.WASHER (T:2.7)	1	
11-11	09160-30044	.WASHER (T:2.8)	1	
12	09160-75002	WASHER (75X100X2)	1	FWD GEAR

FIG.220E

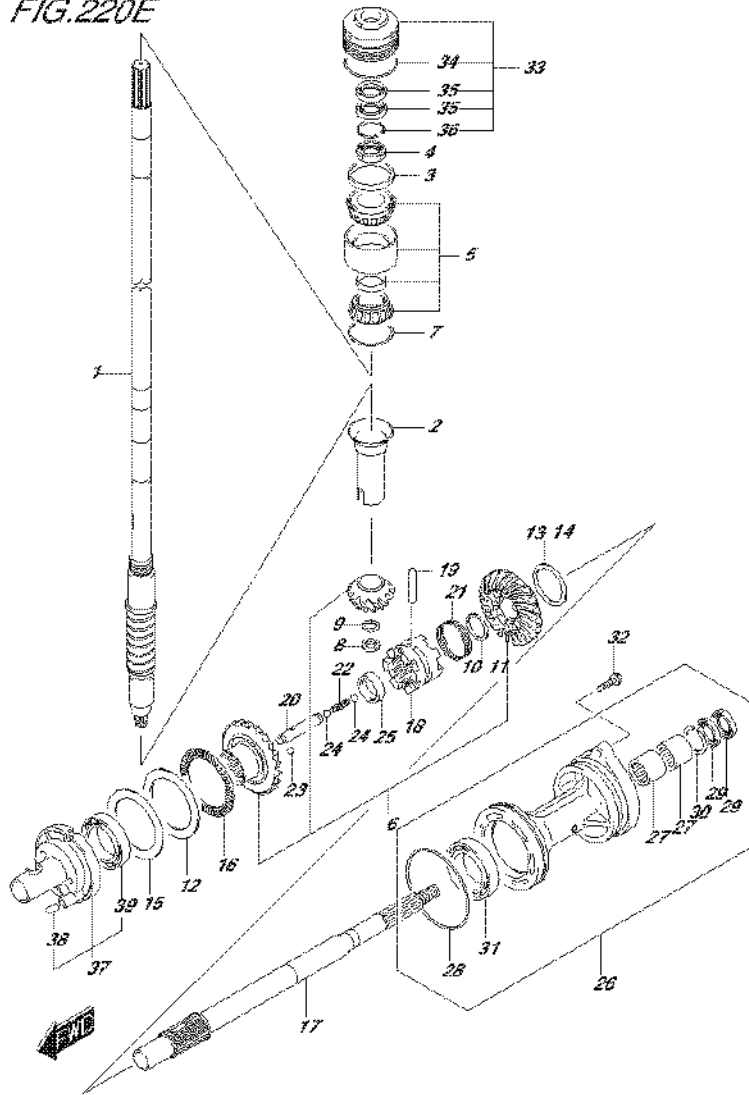


FIG.220E (2-C-15) TRANSMISSION (DF225T E01)

REF NO.	PART NO.	DESCRIPTION	Q'TY	REMARKS
13	57500-87852	SHIM SET, REV GEAR	1	
14-1	09181-50013	.SHIM (T:1.0)	1	REV GEAR
14-2	09181-50012	.SHIM (T:1.1)	1	REV GEAR
14-3	09181-50005	.SHIM (T:1.2)	1	REV GEAR
14-4	09181-50006	.SHIM (T:1.3)	1	REV GEAR
14-5	09181-50007	.SHIM (T:1.4)	1	REV GEAR
14-6	09181-50008	.SHIM (T:1.5)	1	REV GEAR
14-7	09181-50009	.SHIM (T:1.6)	1	REV GEAR
14-8	09181-50010	.SHIM (T:1.7)	1	REV GEAR
15-1	09181-75018	SHIM (T:0.50)	1	FWD GEAR
15-2	09181-75019	SHIM (T:0.55)	1	FWD GEAR
15-3	09181-75012	SHIM (T:0.60)	1	FWD GEAR
15-4	09181-75013	SHIM (T:0.65)	1	FWD GEAR
15-5	09181-75008	SHIM (T:0.70)	1	FWD GEAR
15-6	09181-75014	SHIM (T:0.75)	1	FWD GEAR
15-7	09181-75009	SHIM (T:0.80)	1	FWD GEAR
15-8	09181-75015	SHIM (T:0.85)	1	FWD GEAR
15-9	09181-75010	SHIM (T:0.90)	1	FWD GEAR
15-10	09181-75016	SHIM (T:0.95)	1	FWD GEAR
15-11	09181-75011	SHIM (T:1.00)	1	FWD GEAR
16	09269-75002	BEARING (75X100X4)	1	
17	57610-93J00	SHAFT, PROPELLER	1	
18	57621-93J10	SHIFTER, CLUTCH DOG	1	
19	09202-08007	PIN (8X49)	1	
20	57631-93J00	PIN, CONNECTOR	1	
21	09440-52003	SPRING	1	
22	09440-09040	SPRING	1	
23	06111-07004	BALL	2	
24	06111-11004	BALL	2	
25	09180-25082	SPACER (25X36.5X9.5)	1	

FIG.220E

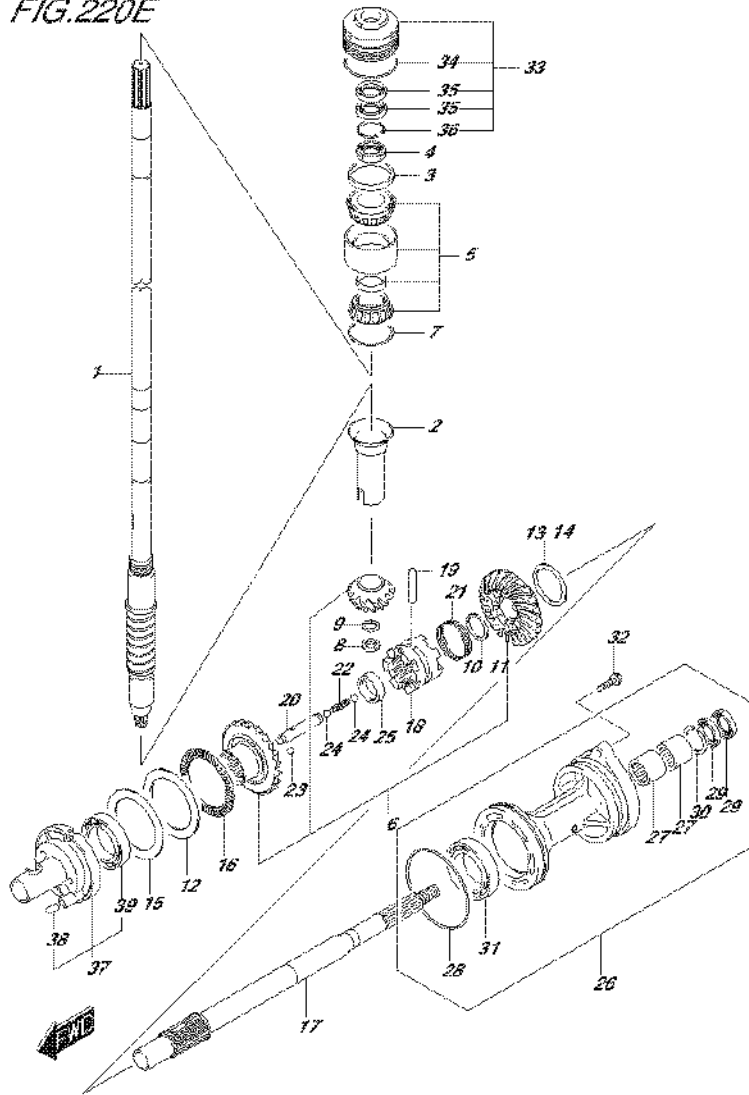
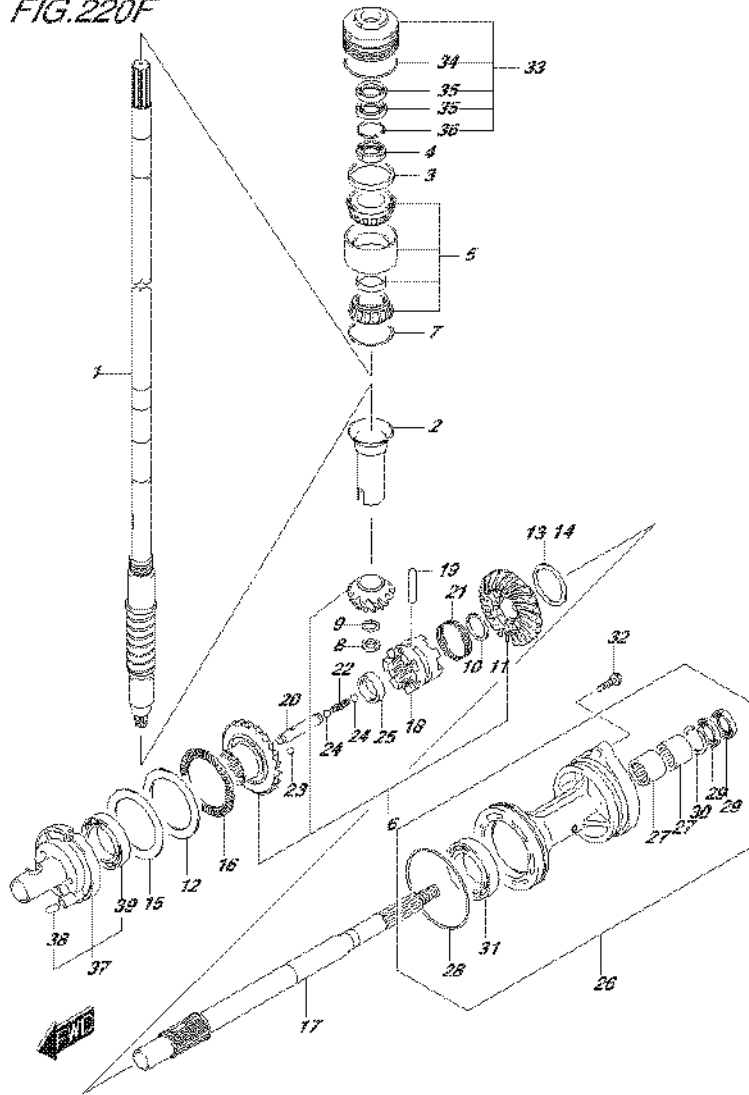


FIG.220E (2-D-2) TRANSMISSION (DF225T E01)

REF NO.	PART NO.	DESCRIPTION	Q'TY	REMARKS
26-1	56120-93J03-0EP	HOUSING, PROP SFT BRG (BLACK)	1	
26-2	56120-93J03-Y5S	HOUSING, PROP SFT BRG (WHITE)	1	
27	09263-30023	.BEARING (30X40X25)	2	
28	09280-00040	.O RING (D:3.1,ID:104.4)	1	
29	09282-30006	.OIL SEAL (30X45X6)	2	
30	09381-40003	.CIRCLIP	1	
31	08113-60100	.BEARING	1	
32	09116-08158	BOLT (8X35)	2	
33	56130-93J02	HOUSING, DRIVE SHAFT BRG	1	
34	09280-66004	.O RING (D:3.1,ID:65.4)	1	
35	09282-24004	.OIL SEAL (24X40X7)	2	
36	09381-40003	.CIRCLIP	1	
37	56140-93J01	HOUSING, FWD GEAR BRG	1	
38	04221-08129	.PIN	1	
39	09263-50009	.BEARING (50X65X25)	1	

FIG.220F



DF251_E01_016_220F
TRANSMISSION

FIG.220F (2-D-3) TRANSMISSION (DF225T E40)

REF NO.	PART NO.	DESCRIPTION	Q'TY	REMARKS
1-1	57110-93J20	SHAFT, DRIVE	1	W/TRANSOM(X)
1-2	57110-93J30	SHAFT, DRIVE	1	W/TRANSOM(XX)
2	57133-93J00	COLLAR, DRIVE SHAFT	1	
3	57134-93J00	SPACER, DRIVE SHAFT BEARING	1	
4	09159-28003	NUT	1	
5	09269-32001	BEARING (32X66X49)	1	
6	57300-93860	PINION/GEAR SET	1	
7-1	09181-60004	SHIM (T:0.45)	1	
7-2	09181-60005	SHIM (T:0.50)	1	
7-3	09181-60006	SHIM (T:0.55)	1	
7-4	09181-60007	SHIM (T:0.60)	1	
7-5	09181-60008	SHIM (T:0.65)	1	
7-6	09181-60009	SHIM (T:0.70)	1	
7-7	09181-60010	SHIM (T:0.75)	1	
7-8	09181-60011	SHIM (T:0.80)	1	
7-9	09181-60012	SHIM (T:0.85)	1	
7-10	09181-60013	SHIM (T:0.90)	1	
8	09140-16021	NUT	1	
9	08221-16256	WASHER	1	
10	57500-87861	SHIM SET, PROP SHAFT REV	1	
11-1	08211-30382	.WASHER (T:1.5)	1	
11-2	09160-30036	.WASHER (T:1.7)	1	
11-3	09160-30037	.WASHER (T:1.9)	1	
11-4	09160-30038	.WASHER (T:2.1)	1	
11-5	08211-30384	.WASHER (T:2.2)	1	
11-6	09160-30039	.WASHER (T:2.3)	1	
11-7	09160-30041	.WASHER (T:2.4)	1	
11-8	08211-30385	.WASHER (T:2.5)	1	
11-9	09160-30042	.WASHER (T:2.6)	1	
11-10	09160-30043	.WASHER (T:2.7)	1	
11-11	09160-30044	.WASHER (T:2.8)	1	
12	09160-75002	WASHER (75X100X2)	1	FWD GEAR

FIG.220F

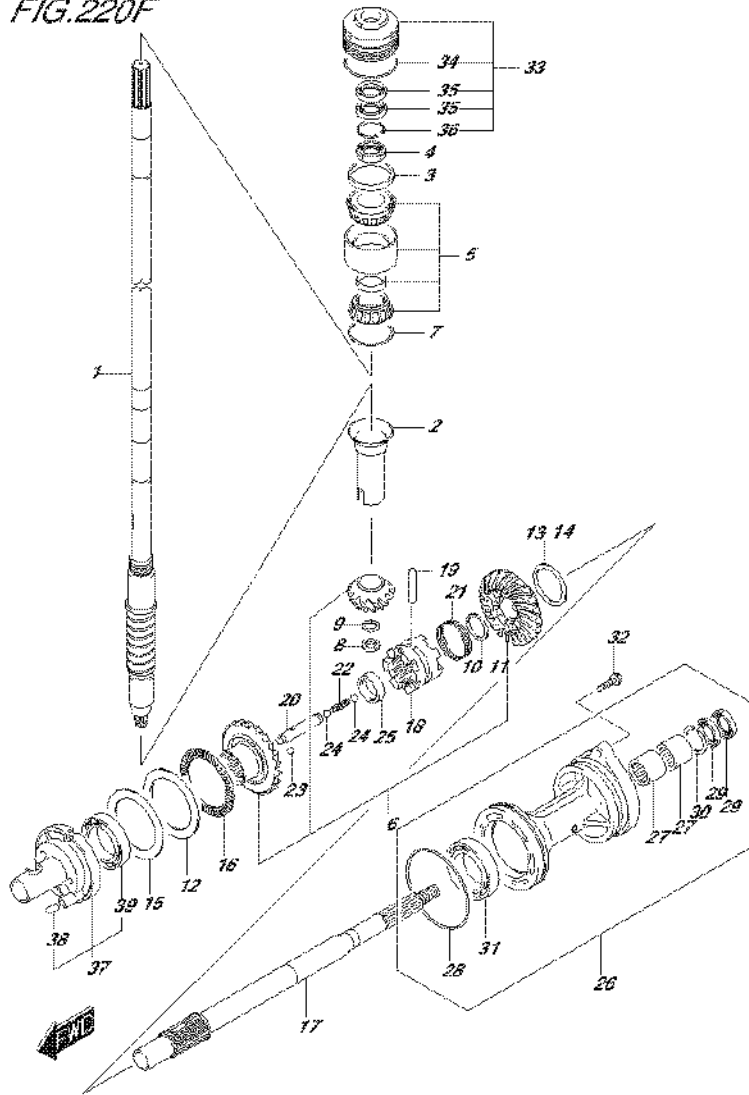


FIG.220F (2-D-4) TRANSMISSION (DF225T E40)

REF NO.	PART NO.	DESCRIPTION	Q'TY	REMARKS
13	57500-87852	SHIM SET, REV GEAR	1	
14-1	09181-50013	.SHIM (T:1.0)	1	REV GEAR
14-2	09181-50012	.SHIM (T:1.1)	1	REV GEAR
14-3	09181-50005	.SHIM (T:1.2)	1	REV GEAR
14-4	09181-50006	.SHIM (T:1.3)	1	REV GEAR
14-5	09181-50007	.SHIM (T:1.4)	1	REV GEAR
14-6	09181-50008	.SHIM (T:1.5)	1	REV GEAR
14-7	09181-50009	.SHIM (T:1.6)	1	REV GEAR
14-8	09181-50010	.SHIM (T:1.7)	1	REV GEAR
15-1	09181-75018	SHIM (T:0.50)	1	FWD GEAR
15-2	09181-75019	SHIM (T:0.55)	1	FWD GEAR
15-3	09181-75012	SHIM (T:0.60)	1	FWD GEAR
15-4	09181-75013	SHIM (T:0.65)	1	FWD GEAR
15-5	09181-75008	SHIM (T:0.70)	1	FWD GEAR
15-6	09181-75014	SHIM (T:0.75)	1	FWD GEAR
15-7	09181-75009	SHIM (T:0.80)	1	FWD GEAR
15-8	09181-75015	SHIM (T:0.85)	1	FWD GEAR
15-9	09181-75010	SHIM (T:0.90)	1	FWD GEAR
15-10	09181-75016	SHIM (T:0.95)	1	FWD GEAR
15-11	09181-75011	SHIM (T:1.00)	1	FWD GEAR
16	09269-75002	BEARING (75X100X4)	1	
17	57610-93J00	SHAFT, PROPELLER	1	
18	57621-93J10	SHIFTER, CLUTCH DOG	1	
19	09202-08007	PIN (8X49)	1	
20	57631-93J00	PIN, CONNECTOR	1	
21	09440-52003	SPRING	1	
22	09440-09040	SPRING	1	
23	06111-07004	BALL	2	
24	06111-11004	BALL	2	
25	09180-25082	SPACER (25X36.5X9.5)	1	

FIG.220F

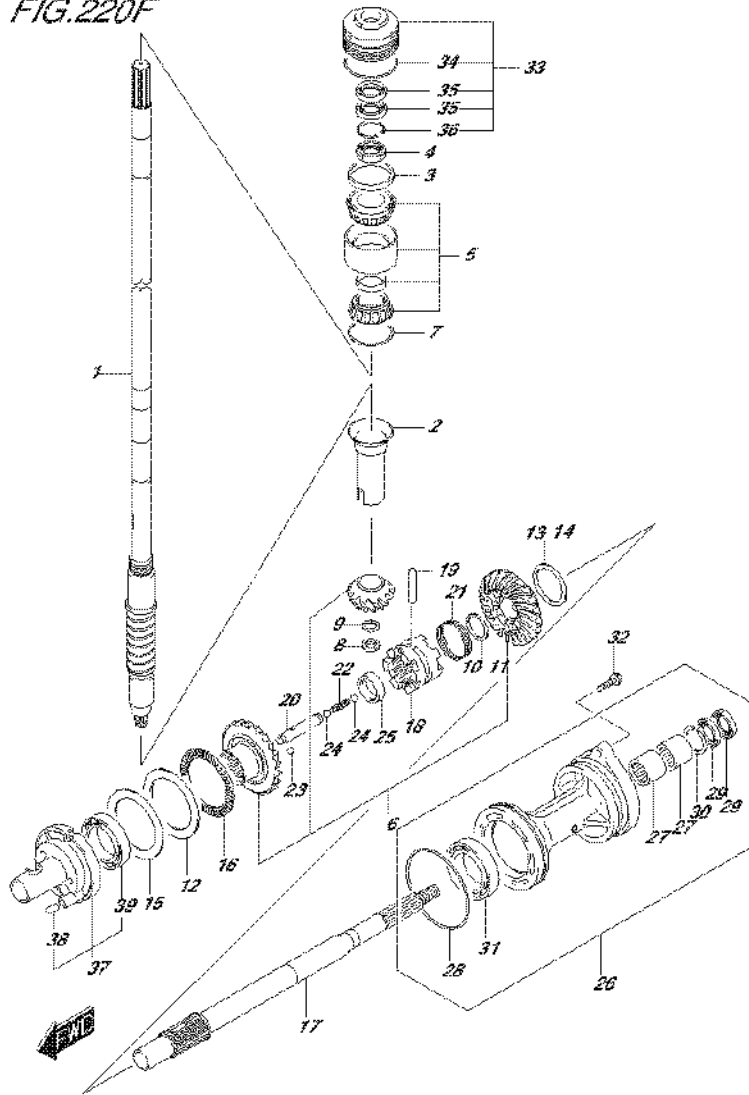


FIG.220F (2-D-5) TRANSMISSION (DF225T E40)

REF NO.	PART NO.	DESCRIPTION	Q'TY	REMARKS
26-1	56120-93J03-0EP	HOUSING, PROP SFT BRG (BLACK)	1	
26-2	56120-93J03-Y5S	HOUSING, PROP SFT BRG (WHITE)	1	
27	09263-30023	.BEARING (30X40X25)	2	
28	09280-00040	.O RING (D:3.1,ID:104.4)	1	
29	09282-30006	.OIL SEAL (30X45X6)	2	
30	09381-40003	.CIRCLIP	1	
31	08113-60100	.BEARING	1	
32	09116-08158	BOLT (8X35)	2	
33	56130-93J02	HOUSING, DRIVE SHAFT BRG	1	
34	09280-66004	.O RING (D:3.1,ID:65.4)	1	
35	09282-24004	.OIL SEAL (24X40X7)	2	
36	09381-40003	.CIRCLIP	1	
37	56140-93J01	HOUSING, FWD GEAR BRG	1	
38	04221-08129	.PIN	1	
39	09263-50009	.BEARING (50X65X25)	1	

FIG.220G

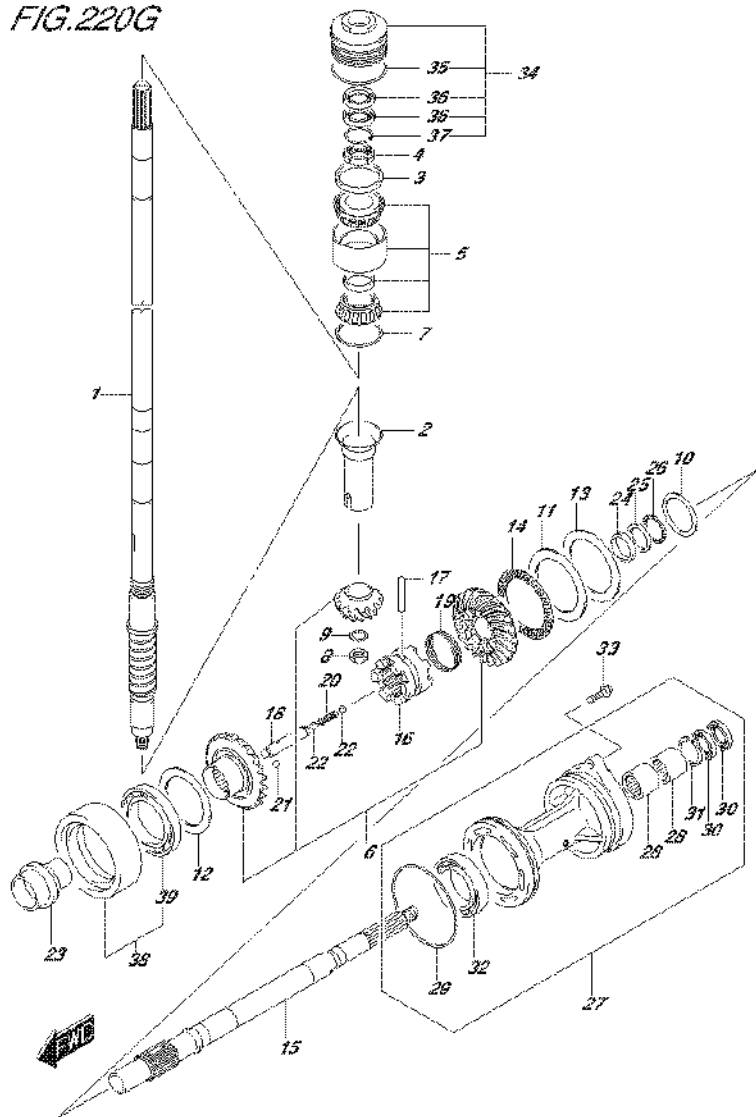


FIG.220G (2-D-6) TRANSMISSION (DF225Z E01)

REF NO.	PART NO.	DESCRIPTION	Q'TY	REMARKS
1-1	57110-93J20	SHAFT, DRIVE	1	W/TRANSOM(X)
1-2	57110-93J30	SHAFT, DRIVE	1	W/TRANSOM(XX)
2	57133-93J00	COLLAR, DRIVE SHAFT	1	
3	57134-93J00	SPACER, DRIVE SHAFT BEARING	1	
4	09159-28003	NUT	1	
5	09269-32001	BEARING (32X66X49)	1	
6	57300-93870	PINION/GEAR SET	1	
7-1	09181-60004	SHIM (T:0.45)	1	
7-2	09181-60005	SHIM (T:0.50)	1	
7-3	09181-60006	SHIM (T:0.55)	1	
7-4	09181-60007	SHIM (T:0.60)	1	
7-5	09181-60008	SHIM (T:0.65)	1	
7-6	09181-60009	SHIM (T:0.70)	1	
7-7	09181-60010	SHIM (T:0.75)	1	
7-8	09181-60011	SHIM (T:0.80)	1	
7-9	09181-60012	SHIM (T:0.85)	1	
7-10	09181-60013	SHIM (T:0.90)	1	
8	09140-16021	NUT	1	
9	08221-16256	WASHER	1	
10-1	09160-35015	WASHER (T:0.60)	1	PROP SHAFT REV
10-2	09160-35013	WASHER (T:0.80)	1	PROP SHAFT REV
10-3	09160-35010	WASHER (T:1.15)	1	PROP SHAFT REV
10-4	09160-35004	WASHER (T:1.20)	1	PROP SHAFT REV
10-5	09160-35006	WASHER (T:0.90)	1	PROP SHAFT REV
10-6	09160-35002	WASHER (T:1.00)	1	PROP SHAFT REV
10-7	09160-35008	WASHER (T:0.95)	1	PROP SHAFT REV
10-8	09160-35003	WASHER (T:1.10)	1	PROP SHAFT REV
10-9	09160-35009	WASHER (T:1.05)	1	PROP SHAFT REV

FIG.220G

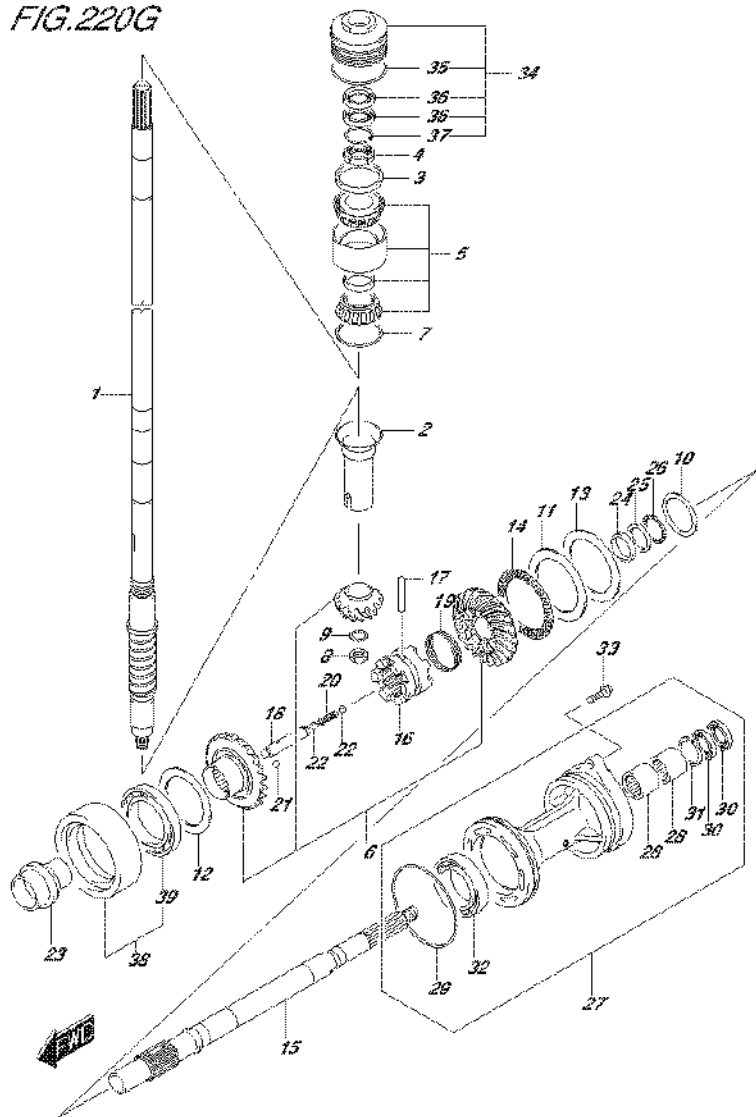


FIG.220G (2-D-7) TRANSMISSION (DF225Z E01)

REF NO.	PART NO.	DESCRIPTION	Q'TY	REMARKS
11	09160-75002	WASHER (75X100X2)	1	FWD GEAR
12-1	09181-60004	SHIM (T:0.45)	1	REV GEAR
12-2	09181-60005	SHIM (T:0.50)	1	REV GEAR
12-3	09181-60006	SHIM (T:0.55)	1	REV GEAR
12-4	09181-60007	SHIM (T:0.60)	1	REV GEAR
12-5	09181-60008	SHIM (T:0.65)	1	REV GEAR
12-6	09181-60009	SHIM (T:0.70)	1	REV GEAR
12-7	09181-60010	SHIM (T:0.75)	1	REV GEAR
12-8	09181-60011	SHIM (T:0.80)	1	REV GEAR
12-9	09181-60012	SHIM (T:0.85)	1	REV GEAR
12-10	09181-60013	SHIM (T:0.90)	1	REV GEAR
13-1	09181-75018	SHIM (T:0.50)	1	FWD GEAR
13-2	09181-75019	SHIM (T:0.55)	1	FWD GEAR
13-3	09181-75012	SHIM (T:0.60)	1	FWD GEAR
13-4	09181-75013	SHIM (T:0.65)	1	FWD GEAR
13-5	09181-75008	SHIM (T:0.70)	1	FWD GEAR
13-6	09181-75014	SHIM (T:0.75)	1	FWD GEAR
13-7	09181-75009	SHIM (T:0.80)	1	FWD GEAR
13-8	09181-75015	SHIM (T:0.85)	1	FWD GEAR
13-9	09181-75010	SHIM (T:0.90)	1	FWD GEAR
13-10	09181-75016	SHIM (T:0.95)	1	FWD GEAR
13-11	09181-75011	SHIM (T:1.00)	1	FWD GEAR
14	09269-75002	BEARING (75X100X4)	1	FWD GEAR
15	57610-93J20	SHAFT, PROPELLER	1	
16	57621-93J20	SHIFTER, CLUTCH DOG	1	
17	09202-08007	PIN (8X49)	1	
18	57631-93J00	PIN, CONNECTOR	1	
19	09440-52003	SPRING	1	
20	09440-09040	SPRING	1	
21	06111-07004	BALL	2	
22	06111-11004	BALL	2	

FIG.220G

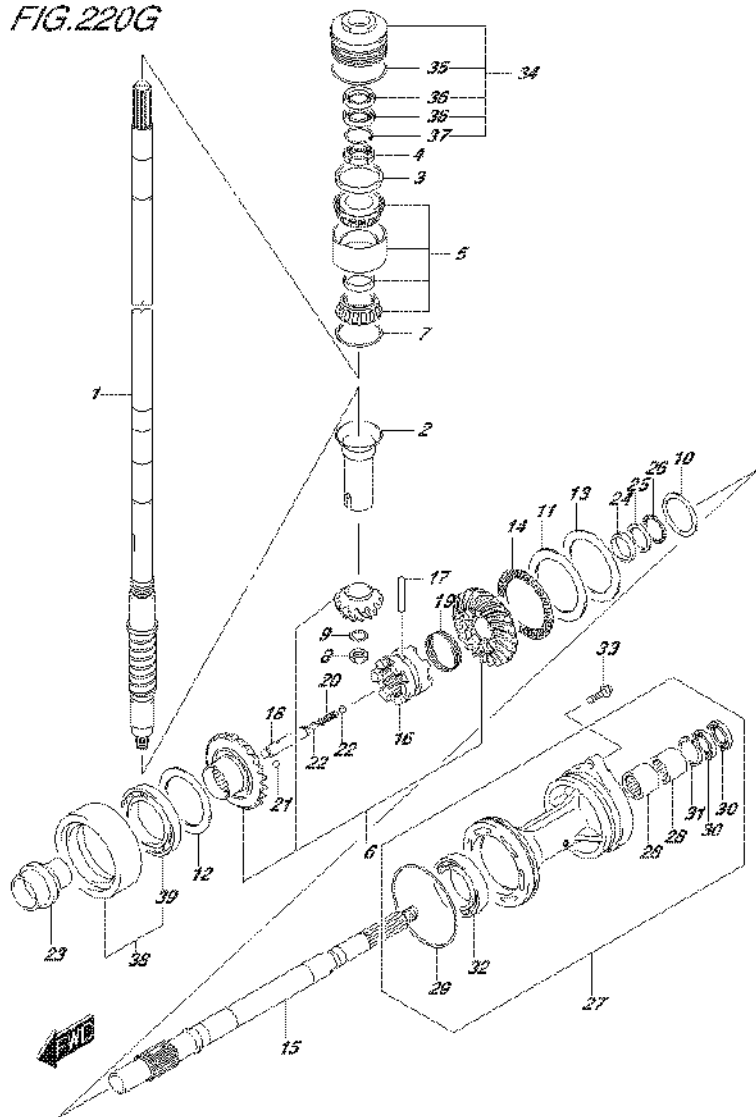


FIG.220G (2-D-8) TRANSMISSION (DF225Z E01)

REF NO.	PART NO.	DESCRIPTION	Q'TY	REMARKS
23	57622-93J00	SPACER, FWD THRUST	1	
24	09160-30055	WASHER (30X47X6)	1	
25	09160-30056	WASHER (32X47X3)	1	
26	09269-30014	BEARING (30X47X2)	1	
27-1	56120-93J13-0EP	HOUSING, PROP SFT BRG (BLACK)	1	
27-2	56120-93J13-Y5S	HOUSING, PROP SFT BRG (WHITE)	1	
28	09263-30023	.BEARING (30X40X25)	2	
29	09280-00040	.O RING (D:3.1,ID:104.4)	1	
30	09282-30006	.OIL SEAL (30X45X6)	2	
31	09381-40003	.CIRCLIP	1	
32	09263-50009	.BEARING (50X65X25)	1	
33	09116-08158	BOLT (8X35)	2	
34	56130-93J02	HOUSING, DRIVE SHAFT BRG	1	
35	09280-66004	.O RING (D:3.1,ID:65.4)	1	
36	09282-24004	.OIL SEAL (24X40X7)	2	
37	09381-40003	.CIRCLIP	1	
38	56140-93J10	HOUSING, REV GEAR BRG	1	
39	09262-60002	.BEARING (60X85X13)	1	

FIG.220H

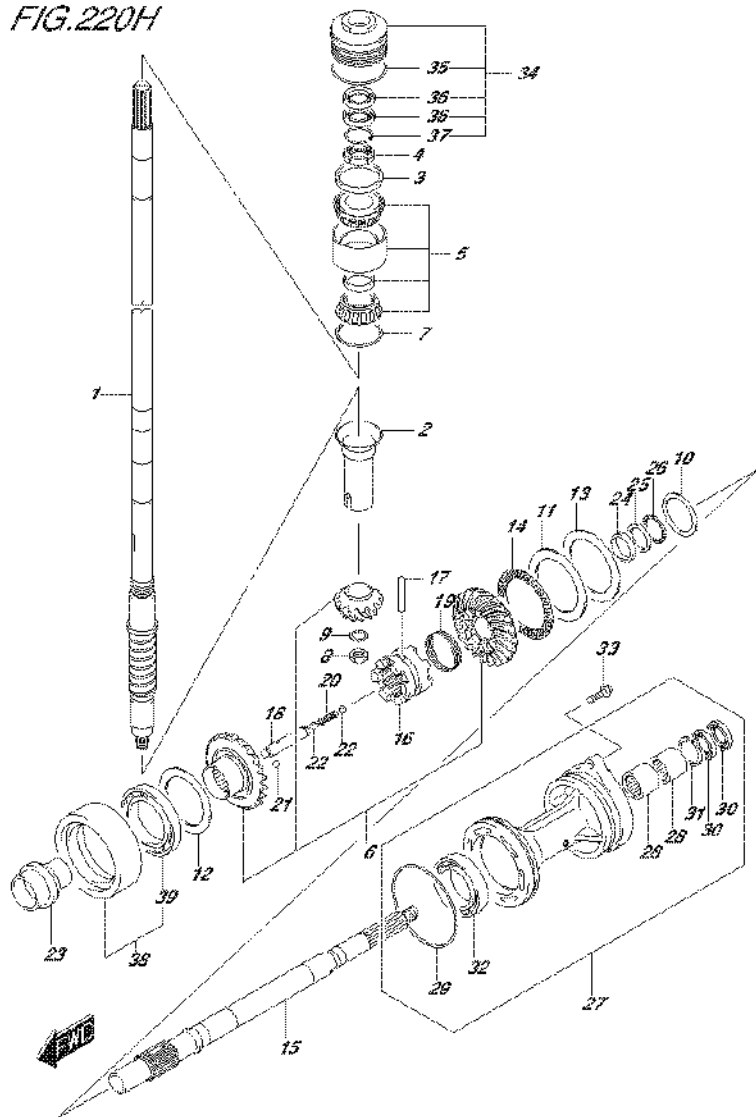


FIG.220H (2-D-9) TRANSMISSION (DF225Z E40)

REF NO.	PART NO.	DESCRIPTION	Q'TY	REMARKS
1-1	57110-93J20	SHAFT, DRIVE	1	W/TRANSOM(X)
1-2	57110-93J30	SHAFT, DRIVE	1	W/TRANSOM(XX)
2	57133-93J00	COLLAR, DRIVE SHAFT	1	
3	57134-93J00	SPACER, DRIVE SHAFT BEARING	1	
4	09159-28003	NUT	1	
5	09269-32001	BEARING (32X66X49)	1	
6	57300-93870	PINION/GEAR SET	1	
7-1	09181-60004	SHIM (T:0.45)	1	
7-2	09181-60005	SHIM (T:0.50)	1	
7-3	09181-60006	SHIM (T:0.55)	1	
7-4	09181-60007	SHIM (T:0.60)	1	
7-5	09181-60008	SHIM (T:0.65)	1	
7-6	09181-60009	SHIM (T:0.70)	1	
7-7	09181-60010	SHIM (T:0.75)	1	
7-8	09181-60011	SHIM (T:0.80)	1	
7-9	09181-60012	SHIM (T:0.85)	1	
7-10	09181-60013	SHIM (T:0.90)	1	
8	09140-16021	NUT	1	
9	08221-16256	WASHER	1	
10-1	09160-35015	WASHER (T:0.60)	1	PROP SHAFT REV
10-2	09160-35013	WASHER (T:0.80)	1	PROP SHAFT REV
10-3	09160-35010	WASHER (T:1.15)	1	PROP SHAFT REV
10-4	09160-35004	WASHER (T:1.20)	1	PROP SHAFT REV
10-5	09160-35006	WASHER (T:0.90)	1	PROP SHAFT REV
10-6	09160-35002	WASHER (T:1.00)	1	PROP SHAFT REV
10-7	09160-35008	WASHER (T:0.95)	1	PROP SHAFT REV
10-8	09160-35003	WASHER (T:1.10)	1	PROP SHAFT REV
10-9	09160-35009	WASHER (T:1.05)	1	PROP SHAFT REV

FIG.220H

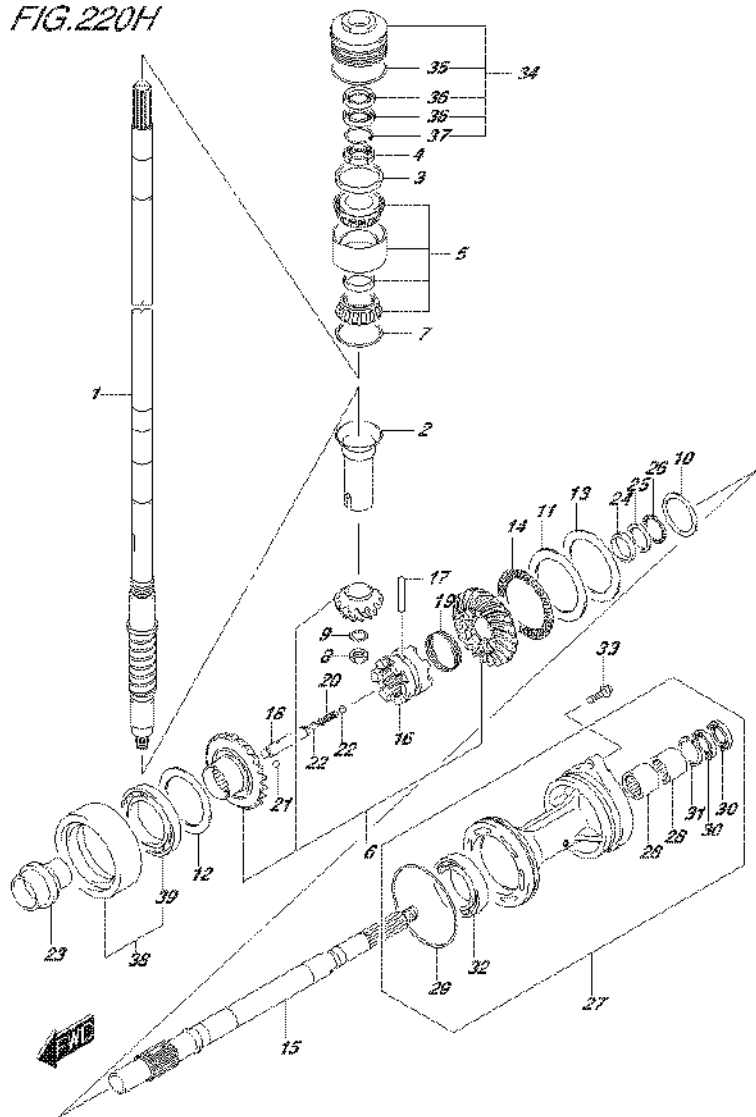


FIG.220H (2-D-10) TRANSMISSION (DF225Z E40)

REF NO.	PART NO.	DESCRIPTION	Q'TY	REMARKS
11	09160-75002	WASHER (75X100X2)	1	FWD GEAR
12-1	09181-60004	SHIM (T:0.45)	1	REV GEAR
12-2	09181-60005	SHIM (T:0.50)	1	REV GEAR
12-3	09181-60006	SHIM (T:0.55)	1	REV GEAR
12-4	09181-60007	SHIM (T:0.60)	1	REV GEAR
12-5	09181-60008	SHIM (T:0.65)	1	REV GEAR
12-6	09181-60009	SHIM (T:0.70)	1	REV GEAR
12-7	09181-60010	SHIM (T:0.75)	1	REV GEAR
12-8	09181-60011	SHIM (T:0.80)	1	REV GEAR
12-9	09181-60012	SHIM (T:0.85)	1	REV GEAR
12-10	09181-60013	SHIM (T:0.90)	1	REV GEAR
13-1	09181-75018	SHIM (T:0.50)	1	FWD GEAR
13-2	09181-75019	SHIM (T:0.55)	1	FWD GEAR
13-3	09181-75012	SHIM (T:0.60)	1	FWD GEAR
13-4	09181-75013	SHIM (T:0.65)	1	FWD GEAR
13-5	09181-75008	SHIM (T:0.70)	1	FWD GEAR
13-6	09181-75014	SHIM (T:0.75)	1	FWD GEAR
13-7	09181-75009	SHIM (T:0.80)	1	FWD GEAR
13-8	09181-75015	SHIM (T:0.85)	1	FWD GEAR
13-9	09181-75010	SHIM (T:0.90)	1	FWD GEAR
13-10	09181-75016	SHIM (T:0.95)	1	FWD GEAR
13-11	09181-75011	SHIM (T:1.00)	1	FWD GEAR
14	09269-75002	BEARING (75X100X4)	1	FWD GEAR
15	57610-93J20	SHAFT, PROPELLER	1	
16	57621-93J20	SHIFTER, CLUTCH DOG	1	
17	09202-08007	PIN (8X49)	1	
18	57631-93J00	PIN, CONNECTOR	1	
19	09440-52003	SPRING	1	
20	09440-09040	SPRING	1	
21	06111-07004	BALL	2	
22	06111-11004	BALL	2	

FIG.220H

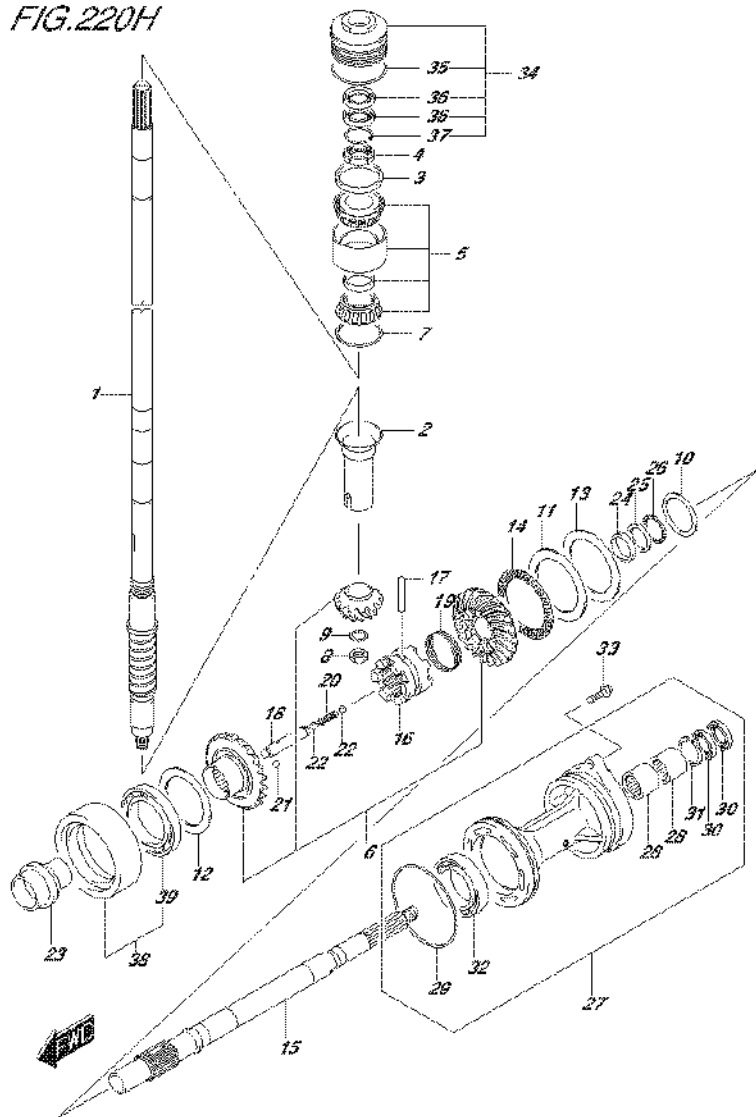
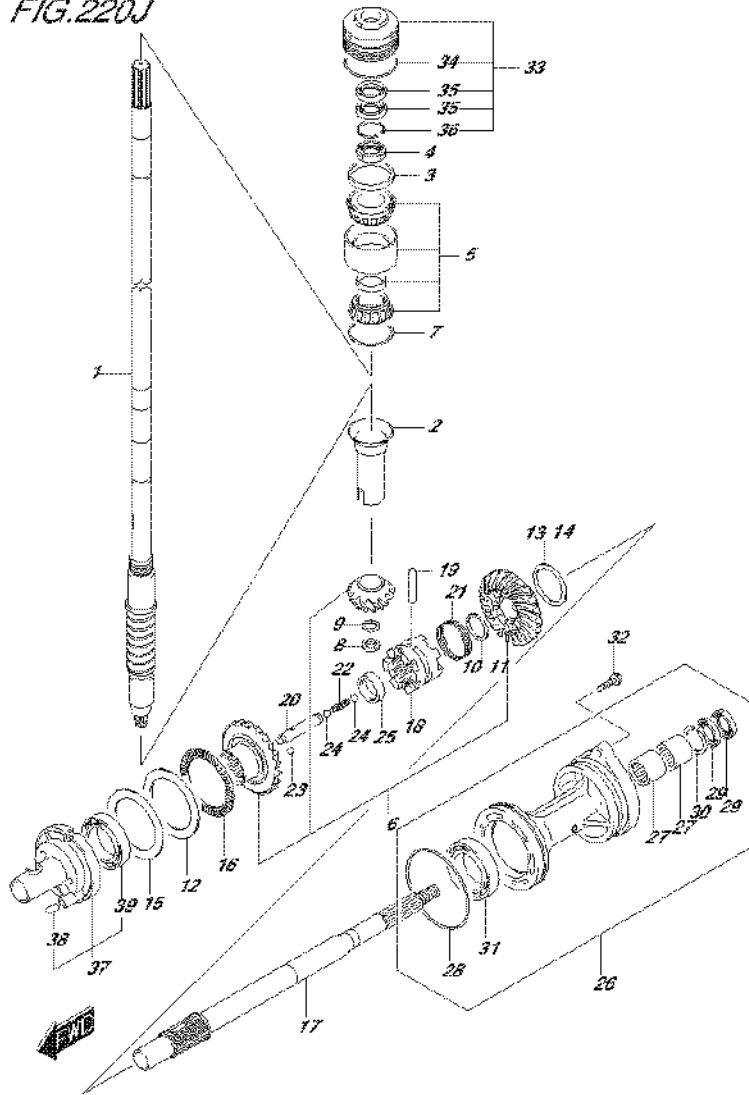


FIG.220H (2-D-11) TRANSMISSION (DF225Z E40)

REF NO.	PART NO.	DESCRIPTION	Q'TY	REMARKS
23	57622-93J00	SPACER, FWD THRUST	1	
24	09160-30055	WASHER (30X47X6)	1	
25	09160-30056	WASHER (32X47X3)	1	
26	09269-30014	BEARING (30X47X2)	1	
27-1	56120-93J13-0EP	HOUSING, PROP SFT BRG (BLACK)	1	
27-2	56120-93J13-Y5S	HOUSING, PROP SFT BRG (WHITE)	1	
28	09263-30023	.BEARING (30X40X25)	2	
29	09280-00040	.O RING (D:3.1,ID:104.4)	1	
30	09282-30006	.OIL SEAL (30X45X6)	2	
31	09381-40003	.CIRCLIP	1	
32	09263-50009	.BEARING (50X65X25)	1	
33	09116-08158	BOLT (8X35)	2	
34	56130-93J02	HOUSING, DRIVE SHAFT BRG	1	
35	09280-66004	.O RING (D:3.1,ID:65.4)	1	
36	09282-24004	.OIL SEAL (24X40X7)	2	
37	09381-40003	.CIRCLIP	1	
38	56140-93J10	HOUSING, REV GEAR BRG	1	
39	09262-60002	.BEARING (60X85X13)	1	

FIG.220J



DF250_E01_016_0001
TRANSMISSION

FIG.220J (2-D-12) TRANSMISSION (DF250T E01)

REF NO.	PART NO.	DESCRIPTION	Q'TY	REMARKS
1-1	57110-93J20	SHAFT, DRIVE	1	W/TRANSOM(X)
1-2	57110-93J30	SHAFT, DRIVE	1	W/TRANSOM(XX)
2	57133-93J00	COLLAR, DRIVE SHAFT	1	
3	57134-93J00	SPACER, DRIVE SHAFT BEARING	1	
4	09159-28003	NUT	1	
5	09269-32001	BEARING (32X66X49)	1	
6	57300-93860	PINION/GEAR SET	1	
7-1	09181-60004	SHIM (T:0.45)	1	
7-2	09181-60005	SHIM (T:0.50)	1	
7-3	09181-60006	SHIM (T:0.55)	1	
7-4	09181-60007	SHIM (T:0.60)	1	
7-5	09181-60008	SHIM (T:0.65)	1	
7-6	09181-60009	SHIM (T:0.70)	1	
7-7	09181-60010	SHIM (T:0.75)	1	
7-8	09181-60011	SHIM (T:0.80)	1	
7-9	09181-60012	SHIM (T:0.85)	1	
7-10	09181-60013	SHIM (T:0.90)	1	
8	09140-16021	NUT	1	
9	08221-16256	WASHER	1	
10	57500-87861	SHIM SET, PROP SHAFT REV	1	
11-1	08211-30382	.WASHER (T:1.5)	1	
11-2	09160-30036	.WASHER (T:1.7)	1	
11-3	09160-30037	.WASHER (T:1.9)	1	
11-4	09160-30038	.WASHER (T:2.1)	1	
11-5	08211-30384	.WASHER (T:2.2)	1	
11-6	09160-30039	.WASHER (T:2.3)	1	
11-7	09160-30041	.WASHER (T:2.4)	1	
11-8	08211-30385	.WASHER (T:2.5)	1	
11-9	09160-30042	.WASHER (T:2.6)	1	
11-10	09160-30043	.WASHER (T:2.7)	1	
11-11	09160-30044	.WASHER (T:2.8)	1	
12	09160-75002	WASHER (75X100X2)	1	FWD GEAR

DF250_E01_016

FIG.220J

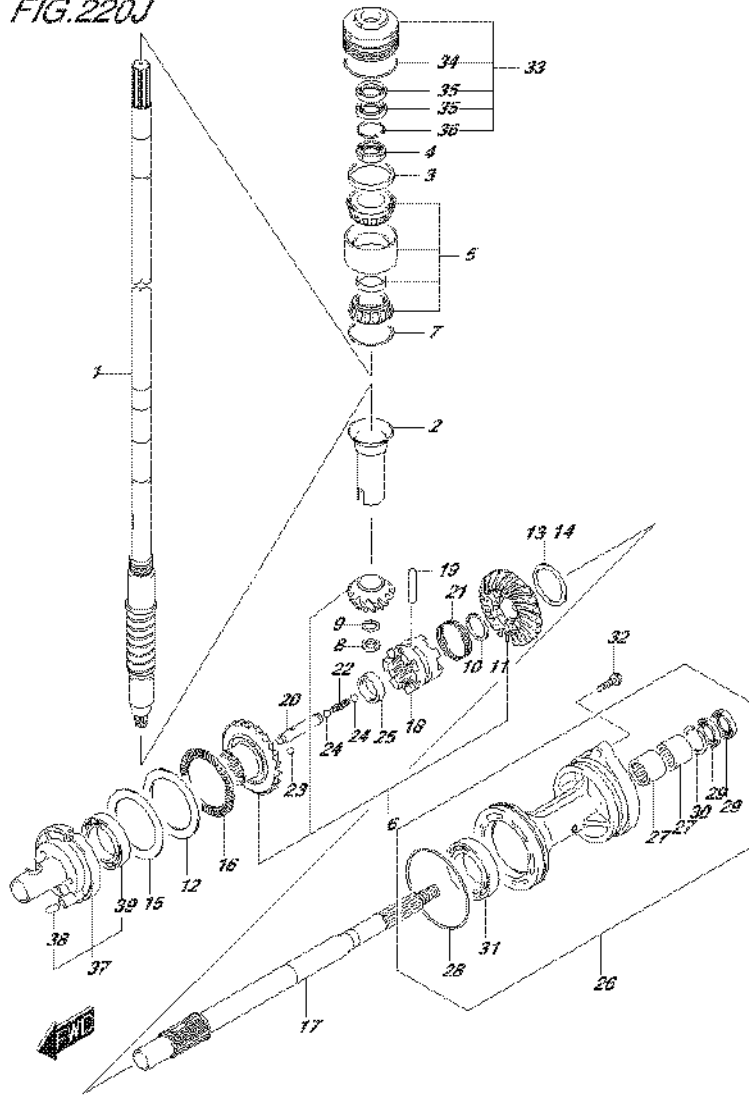


FIG.220J (2-D-13) TRANSMISSION (DF250T E01)

REF NO.	PART NO.	DESCRIPTION	Q'TY	REMARKS
13	57500-87852	SHIM SET, REV GEAR	1	
14-1	09181-50013	.SHIM (T:1.0)	1	REV GEAR
14-2	09181-50012	.SHIM (T:1.1)	1	REV GEAR
14-3	09181-50005	.SHIM (T:1.2)	1	REV GEAR
14-4	09181-50006	.SHIM (T:1.3)	1	REV GEAR
14-5	09181-50007	.SHIM (T:1.4)	1	REV GEAR
14-6	09181-50008	.SHIM (T:1.5)	1	REV GEAR
14-7	09181-50009	.SHIM (T:1.6)	1	REV GEAR
14-8	09181-50010	.SHIM (T:1.7)	1	REV GEAR
15-1	09181-75018	SHIM (T:0.50)	1	FWD GEAR
15-2	09181-75019	SHIM (T:0.55)	1	FWD GEAR
15-3	09181-75012	SHIM (T:0.60)	1	FWD GEAR
15-4	09181-75013	SHIM (T:0.65)	1	FWD GEAR
15-5	09181-75008	SHIM (T:0.70)	1	FWD GEAR
15-6	09181-75014	SHIM (T:0.75)	1	FWD GEAR
15-7	09181-75009	SHIM (T:0.80)	1	FWD GEAR
15-8	09181-75015	SHIM (T:0.85)	1	FWD GEAR
15-9	09181-75010	SHIM (T:0.90)	1	FWD GEAR
15-10	09181-75016	SHIM (T:0.95)	1	FWD GEAR
15-11	09181-75011	SHIM (T:1.00)	1	FWD GEAR
16	09269-75002	BEARING (75X100X4)	1	
17	57610-93J00	SHAFT, PROPELLER	1	
18	57621-93J10	SHIFTER, CLUTCH DOG	1	
19	09202-08007	PIN (8X49)	1	
20	57631-93J00	PIN, CONNECTOR	1	
21	09440-52003	SPRING	1	
22	09440-09040	SPRING	1	
23	06111-07004	BALL	2	
24	06111-11004	BALL	2	
25	09180-25082	SPACER (25X36.5X9.5)	1	

FIG.220J

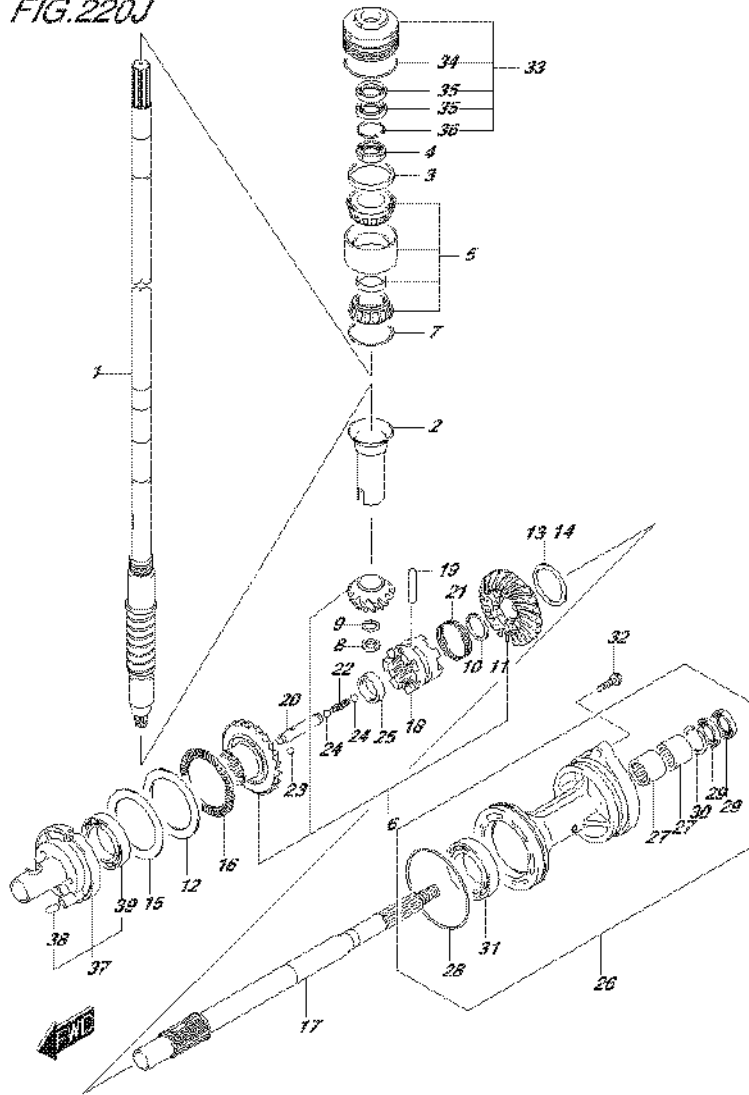


FIG.220J (2-D-14) TRANSMISSION (DF250T E01)

REF NO.	PART NO.	DESCRIPTION	Q'TY	REMARKS
26-1	56120-93J03-0EP	HOUSING, PROP SFT BRG (BLACK)	1	
26-2	56120-93J03-Y5S	HOUSING, PROP SFT BRG (WHITE)	1	
27	09263-30023	.BEARING (30X40X25)	2	
28	09280-00040	.O RING (D:3.1,ID:104.4)	1	
29	09282-30006	.OIL SEAL (30X45X6)	2	
30	09381-40003	.CIRCLIP	1	
31	08113-60100	.BEARING	1	
32	09116-08158	BOLT (8X35)	2	
33	56130-93J02	HOUSING, DRIVE SHAFT BRG	1	
34	09280-66004	.O RING (D:3.1,ID:65.4)	1	
35	09282-24004	.OIL SEAL (24X40X7)	2	
36	09381-40003	.CIRCLIP	1	
37	56140-93J01	HOUSING, FWD GEAR BRG	1	
38	04221-08129	.PIN	1	
39	09263-50009	.BEARING (50X65X25)	1	

FIG.220K

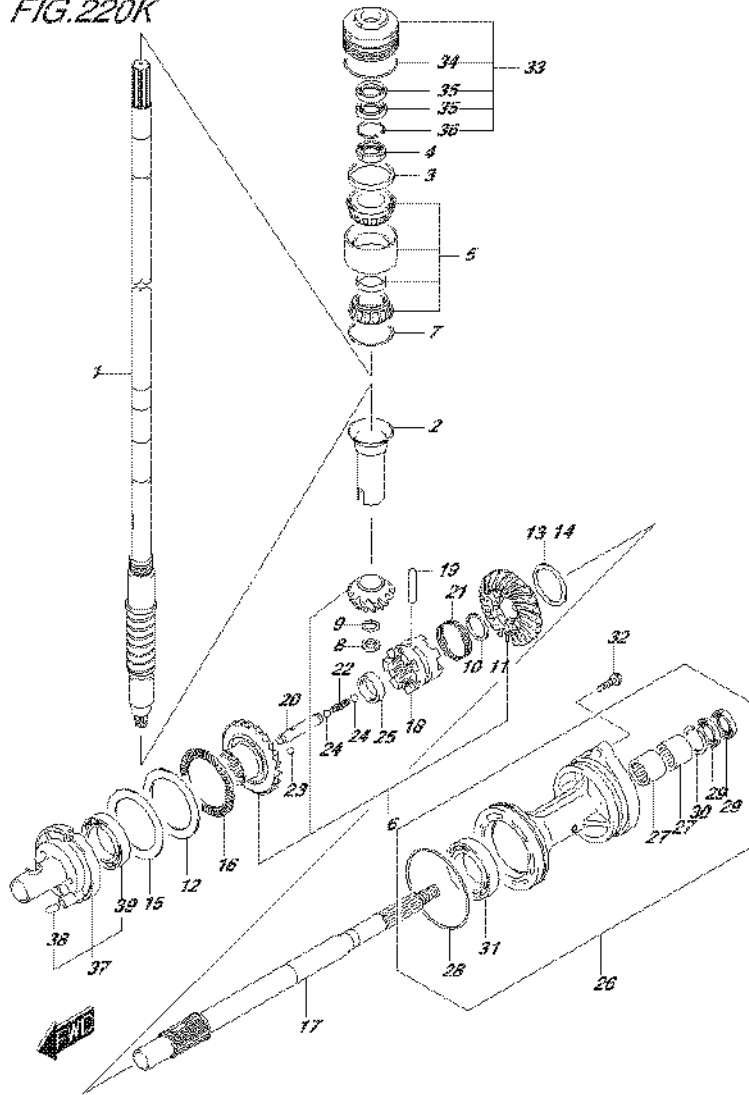


FIG.220K (2-D-15) TRANSMISSION (DF250T E40)

REF NO.	PART NO.	DESCRIPTION	Q'TY	REMARKS
1-1	57110-93J20	SHAFT, DRIVE	1	W/TRANSOM(X)
1-2	57110-93J30	SHAFT, DRIVE	1	W/TRANSOM(XX)
2	57133-93J00	COLLAR, DRIVE SHAFT	1	
3	57134-93J00	SPACER, DRIVE SHAFT BEARING	1	
4	09159-28003	NUT	1	
5	09269-32001	BEARING (32X66X49)	1	
6	57300-93860	PINION/GEAR SET	1	
7-1	09181-60004	SHIM (T:0.45)	1	
7-2	09181-60005	SHIM (T:0.50)	1	
7-3	09181-60006	SHIM (T:0.55)	1	
7-4	09181-60007	SHIM (T:0.60)	1	
7-5	09181-60008	SHIM (T:0.65)	1	
7-6	09181-60009	SHIM (T:0.70)	1	
7-7	09181-60010	SHIM (T:0.75)	1	
7-8	09181-60011	SHIM (T:0.80)	1	
7-9	09181-60012	SHIM (T:0.85)	1	
7-10	09181-60013	SHIM (T:0.90)	1	
8	09140-16021	NUT	1	
9	08221-16256	WASHER	1	
10	57500-87861	SHIM SET, PROP SHAFT REV	1	
11-1	08211-30382	.WASHER (T:1.5)	1	
11-2	09160-30036	.WASHER (T:1.7)	1	
11-3	09160-30037	.WASHER (T:1.9)	1	
11-4	09160-30038	.WASHER (T:2.1)	1	
11-5	08211-30384	.WASHER (T:2.2)	1	
11-6	09160-30039	.WASHER (T:2.3)	1	
11-7	09160-30041	.WASHER (T:2.4)	1	
11-8	08211-30385	.WASHER (T:2.5)	1	
11-9	09160-30042	.WASHER (T:2.6)	1	
11-10	09160-30043	.WASHER (T:2.7)	1	
11-11	09160-30044	.WASHER (T:2.8)	1	
12	09160-75002	WASHER (75X100X2)	1	FWD GEAR

FIG.220K

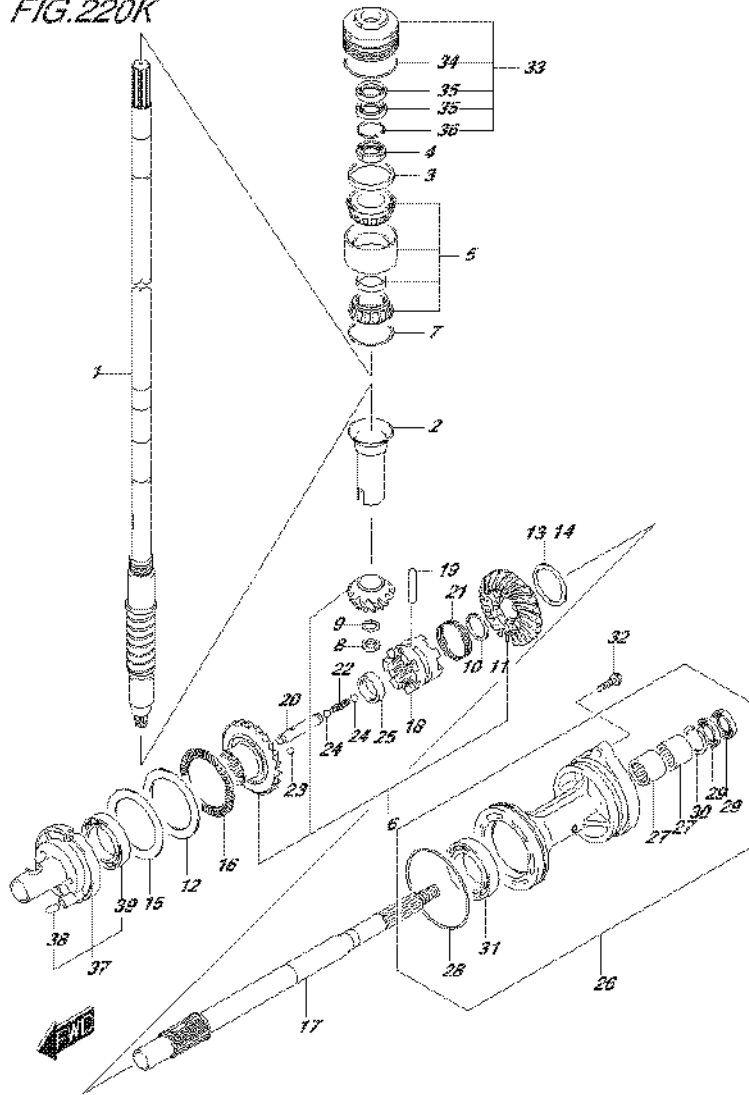


FIG.220K (2-E-2) TRANSMISSION (DF250T E40)

REF NO.	PART NO.	DESCRIPTION	Q'TY	REMARKS
13	57500-87852	SHIM SET, REV GEAR	1	
14-1	09181-50013	.SHIM (T:1.0)	1	REV GEAR
14-2	09181-50012	.SHIM (T:1.1)	1	REV GEAR
14-3	09181-50005	.SHIM (T:1.2)	1	REV GEAR
14-4	09181-50006	.SHIM (T:1.3)	1	REV GEAR
14-5	09181-50007	.SHIM (T:1.4)	1	REV GEAR
14-6	09181-50008	.SHIM (T:1.5)	1	REV GEAR
14-7	09181-50009	.SHIM (T:1.6)	1	REV GEAR
14-8	09181-50010	.SHIM (T:1.7)	1	REV GEAR
15-1	09181-75018	SHIM (T:0.50)	1	FWD GEAR
15-2	09181-75019	SHIM (T:0.55)	1	FWD GEAR
15-3	09181-75012	SHIM (T:0.60)	1	FWD GEAR
15-4	09181-75013	SHIM (T:0.65)	1	FWD GEAR
15-5	09181-75008	SHIM (T:0.70)	1	FWD GEAR
15-6	09181-75014	SHIM (T:0.75)	1	FWD GEAR
15-7	09181-75009	SHIM (T:0.80)	1	FWD GEAR
15-8	09181-75015	SHIM (T:0.85)	1	FWD GEAR
15-9	09181-75010	SHIM (T:0.90)	1	FWD GEAR
15-10	09181-75016	SHIM (T:0.95)	1	FWD GEAR
15-11	09181-75011	SHIM (T:1.00)	1	FWD GEAR
16	09269-75002	BEARING (75X100X4)	1	
17	57610-93J00	SHAFT, PROPELLER	1	
18	57621-93J10	SHIFTER, CLUTCH DOG	1	
19	09202-08007	PIN (8X49)	1	
20	57631-93J00	PIN, CONNECTOR	1	
21	09440-52003	SPRING	1	
22	09440-09040	SPRING	1	
23	06111-07004	BALL	2	
24	06111-11004	BALL	2	
25	09180-25082	SPACER (25X36.5X9.5)	1	

FIG.220K

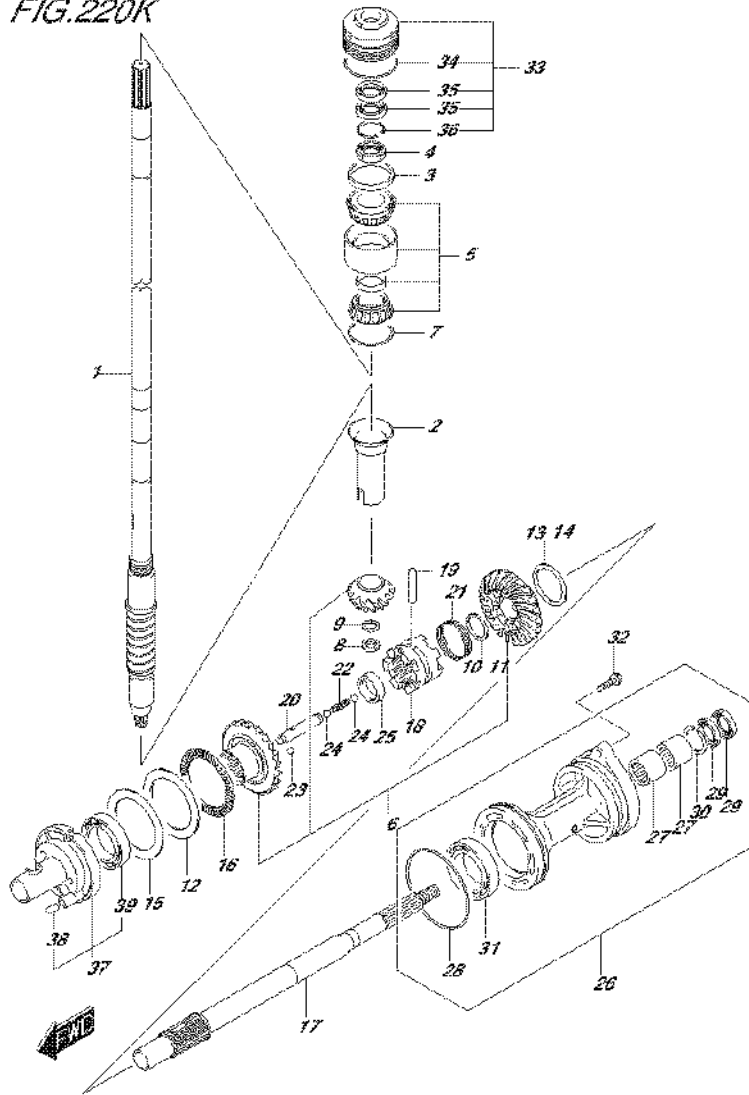
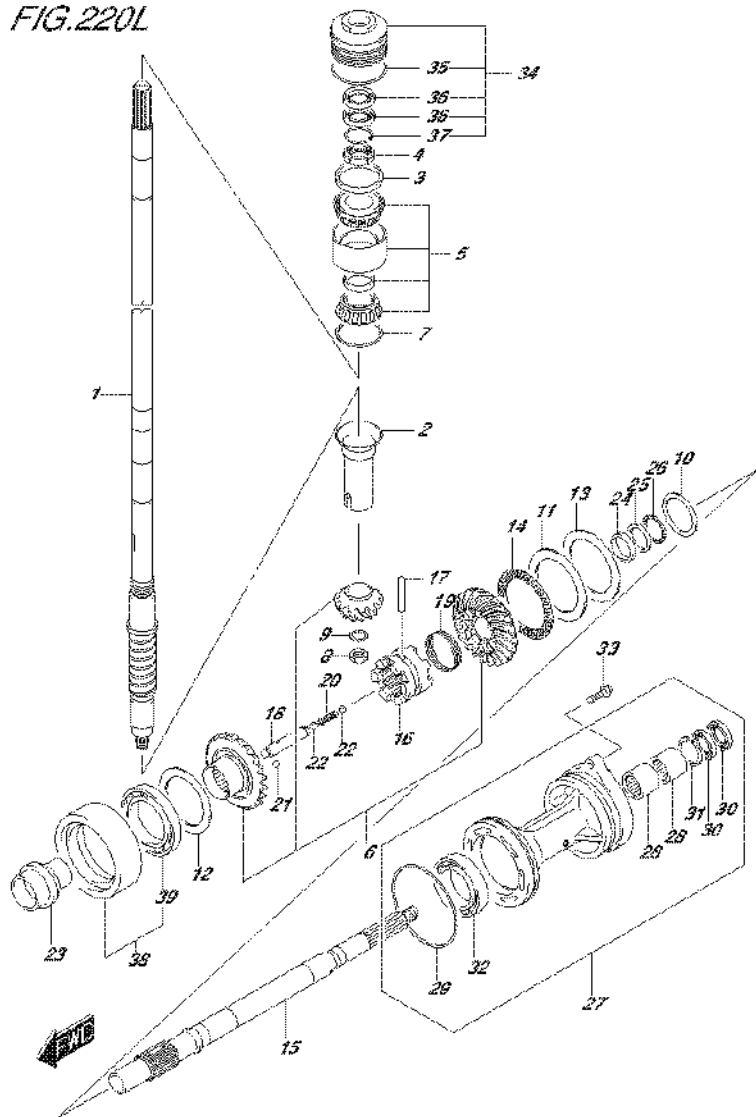


FIG.220K (2-E-3) TRANSMISSION (DF250T E40)

REF NO.	PART NO.	DESCRIPTION	Q'TY	REMARKS
26-1	56120-93J03-0EP	HOUSING, PROP SFT BRG (BLACK)	1	
26-2	56120-93J03-Y5S	HOUSING, PROP SFT BRG (WHITE)	1	
27	09263-30023	.BEARING (30X40X25)	2	
28	09280-00040	.O RING (D:3.1,ID:104.4)	1	
29	09282-30006	.OIL SEAL (30X45X6)	2	
30	09381-40003	.CIRCLIP	1	
31	08113-60100	.BEARING	1	
32	09116-08158	BOLT (8X35)	2	
33	56130-93J02	HOUSING, DRIVE SHAFT BRG	1	
34	09280-66004	.O RING (D:3.1,ID:65.4)	1	
35	09282-24004	.OIL SEAL (24X40X7)	2	
36	09381-40003	.CIRCLIP	1	
37	56140-93J01	HOUSING, FWD GEAR BRG	1	
38	04221-08129	.PIN	1	
39	09263-50009	.BEARING (50X65X25)	1	

FIG.220L



DF250Z_E01_016_230L
TRANSMISSION

FIG.220L (2-E-4) TRANSMISSION (DF250Z E01)

REF NO.	PART NO.	DESCRIPTION	Q'TY	REMARKS
1-1	57110-93J20	SHAFT, DRIVE	1	W/TRANSOM(X)
1-2	57110-93J30	SHAFT, DRIVE	1	W/TRANSOM(XX)
2	57133-93J00	COLLAR, DRIVE SHAFT	1	
3	57134-93J00	SPACER, DRIVE SHAFT BEARING	1	
4	09159-28003	NUT	1	
5	09269-32001	BEARING (32X66X49)	1	
6	57300-93870	PINION/GEAR SET	1	
7-1	09181-60004	SHIM (T:0.45)	1	
7-2	09181-60005	SHIM (T:0.50)	1	
7-3	09181-60006	SHIM (T:0.55)	1	
7-4	09181-60007	SHIM (T:0.60)	1	
7-5	09181-60008	SHIM (T:0.65)	1	
7-6	09181-60009	SHIM (T:0.70)	1	
7-7	09181-60010	SHIM (T:0.75)	1	
7-8	09181-60011	SHIM (T:0.80)	1	
7-9	09181-60012	SHIM (T:0.85)	1	
7-10	09181-60013	SHIM (T:0.90)	1	
8	09140-16021	NUT	1	
9	08221-16256	WASHER	1	
10-1	09160-35015	WASHER (T:0.60)	1	PROP SHAFT REV
10-2	09160-35013	WASHER (T:0.80)	1	PROP SHAFT REV
10-3	09160-35010	WASHER (T:1.15)	1	PROP SHAFT REV
10-4	09160-35004	WASHER (T:1.20)	1	PROP SHAFT REV
10-5	09160-35006	WASHER (T:0.90)	1	PROP SHAFT REV
10-6	09160-35002	WASHER (T:1.00)	1	PROP SHAFT REV
10-7	09160-35008	WASHER (T:0.95)	1	PROP SHAFT REV
10-8	09160-35003	WASHER (T:1.10)	1	PROP SHAFT REV
10-9	09160-35009	WASHER (T:1.05)	1	PROP SHAFT REV

DF250_E01_016

FIG.220L

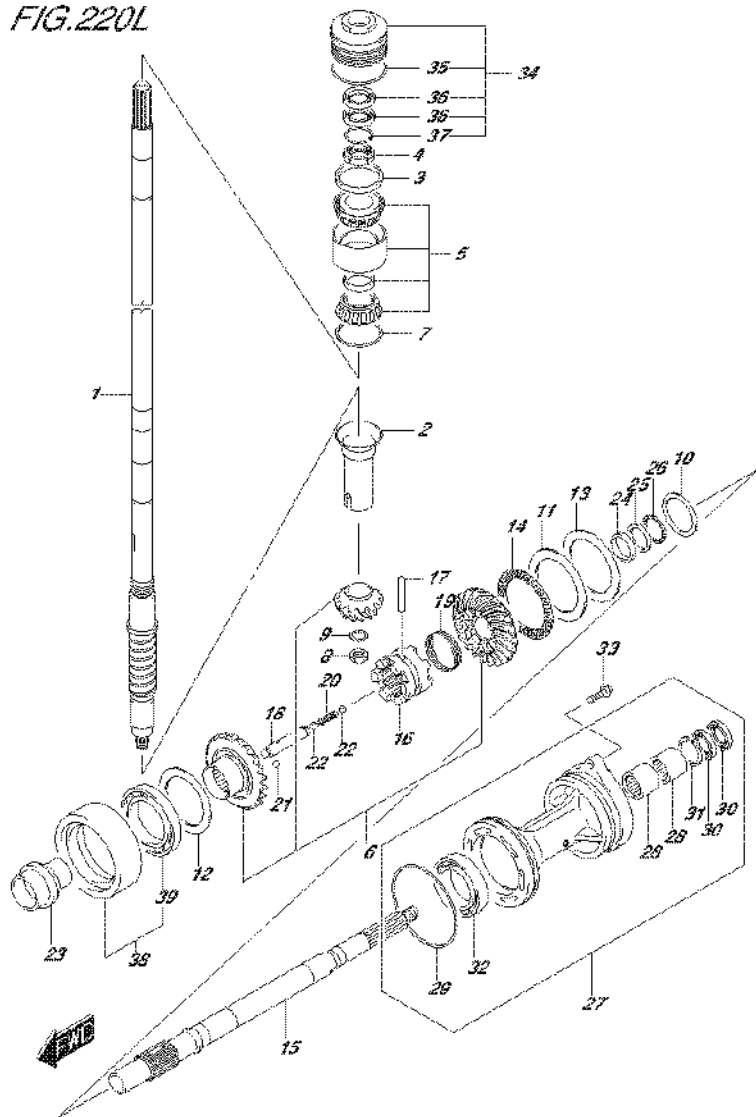


FIG.220L (2-E-5) TRANSMISSION (DF250Z E01)

REF NO.	PART NO.	DESCRIPTION	Q'TY	REMARKS
11	09160-75002	WASHER (75X100X2)	1	FWD GEAR
12-1	09181-60004	SHIM (T:0.45)	1	REV GEAR
12-2	09181-60005	SHIM (T:0.50)	1	REV GEAR
12-3	09181-60006	SHIM (T:0.55)	1	REV GEAR
12-4	09181-60007	SHIM (T:0.60)	1	REV GEAR
12-5	09181-60008	SHIM (T:0.65)	1	REV GEAR
12-6	09181-60009	SHIM (T:0.70)	1	REV GEAR
12-7	09181-60010	SHIM (T:0.75)	1	REV GEAR
12-8	09181-60011	SHIM (T:0.80)	1	REV GEAR
12-9	09181-60012	SHIM (T:0.85)	1	REV GEAR
12-10	09181-60013	SHIM (T:0.90)	1	REV GEAR
13-1	09181-75018	SHIM (T:0.50)	1	FWD GEAR
13-2	09181-75019	SHIM (T:0.55)	1	FWD GEAR
13-3	09181-75012	SHIM (T:0.60)	1	FWD GEAR
13-4	09181-75013	SHIM (T:0.65)	1	FWD GEAR
13-5	09181-75008	SHIM (T:0.70)	1	FWD GEAR
13-6	09181-75014	SHIM (T:0.75)	1	FWD GEAR
13-7	09181-75009	SHIM (T:0.80)	1	FWD GEAR
13-8	09181-75015	SHIM (T:0.85)	1	FWD GEAR
13-9	09181-75010	SHIM (T:0.90)	1	FWD GEAR
13-10	09181-75016	SHIM (T:0.95)	1	FWD GEAR
13-11	09181-75011	SHIM (T:1.00)	1	FWD GEAR
14	09269-75002	BEARING (75X100X4)	1	FWD GEAR
15	57610-93J20	SHAFT, PROPELLER	1	
16	57621-93J20	SHIFTER, CLUTCH DOG	1	
17	09202-08007	PIN (8X49)	1	
18	57631-93J00	PIN, CONNECTOR	1	
19	09440-52003	SPRING	1	
20	09440-09040	SPRING	1	
21	06111-07004	BALL	2	
22	06111-11004	BALL	2	

FIG.220L

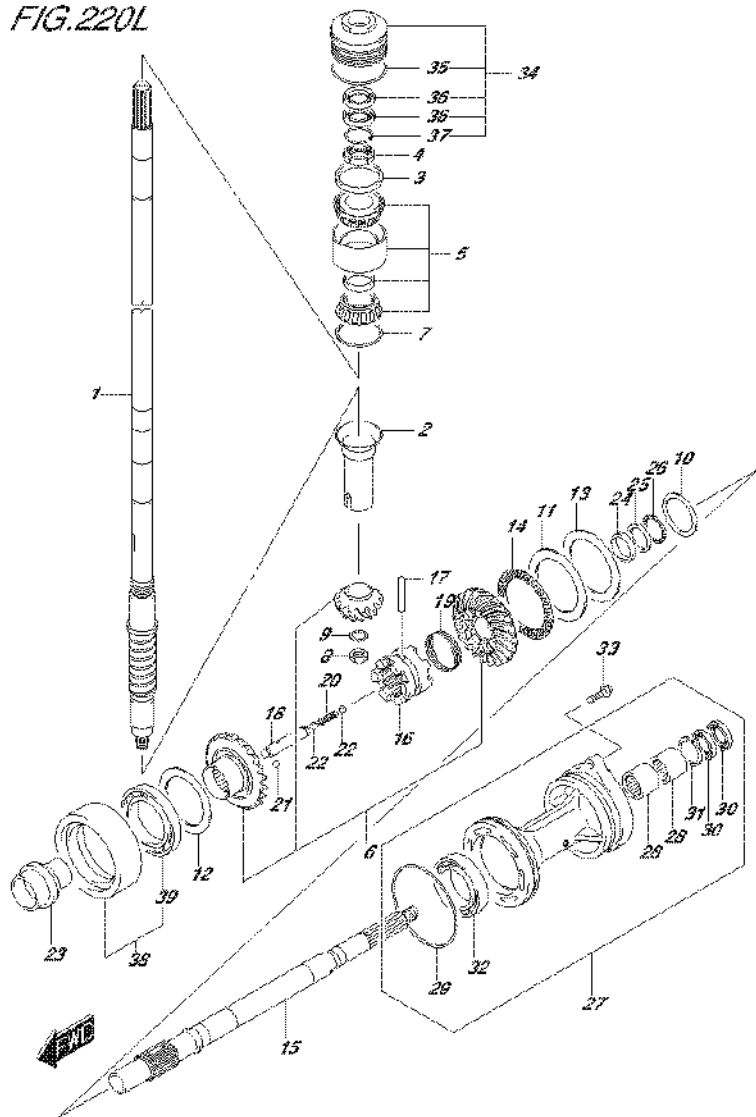


FIG.220L (2-E-6) TRANSMISSION (DF250Z E01)

REF NO.	PART NO.	DESCRIPTION	Q'TY	REMARKS
23	57622-93J00	SPACER, FWD THRUST	1	
24	09160-30055	WASHER (30X47X6)	1	
25	09160-30056	WASHER (32X47X3)	1	
26	09269-30014	BEARING (30X47X2)	1	
27-1	56120-93J13-0EP	HOUSING, PROP SFT BRG (BLACK)	1	
27-2	56120-93J13-Y5S	HOUSING, PROP SFT BRG (WHITE)	1	
28	09263-30023	.BEARING (30X40X25)	2	
29	09280-00040	.O RING (D:3.1,ID:104.4)	1	
30	09282-30006	.OIL SEAL (30X45X6)	2	
31	09381-40003	.CIRCLIP	1	
32	09263-50009	.BEARING (50X65X25)	1	
33	09116-08158	BOLT (8X35)	2	
34	56130-93J02	HOUSING, DRIVE SHAFT BRG	1	
35	09280-66004	.O RING (D:3.1,ID:65.4)	1	
36	09282-24004	.OIL SEAL (24X40X7)	2	
37	09381-40003	.CIRCLIP	1	
38	56140-93J10	HOUSING, REV GEAR BRG	1	
39	09262-60002	.BEARING (60X85X13)	1	

FIG.220M

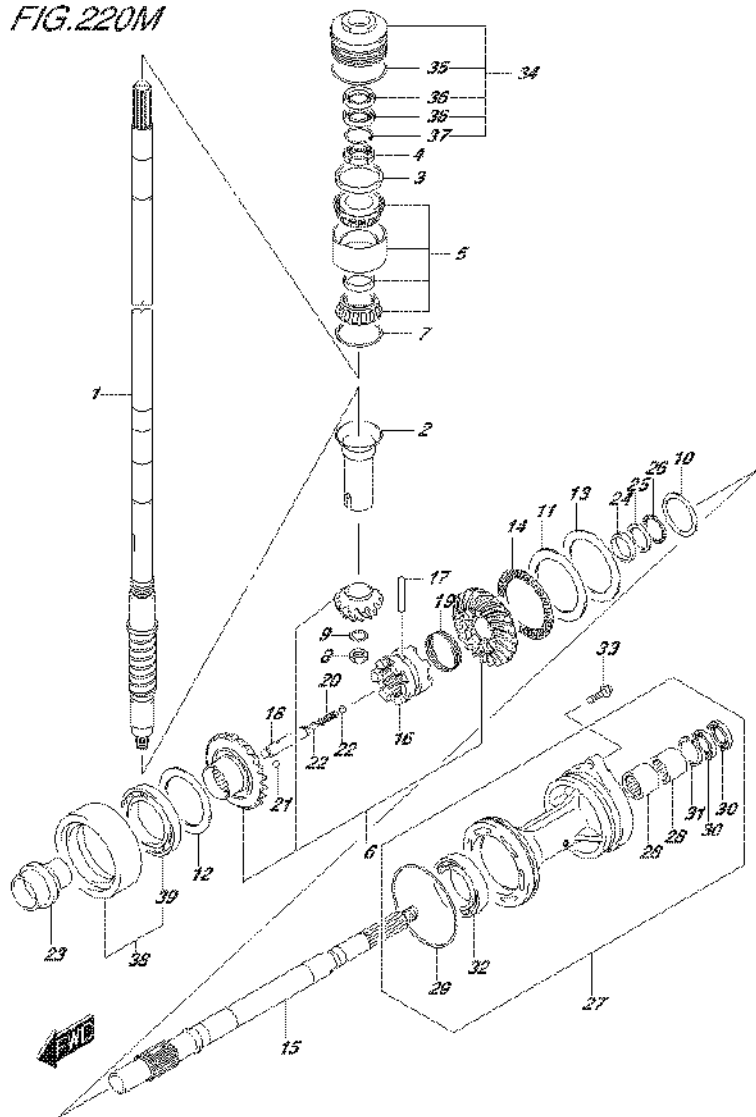


FIG.220M (2-E-7) TRANSMISSION (DF250Z E40)

REF NO.	PART NO.	DESCRIPTION	Q'TY	REMARKS
1-1	57110-93J20	SHAFT, DRIVE	1	W/TRANSOM(X)
1-2	57110-93J30	SHAFT, DRIVE	1	W/TRANSOM(XX)
2	57133-93J00	COLLAR, DRIVE SHAFT	1	
3	57134-93J00	SPACER, DRIVE SHAFT BEARING	1	
4	09159-28003	NUT	1	
5	09269-32001	BEARING (32X66X49)	1	
6	57300-93870	PINION/GEAR SET	1	
7-1	09181-60004	SHIM (T:0.45)	1	
7-2	09181-60005	SHIM (T:0.50)	1	
7-3	09181-60006	SHIM (T:0.55)	1	
7-4	09181-60007	SHIM (T:0.60)	1	
7-5	09181-60008	SHIM (T:0.65)	1	
7-6	09181-60009	SHIM (T:0.70)	1	
7-7	09181-60010	SHIM (T:0.75)	1	
7-8	09181-60011	SHIM (T:0.80)	1	
7-9	09181-60012	SHIM (T:0.85)	1	
7-10	09181-60013	SHIM (T:0.90)	1	
8	09140-16021	NUT	1	
9	08221-16256	WASHER	1	
10-1	09160-35015	WASHER (T:0.60)	1	PROP SHAFT REV
10-2	09160-35013	WASHER (T:0.80)	1	PROP SHAFT REV
10-3	09160-35010	WASHER (T:1.15)	1	PROP SHAFT REV
10-4	09160-35004	WASHER (T:1.20)	1	PROP SHAFT REV
10-5	09160-35006	WASHER (T:0.90)	1	PROP SHAFT REV
10-6	09160-35002	WASHER (T:1.00)	1	PROP SHAFT REV
10-7	09160-35008	WASHER (T:0.95)	1	PROP SHAFT REV
10-8	09160-35003	WASHER (T:1.10)	1	PROP SHAFT REV
10-9	09160-35009	WASHER (T:1.05)	1	PROP SHAFT REV

FIG.220M

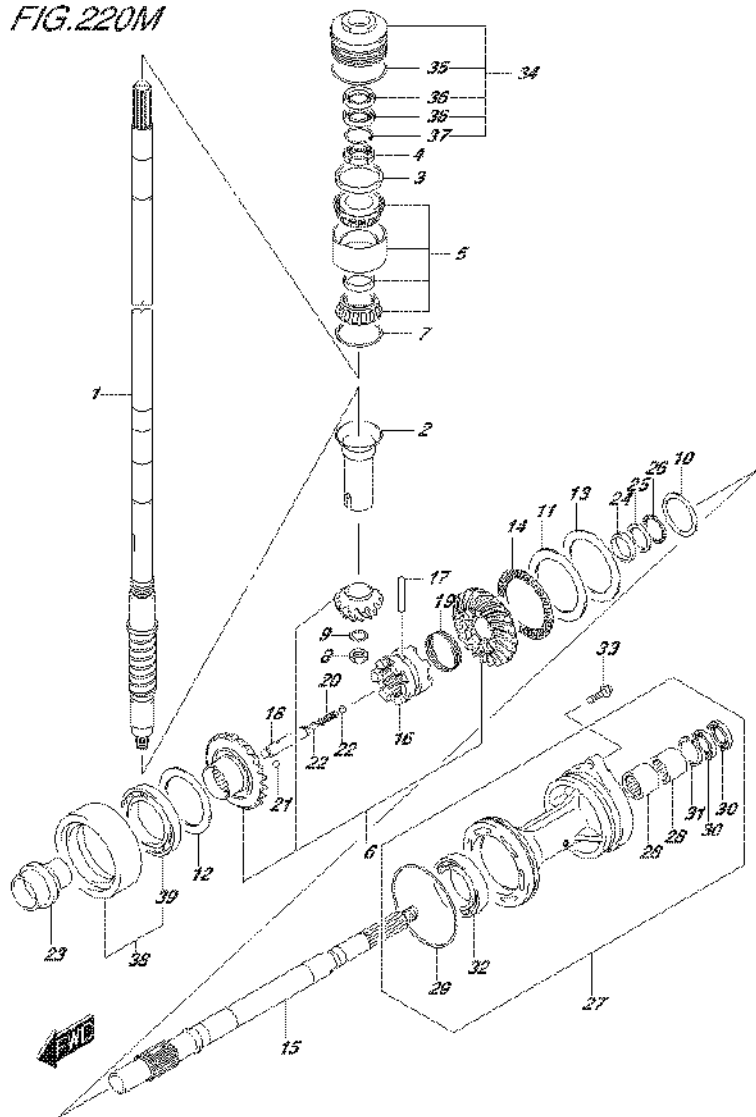


FIG.220M (2-E-8) TRANSMISSION (DF250Z E40)

REF NO.	PART NO.	DESCRIPTION	Q'TY	REMARKS
11	09160-75002	WASHER (75X100X2)	1	FWD GEAR
12-1	09181-60004	SHIM (T:0.45)	1	REV GEAR
12-2	09181-60005	SHIM (T:0.50)	1	REV GEAR
12-3	09181-60006	SHIM (T:0.55)	1	REV GEAR
12-4	09181-60007	SHIM (T:0.60)	1	REV GEAR
12-5	09181-60008	SHIM (T:0.65)	1	REV GEAR
12-6	09181-60009	SHIM (T:0.70)	1	REV GEAR
12-7	09181-60010	SHIM (T:0.75)	1	REV GEAR
12-8	09181-60011	SHIM (T:0.80)	1	REV GEAR
12-9	09181-60012	SHIM (T:0.85)	1	REV GEAR
12-10	09181-60013	SHIM (T:0.90)	1	REV GEAR
13-1	09181-75018	SHIM (T:0.50)	1	FWD GEAR
13-2	09181-75019	SHIM (T:0.55)	1	FWD GEAR
13-3	09181-75012	SHIM (T:0.60)	1	FWD GEAR
13-4	09181-75013	SHIM (T:0.65)	1	FWD GEAR
13-5	09181-75008	SHIM (T:0.70)	1	FWD GEAR
13-6	09181-75014	SHIM (T:0.75)	1	FWD GEAR
13-7	09181-75009	SHIM (T:0.80)	1	FWD GEAR
13-8	09181-75015	SHIM (T:0.85)	1	FWD GEAR
13-9	09181-75010	SHIM (T:0.90)	1	FWD GEAR
13-10	09181-75016	SHIM (T:0.95)	1	FWD GEAR
13-11	09181-75011	SHIM (T:1.00)	1	FWD GEAR
14	09269-75002	BEARING (75X100X4)	1	FWD GEAR
15	57610-93J20	SHAFT, PROPELLER	1	
16	57621-93J20	SHIFTER, CLUTCH DOG	1	
17	09202-08007	PIN (8X49)	1	
18	57631-93J00	PIN, CONNECTOR	1	
19	09440-52003	SPRING	1	
20	09440-09040	SPRING	1	
21	06111-07004	BALL	2	
22	06111-11004	BALL	2	

FIG.220M

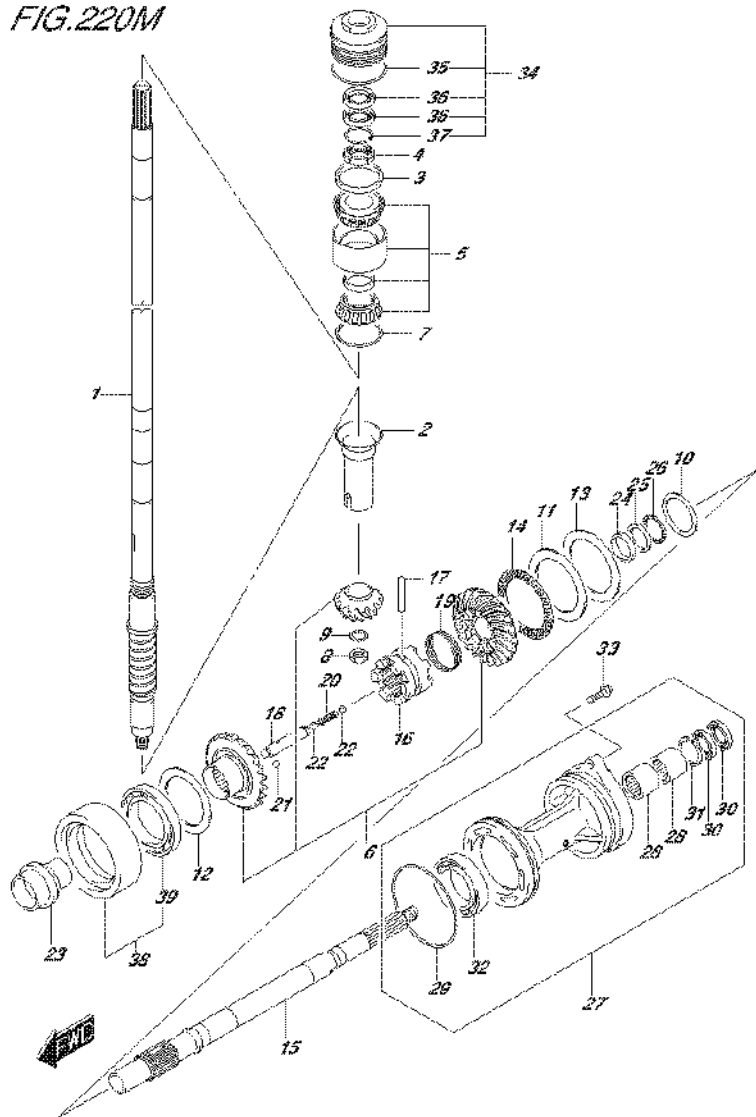


FIG.220M (2-E-9) TRANSMISSION (DF250Z E40)

REF NO.	PART NO.	DESCRIPTION	Q'TY	REMARKS
23	57622-93J00	SPACER, FWD THRUST	1	
24	09160-30055	WASHER (30X47X6)	1	
25	09160-30056	WASHER (32X47X3)	1	
26	09269-30014	BEARING (30X47X2)	1	
27-1	56120-93J13-0EP	HOUSING, PROP SFT BRG (BLACK)	1	
27-2	56120-93J13-Y5S	HOUSING, PROP SFT BRG (WHITE)	1	
28	09263-30023	.BEARING (30X40X25)	2	
29	09280-00040	.O RING (D:3.1,ID:104.4)	1	
30	09282-30006	.OIL SEAL (30X45X6)	2	
31	09381-40003	.CIRCLIP	1	
32	09263-50009	.BEARING (50X65X25)	1	
33	09116-08158	BOLT (8X35)	2	
34	56130-93J02	HOUSING, DRIVE SHAFT BRG	1	
35	09280-66004	.O RING (D:3.1,ID:65.4)	1	
36	09282-24004	.OIL SEAL (24X40X7)	2	
37	09381-40003	.CIRCLIP	1	
38	56140-93J10	HOUSING, REV GEAR BRG	1	
39	09262-60002	.BEARING (60X85X13)	1	

FIG.301A

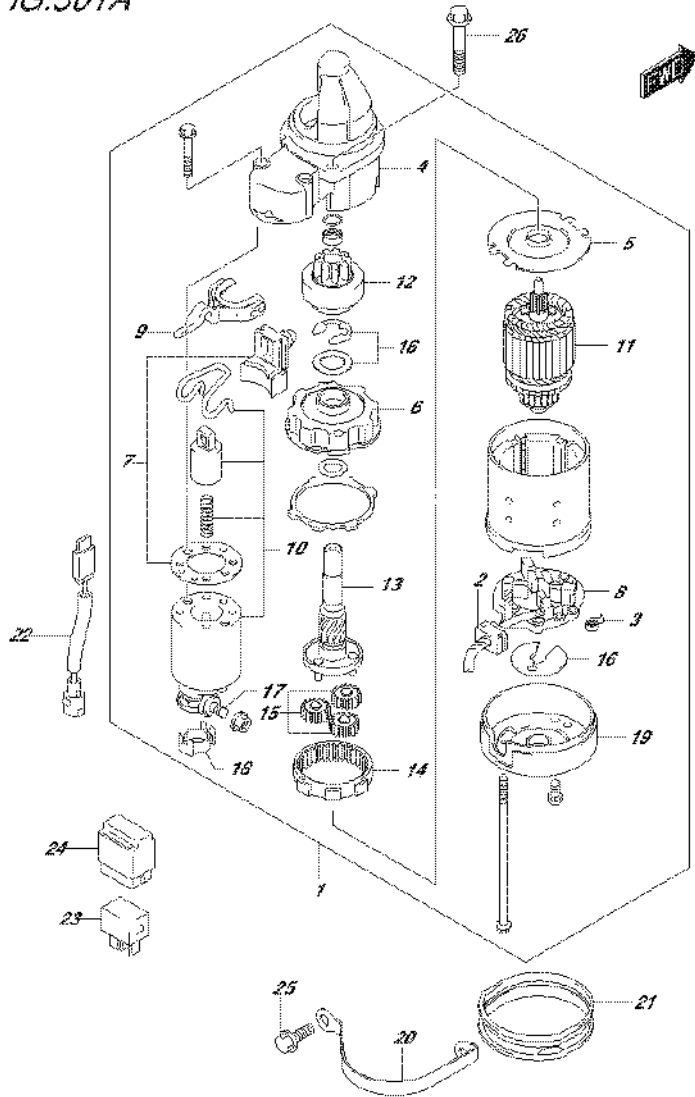


FIG.301A (2-E-10) STARTING MOTOR

REF NO.	PART NO.	DESCRIPTION	Q'TY	REMARKS
1	31100-96J02	STARTING MOTOR	1	
2	31131-90J01	.BRUSH SET, PLUS	1	
3	31135-90J00	.SPRING	4	
4	31151-94J01	.CASE, GEAR	1	
5	31152-90J00	.PLATE, CENTER	1	
6	31153-90J00	.BRACKET, PLANET GEAR	1	
7	31171-96J00	.COVER KIT, DUST	1	
8	31173-90J02	.HOLDER, BRUSH	1	
9	31191-96J00	.LEVER, SHIFT	1	
10	31220-94J00	.SWITCH, MAGNETO	1	
11	31310-90J00	.ARMATURE	1	
12	31320-93J00	.PINION	1	
13	31341-93J00	.SHAFT, PINION	1	
14	31343-90J00	.INTERNAL GEAR	1	
15	31344-90J00	.GEAR, PLANETARY	3	
16	31360-93J01	.WASHER SET	1	
17	31913-93J00	.TERMINAL	1	
18	31914-93J00	.CAP, TERMINAL	1	
19	31170-90J00	.COVER ASSY, REAR	1	
20	31912-93J01	BAND, STARTING MOTOR	1	
21	31918-90J10	DAMPER, LOWER	1	
22	36645-93J00	LEAD WIRE	1	
23	38860-76F01	RELAY, STARTING MOTOR	1	
24	38915-90J00	HOLDER, RELAY	1	
25	01550-08207	BOLT	2	LOWER
26	01550-08307	BOLT	2	UPPER

FIG.303A

FIG.303A (2-E-11) MAGNETO (DF200T E01)

REF NO.	PART NO.	DESCRIPTION	Q'TY	REMARKS
1	32102-93J02	FLYWHEEL	1	
2	09103-12125	BOLT (12X26)	8	
3	09202-06031	PIN (6X12)	1	
4	32120-93J00	COIL, BATTERY CHARGING	1	
5	32131-93J00	HOLDER, STATER CONNECTING	1	
6	01550-06167	BOLT	2	
7	32160-88L00	COIL, IGNITION TIMING	1	
8	09106-05030	BOLT (5X10)	2	
9	33220-69J00	SENSOR, CAM POSITION	1	
10	33221-42F00	.O RING	1	
11	01550-06167	BOLT	1	
12	09103-06231	BOLT (6X35)	4	
13	09403-13408	CLAMP	2	
14	01550-06127	BOLT	2	

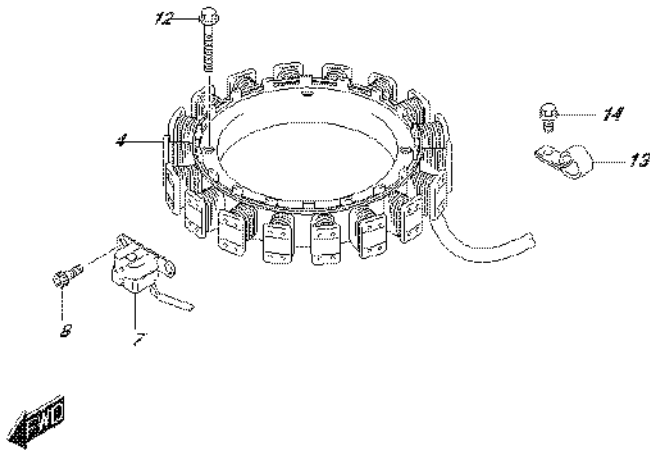
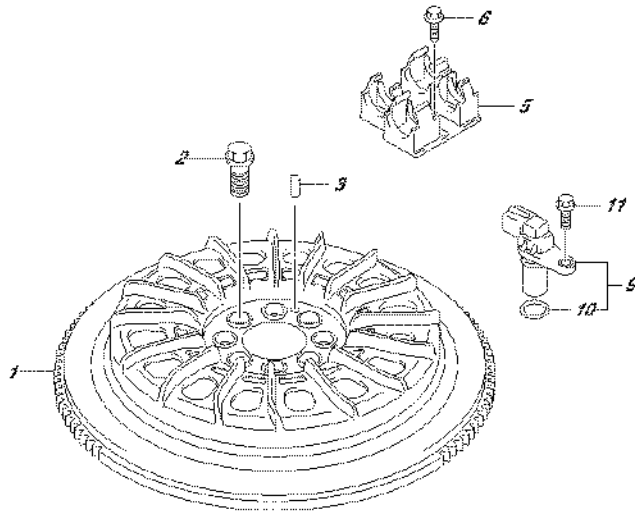


FIG.303B

FIG.303B (2-E-12) MAGNETO (DF200T E40)

REF NO.	PART NO.	DESCRIPTION	Q'TY	REMARKS
1	32102-93J02	FLYWHEEL	1	
2	09103-12125	BOLT (12X26)	8	
3	09202-06031	PIN (6X12)	1	
4	32120-93J00	COIL, BATTERY CHARGING	1	
5	32131-93J00	HOLDER, STATER CONNECTING	1	
6	01550-06167	BOLT	2	
7	32160-88L00	COIL, IGNITION TIMING	1	
8	09106-05030	BOLT (5X10)	2	
9	33220-69J00	SENSOR, CAM POSITION	1	
10	.O RING	1		
11	01550-06167	BOLT	1	
12	09103-06231	BOLT (6X35)	4	
13	09403-13408	CLAMP	2	
14	01550-06127	BOLT	2	

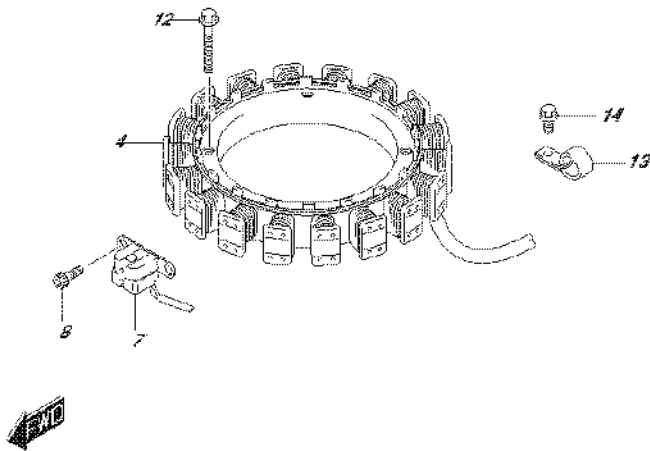
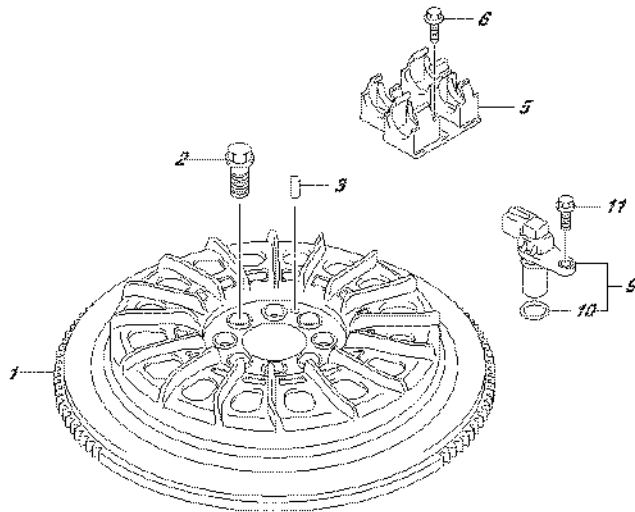


FIG.303C

FIG.303C (2-E-13) MAGNETO (DF200Z E01)

REF NO.	PART NO.	DESCRIPTION	Q'TY	REMARKS
1	32102-93J02	FLYWHEEL	1	
2	09103-12125	BOLT (12X26)	8	
3	09202-06031	PIN (6X12)	1	
4	32120-93J00	COIL, BATTERY CHARGING	1	
5	32131-93J00	HOLDER, STATER CONNECTING	1	
6	01550-06167	BOLT	2	
7	32160-88L00	COIL, IGNITION TIMING	1	
8	09106-05030	BOLT (5X10)	2	
9	33220-69J00	SENSOR, CAM POSITION	1	
10	33221-42F00	.O RING	1	
11	01550-06167	BOLT	1	
12	09103-06231	BOLT (6X35)	4	
13	09403-13408	CLAMP	2	
14	01550-06127	BOLT	2	

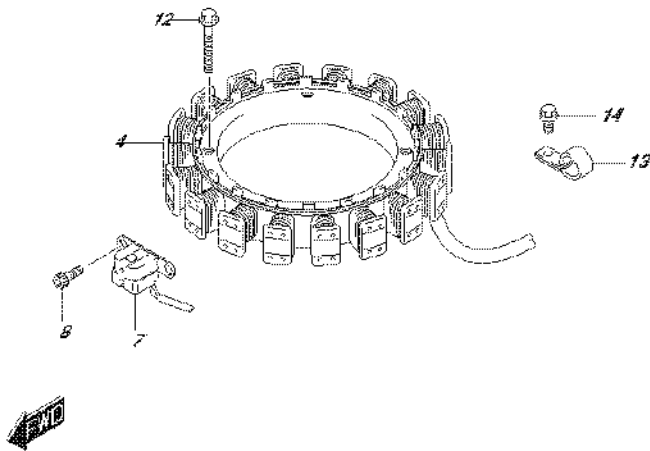
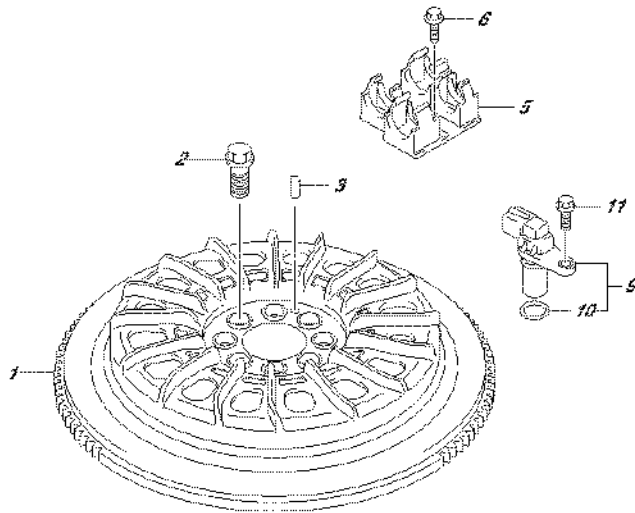


FIG.303D

FIG.303D (2-E-14) MAGNETO (DF200Z E40)

REF NO.	PART NO.	DESCRIPTION	Q'TY	REMARKS
1	32102-93J02	FLYWHEEL	1	
2	09103-12125	BOLT (12X26)	8	
3	09202-06031	PIN (6X12)	1	
4	32120-93J00	COIL, BATTERY CHARGING	1	
5	32131-93J00	HOLDER, STATER CONNECTING	1	
6	01550-06167	BOLT	2	
7	32160-88L00	COIL, IGNITION TIMING	1	
8	09106-05030	BOLT (5X10)	2	
9	33220-69J00	SENSOR, CAM POSITION	1	
10	.O RING	1		
11	01550-06167	BOLT	1	
12	09103-06231	BOLT (6X35)	4	
13	09403-13408	CLAMP	2	
14	01550-06127	BOLT	2	

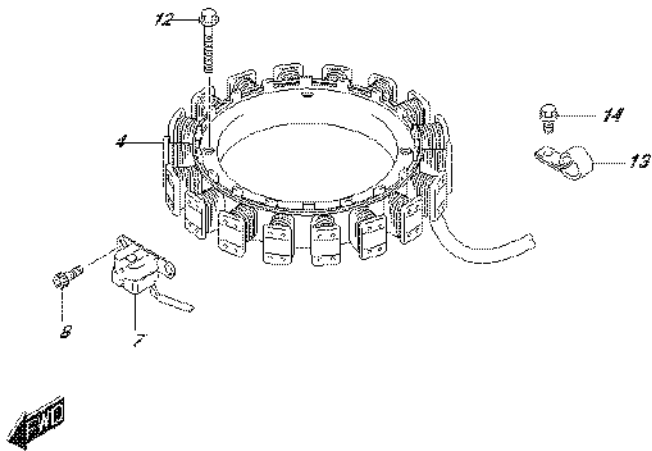
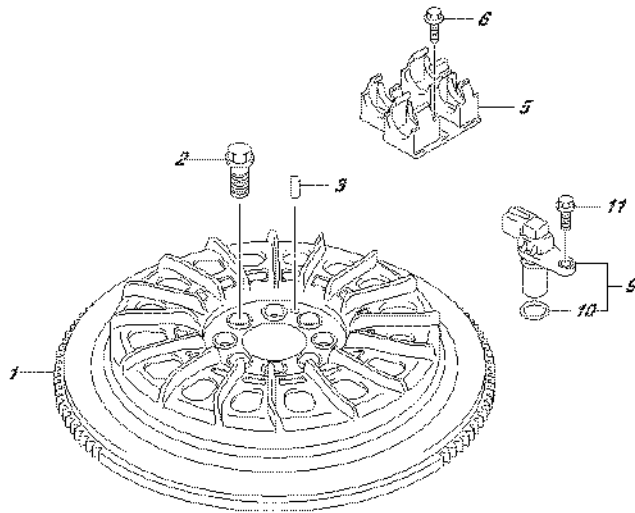


FIG.303E

FIG.303E (2-E-15) MAGNETO (DF225T E01)

REF NO.	PART NO.	DESCRIPTION	Q'TY	REMARKS
1	32102-93J02	FLYWHEEL	1	
2	09103-12125	BOLT (12X26)	8	
3	09202-06031	PIN (6X12)	1	
4	32120-93J00	COIL, BATTERY CHARGING	1	
5	32131-93J00	HOLDER, STATER CONNECTING	1	
6	01550-06167	BOLT	2	
7	32160-88L00	COIL, IGNITION TIMING	1	
8	09106-05030	BOLT (5X10)	2	
9	33220-69J00	SENSOR, CAM POSITION	1	
10	33221-42F00	.O RING	1	
11	01550-06167	BOLT	1	
12	09103-06231	BOLT (6X35)	4	
13	09403-13408	CLAMP	2	
14	01550-06127	BOLT	2	

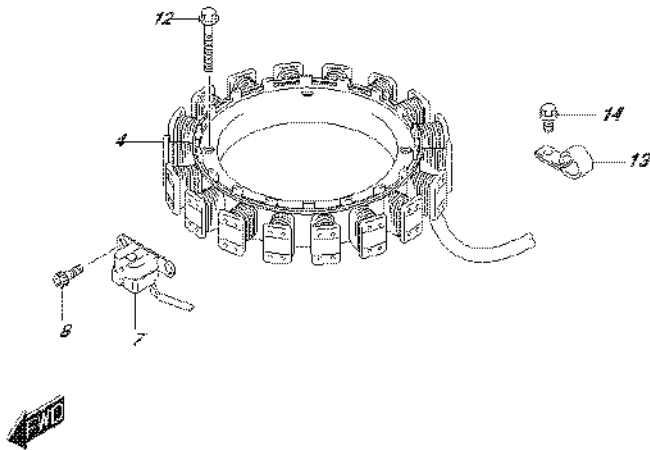
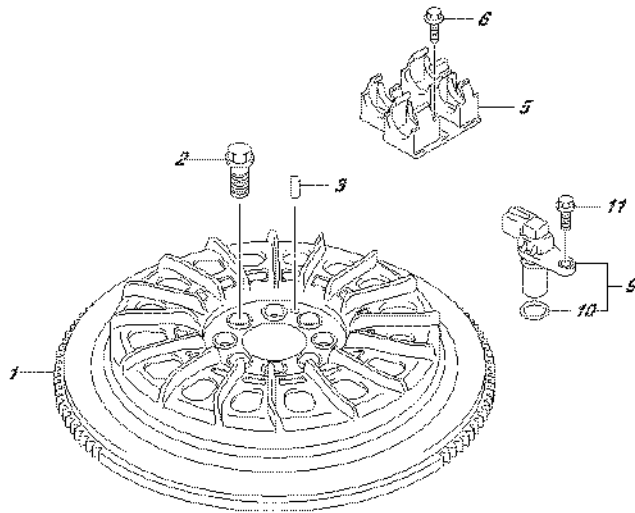


FIG.303F

FIG.303F (2-F-2) MAGNETO (DF225T E40)

REF NO.	PART NO.	DESCRIPTION	Q'TY	REMARKS
1	32102-93J02	FLYWHEEL	1	
2	09103-12125	BOLT (12X26)	8	
3	09202-06031	PIN (6X12)	1	
4	32120-93J00	COIL, BATTERY CHARGING	1	
5	32131-93J00	HOLDER, STATER CONNECTING	1	
6	01550-06167	BOLT	2	
7	32160-88L00	COIL, IGNITION TIMING	1	
8	09106-05030	BOLT (5X10)	2	
9	33220-69J00	SENSOR, CAM POSITION	1	
10	.O RING	1		
11	01550-06167	BOLT	1	
12	09103-06231	BOLT (6X35)	4	
13	09403-13408	CLAMP	2	
14	01550-06127	BOLT	2	

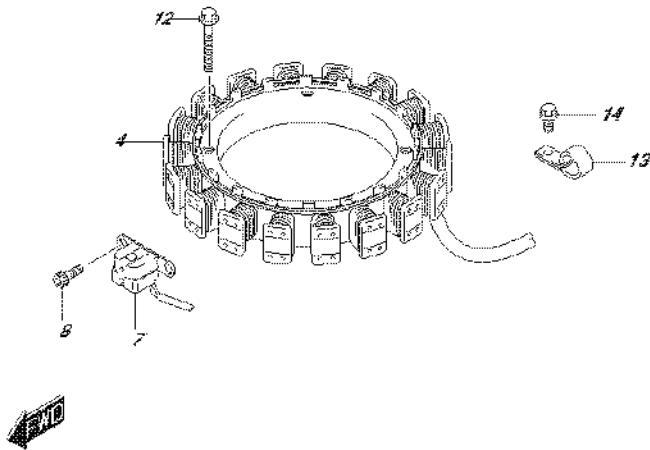
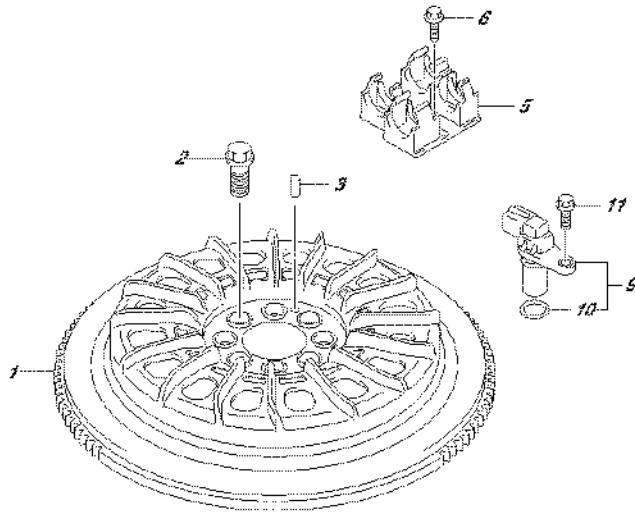


FIG.303G

FIG.303G (2-F-3) MAGNETO (DF225Z E01)

REF NO.	PART NO.	DESCRIPTION	Q'TY	REMARKS
1	32102-93J02	FLYWHEEL	1	
2	09103-12125	BOLT (12X26)	8	
3	09202-06031	PIN (6X12)	1	
4	32120-93J00	COIL, BATTERY CHARGING	1	
5	32131-93J00	HOLDER, STATER CONNECTING	1	
6	01550-06167	BOLT	2	
7	32160-88L00	COIL, IGNITION TIMING	1	
8	09106-05030	BOLT (5X10)	2	
9	33220-69J00	SENSOR, CAM POSITION	1	
10	33221-42F00	.O RING	1	
11	01550-06167	BOLT	1	
12	09103-06231	BOLT (6X35)	4	
13	09403-13408	CLAMP	2	
14	01550-06127	BOLT	2	

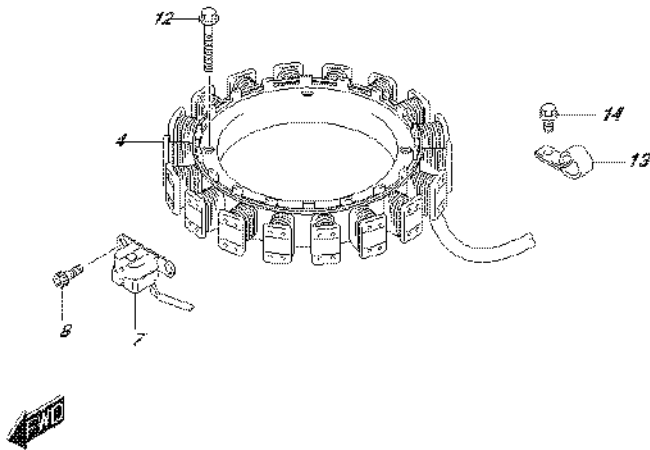
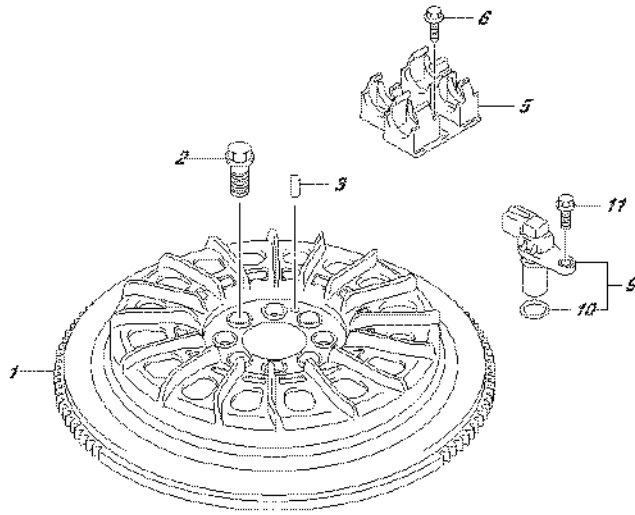


FIG.303H

FIG.303H (2-F-4) MAGNETO (DF225Z E40)

REF NO.	PART NO.	DESCRIPTION	Q'TY	REMARKS
1	32102-93J02	FLYWHEEL	1	
2	09103-12125	BOLT (12X26)	8	
3	09202-06031	PIN (6X12)	1	
4	32120-93J00	COIL, BATTERY CHARGING	1	
5	32131-93J00	HOLDER, STATER CONNECTING	1	
6	01550-06167	BOLT	2	
7	32160-88L00	COIL, IGNITION TIMING	1	
8	09106-05030	BOLT (5X10)	2	
9	33220-69J00	SENSOR, CAM POSITION	1	
10	.O RING	1		
11	01550-06167	BOLT	1	
12	09103-06231	BOLT (6X35)	4	
13	09403-13408	CLAMP	2	
14	01550-06127	BOLT	2	

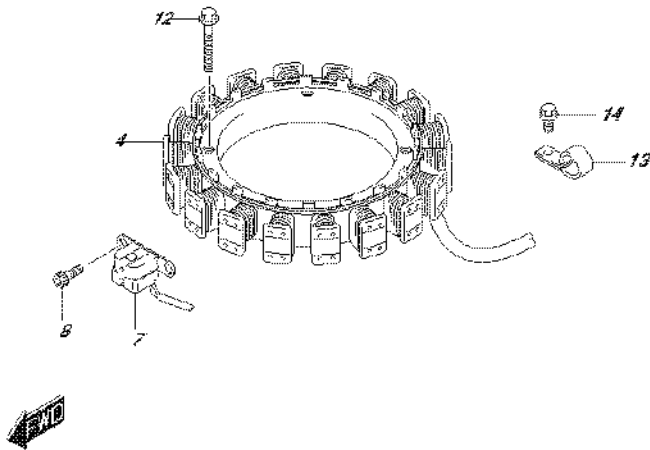
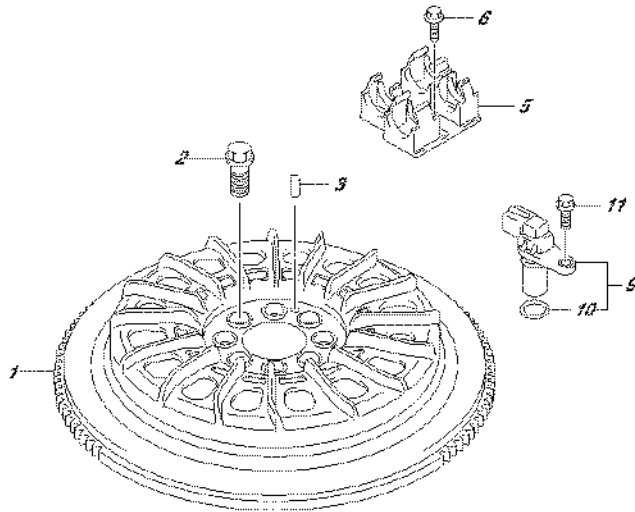


FIG.303J

FIG.303J (2-F-5) MAGNETO (DF250T E01)

REF NO.	PART NO.	DESCRIPTION	Q'TY	REMARKS
1	32102-93J02	FLYWHEEL	1	
2	09103-12125	BOLT (12X26)	8	
3	09202-06031	PIN (6X12)	1	
4	32120-93J00	COIL, BATTERY CHARGING	1	
5	32131-93J00	HOLDER, STATER CONNECTING	1	
6	01550-06167	BOLT	2	
7	32160-88L00	COIL, IGNITION TIMING	1	
8	09106-05030	BOLT (5X10)	2	
9	33220-69J00	SENSOR, CAM POSITION	3	
10	33221-42F00	.O RING	3	
11	01550-06167	BOLT	3	
12	09103-06231	BOLT (6X35)	4	
13	09403-13408	CLAMP	2	
14	01550-06127	BOLT	2	

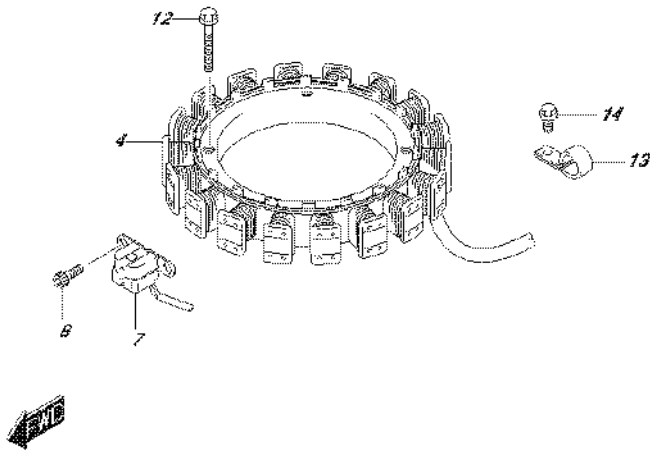
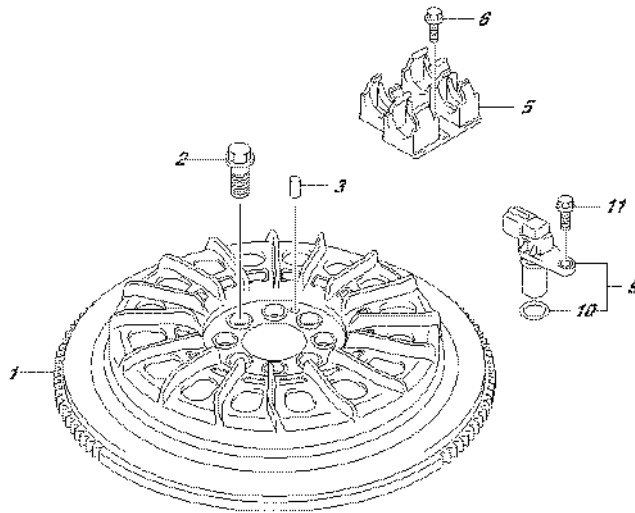
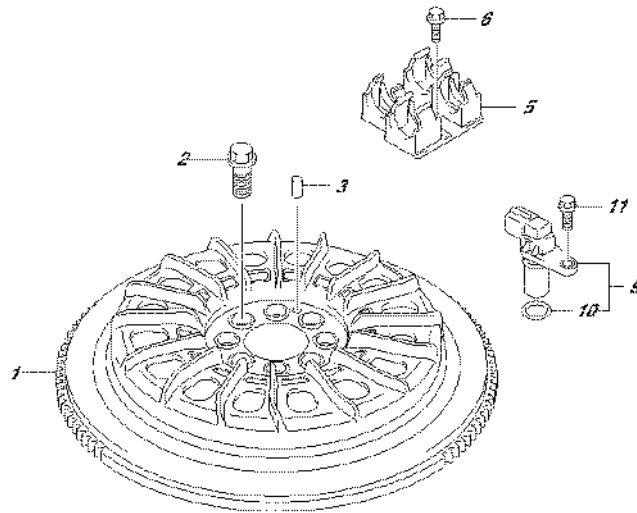


FIG.303K

FIG.303K (2-F-6) MAGNETO (DF250T E40)



REF NO.	PART NO.	DESCRIPTION	Q'TY	REMARKS
1	32102-93J02	FLYWHEEL	1	
2	09103-12125	BOLT (12X26)	8	
3	09202-06031	PIN (6X12)	1	
4	32120-93J00	COIL, BATTERY CHARGING	1	
5	32131-93J00	HOLDER, STATER CONNECTING	1	
6	01550-06167	BOLT	2	
7	32160-88L00	COIL, IGNITION TIMING	1	
8	09106-05030	BOLT (5X10)	2	
9	33220-69J00	SENSOR, CAM POSITION	3	
10	33221-42F00	.O RING	3	
11	01550-06167	BOLT	3	
12	09103-06231	BOLT (6X35)	4	
13	09403-13408	CLAMP	2	
14	01550-06127	BOLT	2	

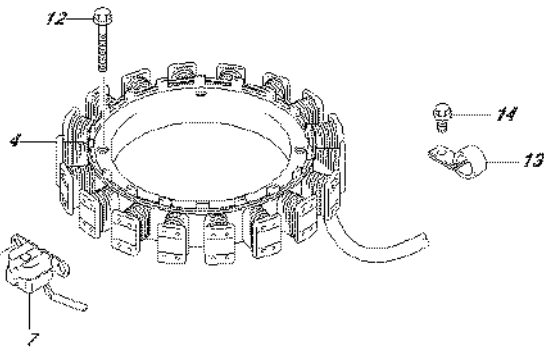


FIG.303L

FIG.303L (2-F-7) MAGNETO (DF250Z E01)

REF NO.	PART NO.	DESCRIPTION	Q'TY	REMARKS
1	32102-93J02	FLYWHEEL	1	
2	09103-12125	BOLT (12X26)	8	
3	09202-06031	PIN (6X12)	1	
4	32120-93J00	COIL, BATTERY CHARGING	1	
5	32131-93J00	HOLDER, STATER CONNECTING	1	
6	01550-06167	BOLT	2	
7	32160-88L00	COIL, IGNITION TIMING	1	
8	09106-05030	BOLT (5X10)	2	
9	33220-69J00	SENSOR, CAM POSITION	3	
10	33221-42F00	.O RING	3	
11	01550-06167	BOLT	3	
12	09103-06231	BOLT (6X35)	4	
13	09403-13408	CLAMP	2	
14	01550-06127	BOLT	2	

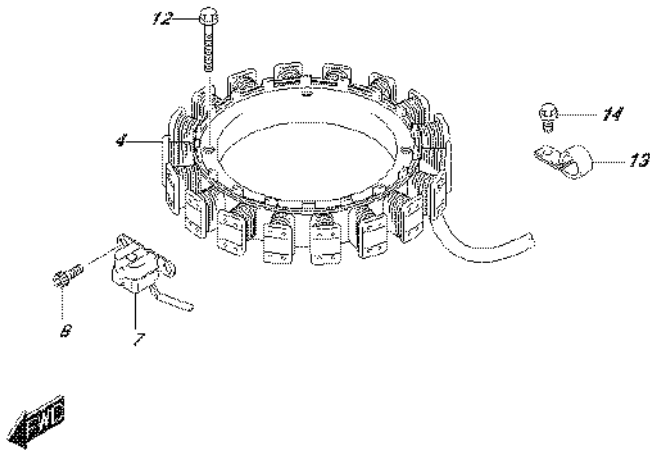
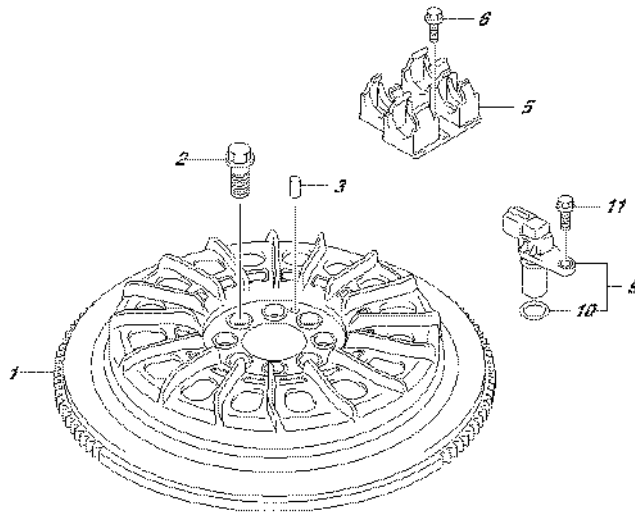


FIG.303M

FIG.303M (2-F-8) MAGNETO (DF250Z E40)

REF NO.	PART NO.	DESCRIPTION	Q'TY	REMARKS
1	32102-93J02	FLYWHEEL	1	
2	09103-12125	BOLT (12X26)	8	
3	09202-06031	PIN (6X12)	1	
4	32120-93J00	COIL, BATTERY CHARGING	1	
5	32131-93J00	HOLDER, STATER CONNECTING	1	
6	01550-06167	BOLT	2	
7	32160-88L00	COIL, IGNITION TIMING	1	
8	09106-05030	BOLT (5X10)	2	
9	33220-69J00	SENSOR, CAM POSITION	3	
10	33221-42F00	.O RING	3	
11	01550-06167	BOLT	3	
12	09103-06231	BOLT (6X35)	4	
13	09403-13408	CLAMP	2	
14	01550-06127	BOLT	2	

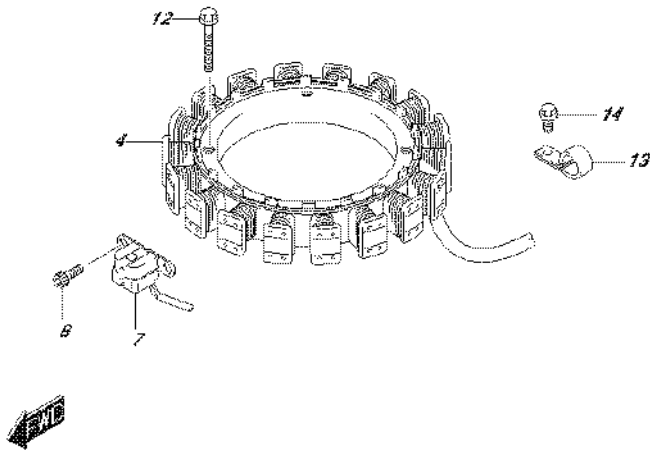
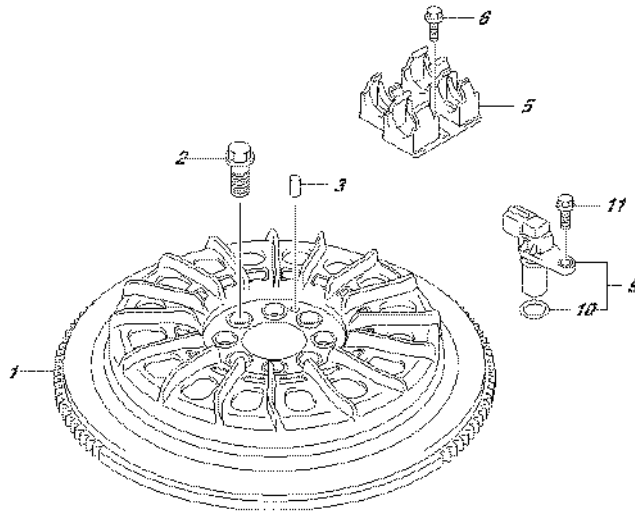


FIG.310A

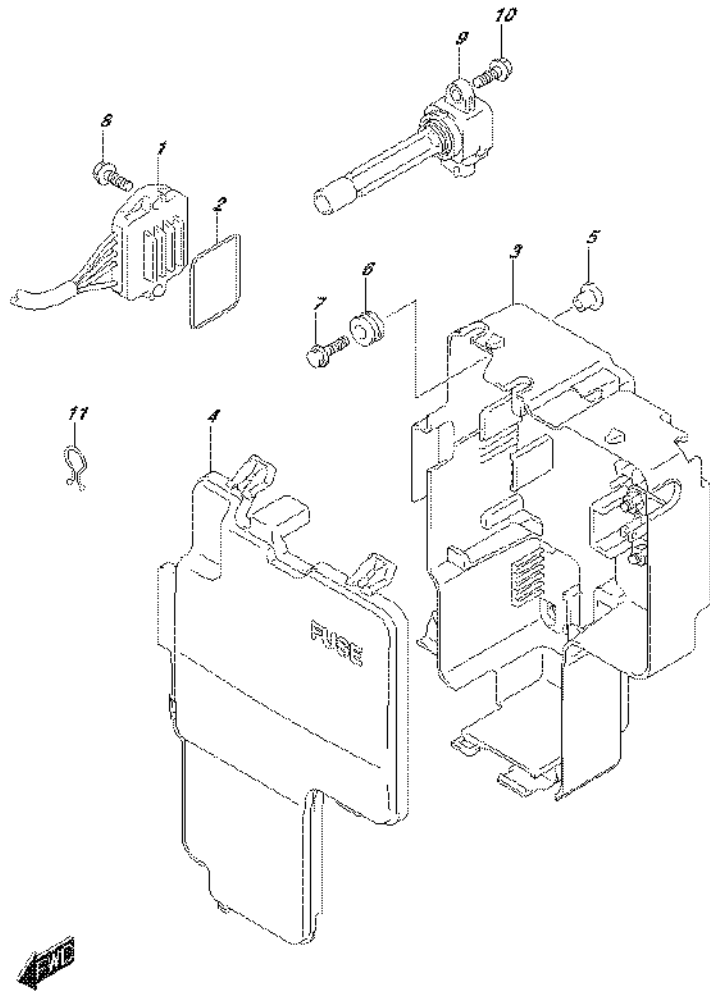


FIG.310A (2-F-9) RECTIFIER/IGNITION COIL

REF NO.	PART NO.	DESCRIPTION	Q'TY	REMARKS
1	32800-93J03	RECTIFIER & REGULATOR	2	
2	32805-93J00	O RING, RECTIFIER & REGULATOR	2	
3	32890-93J01	HOLDER, ELECTRIC PARTS	1	
4	32891-93J00	COVER, ELECTRIC PARTS HOLDER	1	
5	09169-06062	WASHER	4	
6	09320-09016	CUSHION	4	
7	09116-06202	BOLT (6X25)	4	
8	01550-06257	BOLT	4	
9	33410-93J00	COIL ASSY, IGNITION	6	
10	01547-06207	BOLT	6	
11	09408-00021	CLIP (ID:16)	1	

FIG.315A

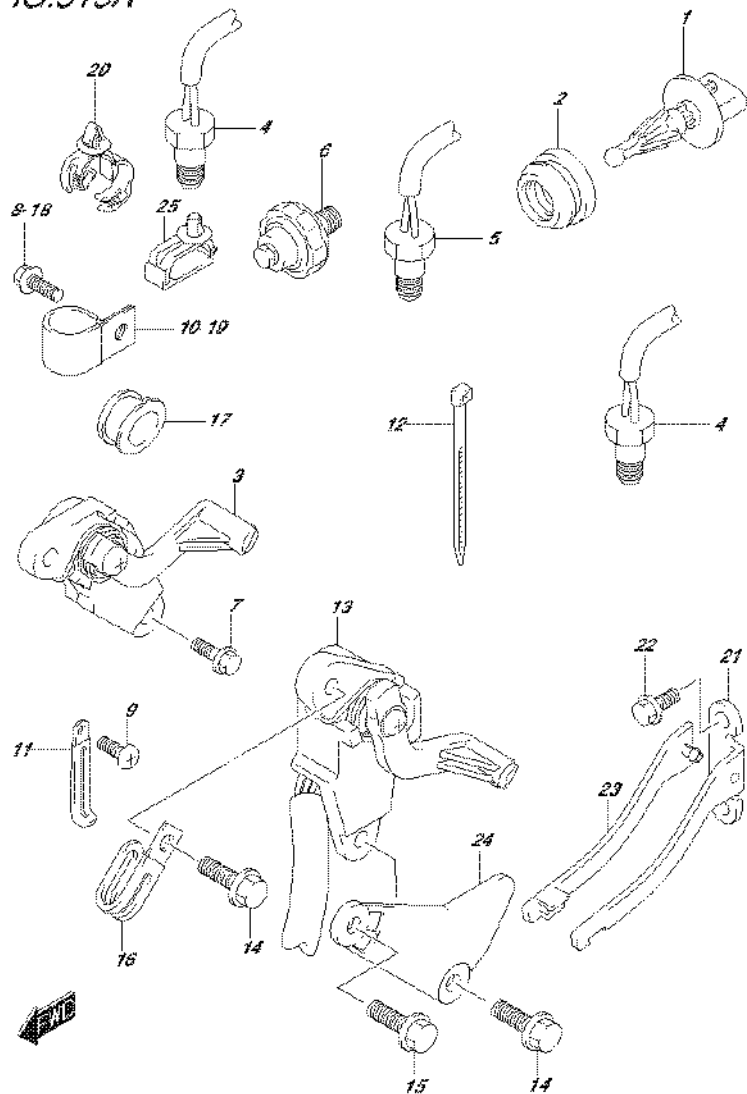


FIG.315A (2-F-10) SENSOR (DF200T E01)

REF NO.	PART NO.	DESCRIPTION	Q'TY	REMARKS
1	13650-52G00	SENSOR, INLET AIR TEMP	1	
2	13655-87J00	GROMMET, AIR TEMP SENSOR	1	
3	34801-93J03	SENDER ASSY, TRIM	1	W/TRANSOM(X,XX)
4	34830-87J20	SENSOR ASSY, EXHAUST TEMP	2	
5	34830-87J20	SENSOR ASSY, CYLINDER TEMP	1	
6	37820-99E01	SWITCH ASSY, OIL PRESSURE	1	
7	09100-06113	BOLT (6X16)	2	W/TRANSOM(X,XX)
8	29103-93J00	BOLT, TRIM SENDER CLAMP	1	W/TRANSOM(X,XX)
9	09125-06063	SCREW (6X10)	1	W/TRANSOM(X,XX)
10	09403-19409	CLAMP	1	W/TRANSOM(X,XX)
11	29404-93J10	CLAMP, TRIM SENDER	1	W/TRANSOM(X,XX)
12	09407-14407	CLAMP (L:145)	2	
13	34801-99E04	SENDER ASSY, TRIM	1	W/TRANSOM(L)
14	09103-06093	BOLT (6X20)	2	W/TRANSOM(L)
15	09103-06093	BOLT (6X20)	1	W/TRANSOM(L)
16	29404-93J20	CLAMP, TRIM SENDER LEAD	1	W/TRANSOM(L)
17	34813-93J00	PROTECTOR, LEAD WIRE	1	W/TRANSOM(L)
18	29103-93J00	BOLT, PTT MOTOR LEAD CLAMP	1	W/TRANSOM(L)
19	09403-19409	CLAMP	1	W/TRANSOM(L)
20	09403-20308	CLAMP	1	W/TRANSOM(L)
21	43117-96J00	CAM, TRIM SENDER	1	W/TRANSOM(L)
22	09116-05010	BOLT (5X12)	2	W/TRANSOM(L)
23	43118-96J00	PLATE, TRIM SENDER CAM	1	W/TRANSOM(L)
24	41118-96J00	PLATE, TRIM SENDER	1	W/TRANSOM(L)
25	09403-07340	CLAMP	1	W/TRANSOM(X,XX)

FIG.315B

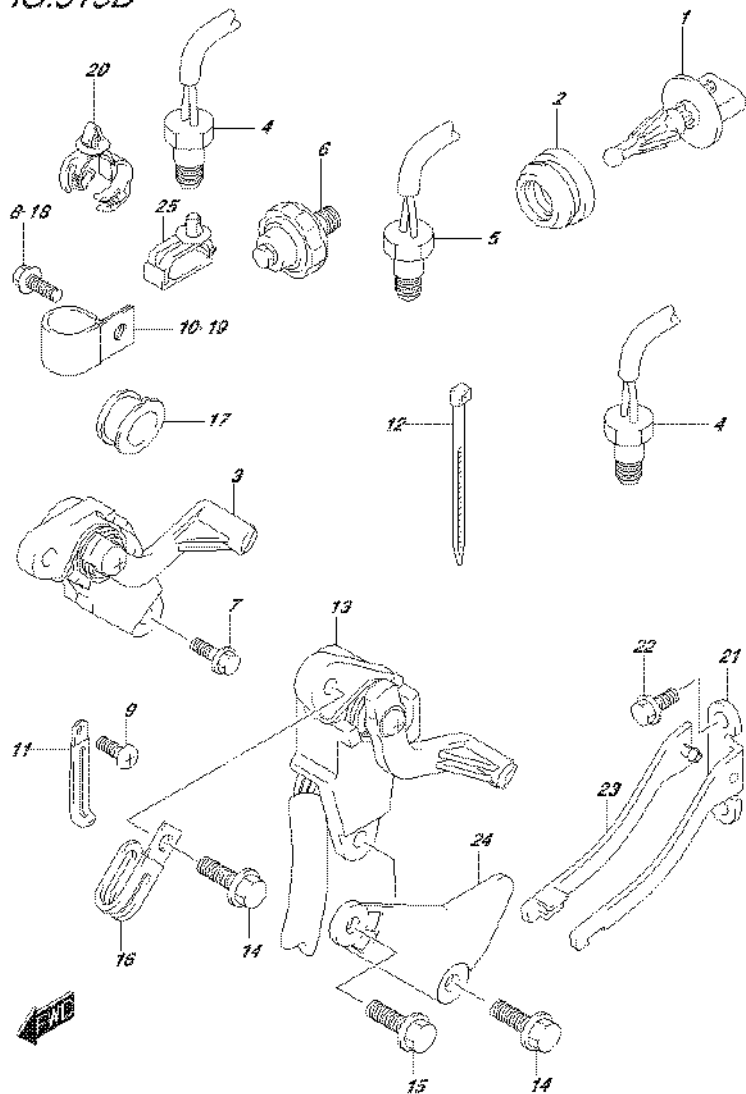


FIG.315B (2-F-11) SENSOR (DF200T E40)

REF NO.	PART NO.	DESCRIPTION	Q'TY	REMARKS
1	13650-52G00	SENSOR, INLET AIR TEMP	1	
2	13655-87J00	GROMMET, AIR TEMP SENSOR	1	
3	34801-93J03	SENDER ASSY, TRIM	1	W/TRANSOM(X)
4	34830-87J20	SENSOR ASSY, EXHAUST TEMP	2	
5	34830-87J20	SENSOR ASSY, CYLINDER TEMP	1	
6	37820-99E01	SWITCH ASSY, OIL PRESSURE	1	
7	09100-06113	BOLT (6X16)	2	W/TRANSOM(X)
8	29103-93J00	BOLT, TRIM SENDER CLAMP	1	W/TRANSOM(X)
9	09125-06063	SCREW (6X10)	1	W/TRANSOM(X)
10	09403-19409	CLAMP	1	W/TRANSOM(X)
11	29404-93J10	CLAMP, TRIM SENDER	1	W/TRANSOM(X)
12	09407-14407	CLAMP (L:145)	2	
13	34801-99E04	SENDER ASSY, TRIM	1	W/TRANSOM(L)
14	09103-06093	BOLT (6X20)	2	W/TRANSOM(L)
15	09103-06093	BOLT (6X20)	1	W/TRANSOM(L)
16	29404-93J20	CLAMP, TRIM SENDER LEAD	1	W/TRANSOM(L)
17	34813-93J00	PROTECTOR, LEAD WIRE	1	W/TRANSOM(L)
18	29103-93J00	BOLT, PTT MOTOR LEAD CLAMP	1	W/TRANSOM(L)
19	09403-19409	CLAMP	1	W/TRANSOM(L)
20	09403-20308	CLAMP	1	W/TRANSOM(L)
21	43117-96J00	CAM, TRIM SENDER	1	W/TRANSOM(L)
22	09116-05010	BOLT (5X12)	2	W/TRANSOM(L)
23	43118-96J00	PLATE, TRIM SENDER CAM	1	W/TRANSOM(L)
24	41118-96J00	PLATE, TRIM SENDER	1	W/TRANSOM(L)
25	09403-07340	CLAMP	1	W/TRANSOM(X)

FIG.315C

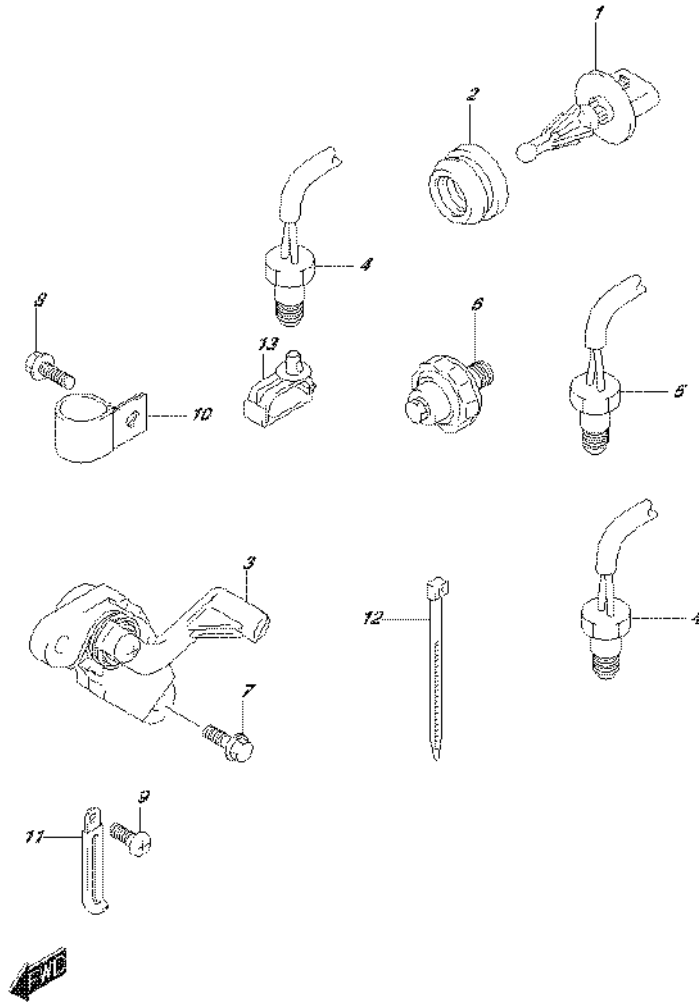


FIG.315C (2-F-12) SENSOR (DF200Z E01)

REF NO.	PART NO.	DESCRIPTION	Q'TY	REMARKS
1	13650-52G00	SENSOR, INLET AIR TEMP	1	
2	13655-87J00	GROMMET, AIR TEMP SENSOR	1	
3	34801-93J03	SENDER ASSY, TRIM	1	
4	34830-87J20	SENSOR ASSY, EXHAUST TEMP	2	
5	34830-87J20	SENSOR ASSY, CYLINDER TEMP	1	
6	37820-99E01	SWITCH ASSY, OIL PRESSURE	1	
7	09100-06113	BOLT (6X16)	2	
8	29103-93J00	BOLT, TRIM SENDER CLAMP	1	
9	09125-06063	SCREW (6X10)	1	
10	09403-19409	CLAMP	1	
11	29404-93J10	CLAMP, TRIM SENDER	1	
12	09407-14407	CLAMP (L:145)	2	
13	09403-07340	CLAMP	1	

FIG.315D

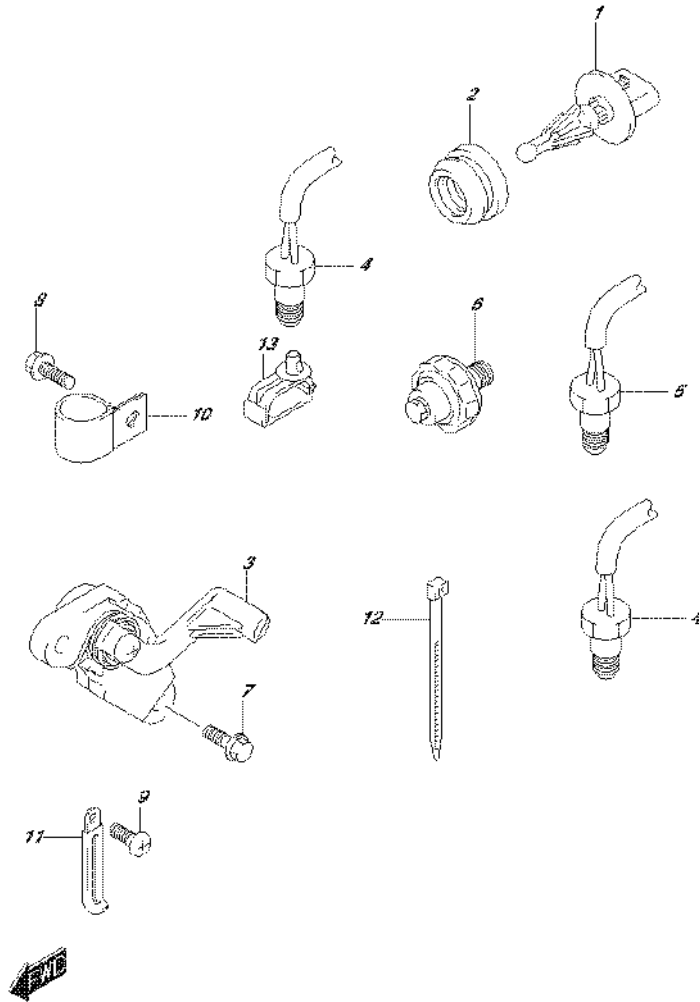


FIG.315D (2-F-13) SENSOR (DF200Z E40)

REF NO.	PART NO.	DESCRIPTION	Q'TY	REMARKS
1	13650-52G00	SENSOR, INLET AIR TEMP	1	
2	13655-87J00	GROMMET, AIR TEMP SENSOR	1	
3	34801-93J03	SENDER ASSY, TRIM	1	
4	34830-87J20	SENSOR ASSY, EXHAUST TEMP	2	
5	34830-87J20	SENSOR ASSY, CYLINDER TEMP	1	
6	37820-99E01	SWITCH ASSY, OIL PRESSURE	1	
7	09100-06113	BOLT (6X16)	2	
8	29103-93J00	BOLT, TRIM SENDER CLAMP	1	
9	09125-06063	SCREW (6X10)	1	
10	09403-19409	CLAMP	1	
11	29404-93J10	CLAMP, TRIM SENDER	1	
12	09407-14407	CLAMP (L:145)	2	
13	09403-07340	CLAMP	1	

FIG.315E

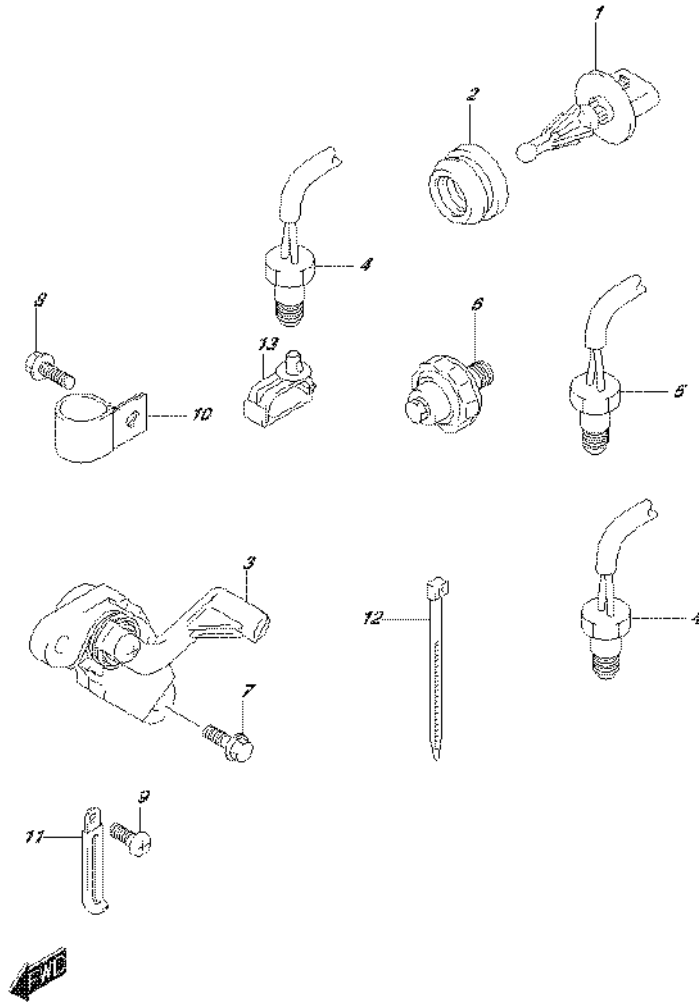


FIG.315E (2-F-14) SENSOR (DF225T E01)

REF NO.	PART NO.	DESCRIPTION	Q'TY	REMARKS
1	13650-52G00	SENSOR, INLET AIR TEMP	1	
2	13655-87J00	GROMMET, AIR TEMP SENSOR	1	
3	34801-93J03	SENDER ASSY, TRIM	1	
4	34830-87J20	SENSOR ASSY, EXHAUST TEMP	2	
5	34830-87J20	SENSOR ASSY, CYLINDER TEMP	1	
6	37820-99E01	SWITCH ASSY, OIL PRESSURE	1	
7	09100-06113	BOLT (6X16)	2	
8	29103-93J00	BOLT, TRIM SENDER CLAMP	1	
9	09125-06063	SCREW (6X10)	1	
10	09403-19409	CLAMP	1	
11	29404-93J10	CLAMP, TRIM SENDER	1	
12	09407-14407	CLAMP (L:145)	2	
13	09403-07340	CLAMP	1	

FIG.315F

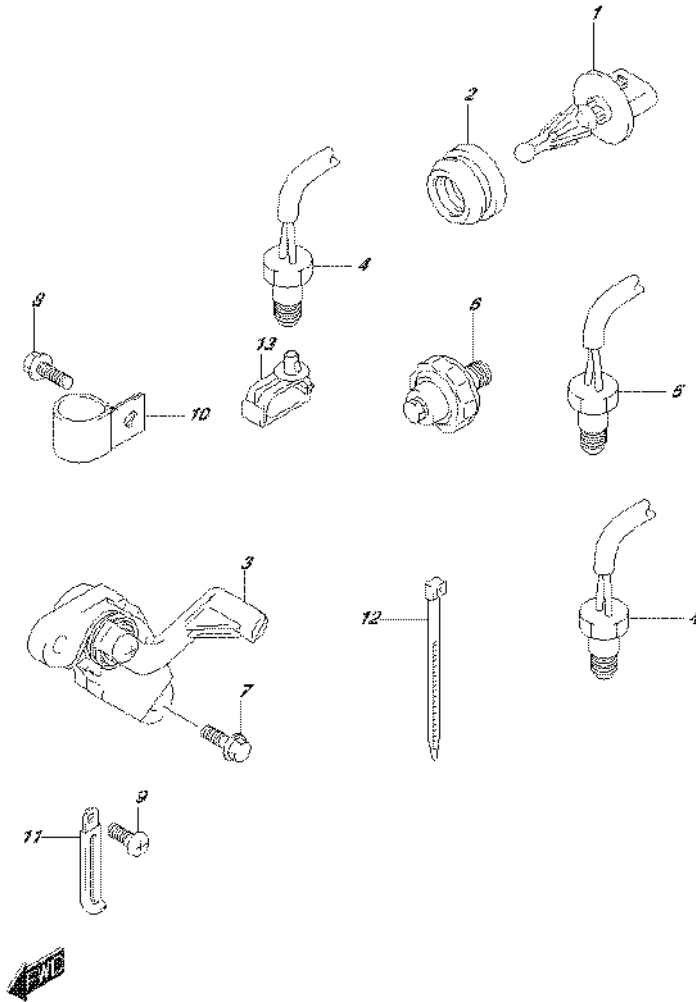


FIG.315F (2-F-15) SENSOR (DF225T E40)

REF NO.	PART NO.	DESCRIPTION	Q'TY	REMARKS
1	13650-52G00	SENSOR, INLET AIR TEMP	1	
2	13655-87J00	GROMMET, AIR TEMP SENSOR	1	
3	34801-93J03	SENDER ASSY, TRIM	1	
4	34830-87J20	SENSOR ASSY, EXHAUST TEMP	2	
5	34830-87J20	SENSOR ASSY, CYLINDER TEMP	1	
6	37820-99E01	SWITCH ASSY, OIL PRESSURE	1	
7	09100-06113	BOLT (6X16)	2	
8	29103-93J00	BOLT, TRIM SENDER CLAMP	1	
9	09125-06063	SCREW (6X10)	1	
10	09403-19409	CLAMP	1	
11	29404-93J10	CLAMP, TRIM SENDER	1	
12	09407-14407	CLAMP (L:145)	2	
13	09403-07340	CLAMP	1	

FIG.315G

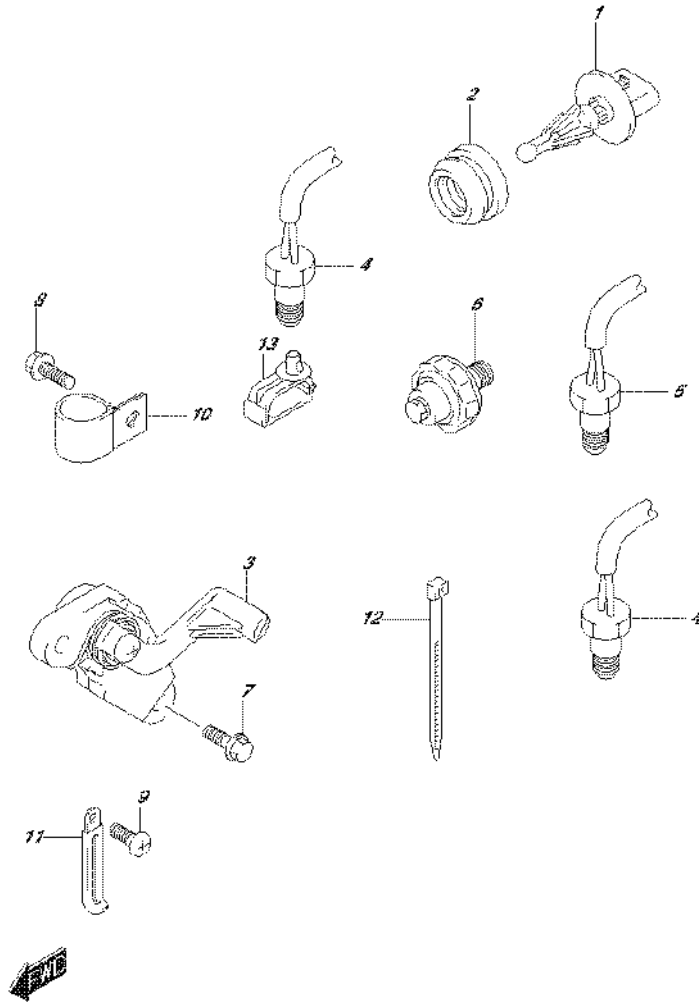


FIG.315G (2-G-2) SENSOR (DF225Z E01)

REF NO.	PART NO.	DESCRIPTION	Q'TY	REMARKS
1	13650-52G00	SENSOR, INLET AIR TEMP	1	
2	13655-87J00	GROMMET, AIR TEMP SENSOR	1	
3	34801-93J03	SENDER ASSY, TRIM	1	
4	34830-87J20	SENSOR ASSY, EXHAUST TEMP	2	
5	34830-87J20	SENSOR ASSY, CYLINDER TEMP	1	
6	37820-99E01	SWITCH ASSY, OIL PRESSURE	1	
7	09100-06113	BOLT (6X16)	2	
8	29103-93J00	BOLT, TRIM SENDER CLAMP	1	
9	09125-06063	SCREW (6X10)	1	
10	09403-19409	CLAMP	1	
11	29404-93J10	CLAMP, TRIM SENDER	1	
12	09407-14407	CLAMP (L:145)	2	
13	09403-07340	CLAMP	1	

FIG.315H

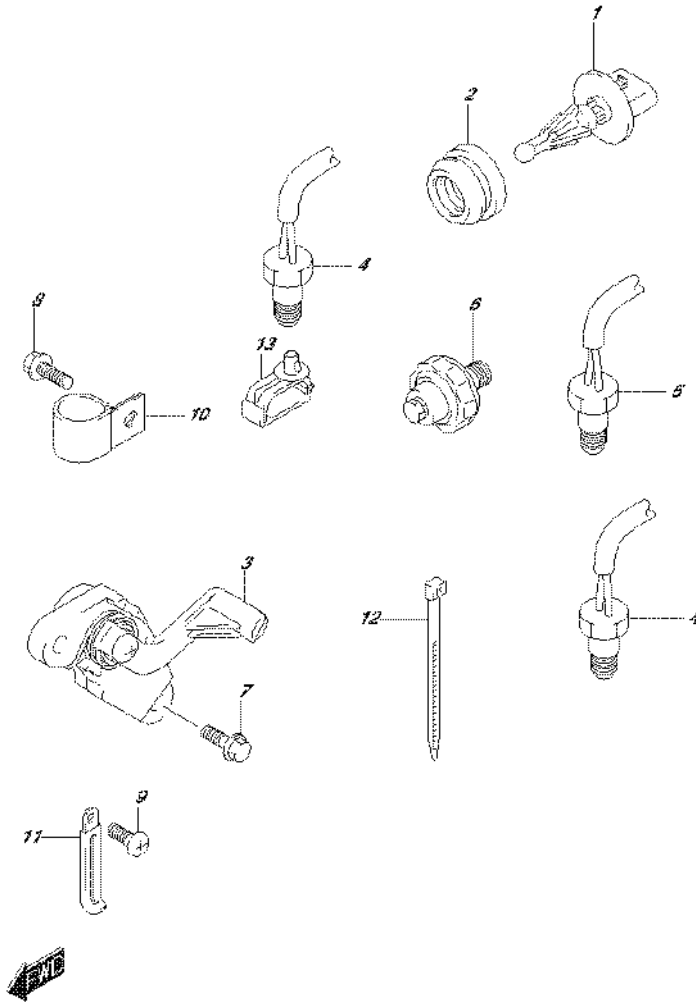


FIG.315H (2-G-3) SENSOR (DF225Z E40)

REF NO.	PART NO.	DESCRIPTION	Q'TY	REMARKS
1	13650-52G00	SENSOR, INLET AIR TEMP	1	
2	13655-87J00	GROMMET, AIR TEMP SENSOR	1	
3	34801-93J03	SENDER ASSY, TRIM	1	
4	34830-87J20	SENSOR ASSY, EXHAUST TEMP	2	
5	34830-87J20	SENSOR ASSY, CYLINDER TEMP	1	
6	37820-99E01	SWITCH ASSY, OIL PRESSURE	1	
7	09100-06113	BOLT (6X16)	2	
8	29103-93J00	BOLT, TRIM SENDER CLAMP	1	
9	09125-06063	SCREW (6X10)	1	
10	09403-19409	CLAMP	1	
11	29404-93J10	CLAMP, TRIM SENDER	1	
12	09407-14407	CLAMP (L:145)	2	
13	09403-07340	CLAMP	1	

FIG.315J

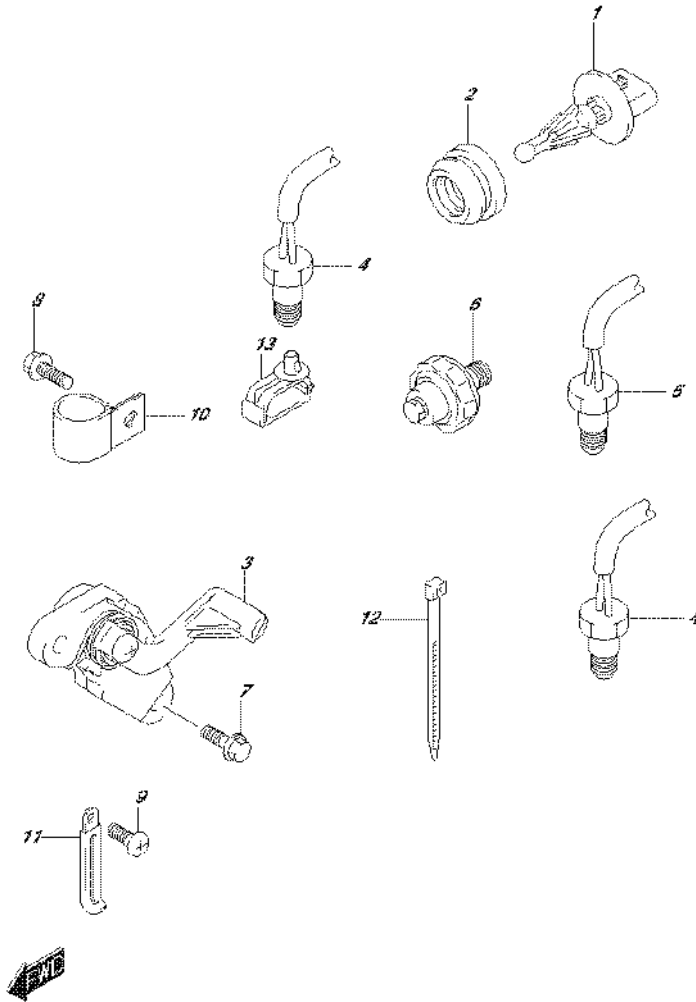


FIG.315J (2-G-4) SENSOR (DF250T E01)

REF NO.	PART NO.	DESCRIPTION	Q'TY	REMARKS
1	13650-52G00	SENSOR, INLET AIR TEMP	1	
2	13655-87J00	GROMMET, AIR TEMP SENSOR	1	
3	34801-93J03	SENDER ASSY, TRIM	1	
4	34830-87J20	SENSOR ASSY, EXHAUST TEMP	2	
5	34830-87J20	SENSOR ASSY, CYLINDER TEMP	1	
6	37820-99E01	SWITCH ASSY, OIL PRESSURE	1	
7	09100-06113	BOLT (6X16)	2	
8	29103-93J00	BOLT, TRIM SENDER CLAMP	1	
9	09125-06063	SCREW (6X10)	1	
10	09403-19409	CLAMP	1	
11	29404-93J10	CLAMP, TRIM SENDER	1	
12	09407-14407	CLAMP (L:145)	2	
13	09403-07340	CLAMP	1	

FIG.315K

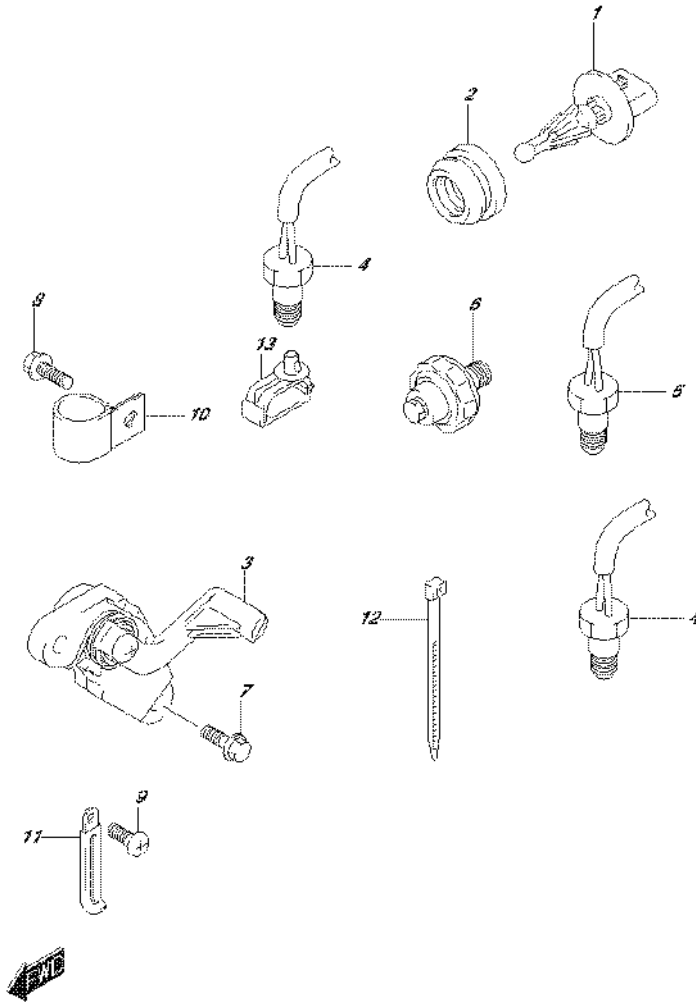


FIG.315K (2-G-5) SENSOR (DF250T E40)

REF NO.	PART NO.	DESCRIPTION	Q'TY	REMARKS
1	13650-52G00	SENSOR, INLET AIR TEMP	1	
2	13655-87J00	GROMMET, AIR TEMP SENSOR	1	
3	34801-93J03	SENDER ASSY, TRIM	1	
4	34830-87J20	SENSOR ASSY, EXHAUST TEMP	2	
5	34830-87J20	SENSOR ASSY, CYLINDER TEMP	1	
6	37820-99E01	SWITCH ASSY, OIL PRESSURE	1	
7	09100-06113	BOLT (6X16)	2	
8	29103-93J00	BOLT, TRIM SENDER CLAMP	1	
9	09125-06063	SCREW (6X10)	1	
10	09403-19409	CLAMP	1	
11	29404-93J10	CLAMP, TRIM SENDER	1	
12	09407-14407	CLAMP (L:145)	2	
13	09403-07340	CLAMP	1	

FIG.315L

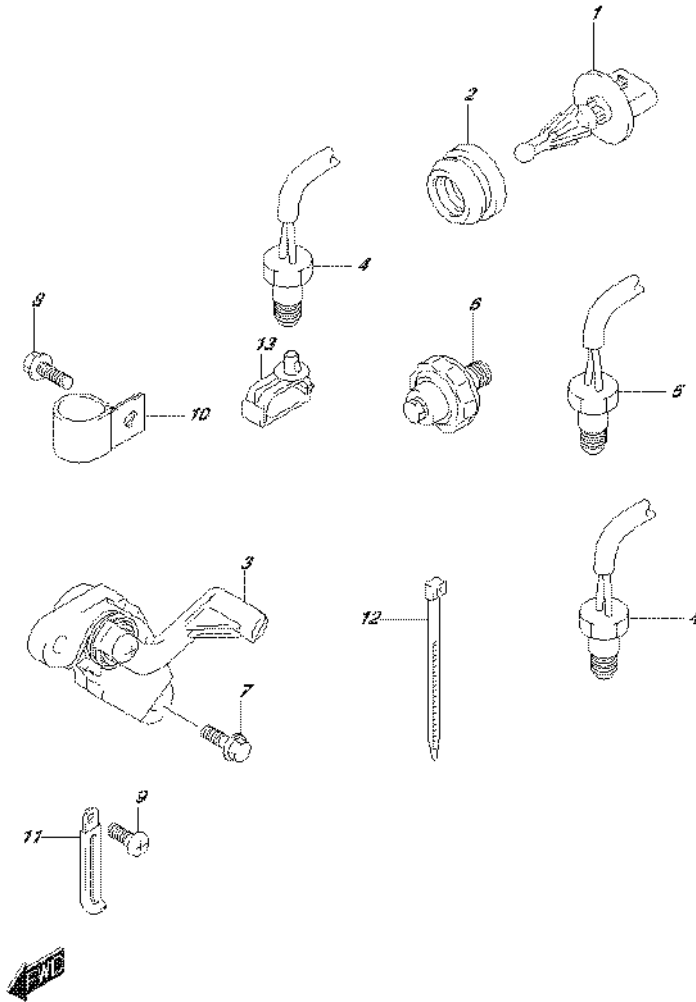


FIG.315L (2-G-6) SENSOR (DF250Z E01)

REF NO.	PART NO.	DESCRIPTION	Q'TY	REMARKS
1	13650-52G00	SENSOR, INLET AIR TEMP	1	
2	13655-87J00	GROMMET, AIR TEMP SENSOR	1	
3	34801-93J03	SENDER ASSY, TRIM	1	
4	34830-87J20	SENSOR ASSY, EXHAUST TEMP	2	
5	34830-87J20	SENSOR ASSY, CYLINDER TEMP	1	
6	37820-99E01	SWITCH ASSY, OIL PRESSURE	1	
7	09100-06113	BOLT (6X16)	2	
8	29103-93J00	BOLT, TRIM SENDER CLAMP	1	
9	09125-06063	SCREW (6X10)	1	
10	09403-19409	CLAMP	1	
11	29404-93J10	CLAMP, TRIM SENDER	1	
12	09407-14407	CLAMP (L:145)	2	
13	09403-07340	CLAMP	1	

FIG.315M

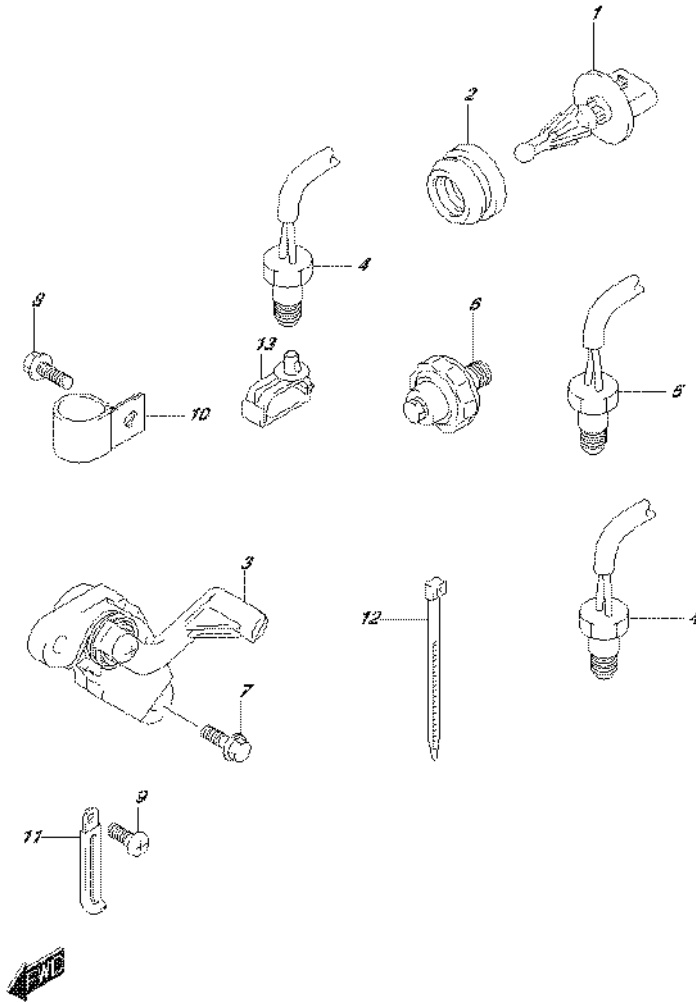
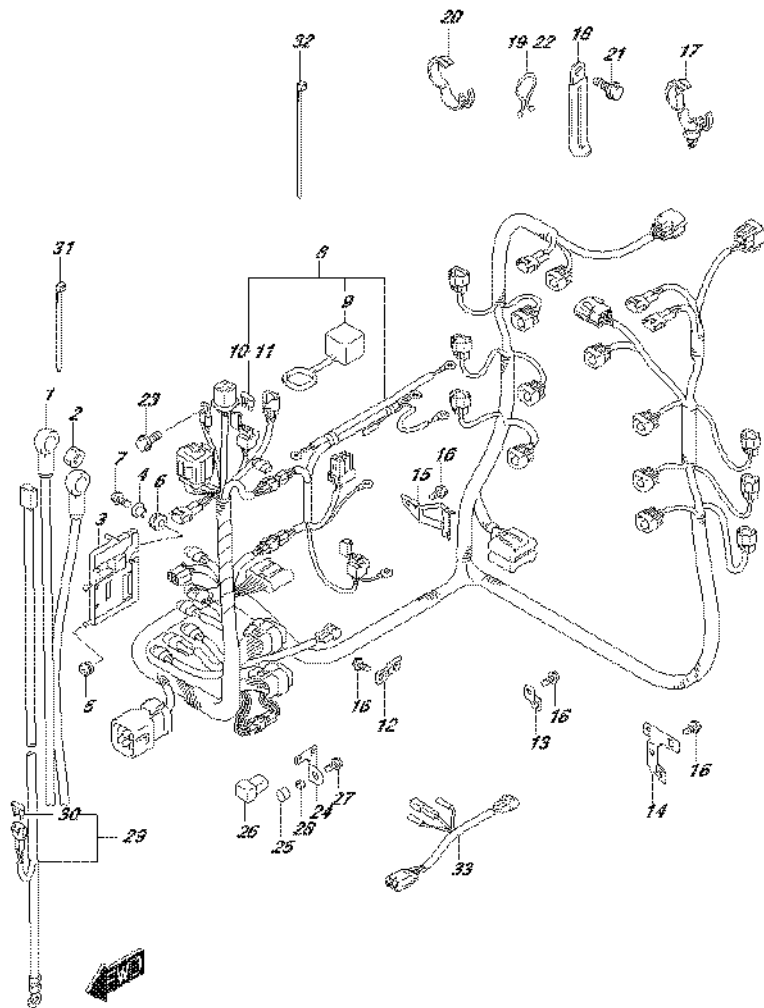


FIG.315M (2-G-7) SENSOR (DF250Z E40)

REF NO.	PART NO.	DESCRIPTION	Q'TY	REMARKS
1	13650-52G00	SENSOR, INLET AIR TEMP	1	
2	13655-87J00	GROMMET, AIR TEMP SENSOR	1	
3	34801-93J03	SENDER ASSY, TRIM	1	
4	34830-87J20	SENSOR ASSY, EXHAUST TEMP	2	
5	34830-87J20	SENSOR ASSY, CYLINDER TEMP	1	
6	37820-99E01	SWITCH ASSY, OIL PRESSURE	1	
7	09100-06113	BOLT (6X16)	2	
8	29103-93J00	BOLT, TRIM SENDER CLAMP	1	
9	09125-06063	SCREW (6X10)	1	
10	09403-19409	CLAMP	1	
11	29404-93J10	CLAMP, TRIM SENDER	1	
12	09407-14407	CLAMP (L:145)	2	
13	09403-07340	CLAMP	1	

FIG.322A



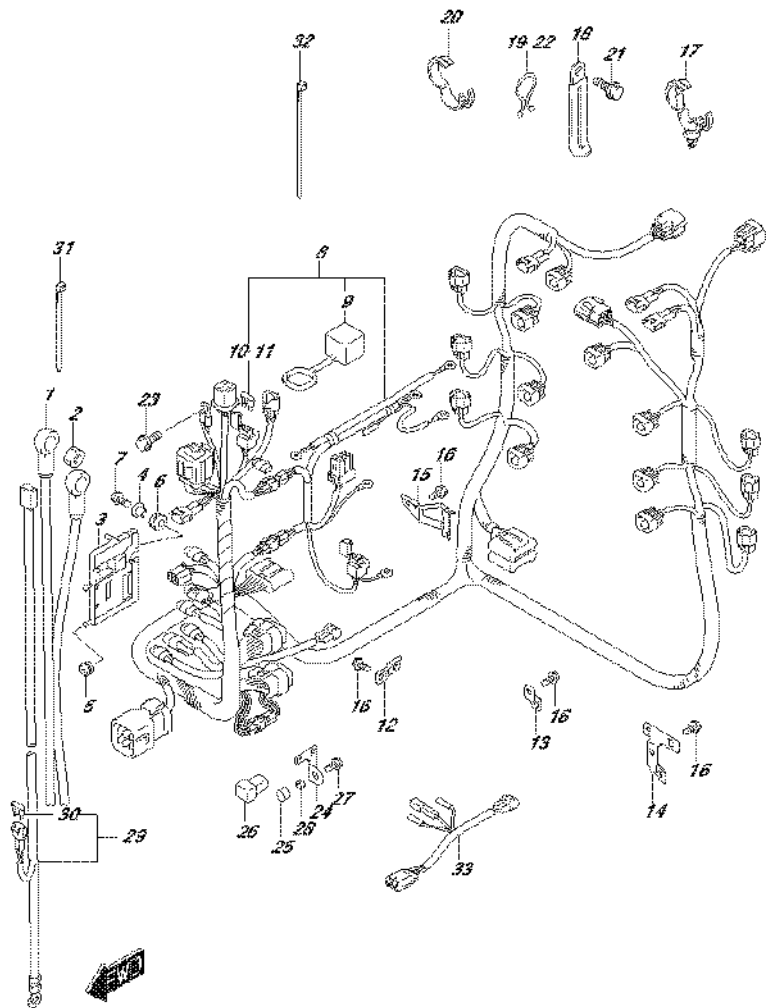
DF250_E01_016_322A
HARNESS

FIG.322A (2-G-8) HARNESS (DF200T E01)

REF NO.	PART NO.	DESCRIPTION	Q'TY	REMARKS
1	33810-98J00	CABLE, STARTER MOTOR	1	L:4000
2	08316-10087	NUT	1	
3	36616-93J01	HOLDER, CONNECTOR	1	
4	09169-06062	WASHER	1	
5	09320-04009	BUSH	2	
6	09320-09016	CUSHION	1	
7	01550-06257	BOLT	1	
8	36630-93J10	HARNESS ASSY, WIRING	1	
9	33634-96J00	.CAP, SERVICE CONNECTOR	1	
10	09481-15501	.FUSE (15A)	1	
11	09481-30501	.FUSE (30A)	1	
12	36617-93J00	BRACKET, HARNESS	3	
13	36617-93J10	BRACKET, HARNESS	5	
14	36617-93J20	BRACKET, HARNESS	1	
15	36617-93J30	BRACKET, HARNESS	1	
16	01550-06127	BOLT	11	
17	09403-20308	CLAMP	1	
18	29404-93J10	CLAMP, HARNESS	1	
19	09408-00008	CLIP (ID:20)	1	
20	09408-00184	CLAMP	3	
21	01550-06127	BOLT	1	
22	09408-00008	CLIP (ID:20)	1	
23	01550-06127	BOLT	1	
24	36865-90J00	TERMINAL, MAIN FUSE	2	
25	09251-09002	CAP (OD:13.6)	2	
26	09481-60401	FUSE (60A)	2	
27	01570-06127	BOLT	2	
28	08310-00067	NUT	2	

DF250_E01_016

FIG.322A



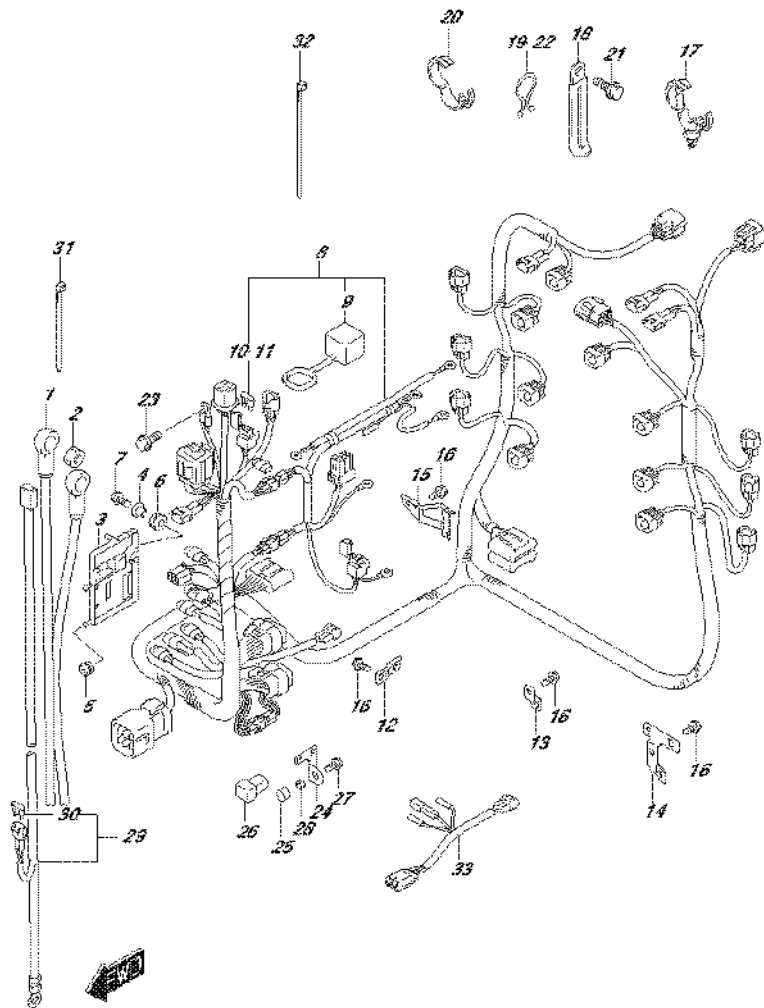
DF250_E01_016_322A
HARNES

FIG.322A (2-G-9) HARNESS (DF200T E01)

REF NO.	PART NO.	DESCRIPTION	Q'TY	REMARKS
29-1	36625-93J10	LEAD, BATTERY	1	OPT L:6700
29-2	36625-93J00	LEAD, BATTERY	1	
30	09481-15501	.FUSE (15A)	1	
31	09407-10404	CLAMP (L:100)	2	
32	09407-14407	CLAMP (L:145)	1	
33	36647-93J00	LEAD, AUX PTT SWITCH	1	OPT

DF250_E01_016

FIG.322B



DF250_E01_016_322B
HARNESS

FIG.322B (2-G-10) HARNESS (DF200T E40)

REF NO.	PART NO.	DESCRIPTION	Q'TY	REMARKS
1	33810-98J00	CABLE, STARTER MOTOR	1	L:4000
2	08316-10087	NUT	1	
3	36616-93J01	HOLDER, CONNECTOR	1	
4	09169-06062	WASHER	1	
5	09320-04009	BUSH	2	
6	09320-09016	CUSHION	1	
7	01550-06257	BOLT	1	
8	36630-93J10	HARNESS ASSY, WIRING	1	
9	33634-96J00	.CAP, SERVICE CONNECTOR	1	
10	09481-15501	.FUSE (15A)	1	
11	09481-30501	.FUSE (30A)	1	
12	36617-93J00	BRACKET, HARNESS	3	
13	36617-93J10	BRACKET, HARNESS	5	
14	36617-93J20	BRACKET, HARNESS	1	
15	36617-93J30	BRACKET, HARNESS	1	
16	01550-06127	BOLT	11	
17	09403-20308	CLAMP	1	
18	29404-93J10	CLAMP, HARNESS	1	
19	09408-00008	CLIP (ID:20)	1	
20	09408-00184	CLAMP	3	
21	01550-06127	BOLT	1	
22	09408-00008	CLIP (ID:20)	1	
23	01550-06127	BOLT	1	
24	36865-90J00	TERMINAL, MAIN FUSE	2	
25	09251-09002	CAP (OD:13.6)	2	
26	09481-60401	FUSE (60A)	2	
27	01570-06127	BOLT	2	
28	08310-00067	NUT	2	

DF250_E01_016

FIG.322B

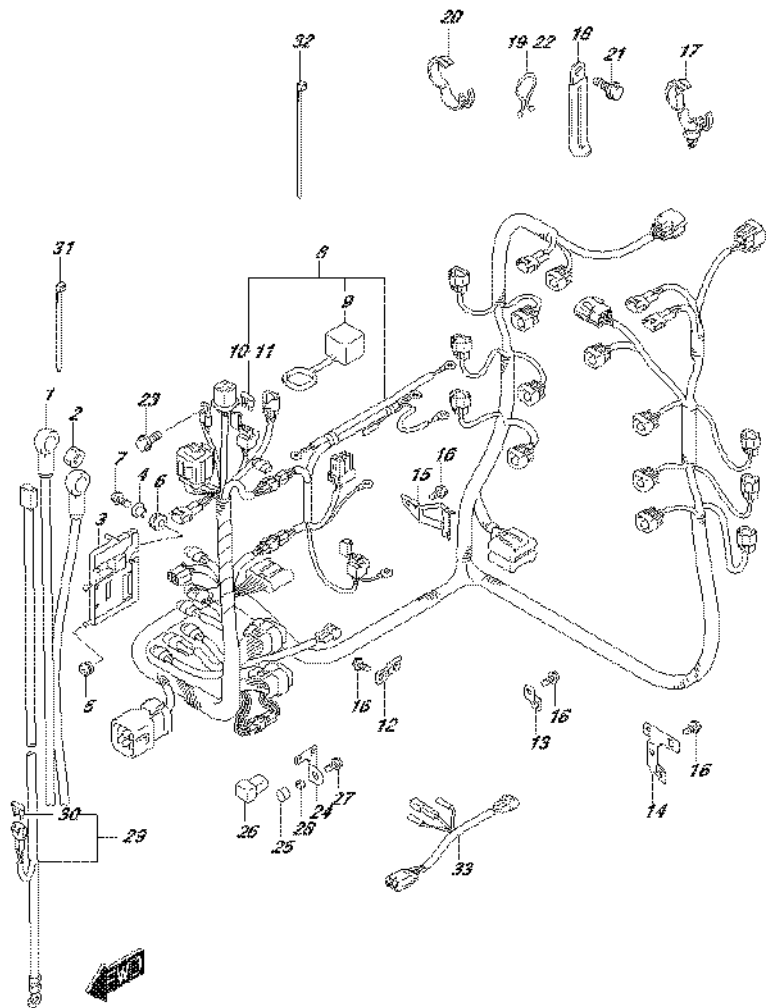
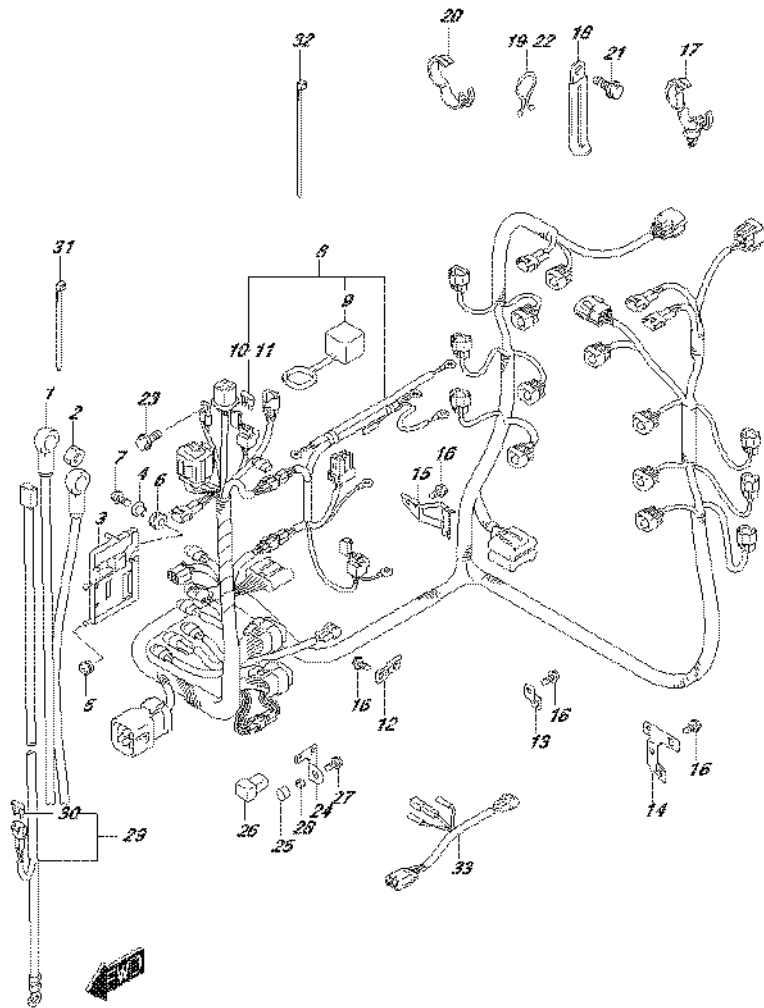


FIG.322B (2-G-11) HARNESS (DF200T E40)

REF NO.	PART NO.	DESCRIPTION	Q'TY	REMARKS
29-1	36625-93J10	LEAD, BATTERY	1	OPT L:6700
29-2	36625-93J00	LEAD, BATTERY	1	
30	09481-15501	.FUSE (15A)	1	
31	09407-10404	CLAMP (L:100)	2	
32	09407-14407	CLAMP (L:145)	1	
33	36647-93J00	LEAD, AUX PTT SWITCH	1	OPT

FIG.322C



DF250_E01_016_322C
HARNESS

FIG.322C (2-G-12) HARNESS (DF200Z E01)

REF NO.	PART NO.	DESCRIPTION	Q'TY	REMARKS
1	33810-98J00	CABLE, STARTER MOTOR	1	L:4000
2	08316-10087	NUT	1	
3	36616-93J01	HOLDER, CONNECTOR	1	
4	09169-06062	WASHER	1	
5	09320-04009	BUSH	2	
6	09320-09016	CUSHION	1	
7	01550-06257	BOLT	1	
8	36630-93J10	HARNESS ASSY, WIRING	1	
9	33634-96J00	.CAP, SERVICE CONNECTOR	1	
10	09481-15501	.FUSE (15A)	1	
11	09481-30501	.FUSE (30A)	1	
12	36617-93J00	BRACKET, HARNESS	3	
13	36617-93J10	BRACKET, HARNESS	5	
14	36617-93J20	BRACKET, HARNESS	1	
15	36617-93J30	BRACKET, HARNESS	1	
16	01550-06127	BOLT	11	
17	09403-20308	CLAMP	1	
18	29404-93J10	CLAMP, HARNESS	1	
19	09408-00008	CLIP (ID:20)	1	
20	09408-00184	CLAMP	3	
21	01550-06127	BOLT	1	
22	09408-00008	CLIP (ID:20)	1	
23	01550-06127	BOLT	1	
24	36865-90J00	TERMINAL, MAIN FUSE	2	
25	09251-09002	CAP (OD:13.6)	2	
26	09481-60401	FUSE (60A)	2	
27	01570-06127	BOLT	2	
28	08310-00067	NUT	2	

DF250_E01_016

FIG.322C

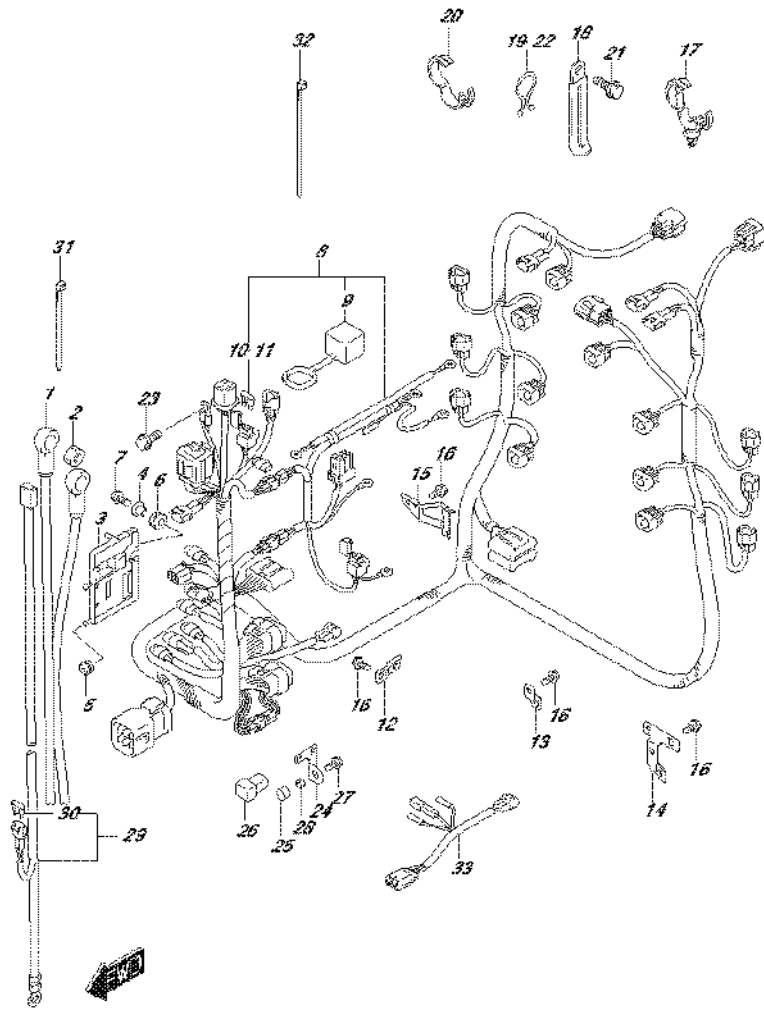
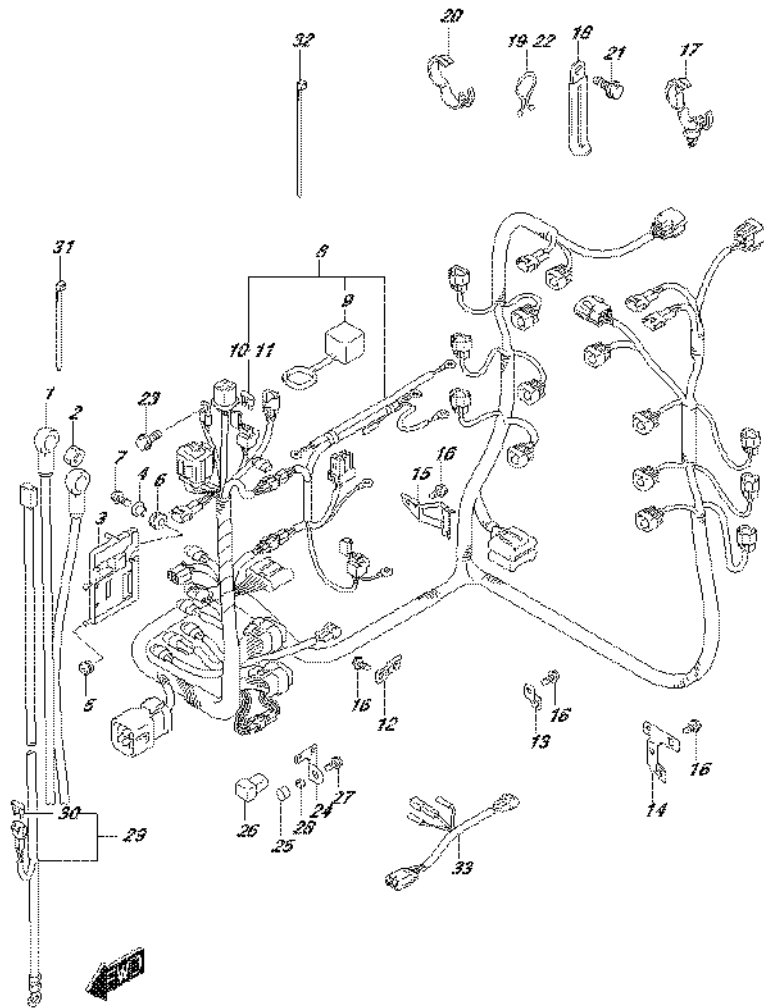


FIG.322C (2-G-13) HARNESS (DF200Z E01)

REF NO.	PART NO.	DESCRIPTION	Q'TY	REMARKS
29-1	36625-93J10	LEAD, BATTERY	1	OPT L:6700
29-2	36625-93J00	LEAD, BATTERY	1	
30	09481-15501	.FUSE (15A)	1	
31	09407-10404	CLAMP (L:100)	2	
32	09407-14407	CLAMP (L:145)	1	
33	36647-93J00	LEAD, AUX PTT SWITCH	1	OPT

FIG.322D



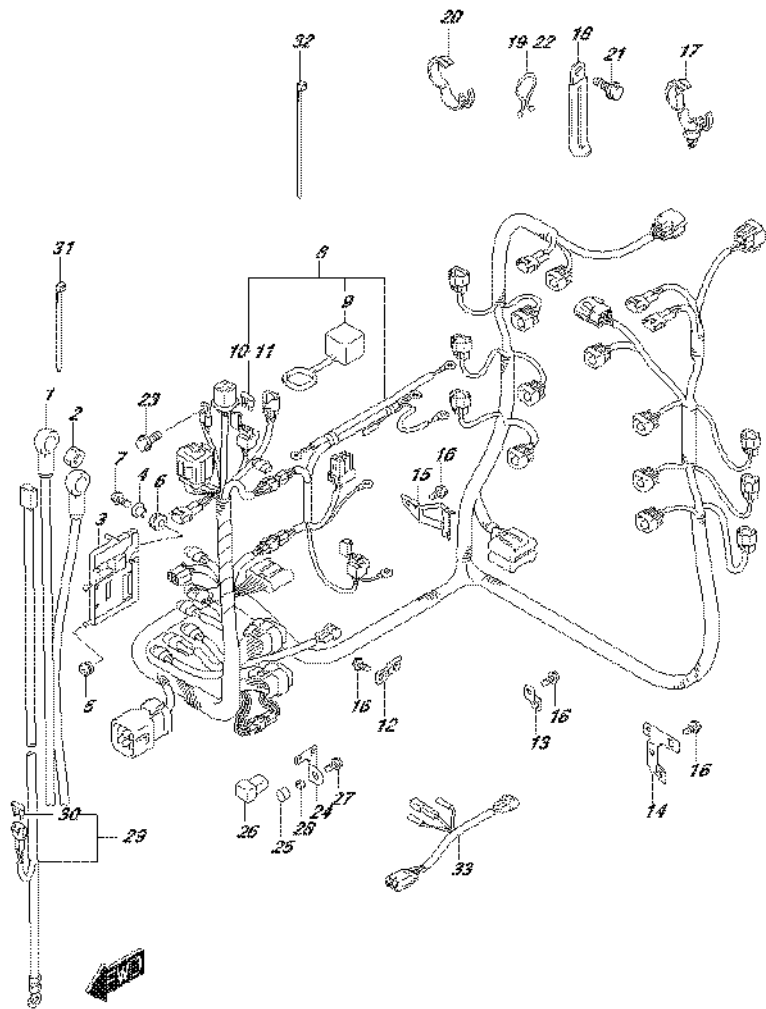
DF250_E01_016_322D
HARNESS

FIG.322D (2-G-14) HARNESS (DF200Z E40)

REF NO.	PART NO.	DESCRIPTION	Q'TY	REMARKS
1	33810-98J00	CABLE, STARTER MOTOR	1	L:4000
2	08316-10087	NUT	1	
3	36616-93J01	HOLDER, CONNECTOR	1	
4	09169-06062	WASHER	1	
5	09320-04009	BUSH	2	
6	09320-09016	CUSHION	1	
7	01550-06257	BOLT	1	
8	36630-93J10	HARNESS ASSY, WIRING	1	
9	33634-96J00	.CAP, SERVICE CONNECTOR	1	
10	09481-15501	.FUSE (15A)	1	
11	09481-30501	.FUSE (30A)	1	
12	36617-93J00	BRACKET, HARNESS	3	
13	36617-93J10	BRACKET, HARNESS	5	
14	36617-93J20	BRACKET, HARNESS	1	
15	36617-93J30	BRACKET, HARNESS	1	
16	01550-06127	BOLT	11	
17	09403-20308	CLAMP	1	
18	29404-93J10	CLAMP, HARNESS	1	
19	09408-00008	CLIP (ID:20)	1	
20	09408-00184	CLAMP	3	
21	01550-06127	BOLT	1	
22	09408-00008	CLIP (ID:20)	1	
23	01550-06127	BOLT	1	
24	36865-90J00	TERMINAL, MAIN FUSE	2	
25	09251-09002	CAP (OD:13.6)	2	
26	09481-60401	FUSE (60A)	2	
27	01570-06127	BOLT	2	
28	08310-00067	NUT	2	

DF250_E01_016

FIG.322D



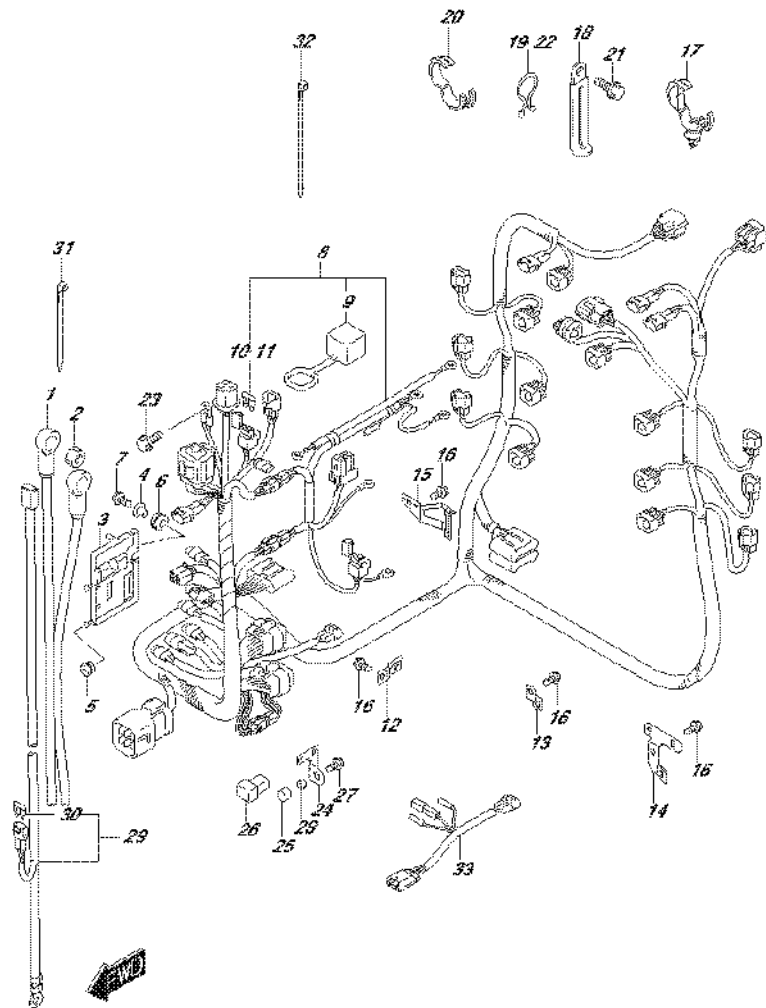
DF250_E01_016_322D
HARNES

FIG.322D (2-G-15) HARNESS (DF200Z E40)

REF NO.	PART NO.	DESCRIPTION	Q'TY	REMARKS
29-1	36625-93J10	LEAD, BATTERY	1	OPT L:6700
29-2	36625-93J00	LEAD, BATTERY	1	
30	09481-15501	.FUSE (15A)	1	
31	09407-10404	CLAMP (L:100)	2	
32	09407-14407	CLAMP (L:145)	1	
33	36647-93J00	LEAD, AUX PTT SWITCH	1	OPT

DF250_E01_016

FIG.322E



DF250_E01_016_322E
HARNES

FIG.322E (2-H-2) HARNESS (DF225T E01)

REF NO.	PART NO.	DESCRIPTION	Q'TY	REMARKS
1	33810-98J00	CABLE, STARTER MOTOR	1	L:4000
2	08316-10087	NUT	1	
3	36616-93J01	HOLDER, CONNECTOR	1	
4	09169-06062	WASHER	1	
5	09320-04009	BUSH	2	
6	09320-09016	CUSHION	1	
7	01550-06257	BOLT	1	
8	36630-93J20	HARNESS ASSY, WIRING	1	
9	33634-96J00	.CAP, SERVICE CONNECTOR	1	
10	09481-15501	.FUSE (15A)	1	
11	09481-30501	.FUSE (30A)	1	
12	36617-93J00	BRACKET, HARNESS	3	
13	36617-93J10	BRACKET, HARNESS	5	
14	36617-93J20	BRACKET, HARNESS	1	
15	36617-93J30	BRACKET, HARNESS	1	
16	01550-06127	BOLT	11	
17	09403-20308	CLAMP	1	
18	29404-93J10	CLAMP, HARNESS	1	
19	09408-00008	CLIP (ID:20)	1	
20	09408-00184	CLAMP	3	
21	01550-06127	BOLT	1	
22	09408-00008	CLIP (ID:20)	1	
23	01550-06127	BOLT	1	
24	36865-90J00	TERMINAL, MAIN FUSE	2	
25	09251-09002	CAP (OD:13.6)	2	
26	09481-60401	FUSE (60A)	2	
27	01570-06127	BOLT	2	
28	08310-00067	NUT	2	

DF250_E01_016

FIG.322E

FIG.322E (2-H-3) HARNESS (DF225T E01)

REF NO.	PART NO.	DESCRIPTION	Q'TY	REMARKS
29-1	36625-93J10	LEAD, BATTERY	1	OPT L:6700
29-2	36625-93J00	LEAD, BATTERY	1	
30	09481-15501	.FUSE (15A)	1	
31	09407-10404	CLAMP (L:100)	2	
32	09407-14407	CLAMP (L:145)	1	
33	36647-93J00	LEAD, AUX PTT SWITCH	1	OPT

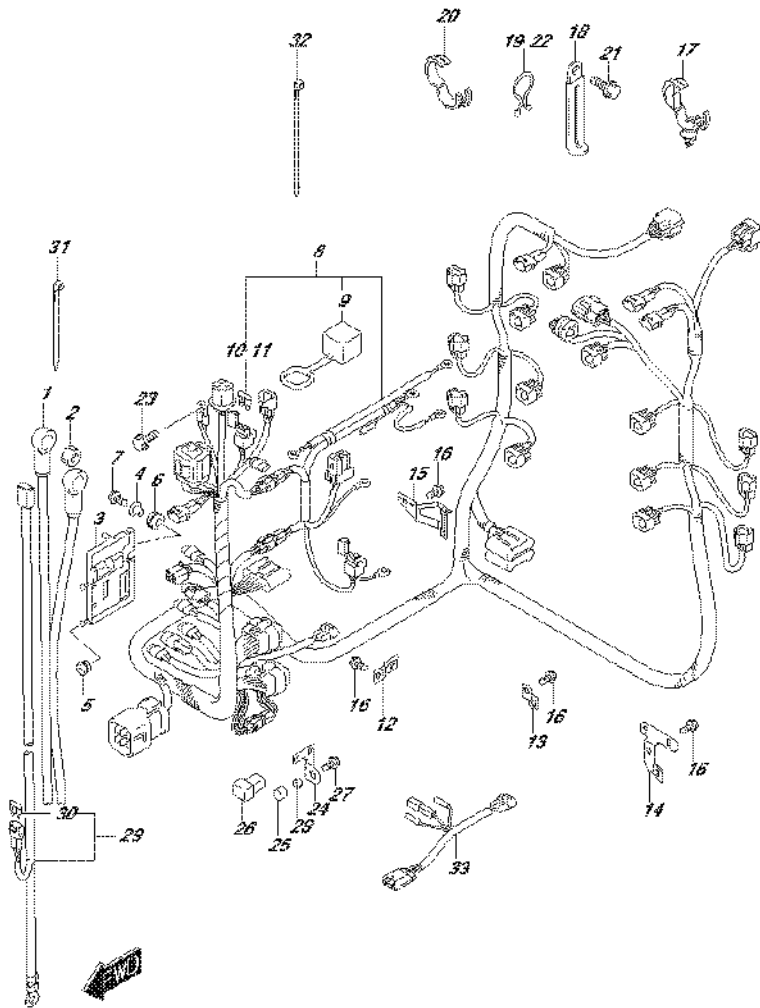
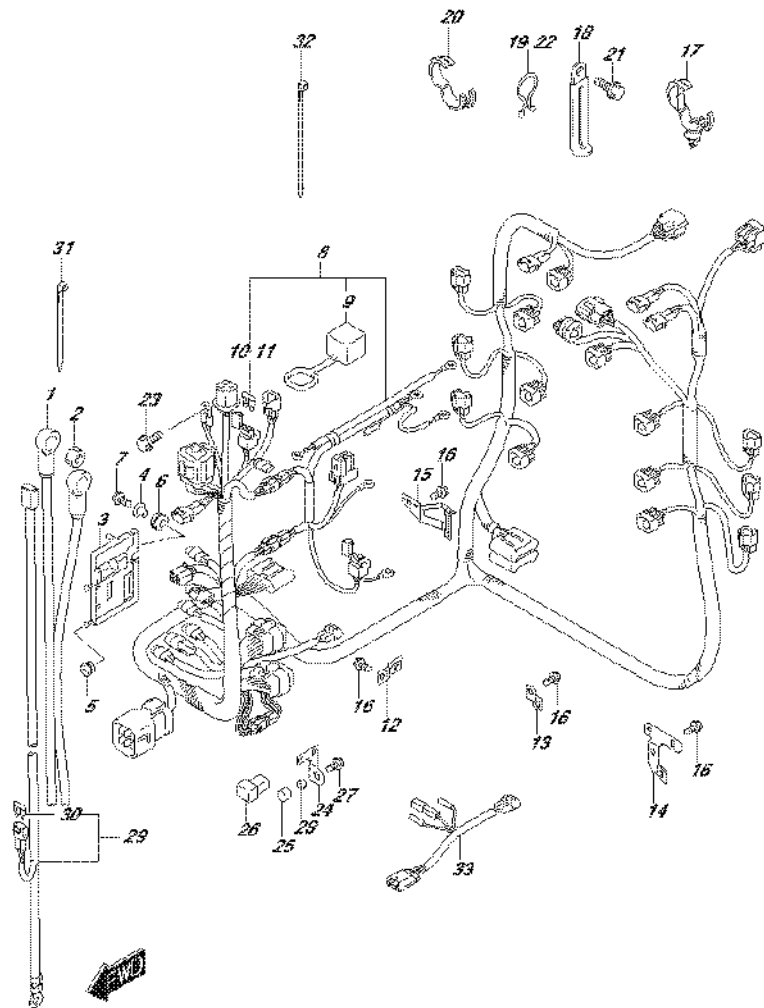


FIG.322F



DF250_E01_016_322F
HARNASS

FIG.322F (2-H-4) HARNASS (DF225T E40)

REF NO.	PART NO.	DESCRIPTION	Q'TY	REMARKS
1	33810-98J00	CABLE, STARTER MOTOR	1	L:4000
2	08316-10087	NUT	1	
3	36616-93J01	HOLDER, CONNECTOR	1	
4	09169-06062	WASHER	1	
5	09320-04009	BUSH	2	
6	09320-09016	CUSHION	1	
7	01550-06257	BOLT	1	
8	36630-93J20	HARNASS ASSY, WIRING	1	
9	33634-96J00	.CAP, SERVICE CONNECTOR	1	
10	09481-15501	.FUSE (15A)	1	
11	09481-30501	.FUSE (30A)	1	
12	36617-93J00	BRACKET, HARNASS	3	
13	36617-93J10	BRACKET, HARNASS	5	
14	36617-93J20	BRACKET, HARNASS	1	
15	36617-93J30	BRACKET, HARNASS	1	
16	01550-06127	BOLT	11	
17	09403-20308	CLAMP	1	
18	29404-93J10	CLAMP, HARNASS	1	
19	09408-00008	CLIP (ID:20)	1	
20	09408-00184	CLAMP	3	
21	01550-06127	BOLT	1	
22	09408-00008	CLIP (ID:20)	1	
23	01550-06127	BOLT	1	
24	36865-90J00	TERMINAL, MAIN FUSE	2	
25	09251-09002	CAP (OD:13.6)	2	
26	09481-60401	FUSE (60A)	2	
27	01570-06127	BOLT	2	
28	08310-00067	NUT	2	

DF250_E01_016

FIG.322F

FIG.322F (2-H-5) HARNESS (DF225T E40)

REF NO.	PART NO.	DESCRIPTION	Q'TY	REMARKS
29-1	36625-93J10	LEAD, BATTERY	1	OPT L:6700
29-2	36625-93J00	LEAD, BATTERY	1	
30	09481-15501	.FUSE (15A)	1	
31	09407-10404	CLAMP (L:100)	2	
32	09407-14407	CLAMP (L:145)	1	
33	36647-93J00	LEAD, AUX PTT SWITCH	1	OPT

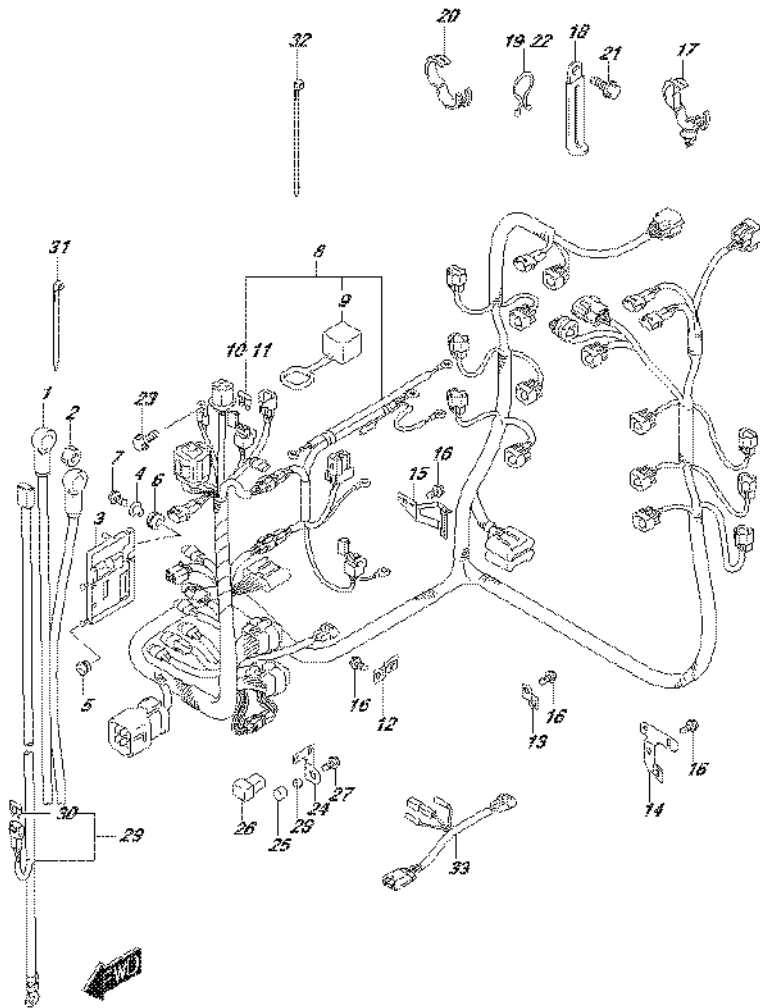
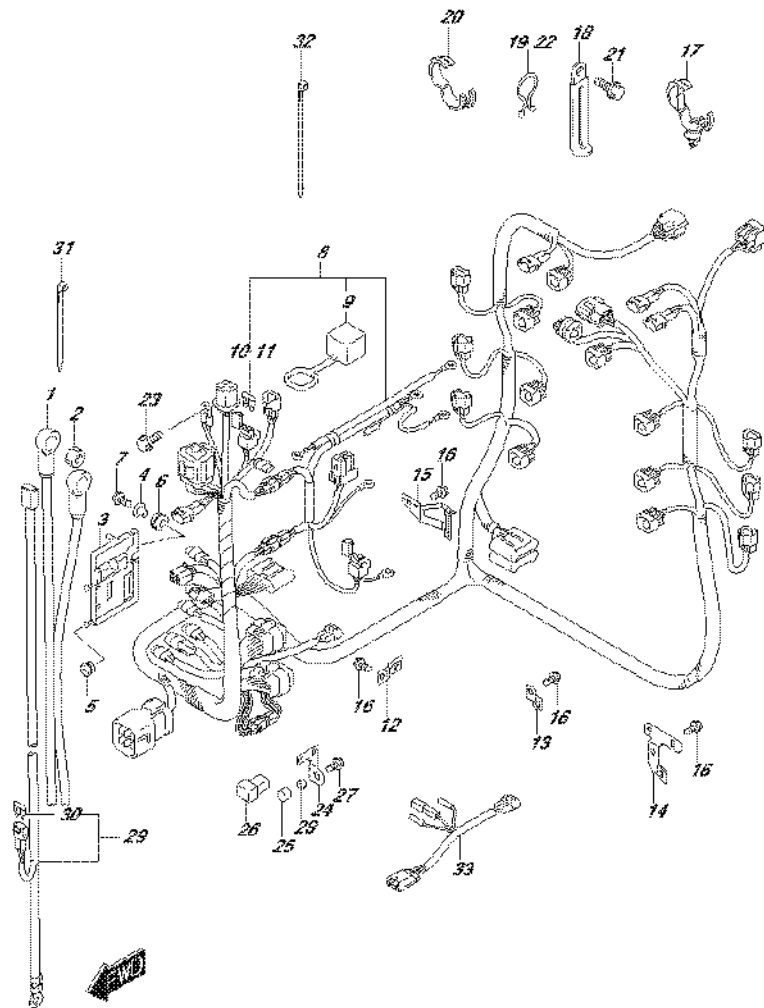


FIG.322G



DF225Z_E01_016_322G
HARNES

FIG.322G (2-H-6) HARNESS (DF225Z E01)

REF NO.	PART NO.	DESCRIPTION	Q'TY	REMARKS
1	33810-98J00	CABLE, STARTER MOTOR	1	L:4000
2	08316-10087	NUT	1	
3	36616-93J01	HOLDER, CONNECTOR	1	
4	09169-06062	WASHER	1	
5	09320-04009	BUSH	2	
6	09320-09016	CUSHION	1	
7	01550-06257	BOLT	1	
8	36630-93J20	HARNESS ASSY, WIRING	1	
9	33634-96J00	.CAP, SERVICE CONNECTOR	1	
10	09481-15501	.FUSE (15A)	1	
11	09481-30501	.FUSE (30A)	1	
12	36617-93J00	BRACKET, HARNESS	3	
13	36617-93J10	BRACKET, HARNESS	5	
14	36617-93J20	BRACKET, HARNESS	1	
15	36617-93J30	BRACKET, HARNESS	1	
16	01550-06127	BOLT	11	
17	09403-20308	CLAMP	1	
18	29404-93J10	CLAMP, HARNESS	1	
19	09408-00008	CLIP (ID:20)	1	
20	09408-00184	CLAMP	3	
21	01550-06127	BOLT	1	
22	09408-00008	CLIP (ID:20)	1	
23	01550-06127	BOLT	1	
24	36865-90J00	TERMINAL, MAIN FUSE	2	
25	09251-09002	CAP (OD:13.6)	2	
26	09481-60401	FUSE (60A)	2	
27	01570-06127	BOLT	2	
28	08310-00067	NUT	2	

DF250_E01_016

FIG.322G

FIG.322G (2-H-7) HARNESS (DF225Z E01)

REF NO.	PART NO.	DESCRIPTION	Q'TY	REMARKS
29-1	36625-93J10	LEAD, BATTERY	1	OPT L:6700
29-2	36625-93J00	LEAD, BATTERY	1	
30	09481-15501	.FUSE (15A)	1	
31	09407-10404	CLAMP (L:100)	2	
32	09407-14407	CLAMP (L:145)	1	
33	36647-93J00	LEAD, AUX PTT SWITCH	1	OPT

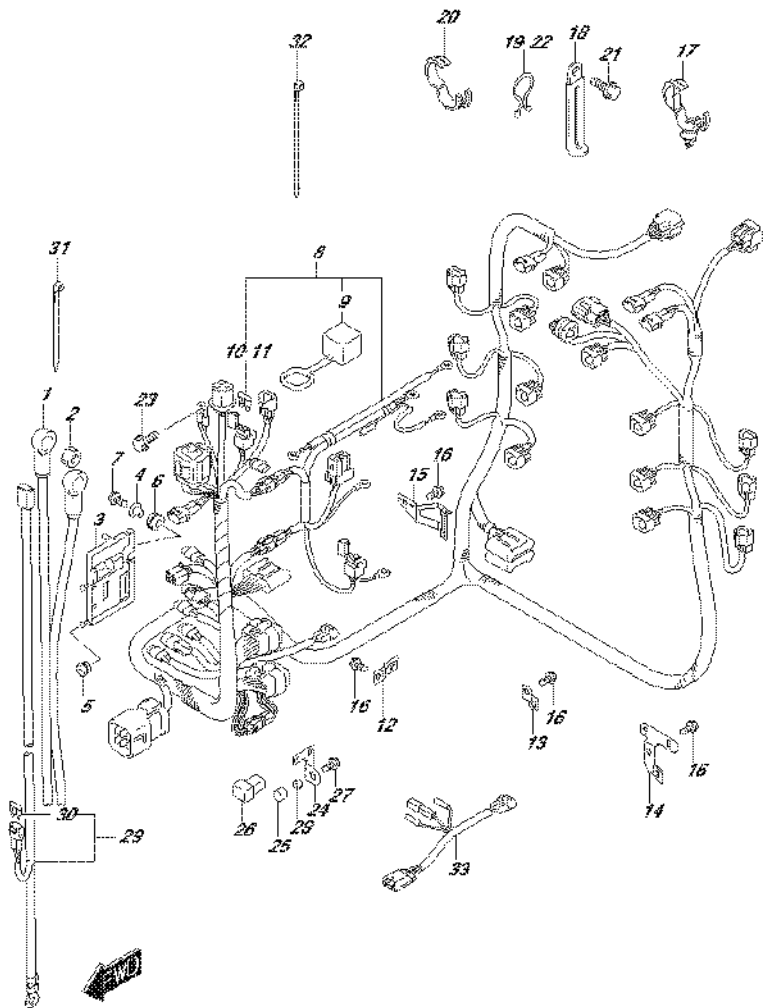


FIG.322H

FIG.322H (2-H-8) HARNESS (DF225Z E40)

REF NO.	PART NO.	DESCRIPTION	Q'TY	REMARKS
1	33810-98J00	CABLE, STARTER MOTOR	1	L:4000
2	08316-10087	NUT	1	
3	36616-93J01	HOLDER, CONNECTOR	1	
4	09169-06062	WASHER	1	
5	09320-04009	BUSH	2	
6	09320-09016	CUSHION	1	
7	01550-06257	BOLT	1	
8	36630-93J20	HARNESS ASSY, WIRING	1	
9	33634-96J00	.CAP, SERVICE CONNECTOR	1	
10	09481-15501	.FUSE (15A)	1	
11	09481-30501	.FUSE (30A)	1	
12	36617-93J00	BRACKET, HARNESS	3	
13	36617-93J10	BRACKET, HARNESS	5	
14	36617-93J20	BRACKET, HARNESS	1	
15	36617-93J30	BRACKET, HARNESS	1	
16	01550-06127	BOLT	11	
17	09403-20308	CLAMP	1	
18	29404-93J10	CLAMP, HARNESS	1	
19	09408-00008	CLIP (ID:20)	1	
20	09408-00184	CLAMP	3	
21	01550-06127	BOLT	1	
22	09408-00008	CLIP (ID:20)	1	
23	01550-06127	BOLT	1	
24	36865-90J00	TERMINAL, MAIN FUSE	2	
25	09251-09002	CAP (OD:13.6)	2	
26	09481-60401	FUSE (60A)	2	
27	01570-06127	BOLT	2	
28	08310-00067	NUT	2	

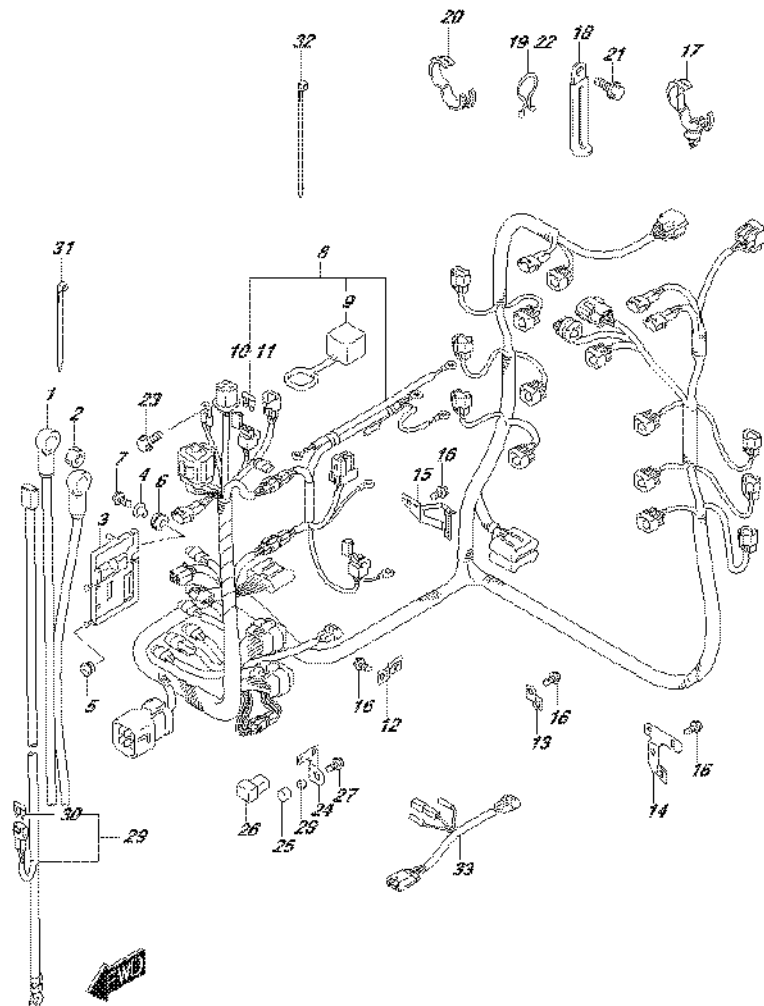


FIG.322H

FIG.322H (2-H-9) HARNESS (DF225Z E40)

REF NO.	PART NO.	DESCRIPTION	Q'TY	REMARKS
29-1	36625-93J10	LEAD, BATTERY	1	OPT L:6700
29-2	36625-93J00	LEAD, BATTERY	1	
30	09481-15501	.FUSE (15A)	1	
31	09407-10404	CLAMP (L:100)	2	
32	09407-14407	CLAMP (L:145)	1	
33	36647-93J00	LEAD, AUX PTT SWITCH	1	OPT

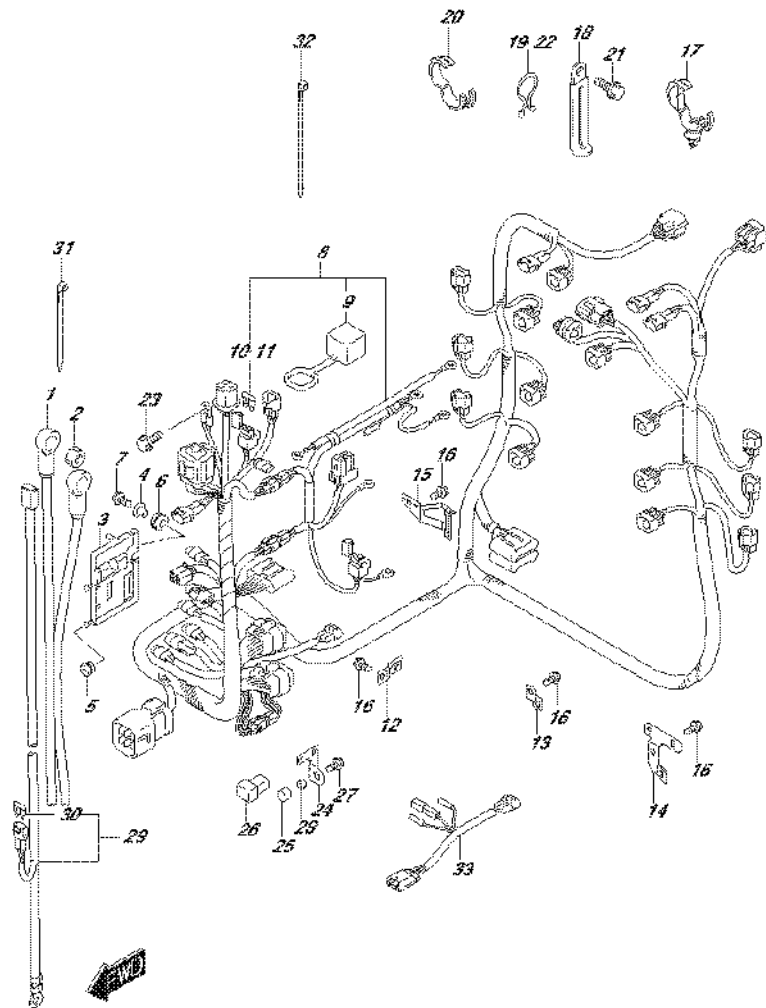
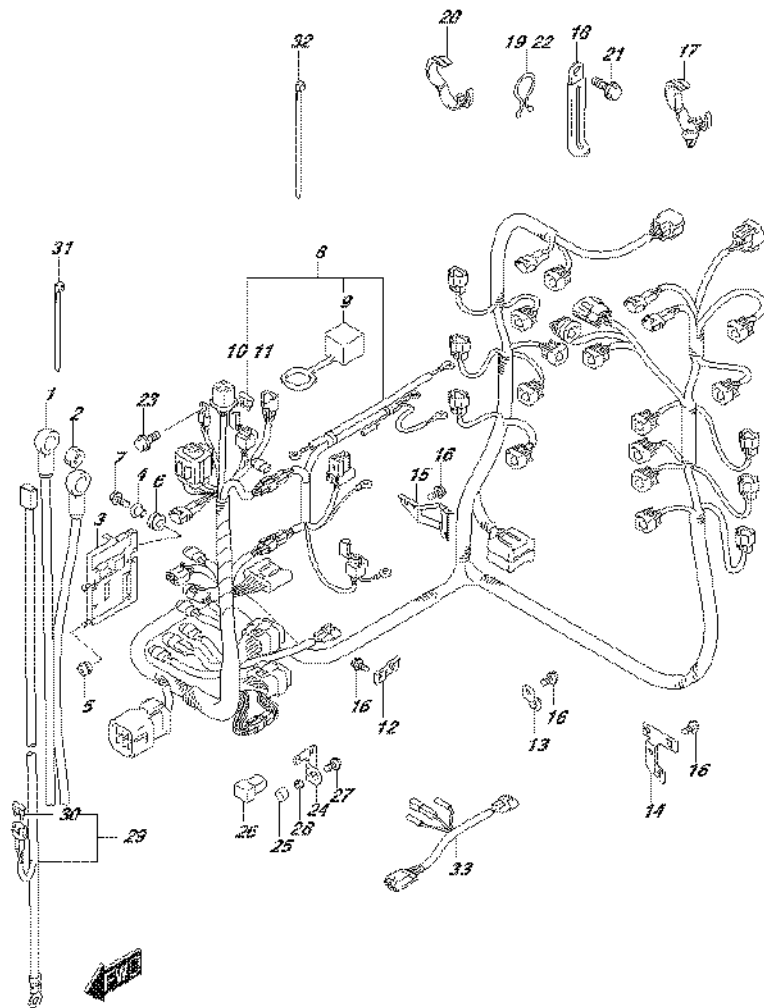


FIG.322J



DF250_E01_016_322J
HARNES

FIG.322J (2-H-10) HARNESS (DF250T E01)

REF NO.	PART NO.	DESCRIPTION	Q'TY	REMARKS
1	33810-98J00	CABLE, STARTER MOTOR	1	L:4000
2	08316-10087	NUT	1	
3	36616-93J01	HOLDER, CONNECTOR	1	
4	09169-06062	WASHER	1	
5	09320-04009	BUSH	2	
6	09320-09016	CUSHION	1	
7	01550-06257	BOLT	1	
8	36630-93J30	HARNESS ASSY, WIRING	1	
9	33634-96J00	.CAP, SERVICE CONNECTOR	1	
10	09481-15501	.FUSE (15A)	1	
11	09481-30501	.FUSE (30A)	1	
12	36617-93J00	BRACKET, HARNESS	3	
13	36617-93J10	BRACKET, HARNESS	5	
14	36617-93J20	BRACKET, HARNESS	1	
15	36617-93J30	BRACKET, HARNESS	1	
16	01550-06127	BOLT	11	
17	09403-20308	CLAMP	1	
18	29404-93J10	CLAMP, HARNESS	1	
19	09408-00008	CLIP (ID:20)	1	
20	09408-00184	CLAMP	3	
21	01550-06127	BOLT	1	
22	09408-00008	CLIP (ID:20)	1	
23	01550-06127	BOLT	1	
24	36865-90J00	TERMINAL, MAIN FUSE	2	
25	09251-09002	CAP (OD:13.6)	2	
26	09481-60401	FUSE (60A)	2	
27	01570-06127	BOLT	2	
28	08310-00067	NUT	2	

DF250_E01_016

FIG.322J

FIG.322J (2-H-11) HARNESS (DF250T E01)

REF NO.	PART NO.	DESCRIPTION	Q'TY	REMARKS
29-1	36625-93J10	LEAD, BATTERY	1	OPT L:6700
29-2	36625-93J00	LEAD, BATTERY	1	
30	09481-15501	.FUSE (15A)	1	
31	09407-10404	CLAMP (L:100)	2	
32	09407-14407	CLAMP (L:145)	1	
33	36647-93J00	LEAD, AUX PTT SWITCH	1	OPT

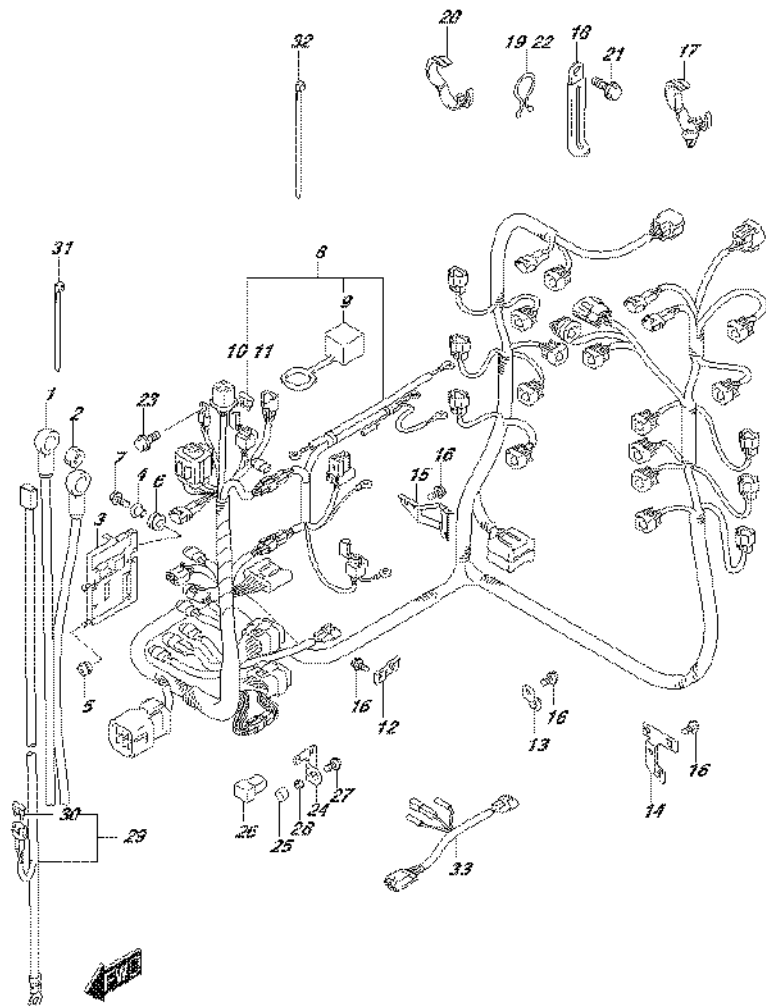
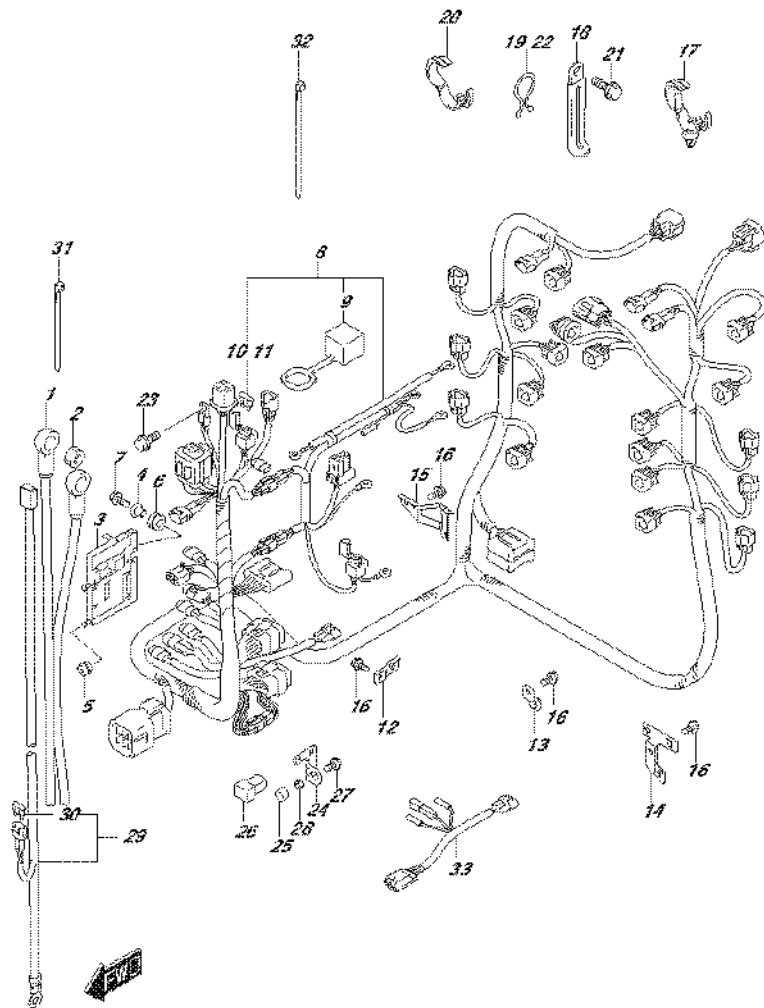


FIG.322K



DF250_E01_016_322K
HARNESS

FIG.322K (2-H-12) HARNESS (DF250T E40)

REF NO.	PART NO.	DESCRIPTION	Q'TY	REMARKS
1	33810-98J00	CABLE, STARTER MOTOR	1	L:4000
2	08316-10087	NUT	1	
3	36616-93J01	HOLDER, CONNECTOR	1	
4	09169-06062	WASHER	1	
5	09320-04009	BUSH	2	
6	09320-09016	CUSHION	1	
7	01550-06257	BOLT	1	
8	36630-93J30	HARNESS ASSY, WIRING	1	
9	33634-96J00	.CAP, SERVICE CONNECTOR	1	
10	09481-15501	.FUSE (15A)	1	
11	09481-30501	.FUSE (30A)	1	
12	36617-93J00	BRACKET, HARNESS	3	
13	36617-93J10	BRACKET, HARNESS	5	
14	36617-93J20	BRACKET, HARNESS	1	
15	36617-93J30	BRACKET, HARNESS	1	
16	01550-06127	BOLT	11	
17	09403-20308	CLAMP	1	
18	29404-93J10	CLAMP, HARNESS	1	
19	09408-00008	CLIP (ID:20)	1	
20	09408-00184	CLAMP	3	
21	01550-06127	BOLT	1	
22	09408-00008	CLIP (ID:20)	1	
23	01550-06127	BOLT	1	
24	36865-90J00	TERMINAL, MAIN FUSE	2	
25	09251-09002	CAP (OD:13.6)	2	
26	09481-60401	FUSE (60A)	2	
27	01570-06127	BOLT	2	
28	08310-00067	NUT	2	

DF250_E01_016

FIG.322K

FIG.322K (2-H-13) HARNESS (DF250T E40)

REF NO.	PART NO.	DESCRIPTION	Q'TY	REMARKS
29-1	36625-93J10	LEAD, BATTERY	1	OPT L:6700
29-2	36625-93J00	LEAD, BATTERY	1	
30	09481-15501	.FUSE (15A)	1	
31	09407-10404	CLAMP (L:100)	2	
32	09407-14407	CLAMP (L:145)	1	
33	36647-93J00	LEAD, AUX PTT SWITCH	1	OPT

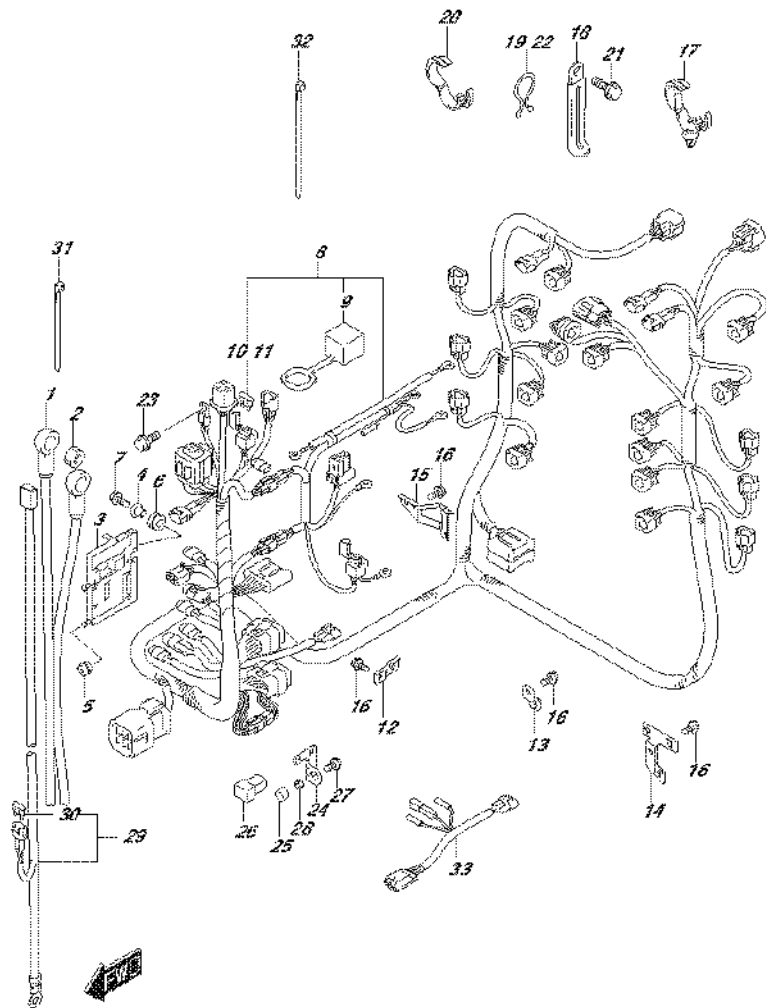
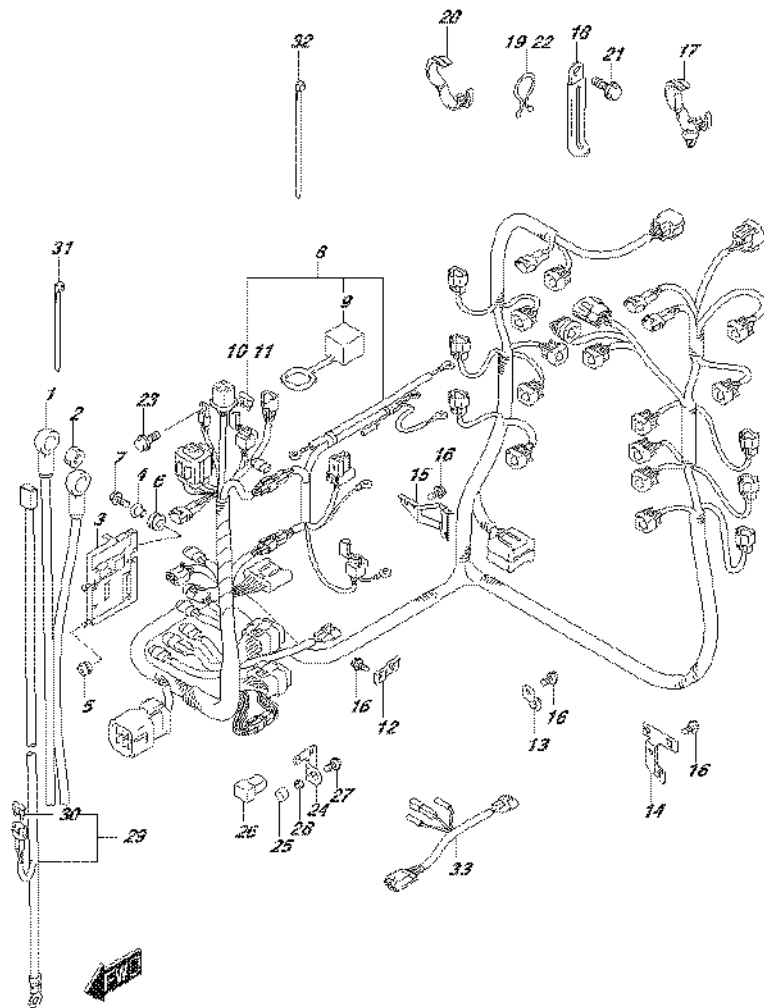


FIG.322L



DF250Z_E01_016_322L
HARNESS

FIG.322L (2-H-14) HARNESS (DF250Z E01)

REF NO.	PART NO.	DESCRIPTION	Q'TY	REMARKS
1	33810-98J00	CABLE, STARTER MOTOR	1	L:4000
2	08316-10087	NUT	1	
3	36616-93J01	HOLDER, CONNECTOR	1	
4	09169-06062	WASHER	1	
5	09320-04009	BUSH	2	
6	09320-09016	CUSHION	1	
7	01550-06257	BOLT	1	
8	36630-93J30	HARNESS ASSY, WIRING	1	
9	33634-96J00	.CAP, SERVICE CONNECTOR	1	
10	09481-15501	.FUSE (15A)	1	
11	09481-30501	.FUSE (30A)	1	
12	36617-93J00	BRACKET, HARNESS	3	
13	36617-93J10	BRACKET, HARNESS	5	
14	36617-93J20	BRACKET, HARNESS	1	
15	36617-93J30	BRACKET, HARNESS	1	
16	01550-06127	BOLT	11	
17	09403-20308	CLAMP	1	
18	29404-93J10	CLAMP, HARNESS	1	
19	09408-00008	CLIP (ID:20)	1	
20	09408-00184	CLAMP	3	
21	01550-06127	BOLT	1	
22	09408-00008	CLIP (ID:20)	1	
23	01550-06127	BOLT	1	
24	36865-90J00	TERMINAL, MAIN FUSE	2	
25	09251-09002	CAP (OD:13.6)	2	
26	09481-60401	FUSE (60A)	2	
27	01570-06127	BOLT	2	
28	08310-00067	NUT	2	

DF250_E01_016

FIG.322L

FIG.322L (2-H-15) HARNESS (DF250Z E01)

REF NO.	PART NO.	DESCRIPTION	Q'TY	REMARKS
29-1	36625-93J10	LEAD, BATTERY	1	OPT L:6700
29-2	36625-93J00	LEAD, BATTERY	1	
30	09481-15501	.FUSE (15A)	1	
31	09407-10404	CLAMP (L:100)	2	
32	09407-14407	CLAMP (L:145)	1	
33	36647-93J00	LEAD, AUX PTT SWITCH	1	OPT

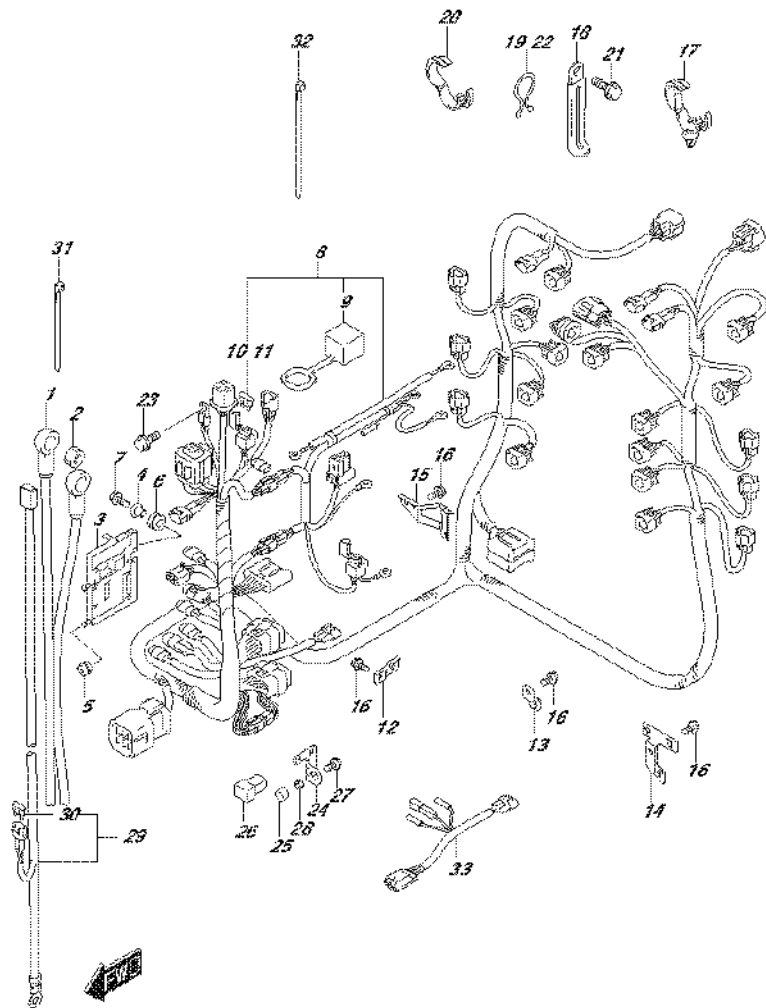


FIG.322M

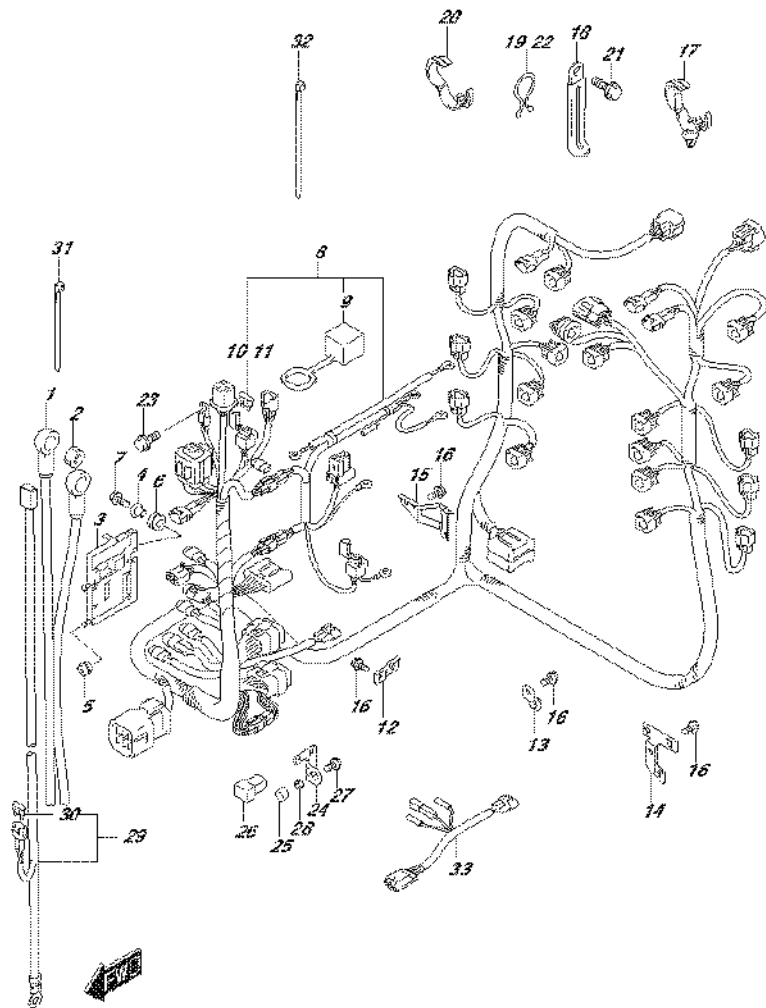


FIG.322M (2-I-2) HARNESS (DF250Z E40)

REF NO.	PART NO.	DESCRIPTION	Q'TY	REMARKS
1	33810-98J00	CABLE, STARTER MOTOR	1	L:4000
2	08316-10087	NUT	1	
3	36616-93J01	HOLDER, CONNECTOR	1	
4	09169-06062	WASHER	1	
5	09320-04009	BUSH	2	
6	09320-09016	CUSHION	1	
7	01550-06257	BOLT	1	
8	36630-93J30	HARNESS ASSY, WIRING	1	
9	33634-96J00	.CAP, SERVICE CONNECTOR	1	
10	09481-15501	.FUSE (15A)	1	
11	09481-30501	.FUSE (30A)	1	
12	36617-93J00	BRACKET, HARNESS	3	
13	36617-93J10	BRACKET, HARNESS	5	
14	36617-93J20	BRACKET, HARNESS	1	
15	36617-93J30	BRACKET, HARNESS	1	
16	01550-06127	BOLT	11	
17	09403-20308	CLAMP	1	
18	29404-93J10	CLAMP, HARNESS	1	
19	09408-00008	CLIP (ID:20)	1	
20	09408-00184	CLAMP	3	
21	01550-06127	BOLT	1	
22	09408-00008	CLIP (ID:20)	1	
23	01550-06127	BOLT	1	
24	36865-90J00	TERMINAL, MAIN FUSE	2	
25	09251-09002	CAP (OD:13.6)	2	
26	09481-60401	FUSE (60A)	2	
27	01570-06127	BOLT	2	
28	08310-00067	NUT	2	

FIG.322M

FIG.322M (2-I-3) HARNESS (DF250Z E40)

REF NO.	PART NO.	DESCRIPTION	Q'TY	REMARKS
29-1	36625-93J10	LEAD, BATTERY	1	OPT L:6700
29-2	36625-93J00	LEAD, BATTERY	1	
30	09481-15501	.FUSE (15A)	1	
31	09407-10404	CLAMP (L:100)	2	
32	09407-14407	CLAMP (L:145)	1	
33	36647-93J00	LEAD, AUX PTT SWITCH	1	OPT

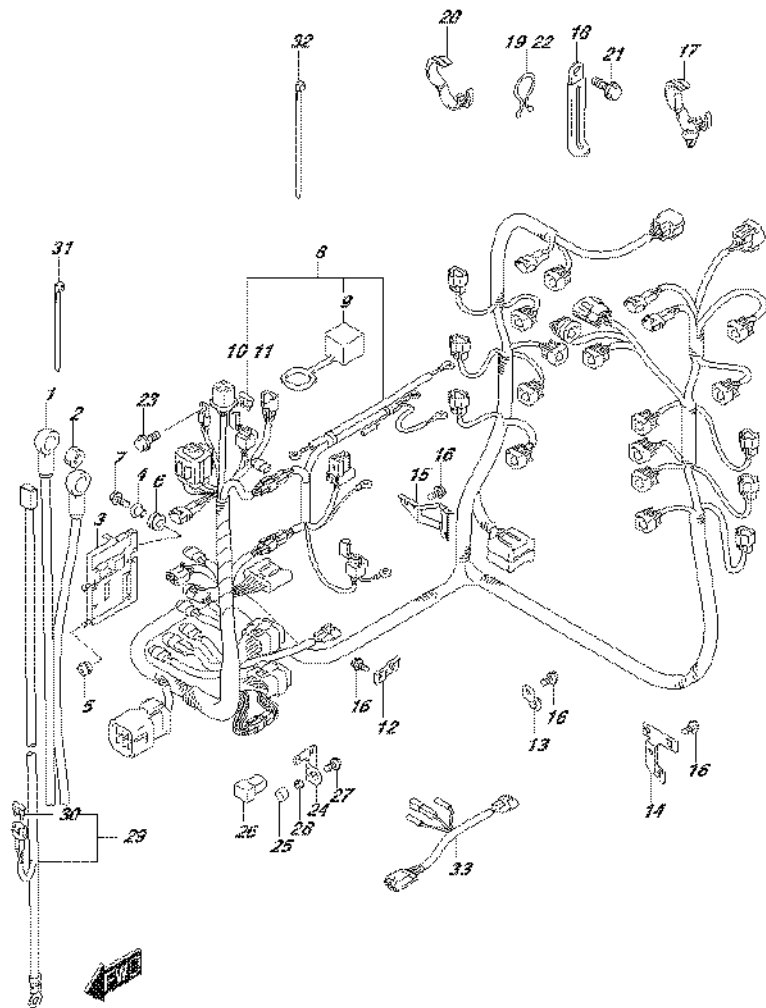


FIG.326A

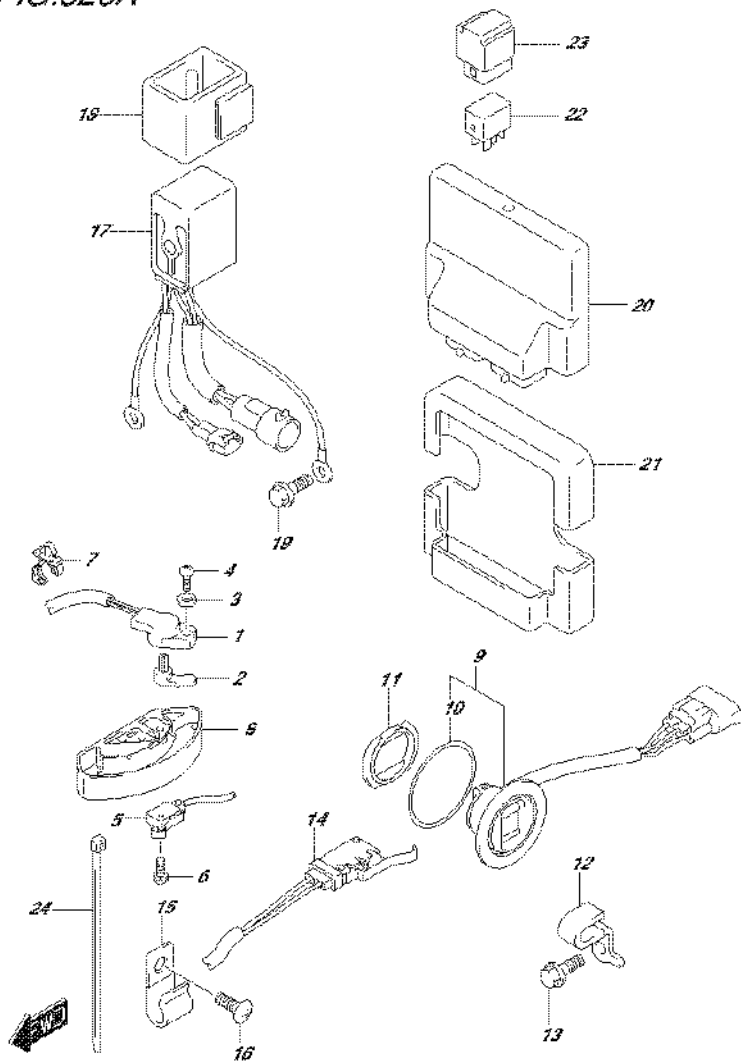


FIG.326A (2-I-4) PTT SWITCH/ENGINE CONTROL UNIT (DF200T E01)

REF NO.	PART NO.	DESCRIPTION	Q'TY	REMARKS
1	13580-93J02	SENSOR ASSY, SHIFT POSITION	1	
2	37729-93J00	LEVER, SHIFT SENSOR	1	
3	09160-05029	WASHER (5.5X12X0.8)	1	
4	02112-35167	SCREW	1	
5	37721-93J00	SWITCH ASSY, NEUTRAL	1	
6	09137-04004	SCREW (4X16)	2	
7	09403-12412	CLAMP	1	
8	37725-93J11	COVER, SWITCH ASSY	1	
9	37850-92J00	SWITCH ASSY, PTT	1	
10	37856-92J00	.TAPE, PTT SWITCH	1	
11	37857-92J00	BUSH, PTT SWITCH	1	
12	09403-11315	CLAMP	1	
13	01550-06127	BOLT	1	
14	37722-93J11	SWITCH ASSY, TILT LIMIT	1	
15	09403-09316	CLAMP	1	W/TRANSOM(X,XX)
16	29125-93J00	SCREW, TILT LIMIT CLAMP (6X12)	1	W/TRANSOM(X,XX)
17	38410-93J12	RELAY, PTT	1	
18	38415-93J00	HOLDER, PTT RELAY	1	
19	01550-06127	BOLT	1	
20	33920-93JN1	UNIT, ENGINE CONTROL	1	
21	33925-93J00	CUSHION, ENGINE CONTROL UNIT	1	
22	38860-76F01	RELAY, ENGINE CONTROL UNIT	1	
23	38915-90J00	HOLDER, RELAY	1	
24	09407-14407	CLAMP (L:145)	1	W/TRANSOM(L)

FIG.326B

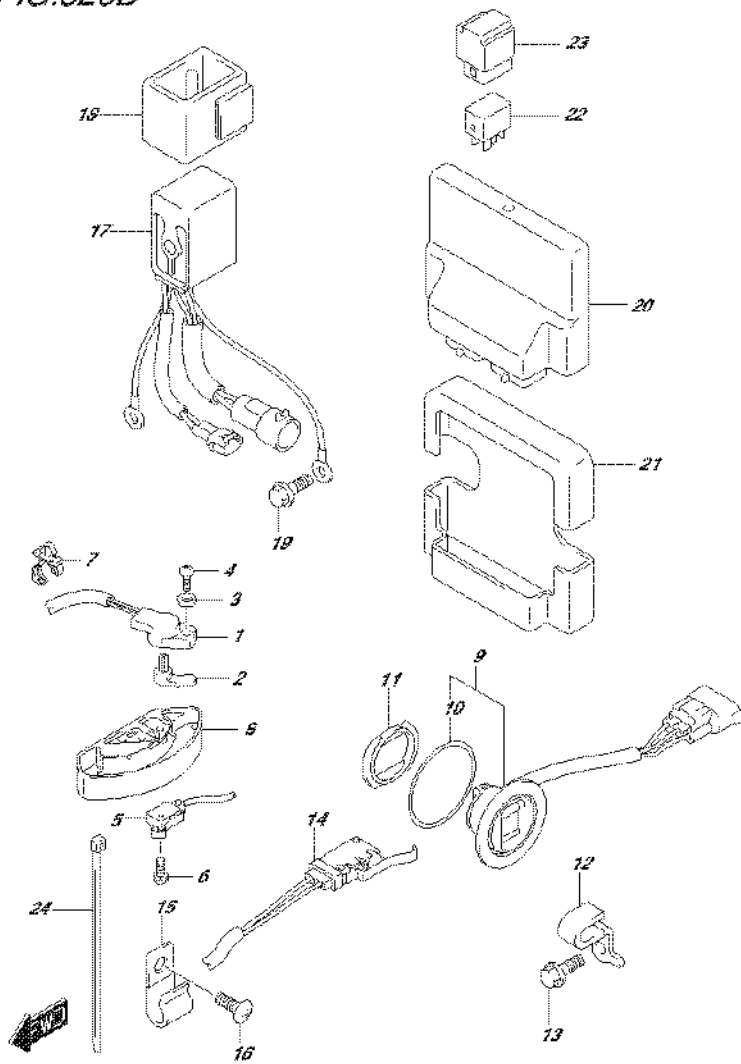


FIG.326B (2-I-5) PTT SWITCH/ENGINE CONTROL UNIT (DF200T E40)

REF NO.	PART NO.	DESCRIPTION	Q'TY	REMARKS
1	13580-93J02	SENSOR ASSY, SHIFT POSITION	1	
2	37729-93J00	LEVER, SHIFT SENSOR	1	
3	09160-05029	WASHER (5.5X12X0.8)	1	
4	02112-35167	SCREW	1	
5	37721-93J00	SWITCH ASSY, NEUTRAL	1	
6	09137-04004	SCREW (4X16)	2	
7	09403-12412	CLAMP	1	
8	37725-93J11	COVER, SWITCH ASSY	1	
9	37850-92J00	SWITCH ASSY, PTT	1	
10	37856-92J00	.TAPE, PTT SWITCH	1	
11	37857-92J00	BUSH, PTT SWITCH	1	
12	09403-11315	CLAMP	1	
13	01550-06127	BOLT	1	
14	37722-93J11	SWITCH ASSY, TILT LIMIT	1	
15	09403-09316	CLAMP	1	W/TRANSOM(X)
16	29125-93J00	SCREW, TILT LIMIT CLAMP (6X12)	1	W/TRANSOM(X)
17	38410-93J12	RELAY, PTT	1	
18	38415-93J00	HOLDER, PTT RELAY	1	
19	01550-06127	BOLT	1	
20	33920-93JM1	UNIT, ENGINE CONTROL	1	
21	33925-93J00	CUSHION, ENGINE CONTROL UNIT	1	
22	38860-76F01	RELAY, ENGINE CONTROL UNIT	1	
23	38915-90J00	HOLDER, RELAY	1	
24	09407-14407	CLAMP (L:145)	1	W/TRANSOM(L)

FIG.326C

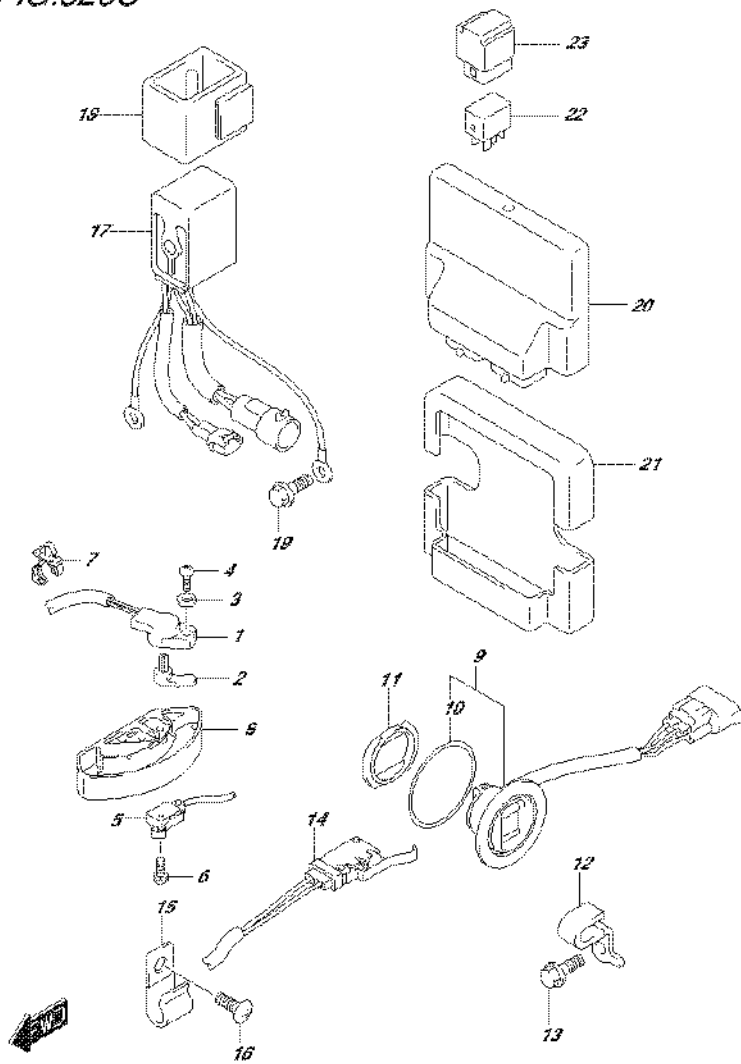


FIG.326C (2-I-6) PTT SWITCH/ENGINE CONTROL UNIT (DF200Z E01)

REF NO.	PART NO.	DESCRIPTION	Q'TY	REMARKS
1	13580-93J02	SENSOR ASSY, SHIFT POSITION	1	
2	37729-93J00	LEVER, SHIFT SENSOR	1	
3	09160-05029	WASHER (5.5X12X0.8)	1	
4	02112-35167	SCREW	1	
5	37721-93J00	SWITCH ASSY, NEUTRAL	1	
6	09137-04004	SCREW (4X16)	2	
7	09403-12412	CLAMP	1	
8	37725-93J11	COVER, SWITCH ASSY	1	
9	37850-92J00	SWITCH ASSY, PTT	1	
10	37856-92J00	.TAPE, PTT SWITCH	1	
11	37857-92J00	BUSH, PTT SWITCH	1	
12	09403-11315	CLAMP	1	
13	01550-06127	BOLT	1	
14	37722-93J11	SWITCH ASSY, TILT LIMIT	1	
15	09403-09316	CLAMP	1	
16	29125-93J00	SCREW, TILT LIMIT CLAMP (6X12)	1	
17	38410-93J12	RELAY, PTT	1	
18	38415-93J00	HOLDER, PTT RELAY	1	
19	01550-06127	BOLT	1	
20	33920-93JN1	UNIT, ENGINE CONTROL	1	
21	33925-93J00	CUSHION, ENGINE CONTROL UNIT	1	
22	38860-76F01	RELAY, ENGINE CONTROL UNIT	1	
23	38915-90J00	HOLDER, RELAY	1	

FIG.326D

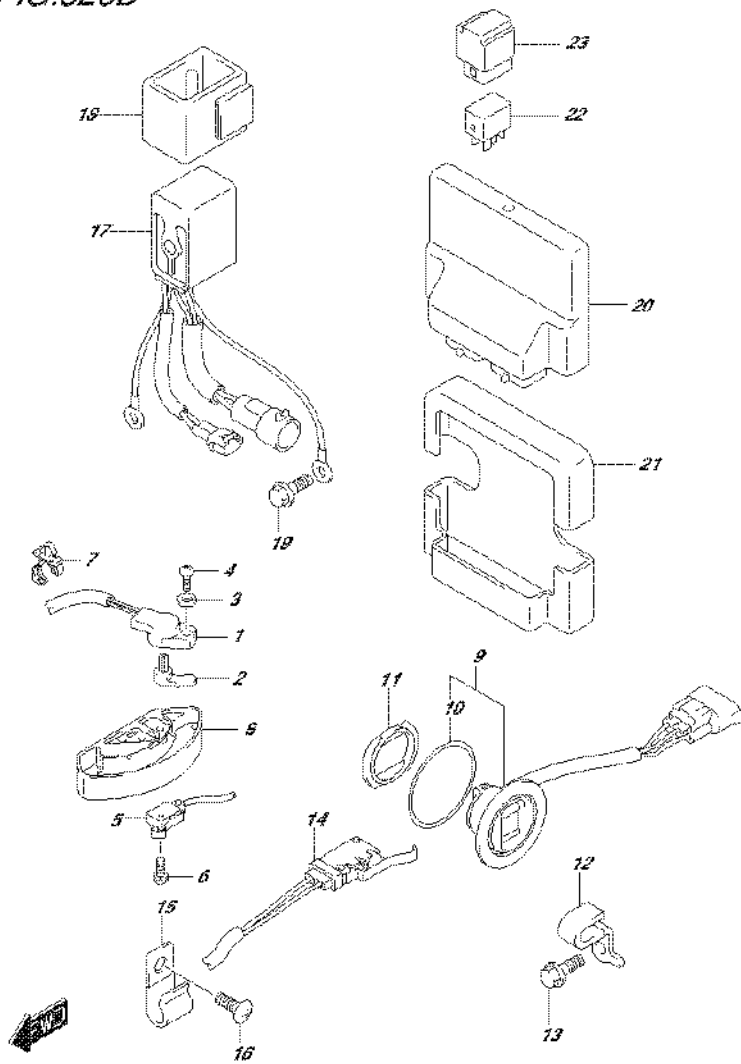


FIG.326D (2-I-7) PTT SWITCH/ENGINE CONTROL UNIT (DF200Z E40)

REF NO.	PART NO.	DESCRIPTION	Q'TY	REMARKS
1	13580-93J02	SENSOR ASSY, SHIFT POSITION	1	
2	37729-93J00	LEVER, SHIFT SENSOR	1	
3	09160-05029	WASHER (5.5X12X0.8)	1	
4	02112-35167	SCREW	1	
5	37721-93J00	SWITCH ASSY, NEUTRAL	1	
6	09137-04004	SCREW (4X16)	2	
7	09403-12412	CLAMP	1	
8	37725-93J11	COVER, SWITCH ASSY	1	
9	37850-92J00	SWITCH ASSY, PTT	1	
10	37856-92J00	.TAPE, PTT SWITCH	1	
11	37857-92J00	BUSH, PTT SWITCH	1	
12	09403-11315	CLAMP	1	
13	01550-06127	BOLT	1	
14	37722-93J11	SWITCH ASSY, TILT LIMIT	1	
15	09403-09316	CLAMP	1	
16	29125-93J00	SCREW, TILT LIMIT CLAMP (6X12)	1	
17	38410-93J12	RELAY, PTT	1	
18	38415-93J00	HOLDER, PTT RELAY	1	
19	01550-06127	BOLT	1	
20	33920-93JM1	UNIT, ENGINE CONTROL	1	
21	33925-93J00	CUSHION, ENGINE CONTROL UNIT	1	
22	38860-76F01	RELAY, ENGINE CONTROL UNIT	1	
23	38915-90J00	HOLDER, RELAY	1	

FIG.326E

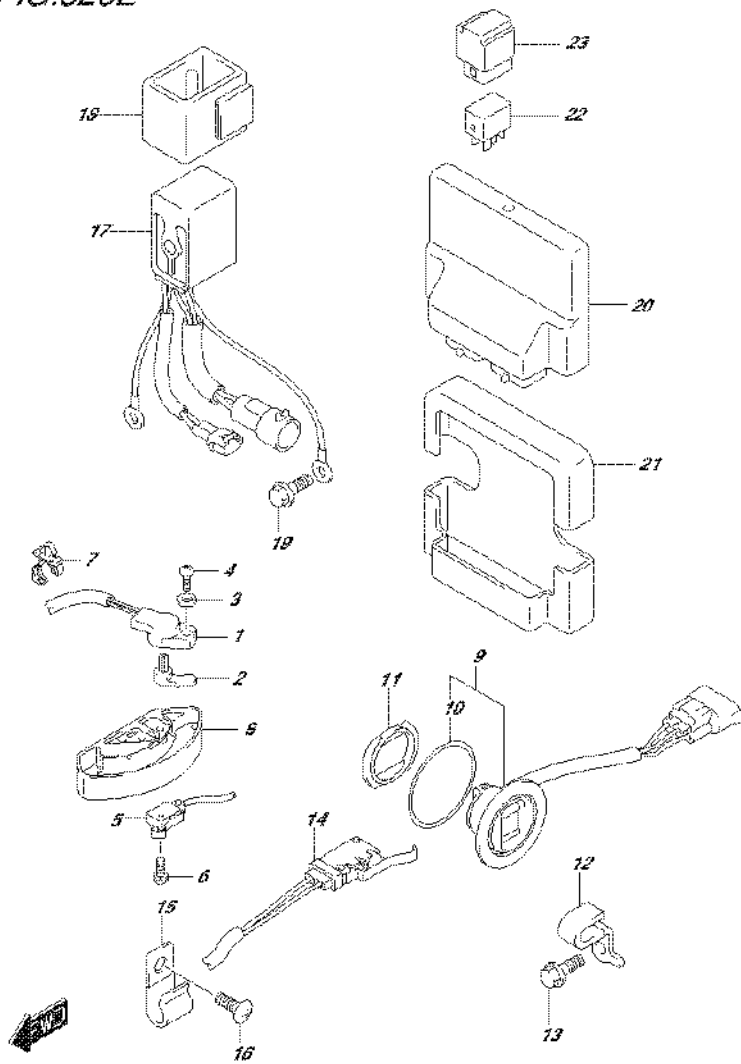


FIG.326E (2-I-8) PTT SWITCH/ENGINE CONTROL UNIT (DF225T E01)

REF NO.	PART NO.	DESCRIPTION	Q'TY	REMARKS
1	13580-93J02	SENSOR ASSY, SHIFT POSITION	1	
2	37729-93J00	LEVER, SHIFT SENSOR	1	
3	09160-05029	WASHER (5.5X12X0.8)	1	
4	02112-35167	SCREW	1	
5	37721-93J00	SWITCH ASSY, NEUTRAL	1	
6	09137-04004	SCREW (4X16)	2	
7	09403-12412	CLAMP	1	
8	37725-93J11	COVER, SWITCH ASSY	1	
9	37850-92J00	SWITCH ASSY, PTT	1	
10	37856-92J00	.TAPE, PTT SWITCH	1	
11	37857-92J00	BUSH, PTT SWITCH	1	
12	09403-11315	CLAMP	1	
13	01550-06127	BOLT	1	
14	37722-93J11	SWITCH ASSY, TILT LIMIT	1	
15	09403-09316	CLAMP	1	
16	29125-93J00	SCREW, TILT LIMIT CLAMP (6X12)	1	
17	38410-93J12	RELAY, PTT	1	
18	38415-93J00	HOLDER, PTT RELAY	1	
19	01550-06127	BOLT	1	
20	33920-93JN1	UNIT, ENGINE CONTROL	1	
21	33925-93J00	CUSHION, ENGINE CONTROL UNIT	1	
22	38860-76F01	RELAY, ENGINE CONTROL UNIT	1	
23	38915-90J00	HOLDER, RELAY	1	

FIG.326F

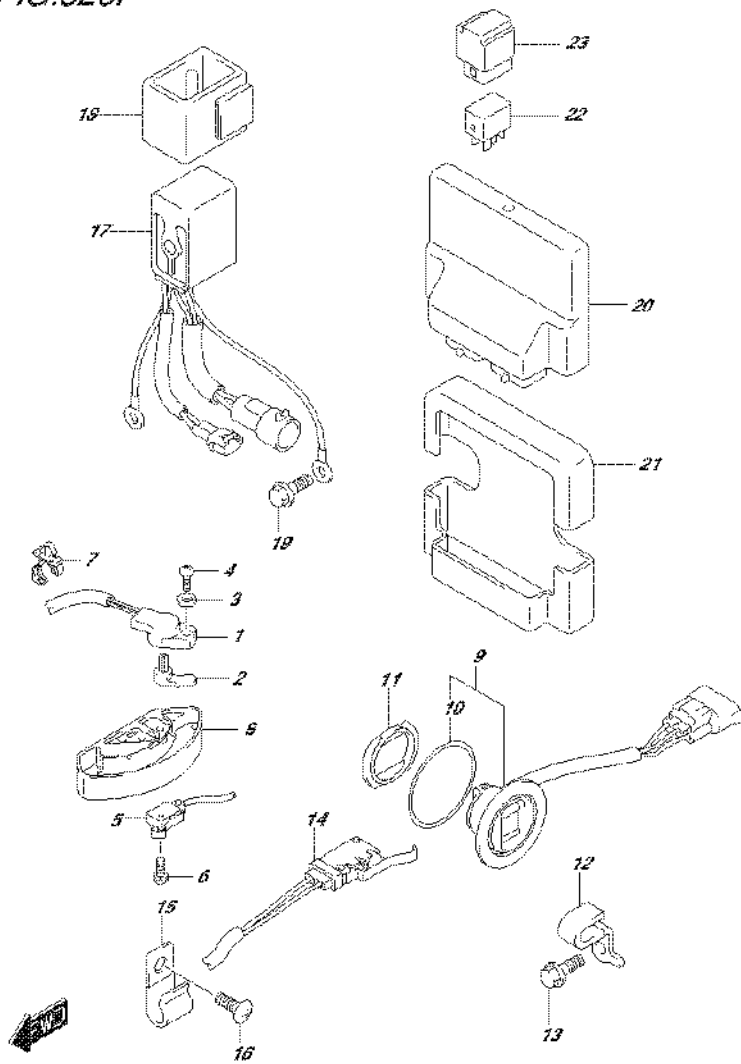


FIG.326F (2-I-9) PTT SWITCH/ENGINE CONTROL UNIT (DF225T E40)

REF NO.	PART NO.	DESCRIPTION	Q'TY	REMARKS
1	13580-93J02	SENSOR ASSY, SHIFT POSITION	1	
2	37729-93J00	LEVER, SHIFT SENSOR	1	
3	09160-05029	WASHER (5.5X12X0.8)	1	
4	02112-35167	SCREW	1	
5	37721-93J00	SWITCH ASSY, NEUTRAL	1	
6	09137-04004	SCREW (4X16)	2	
7	09403-12412	CLAMP	1	
8	37725-93J11	COVER, SWITCH ASSY	1	
9	37850-92J00	SWITCH ASSY, PTT	1	
10	37856-92J00	.TAPE, PTT SWITCH	1	
11	37857-92J00	BUSH, PTT SWITCH	1	
12	09403-11315	CLAMP	1	
13	01550-06127	BOLT	1	
14	37722-93J11	SWITCH ASSY, TILT LIMIT	1	
15	09403-09316	CLAMP	1	
16	29125-93J00	SCREW, TILT LIMIT CLAMP (6X12)	1	
17	38410-93J12	RELAY, PTT	1	
18	38415-93J00	HOLDER, PTT RELAY	1	
19	01550-06127	BOLT	1	
20	33920-93JM1	UNIT, ENGINE CONTROL	1	
21	33925-93J00	CUSHION, ENGINE CONTROL UNIT	1	
22	38860-76F01	RELAY, ENGINE CONTROL UNIT	1	
23	38915-90J00	HOLDER, RELAY	1	

FIG.326G

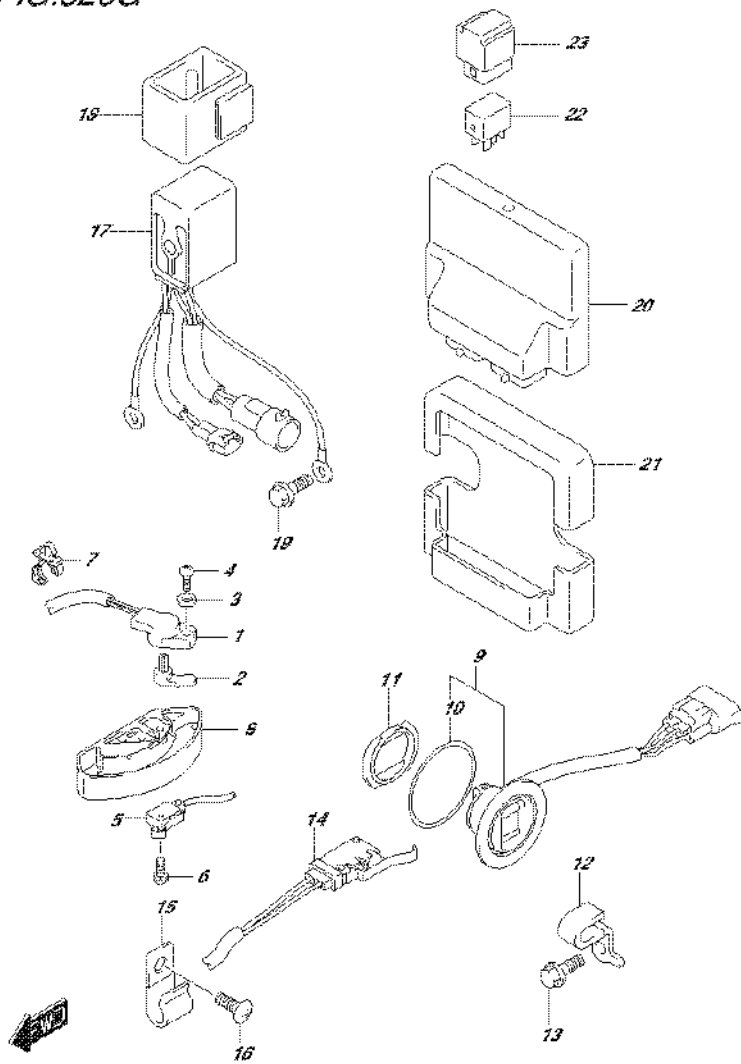


FIG.326G (2-I-10) PTT SWITCH/ENGINE CONTROL UNIT (DF225Z E01)

REF NO.	PART NO.	DESCRIPTION	Q'TY	REMARKS
1	13580-93J02	SENSOR ASSY, SHIFT POSITION	1	
2	37729-93J00	LEVER, SHIFT SENSOR	1	
3	09160-05029	WASHER (5.5X12X0.8)	1	
4	02112-35167	SCREW	1	
5	37721-93J00	SWITCH ASSY, NEUTRAL	1	
6	09137-04004	SCREW (4X16)	2	
7	09403-12412	CLAMP	1	
8	37725-93J11	COVER, SWITCH ASSY	1	
9	37850-92J00	SWITCH ASSY, PTT	1	
10	37856-92J00	.TAPE, PTT SWITCH	1	
11	37857-92J00	BUSH, PTT SWITCH	1	
12	09403-11315	CLAMP	1	
13	01550-06127	BOLT	1	
14	37722-93J11	SWITCH ASSY, TILT LIMIT	1	
15	09403-09316	CLAMP	1	
16	29125-93J00	SCREW, TILT LIMIT CLAMP (6X12)	1	
17	38410-93J12	RELAY, PTT	1	
18	38415-93J00	HOLDER, PTT RELAY	1	
19	01550-06127	BOLT	1	
20	33920-93JN1	UNIT, ENGINE CONTROL	1	
21	33925-93J00	CUSHION, ENGINE CONTROL UNIT	1	
22	38860-76F01	RELAY, ENGINE CONTROL UNIT	1	
23	38915-90J00	HOLDER, RELAY	1	

FIG.326H

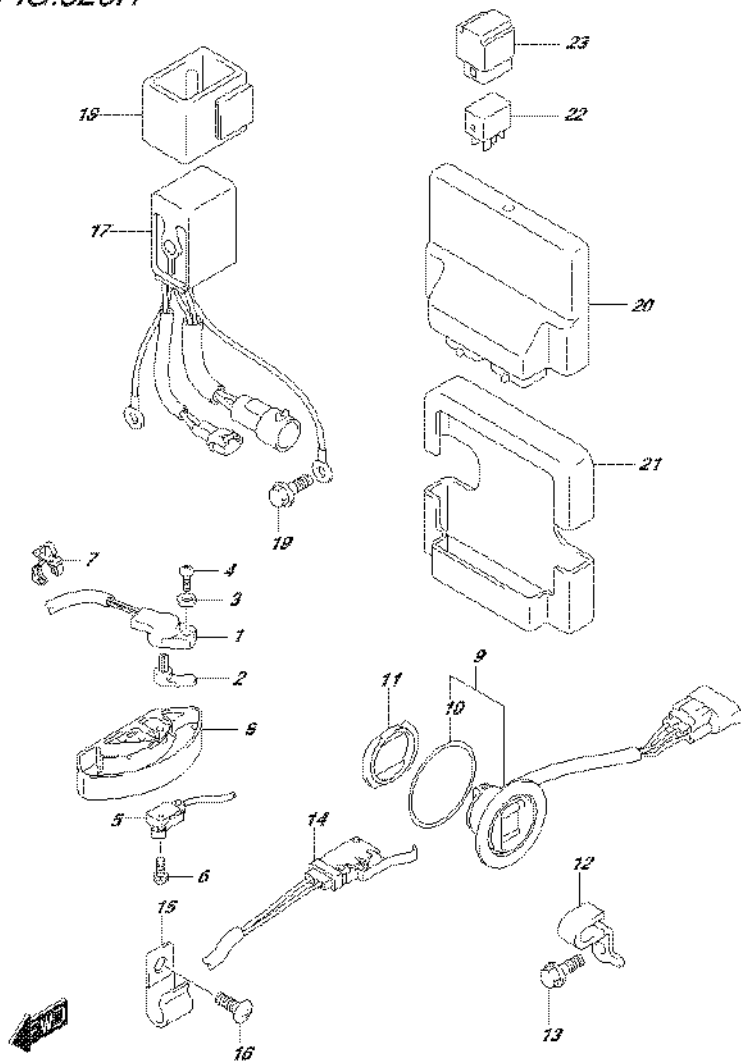


FIG.326H (2-I-11) PTT SWITCH/ENGINE CONTROL UNIT (DF225Z E40)

REF NO.	PART NO.	DESCRIPTION	Q'TY	REMARKS
1	13580-93J02	SENSOR ASSY, SHIFT POSITION	1	
2	37729-93J00	LEVER, SHIFT SENSOR	1	
3	09160-05029	WASHER (5.5X12X0.8)	1	
4	02112-35167	SCREW	1	
5	37721-93J00	SWITCH ASSY, NEUTRAL	1	
6	09137-04004	SCREW (4X16)	2	
7	09403-12412	CLAMP	1	
8	37725-93J11	COVER, SWITCH ASSY	1	
9	37850-92J00	SWITCH ASSY, PTT	1	
10	37856-92J00	.TAPE, PTT SWITCH	1	
11	37857-92J00	BUSH, PTT SWITCH	1	
12	09403-11315	CLAMP	1	
13	01550-06127	BOLT	1	
14	37722-93J11	SWITCH ASSY, TILT LIMIT	1	
15	09403-09316	CLAMP	1	
16	29125-93J00	SCREW, TILT LIMIT CLAMP (6X12)	1	
17	38410-93J12	RELAY, PTT	1	
18	38415-93J00	HOLDER, PTT RELAY	1	
19	01550-06127	BOLT	1	
20	33920-93JM1	UNIT, ENGINE CONTROL	1	
21	33925-93J00	CUSHION, ENGINE CONTROL UNIT	1	
22	38860-76F01	RELAY, ENGINE CONTROL UNIT	1	
23	38915-90J00	HOLDER, RELAY	1	

FIG.326J

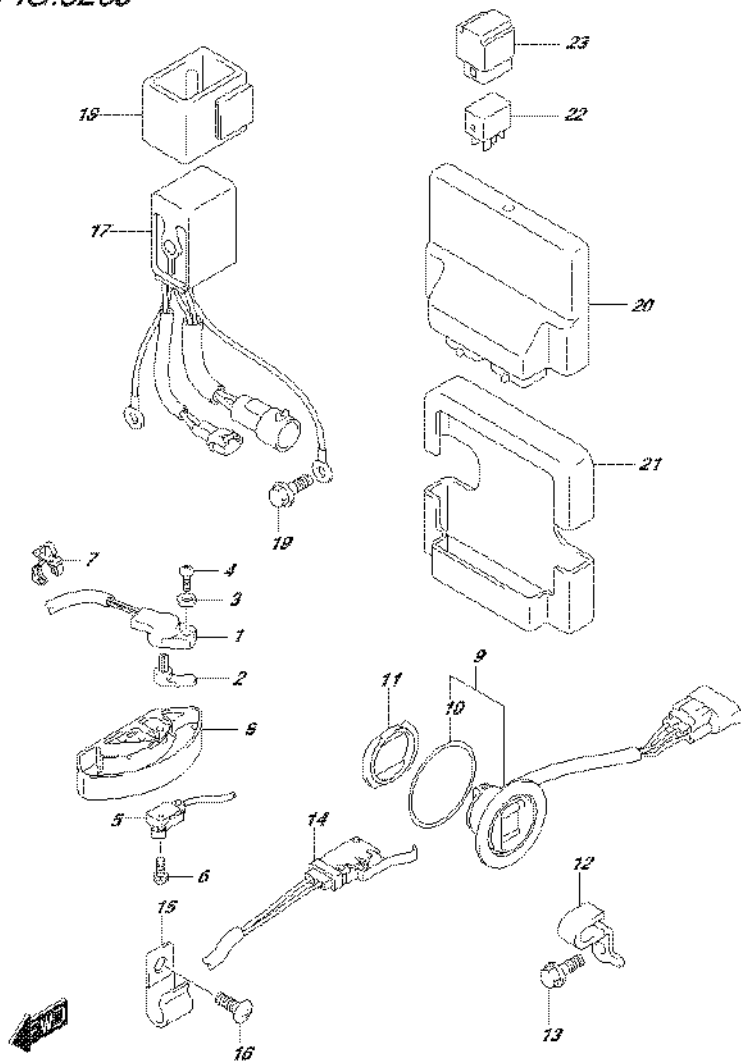


FIG.326J (2-I-12) PTT SWITCH/ENGINE CONTROL UNIT (DF250T E01)

REF NO.	PART NO.	DESCRIPTION	Q'TY	REMARKS
1	13580-93J02	SENSOR ASSY, SHIFT POSITION	1	
2	37729-93J00	LEVER, SHIFT SENSOR	1	
3	09160-05029	WASHER (5.5X12X0.8)	1	
4	02112-35167	SCREW	1	
5	37721-93J00	SWITCH ASSY, NEUTRAL	1	
6	09137-04004	SCREW (4X16)	2	
7	09403-12412	CLAMP	1	
8	37725-93J11	COVER, SWITCH ASSY	1	
9	37850-92J00	SWITCH ASSY, PTT	1	
10	37856-92J00	.TAPE, PTT SWITCH	1	
11	37857-92J00	BUSH, PTT SWITCH	1	
12	09403-11315	CLAMP	1	
13	01550-06127	BOLT	1	
14	37722-93J11	SWITCH ASSY, TILT LIMIT	1	
15	09403-09316	CLAMP	1	
16	29125-93J00	SCREW, TILT LIMIT CLAMP (6X12)	1	
17	38410-93J12	RELAY, PTT	1	
18	38415-93J00	HOLDER, PTT RELAY	1	
19	01550-06127	BOLT	1	
20	33920-93JN1	UNIT, ENGINE CONTROL	1	
21	33925-93J00	CUSHION, ENGINE CONTROL UNIT	1	
22	38860-76F01	RELAY, ENGINE CONTROL UNIT	1	
23	38915-90J00	HOLDER, RELAY	1	

FIG.326K

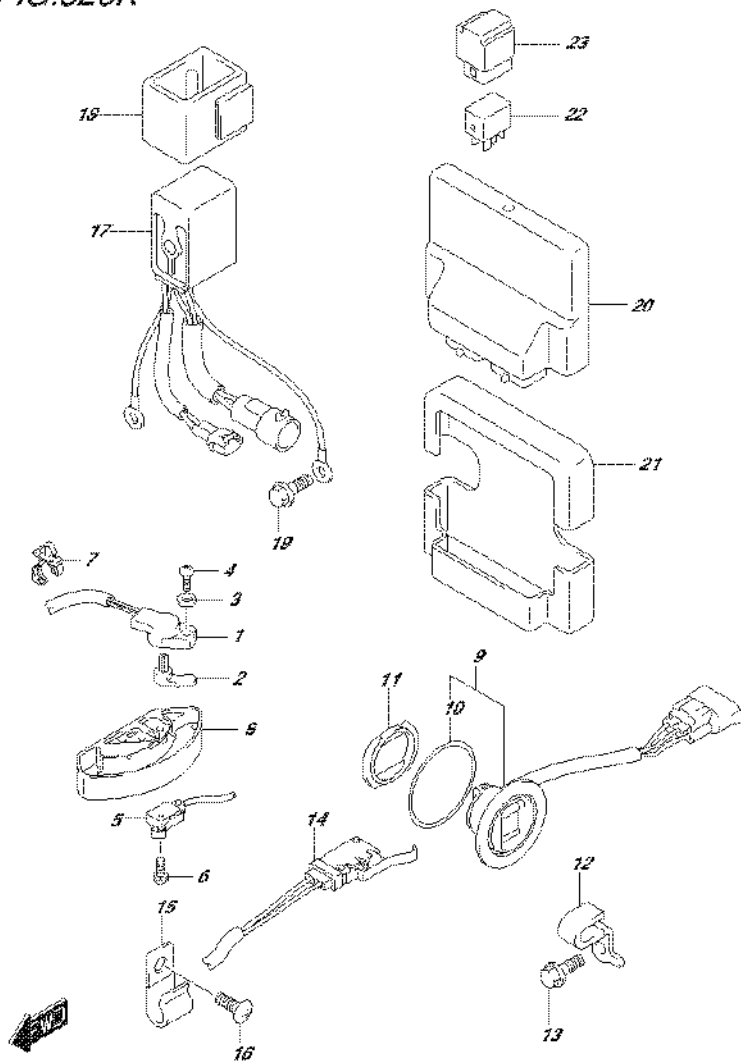


FIG.326K (2-I-13) PTT SWITCH/ENGINE CONTROL UNIT (DF250T E40)

REF NO.	PART NO.	DESCRIPTION	Q'TY	REMARKS
1	13580-93J02	SENSOR ASSY, SHIFT POSITION	1	
2	37729-93J00	LEVER, SHIFT SENSOR	1	
3	09160-05029	WASHER (5.5X12X0.8)	1	
4	02112-35167	SCREW	1	
5	37721-93J00	SWITCH ASSY, NEUTRAL	1	
6	09137-04004	SCREW (4X16)	2	
7	09403-12412	CLAMP	1	
8	37725-93J11	COVER, SWITCH ASSY	1	
9	37850-92J00	SWITCH ASSY, PTT	1	
10	37856-92J00	.TAPE, PTT SWITCH	1	
11	37857-92J00	BUSH, PTT SWITCH	1	
12	09403-11315	CLAMP	1	
13	01550-06127	BOLT	1	
14	37722-93J11	SWITCH ASSY, TILT LIMIT	1	
15	09403-09316	CLAMP	1	
16	29125-93J00	SCREW, TILT LIMIT CLAMP (6X12)	1	
17	38410-93J12	RELAY, PTT	1	
18	38415-93J00	HOLDER, PTT RELAY	1	
19	01550-06127	BOLT	1	
20	33920-93JM1	UNIT, ENGINE CONTROL	1	
21	33925-93J00	CUSHION, ENGINE CONTROL UNIT	1	
22	38860-76F01	RELAY, ENGINE CONTROL UNIT	1	
23	38915-90J00	HOLDER, RELAY	1	

FIG.326L

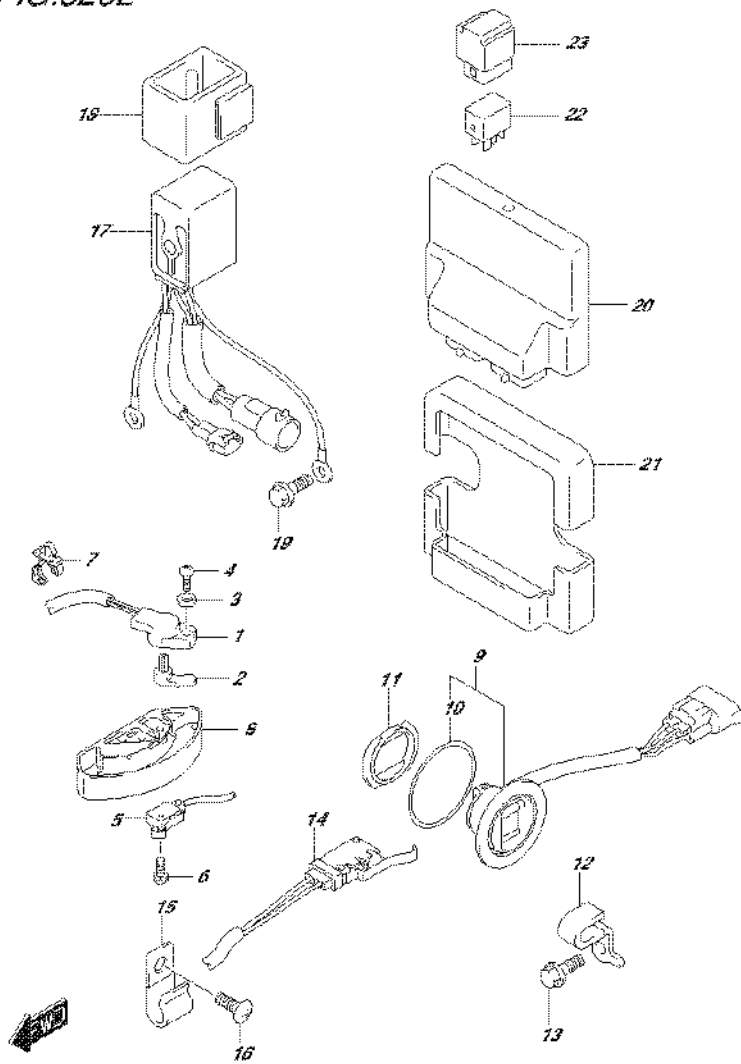


FIG.326L (2-I-14) PTT SWITCH/ENGINE CONTROL UNIT (DF250Z E01)

REF NO.	PART NO.	DESCRIPTION	Q'TY	REMARKS
1	13580-93J02	SENSOR ASSY, SHIFT POSITION	1	
2	37729-93J00	LEVER, SHIFT SENSOR	1	
3	09160-05029	WASHER (5.5X12X0.8)	1	
4	02112-35167	SCREW	1	
5	37721-93J00	SWITCH ASSY, NEUTRAL	1	
6	09137-04004	SCREW (4X16)	2	
7	09403-12412	CLAMP	1	
8	37725-93J11	COVER, SWITCH ASSY	1	
9	37850-92J00	SWITCH ASSY, PTT	1	
10	37856-92J00	.TAPE, PTT SWITCH	1	
11	37857-92J00	BUSH, PTT SWITCH	1	
12	09403-11315	CLAMP	1	
13	01550-06127	BOLT	1	
14	37722-93J11	SWITCH ASSY, TILT LIMIT	1	
15	09403-09316	CLAMP	1	
16	29125-93J00	SCREW, TILT LIMIT CLAMP (6X12)	1	
17	38410-93J12	RELAY, PTT	1	
18	38415-93J00	HOLDER, PTT RELAY	1	
19	01550-06127	BOLT	1	
20	33920-93JN1	UNIT, ENGINE CONTROL	1	
21	33925-93J00	CUSHION, ENGINE CONTROL UNIT	1	
22	38860-76F01	RELAY, ENGINE CONTROL UNIT	1	
23	38915-90J00	HOLDER, RELAY	1	

FIG.326M

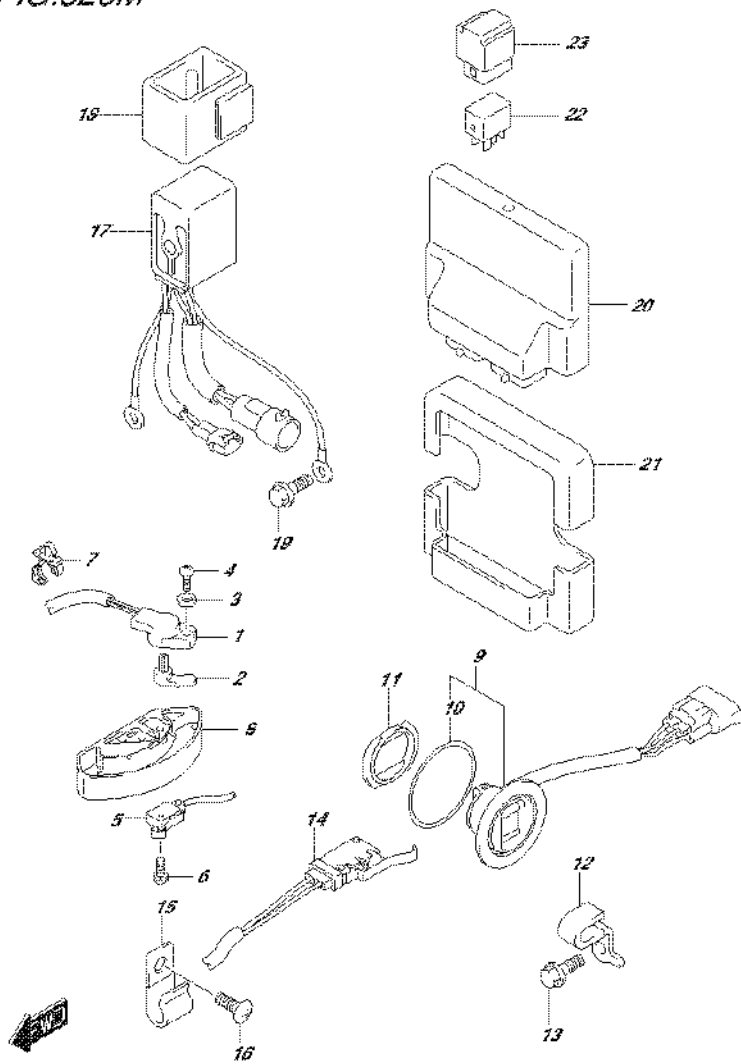


FIG.326M (2-I-15) PTT SWITCH/ENGINE CONTROL UNIT (DF250Z E40)

REF NO.	PART NO.	DESCRIPTION	Q'TY	REMARKS
1	13580-93J02	SENSOR ASSY, SHIFT POSITION	1	
2	37729-93J00	LEVER, SHIFT SENSOR	1	
3	09160-05029	WASHER (5.5X12X0.8)	1	
4	02112-35167	SCREW	1	
5	37721-93J00	SWITCH ASSY, NEUTRAL	1	
6	09137-04004	SCREW (4X16)	2	
7	09403-12412	CLAMP	1	
8	37725-93J11	COVER, SWITCH ASSY	1	
9	37850-92J00	SWITCH ASSY, PTT	1	
10	37856-92J00	.TAPE, PTT SWITCH	1	
11	37857-92J00	BUSH, PTT SWITCH	1	
12	09403-11315	CLAMP	1	
13	01550-06127	BOLT	1	
14	37722-93J11	SWITCH ASSY, TILT LIMIT	1	
15	09403-09316	CLAMP	1	
16	29125-93J00	SCREW, TILT LIMIT CLAMP (6X12)	1	
17	38410-93J12	RELAY, PTT	1	
18	38415-93J00	HOLDER, PTT RELAY	1	
19	01550-06127	BOLT	1	
20	33920-93JM1	UNIT, ENGINE CONTROL	1	
21	33925-93J00	CUSHION, ENGINE CONTROL UNIT	1	
22	38860-76F01	RELAY, ENGINE CONTROL UNIT	1	
23	38915-90J00	HOLDER, RELAY	1	

FIG.335A

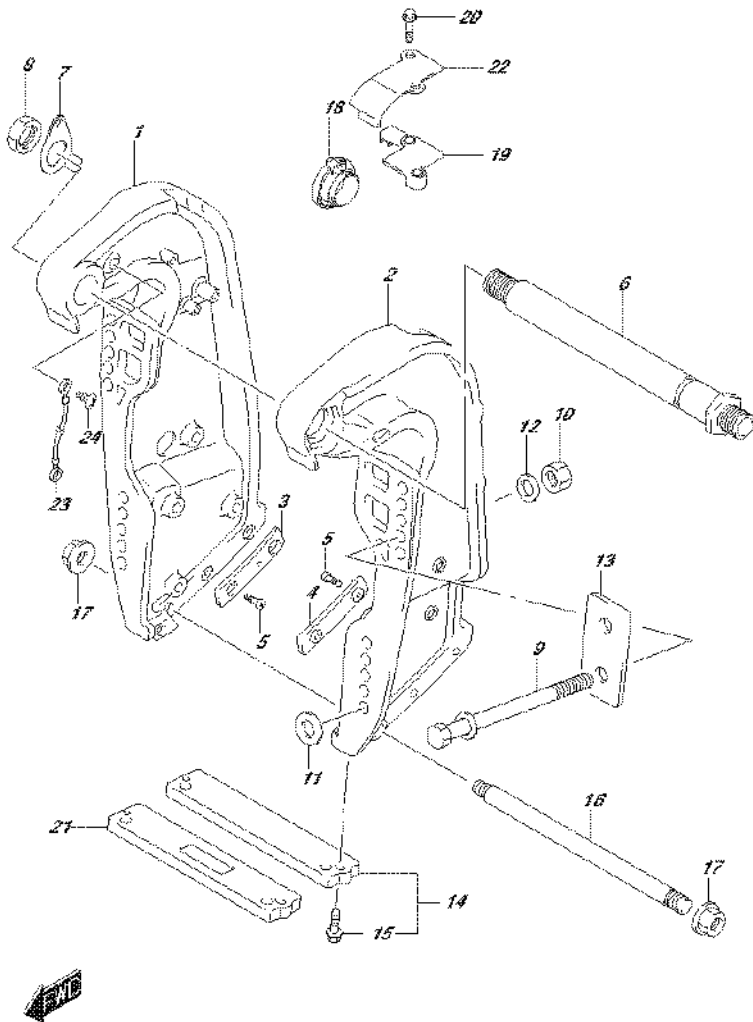


FIG.335A (2-J-2) CLAMP BRACKET TRANSOM(X,XX) (DF200T E01)

REF NO.	PART NO.	DESCRIPTION	Q'TY	REMARKS
1-1	41111-93J14-0EP	BRACKET, CLAMP STBD (BLACK)	1	
1-2	41111-93J14-Y5S	BRACKET, CLAMP STBD (WHITE)	1	
2-1	41121-93J06-0EP	BRACKET, CLAMP PORT (BLACK)	1	
2-2	41121-93J06-Y5S	BRACKET, CLAMP PORT (WHITE)	1	
3	41117-93J01	PLATE, CLAMP BRKT LOWER STBD	1	
4	41122-93J01	PLATE, CLAMP BRKT LOWER PORT	1	
5	09125-06063	SCREW (6X10)	4	
6	41130-93J12	SHAFT, CLAMP BRKT	1	
7	41135-93J11	WASHER, CLAMP BRACKET SHAFT	1	
8	09159-22006	NUT	1	
9-1	09100-12092	BOLT (12.7X75)	1	OPT
9-2	09100-12086	BOLT (12.7X150)	6	
9-3	09100-12085	BOLT (12.7X115)	1	OPT
10	09159-12062	NUT	6	
11	09160-13022	WASHER (13.2X45X3)	4	
12	09160-13021	WASHER (13.2X26X3)	6	
13	41155-93J02	PLATE, TRANSOM	2	
14	55320-94900	ZINC SET, PROTECTION	1	
15	09116-06121	.BOLT (6X25)	2	
16	45421-87D02	PIN, TILT LOCK	1	
17	09159-14020	NUT	2	
18	48140-93J01	CAM, TILT LIMIT SWITCH	1	
19	48144-93J00	HOLDER, TILT LIMIT SWITCH	1	
20	09103-06278	BOLT (6X25)	2	
21	55321-94910	ANODE (MAGNESIUM)	1	OPT
22	48145-93J00	COVER, TILT LIMIT SWITCH	1	
23	36894-87D00	LEAD (CLAMP TO SWIVEL)	1	
24	09125-06063	SCREW (6X10)	2	

FIG.335B

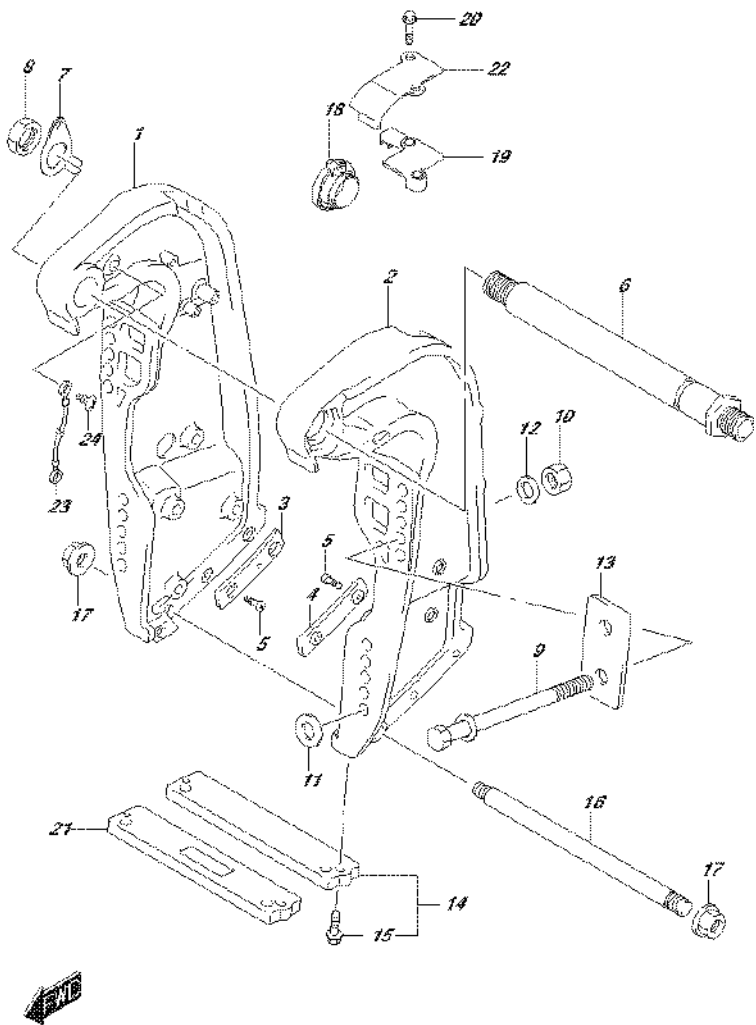


FIG.335B (2-J-3) CLAMP BRACKET TRANSOM(X) (DF200T E40)

REF NO.	PART NO.	DESCRIPTION	Q'TY	REMARKS
1-1	41111-93J14-0EP	BRACKET, CLAMP STBD (BLACK)	1	
1-2	41111-93J14-Y5S	BRACKET, CLAMP STBD (WHITE)	1	
2-1	41121-93J06-0EP	BRACKET, CLAMP PORT (BLACK)	1	
2-2	41121-93J06-Y5S	BRACKET, CLAMP PORT (WHITE)	1	
3	41117-93J01	PLATE, CLAMP BRKT LOWER STBD	1	
4	41122-93J01	PLATE, CLAMP BRKT LOWER PORT	1	
5	09125-06063	SCREW (6X10)	4	
6	41130-93J12	SHAFT, CLAMP BRKT	1	
7	41135-93J11	WASHER, CLAMP BRACKET SHAFT	1	
8	09159-22006	NUT	1	
9-1	09100-12092	BOLT (12.7X75)	1	OPT
9-2	09100-12086	BOLT (12.7X150)	6	
9-3	09100-12085	BOLT (12.7X115)	1	OPT
10	09159-12062	NUT	6	
11	09160-13022	WASHER (13.2X45X3)	4	
12	09160-13021	WASHER (13.2X26X3)	6	
13	41155-93J02	PLATE, TRANSOM	2	
14	55320-94900	ZINC SET, PROTECTION	1	
15	09116-06121	.BOLT (6X25)	2	
16	45421-87D02	PIN, TILT LOCK	1	
17	09159-14020	NUT	2	
18	48140-93J01	CAM, TILT LIMIT SWITCH	1	
19	48144-93J00	HOLDER, TILT LIMIT SWITCH	1	
20	09103-06278	BOLT (6X25)	2	
21	55321-94910	ANODE (MAGNESIUM)	1	OPT
22	48145-93J00	COVER, TILT LIMIT SWITCH	1	
23	36894-87D00	LEAD (CLAMP TO SWIVEL)	1	
24	09125-06063	SCREW (6X10)	2	

FIG.335C

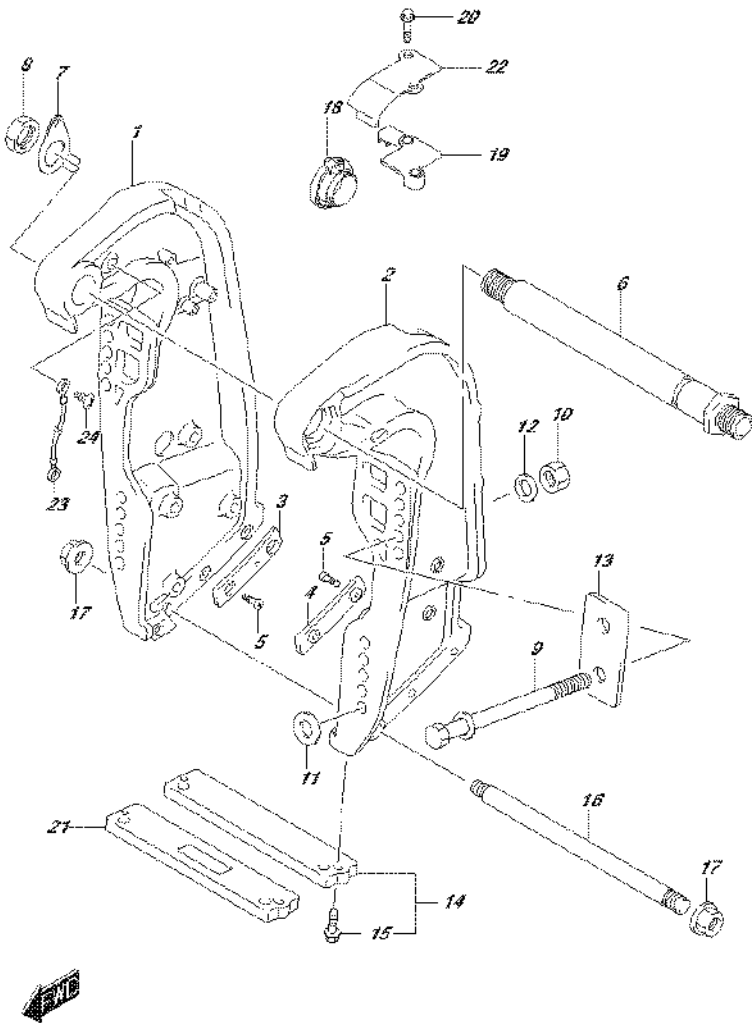


FIG.335C (2-J-4) CLAMP BRACKET TRANSOM(X,XX) (DF200Z E01)

REF NO.	PART NO.	DESCRIPTION	Q'TY	REMARKS
1-1	41111-93J14-0EP	BRACKET, CLAMP STBD (BLACK)	1	
1-2	41111-93J14-Y5S	BRACKET, CLAMP STBD (WHITE)	1	
2-1	41121-93J06-0EP	BRACKET, CLAMP PORT (BLACK)	1	
2-2	41121-93J06-Y5S	BRACKET, CLAMP PORT (WHITE)	1	
3	41117-93J01	PLATE, CLAMP BRKT LOWER STBD	1	
4	41122-93J01	PLATE, CLAMP BRKT LOWER PORT	1	
5	09125-06063	SCREW (6X10)	4	
6	41130-93J12	SHAFT, CLAMP BRKT	1	
7	41135-93J11	WASHER, CLAMP BRACKET SHAFT	1	
8	09159-22006	NUT	1	
9-1	09100-12092	BOLT (12.7X75)	1	OPT
9-2	09100-12086	BOLT (12.7X150)	6	
9-3	09100-12085	BOLT (12.7X115)	1	OPT
10	09159-12062	NUT	6	
11	09160-13022	WASHER (13.2X45X3)	4	
12	09160-13021	WASHER (13.2X26X3)	6	
13	41155-93J02	PLATE, TRANSOM	2	
14	55320-94900	ZINC SET, PROTECTION	1	
15	09116-06121	.BOLT (6X25)	2	
16	45421-87D02	PIN, TILT LOCK	1	
17	09159-14020	NUT	2	
18	48140-93J01	CAM, TILT LIMIT SWITCH	1	
19	48144-93J00	HOLDER, TILT LIMIT SWITCH	1	
20	09103-06278	BOLT (6X25)	2	
21	55321-94910	ANODE (MAGNESIUM)	1	OPT
22	48145-93J00	COVER, TILT LIMIT SWITCH	1	
23	36894-87D00	LEAD (CLAMP TO SWIVEL)	1	
24	09125-06063	SCREW (6X10)	2	

FIG.335D

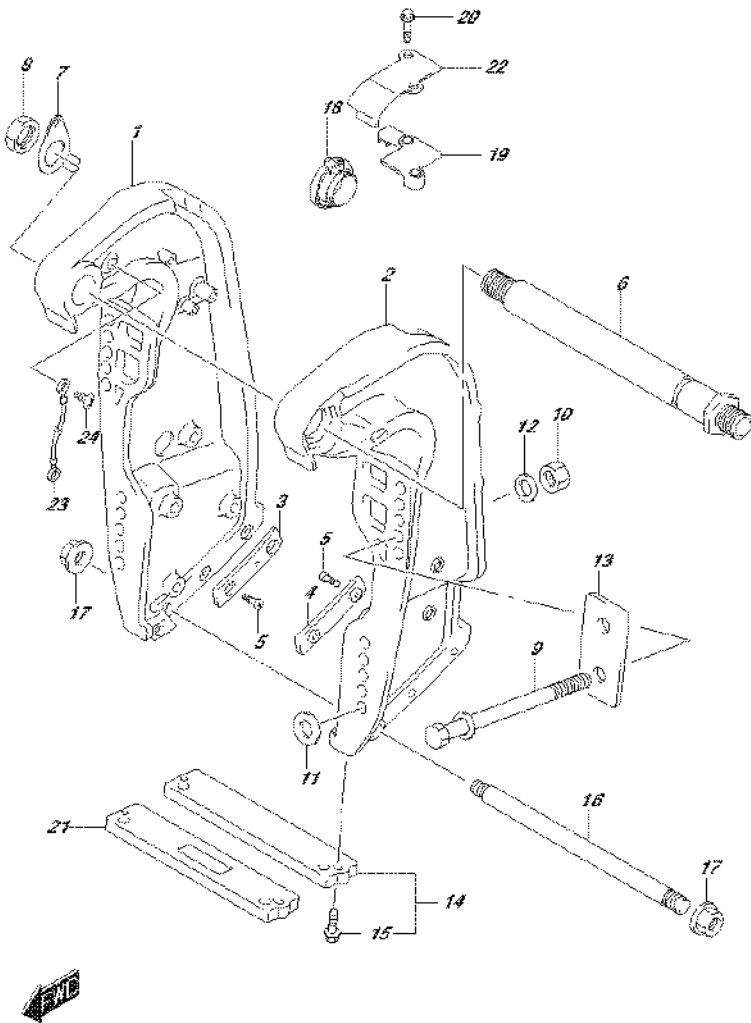
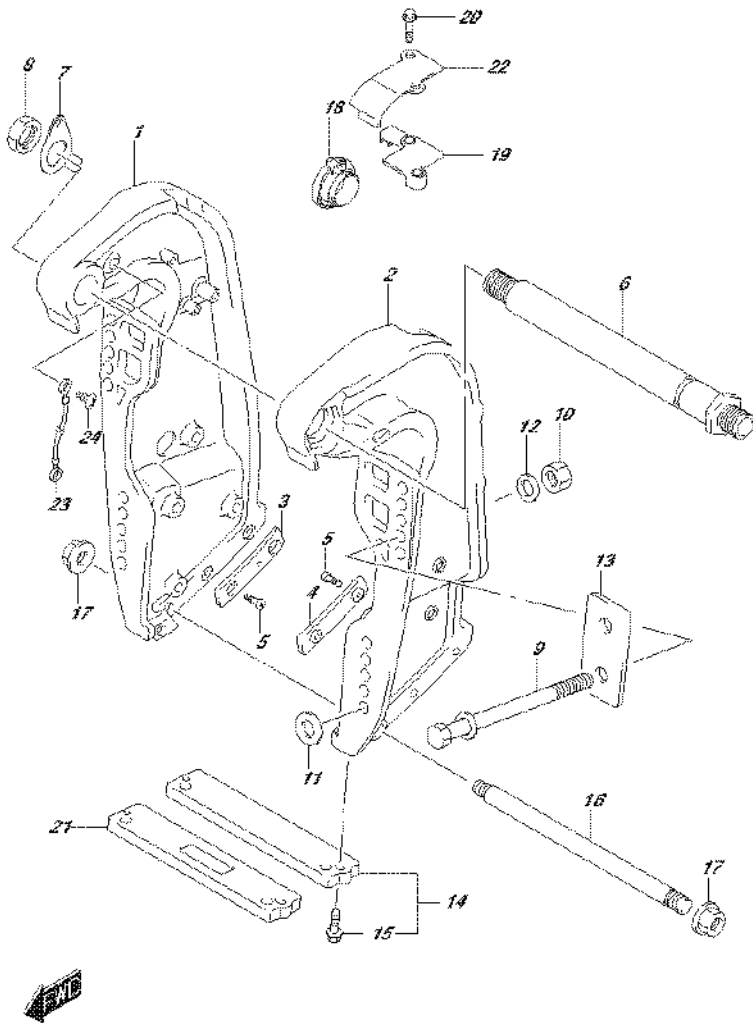


FIG.335D (2-J-5) CLAMP BRACKET TRANSOM(X) (DF200Z E40)

REF NO.	PART NO.	DESCRIPTION	Q'TY	REMARKS
1-1	41111-93J14-0EP	BRACKET, CLAMP STBD (BLACK)	1	
1-2	41111-93J14-Y5S	BRACKET, CLAMP STBD (WHITE)	1	
2-1	41121-93J06-0EP	BRACKET, CLAMP PORT (BLACK)	1	
2-2	41121-93J06-Y5S	BRACKET, CLAMP PORT (WHITE)	1	
3	41117-93J01	PLATE, CLAMP BRKT LOWER STBD	1	
4	41122-93J01	PLATE, CLAMP BRKT LOWER PORT	1	
5	09125-06063	SCREW (6X10)	4	
6	41130-93J12	SHAFT, CLAMP BRKT	1	
7	41135-93J11	WASHER, CLAMP BRACKET SHAFT	1	
8	09159-22006	NUT	1	
9-1	09100-12092	BOLT (12.7X75)	1	OPT
9-2	09100-12086	BOLT (12.7X150)	6	
9-3	09100-12085	BOLT (12.7X115)	1	OPT
10	09159-12062	NUT	6	
11	09160-13022	WASHER (13.2X45X3)	4	
12	09160-13021	WASHER (13.2X26X3)	6	
13	41155-93J02	PLATE, TRANSOM	2	
14	55320-94900	ZINC SET, PROTECTION	1	
15	09116-06121	.BOLT (6X25)	2	
16	45421-87D02	PIN, TILT LOCK	1	
17	09159-14020	NUT	2	
18	48140-93J01	CAM, TILT LIMIT SWITCH	1	
19	48144-93J00	HOLDER, TILT LIMIT SWITCH	1	
20	09103-06278	BOLT (6X25)	2	
21	55321-94910	ANODE (MAGNESIUM)	1	OPT
22	48145-93J00	COVER, TILT LIMIT SWITCH	1	
23	36894-87D00	LEAD (CLAMP TO SWIVEL)	1	
24	09125-06063	SCREW (6X10)	2	

FIG.335E



DF250_E01_016_335E
CLAMP BRACKET

FIG.335E (2-J-6) CLAMP BRACKET TRANSOM(X,XX) (DF225T E01)

REF NO.	PART NO.	DESCRIPTION	Q'TY	REMARKS
1-1	41111-93J14-0EP	BRACKET, CLAMP STBD (BLACK)	1	
1-2	41111-93J14-Y5S	BRACKET, CLAMP STBD (WHITE)	1	
2-1	41121-93J06-0EP	BRACKET, CLAMP PORT (BLACK)	1	
2-2	41121-93J06-Y5S	BRACKET, CLAMP PORT (WHITE)	1	
3	41117-93J01	PLATE, CLAMP BRKT LOWER STBD	1	
4	41122-93J01	PLATE, CLAMP BRKT LOWER PORT	1	
5	09125-06063	SCREW (6X10)	4	
6	41130-93J12	SHAFT, CLAMP BRKT	1	
7	41135-93J11	WASHER, CLAMP BRACKET SHAFT	1	
8	09159-22006	NUT	1	
9-1	09100-12092	BOLT (12.7X75)	1	OPT
9-2	09100-12086	BOLT (12.7X150)	6	
9-3	09100-12085	BOLT (12.7X115)	1	OPT
10	09159-12062	NUT	6	
11	09160-13022	WASHER (13.2X45X3)	4	
12	09160-13021	WASHER (13.2X26X3)	6	
13	41155-93J02	PLATE, TRANSOM	2	
14	55320-94900	ZINC SET, PROTECTION	1	
15	09116-06121	.BOLT (6X25)	2	
16	45421-87D02	PIN, TILT LOCK	1	
17	09159-14020	NUT	2	
18	48140-93J01	CAM, TILT LIMIT SWITCH	1	
19	48144-93J00	HOLDER, TILT LIMIT SWITCH	1	
20	09103-06278	BOLT (6X25)	2	
21	55321-94910	ANODE (MAGNESIUM)	1	OPT
22	48145-93J00	COVER, TILT LIMIT SWITCH	1	
23	36894-87D00	LEAD (CLAMP TO SWIVEL)	1	
24	09125-06063	SCREW (6X10)	2	

DF250_E01_016

FIG.335F

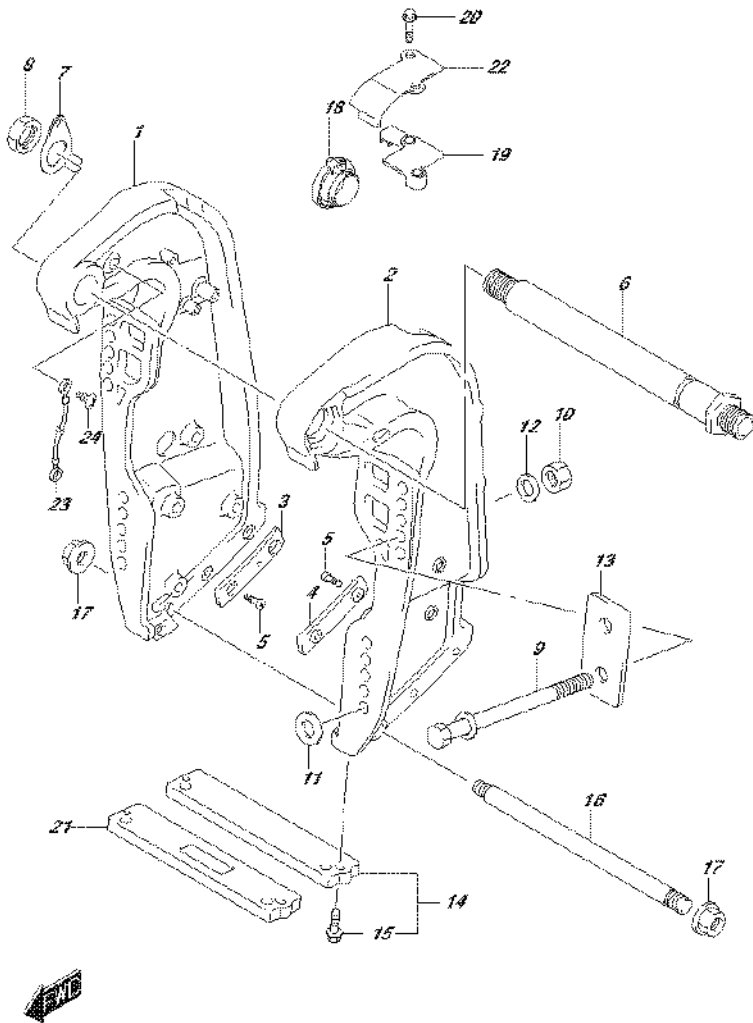


FIG.335F (2-J-7) CLAMP BRACKET TRANSOM(X,XX) (DF225T E40)

REF NO.	PART NO.	DESCRIPTION	Q'TY	REMARKS
1-1	41111-93J14-0EP	BRACKET, CLAMP STBD (BLACK)	1	
1-2	41111-93J14-Y5S	BRACKET, CLAMP STBD (WHITE)	1	
2-1	41121-93J06-0EP	BRACKET, CLAMP PORT (BLACK)	1	
2-2	41121-93J06-Y5S	BRACKET, CLAMP PORT (WHITE)	1	
3	41117-93J01	PLATE, CLAMP BRKT LOWER STBD	1	
4	41122-93J01	PLATE, CLAMP BRKT LOWER PORT	1	
5	09125-06063	SCREW (6X10)	4	
6	41130-93J12	SHAFT, CLAMP BRKT	1	
7	41135-93J11	WASHER, CLAMP BRACKET SHAFT	1	
8	09159-22006	NUT	1	
9-1	09100-12092	BOLT (12.7X75)	1	OPT
9-2	09100-12086	BOLT (12.7X150)	6	
9-3	09100-12085	BOLT (12.7X115)	1	OPT
10	09159-12062	NUT	6	
11	09160-13022	WASHER (13.2X45X3)	4	
12	09160-13021	WASHER (13.2X26X3)	6	
13	41155-93J02	PLATE, TRANSOM	2	
14	55320-94900	ZINC SET, PROTECTION	1	
15	09116-06121	.BOLT (6X25)	2	
16	45421-87D02	PIN, TILT LOCK	1	
17	09159-14020	NUT	2	
18	48140-93J01	CAM, TILT LIMIT SWITCH	1	
19	48144-93J00	HOLDER, TILT LIMIT SWITCH	1	
20	09103-06278	BOLT (6X25)	2	
21	55321-94910	ANODE (MAGNESIUM)	1	OPT
22	48145-93J00	COVER, TILT LIMIT SWITCH	1	
23	36894-87D00	LEAD (CLAMP TO SWIVEL)	1	
24	09125-06063	SCREW (6X10)	2	

FIG.335G

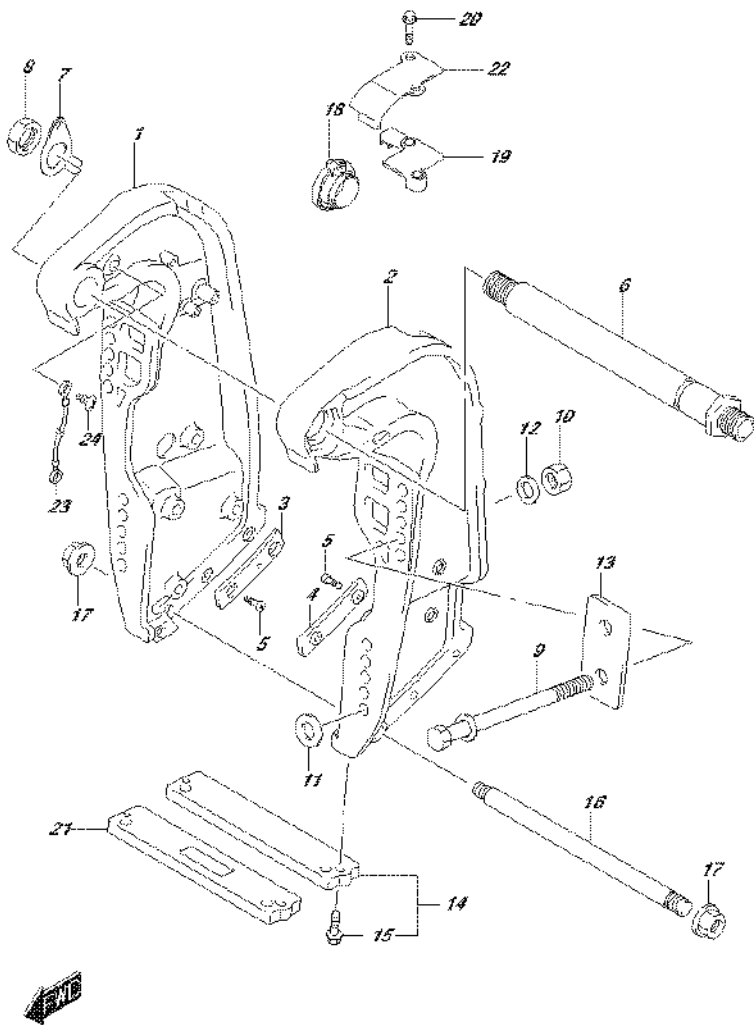


FIG.335G (2-J-8) CLAMP BRACKET TRANSOM(X,XX) (DF25Z E01)

REF NO.	PART NO.	DESCRIPTION	Q'TY	REMARKS
1-1	41111-93J14-0EP	BRACKET, CLAMP STBD (BLACK)	1	
1-2	41111-93J14-Y5S	BRACKET, CLAMP STBD (WHITE)	1	
2-1	41121-93J06-0EP	BRACKET, CLAMP PORT (BLACK)	1	
2-2	41121-93J06-Y5S	BRACKET, CLAMP PORT (WHITE)	1	
3	41117-93J01	PLATE, CLAMP BRKT LOWER STBD	1	
4	41122-93J01	PLATE, CLAMP BRKT LOWER PORT	1	
5	09125-06063	SCREW (6X10)	4	
6	41130-93J12	SHAFT, CLAMP BRKT	1	
7	41135-93J11	WASHER, CLAMP BRACKET SHAFT	1	
8	09159-22006	NUT	1	
9-1	09100-12092	BOLT (12.7X75)	1	OPT
9-2	09100-12086	BOLT (12.7X150)	6	
9-3	09100-12085	BOLT (12.7X115)	1	OPT
10	09159-12062	NUT	6	
11	09160-13022	WASHER (13.2X45X3)	4	
12	09160-13021	WASHER (13.2X26X3)	6	
13	41155-93J02	PLATE, TRANSOM	2	
14	55320-94900	ZINC SET, PROTECTION	1	
15	09116-06121	.BOLT (6X25)	2	
16	45421-87D02	PIN, TILT LOCK	1	
17	09159-14020	NUT	2	
18	48140-93J01	CAM, TILT LIMIT SWITCH	1	
19	48144-93J00	HOLDER, TILT LIMIT SWITCH	1	
20	09103-06278	BOLT (6X25)	2	
21	55321-94910	ANODE (MAGNESIUM)	1	OPT
22	48145-93J00	COVER, TILT LIMIT SWITCH	1	
23	36894-87D00	LEAD (CLAMP TO SWIVEL)	1	
24	09125-06063	SCREW (6X10)	2	

FIG.335H

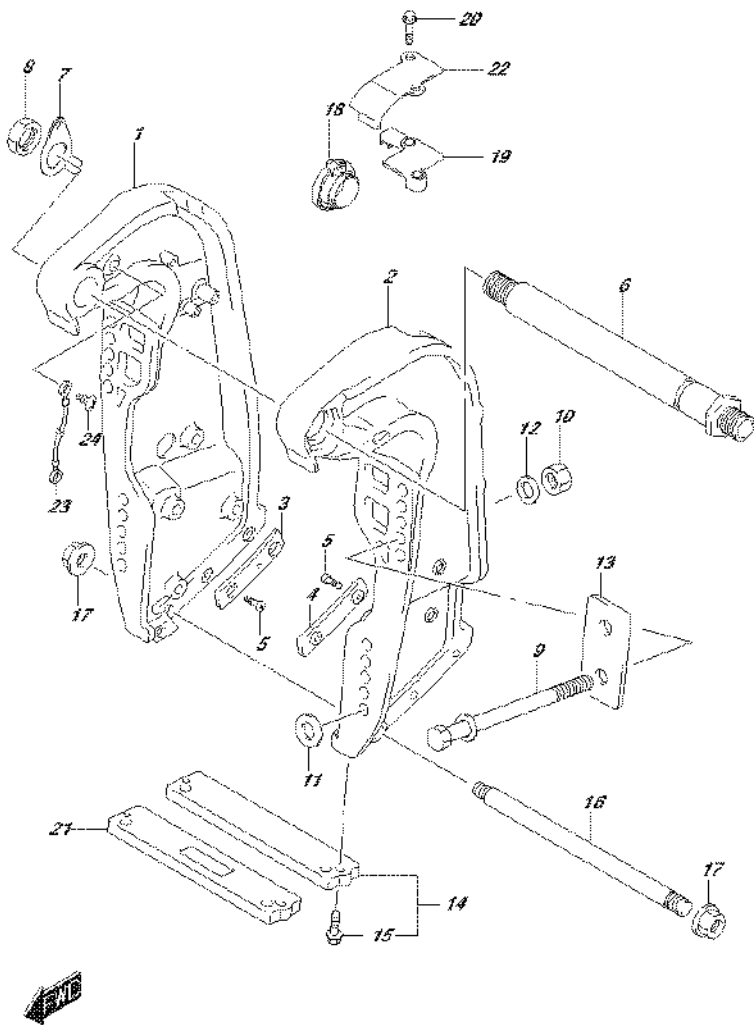


FIG.335H (2-J-9) CLAMP BRACKET TRANSOM(X,XX) (DF225Z E40)

REF NO.	PART NO.	DESCRIPTION	Q'TY	REMARKS
1-1	41111-93J14-0EP	BRACKET, CLAMP STBD (BLACK)	1	
1-2	41111-93J14-Y5S	BRACKET, CLAMP STBD (WHITE)	1	
2-1	41121-93J06-0EP	BRACKET, CLAMP PORT (BLACK)	1	
2-2	41121-93J06-Y5S	BRACKET, CLAMP PORT (WHITE)	1	
3	41117-93J01	PLATE, CLAMP BRKT LOWER STBD	1	
4	41122-93J01	PLATE, CLAMP BRKT LOWER PORT	1	
5	09125-06063	SCREW (6X10)	4	
6	41130-93J12	SHAFT, CLAMP BRKT	1	
7	41135-93J11	WASHER, CLAMP BRACKET SHAFT	1	
8	09159-22006	NUT	1	
9-1	09100-12092	BOLT (12.7X75)	1	OPT
9-2	09100-12086	BOLT (12.7X150)	6	
9-3	09100-12085	BOLT (12.7X115)	1	OPT
10	09159-12062	NUT	6	
11	09160-13022	WASHER (13.2X45X3)	4	
12	09160-13021	WASHER (13.2X26X3)	6	
13	41155-93J02	PLATE, TRANSOM	2	
14	55320-94900	ZINC SET, PROTECTION	1	
15	09116-06121	.BOLT (6X25)	2	
16	45421-87D02	PIN, TILT LOCK	1	
17	09159-14020	NUT	2	
18	48140-93J01	CAM, TILT LIMIT SWITCH	1	
19	48144-93J00	HOLDER, TILT LIMIT SWITCH	1	
20	09103-06278	BOLT (6X25)	2	
21	55321-94910	ANODE (MAGNESIUM)	1	OPT
22	48145-93J00	COVER, TILT LIMIT SWITCH	1	
23	36894-87D00	LEAD (CLAMP TO SWIVEL)	1	
24	09125-06063	SCREW (6X10)	2	

FIG.335J

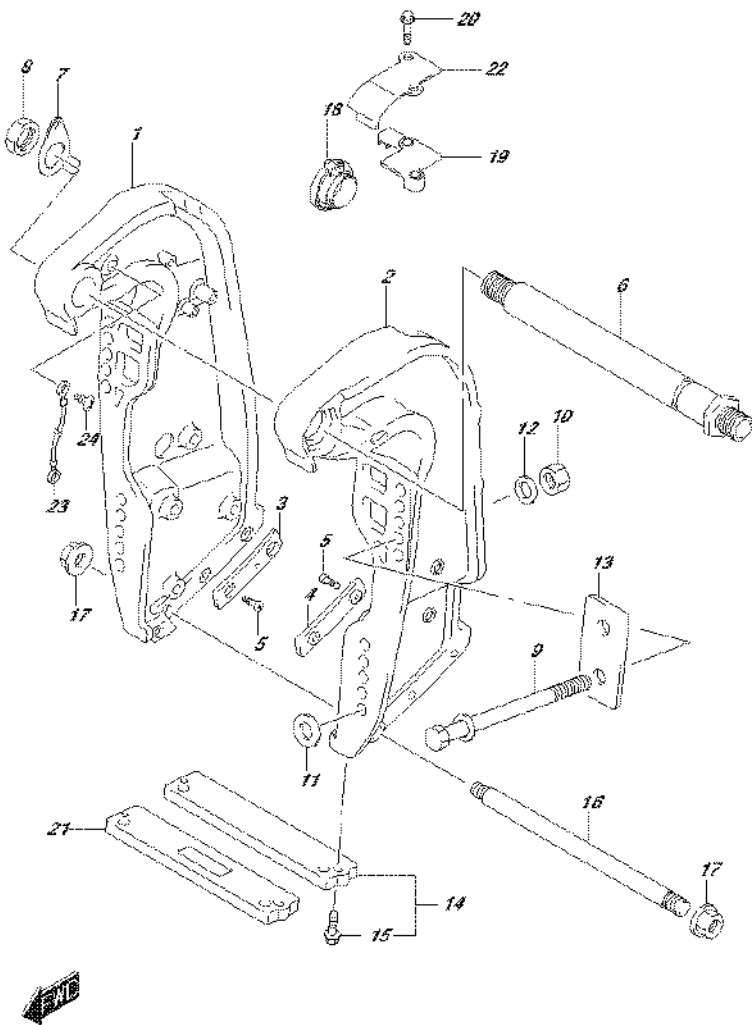


FIG.335J (2-J-10) CLAMP BRACKET TRANSOM(X,XX) (DF250T E01)

REF NO.	PART NO.	DESCRIPTION	Q'TY	REMARKS
1-1	41111-93J14-0EP	BRACKET, CLAMP STBD (BLACK)	1	
1-2	41111-93J14-Y5S	BRACKET, CLAMP STBD (WHITE)	1	
2-1	41121-93J06-0EP	BRACKET, CLAMP PORT (BLACK)	1	
2-2	41121-93J06-Y5S	BRACKET, CLAMP PORT (WHITE)	1	
3	41117-93J01	PLATE, CLAMP BRKT LOWER STBD	1	
4	41122-93J01	PLATE, CLAMP BRKT LOWER PORT	1	
5	09125-06063	SCREW (6X10)	4	
6	41130-93J12	SHAFT, CLAMP BRKT	1	
7	41135-93J11	WASHER, CLAMP BRACKET SHAFT	1	
8	09159-22006	NUT	1	
9-1	09100-12092	BOLT (12.7X75)	1	OPT
9-2	09100-12086	BOLT (12.7X150)	6	
9-3	09100-12085	BOLT (12.7X115)	1	OPT
10	09159-12062	NUT	6	
11	09160-13022	WASHER (13.2X45X3)	4	
12	09160-13021	WASHER (13.2X26X3)	6	
13	41155-93J02	PLATE, TRANSOM	2	
14	55320-94900	ZINC SET, PROTECTION	1	
15	09116-06121	.BOLT (6X25)	2	
16	45421-87D02	PIN, TILT LOCK	1	
17	09159-14020	NUT	2	
18	48140-93J01	CAM, TILT LIMIT SWITCH	1	
19	48144-93J00	HOLDER, TILT LIMIT SWITCH	1	
20	09103-06278	BOLT (6X25)	2	
21	55321-94910	ANODE (MAGNESIUM)	1	OPT
22	48145-93J00	COVER, TILT LIMIT SWITCH	1	
23	36894-87D00	LEAD (CLAMP TO SWIVEL)	1	
24	09125-06063	SCREW (6X10)	2	

FIG.335K

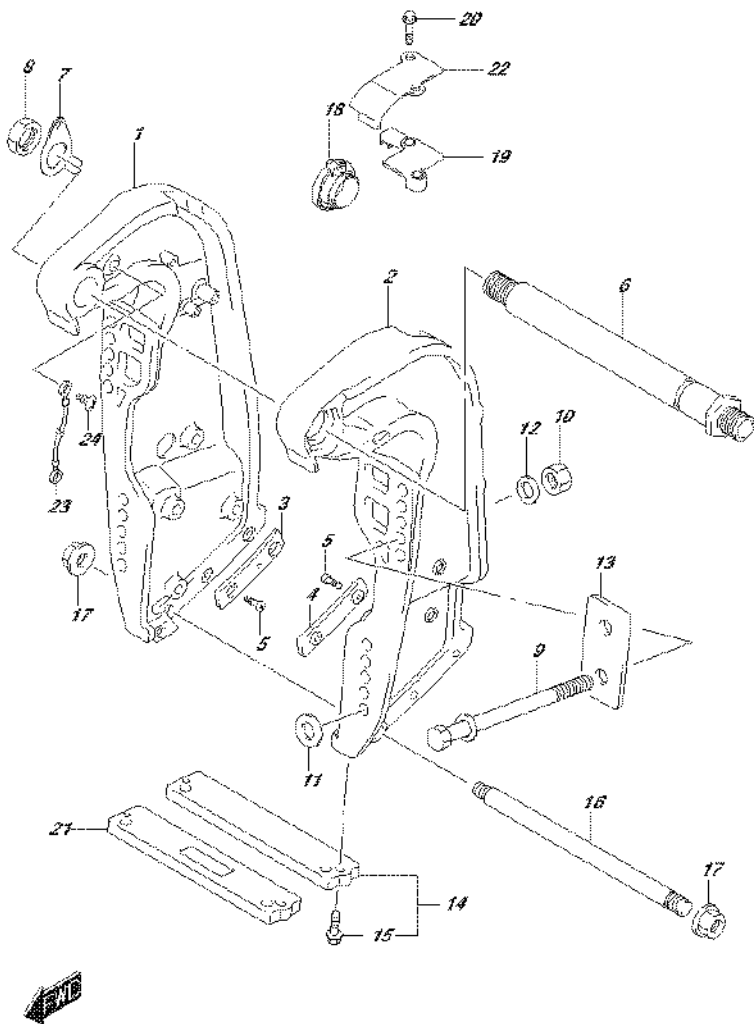


FIG.335K (2-J-11) CLAMP BRACKET TRANSOM(X,XX) (DF250T E40)

REF NO.	PART NO.	DESCRIPTION	Q'TY	REMARKS
1-1	41111-93J14-0EP	BRACKET, CLAMP STBD (BLACK)	1	
1-2	41111-93J14-Y5S	BRACKET, CLAMP STBD (WHITE)	1	
2-1	41121-93J06-0EP	BRACKET, CLAMP PORT (BLACK)	1	
2-2	41121-93J06-Y5S	BRACKET, CLAMP PORT (WHITE)	1	
3	41117-93J01	PLATE, CLAMP BRKT LOWER STBD	1	
4	41122-93J01	PLATE, CLAMP BRKT LOWER PORT	1	
5	09125-06063	SCREW (6X10)	4	
6	41130-93J12	SHAFT, CLAMP BRKT	1	
7	41135-93J11	WASHER, CLAMP BRACKET SHAFT	1	
8	09159-22006	NUT	1	
9-1	09100-12092	BOLT (12.7X75)	1	OPT
9-2	09100-12086	BOLT (12.7X150)	6	
9-3	09100-12085	BOLT (12.7X115)	1	OPT
10	09159-12062	NUT	6	
11	09160-13022	WASHER (13.2X45X3)	4	
12	09160-13021	WASHER (13.2X26X3)	6	
13	41155-93J02	PLATE, TRANSOM	2	
14	55320-94900	ZINC SET, PROTECTION	1	
15	09116-06121	.BOLT (6X25)	2	
16	45421-87D02	PIN, TILT LOCK	1	
17	09159-14020	NUT	2	
18	48140-93J01	CAM, TILT LIMIT SWITCH	1	
19	48144-93J00	HOLDER, TILT LIMIT SWITCH	1	
20	09103-06278	BOLT (6X25)	2	
21	55321-94910	ANODE (MAGNESIUM)	1	OPT
22	48145-93J00	COVER, TILT LIMIT SWITCH	1	
23	36894-87D00	LEAD (CLAMP TO SWIVEL)	1	
24	09125-06063	SCREW (6X10)	2	

FIG.335L

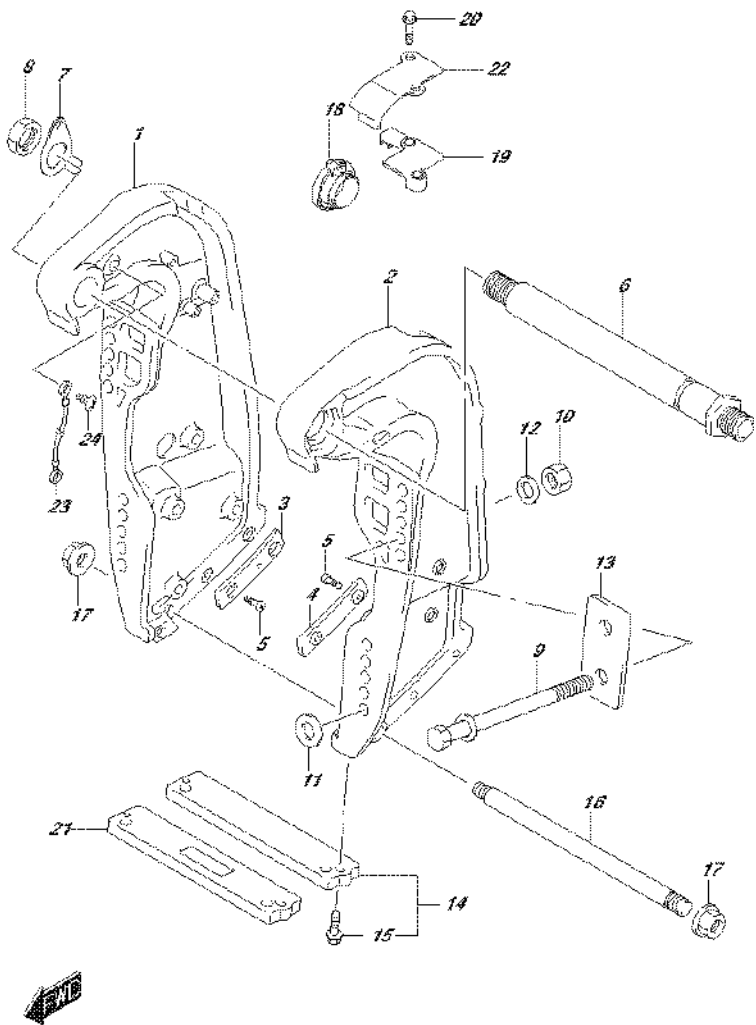


FIG.335L (2-J-12) CLAMP BRACKET TRANSOM(X,XX) (DF250Z E01)

REF NO.	PART NO.	DESCRIPTION	Q'TY	REMARKS
1-1	41111-93J14-0EP	BRACKET, CLAMP STBD (BLACK)	1	
1-2	41111-93J14-Y5S	BRACKET, CLAMP STBD (WHITE)	1	
2-1	41121-93J06-0EP	BRACKET, CLAMP PORT (BLACK)	1	
2-2	41121-93J06-Y5S	BRACKET, CLAMP PORT (WHITE)	1	
3	41117-93J01	PLATE, CLAMP BRKT LOWER STBD	1	
4	41122-93J01	PLATE, CLAMP BRKT LOWER PORT	1	
5	09125-06063	SCREW (6X10)	4	
6	41130-93J12	SHAFT, CLAMP BRKT	1	
7	41135-93J11	WASHER, CLAMP BRACKET SHAFT	1	
8	09159-22006	NUT	1	
9-1	09100-12092	BOLT (12.7X75)	1	OPT
9-2	09100-12086	BOLT (12.7X150)	6	
9-3	09100-12085	BOLT (12.7X115)	1	OPT
10	09159-12062	NUT	6	
11	09160-13022	WASHER (13.2X45X3)	4	
12	09160-13021	WASHER (13.2X26X3)	6	
13	41155-93J02	PLATE, TRANSOM	2	
14	55320-94900	ZINC SET, PROTECTION	1	
15	09116-06121	.BOLT (6X25)	2	
16	45421-87D02	PIN, TILT LOCK	1	
17	09159-14020	NUT	2	
18	48140-93J01	CAM, TILT LIMIT SWITCH	1	
19	48144-93J00	HOLDER, TILT LIMIT SWITCH	1	
20	09103-06278	BOLT (6X25)	2	
21	55321-94910	ANODE (MAGNESIUM)	1	OPT
22	48145-93J00	COVER, TILT LIMIT SWITCH	1	
23	36894-87D00	LEAD (CLAMP TO SWIVEL)	1	
24	09125-06063	SCREW (6X10)	2	

FIG.335M

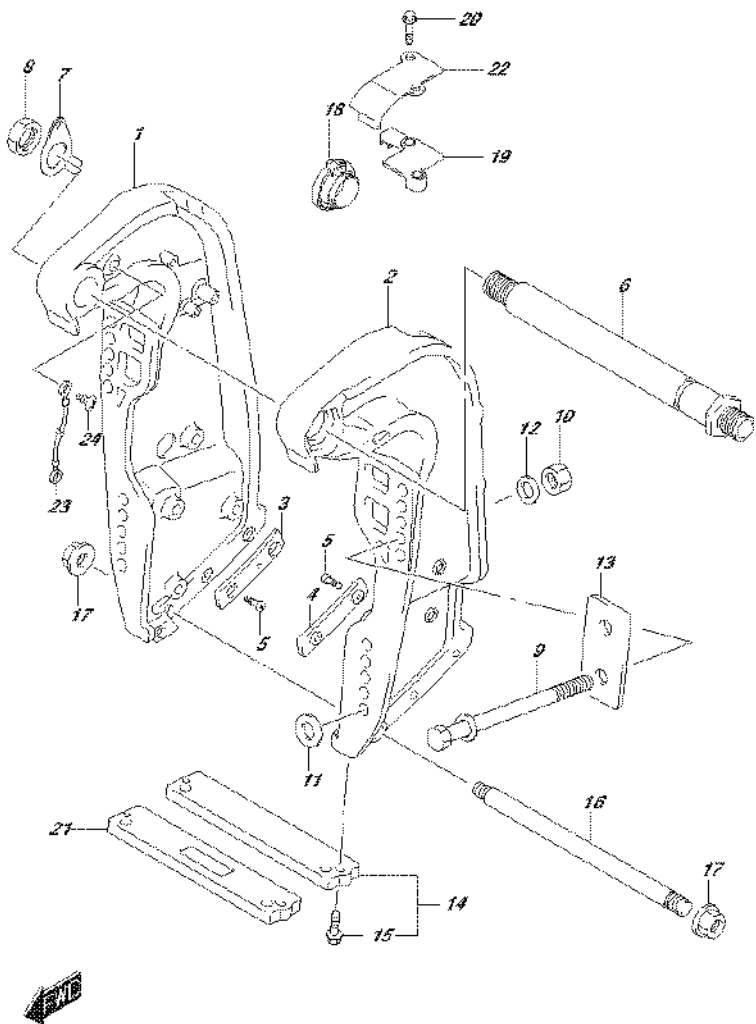
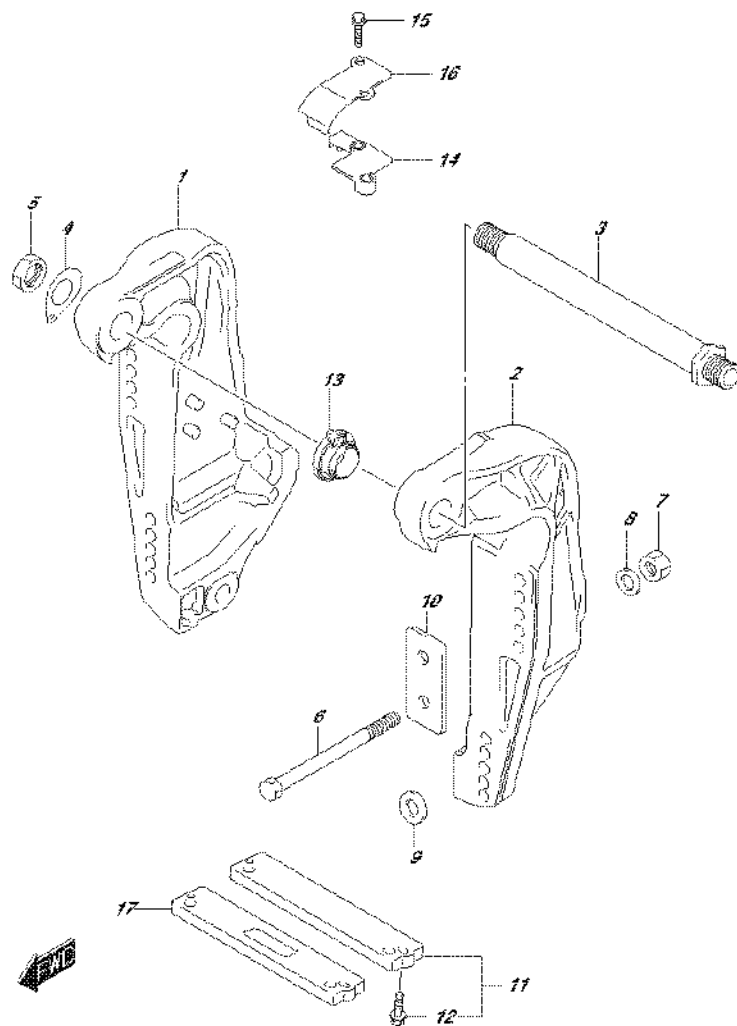


FIG.335M (2-J-13) CLAMP BRACKET TRANSOM(X,XX) (DF250Z E40)

REF NO.	PART NO.	DESCRIPTION	Q'TY	REMARKS
1-1	41111-93J14-0EP	BRACKET, CLAMP STBD (BLACK)	1	
1-2	41111-93J14-Y5S	BRACKET, CLAMP STBD (WHITE)	1	
2-1	41121-93J06-0EP	BRACKET, CLAMP PORT (BLACK)	1	
2-2	41121-93J06-Y5S	BRACKET, CLAMP PORT (WHITE)	1	
3	41117-93J01	PLATE, CLAMP BRKT LOWER STBD	1	
4	41122-93J01	PLATE, CLAMP BRKT LOWER PORT	1	
5	09125-06063	SCREW (6X10)	4	
6	41130-93J12	SHAFT, CLAMP BRKT	1	
7	41135-93J11	WASHER, CLAMP BRACKET SHAFT	1	
8	09159-22006	NUT	1	
9-1	09100-12092	BOLT (12.7X75)	1	OPT
9-2	09100-12086	BOLT (12.7X150)	6	
9-3	09100-12085	BOLT (12.7X115)	1	OPT
10	09159-12062	NUT	6	
11	09160-13022	WASHER (13.2X45X3)	4	
12	09160-13021	WASHER (13.2X26X3)	6	
13	41155-93J02	PLATE, TRANSOM	2	
14	55320-94900	ZINC SET, PROTECTION	1	
15	09116-06121	.BOLT (6X25)	2	
16	45421-87D02	PIN, TILT LOCK	1	
17	09159-14020	NUT	2	
18	48140-93J01	CAM, TILT LIMIT SWITCH	1	
19	48144-93J00	HOLDER, TILT LIMIT SWITCH	1	
20	09103-06278	BOLT (6X25)	2	
21	55321-94910	ANODE (MAGNESIUM)	1	OPT
22	48145-93J00	COVER, TILT LIMIT SWITCH	1	
23	36894-87D00	LEAD (CLAMP TO SWIVEL)	1	
24	09125-06063	SCREW (6X10)	2	

FIG.335N



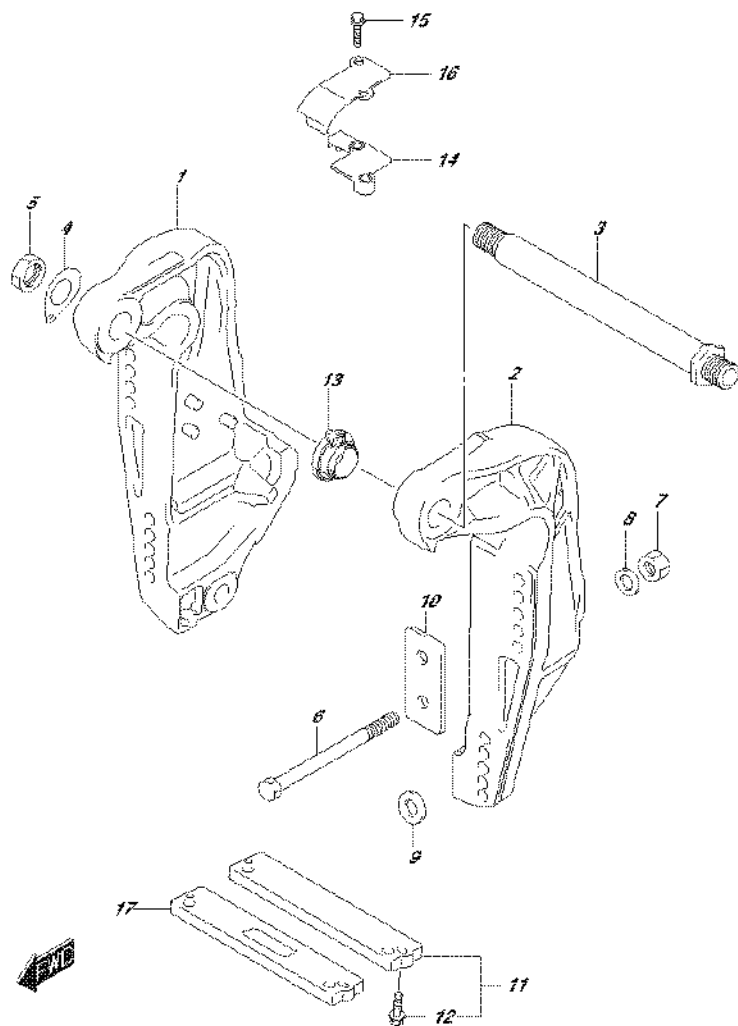
DF250_E01_016_035N
CLAMP BRACKET

FIG.335N (2-J-14) CLAMP BRACKET TRANSOM(L) (DF200T E01)

REF NO.	PART NO.	DESCRIPTION	Q'TY	REMARKS
1-1	41111-96J21-0EP	BRACKET, CLAMP STBD (BLACK)	1	
1-2	41111-96J21-Y5S	BRACKET, CLAMP STBD (WHITE)	1	
2-1	41121-96J12-0EP	BRACKET, CLAMP PORT (BLACK)	1	
2-2	41121-96J12-Y5S	BRACKET, CLAMP PORT (WHITE)	1	
3	41130-92J03	SHAFT, CLAMP BRKT	1	
4	41135-92J00	WASHER, CLAMP BRACKET SHAFT	1	
5	09159-22006	NUT	1	
6-1	09100-12086	BOLT (12.7X150)	6	
6-2	09100-12085	BOLT (12.7X115)	1	OPT
6-3	09100-12092	BOLT (12.7X75)	1	OPT
7	09159-12062	NUT	6	
8	09160-13021	WASHER (13.2X26X3)	6	
9	09160-13022	WASHER (13.2X45X3)	4	
10	41155-93J02	PLATE, TRANSOM	2	
11	55320-94900	ZINC SET, PROTECTION	1	
12	09116-06121	.BOLT (6X25)	2	
13	48140-93J01	CAM, TILT LIMIT SWITCH	1	
14	48144-93J00	HOLDER, TILT LIMIT SWITCH	1	
15	09103-06278	BOLT (6X25)	2	
16	48145-93J00	COVER, TILT LIMIT SWITCH	1	
17	55321-94910	ANODE (MAGNESIUM)	1	OPT

DF250_E01_016

FIG.335P



DF250_E01_016_335P
CLAMP BRACKET

FIG.335P (2-J-15) CLAMP BRACKET TRANSOM(L) (DF200T E40)

REF NO.	PART NO.	DESCRIPTION	Q'TY	REMARKS
1-1	41111-96J21-0EP	BRACKET, CLAMP STBD (BLACK)	1	
1-2	41111-96J21-Y5S	BRACKET, CLAMP STBD (WHITE)	1	
2-1	41121-96J12-0EP	BRACKET, CLAMP PORT (BLACK)	1	
2-2	41121-96J12-Y5S	BRACKET, CLAMP PORT (WHITE)	1	
3	41130-92J03	SHAFT, CLAMP BRKT	1	
4	41135-92J00	WASHER, CLAMP BRACKET SHAFT	1	
5	09159-22006	NUT	1	
6-1	09100-12086	BOLT (12.7X150)	6	
6-2	09100-12085	BOLT (12.7X115)	1	OPT
6-3	09100-12092	BOLT (12.7X75)	1	OPT
7	09159-12062	NUT	6	
8	09160-13021	WASHER (13.2X26X3)	6	
9	09160-13022	WASHER (13.2X45X3)	4	
10	41155-93J02	PLATE, TRANSOM	2	
11	55320-94900	ZINC SET, PROTECTION	1	
12	09116-06121	.BOLT (6X25)	2	
13	48140-93J01	CAM, TILT LIMIT SWITCH	1	
14	48144-93J00	HOLDER, TILT LIMIT SWITCH	1	
15	09103-06278	BOLT (6X25)	2	
16	48145-93J00	COVER, TILT LIMIT SWITCH	1	
17	55321-94910	ANODE (MAGNESIUM)	1	OPT

DF250_E01_016

FIG.336A

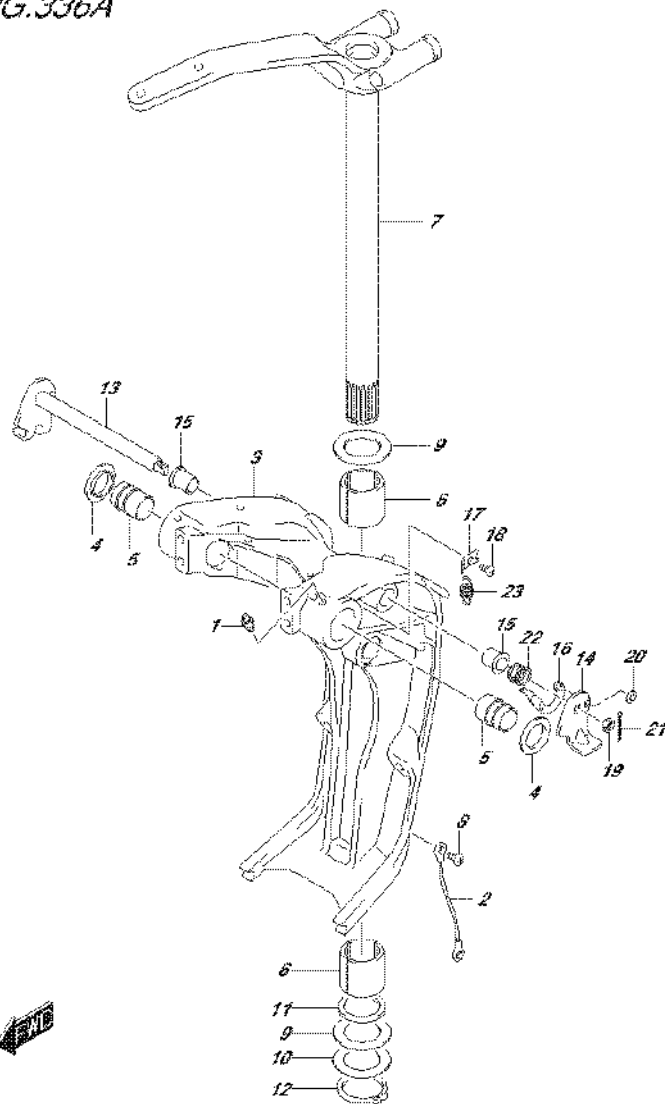


FIG.336A (2-K-2) SWIVEL BRACKET TRANSOM(X,XX) (DF200T E01)

REF NO.	PART NO.	DESCRIPTION	Q'TY	REMARKS
1	22511-99011	NIPPLE, GREASE SWIVEL BRKT	4	
2	36894-87D00	LEAD (SWIVEL TO MOUNT BRKT)	1	
3-1	43111-93J23-0EP	BRACKET, SWIVEL (BLACK)	1	
3-2	43111-93J23-Y5S	BRACKET, SWIVEL (WHITE)	1	
4	43114-93J00	WASHER, SWIVEL TO CLAMP BRKT	2	
5	43211-93J00	BUSH, CLAMP SHAFT SWIVEL	2	
6	43711-97E01	BUSH, STEERING	2	
7-1	43750-93J20-0EP	BRACKET, STEERING (BLACK)	1	
7-2	43750-93J20-Y5S	BRACKET, STEERING (WHITE)	1	
8	09125-06063	SCREW (6X10)	1	
9	09160-39001	WASHER (39.5X64X1)	2	
10	09181-39001	SHIM (39.5X64X0.3)	4	
11	09282-39001	OIL SEAL (39X51X5)	1	
12	09380-38003	CIRCLIP	1	
13	41220-93J11	LEVER, TILT LOCK	1	
14	41234-93J11	LEVER, TILT LOCK PORT	1	
15	41224-95E01	BUSH, TILT STOPPER ROD	2	
16	41230-96J00	LINK, TILT LOCK LEVER	1	
17	41233-95E10	BRACKET, TILT LOCK SPRING	1	
18	09125-06063	SCREW (6X10)	1	
19	09140-10032	NUT	1	
20	09160-06082	WASHER (6.5X13X1.0)	1	
21	09204-01006	PIN	1	
22	09440-19028	SPRING	1	
23	09443-10043	SPRING	1	

FIG.336B

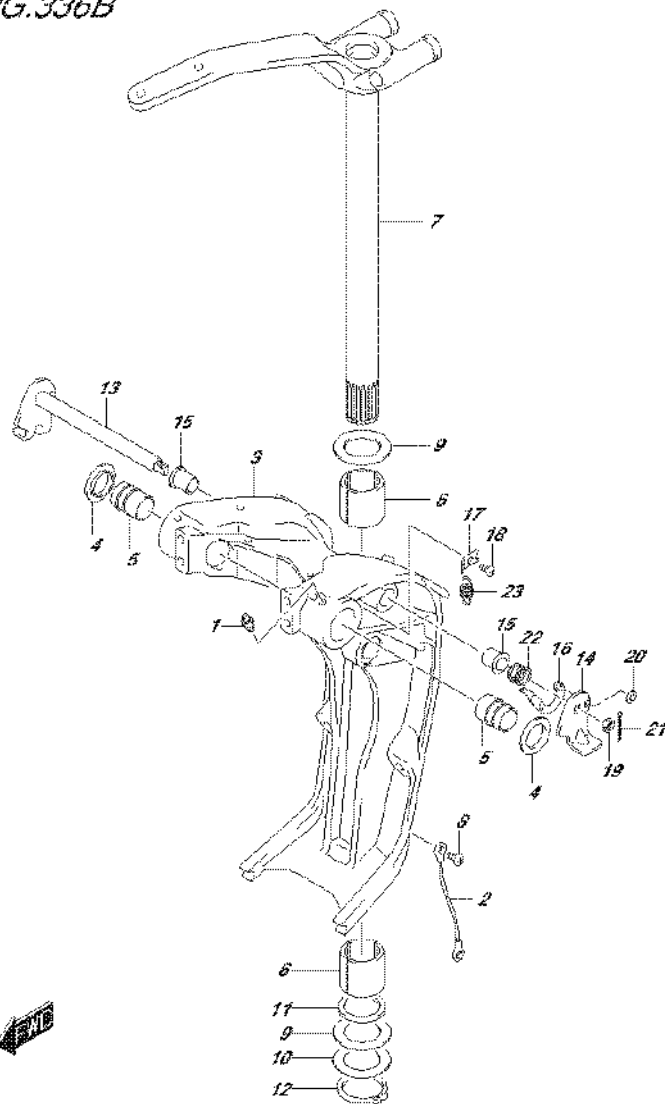


FIG.336B (2-K-3) SWIVEL BRACKET TRANSOM(X) (DF200T E40)

REF NO.	PART NO.	DESCRIPTION	Q'TY	REMARKS
1	22511-99011	NIPPLE, GREASE SWIVEL BRKT	4	
2	36894-87D00	LEAD (SWIVEL TO MOUNT BRKT)	1	
3-1	43111-93J23-0EP	BRACKET, SWIVEL (BLACK)	1	
3-2	43111-93J23-Y5S	BRACKET, SWIVEL (WHITE)	1	
4	43114-93J00	WASHER, SWIVEL TO CLAMP BRKT	2	
5	43211-93J00	BUSH, CLAMP SHAFT SWIVEL	2	
6	43711-97E01	BUSH, STEERING	2	
7-1	43750-93J20-0EP	BRACKET, STEERING (BLACK)	1	
7-2	43750-93J20-Y5S	BRACKET, STEERING (WHITE)	1	
8	09125-06063	SCREW (6X10)	1	
9	09160-39001	WASHER (39.5X64X1)	2	
10	09181-39001	SHIM (39.5X64X0.3)	4	
11	09282-39001	OIL SEAL (39X51X5)	1	
12	09380-38003	CIRCLIP	1	
13	41220-93J11	LEVER, TILT LOCK	1	
14	41234-93J11	LEVER, TILT LOCK PORT	1	
15	41224-95E01	BUSH, TILT STOPPER ROD	2	
16	41230-96J00	LINK, TILT LOCK LEVER	1	
17	41233-95E10	BRACKET, TILT LOCK SPRING	1	
18	09125-06063	SCREW (6X10)	1	
19	09140-10032	NUT	1	
20	09160-06082	WASHER (6.5X13X1.0)	1	
21	09204-01006	PIN	1	
22	09440-19028	SPRING	1	
23	09443-10043	SPRING	1	

FIG.336C

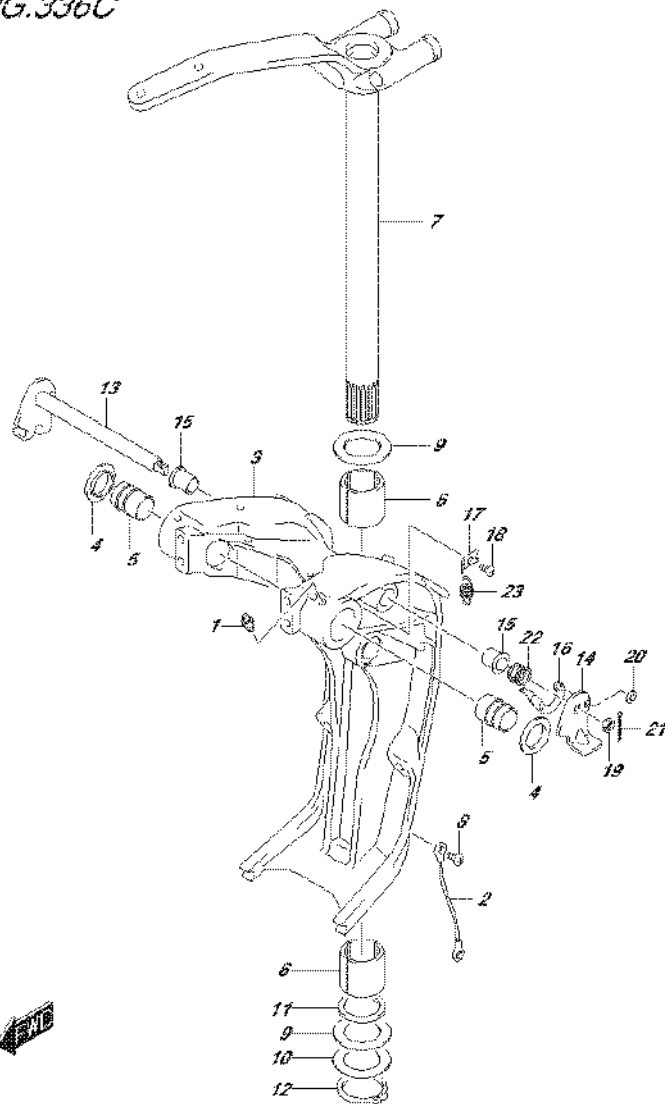


FIG.336C (2-K-4) SWIVEL BRACKET TRANSOM(X,XX) (DF200Z E01)

REF NO.	PART NO.	DESCRIPTION	Q'TY	REMARKS
1	22511-99011	NIPPLE, GREASE SWIVEL BRKT	4	
2	36894-87D00	LEAD (SWIVEL TO MOUNT BRKT)	1	
3-1	43111-93J23-0EP	BRACKET, SWIVEL (BLACK)	1	
3-2	43111-93J23-Y5S	BRACKET, SWIVEL (WHITE)	1	
4	43114-93J00	WASHER, SWIVEL TO CLAMP BRKT	2	
5	43211-93J00	BUSH, CLAMP SHAFT SWIVEL	2	
6	43711-97E01	BUSH, STEERING	2	
7-1	43750-93J20-0EP	BRACKET, STEERING (BLACK)	1	
7-2	43750-93J20-Y5S	BRACKET, STEERING (WHITE)	1	
8	09125-06063	SCREW (6X10)	1	
9	09160-39001	WASHER (39.5X64X1)	2	
10	09181-39001	SHIM (39.5X64X0.3)	4	
11	09282-39001	OIL SEAL (39X51X5)	1	
12	09380-38003	CIRCLIP	1	
13	41220-93J11	LEVER, TILT LOCK	1	
14	41234-93J11	LEVER, TILT LOCK PORT	1	
15	41224-95E01	BUSH, TILT STOPPER ROD	2	
16	41230-96J00	LINK, TILT LOCK LEVER	1	
17	41233-95E10	BRACKET, TILT LOCK SPRING	1	
18	09125-06063	SCREW (6X10)	1	
19	09140-10032	NUT	1	
20	09160-06082	WASHER (6.5X13X1.0)	1	
21	09204-01006	PIN	1	
22	09440-19028	SPRING	1	
23	09443-10043	SPRING	1	

FIG.336D

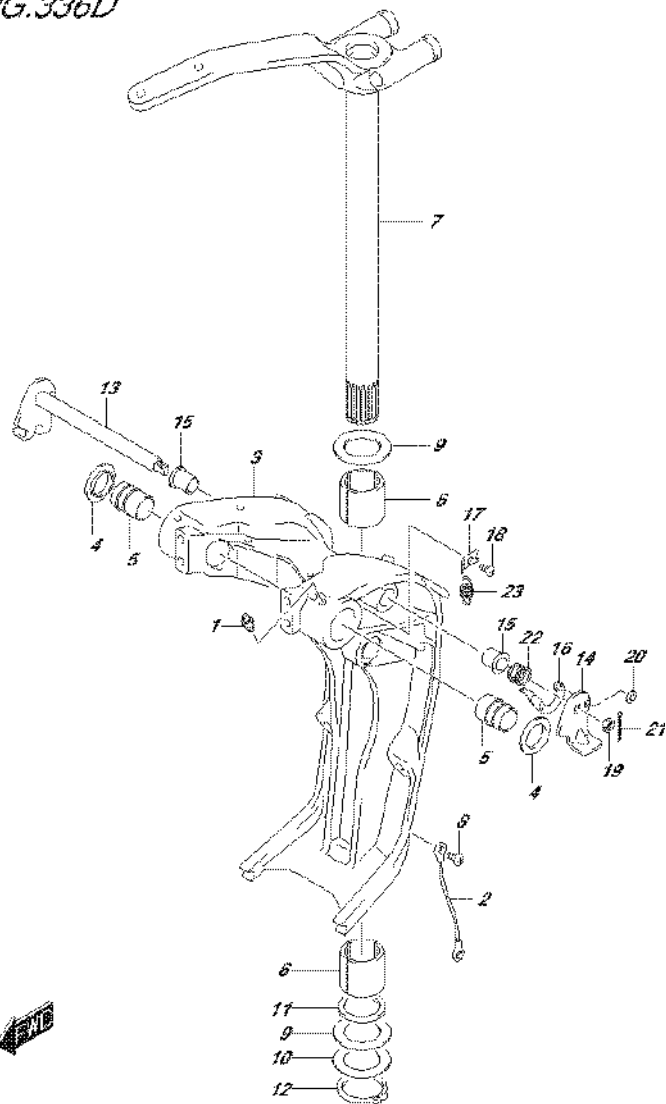


FIG.336D (2-K-5) SWIVEL BRACKET TRANSOM(X) (DF200Z E40)

REF NO.	PART NO.	DESCRIPTION	Q'TY	REMARKS
1	22511-99011	NIPPLE, GREASE SWIVEL BRKT	4	
2	36894-87D00	LEAD (SWIVEL TO MOUNT BRKT)	1	
3-1	43111-93J23-0EP	BRACKET, SWIVEL (BLACK)	1	
3-2	43111-93J23-Y5S	BRACKET, SWIVEL (WHITE)	1	
4	43114-93J00	WASHER, SWIVEL TO CLAMP BRKT	2	
5	43211-93J00	BUSH, CLAMP SHAFT SWIVEL	2	
6	43711-97E01	BUSH, STEERING	2	
7-1	43750-93J20-0EP	BRACKET, STEERING (BLACK)	1	
7-2	43750-93J20-Y5S	BRACKET, STEERING (WHITE)	1	
8	09125-06063	SCREW (6X10)	1	
9	09160-39001	WASHER (39.5X64X1)	2	
10	09181-39001	SHIM (39.5X64X0.3)	4	
11	09282-39001	OIL SEAL (39X51X5)	1	
12	09380-38003	CIRCLIP	1	
13	41220-93J11	LEVER, TILT LOCK	1	
14	41234-93J11	LEVER, TILT LOCK PORT	1	
15	41224-95E01	BUSH, TILT STOPPER ROD	2	
16	41230-96J00	LINK, TILT LOCK LEVER	1	
17	41233-95E10	BRACKET, TILT LOCK SPRING	1	
18	09125-06063	SCREW (6X10)	1	
19	09140-10032	NUT	1	
20	09160-06082	WASHER (6.5X13X1.0)	1	
21	09204-01006	PIN	1	
22	09440-19028	SPRING	1	
23	09443-10043	SPRING	1	

FIG.336E

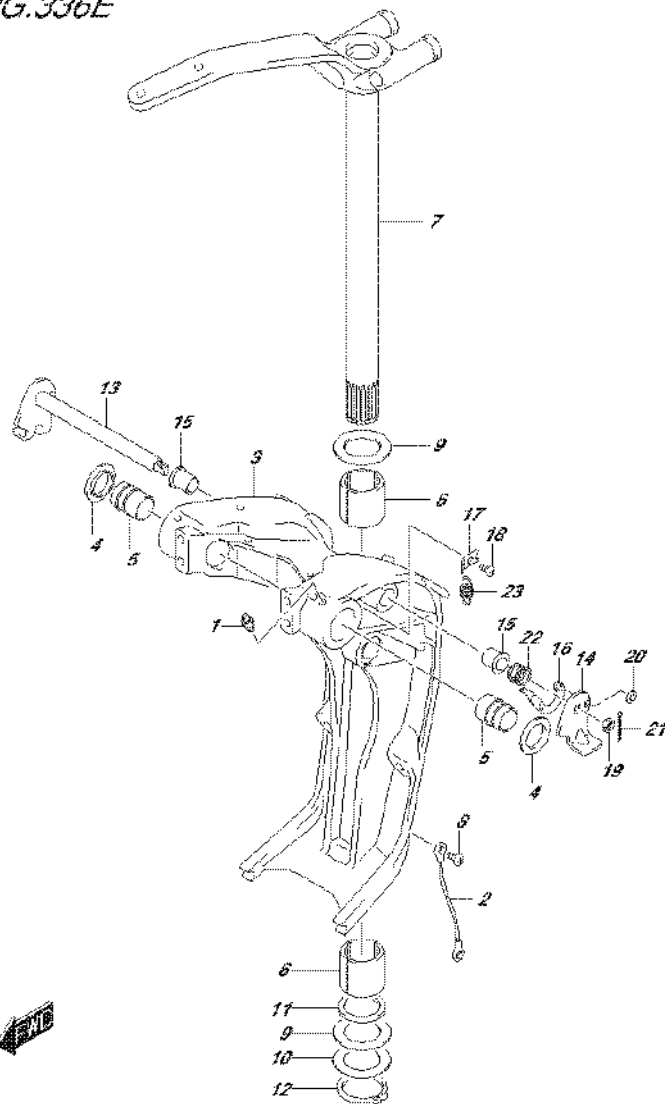


FIG.336E (2-K-6) SWIVEL BRACKET TRANSOM(X,XX) (DF225T E01)

REF NO.	PART NO.	DESCRIPTION	Q'TY	REMARKS
1	22511-99011	NIPPLE, GREASE SWIVEL BRKT	4	
2	36894-87D00	LEAD (SWIVEL TO MOUNT BRKT)	1	
3-1	43111-93J23-0EP	BRACKET, SWIVEL (BLACK)	1	
3-2	43111-93J23-Y5S	BRACKET, SWIVEL (WHITE)	1	
4	43114-93J00	WASHER, SWIVEL TO CLAMP BRKT	2	
5	43211-93J00	BUSH, CLAMP SHAFT SWIVEL	2	
6	43711-97E01	BUSH, STEERING	2	
7-1	43750-93J20-0EP	BRACKET, STEERING (BLACK)	1	
7-2	43750-93J20-Y5S	BRACKET, STEERING (WHITE)	1	
8	09125-06063	SCREW (6X10)	1	
9	09160-39001	WASHER (39.5X64X1)	2	
10	09181-39001	SHIM (39.5X64X0.3)	4	
11	09282-39001	OIL SEAL (39X51X5)	1	
12	09380-38003	CIRCLIP	1	
13	41220-93J11	LEVER, TILT LOCK	1	
14	41234-93J11	LEVER, TILT LOCK PORT	1	
15	41224-95E01	BUSH, TILT STOPPER ROD	2	
16	41230-96J00	LINK, TILT LOCK LEVER	1	
17	41233-95E10	BRACKET, TILT LOCK SPRING	1	
18	09125-06063	SCREW (6X10)	1	
19	09140-10032	NUT	1	
20	09160-06082	WASHER (6.5X13X1.0)	1	
21	09204-01006	PIN	1	
22	09440-19028	SPRING	1	
23	09443-10043	SPRING	1	

FIG.336F

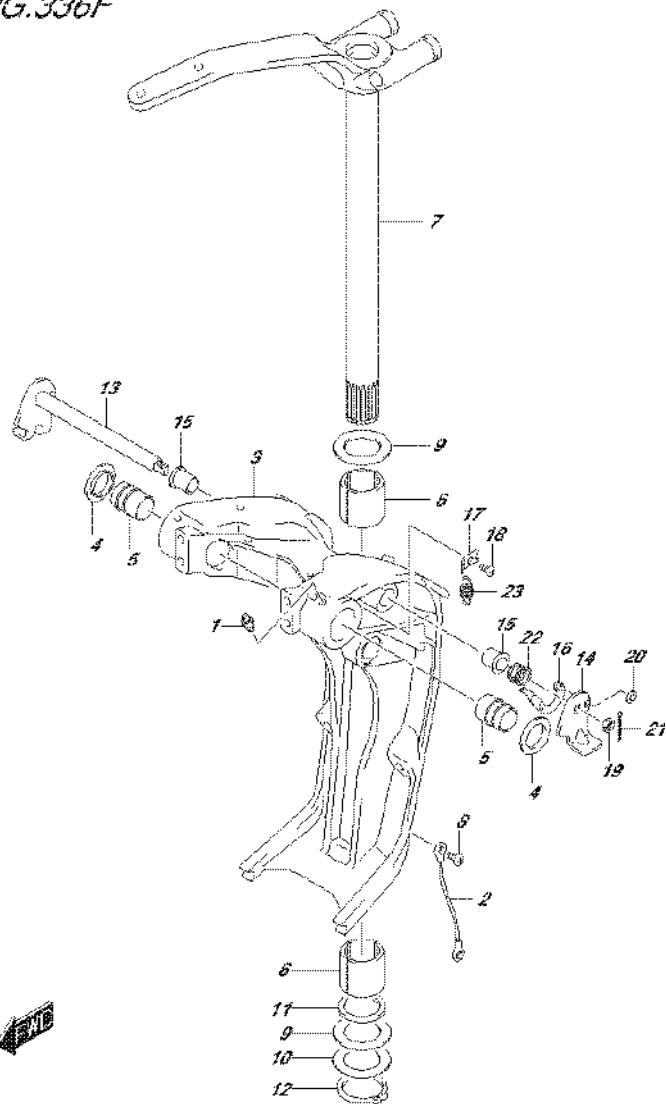


FIG.336F (2-K-7) SWIVEL BRACKET TRANSOM(X,XX) (DF225T E40)

REF NO.	PART NO.	DESCRIPTION	Q'TY	REMARKS
1	22511-99011	NIPPLE, GREASE SWIVEL BRKT	4	
2	36894-87D00	LEAD (SWIVEL TO MOUNT BRKT)	1	
3-1	43111-93J23-0EP	BRACKET, SWIVEL (BLACK)	1	
3-2	43111-93J23-Y5S	BRACKET, SWIVEL (WHITE)	1	
4	43114-93J00	WASHER, SWIVEL TO CLAMP BRKT	2	
5	43211-93J00	BUSH, CLAMP SHAFT SWIVEL	2	
6	43711-97E01	BUSH, STEERING	2	
7-1	43750-93J20-0EP	BRACKET, STEERING (BLACK)	1	
7-2	43750-93J20-Y5S	BRACKET, STEERING (WHITE)	1	
8	09125-06063	SCREW (6X10)	1	
9	09160-39001	WASHER (39.5X64X1)	2	
10	09181-39001	SHIM (39.5X64X0.3)	4	
11	09282-39001	OIL SEAL (39X51X5)	1	
12	09380-38003	CIRCLIP	1	
13	41220-93J11	LEVER, TILT LOCK	1	
14	41234-93J11	LEVER, TILT LOCK PORT	1	
15	41224-95E01	BUSH, TILT STOPPER ROD	2	
16	41230-96J00	LINK, TILT LOCK LEVER	1	
17	41233-95E10	BRACKET, TILT LOCK SPRING	1	
18	09125-06063	SCREW (6X10)	1	
19	09140-10032	NUT	1	
20	09160-06082	WASHER (6.5X13X1.0)	1	
21	09204-01006	PIN	1	
22	09440-19028	SPRING	1	
23	09443-10043	SPRING	1	

FIG.336G

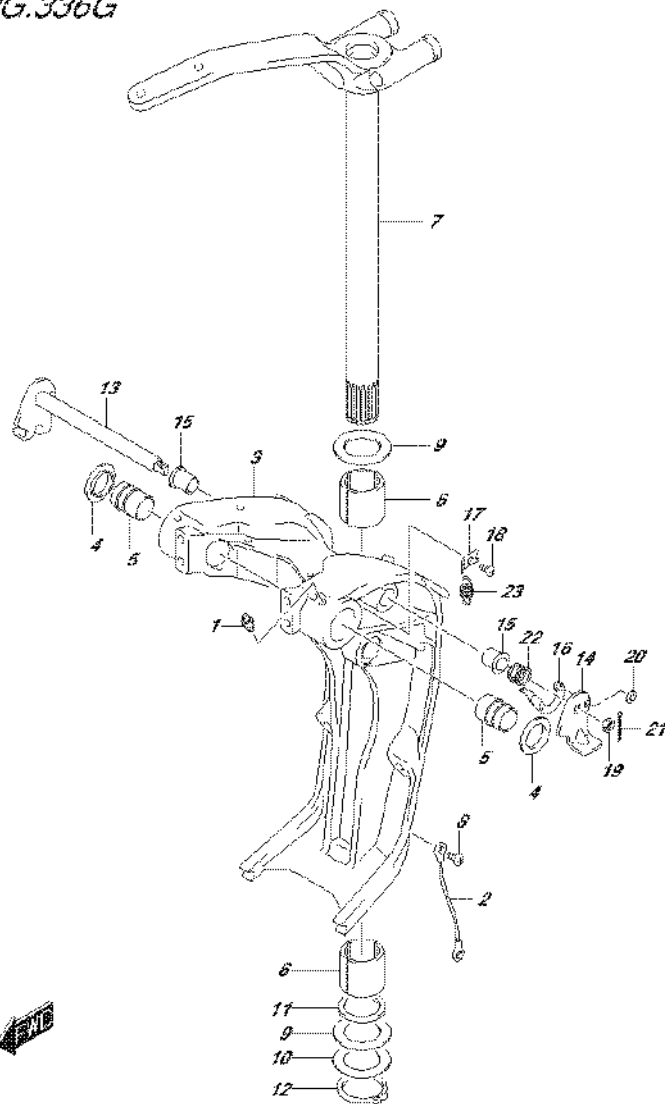


FIG.336G (2-K-8) SWIVEL BRACKET TRANSOM(X,XX) (DF225Z E01)

REF NO.	PART NO.	DESCRIPTION	Q'TY	REMARKS
1	22511-99011	NIPPLE, GREASE SWIVEL BRKT	4	
2	36894-87D00	LEAD (SWIVEL TO MOUNT BRKT)	1	
3-1	43111-93J23-0EP	BRACKET, SWIVEL (BLACK)	1	
3-2	43111-93J23-Y5S	BRACKET, SWIVEL (WHITE)	1	
4	43114-93J00	WASHER, SWIVEL TO CLAMP BRKT	2	
5	43211-93J00	BUSH, CLAMP SHAFT SWIVEL	2	
6	43711-97E01	BUSH, STEERING	2	
7-1	43750-93J20-0EP	BRACKET, STEERING (BLACK)	1	
7-2	43750-93J20-Y5S	BRACKET, STEERING (WHITE)	1	
8	09125-06063	SCREW (6X10)	1	
9	09160-39001	WASHER (39.5X64X1)	2	
10	09181-39001	SHIM (39.5X64X0.3)	4	
11	09282-39001	OIL SEAL (39X51X5)	1	
12	09380-38003	CIRCLIP	1	
13	41220-93J11	LEVER, TILT LOCK	1	
14	41234-93J11	LEVER, TILT LOCK PORT	1	
15	41224-95E01	BUSH, TILT STOPPER ROD	2	
16	41230-96J00	LINK, TILT LOCK LEVER	1	
17	41233-95E10	BRACKET, TILT LOCK SPRING	1	
18	09125-06063	SCREW (6X10)	1	
19	09140-10032	NUT	1	
20	09160-06082	WASHER (6.5X13X1.0)	1	
21	09204-01006	PIN	1	
22	09440-19028	SPRING	1	
23	09443-10043	SPRING	1	

FIG.336H

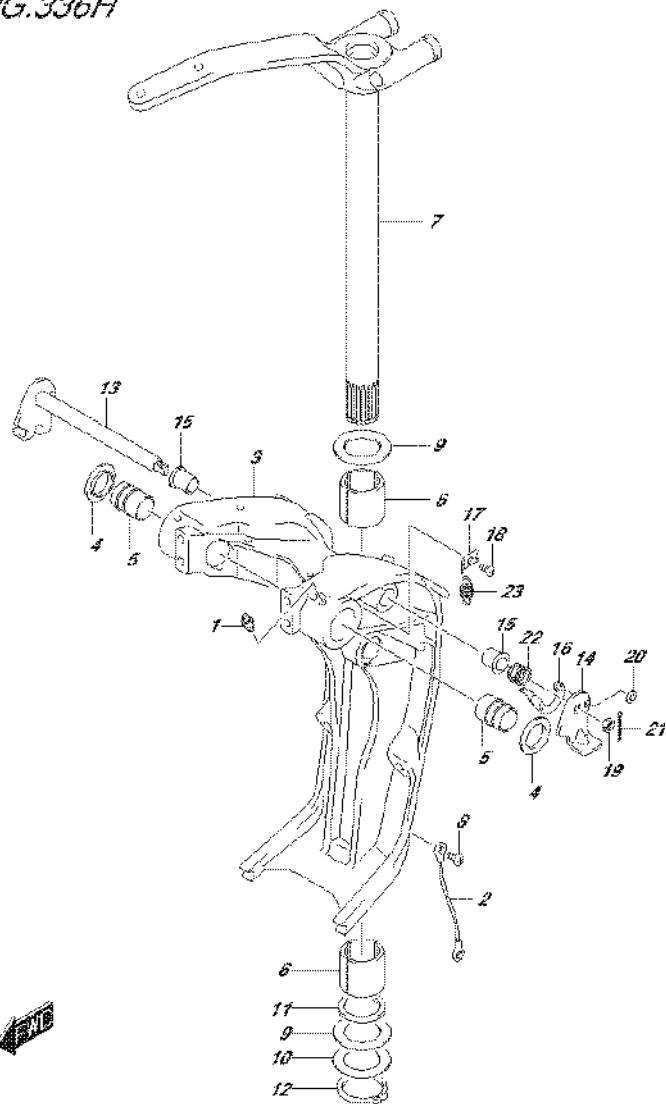


FIG.336H (2-K-9) SWIVEL BRACKET TRANSOM(X,XX) (DF225Z E40)

REF NO.	PART NO.	DESCRIPTION	Q'TY	REMARKS
1	22511-99011	NIPPLE, GREASE SWIVEL BRKT	4	
2	36894-87D00	LEAD (SWIVEL TO MOUNT BRKT)	1	
3-1	43111-93J23-0EP	BRACKET, SWIVEL (BLACK)	1	
3-2	43111-93J23-Y5S	BRACKET, SWIVEL (WHITE)	1	
4	43114-93J00	WASHER, SWIVEL TO CLAMP BRKT	2	
5	43211-93J00	BUSH, CLAMP SHAFT SWIVEL	2	
6	43711-97E01	BUSH, STEERING	2	
7-1	43750-93J20-0EP	BRACKET, STEERING (BLACK)	1	
7-2	43750-93J20-Y5S	BRACKET, STEERING (WHITE)	1	
8	09125-06063	SCREW (6X10)	1	
9	09160-39001	WASHER (39.5X64X1)	2	
10	09181-39001	SHIM (39.5X64X0.3)	4	
11	09282-39001	OIL SEAL (39X51X5)	1	
12	09380-38003	CIRCLIP	1	
13	41220-93J11	LEVER, TILT LOCK	1	
14	41234-93J11	LEVER, TILT LOCK PORT	1	
15	41224-95E01	BUSH, TILT STOPPER ROD	2	
16	41230-96J00	LINK, TILT LOCK LEVER	1	
17	41233-95E10	BRACKET, TILT LOCK SPRING	1	
18	09125-06063	SCREW (6X10)	1	
19	09140-10032	NUT	1	
20	09160-06082	WASHER (6.5X13X1.0)	1	
21	09204-01006	PIN	1	
22	09440-19028	SPRING	1	
23	09443-10043	SPRING	1	

FIG.336J

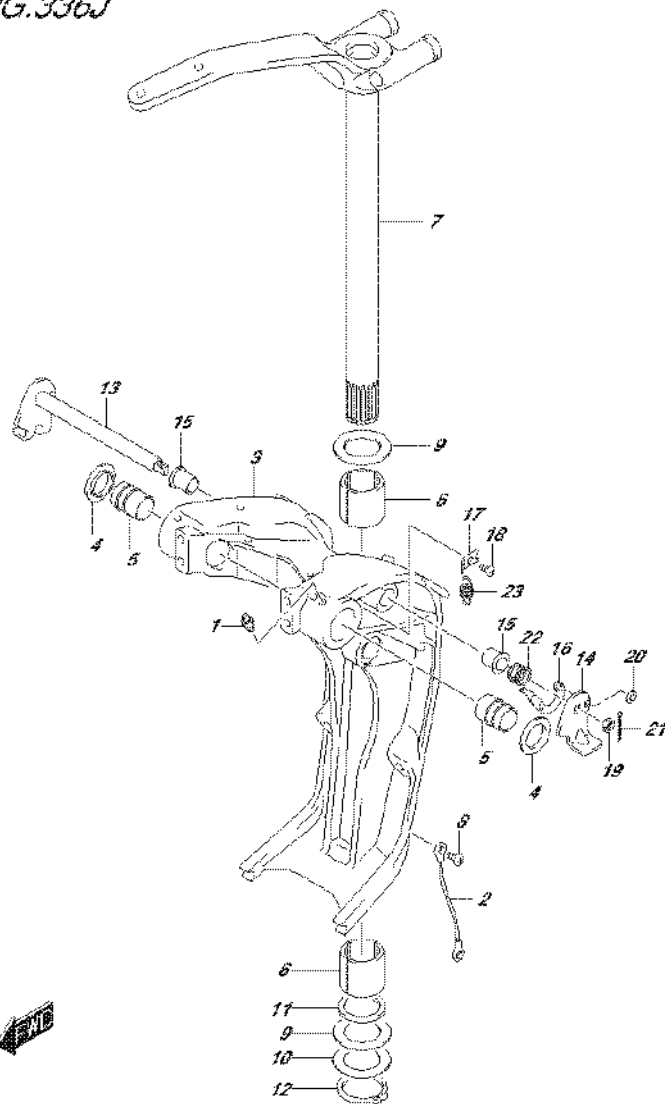


FIG.336J (2-K-10) SWIVEL BRACKET TRANSOM(X,XX) (DF250T E01)

REF NO.	PART NO.	DESCRIPTION	Q'TY	REMARKS
1	22511-99011	NIPPLE, GREASE SWIVEL BRKT	4	
2	36894-87D00	LEAD (SWIVEL TO MOUNT BRKT)	1	
3-1	43111-93J23-0EP	BRACKET, SWIVEL (BLACK)	1	
3-2	43111-93J23-Y5S	BRACKET, SWIVEL (WHITE)	1	
4	43114-93J00	WASHER, SWIVEL TO CLAMP BRKT	2	
5	43211-93J00	BUSH, CLAMP SHAFT SWIVEL	2	
6	43711-97E01	BUSH, STEERING	2	
7-1	43750-93J20-0EP	BRACKET, STEERING (BLACK)	1	
7-2	43750-93J20-Y5S	BRACKET, STEERING (WHITE)	1	
8	09125-06063	SCREW (6X10)	1	
9	09160-39001	WASHER (39.5X64X1)	2	
10	09181-39001	SHIM (39.5X64X0.3)	4	
11	09282-39001	OIL SEAL (39X51X5)	1	
12	09380-38003	CIRCLIP	1	
13	41220-93J11	LEVER, TILT LOCK	1	
14	41234-93J11	LEVER, TILT LOCK PORT	1	
15	41224-95E01	BUSH, TILT STOPPER ROD	2	
16	41230-96J00	LINK, TILT LOCK LEVER	1	
17	41233-95E10	BRACKET, TILT LOCK SPRING	1	
18	09125-06063	SCREW (6X10)	1	
19	09140-10032	NUT	1	
20	09160-06082	WASHER (6.5X13X1.0)	1	
21	09204-01006	PIN	1	
22	09440-19028	SPRING	1	
23	09443-10043	SPRING	1	

FIG.336K

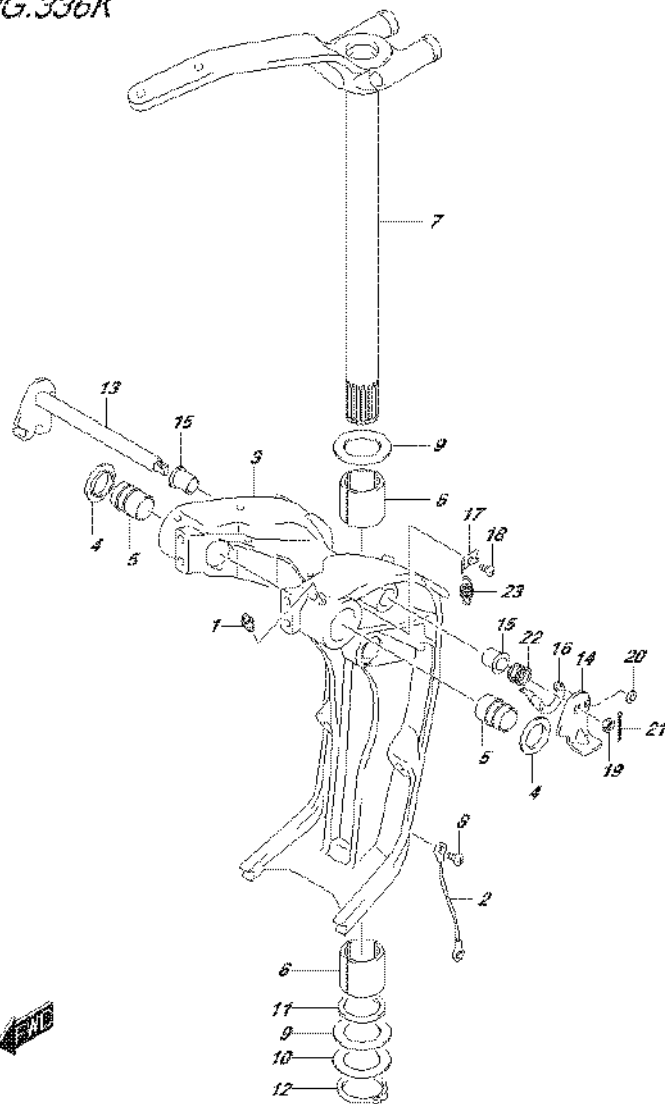


FIG.336K (2-K-11) SWIVEL BRACKET TRANSOM(X,XX) (DF250T E40)

REF NO.	PART NO.	DESCRIPTION	Q'TY	REMARKS
1	22511-99011	NIPPLE, GREASE SWIVEL BRKT	4	
2	36894-87D00	LEAD (SWIVEL TO MOUNT BRKT)	1	
3-1	43111-93J23-0EP	BRACKET, SWIVEL (BLACK)	1	
3-2	43111-93J23-Y5S	BRACKET, SWIVEL (WHITE)	1	
4	43114-93J00	WASHER, SWIVEL TO CLAMP BRKT	2	
5	43211-93J00	BUSH, CLAMP SHAFT SWIVEL	2	
6	43711-97E01	BUSH, STEERING	2	
7-1	43750-93J20-0EP	BRACKET, STEERING (BLACK)	1	
7-2	43750-93J20-Y5S	BRACKET, STEERING (WHITE)	1	
8	09125-06063	SCREW (6X10)	1	
9	09160-39001	WASHER (39.5X64X1)	2	
10	09181-39001	SHIM (39.5X64X0.3)	4	
11	09282-39001	OIL SEAL (39X51X5)	1	
12	09380-38003	CIRCLIP	1	
13	41220-93J11	LEVER, TILT LOCK	1	
14	41234-93J11	LEVER, TILT LOCK PORT	1	
15	41224-95E01	BUSH, TILT STOPPER ROD	2	
16	41230-96J00	LINK, TILT LOCK LEVER	1	
17	41233-95E10	BRACKET, TILT LOCK SPRING	1	
18	09125-06063	SCREW (6X10)	1	
19	09140-10032	NUT	1	
20	09160-06082	WASHER (6.5X13X1.0)	1	
21	09204-01006	PIN	1	
22	09440-19028	SPRING	1	
23	09443-10043	SPRING	1	

FIG.336L

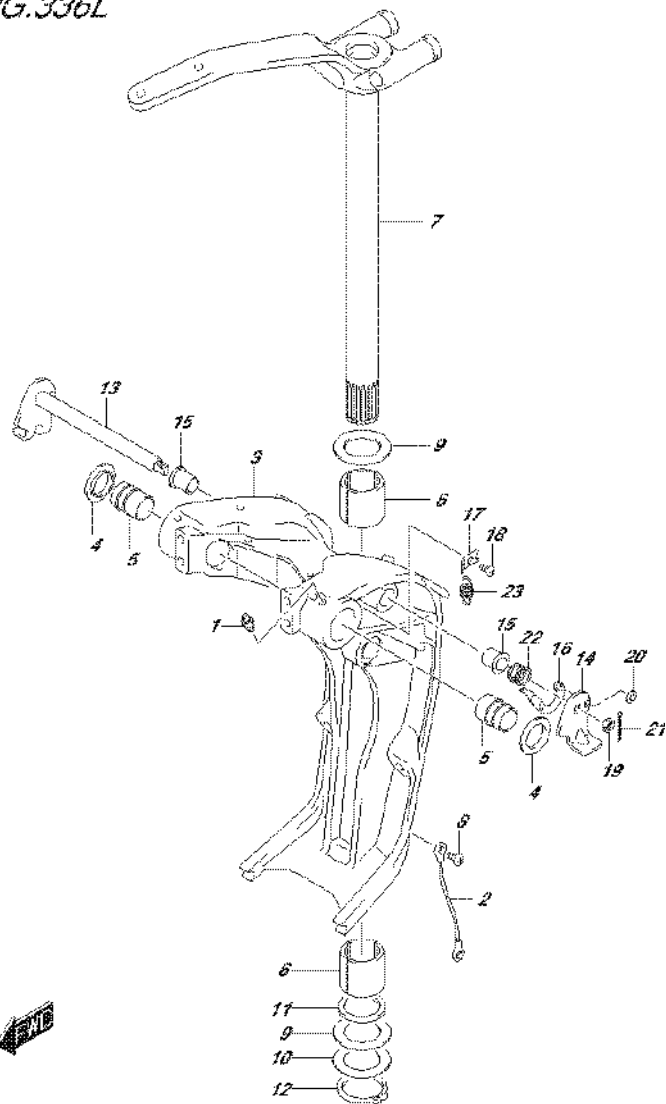


FIG.336L (2-K-12) SWIVEL BRACKET TRANSOM(X,XX) (DF250Z E01)

REF NO.	PART NO.	DESCRIPTION	Q'TY	REMARKS
1	22511-99011	NIPPLE, GREASE SWIVEL BRKT	4	
2	36894-87D00	LEAD (SWIVEL TO MOUNT BRKT)	1	
3-1	43111-93J23-0EP	BRACKET, SWIVEL (BLACK)	1	
3-2	43111-93J23-Y5S	BRACKET, SWIVEL (WHITE)	1	
4	43114-93J00	WASHER, SWIVEL TO CLAMP BRKT	2	
5	43211-93J00	BUSH, CLAMP SHAFT SWIVEL	2	
6	43711-97E01	BUSH, STEERING	2	
7-1	43750-93J20-0EP	BRACKET, STEERING (BLACK)	1	
7-2	43750-93J20-Y5S	BRACKET, STEERING (WHITE)	1	
8	09125-06063	SCREW (6X10)	1	
9	09160-39001	WASHER (39.5X64X1)	2	
10	09181-39001	SHIM (39.5X64X0.3)	4	
11	09282-39001	OIL SEAL (39X51X5)	1	
12	09380-38003	CIRCLIP	1	
13	41220-93J11	LEVER, TILT LOCK	1	
14	41234-93J11	LEVER, TILT LOCK PORT	1	
15	41224-95E01	BUSH, TILT STOPPER ROD	2	
16	41230-96J00	LINK, TILT LOCK LEVER	1	
17	41233-95E10	BRACKET, TILT LOCK SPRING	1	
18	09125-06063	SCREW (6X10)	1	
19	09140-10032	NUT	1	
20	09160-06082	WASHER (6.5X13X1.0)	1	
21	09204-01006	PIN	1	
22	09440-19028	SPRING	1	
23	09443-10043	SPRING	1	

FIG.336M

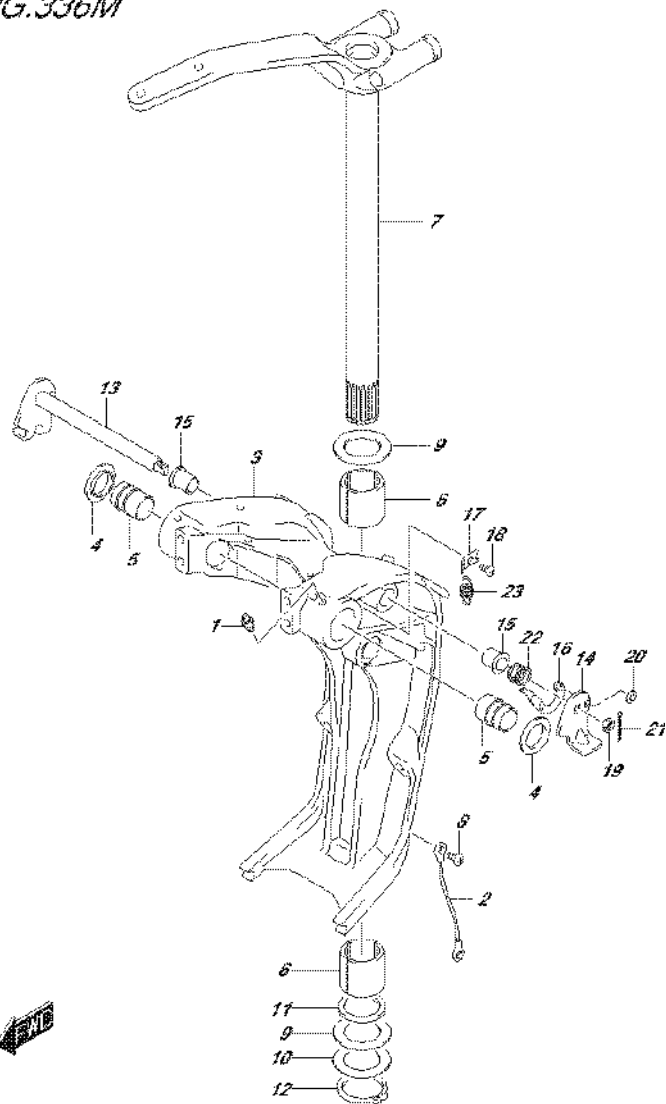
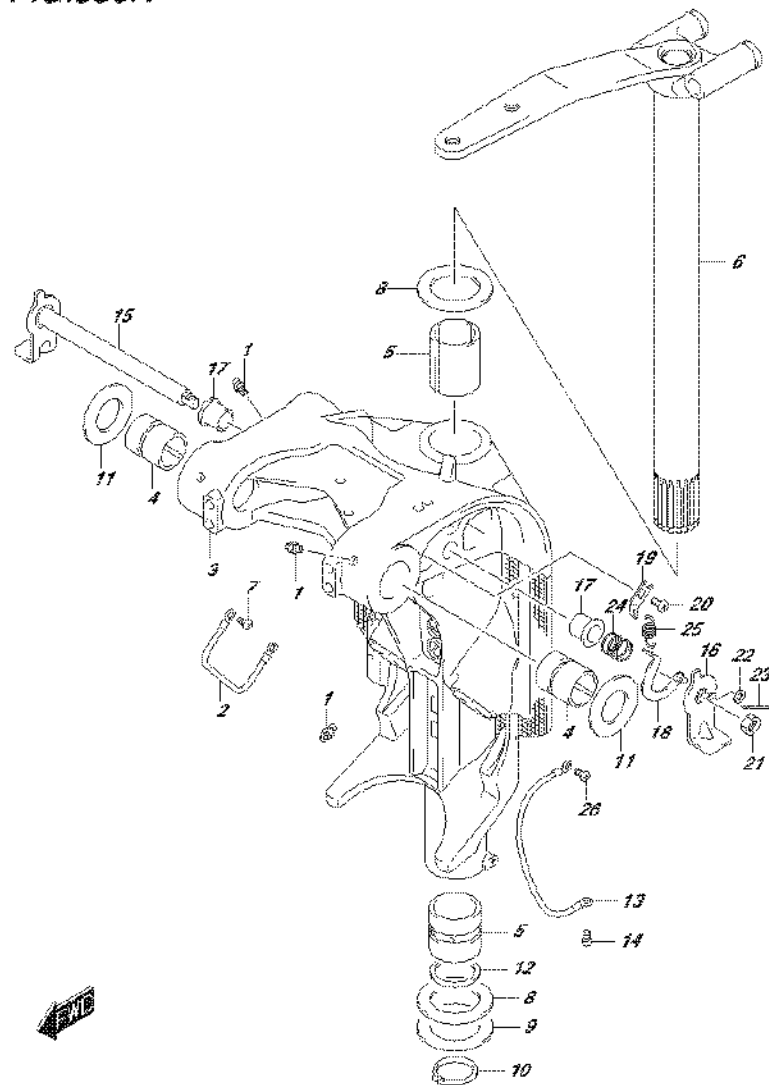


FIG.336M (2-K-13) SWIVEL BRACKET TRANSOM(X,XX) (DF250Z E40)

REF NO.	PART NO.	DESCRIPTION	Q'TY	REMARKS
1	22511-99011	NIPPLE, GREASE SWIVEL BRKT	4	
2	36894-87D00	LEAD (SWIVEL TO MOUNT BRKT)	1	
3-1	43111-93J23-0EP	BRACKET, SWIVEL (BLACK)	1	
3-2	43111-93J23-Y5S	BRACKET, SWIVEL (WHITE)	1	
4	43114-93J00	WASHER, SWIVEL TO CLAMP BRKT	2	
5	43211-93J00	BUSH, CLAMP SHAFT SWIVEL	2	
6	43711-97E01	BUSH, STEERING	2	
7-1	43750-93J20-0EP	BRACKET, STEERING (BLACK)	1	
7-2	43750-93J20-Y5S	BRACKET, STEERING (WHITE)	1	
8	09125-06063	SCREW (6X10)	1	
9	09160-39001	WASHER (39.5X64X1)	2	
10	09181-39001	SHIM (39.5X64X0.3)	4	
11	09282-39001	OIL SEAL (39X51X5)	1	
12	09380-38003	CIRCLIP	1	
13	41220-93J11	LEVER, TILT LOCK	1	
14	41234-93J11	LEVER, TILT LOCK PORT	1	
15	41224-95E01	BUSH, TILT STOPPER ROD	2	
16	41230-96J00	LINK, TILT LOCK LEVER	1	
17	41233-95E10	BRACKET, TILT LOCK SPRING	1	
18	09125-06063	SCREW (6X10)	1	
19	09140-10032	NUT	1	
20	09160-06082	WASHER (6.5X13X1.0)	1	
21	09204-01006	PIN	1	
22	09440-19028	SPRING	1	
23	09443-10043	SPRING	1	

FIG.336N

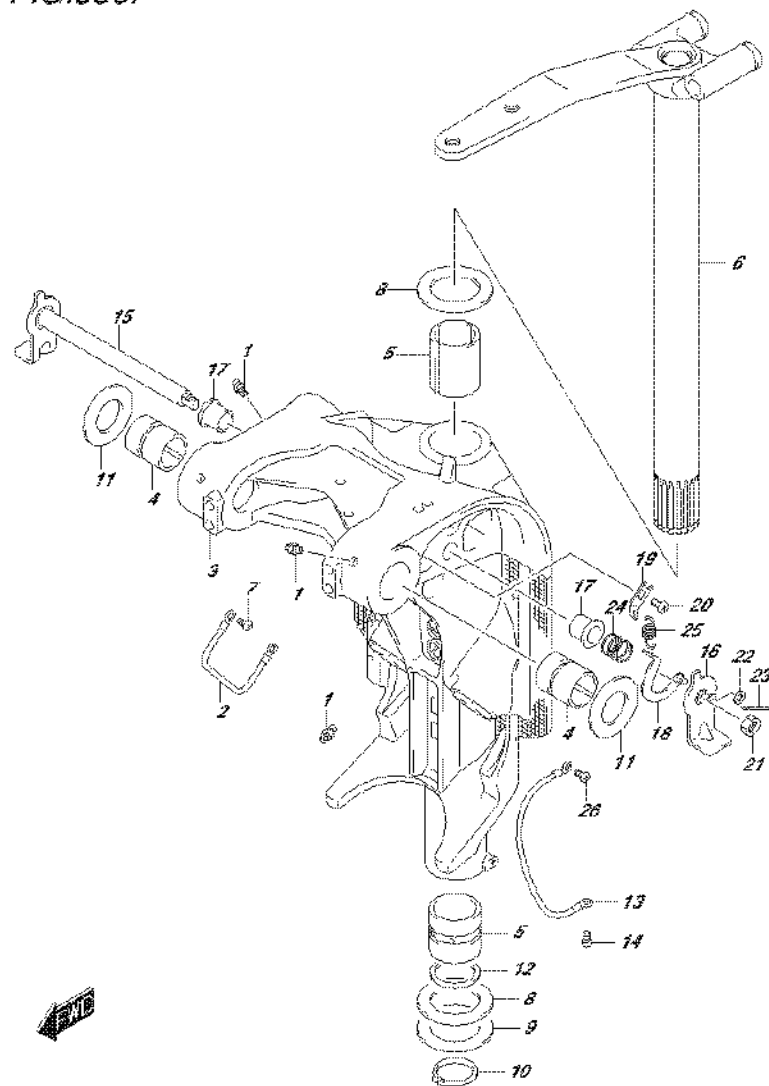
FIG.336N (2-K-14) SWIVEL BRACKET TRANSOM(L) (DF200T E01)



REF NO.	PART NO.	DESCRIPTION	Q'TY	REMARKS
1	22511-99011	NIPPLE, GREASE	4	
2	36894-87D00	LEAD (SWIVEL TO CLAMP)	1	
3-1	43111-96J20-0EP	BRACKET, SWIVEL (BLACK)	1	
3-2	43111-96J20-Y5S	BRACKET, SWIVEL (WHITE)	1	
4	43211-93J00	BUSH, CLAMP SHAFT SWIVEL	2	
5	43711-97E01	BUSH, STEERING	2	
6-1	43750-96J50-0EP	BRACKET, STEERING (BLACK)	1	
6-2	43750-96J50-Y5S	BRACKET, STEERING (WHITE)	1	
7	09125-06063	SCREW (6X10)	2	
8	09160-39001	WASHER (39.5X64X1)	2	
9	09181-39001	SHIM (39.5X64X0.3)	4	
10	09380-38003	CIRCLIP	1	
11	09169-28003	WASHER	2	
12	09282-39001	OIL SEAL (39X51X5)	1	
13	36895-87D10	LEAD (SWIVEL TO HSG)	1	
14	09125-06063	SCREW (6X10)	1	
15	41220-96J10	LEVER, TILT LOCK	1	
16	41234-96J10	LEVER, TILT LOCK PORT	1	
17	41224-95E01	BUSH, TILT STOPPER ROD	2	
18	41230-96J00	LINK, TILT LOCK LEVER	1	
19	41233-95E10	BRACKET, TILT LOCK SPRING	1	
20	09125-06063	SCREW (6X10)	1	
21	09140-10032	NUT	1	
22	09160-06082	WASHER (6.5X13X1.0)	1	
23	09204-01006	PIN	1	
24	09440-19028	SPRING	1	
25	09443-10043	SPRING	1	
26	09125-06063	SCREW (6X10)	1	

FIG.336P

FIG.336P (2-K-15) SWIVEL BRACKET TRANSOM(L) (DF200T E40)



REF NO.	PART NO.	DESCRIPTION	Q'TY	REMARKS
1	22511-99011	NIPPLE, GREASE	4	
2	36894-87D00	LEAD (SWIVEL TO CLAMP)	1	
3-1	43111-96J20-0EP	BRACKET, SWIVEL (BLACK)	1	
3-2	43111-96J20-Y5S	BRACKET, SWIVEL (WHITE)	1	
4	43211-93J00	BUSH, CLAMP SHAFT SWIVEL	2	
5	43711-97E01	BUSH, STEERING	2	
6-1	43750-96J50-0EP	BRACKET, STEERING (BLACK)	1	
6-2	43750-96J50-Y5S	BRACKET, STEERING (WHITE)	1	
7	09125-06063	SCREW (6X10)	2	
8	09160-39001	WASHER (39.5X64X1)	2	
9	09181-39001	SHIM (39.5X64X0.3)	4	
10	09380-38003	CIRCLIP	1	
11	09169-28003	WASHER	2	
12	09282-39001	OIL SEAL (39X51X5)	1	
13	36895-87D10	LEAD (SWIVEL TO HSG)	1	
14	09125-06063	SCREW (6X10)	1	
15	41220-96J10	LEVER, TILT LOCK	1	
16	41234-96J10	LEVER, TILT LOCK PORT	1	
17	41224-95E01	BUSH, TILT STOPPER ROD	2	
18	41230-96J00	LINK, TILT LOCK LEVER	1	
19	41233-95E10	BRACKET, TILT LOCK SPRING	1	
20	09125-06063	SCREW (6X10)	1	
21	09140-10032	NUT	1	
22	09160-06082	WASHER (6.5X13X1.0)	1	
23	09204-01006	PIN	1	
24	09440-19028	SPRING	1	
25	09443-10043	SPRING	1	
26	09125-06063	SCREW (6X10)	1	

FIG.337A

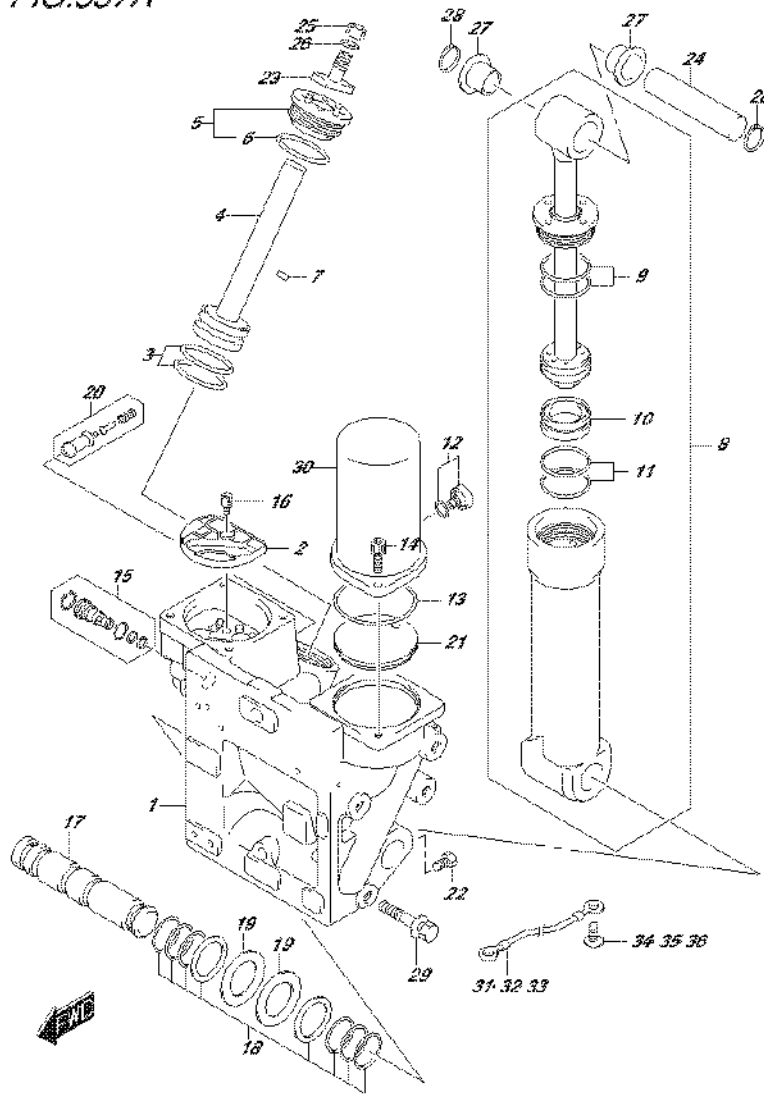


FIG.337A (2-L-2) TRIM CYLINDER TRANSOM(X,XX) (DF200T E01)

REF NO.	PART NO.	DESCRIPTION	Q'TY	REMARKS
1	48500-93J05	MANIFOLD ASSY	1	
2	48582-95E01	.FILTER	1	
3	48605-93J00	.O RING SET	2	
4	48610-93J01	.PISTON / RAM	2	
5	48630-98J01	.ROD GUIDE	2	
6	48633-93J00	.O RING	2	
7	48691-93J00	.CHECK VALVE	1	
8	48400-93J06	CYLINDER ASSY	1	
9	48405-93J00	.O RING SET	1	
10	48650-93J00	.PISTON, FREE	1	
11	48627-93J00	.O RING SET	1	
12	48572-87J10	PLUG	1	
13	48585-95E00	O RING	1	
14	48862-87J20	BOLT, RESERVOIR	2	
15	48864-93J01	MANUAL VALVE	1	
16	48583-95E00	JOINT, DRIVE	1	
17	48121-93J13	SHAFT	1	
18	48125-93J00	O RING SET	1	
19	48126-93J00	WASHER, TILT CYL TO MANIF	2	
20	48320-93J00	VALVE SET, UP BLOW	1	
21	48573-93J00	COVER	1	
22	48128-93J11	BOLT	1	
23	48311-96J10	PAD, TRIM CYL RAM	2	
24	48321-93J00	SHAFT, TILT CYL UPPER	1	
25	29141-93J20	NUT, TRIM CYL RAM	2	
26	09162-10005	LOCK WASHER	2	
27	09306-24001	BUSH	2	
28	09380-21002	CIRCLIP	2	
29	09116-10175	BOLT (10X50)	8	
30	48571-93J00	RESERVOIR TANK	1	
31	36894-87D00	LEAD, PTT TO ANODE	1	
32	36895-87D01	LEAD, PTT TO ANODE	1	
33	36895-87D01	LEAD, PTT TO ANODE	1	
34	09125-06063	SCREW (6X10)	1	
35	09125-06063	SCREW (6X10)	1	
36	09125-06063	SCREW (6X10)	1	

FIG.337B

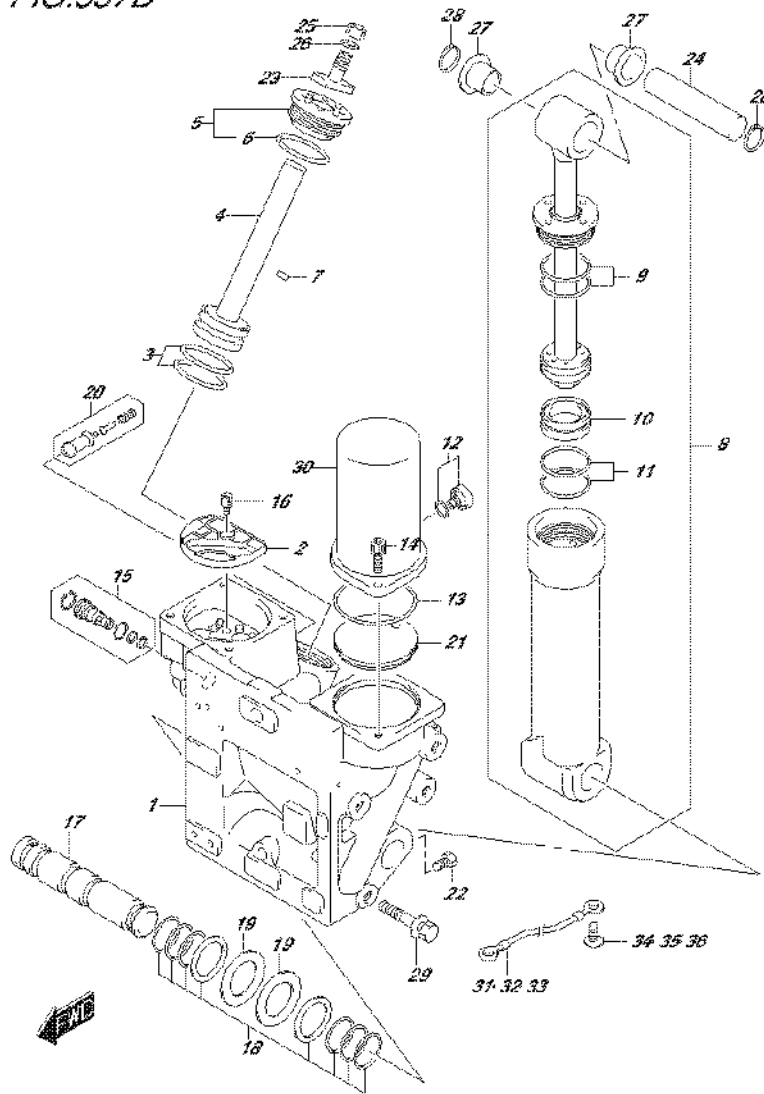
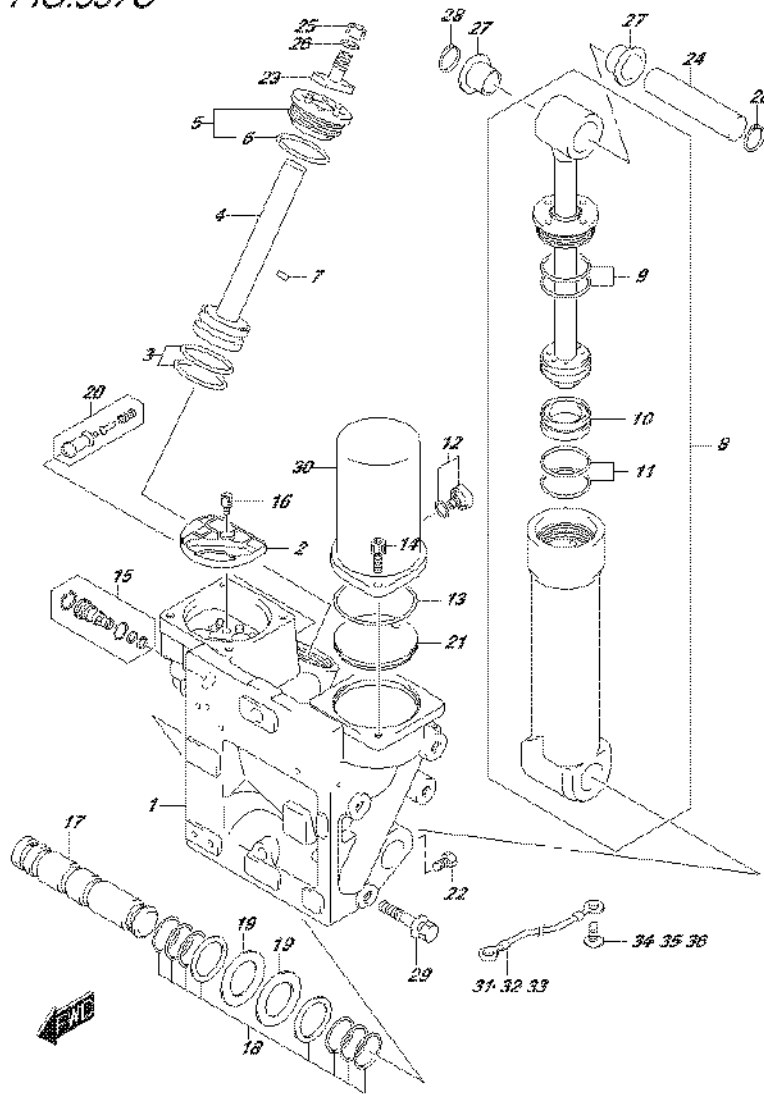


FIG.337B (2-L-3) TRIM CYLINDER TRANSOM(X) (DF200T E40)

REF NO.	PART NO.	DESCRIPTION	Q'TY	REMARKS
1	48500-93J05	MANIFOLD ASSY	1	
2	48582-95E01	.FILTER	1	
3	48605-93J00	.O RING SET	2	
4	48610-93J01	.PISTON / RAM	2	
5	48630-98J01	.ROD GUIDE	2	
6	48633-93J00	.O RING	2	
7	48691-93J00	.CHECK VALVE	1	
8	48400-93J06	CYLINDER ASSY	1	
9	48405-93J00	.O RING SET	1	
10	48650-93J00	.PISTON, FREE	1	
11	48627-93J00	.O RING SET	1	
12	48572-87J10	PLUG	1	
13	48585-95E00	O RING	1	
14	48862-87J20	BOLT, RESERVOIR	2	
15	48864-93J01	MANUAL VALVE	1	
16	48583-95E00	JOINT, DRIVE	1	
17	48121-93J13	SHAFT	1	
18	48125-93J00	O RING SET	1	
19	48126-93J00	WASHER, TILT CYL TO MANIF	2	
20	48320-93J00	VALVE SET, UP BLOW	1	
21	48573-93J00	COVER	1	
22	48128-93J11	BOLT	1	
23	48311-96J10	PAD, TRIM CYL RAM	2	
24	48321-93J00	SHAFT, TILT CYL UPPER	1	
25	29141-93J20	NUT, TRIM CYL RAM	2	
26	09162-10005	LOCK WASHER	2	
27	09306-24001	BUSH	2	
28	09380-21002	CIRCLIP	2	
29	09116-10175	BOLT (10X50)	8	
30	48571-93J00	RESERVOIR TANK	1	
31	36894-87D00	LEAD, PTT TO ANODE	1	
32	36895-87D01	LEAD, PTT TO ANODE	1	
33	36895-87D01	LEAD, PTT TO ANODE	1	
34	09125-06063	SCREW (6X10)	1	
35	09125-06063	SCREW (6X10)	1	
36	09125-06063	SCREW (6X10)	1	

FIG.337C



DF200Z E01_016_337C
TRIM CYLINDER

FIG.337C (2-L-4) TRIM CYLINDER TRANSOM(X,XX) (DF200Z E01)

REF NO.	PART NO.	DESCRIPTION	Q'TY	REMARKS
1	48500-93J05	MANIFOLD ASSY	1	
2	48582-95E01	.FILTER	1	
3	48605-93J00	.O RING SET	2	
4	48610-93J01	.PISTON / RAM	2	
5	48630-98J01	.ROD GUIDE	2	
6	48633-93J00	..O RING	2	
7	48691-93J00	.CHECK VALVE	1	
8	48400-93J06	CYLINDER ASSY	1	
9	48405-93J00	.O RING SET	1	
10	48650-93J00	.PISTON, FREE	1	
11	48627-93J00	.O RING SET	1	
12	48572-87J10	PLUG	1	
13	48585-95E00	O RING	1	
14	48862-87J20	BOLT, RESERVOIR	2	
15	48864-93J01	MANUAL VALVE	1	
16	48583-95E00	JOINT, DRIVE	1	
17	48121-93J13	SHAFT	1	
18	48125-93J00	O RING SET	1	
19	48126-93J00	WASHER, TILT CYL TO MANIF	2	
20	48320-93J00	VALVE SET, UP BLOW	1	
21	48573-93J00	COVER	1	
22	48128-93J11	BOLT	1	
23	48311-96J10	PAD, TRIM CYL RAM	2	
24	48321-93J00	SHAFT, TILT CYL UPPER	1	
25	29141-93J20	NUT, TRIM CYL RAM	2	
26	09162-10005	LOCK WASHER	2	
27	09306-24001	BUSH	2	
28	09380-21002	CIRCLIP	2	
29	09116-10175	BOLT (10X50)	8	
30	48571-93J00	RESERVOIR TANK	1	
31	36894-87D00	LEAD, PTT TO ANODE	1	
32	36895-87D01	LEAD, PTT TO ANODE	1	
33	36895-87D01	LEAD, PTT TO ANODE	1	
34	09125-06063	SCREW (6X10)	1	
35	09125-06063	SCREW (6X10)	1	
36	09125-06063	SCREW (6X10)	1	

DF250_E01_016

FIG.337D

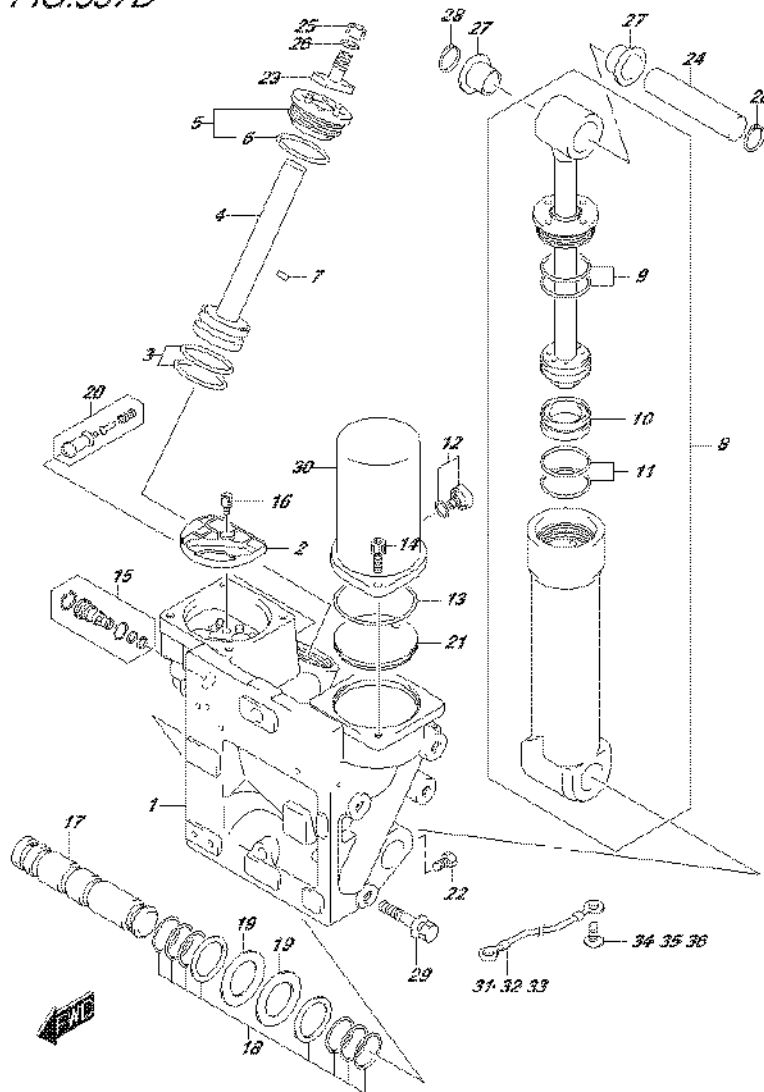


FIG.337D (2-L-5) TRIM CYLINDER TRANSOM(X) (DF200Z E40)

REF NO.	PART NO.	DESCRIPTION	Q'TY	REMARKS
1	48500-93J05	MANIFOLD ASSY	1	
2	48582-95E01	.FILTER	1	
3	48605-93J00	.O RING SET	2	
4	48610-93J01	.PISTON / RAM	2	
5	48630-98J01	.ROD GUIDE	2	
6	48633-93J00	.O RING	2	
7	48691-93J00	.CHECK VALVE	1	
8	48400-93J06	CYLINDER ASSY	1	
9	48405-93J00	.O RING SET	1	
10	48650-93J00	.PISTON, FREE	1	
11	48627-93J00	.O RING SET	1	
12	48572-87J10	PLUG	1	
13	48585-95E00	O RING	1	
14	48862-87J20	BOLT, RESERVOIR	2	
15	48864-93J01	MANUAL VALVE	1	
16	48583-95E00	JOINT, DRIVE	1	
17	48121-93J13	SHAFT	1	
18	48125-93J00	O RING SET	1	
19	48126-93J00	WASHER, TILT CYL TO MANIF	2	
20	48320-93J00	VALVE SET, UP BLOW	1	
21	48573-93J00	COVER	1	
22	48128-93J11	BOLT	1	
23	48311-96J10	PAD, TRIM CYL RAM	2	
24	48321-93J00	SHAFT, TILT CYL UPPER	1	
25	29141-93J20	NUT, TRIM CYL RAM	2	
26	09162-10005	LOCK WASHER	2	
27	09306-24001	BUSH	2	
28	09380-21002	CIRCLIP	2	
29	09116-10175	BOLT (10X50)	8	
30	48571-93J00	RESERVOIR TANK	1	
31	36894-87D00	LEAD, PTT TO ANODE	1	
32	36895-87D01	LEAD, PTT TO ANODE	1	
33	36895-87D01	LEAD, PTT TO ANODE	1	
34	09125-06063	SCREW (6X10)	1	
35	09125-06063	SCREW (6X10)	1	
36	09125-06063	SCREW (6X10)	1	

FIG.337E

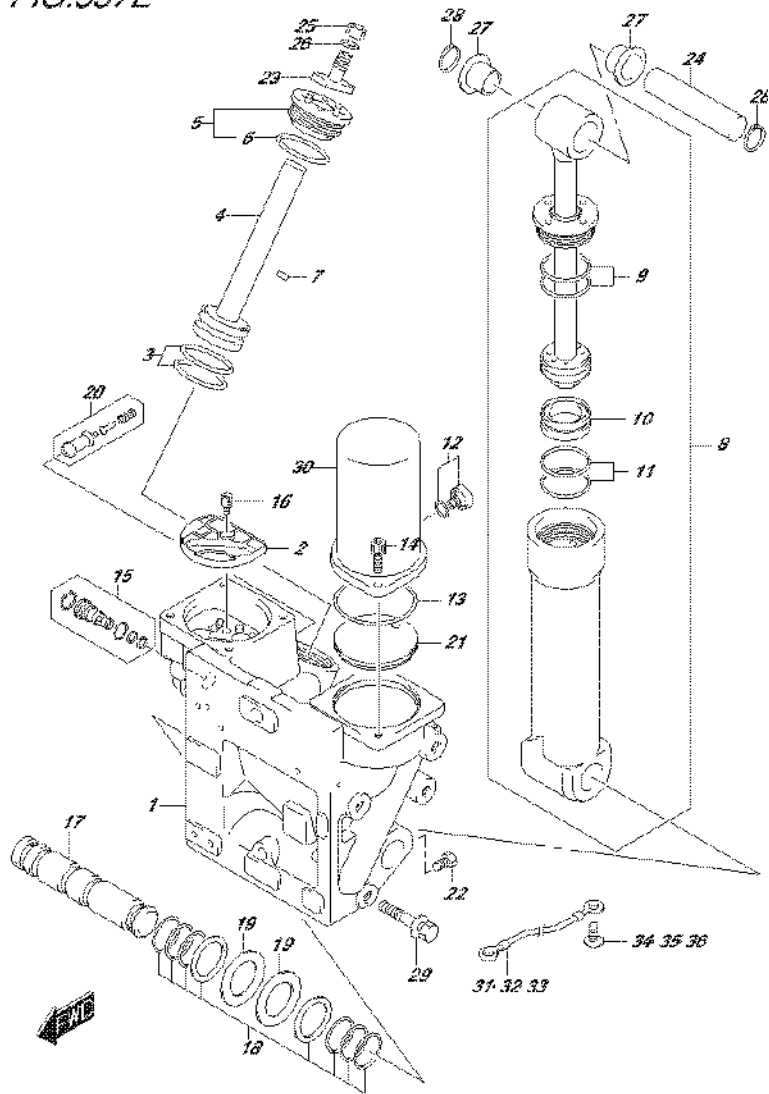


FIG.337E (2-L-6) TRIM CYLINDER TRANSOM(X,XX) (DF225T E01)

REF NO.	PART NO.	DESCRIPTION	Q'TY	REMARKS
1	48500-93J05	MANIFOLD ASSY	1	
2	48582-95E01	.FILTER	1	
3	48605-93J00	.O RING SET	2	
4	48610-93J01	.PISTON / RAM	2	
5	48630-98J01	.ROD GUIDE	2	
6	48633-93J00	.O RING	2	
7	48691-93J00	.CHECK VALVE	1	
8	48400-93J06	CYLINDER ASSY	1	
9	48405-93J00	.O RING SET	1	
10	48650-93J00	.PISTON, FREE	1	
11	48627-93J00	.O RING SET	1	
12	48572-87J10	PLUG	1	
13	48585-95E00	O RING	1	
14	48862-87J20	BOLT, RESERVOIR	2	
15	48864-93J01	MANUAL VALVE	1	
16	48583-95E00	JOINT, DRIVE	1	
17	48121-93J13	SHAFT	1	
18	48125-93J00	O RING SET	1	
19	48126-93J00	WASHER, TILT CYL TO MANIF	2	
20	48320-93J00	VALVE SET, UP BLOW	1	
21	48573-93J00	COVER	1	
22	48128-93J11	BOLT	1	
23	48311-96J10	PAD, TRIM CYL RAM	2	
24	48321-93J00	SHAFT, TILT CYL UPPER	1	
25	29141-93J20	NUT, TRIM CYL RAM	2	
26	09162-10005	LOCK WASHER	2	
27	09306-24001	BUSH	2	
28	09380-21002	CIRCLIP	2	
29	09116-10175	BOLT (10X50)	8	
30	48571-93J00	RESERVOIR TANK	1	
31	36894-87D00	LEAD, PTT TO ANODE	1	
32	36895-87D01	LEAD, PTT TO ANODE	1	
33	36895-87D01	LEAD, PTT TO ANODE	1	
34	09125-06063	SCREW (6X10)	1	
35	09125-06063	SCREW (6X10)	1	
36	09125-06063	SCREW (6X10)	1	

FIG.337F

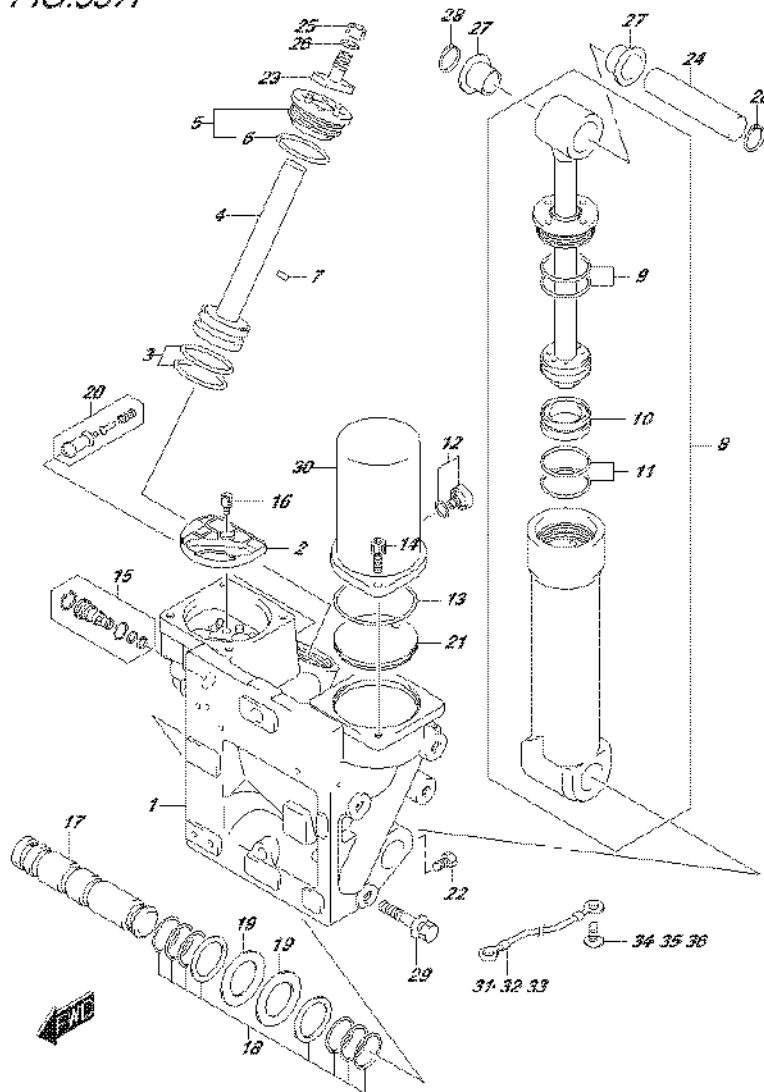


FIG.337F (2-L-7) TRIM CYLINDER TRANSOM(X,XX) (DF225T E40)

REF NO.	PART NO.	DESCRIPTION	Q'TY	REMARKS
1	48500-93J05	MANIFOLD ASSY	1	
2	48582-95E01	.FILTER	1	
3	48605-93J00	.O RING SET	2	
4	48610-93J01	.PISTON / RAM	2	
5	48630-98J01	.ROD GUIDE	2	
6	48633-93J00	.O RING	2	
7	48691-93J00	.CHECK VALVE	1	
8	48400-93J06	CYLINDER ASSY	1	
9	48405-93J00	.O RING SET	1	
10	48650-93J00	.PISTON, FREE	1	
11	48627-93J00	.O RING SET	1	
12	48572-87J10	PLUG	1	
13	48585-95E00	O RING	1	
14	48862-87J20	BOLT, RESERVOIR	2	
15	48864-93J01	MANUAL VALVE	1	
16	48583-95E00	JOINT, DRIVE	1	
17	48121-93J13	SHAFT	1	
18	48125-93J00	O RING SET	1	
19	48126-93J00	WASHER, TILT CYL TO MANIF	2	
20	48320-93J00	VALVE SET, UP BLOW	1	
21	48573-93J00	COVER	1	
22	48128-93J11	BOLT	1	
23	48311-96J10	PAD, TRIM CYL RAM	2	
24	48321-93J00	SHAFT, TILT CYL UPPER	1	
25	29141-93J20	NUT, TRIM CYL RAM	2	
26	09162-10005	LOCK WASHER	2	
27	09306-24001	BUSH	2	
28	09380-21002	CIRCLIP	2	
29	09116-10175	BOLT (10X50)	8	
30	48571-93J00	RESERVOIR TANK	1	
31	36894-87D00	LEAD, PTT TO ANODE	1	
32	36895-87D01	LEAD, PTT TO ANODE	1	
33	36895-87D01	LEAD, PTT TO ANODE	1	
34	09125-06063	SCREW (6X10)	1	
35	09125-06063	SCREW (6X10)	1	
36	09125-06063	SCREW (6X10)	1	

FIG.337G

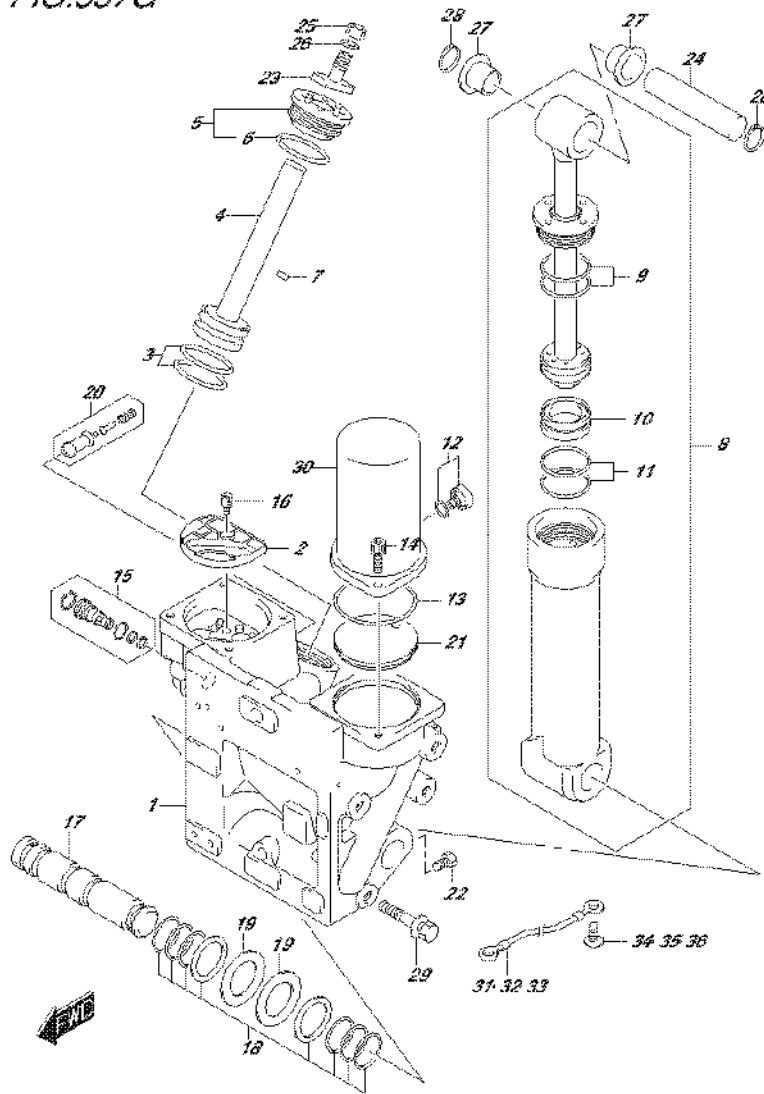


FIG.337G (2-L-8) TRIM CYLINDER TRANSOM(X,XX) (DF225Z E01)

REF NO.	PART NO.	DESCRIPTION	Q'TY	REMARKS
1	48500-93J05	MANIFOLD ASSY	1	
2	48582-95E01	.FILTER	1	
3	48605-93J00	.O RING SET	2	
4	48610-93J01	.PISTON / RAM	2	
5	48630-98J01	.ROD GUIDE	2	
6	48633-93J00	.O RING	2	
7	48691-93J00	.CHECK VALVE	1	
8	48400-93J06	CYLINDER ASSY	1	
9	48405-93J00	.O RING SET	1	
10	48650-93J00	.PISTON, FREE	1	
11	48627-93J00	.O RING SET	1	
12	48572-87J10	PLUG	1	
13	48585-95E00	O RING	1	
14	48862-87J20	BOLT, RESERVOIR	2	
15	48864-93J01	MANUAL VALVE	1	
16	48583-95E00	JOINT, DRIVE	1	
17	48121-93J13	SHAFT	1	
18	48125-93J00	O RING SET	1	
19	48126-93J00	WASHER, TILT CYL TO MANIF	2	
20	48320-93J00	VALVE SET, UP BLOW	1	
21	48573-93J00	COVER	1	
22	48128-93J11	BOLT	1	
23	48311-96J10	PAD, TRIM CYL RAM	2	
24	48321-93J00	SHAFT, TILT CYL UPPER	1	
25	29141-93J20	NUT, TRIM CYL RAM	2	
26	09162-10005	LOCK WASHER	2	
27	09306-24001	BUSH	2	
28	09380-21002	CIRCLIP	2	
29	09116-10175	BOLT (10X50)	8	
30	48571-93J00	RESERVOIR TANK	1	
31	36894-87D00	LEAD, PTT TO ANODE	1	
32	36895-87D01	LEAD, PTT TO ANODE	1	
33	36895-87D01	LEAD, PTT TO ANODE	1	
34	09125-06063	SCREW (6X10)	1	
35	09125-06063	SCREW (6X10)	1	
36	09125-06063	SCREW (6X10)	1	

FIG.337H

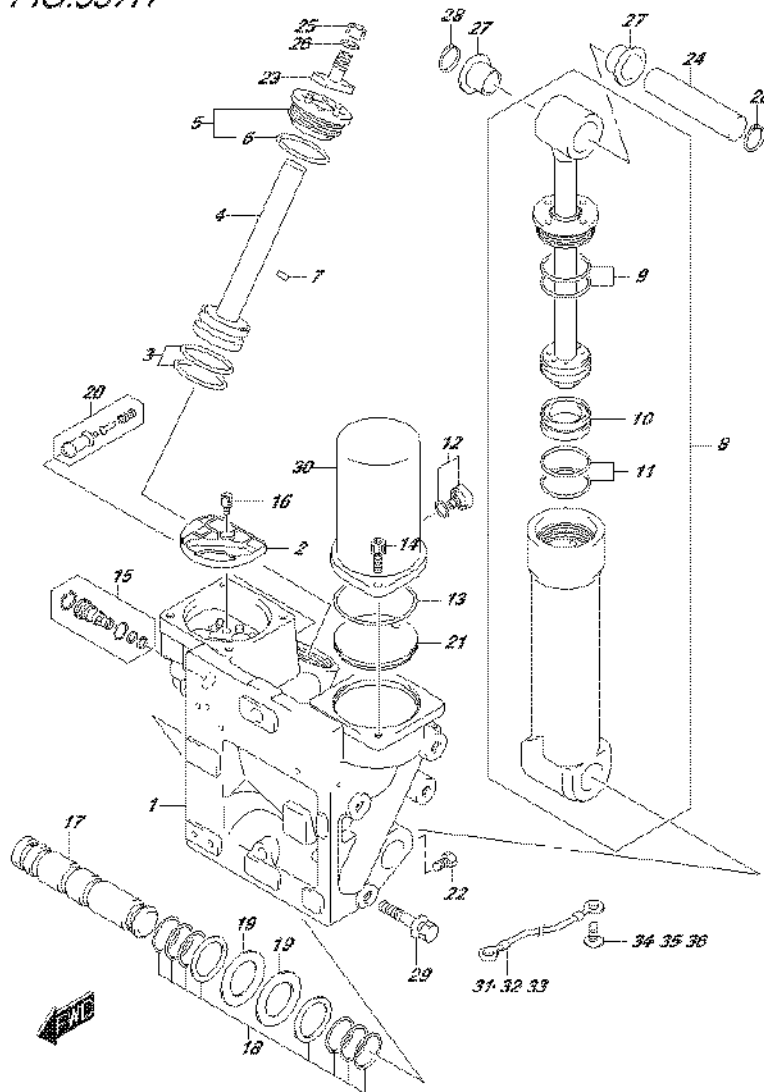


FIG.337H (2-L-9) TRIM CYLINDER TRANSOM(X,XX) (DF225Z E40)

REF NO.	PART NO.	DESCRIPTION	Q'TY	REMARKS
1	48500-93J05	MANIFOLD ASSY	1	
2	48582-95E01	.FILTER	1	
3	48605-93J00	.O RING SET	2	
4	48610-93J01	.PISTON / RAM	2	
5	48630-98J01	.ROD GUIDE	2	
6	48633-93J00	.O RING	2	
7	48691-93J00	.CHECK VALVE	1	
8	48400-93J06	CYLINDER ASSY	1	
9	48405-93J00	.O RING SET	1	
10	48650-93J00	.PISTON, FREE	1	
11	48627-93J00	.O RING SET	1	
12	48572-87J10	PLUG	1	
13	48585-95E00	O RING	1	
14	48862-87J20	BOLT, RESERVOIR	2	
15	48864-93J01	MANUAL VALVE	1	
16	48583-95E00	JOINT, DRIVE	1	
17	48121-93J13	SHAFT	1	
18	48125-93J00	O RING SET	1	
19	48126-93J00	WASHER, TILT CYL TO MANIF	2	
20	48320-93J00	VALVE SET, UP BLOW	1	
21	48573-93J00	COVER	1	
22	48128-93J11	BOLT	1	
23	48311-96J10	PAD, TRIM CYL RAM	2	
24	48321-93J00	SHAFT, TILT CYL UPPER	1	
25	29141-93J20	NUT, TRIM CYL RAM	2	
26	09162-10005	LOCK WASHER	2	
27	09306-24001	BUSH	2	
28	09380-21002	CIRCLIP	2	
29	09116-10175	BOLT (10X50)	8	
30	48571-93J00	RESERVOIR TANK	1	
31	36894-87D00	LEAD, PTT TO ANODE	1	
32	36895-87D01	LEAD, PTT TO ANODE	1	
33	36895-87D01	LEAD, PTT TO ANODE	1	
34	09125-06063	SCREW (6X10)	1	
35	09125-06063	SCREW (6X10)	1	
36	09125-06063	SCREW (6X10)	1	

FIG.337J

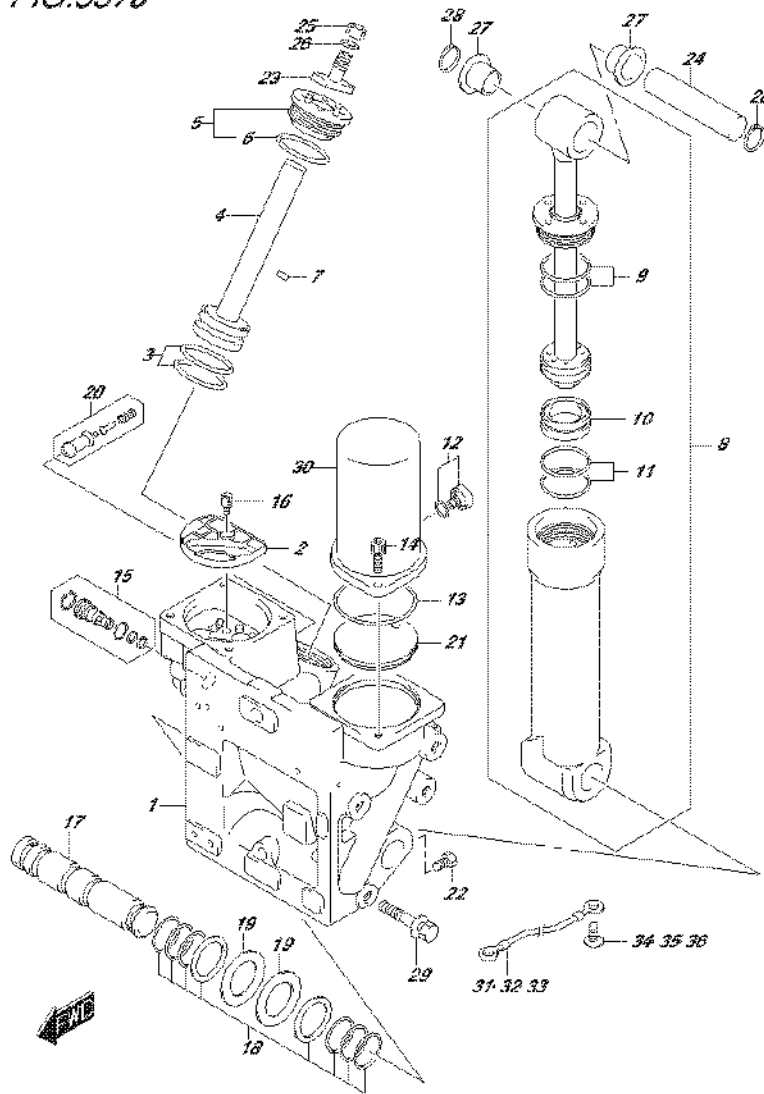


FIG.337J (2-L-10) TRIM CYLINDER TRANSOM(X,XX) (DF250T E01)

REF NO.	PART NO.	DESCRIPTION	Q'TY	REMARKS
1	48500-93J05	MANIFOLD ASSY	1	
2	48582-95E01	.FILTER	1	
3	48605-93J00	.O RING SET	2	
4	48610-93J01	.PISTON / RAM	2	
5	48630-98J01	.ROD GUIDE	2	
6	48633-93J00	.O RING	2	
7	48691-93J00	.CHECK VALVE	1	
8	48400-93J06	CYLINDER ASSY	1	
9	48405-93J00	.O RING SET	1	
10	48650-93J00	.PISTON, FREE	1	
11	48627-93J00	.O RING SET	1	
12	48572-87J10	PLUG	1	
13	48585-95E00	O RING	1	
14	48862-87J20	BOLT, RESERVOIR	2	
15	48864-93J01	MANUAL VALVE	1	
16	48583-95E00	JOINT, DRIVE	1	
17	48121-93J13	SHAFT	1	
18	48125-93J00	O RING SET	1	
19	48126-93J00	WASHER, TILT CYL TO MANIF	2	
20	48320-93J00	VALVE SET, UP BLOW	1	
21	48573-93J00	COVER	1	
22	48128-93J11	BOLT	1	
23	48311-96J10	PAD, TRIM CYL RAM	2	
24	48321-93J00	SHAFT, TILT CYL UPPER	1	
25	29141-93J20	NUT, TRIM CYL RAM	2	
26	09162-10005	LOCK WASHER	2	
27	09306-24001	BUSH	2	
28	09380-21002	CIRCLIP	2	
29	09116-10175	BOLT (10X50)	8	
30	48571-93J00	RESERVOIR TANK	1	
31	36894-87D00	LEAD, PTT TO ANODE	1	
32	36895-87D01	LEAD, PTT TO ANODE	1	
33	36895-87D01	LEAD, PTT TO ANODE	1	
34	09125-06063	SCREW (6X10)	1	
35	09125-06063	SCREW (6X10)	1	
36	09125-06063	SCREW (6X10)	1	

FIG.337K

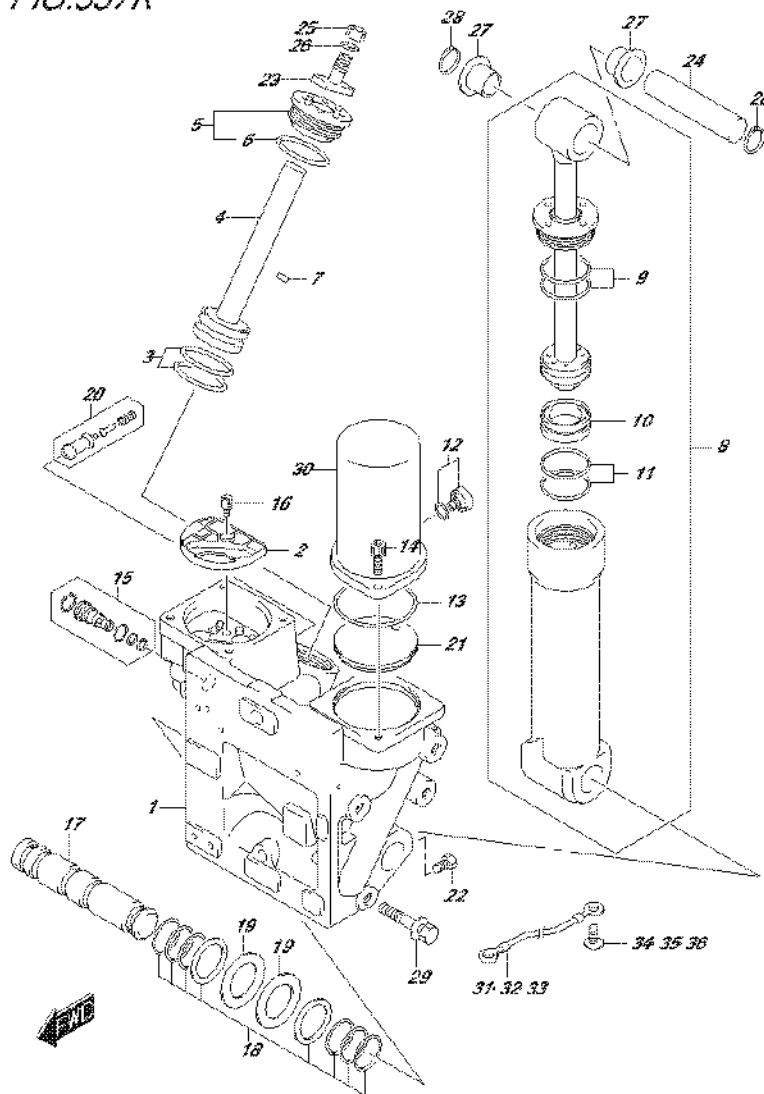


FIG.337K (2-L-11) TRIM CYLINDER TRANSOM(X,XX) (DF250T E40)

REF NO.	PART NO.	DESCRIPTION	Q'TY	REMARKS
1	48500-93J05	MANIFOLD ASSY	1	
2	48582-95E01	.FILTER	1	
3	48605-93J00	.O RING SET	2	
4	48610-93J01	.PISTON / RAM	2	
5	48630-98J01	.ROD GUIDE	2	
6	48633-93J00	..O RING	2	
7	48691-93J00	.CHECK VALVE	1	
8	48400-93J06	CYLINDER ASSY	1	
9	48405-93J00	.O RING SET	1	
10	48650-93J00	.PISTON, FREE	1	
11	48627-93J00	.O RING SET	1	
12	48572-87J10	PLUG	1	
13	48585-95E00	O RING	1	
14	48862-87J20	BOLT, RESERVOIR	2	
15	48864-93J01	MANUAL VALVE	1	
16	48583-95E00	JOINT, DRIVE	1	
17	48121-93J13	SHAFT	1	
18	48125-93J00	O RING SET	1	
19	48126-93J00	WASHER, TILT CYL TO MANIF	2	
20	48320-93J00	VALVE SET, UP BLOW	1	
21	48573-93J00	COVER	1	
22	48128-93J11	BOLT	1	
23	48311-96J10	PAD, TRIM CYL RAM	2	
24	48321-93J00	SHAFT, TILT CYL UPPER	1	
25	29141-93J20	NUT, TRIM CYL RAM	2	
26	09162-10005	LOCK WASHER	2	
27	09306-24001	BUSH	2	
28	09380-21002	CIRCLIP	2	
29	09116-10175	BOLT (10X50)	8	
30	48571-93J00	RESERVOIR TANK	1	
31	36894-87D00	LEAD, PTT TO ANODE	1	
32	36895-87D01	LEAD, PTT TO ANODE	1	
33	36895-87D01	LEAD, PTT TO ANODE	1	
34	09125-06063	SCREW (6X10)	1	
35	09125-06063	SCREW (6X10)	1	
36	09125-06063	SCREW (6X10)	1	

FIG.337L

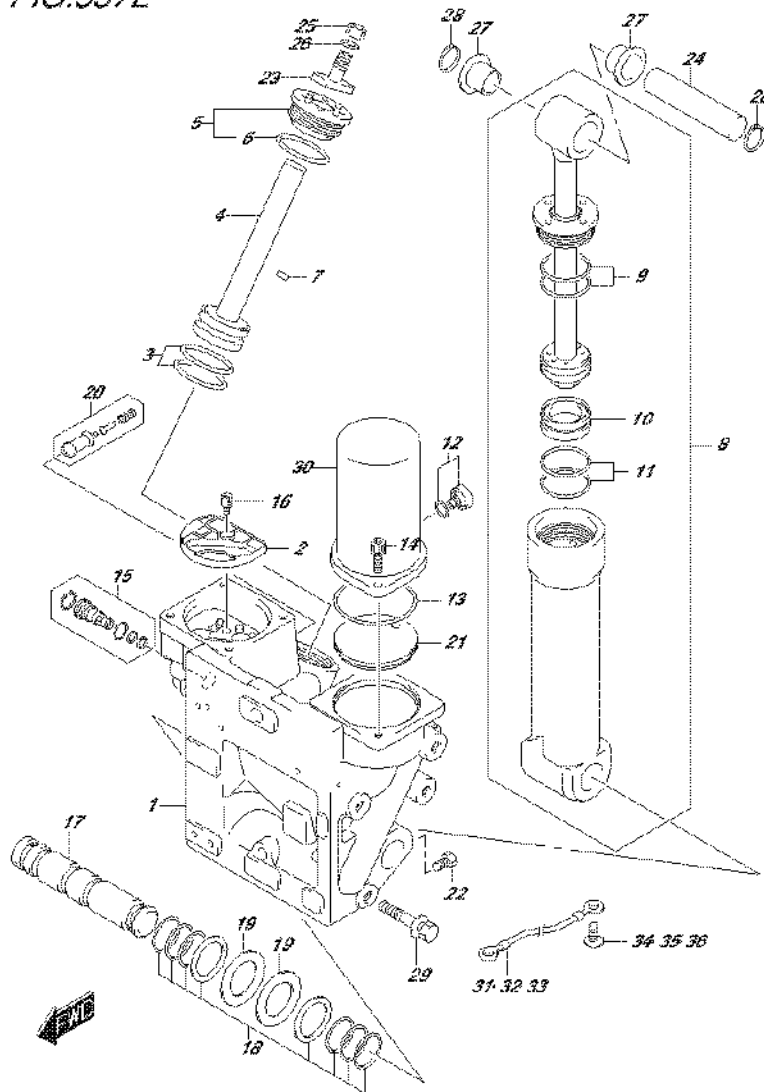


FIG.337L (2-L-12) TRIM CYLINDER TRANSOM(X,XX) (DF250Z E01)

REF NO.	PART NO.	DESCRIPTION	Q'TY	REMARKS
1	48500-93J05	MANIFOLD ASSY	1	
2	48582-95E01	.FILTER	1	
3	48605-93J00	.O RING SET	2	
4	48610-93J01	.PISTON / RAM	2	
5	48630-98J01	.ROD GUIDE	2	
6	48633-93J00	.O RING	2	
7	48691-93J00	.CHECK VALVE	1	
8	48400-93J06	CYLINDER ASSY	1	
9	48405-93J00	.O RING SET	1	
10	48650-93J00	.PISTON, FREE	1	
11	48627-93J00	.O RING SET	1	
12	48572-87J10	PLUG	1	
13	48585-95E00	O RING	1	
14	48862-87J20	BOLT, RESERVOIR	2	
15	48864-93J01	MANUAL VALVE	1	
16	48583-95E00	JOINT, DRIVE	1	
17	48121-93J13	SHAFT	1	
18	48125-93J00	O RING SET	1	
19	48126-93J00	WASHER, TILT CYL TO MANIF	2	
20	48320-93J00	VALVE SET, UP BLOW	1	
21	48573-93J00	COVER	1	
22	48128-93J11	BOLT	1	
23	48311-96J10	PAD, TRIM CYL RAM	2	
24	48321-93J00	SHAFT, TILT CYL UPPER	1	
25	29141-93J20	NUT, TRIM CYL RAM	2	
26	09162-10005	LOCK WASHER	2	
27	09306-24001	BUSH	2	
28	09380-21002	CIRCLIP	2	
29	09116-10175	BOLT (10X50)	8	
30	48571-93J00	RESERVOIR TANK	1	
31	36894-87D00	LEAD, PTT TO ANODE	1	
32	36895-87D01	LEAD, PTT TO ANODE	1	
33	36895-87D01	LEAD, PTT TO ANODE	1	
34	09125-06063	SCREW (6X10)	1	
35	09125-06063	SCREW (6X10)	1	
36	09125-06063	SCREW (6X10)	1	

FIG.337M

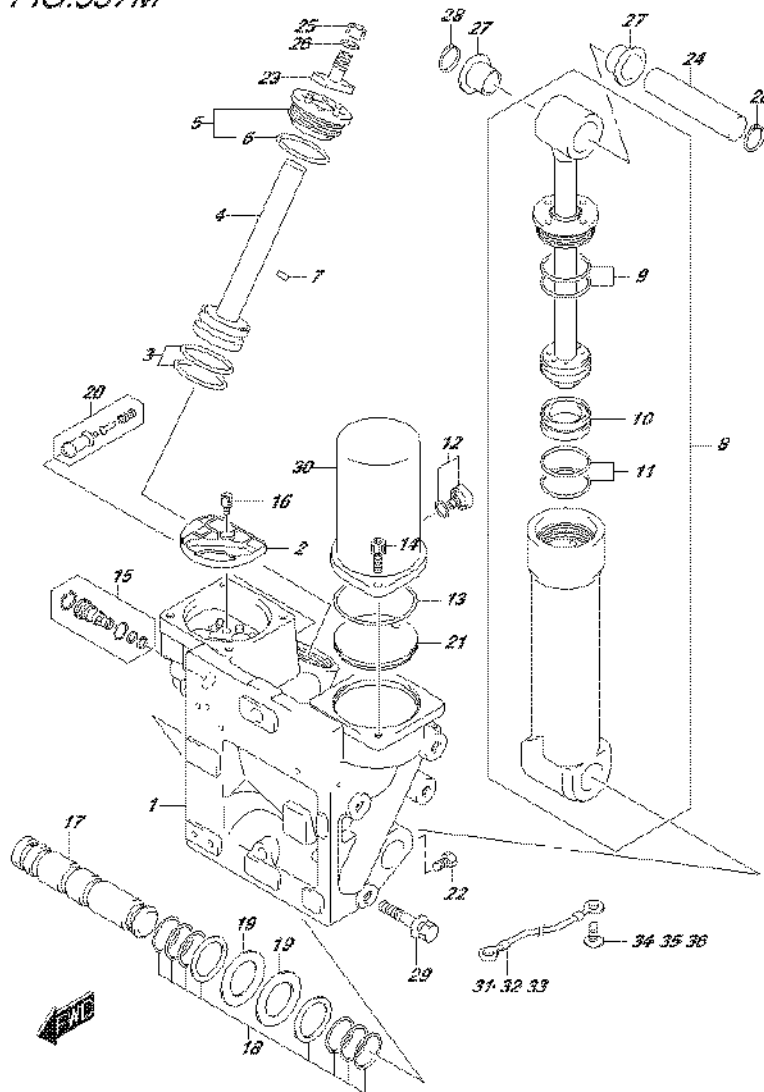


FIG.337M (2-L-13) TRIM CYLINDER TRANSOM(X,XX) (DF250Z E40)

REF NO.	PART NO.	DESCRIPTION	Q'TY	REMARKS
1	48500-93J05	MANIFOLD ASSY	1	
2	48582-95E01	.FILTER	1	
3	48605-93J00	.O RING SET	2	
4	48610-93J01	.PISTON / RAM	2	
5	48630-98J01	.ROD GUIDE	2	
6	48633-93J00	..O RING	2	
7	48691-93J00	.CHECK VALVE	1	
8	48400-93J06	CYLINDER ASSY	1	
9	48405-93J00	.O RING SET	1	
10	48650-93J00	.PISTON, FREE	1	
11	48627-93J00	.O RING SET	1	
12	48572-87J10	PLUG	1	
13	48585-95E00	O RING	1	
14	48862-87J20	BOLT, RESERVOIR	2	
15	48864-93J01	MANUAL VALVE	1	
16	48583-95E00	JOINT, DRIVE	1	
17	48121-93J13	SHAFT	1	
18	48125-93J00	O RING SET	1	
19	48126-93J00	WASHER, TILT CYL TO MANIF	2	
20	48320-93J00	VALVE SET, UP BLOW	1	
21	48573-93J00	COVER	1	
22	48128-93J11	BOLT	1	
23	48311-96J10	PAD, TRIM CYL RAM	2	
24	48321-93J00	SHAFT, TILT CYL UPPER	1	
25	29141-93J20	NUT, TRIM CYL RAM	2	
26	09162-10005	LOCK WASHER	2	
27	09306-24001	BUSH	2	
28	09380-21002	CIRCLIP	2	
29	09116-10175	BOLT (10X50)	8	
30	48571-93J00	RESERVOIR TANK	1	
31	36894-87D00	LEAD, PTT TO ANODE	1	
32	36895-87D01	LEAD, PTT TO ANODE	1	
33	36895-87D01	LEAD, PTT TO ANODE	1	
34	09125-06063	SCREW (6X10)	1	
35	09125-06063	SCREW (6X10)	1	
36	09125-06063	SCREW (6X10)	1	

FIG.337N

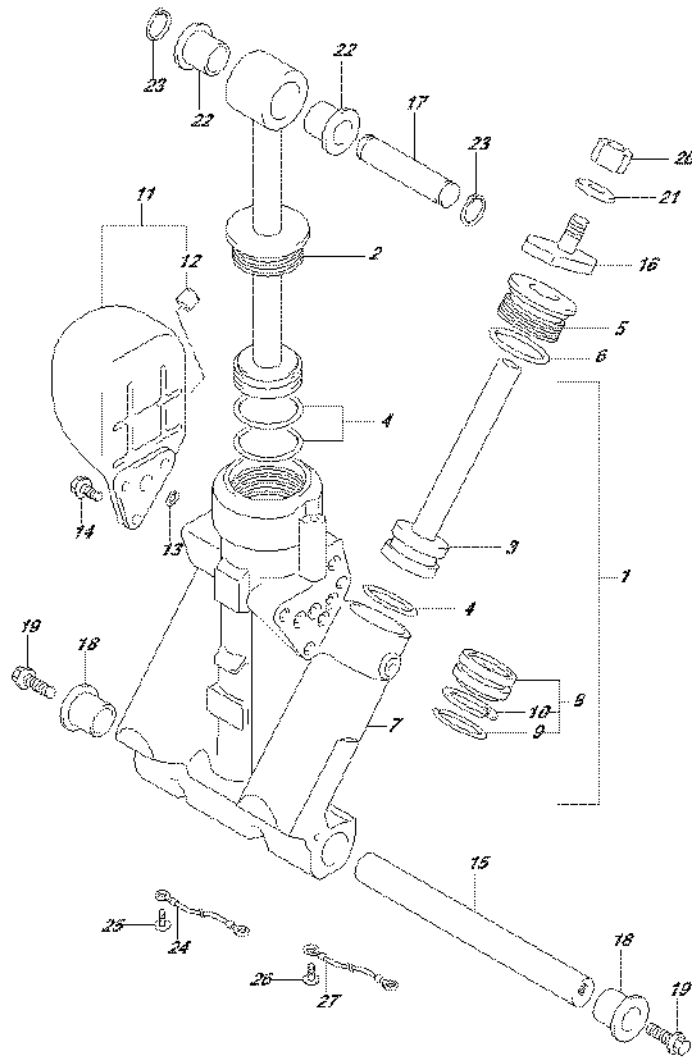


FIG.337N (2-L-14) TRIM CYLINDER TRANSOM(L) (DF200T E01)

REF NO.	PART NO.	DESCRIPTION	Q'TY	REMARKS
1	48503-93J12	MANIFOLD SUB ASSY	1	
2	48401-93J10	.PISTON ASSY	1	
3	48601-94900	.PISTON / RAM ASSY	2	
4	48627-95E00	.O RING SET	3	
5	48630-96J02	.HEAD, TRIM CYLINDER	2	
6	48633-94900	.O RING SET (2PCS)	2	
7	48641-96J02	.MANIFOLD, PTT	1	
8	48650-94900	.PISTON, FREE	1	
9	48405-87D00	..O RING	1	
10	48615-97E00	..RING SET, PISTON	1	
11	48570-95E01	RESERVOIR	1	
12	48572-95E00	.CAP	1	
13	48588-94900	O RING SET (6PCS)	1	
14	48861-92J01	BOLT, RESERVOIR	3	
15	48121-92J00	SHAFT, TILT CYL LOWER	1	
16	48311-96J20	PAD, TRIM CYL RAM	2	
17	48321-87D03	SHAFT, TILT CYL UPPER	1	
18	48326-95E00	BUSH, TILT CYL LOWER	2	
19	09116-10183	BOLT (10X35)	2	
20	29141-93J20	NUT, TRIM CYL RAM (M10)	2	
21	09162-10005	LOCK WASHER	2	
22	09306-17001	BUSH	2	
23	09380-17009	CIRCLIP	2	
24	36894-87D00	LEAD, PTT TO ANODE	1	
25	09125-06063	SCREW (6X10)	1	
26	09125-05050	SCREW (5X8)	1	
27	36895-87D10	LEAD, PTT TO ANODE L	1	

FIG.337P

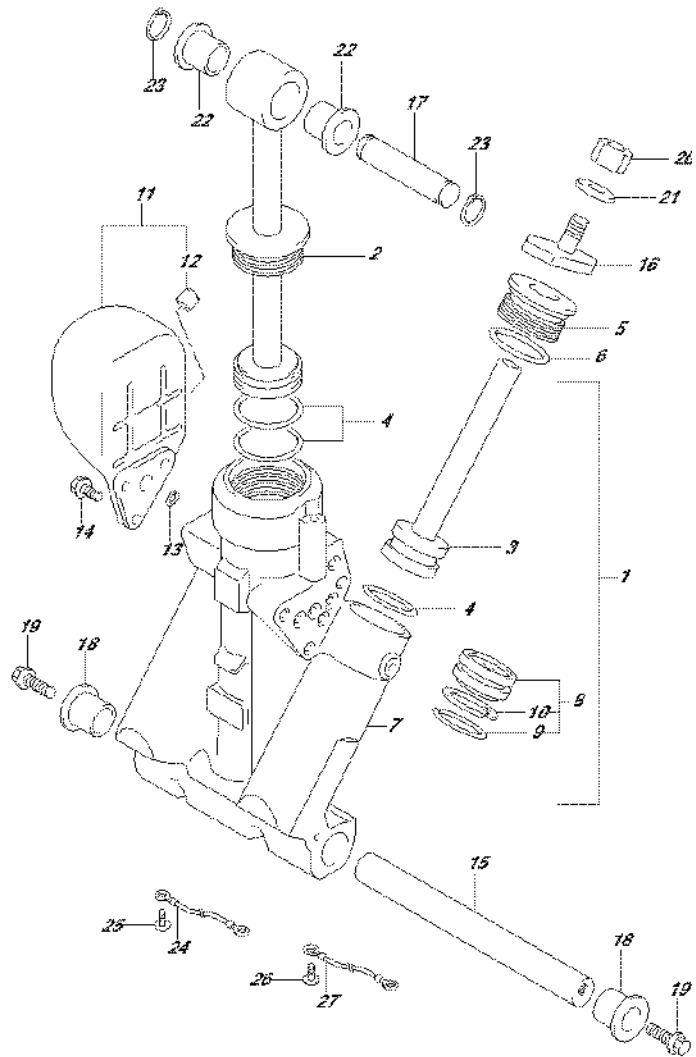


FIG.337P (2-L-15) TRIM CYLINDER TRANSOM(L) (DF200T E40)

REF NO.	PART NO.	DESCRIPTION	Q'TY	REMARKS
1	48503-93J12	MANIFOLD SUB ASSY	1	
2	48401-93J10	.PISTON ASSY	1	
3	48601-94900	.PISTON / RAM ASSY	2	
4	48627-95E00	.O RING SET	3	
5	48630-96J02	.HEAD, TRIM CYLINDER	2	
6	48633-94900	.O RING SET (2PCS)	2	
7	48641-96J02	.MANIFOLD, PTT	1	
8	48650-94900	.PISTON, FREE	1	
9	48405-87D00	..O RING	1	
10	48615-97E00	..RING SET, PISTON	1	
11	48570-95E01	RESERVOIR	1	
12	48572-95E00	.CAP	1	
13	48588-94900	O RING SET (6PCS)	1	
14	48861-92J01	BOLT, RESERVOIR	3	
15	48121-92J00	SHAFT, TILT CYL LOWER	1	
16	48311-96J20	PAD, TRIM CYL RAM	2	
17	48321-87D03	SHAFT, TILT CYL UPPER	1	
18	48326-95E00	BUSH, TILT CYL LOWER	2	
19	09116-10183	BOLT (10X35)	2	
20	29141-93J20	NUT, TRIM CYL RAM (M10)	2	
21	09162-10005	LOCK WASHER	2	
22	09306-17001	BUSH	2	
23	09380-17009	CIRCLIP	2	
24	36894-87D00	LEAD, PTT TO ANODE	1	
25	09125-06063	SCREW (6X10)	1	
26	09125-05050	SCREW (5X8)	1	
27	36895-87D10	LEAD, PTT TO ANODE L	1	

FIG.340A

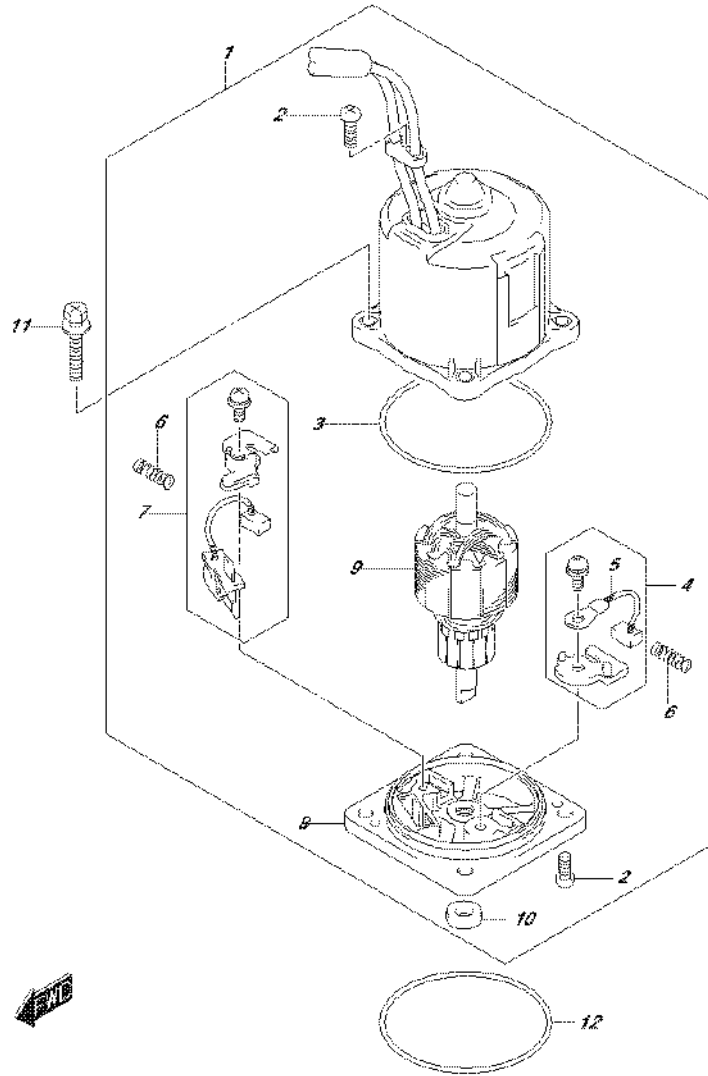


FIG.340A (3-B-2) PTT MOTOR TRANSOM(X,XX) (DF200T E01)

REF NO.	PART NO.	DESCRIPTION	Q'TY	REMARKS
1	38100-93J03	MOTOR ASSY, PTT	1	
2	31111-94900	.SCREW, YOKE	3	
3	31123-94910	.O RING	1	
4	31133-90J00	.BRUSH SET, PLUS	1	
5	31133-94900	.BRUSH	1	
6	31135-94900	.SPRING	2	
7	31136-90J10	.BREAKER	1	
8	31173-94910	.HOLDER, BRUSH	1	
9	31311-93J00	.ARMATURE	1	
10	33799-97E00	.OIL SEAL	1	
11	31281-92J10	BOLT	4	
12	48585-95E00	O RING	1	

FIG.340B

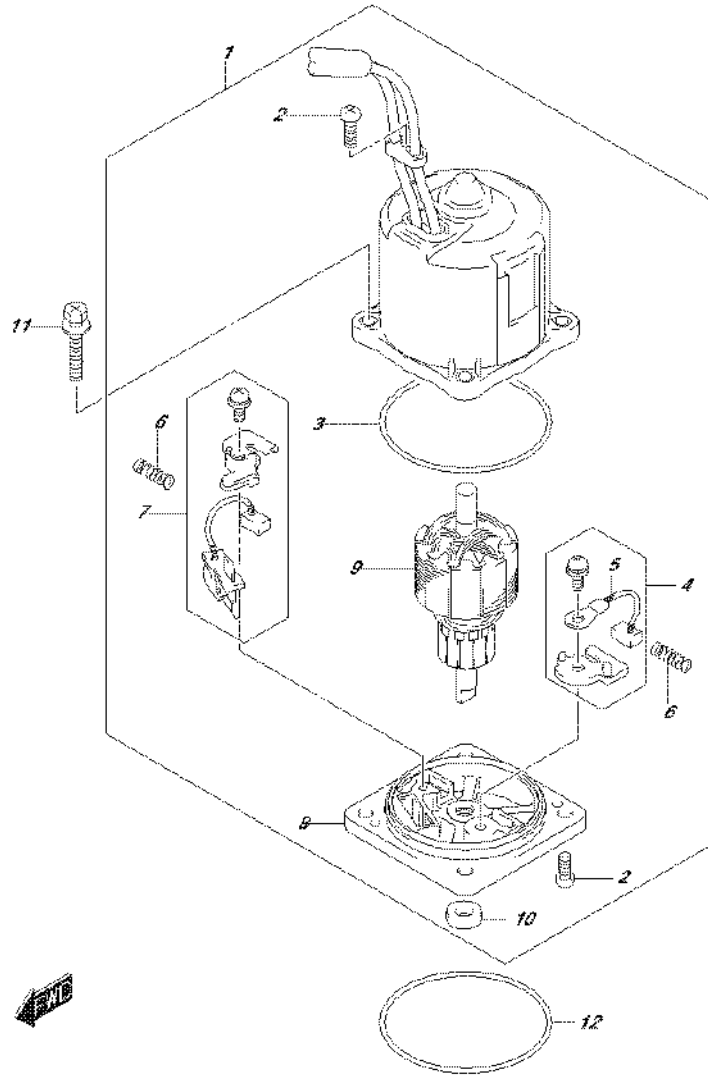


FIG.340B (3-B-3) PTT MOTOR TRANSOM(X) (DF200T E40)

REF NO.	PART NO.	DESCRIPTION	Q'TY	REMARKS
1	38100-93J03	MOTOR ASSY, PTT	1	
2	31111-94900	.SCREW, YOKE	3	
3	31123-94910	.O RING	1	
4	31133-90J00	.BRUSH SET, PLUS	1	
5	31133-94900	.BRUSH	1	
6	31135-94900	.SPRING	2	
7	31136-90J10	.BREAKER	1	
8	31173-94910	.HOLDER, BRUSH	1	
9	31311-93J00	.ARMATURE	1	
10	33799-97E00	.OIL SEAL	1	
11	31281-92J10	BOLT	4	
12	48585-95E00	O RING	1	

FIG.340C

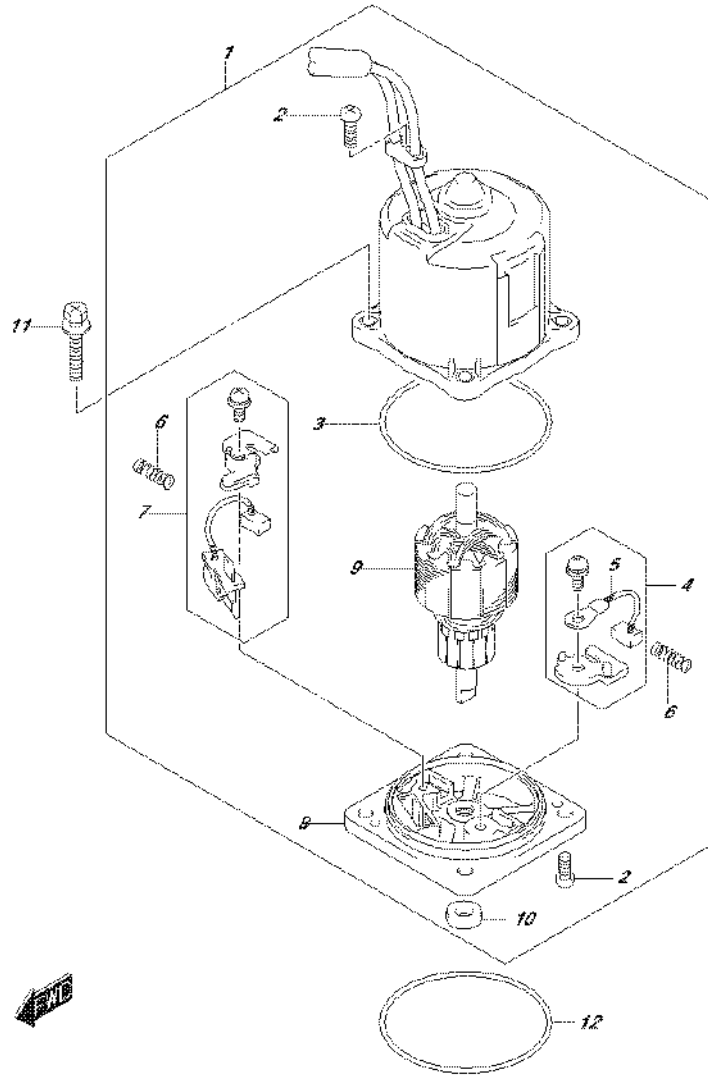


FIG.340C (3-B-4) PTT MOTOR TRANSOM(X,XX) (DF200Z E01)

REF NO.	PART NO.	DESCRIPTION	Q'TY	REMARKS
1	38100-93J03	MOTOR ASSY, PTT	1	
2	31111-94900	.SCREW, YOKE	3	
3	31123-94910	.O RING	1	
4	31133-90J00	.BRUSH SET, PLUS	1	
5	31133-94900	.BRUSH	1	
6	31135-94900	.SPRING	2	
7	31136-90J10	.BREAKER	1	
8	31173-94910	.HOLDER, BRUSH	1	
9	31311-93J00	.ARMATURE	1	
10	33799-97E00	.OIL SEAL	1	
11	31281-92J10	BOLT	4	
12	48585-95E00	O RING	1	

FIG.340D

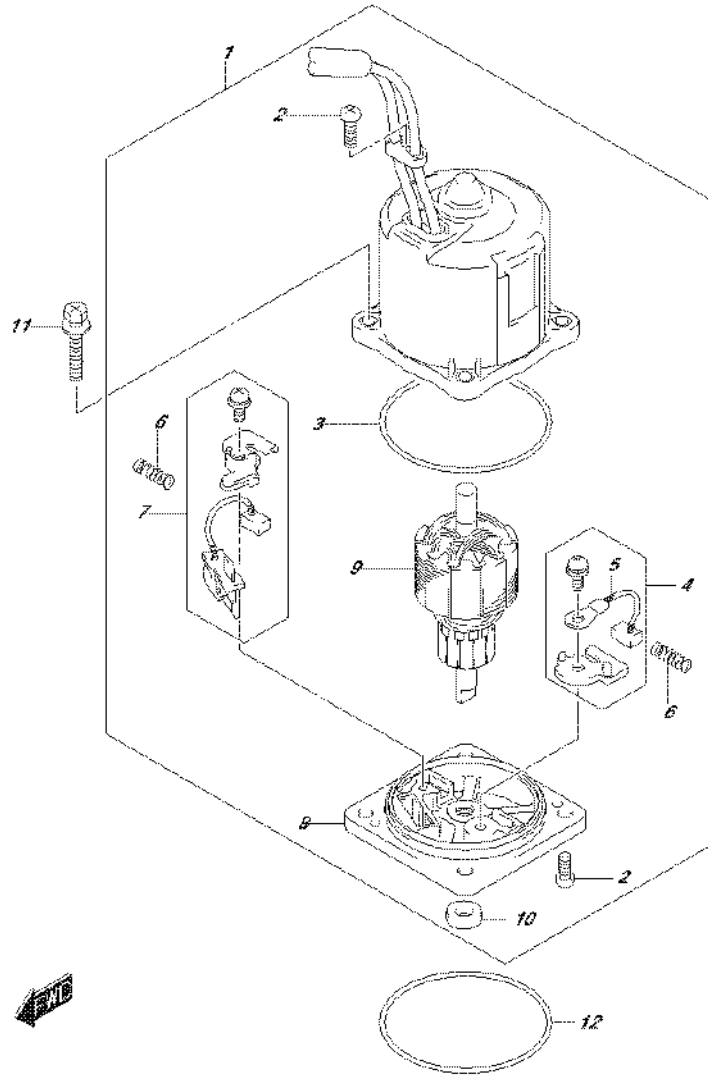


FIG.340D (3-B-5) PTT MOTOR TRANSOM(X) (DF200Z E40)

REF NO.	PART NO.	DESCRIPTION	Q'TY	REMARKS
1	38100-93J03	MOTOR ASSY, PTT	1	
2	31111-94900	.SCREW, YOKE	3	
3	31123-94910	.O RING	1	
4	31133-90J00	.BRUSH SET, PLUS	1	
5	31133-94900	.BRUSH	1	
6	31135-94900	.SPRING	2	
7	31136-90J10	.BREAKER	1	
8	31173-94910	.HOLDER, BRUSH	1	
9	31311-93J00	.ARMATURE	1	
10	33799-97E00	.OIL SEAL	1	
11	31281-92J10	BOLT	4	
12	48585-95E00	O RING	1	

FIG.340E

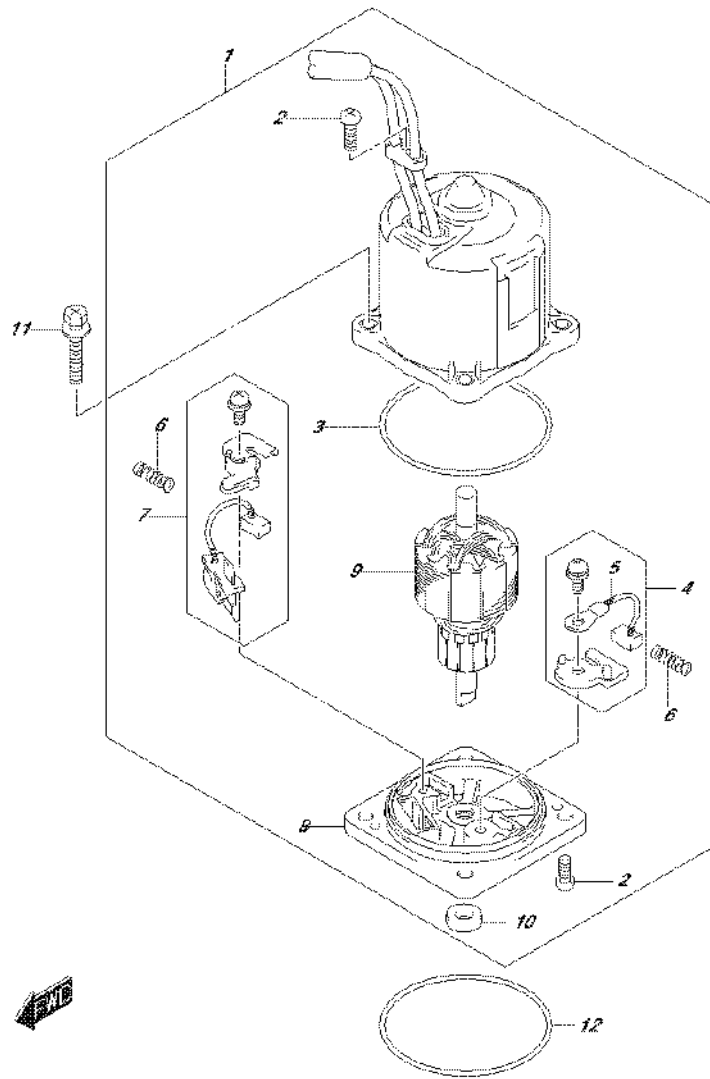


FIG.340E (3-B-6) PTT MOTOR TRANSOM(X,XX) (DF225T E01)

REF NO.	PART NO.	DESCRIPTION	Q'TY	REMARKS
1	38100-93J03	MOTOR ASSY, PTT	1	
2	31111-94900	.SCREW, YOKE	3	
3	31123-94910	.O RING	1	
4	31133-90J00	.BRUSH SET, PLUS	1	
5	31133-94900	.BRUSH	1	
6	31135-94900	.SPRING	2	
7	31136-90J10	.BREAKER	1	
8	31173-94910	.HOLDER, BRUSH	1	
9	31311-93J00	.ARMATURE	1	
10	33799-97E00	.OIL SEAL	1	
11	31281-92J10	BOLT	4	
12	48585-95E00	O RING	1	

FIG.340F

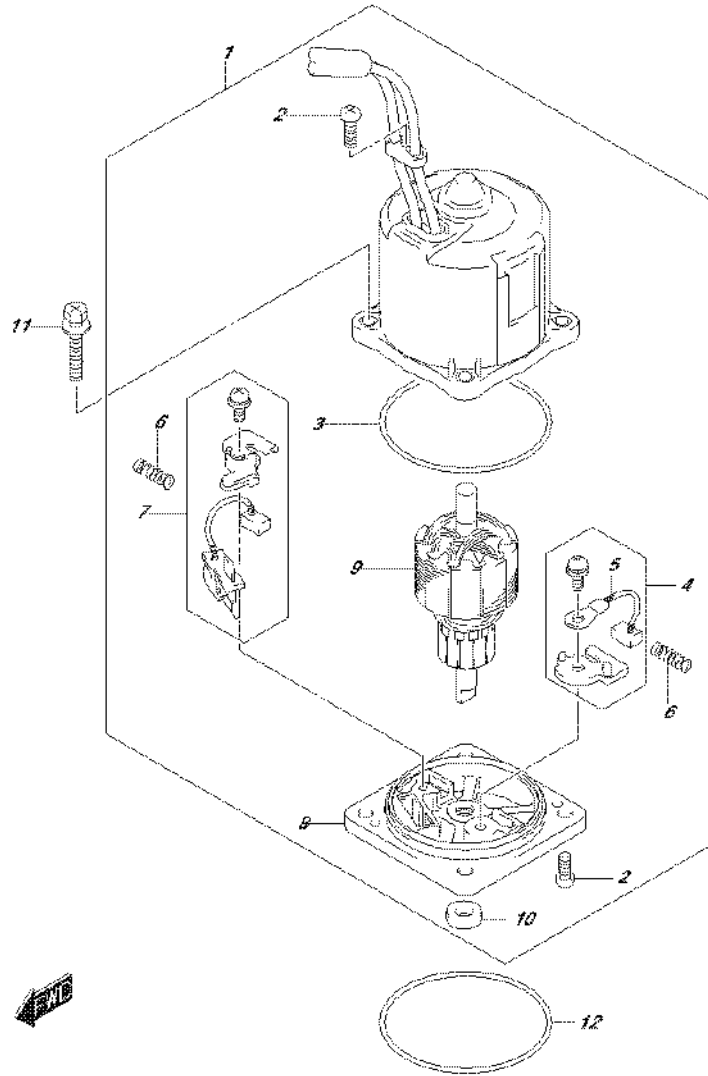


FIG.340F (3-B-7) PTT MOTOR TRANSOM(X,XX) (DF225T E40)

REF NO.	PART NO.	DESCRIPTION	Q'TY	REMARKS
1	38100-93J03	MOTOR ASSY, PTT	1	
2	31111-94900	.SCREW, YOKE	3	
3	31123-94910	.O RING	1	
4	31133-90J00	.BRUSH SET, PLUS	1	
5	31133-94900	.BRUSH	1	
6	31135-94900	.SPRING	2	
7	31136-90J10	.BREAKER	1	
8	31173-94910	.HOLDER, BRUSH	1	
9	31311-93J00	.ARMATURE	1	
10	33799-97E00	.OIL SEAL	1	
11	31281-92J10	BOLT	4	
12	48585-95E00	O RING	1	

FIG.340G

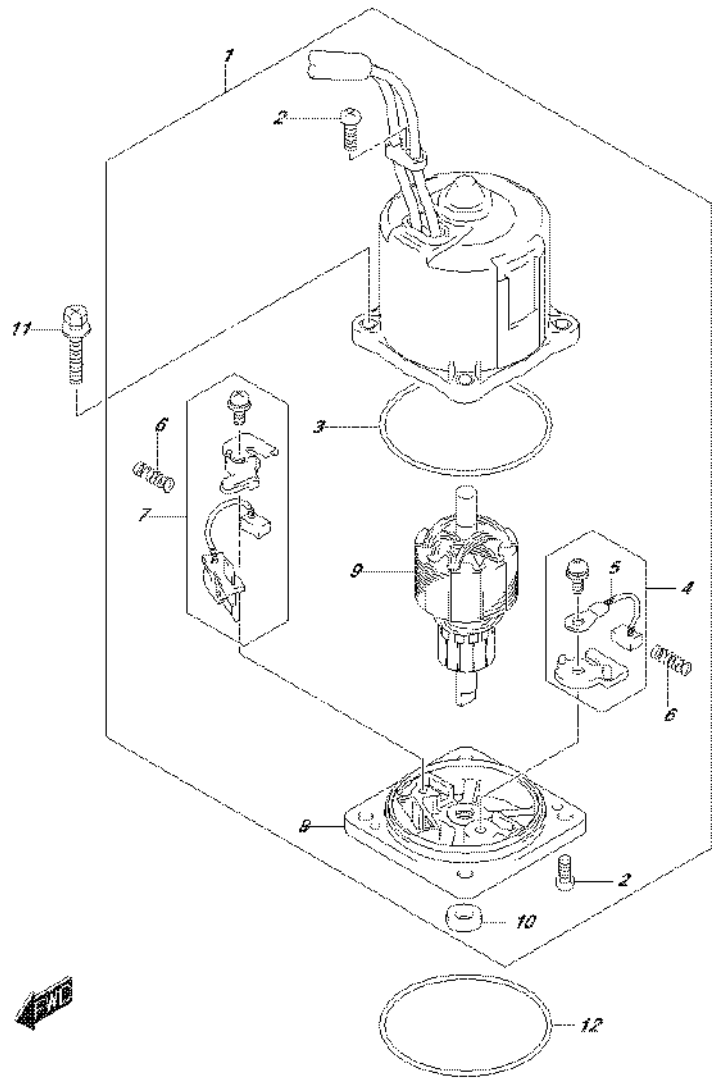


FIG.340G (3-B-8) PTT MOTOR TRANSOM(X,XX) (DF225Z E01)

REF NO.	PART NO.	DESCRIPTION	Q'TY	REMARKS
1	38100-93J03	MOTOR ASSY, PTT	1	
2	31111-94900	.SCREW, YOKE	3	
3	31123-94910	.O RING	1	
4	31133-90J00	.BRUSH SET, PLUS	1	
5	31133-94900	.BRUSH	1	
6	31135-94900	.SPRING	2	
7	31136-90J10	.BREAKER	1	
8	31173-94910	.HOLDER, BRUSH	1	
9	31311-93J00	.ARMATURE	1	
10	33799-97E00	.OIL SEAL	1	
11	31281-92J10	BOLT	4	
12	48585-95E00	O RING	1	

FIG.340H

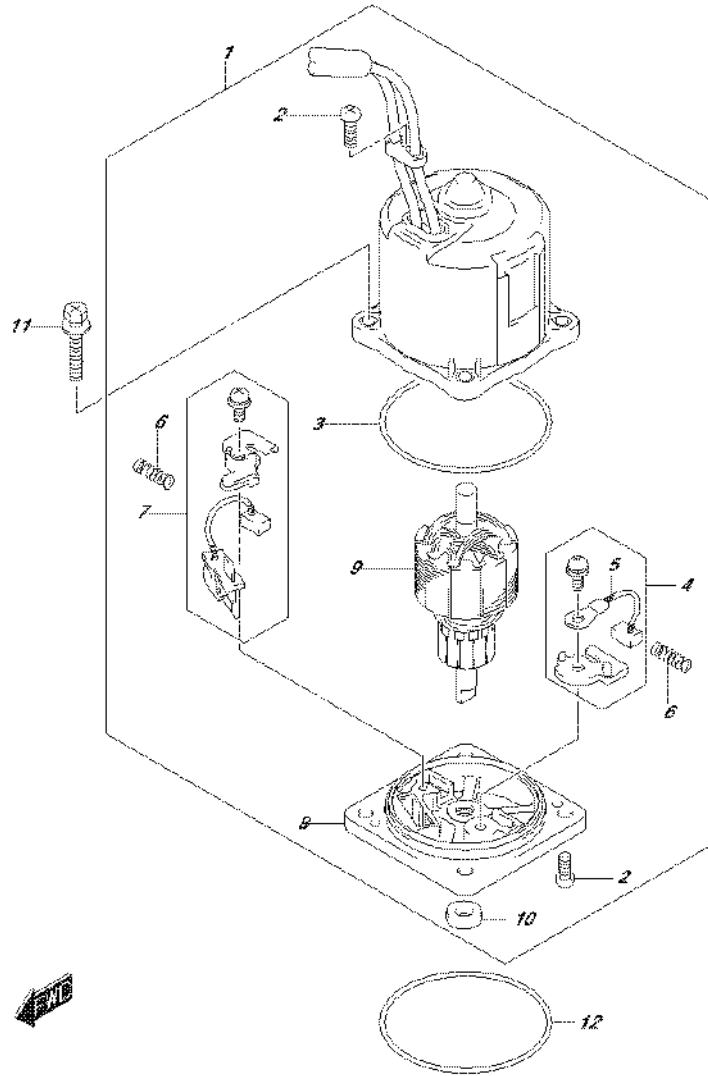


FIG.340H (3-B-9) PTT MOTOR TRANSOM(X,XX) (DF225Z E40)

REF NO.	PART NO.	DESCRIPTION	Q'TY	REMARKS
1	38100-93J03	MOTOR ASSY, PTT	1	
2	31111-94900	.SCREW, YOKE	3	
3	31123-94910	.O RING	1	
4	31133-90J00	.BRUSH SET, PLUS	1	
5	31133-94900	.BRUSH	1	
6	31135-94900	.SPRING	2	
7	31136-90J10	.BREAKER	1	
8	31173-94910	.HOLDER, BRUSH	1	
9	31311-93J00	.ARMATURE	1	
10	33799-97E00	.OIL SEAL	1	
11	31281-92J10	BOLT	4	
12	48585-95E00	O RING	1	

FIG.340J

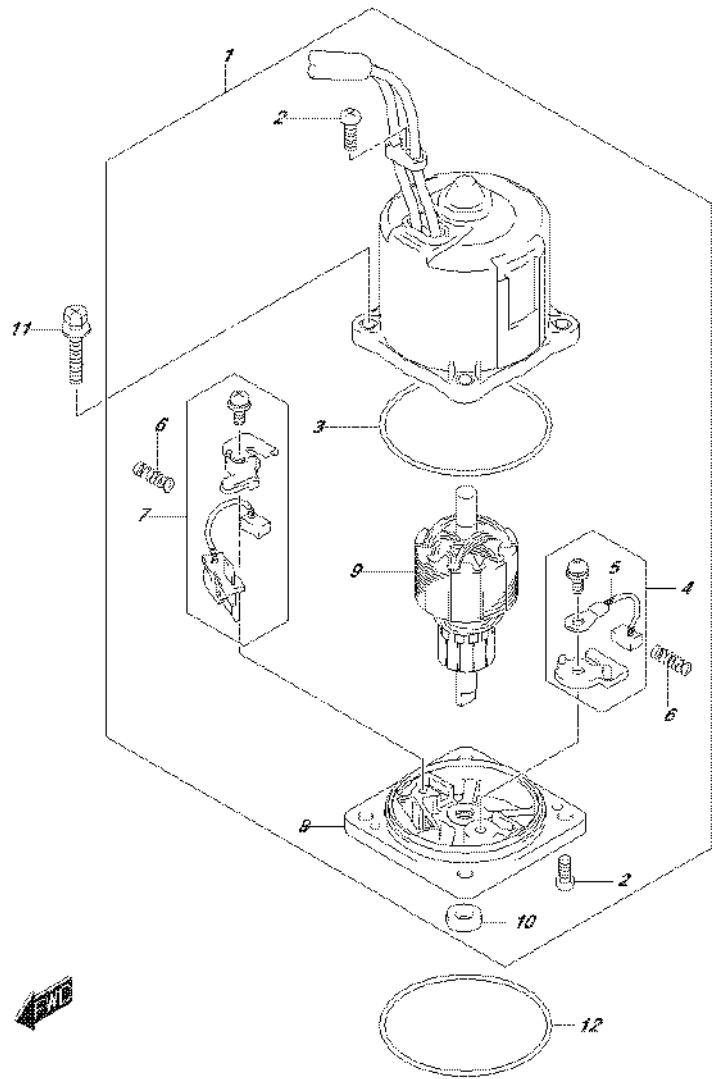


FIG.340J (3-B-10) PTT MOTOR TRANSOM(X,XX) (DF250T E01)

REF NO.	PART NO.	DESCRIPTION	Q'TY	REMARKS
1	38100-93J03	MOTOR ASSY, PTT	1	
2	31111-94900	.SCREW, YOKE	3	
3	31123-94910	.O RING	1	
4	31133-90J00	.BRUSH SET, PLUS	1	
5	31133-94900	.BRUSH	1	
6	31135-94900	.SPRING	2	
7	31136-90J10	.BREAKER	1	
8	31173-94910	.HOLDER, BRUSH	1	
9	31311-93J00	.ARMATURE	1	
10	33799-97E00	.OIL SEAL	1	
11	31281-92J10	BOLT	4	
12	48585-95E00	O RING	1	

FIG.340K

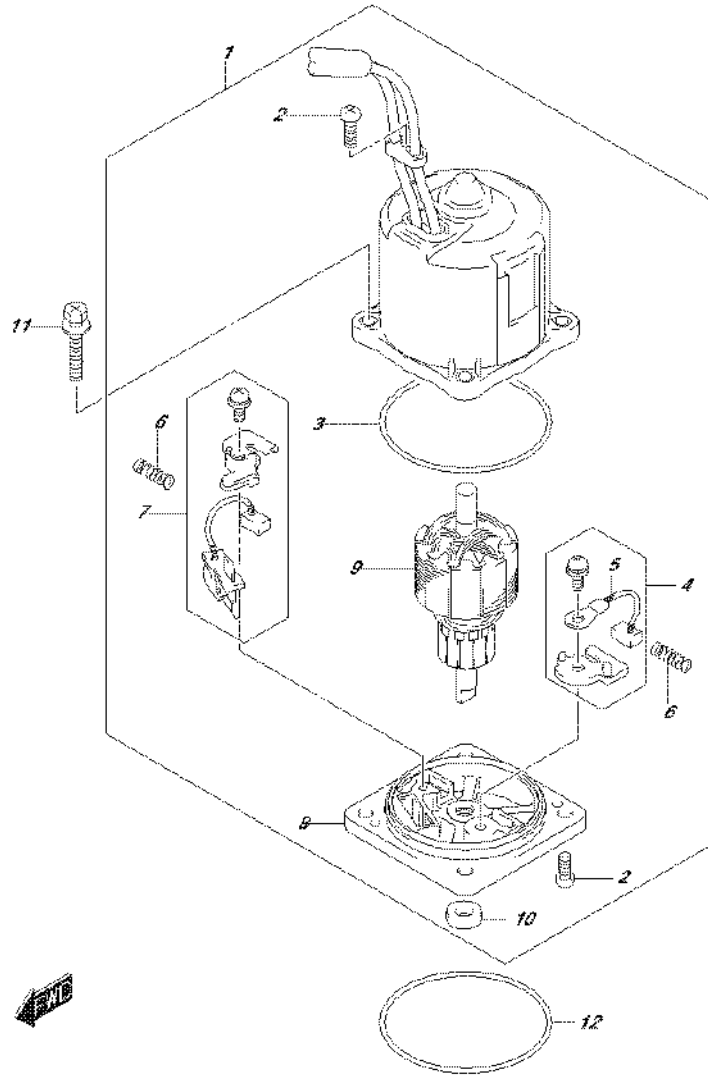


FIG.340K (3-B-11) PTT MOTOR TRANSOM(X,XX) (DF250T E40)

REF NO.	PART NO.	DESCRIPTION	Q'TY	REMARKS
1	38100-93J03	MOTOR ASSY, PTT	1	
2	31111-94900	.SCREW, YOKE	3	
3	31123-94910	.O RING	1	
4	31133-90J00	.BRUSH SET, PLUS	1	
5	31133-94900	.BRUSH	1	
6	31135-94900	.SPRING	2	
7	31136-90J10	.BREAKER	1	
8	31173-94910	.HOLDER, BRUSH	1	
9	31311-93J00	.ARMATURE	1	
10	33799-97E00	.OIL SEAL	1	
11	31281-92J10	BOLT	4	
12	48585-95E00	O RING	1	

FIG.340L

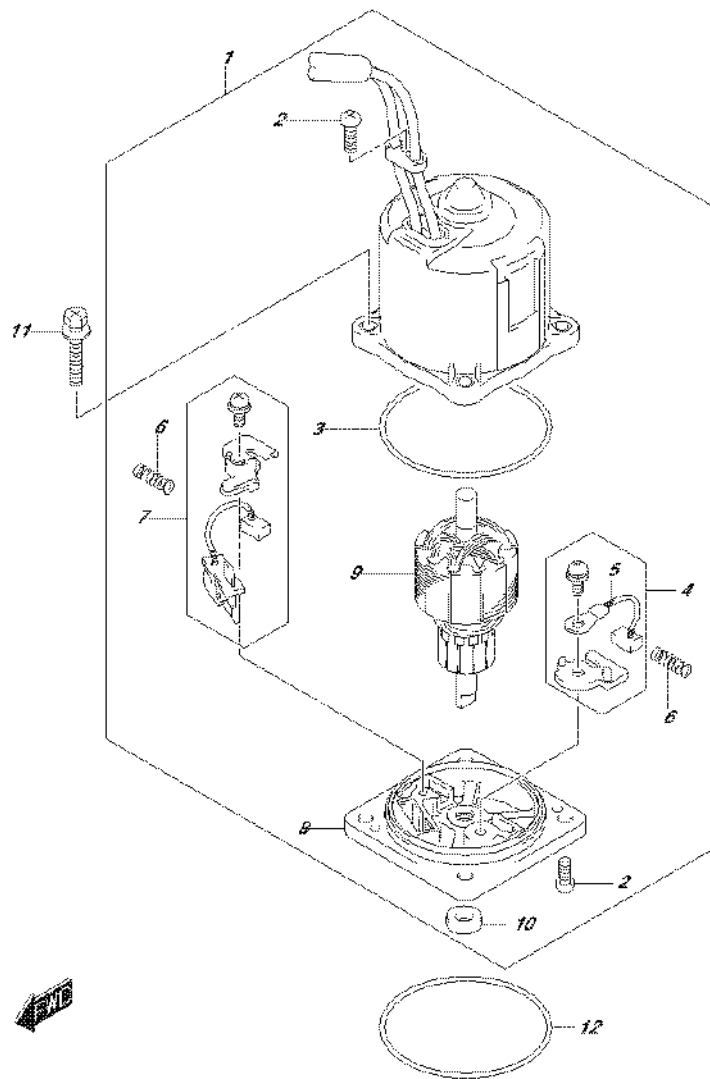


FIG.340L (3-B-12) PTT MOTOR TRANSOM(X,XX) (DF250Z E01)

REF NO.	PART NO.	DESCRIPTION	Q'TY	REMARKS
1	38100-93J03	MOTOR ASSY, PTT	1	
2	31111-94900	.SCREW, YOKE	3	
3	31123-94910	.O RING	1	
4	31133-90J00	.BRUSH SET, PLUS	1	
5	31133-94900	.BRUSH	1	
6	31135-94900	.SPRING	2	
7	31136-90J10	.BREAKER	1	
8	31173-94910	.HOLDER, BRUSH	1	
9	31311-93J00	.ARMATURE	1	
10	33799-97E00	.OIL SEAL	1	
11	31281-92J10	BOLT	4	
12	48585-95E00	O RING	1	

FIG.340M

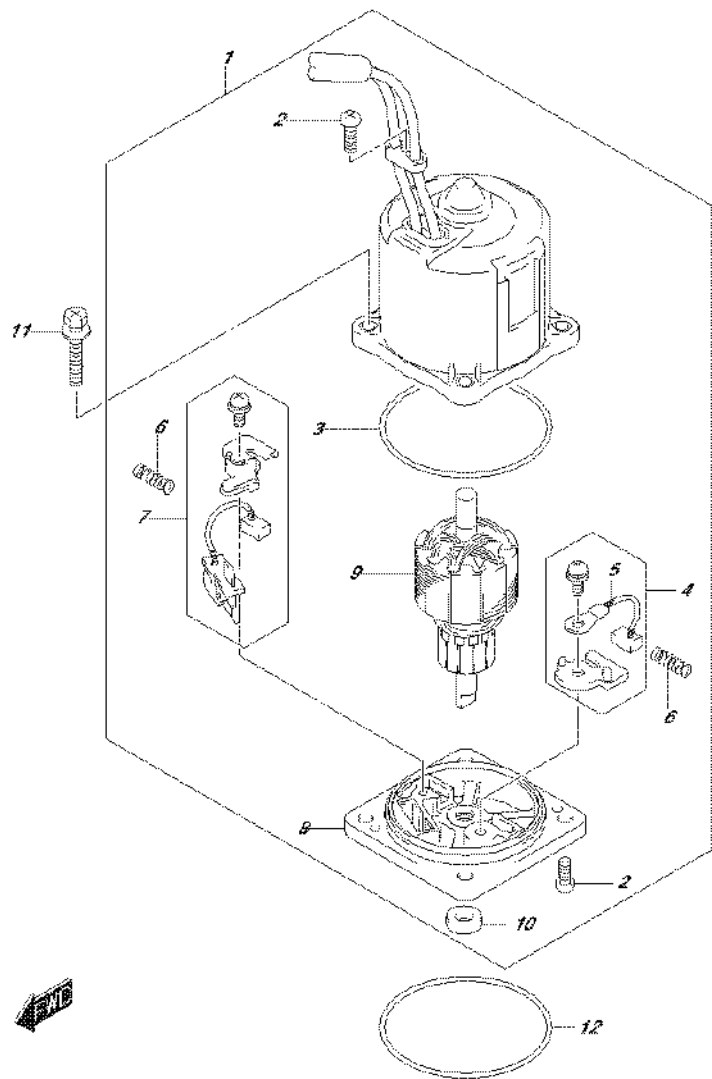


FIG.340M (3-B-13) PTT MOTOR TRANSOM(X,XX) (DF250Z E40)

REF NO.	PART NO.	DESCRIPTION	Q'TY	REMARKS
1	38100-93J03	MOTOR ASSY, PTT	1	
2	31111-94900	.SCREW, YOKE	3	
3	31123-94910	.O RING	1	
4	31133-90J00	.BRUSH SET, PLUS	1	
5	31133-94900	.BRUSH	1	
6	31135-94900	.SPRING	2	
7	31136-90J10	.BREAKER	1	
8	31173-94910	.HOLDER, BRUSH	1	
9	31311-93J00	.ARMATURE	1	
10	33799-97E00	.OIL SEAL	1	
11	31281-92J10	BOLT	4	
12	48585-95E00	O RING	1	

FIG.340N

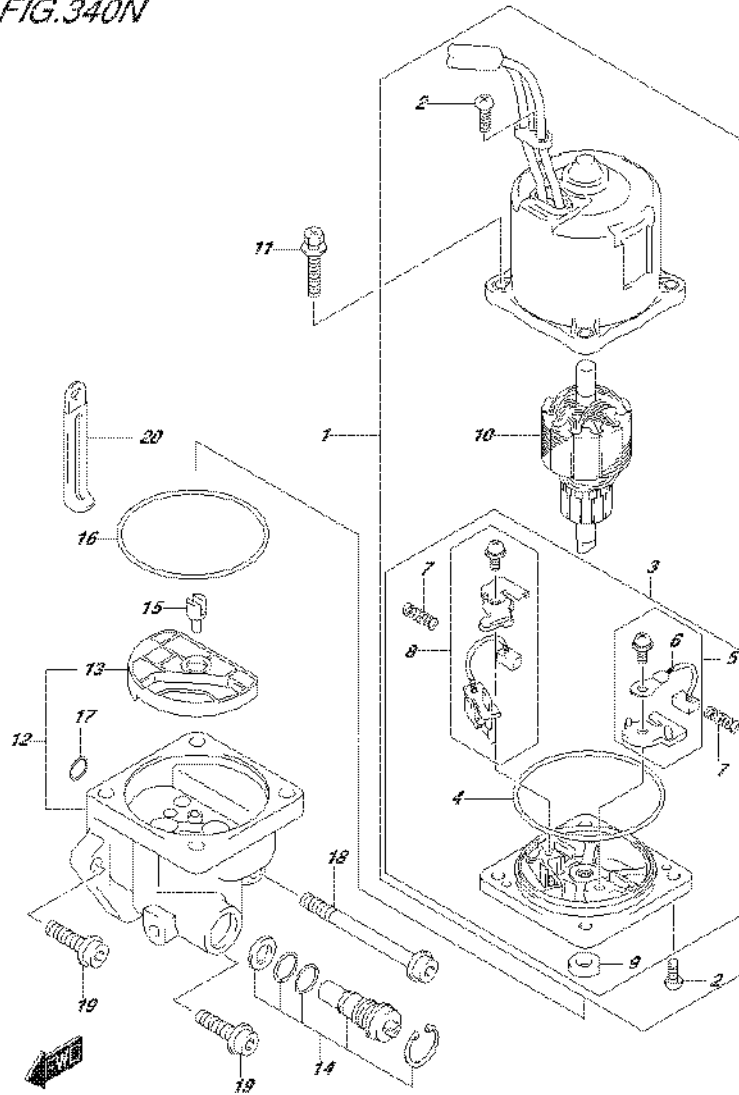


FIG.340N (3-B-14) PTT MOTOR TRANSOM(L) (DF200T E01)

REF NO.	PART NO.	DESCRIPTION	Q'TY	REMARKS
1	38100-93J11	MOTOR ASSY, PTT	1	
2	31111-94900	.SCREW, YOKE	3	
3	31173-94910	.HOLDER, BRUSH	1	
4	31123-94910	..O RING	1	
5	31133-90J00	..BRUSH SET, PLUS	1	
6	31133-94900	...BRUSH	1	
7	31135-94900	..SPRING	2	
8	31136-90J10	..BREAKER	1	
9	33799-97E00	..OIL SEAL	1	
10	31311-94900	ARMATURE	1	
11	31281-92J10	BOLT	4	
12	48502-93J14	PUMP ASSY	1	
13	48582-95E01	.FILTER	1	
14	48864-96J10	.VALVE, MANUAL	1	
15	48583-95E00	JOINT, DRIVE	1	
16	48585-95E00	O RING	1	
17	48588-94900	O RING SET (6PCS)	1	
18	48862-92J20	BOLT	1	
19	48862-92J30	BOLT	2	
20	29404-93J10	CLAMP	1	

FIG.340P

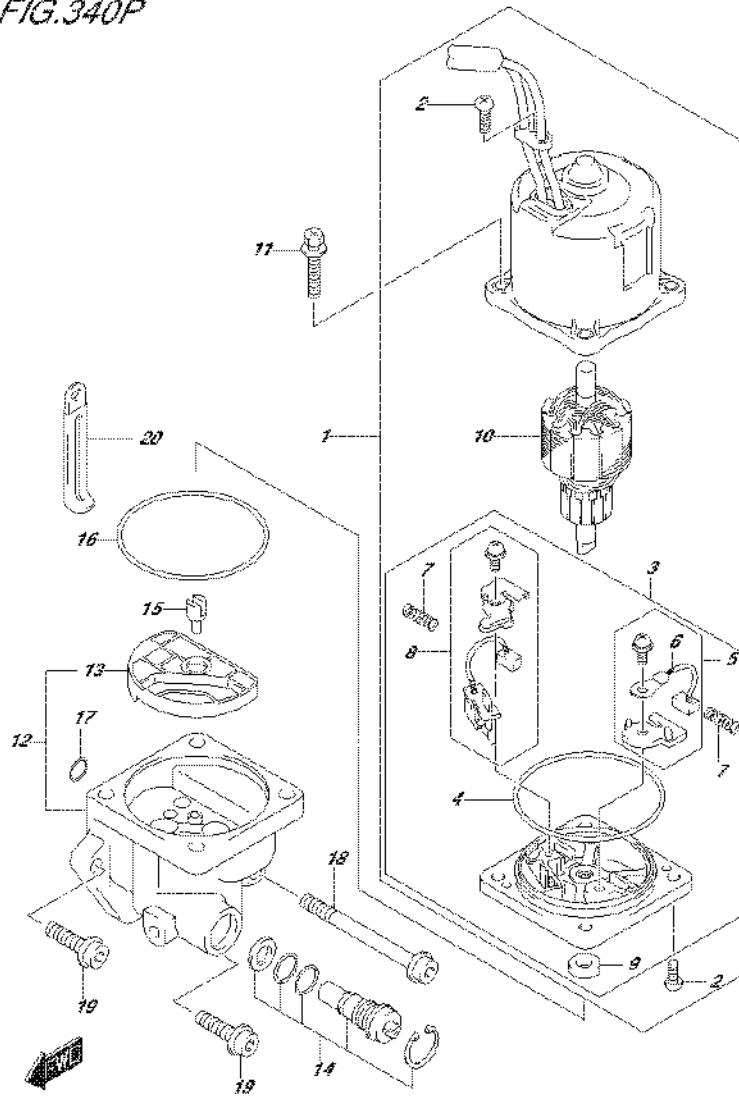


FIG.340P (3-B-15) PTT MOTOR TRANSOM(L) (DF200T E40)

REF NO.	PART NO.	DESCRIPTION	Q'TY	REMARKS
1	38100-93J11	MOTOR ASSY, PTT	1	
2	31111-94900	.SCREW, YOKE	3	
3	31173-94910	.HOLDER, BRUSH	1	
4	31123-94910	..O RING	1	
5	31133-90J00	..BRUSH SET, PLUS	1	
6	31133-94900	...BRUSH	1	
7	31135-94900	..SPRING	2	
8	31136-90J10	..BREAKER	1	
9	33799-97E00	..OIL SEAL	1	
10	31311-94900	ARMATURE	1	
11	31281-92J10	BOLT	4	
12	48502-93J14	PUMP ASSY	1	
13	48582-95E01	.FILTER	1	
14	48864-96J10	.VALVE, MANUAL	1	
15	48583-95E00	JOINT, DRIVE	1	
16	48585-95E00	O RING	1	
17	48588-94900	O RING SET (6PCS)	1	
18	48862-92J20	BOLT	1	
19	48862-92J30	BOLT	2	
20	29404-93J10	CLAMP	1	

FIG.401A

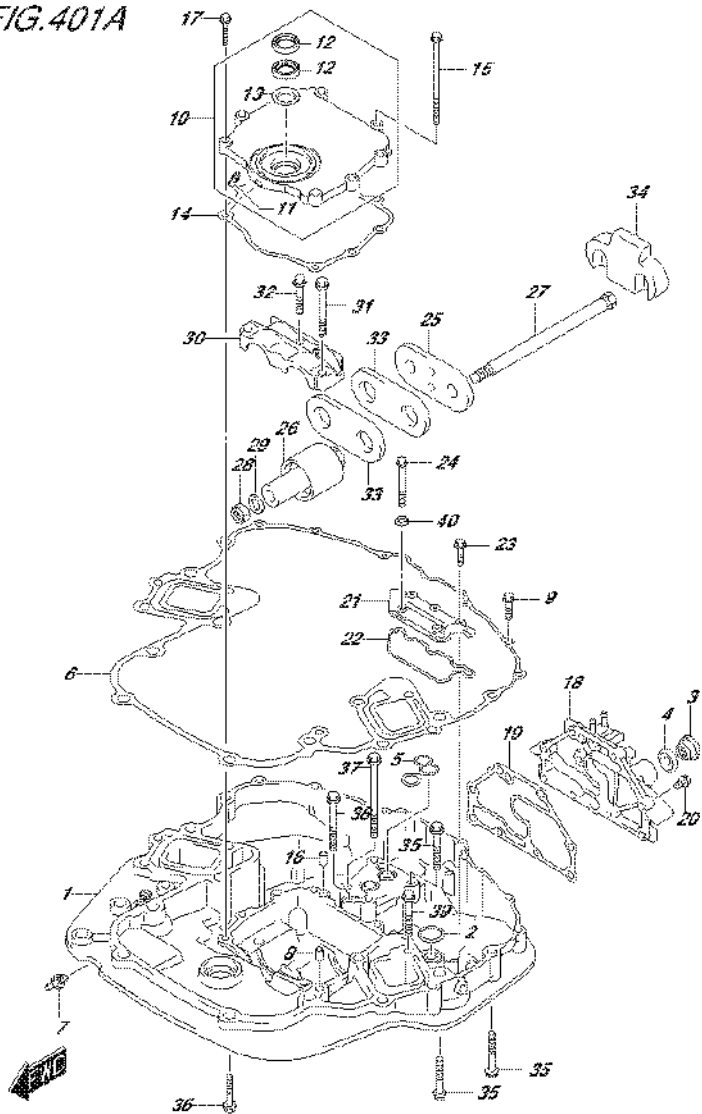
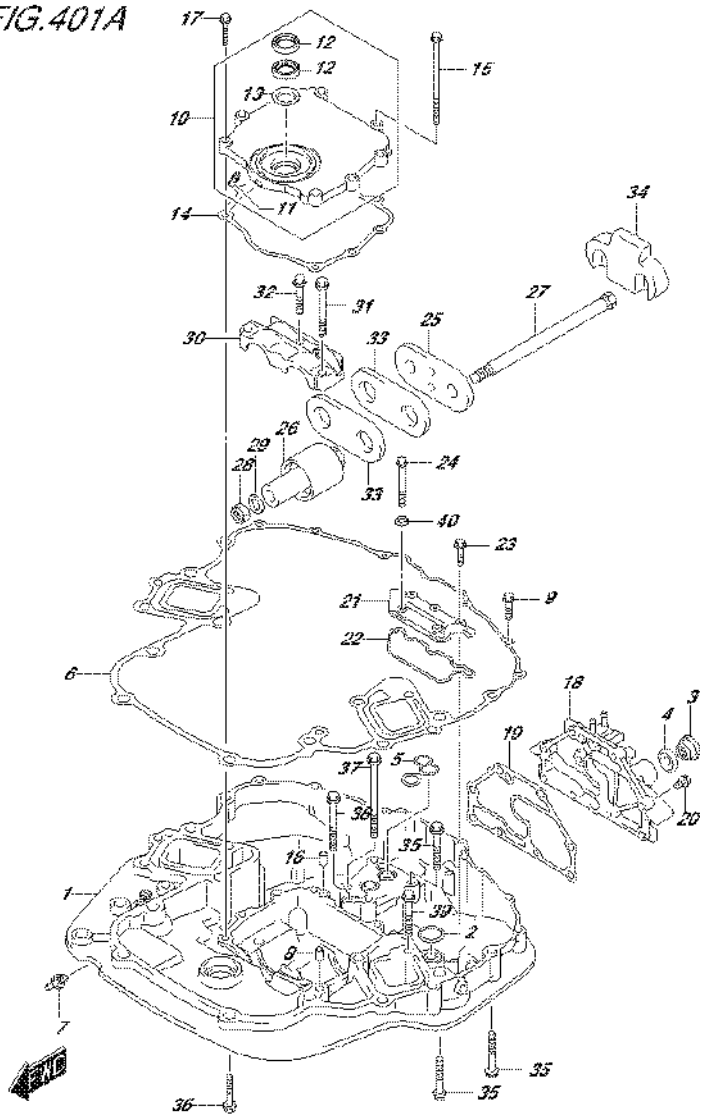


FIG.401A (3-C-2) ENGINE HOLDER (DF200T E01)

REF NO.	PART NO.	DESCRIPTION	Q'TY	REMARKS
1-1	51111-93J20-0EP	HOLDER, ENGINE (BLACK)	1	
1-2	51111-93J20-Y5S	HOLDER, ENGINE (WHITE)	1	
2	16519-93J00	SEAL, ENGINE HOLDER OIL	1	
3	17913-93J00	PLUG, WATER	1	
4	17914-93J00	GASKET, WATER PLUG	1	
5	51116-93J00	SEAL, WATER RETURN	1	
6	51211-93J00	GASKET, ENGINE HOLDER	1	
7	61155-93J20	UNION, WATER INDICATOR	1	
8	09206-08001	PIN (8X11)	2	
9	01550-08307	BOLT	6	
10	51120-93J02	COVER, ASSY MOUNT OIL SEAL	1	
11	22511-99011	.NIPPLE, GREASE	1	
12	51124-93J01	.OIL SEAL	2	
13	51125-93J00	.SCRAPER	1	
14	51123-93J00	GASKET, MOUNT OIL SEAL COVER	1	
15	09103-08109	BOLT (8X120)	2	
16	09206-08001	PIN (8X11)	2	
17	01550-0830A	BOLT	6	
18-1	51140-98J00-0EP	COVER, ENGINE HOLDER (BLACK)	1	W/TRANSOM(X,XX)
18-2	51140-98J00-Y5S	COVER, ENGINE HOLDER (WHITE)	1	W/TRANSOM(X,XX)
18-3	51140-93J11-0EP	COVER, ENGINE HOLDER (BLACK)	1	W/TRANSOM(L)
18-4	51140-93J11-Y5S	COVER, ENGINE HOLDER (WHITE)	1	W/TRANSOM(L)
19	51142-93J00	GASKET, ENGINE HOLDER COV	1	
20	09116-08122	BOLT (8X30)	8	
21	51151-93J00	COVER, ENGINE HOLDER UPPER	1	
22	51152-93J00	SEAL, ENGINE HOLDER UPPER COV	1	
23	01550-08307	BOLT	3	
24	01550-08607	BOLT	2	
25	54123-93J02	PLATE, UPPER MOUNT	1	
26	54130-93J01	MOUNT, UPPER	2	
27	09100-14004	BOLT (14X220)	2	
28	09159-14026	NUT	2	
29	09160-15051	WASHER (15X24X3)	2	

FIG.401A



DF200_E01_016_401A
ENGINE HOLDER

FIG.401A (3-C-3) ENGINE HOLDER (DF200T E01)

REF NO.	PART NO.	DESCRIPTION	Q'TY	REMARKS
30	54137-93J02	COVER, UPPER MOUNT	1	
31	09116-10135	BOLT (10X95)	2	
32	09116-10175	BOLT (10X50)	1	
33	54121-98J00	STOPPER, UPPER THRUST	2	
34	54125-93J00	MOUNT, UPPER THRUST REVERSE	1	
35	09116-10137	BOLT (10X70)	6	
36	09116-10175	BOLT (10X50)	4	
37	09116-10146	BOLT (10X195)	2	
38	09116-10134	BOLT (10X115)	1	
39	09116-08126	BOLT (8X65)	4	
40	09169-08038	WASHER (8.3X15X3)	2	

DF250_E01_016

FIG.401B

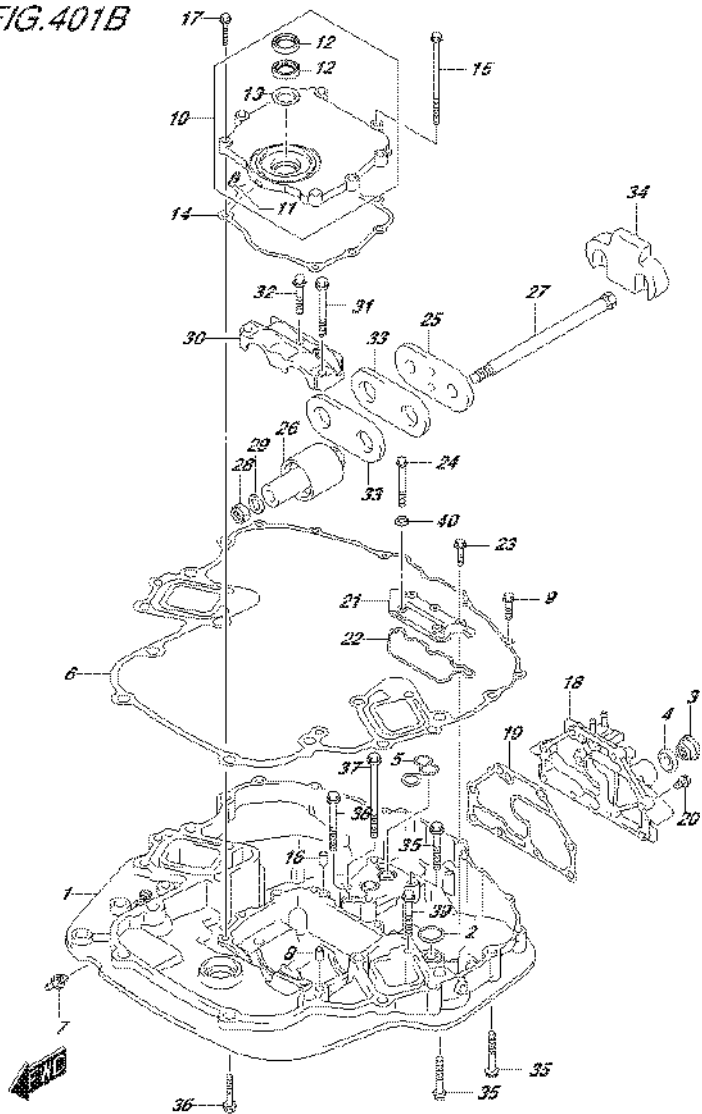
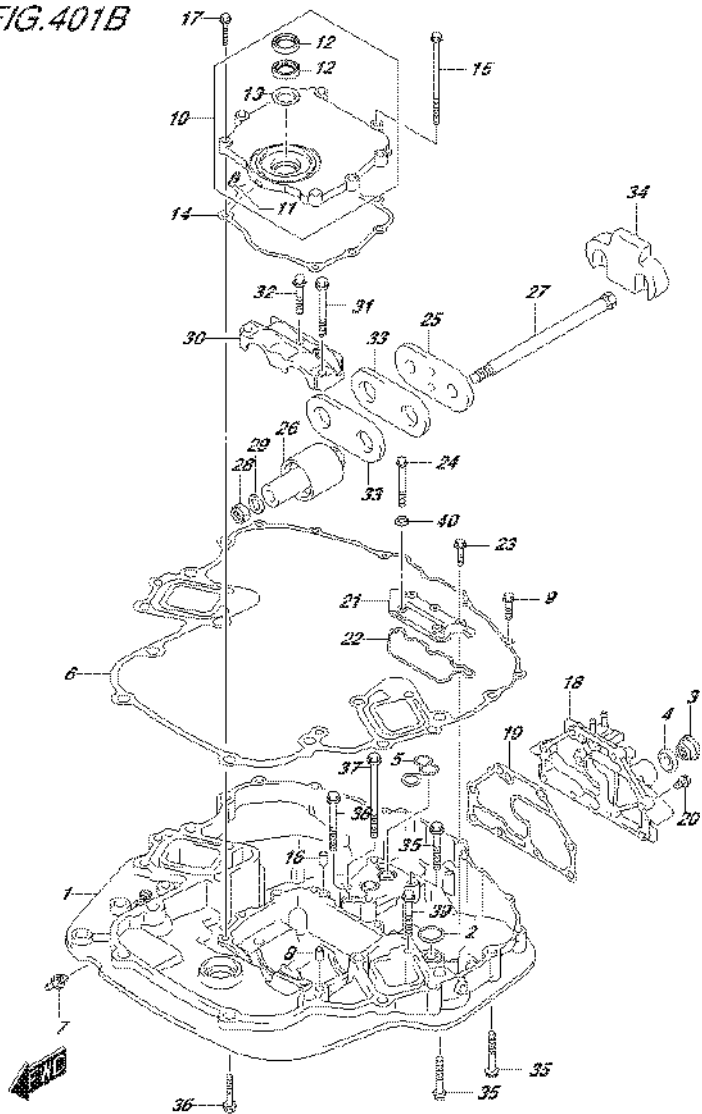


FIG.401B (3-C-4) ENGINE HOLDER (DF200T E40)

REF NO.	PART NO.	DESCRIPTION	Q'TY	REMARKS
1-1	51111-93J20-0EP	HOLDER, ENGINE (BLACK)	1	
1-2	51111-93J20-Y5S	HOLDER, ENGINE (WHITE)	1	
2	16519-93J00	SEAL, ENGINE HOLDER OIL	1	
3	17913-93J00	PLUG, WATER	1	
4	17914-93J00	GASKET, WATER PLUG	1	
5	51116-93J00	SEAL, WATER RETURN	1	
6	51211-93J00	GASKET, ENGINE HOLDER	1	
7	61155-93J20	UNION, WATER INDICATOR	1	
8	09206-08001	PIN (8X11)	2	
9	01550-08307	BOLT	6	
10	51120-93J02	COVER, ASSY MOUNT OIL SEAL	1	
11	22511-99011	.NIPPLE, GREASE	1	
12	51124-93J01	.OIL SEAL	2	
13	51125-93J00	.SCRAPER	1	
14	51123-93J00	GASKET, MOUNT OIL SEAL COVER	1	
15	09103-08109	BOLT (8X120)	2	
16	09206-08001	PIN (8X11)	2	
17	01550-0830A	BOLT	6	
18-1	51140-98J00-0EP	COVER, ENGINE HOLDER (BLACK)	1	W/TRANSOM(X)
18-2	51140-98J00-Y5S	COVER, ENGINE HOLDER (WHITE)	1	W/TRANSOM(X)
18-3	51140-93J11-0EP	COVER, ENGINE HOLDER (BLACK)	1	W/TRANSOM(L)
18-4	51140-93J11-Y5S	COVER, ENGINE HOLDER (WHITE)	1	W/TRANSOM(L)
19	51142-93J00	GASKET, ENGINE HOLDER COV	1	
20	09116-08122	BOLT (8X30)	8	
21	51151-93J00	COVER, ENGINE HOLDER UPPER	1	
22	51152-93J00	SEAL, ENGINE HOLDER UPPER COV	1	
23	01550-08307	BOLT	3	
24	01550-08607	BOLT	2	
25	54123-93J02	PLATE, UPPER MOUNT	1	
26	54130-93J01	MOUNT, UPPER	2	
27	09100-14004	BOLT (14X220)	2	
28	09159-14026	NUT	2	
29	09160-15051	WASHER (15X24X3)	2	

FIG.401B



DF200_E01_016_401B
ENGINE HOLDER

FIG.401B (3-C-5) ENGINE HOLDER (DF200T E40)

REF NO.	PART NO.	DESCRIPTION	Q'TY	REMARKS
30	54137-93J02	COVER, UPPER MOUNT	1	
31	09116-10135	BOLT (10X95)	2	
32	09116-10175	BOLT (10X50)	1	
33	54121-98J00	STOPPER, UPPER THRUST	2	
34	54125-93J00	MOUNT, UPPER THRUST REVERSE	1	
35	09116-10137	BOLT (10X70)	6	
36	09116-10175	BOLT (10X50)	4	
37	09116-10146	BOLT (10X195)	2	
38	09116-10134	BOLT (10X115)	1	
39	09116-08126	BOLT (8X65)	4	
40	09169-08038	WASHER (8.3X15X3)	2	

DF250_E01_016

FIG.401C

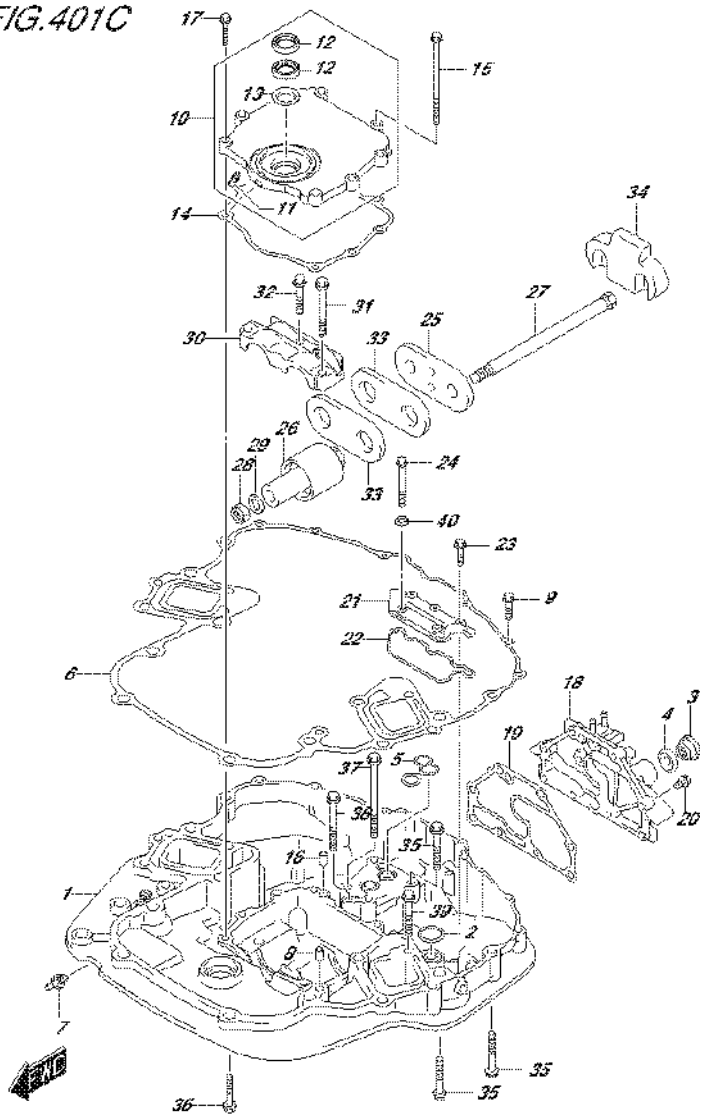


FIG.401C (3-C-6) ENGINE HOLDER (DF200Z E01)

REF NO.	PART NO.	DESCRIPTION	Q'TY	REMARKS
1-1	51111-93J20-0EP	HOLDER, ENGINE (BLACK)	1	
1-2	51111-93J20-Y5S	HOLDER, ENGINE (WHITE)	1	
2	16519-93J00	SEAL, ENGINE HOLDER OIL	1	
3	17913-93J00	PLUG, WATER	1	
4	17914-93J00	GASKET, WATER PLUG	1	
5	51116-93J00	SEAL, WATER RETURN	1	
6	51211-93J00	GASKET, ENGINE HOLDER	1	
7	61155-93J20	UNION, WATER INDICATOR	1	
8	09206-08001	PIN (8X11)	2	
9	01550-08307	BOLT	6	
10	51120-93J02	COVER, ASSY MOUNT OIL SEAL	1	
11	22511-99011	.NIPPLE, GREASE	1	
12	51124-93J01	.OIL SEAL	2	
13	51125-93J00	.SCRAPER	1	
14	51123-93J00	GASKET, MOUNT OIL SEAL COVER	1	
15	09103-08109	BOLT (8X120)	2	
16	09206-08001	PIN (8X11)	2	
17	01550-0830A	BOLT	6	
18-1	51140-98J00-0EP	COVER, ENGINE HOLDER (BLACK)	1	
18-2	51140-98J00-Y5S	COVER, ENGINE HOLDER (WHITE)	1	
19	51142-93J00	GASKET, ENGINE HOLDER COV	1	
20	09116-08122	BOLT (8X30)	8	
21	51151-93J00	COVER, ENGINE HOLDER UPPER	1	
22	51152-93J00	SEAL, ENGINE HOLDER UPPER COV	1	
23	01550-08307	BOLT	3	
24	01550-08607	BOLT	2	
25	54123-93J02	PLATE, UPPER MOUNT	1	
26	54130-93J01	MOUNT, UPPER	2	
27	09100-14004	BOLT (14X220)	2	
28	09159-14026	NUT	2	
29	09160-15051	WASHER (15X24X3)	2	

FIG.401C

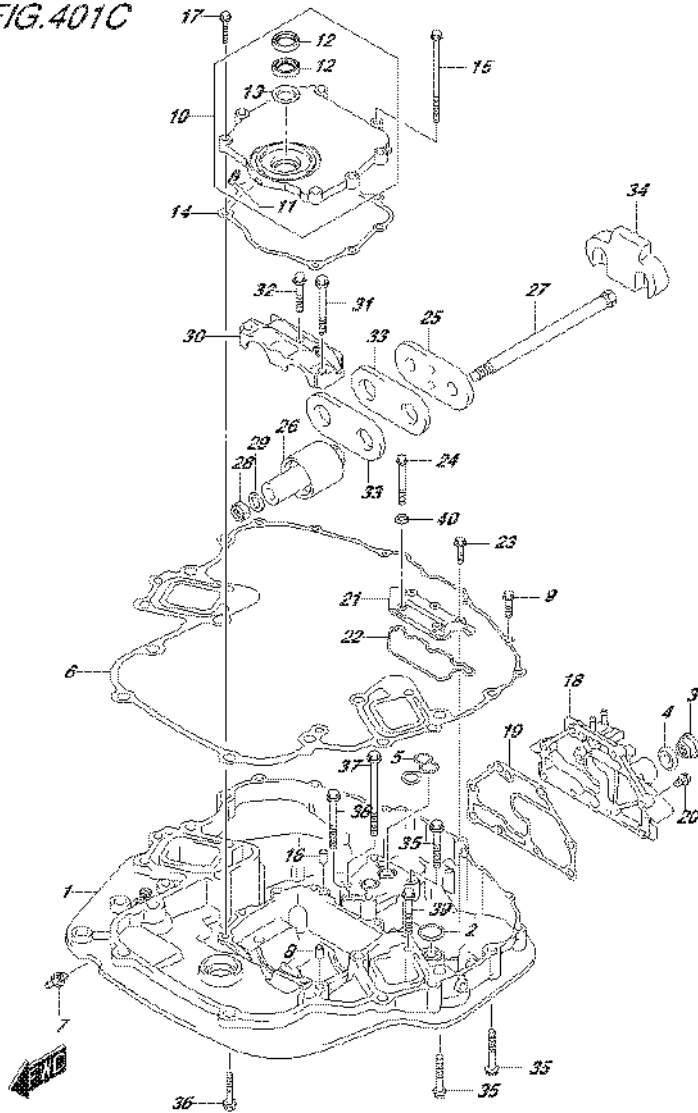


FIG.401C (3-C-7) ENGINE HOLDER (DF200Z E01)

REF NO.	PART NO.	DESCRIPTION	Q'TY	REMARKS
30	54137-93J02	COVER, UPPER MOUNT	1	
31	09116-10135	BOLT (10X95)	2	
32	09116-10175	BOLT (10X50)	1	
33	54121-98J00	STOPPER, UPPER THRUST	2	
34	54125-93J00	MOUNT, UPPER THRUST REVERSE	1	
35	09116-10137	BOLT (10X70)	6	
36	09116-10175	BOLT (10X50)	4	
37	09116-10146	BOLT (10X195)	2	
38	09116-10134	BOLT (10X115)	1	
39	09116-08126	BOLT (8X65)	4	
40	09169-08038	WASHER (8.3X15X3)	2	

FIG.401D

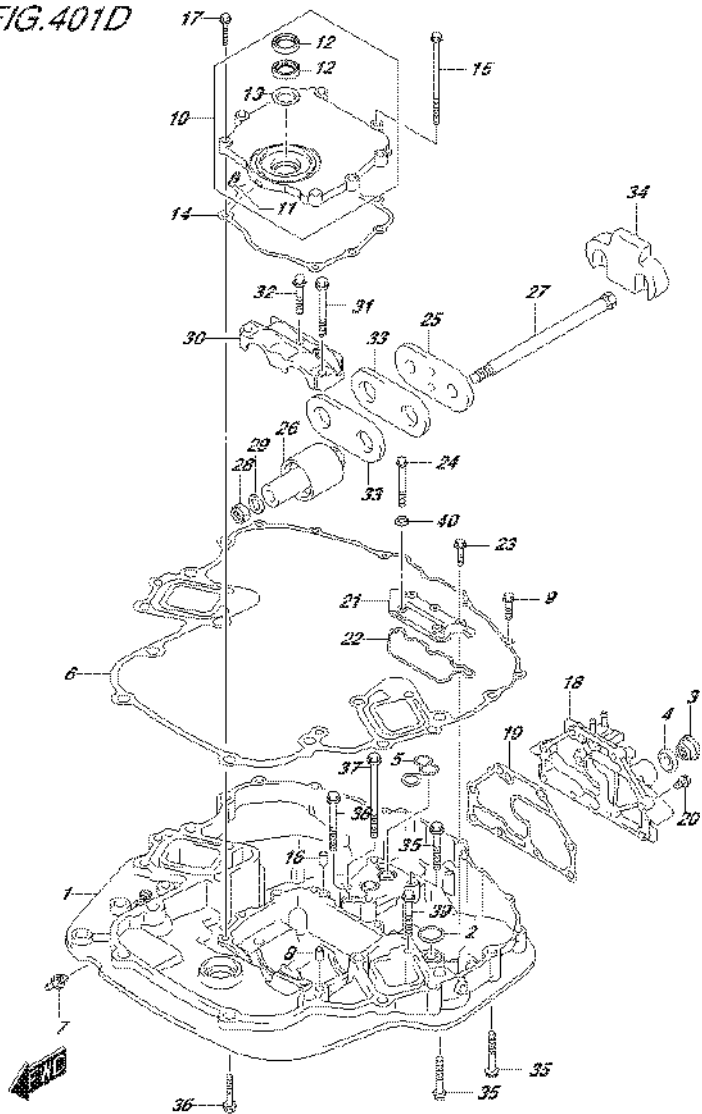
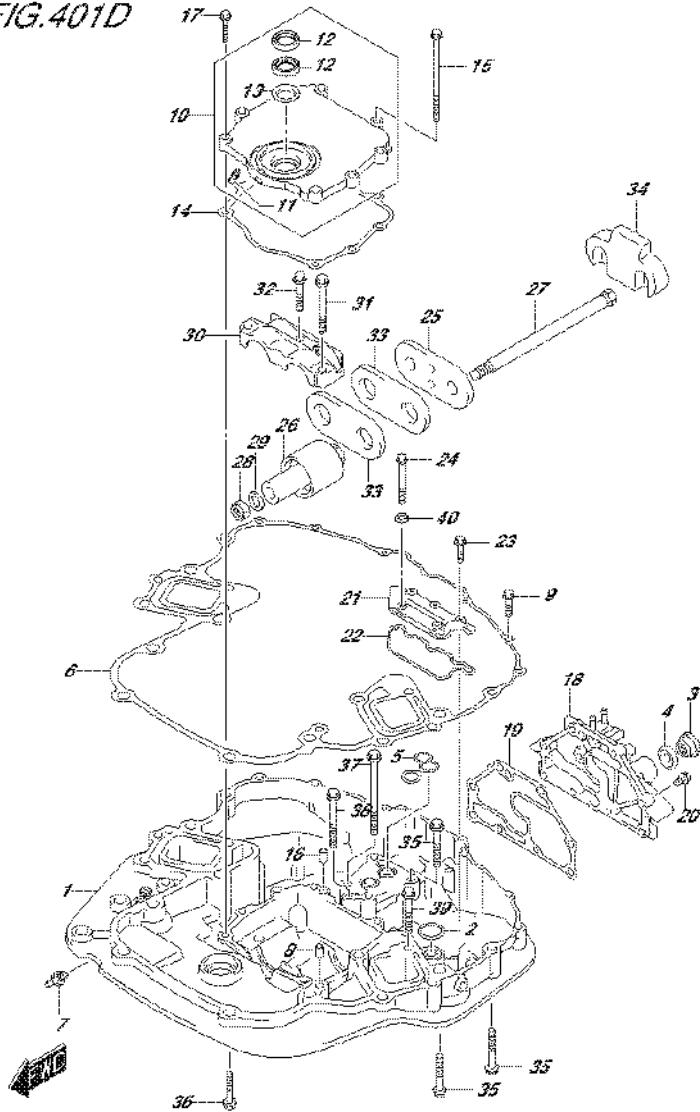


FIG.401D (3-C-8) ENGINE HOLDER (DF200Z E40)

REF NO.	PART NO.	DESCRIPTION	Q'TY	REMARKS
1-1	51111-93J20-0EP	HOLDER, ENGINE (BLACK)	1	
1-2	51111-93J20-Y5S	HOLDER, ENGINE (WHITE)	1	
2	16519-93J00	SEAL, ENGINE HOLDER OIL	1	
3	17913-93J00	PLUG, WATER	1	
4	17914-93J00	GASKET, WATER PLUG	1	
5	51116-93J00	SEAL, WATER RETURN	1	
6	51211-93J00	GASKET, ENGINE HOLDER	1	
7	61155-93J20	UNION, WATER INDICATOR	1	
8	09206-08001	PIN (8X11)	2	
9	01550-08307	BOLT	6	
10	51120-93J02	COVER, ASSY MOUNT OIL SEAL	1	
11	22511-99011	.NIPPLE, GREASE	1	
12	51124-93J01	.OIL SEAL	2	
13	51125-93J00	.SCRAPER	1	
14	51123-93J00	GASKET, MOUNT OIL SEAL COVER	1	
15	09103-08109	BOLT (8X120)	2	
16	09206-08001	PIN (8X11)	2	
17	01550-0830A	BOLT	6	
18-1	51140-98J00-0EP	COVER, ENGINE HOLDER (BLACK)	1	
18-2	51140-98J00-Y5S	COVER, ENGINE HOLDER (WHITE)	1	
19	51142-93J00	GASKET, ENGINE HOLDER COV	1	
20	09116-08122	BOLT (8X30)	8	
21	51151-93J00	COVER, ENGINE HOLDER UPPER	1	
22	51152-93J00	SEAL, ENGINE HOLDER UPPER COV	1	
23	01550-08307	BOLT	3	
24	01550-08607	BOLT	2	
25	54123-93J02	PLATE, UPPER MOUNT	1	
26	54130-93J01	MOUNT, UPPER	2	
27	09100-14004	BOLT (14X220)	2	
28	09159-14026	NUT	2	
29	09160-15051	WASHER (15X24X3)	2	

FIG.401D



DF200_E01_016_401D
ENGINE HOLDER

FIG.401D (3-C-9) ENGINE HOLDER (DF200Z E40)

REF NO.	PART NO.	DESCRIPTION	Q'TY	REMARKS
30	54137-93J02	COVER, UPPER MOUNT	1	
31	09116-10135	BOLT (10X95)	2	
32	09116-10175	BOLT (10X50)	1	
33	54121-98J00	STOPPER, UPPER THRUST	2	
34	54125-93J00	MOUNT, UPPER THRUST REVERSE	1	
35	09116-10137	BOLT (10X70)	6	
36	09116-10175	BOLT (10X50)	4	
37	09116-10146	BOLT (10X195)	2	
38	09116-10134	BOLT (10X115)	1	
39	09116-08126	BOLT (8X65)	4	
40	09169-08038	WASHER (8.3X15X3)	2	

FIG.401E

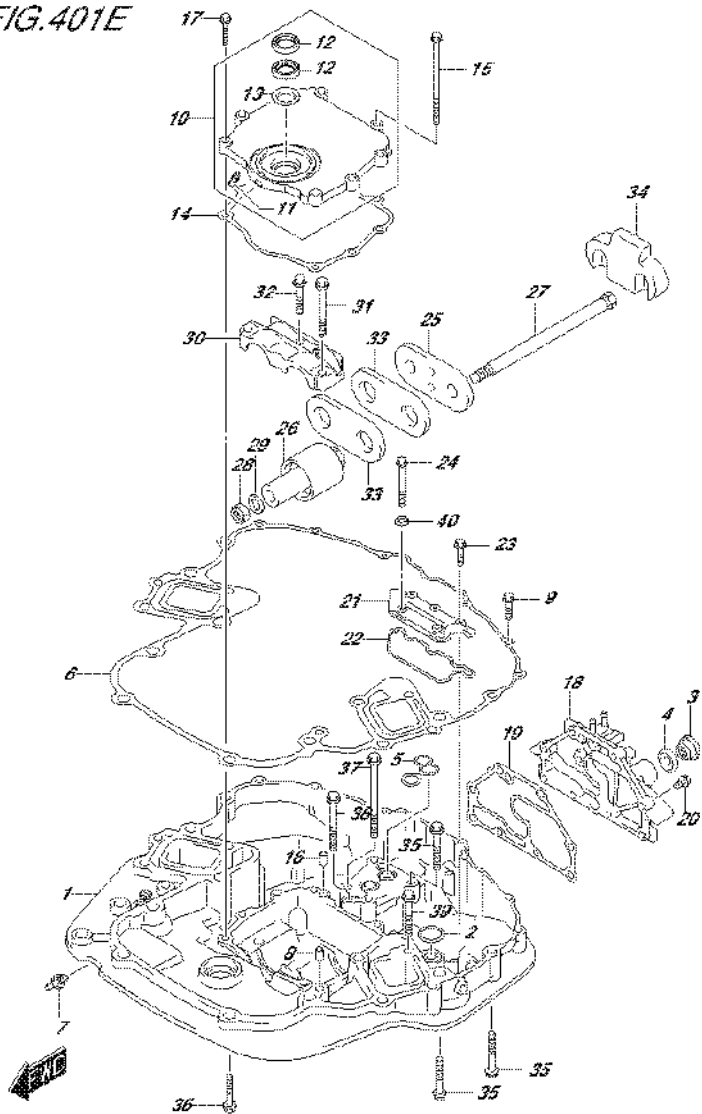


FIG.401E (3-C-10) ENGINE HOLDER (DF250T E01)

REF NO.	PART NO.	DESCRIPTION	Q'TY	REMARKS
1-1	51111-93J20-0EP	HOLDER, ENGINE (BLACK)	1	
1-2	51111-93J20-Y5S	HOLDER, ENGINE (WHITE)	1	
2	16519-93J00	SEAL, ENGINE HOLDER OIL	1	
3	17913-93J00	PLUG, WATER	1	
4	17914-93J00	GASKET, WATER PLUG	1	
5	51116-93J00	SEAL, WATER RETURN	1	
6	51211-93J00	GASKET, ENGINE HOLDER	1	
7	61155-93J20	UNION, WATER INDICATOR	1	
8	09206-08001	PIN (8X11)	2	
9	01550-08307	BOLT	6	
10	51120-93J02	COVER, ASSY MOUNT OIL SEAL	1	
11	22511-99011	.NIPPLE, GREASE	1	
12	51124-93J01	.OIL SEAL	2	
13	51125-93J00	.SCRAPER	1	
14	51123-93J00	GASKET, MOUNT OIL SEAL COVER	1	
15	09103-08109	BOLT (8X120)	2	
16	09206-08001	PIN (8X11)	2	
17	01550-0830A	BOLT	6	
18-1	51140-98J00-0EP	COVER, ENGINE HOLDER (BLACK)	1	
18-2	51140-98J00-Y5S	COVER, ENGINE HOLDER (WHITE)	1	
19	51142-93J00	GASKET, ENGINE HOLDER COV	1	
20	09116-08122	BOLT (8X30)	8	
21	51151-93J00	COVER, ENGINE HOLDER UPPER	1	
22	51152-93J00	SEAL, ENGINE HOLDER UPPER COV	1	
23	01550-08307	BOLT	3	
24	01550-08607	BOLT	2	
25	54123-93J02	PLATE, UPPER MOUNT	1	
26	54130-93J01	MOUNT, UPPER	2	
27	09100-14004	BOLT (14X220)	2	
28	09159-14026	NUT	2	
29	09160-15051	WASHER (15X24X3)	2	

FIG.401E

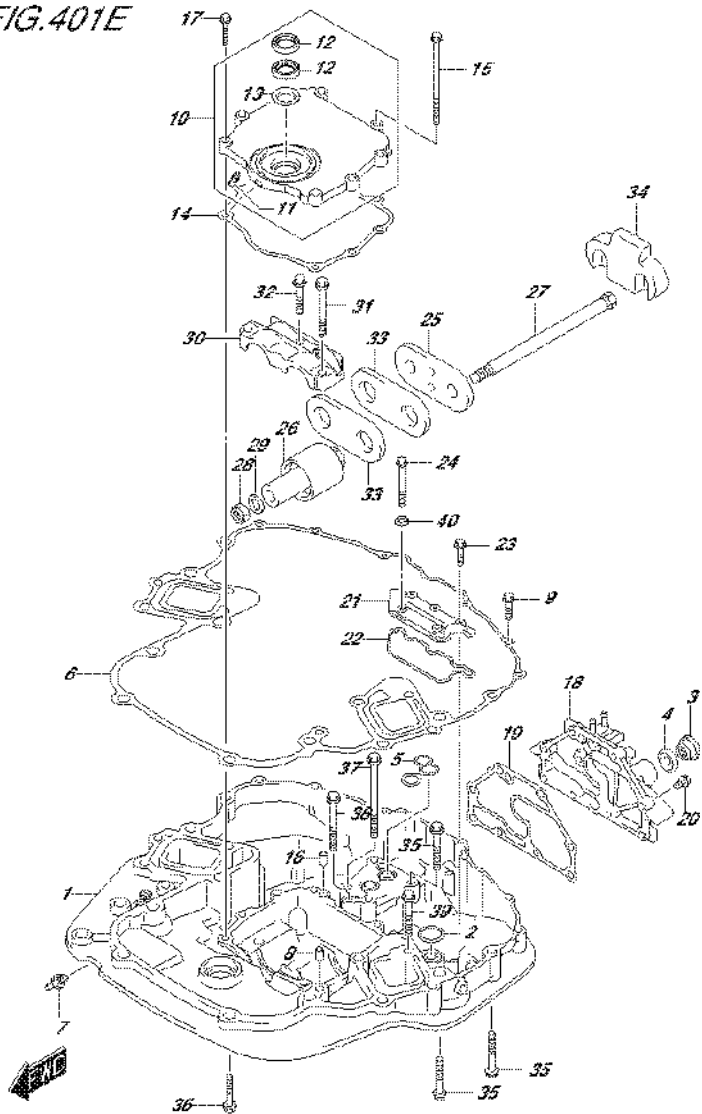
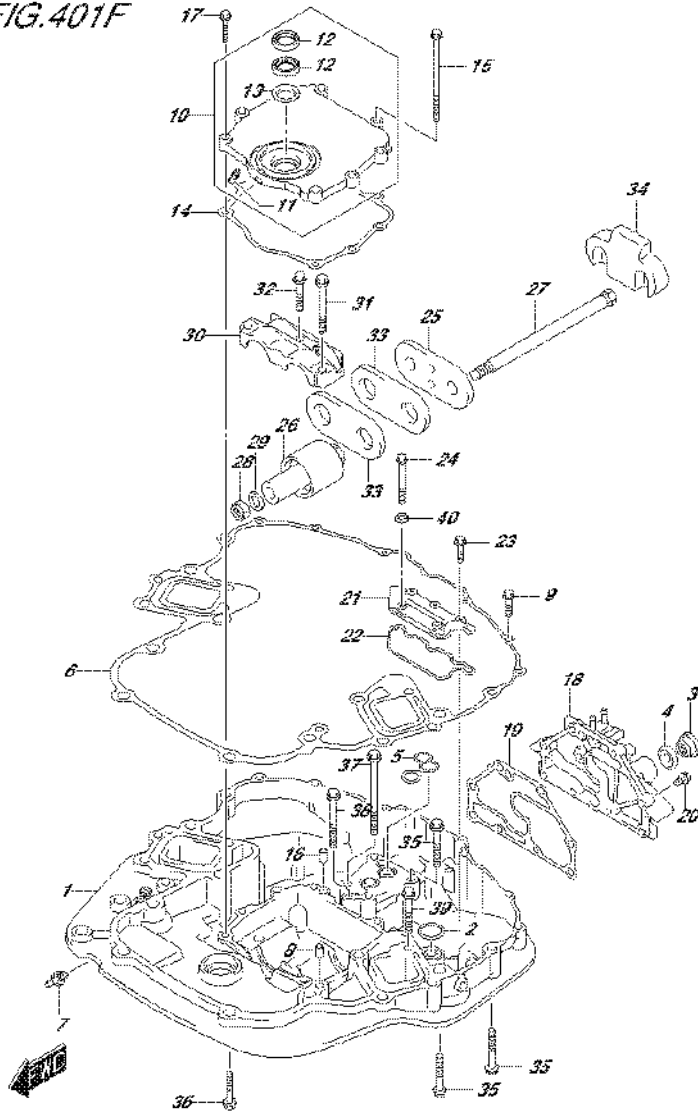


FIG.401E (3-C-11) ENGINE HOLDER (DF225T E01)

REF NO.	PART NO.	DESCRIPTION	Q'TY	REMARKS
30	54137-93J02	COVER, UPPER MOUNT	1	
31	09116-10135	BOLT (10X95)	2	
32	09116-10175	BOLT (10X50)	1	
33	54121-98J00	STOPPER, UPPER THRUST	2	
34	54125-93J00	MOUNT, UPPER THRUST REVERSE	1	
35	09116-10137	BOLT (10X70)	6	
36	09116-10175	BOLT (10X50)	4	
37	09116-10146	BOLT (10X195)	2	
38	09116-10134	BOLT (10X115)	1	
39	09116-08126	BOLT (8X65)	4	
40	09169-08038	WASHER (8.3X15X3)	2	

FIG.401F



DF250_E01_016_401F
ENGINE HOLDER

FIG.401F (3-C-12) ENGINE HOLDER (DF250T E40)

REF NO.	PART NO.	DESCRIPTION	Q'TY	REMARKS
1-1	51111-93J20-0EP	HOLDER, ENGINE (BLACK)	1	
1-2	51111-93J20-Y5S	HOLDER, ENGINE (WHITE)	1	
2	16519-93J00	SEAL, ENGINE HOLDER OIL	1	
3	17913-93J00	PLUG, WATER	1	
4	17914-93J00	GASKET, WATER PLUG	1	
5	51116-93J00	SEAL, WATER RETURN	1	
6	51211-93J00	GASKET, ENGINE HOLDER	1	
7	61155-93J20	UNION, WATER INDICATOR	1	
8	09206-08001	PIN (8X11)	2	
9	01550-08307	BOLT	6	
10	51120-93J02	COVER, ASSY MOUNT OIL SEAL	1	
11	22511-99011	.NIPPLE, GREASE	1	
12	51124-93J01	.OIL SEAL	2	
13	51125-93J00	.SCRAPER	1	
14	51123-93J00	GASKET, MOUNT OIL SEAL COVER	1	
15	09103-08109	BOLT (8X120)	2	
16	09206-08001	PIN (8X11)	2	
17	01550-0830A	BOLT	6	
18-1	51140-98J00-0EP	COVER, ENGINE HOLDER (BLACK)	1	
18-2	51140-98J00-Y5S	COVER, ENGINE HOLDER (WHITE)	1	
19	51142-93J00	GASKET, ENGINE HOLDER COV	1	
20	09116-08122	BOLT (8X30)	8	
21	51151-93J00	COVER, ENGINE HOLDER UPPER	1	
22	51152-93J00	SEAL, ENGINE HOLDER UPPER COV	1	
23	01550-08307	BOLT	3	
24	01550-08607	BOLT	2	
25	54123-93J02	PLATE, UPPER MOUNT	1	
26	54130-93J01	MOUNT, UPPER	2	
27	09100-14004	BOLT (14X220)	2	
28	09159-14026	NUT	2	
29	09160-15051	WASHER (15X24X3)	2	

FIG.401F

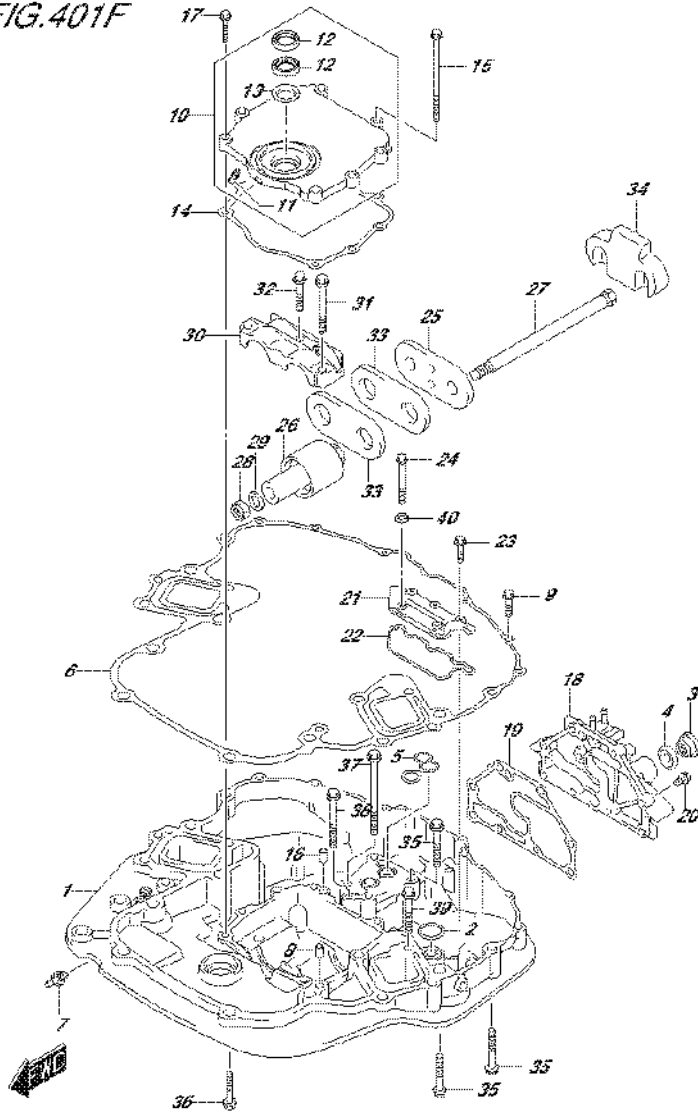


FIG.401F (3-C-13) ENGINE HOLDER (DF225T E40)

REF NO.	PART NO.	DESCRIPTION	Q'TY	REMARKS
30	54137-93J02	COVER, UPPER MOUNT	1	
31	09116-10135	BOLT (10X95)	2	
32	09116-10175	BOLT (10X50)	1	
33	54121-98J00	STOPPER, UPPER THRUST	2	
34	54125-93J00	MOUNT, UPPER THRUST REVERSE	1	
35	09116-10137	BOLT (10X70)	6	
36	09116-10175	BOLT (10X50)	4	
37	09116-10146	BOLT (10X195)	2	
38	09116-10134	BOLT (10X115)	1	
39	09116-08126	BOLT (8X65)	4	
40	09169-08038	WASHER (8.3X15X3)	2	

FIG.401G

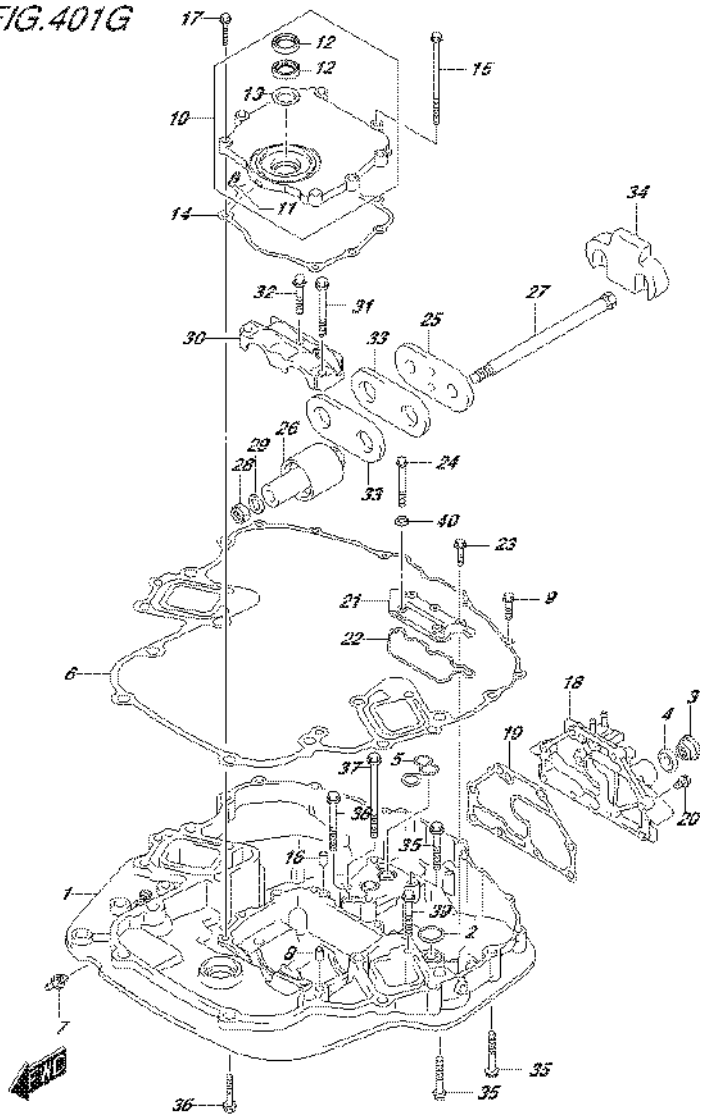
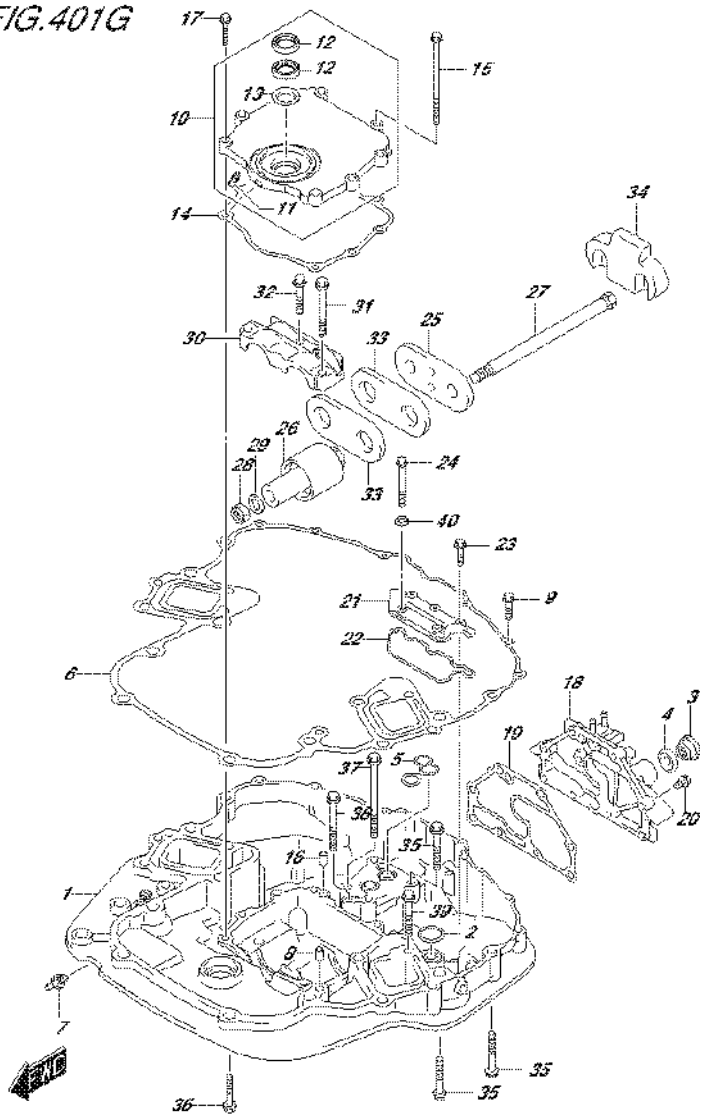


FIG.401G (3-C-14) ENGINE HOLDER (DF25Z E01)

REF NO.	PART NO.	DESCRIPTION	Q'TY	REMARKS
1-1	51111-93J20-0EP	HOLDER, ENGINE (BLACK)	1	
1-2	51111-93J20-Y5S	HOLDER, ENGINE (WHITE)	1	
2	16519-93J00	SEAL, ENGINE HOLDER OIL	1	
3	17913-93J00	PLUG, WATER	1	
4	17914-93J00	GASKET, WATER PLUG	1	
5	51116-93J00	SEAL, WATER RETURN	1	
6	51211-93J00	GASKET, ENGINE HOLDER	1	
7	61155-93J20	UNION, WATER INDICATOR	1	
8	09206-08001	PIN (8X11)	2	
9	01550-08307	BOLT	6	
10	51120-93J02	COVER, ASSY MOUNT OIL SEAL	1	
11	22511-99011	.NIPPLE, GREASE	1	
12	51124-93J01	.OIL SEAL	2	
13	51125-93J00	.SCRAPER	1	
14	51123-93J00	GASKET, MOUNT OIL SEAL COVER	1	
15	09103-08109	BOLT (8X120)	2	
16	09206-08001	PIN (8X11)	2	
17	01550-0830A	BOLT	6	
18-1	51140-98J00-0EP	COVER, ENGINE HOLDER (BLACK)	1	
18-2	51140-98J00-Y5S	COVER, ENGINE HOLDER (WHITE)	1	
19	51142-93J00	GASKET, ENGINE HOLDER COV	1	
20	09116-08122	BOLT (8X30)	8	
21	51151-93J00	COVER, ENGINE HOLDER UPPER	1	
22	51152-93J00	SEAL, ENGINE HOLDER UPPER COV	1	
23	01550-08307	BOLT	3	
24	01550-08607	BOLT	2	
25	54123-93J02	PLATE, UPPER MOUNT	1	
26	54130-93J01	MOUNT, UPPER	2	
27	09100-14004	BOLT (14X220)	2	
28	09159-14026	NUT	2	
29	09160-15051	WASHER (15X24X3)	2	

FIG.401G



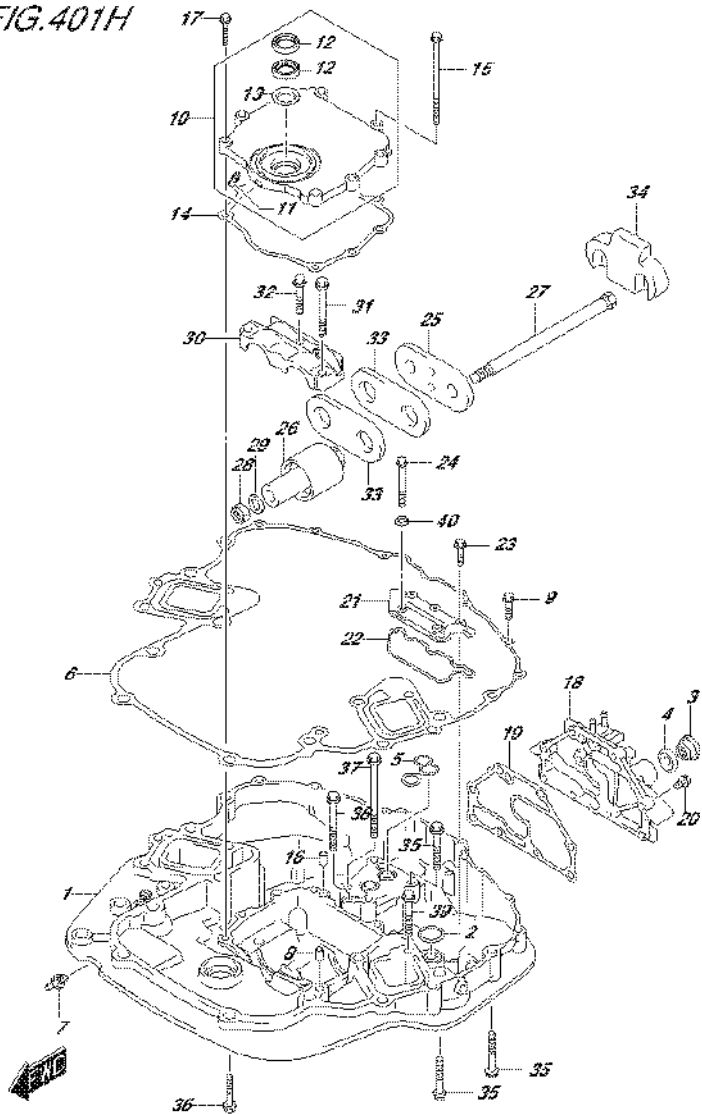
DF225Z_E01_016_401G
ENGINE HOLDER

FIG.401G (3-C-15) ENGINE HOLDER (DF225Z E01)

REF NO.	PART NO.	DESCRIPTION	Q'TY	REMARKS
30	54137-93J02	COVER, UPPER MOUNT	1	
31	09116-10135	BOLT (10X95)	2	
32	09116-10175	BOLT (10X50)	1	
33	54121-98J00	STOPPER, UPPER THRUST	2	
34	54125-93J00	MOUNT, UPPER THRUST REVERSE	1	
35	09116-10137	BOLT (10X70)	6	
36	09116-10175	BOLT (10X50)	4	
37	09116-10146	BOLT (10X195)	2	
38	09116-10134	BOLT (10X115)	1	
39	09116-08126	BOLT (8X65)	4	
40	09169-08038	WASHER (8.3X15X3)	2	

DF250_E01_016

FIG.401H



DF25Z_E01_016_401H
ENGINE HOLDER

FIG.401H (3-D-2) ENGINE HOLDER (DF25Z E40)

REF NO.	PART NO.	DESCRIPTION	Q'TY	REMARKS
1-1	51111-93J20-0EP	HOLDER, ENGINE (BLACK)	1	
1-2	51111-93J20-Y5S	HOLDER, ENGINE (WHITE)	1	
2	16519-93J00	SEAL, ENGINE HOLDER OIL	1	
3	17913-93J00	PLUG, WATER	1	
4	17914-93J00	GASKET, WATER PLUG	1	
5	51116-93J00	SEAL, WATER RETURN	1	
6	51211-93J00	GASKET, ENGINE HOLDER	1	
7	61155-93J20	UNION, WATER INDICATOR	1	
8	09206-08001	PIN (8X11)	2	
9	01550-08307	BOLT	6	
10	51120-93J02	COVER, ASSY MOUNT OIL SEAL	1	
11	22511-99011	.NIPPLE, GREASE	1	
12	51124-93J01	.OIL SEAL	2	
13	51125-93J00	.SCRAPER	1	
14	51123-93J00	GASKET, MOUNT OIL SEAL COVER	1	
15	09103-08109	BOLT (8X120)	2	
16	09206-08001	PIN (8X11)	2	
17	01550-0830A	BOLT	6	
18-1	51140-98J00-0EP	COVER, ENGINE HOLDER (BLACK)	1	
18-2	51140-98J00-Y5S	COVER, ENGINE HOLDER (WHITE)	1	
19	51142-93J00	GASKET, ENGINE HOLDER COV	1	
20	09116-08122	BOLT (8X30)	8	
21	51151-93J00	COVER, ENGINE HOLDER UPPER	1	
22	51152-93J00	SEAL, ENGINE HOLDER UPPER COV	1	
23	01550-08307	BOLT	3	
24	01550-08607	BOLT	2	
25	54123-93J02	PLATE, UPPER MOUNT	1	
26	54130-93J01	MOUNT, UPPER	2	
27	09100-14004	BOLT (14X220)	2	
28	09159-14026	NUT	2	
29	09160-15051	WASHER (15X24X3)	2	

FIG.401H

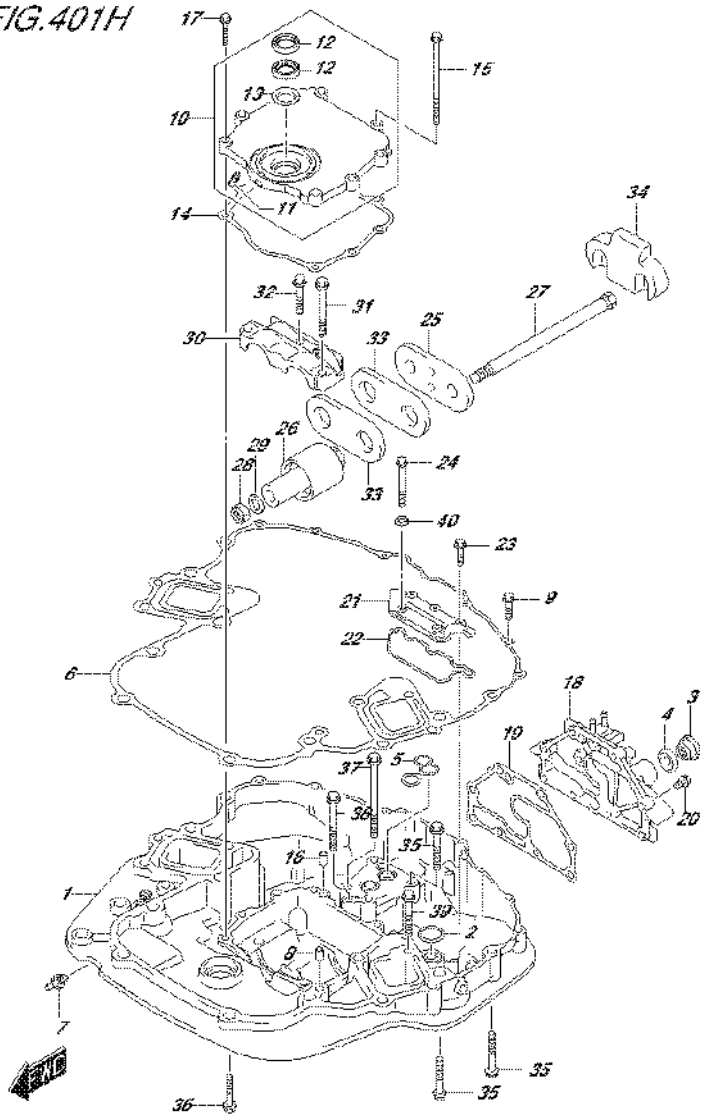


FIG.401H (3-D-3) ENGINE HOLDER (DF225Z E40)

REF NO.	PART NO.	DESCRIPTION	Q'TY	REMARKS
30	54137-93J02	COVER, UPPER MOUNT	1	
31	09116-10135	BOLT (10X95)	2	
32	09116-10175	BOLT (10X50)	1	
33	54121-98J00	STOPPER, UPPER THRUST	2	
34	54125-93J00	MOUNT, UPPER THRUST REVERSE	1	
35	09116-10137	BOLT (10X70)	6	
36	09116-10175	BOLT (10X50)	4	
37	09116-10146	BOLT (10X195)	2	
38	09116-10134	BOLT (10X115)	1	
39	09116-08126	BOLT (8X65)	4	
40	09169-08038	WASHER (8.3X15X3)	2	

FIG.401J

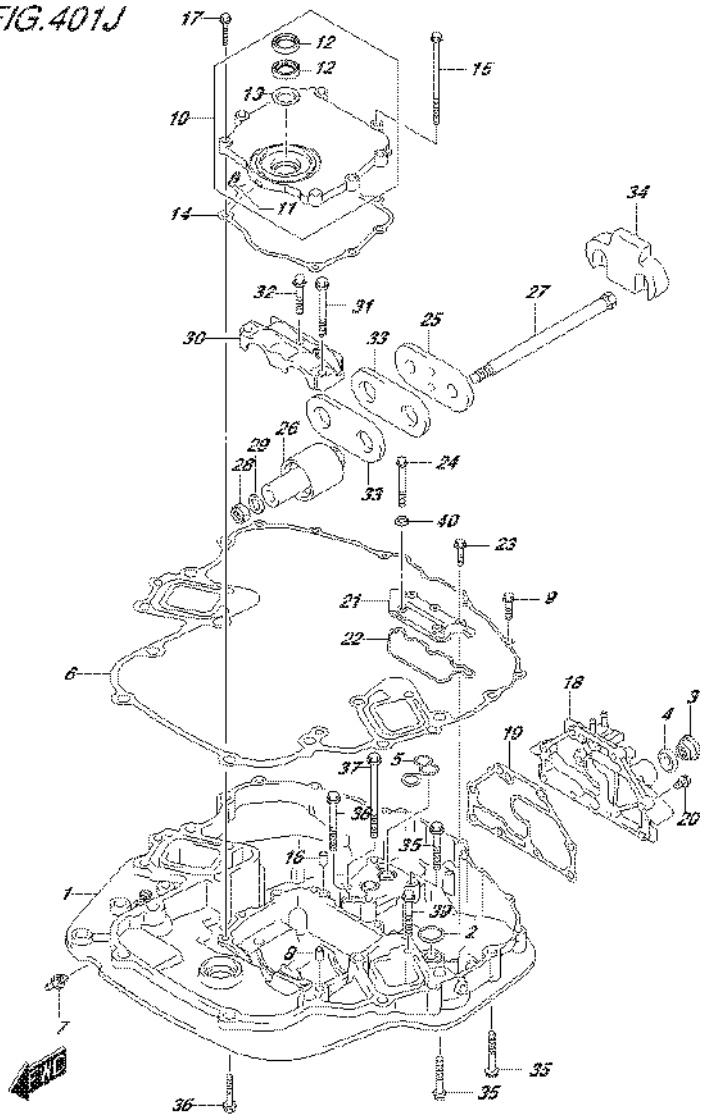
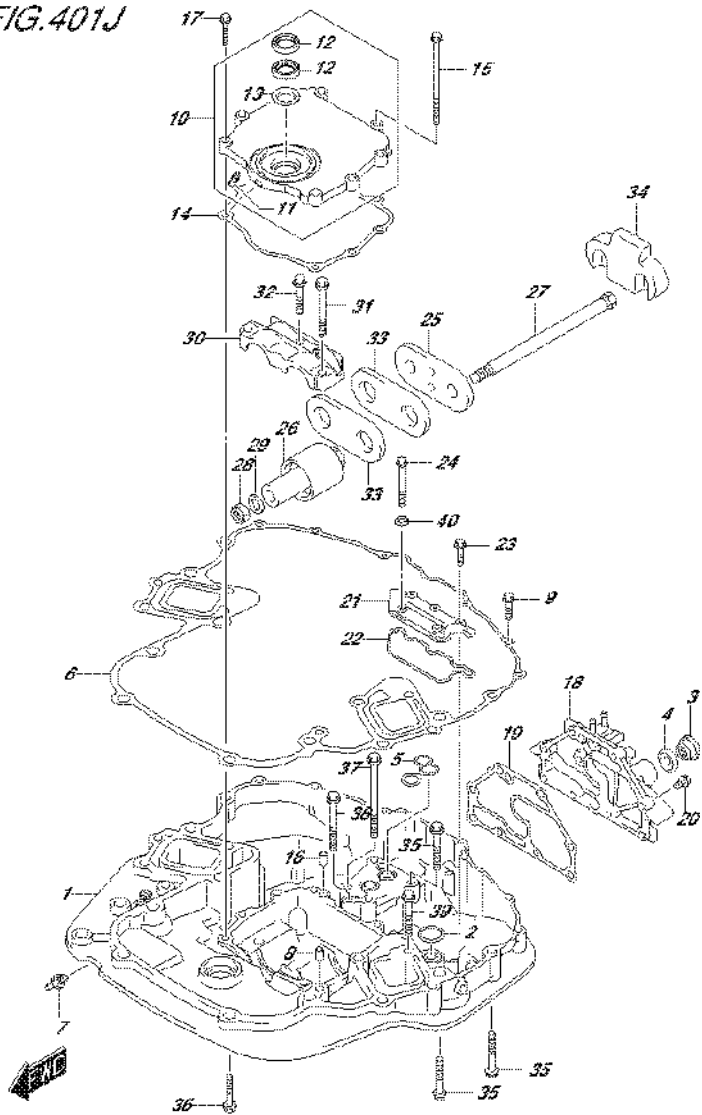


FIG.401J (3-D-4) ENGINE HOLDER (DF250T E01)

REF NO.	PART NO.	DESCRIPTION	Q'TY	REMARKS
1-1	51111-93J20-0EP	HOLDER, ENGINE (BLACK)	1	
1-2	51111-93J20-Y5S	HOLDER, ENGINE (WHITE)	1	
2	16519-93J00	SEAL, ENGINE HOLDER OIL	1	
3	17913-93J00	PLUG, WATER	1	
4	17914-93J00	GASKET, WATER PLUG	1	
5	51116-93J00	SEAL, WATER RETURN	1	
6	51211-93J00	GASKET, ENGINE HOLDER	1	
7	61155-93J20	UNION, WATER INDICATOR	1	
8	09206-08001	PIN (8X11)	2	
9	01550-08307	BOLT	6	
10	51120-93J02	COVER, ASSY MOUNT OIL SEAL	1	
11	22511-99011	.NIPPLE, GREASE	1	
12	51124-93J01	.OIL SEAL	2	
13	51125-93J00	.SCRAPER	1	
14	51123-93J00	GASKET, MOUNT OIL SEAL COVER	1	
15	09103-08109	BOLT (8X120)	2	
16	09206-08001	PIN (8X11)	2	
17	01550-0830A	BOLT	6	
18-1	51140-98J00-0EP	COVER, ENGINE HOLDER (BLACK)	1	
18-2	51140-98J00-Y5S	COVER, ENGINE HOLDER (WHITE)	1	
19	51142-93J00	GASKET, ENGINE HOLDER COV	1	
20	09116-08122	BOLT (8X30)	8	
21	51151-93J00	COVER, ENGINE HOLDER UPPER	1	
22	51152-93J00	SEAL, ENGINE HOLDER UPPER COV	1	
23	01550-08307	BOLT	3	
24	01550-08607	BOLT	2	
25	54123-93J02	PLATE, UPPER MOUNT	1	
26	54130-93J01	MOUNT, UPPER	2	
27	09100-14004	BOLT (14X220)	2	
28	09159-14026	NUT	2	
29	09160-15051	WASHER (15X24X3)	2	

FIG.401J



DF250T_E01_016_401J
ENGINE HOLDER

FIG.401J (3-D-5) ENGINE HOLDER (DF250T E01)

REF NO.	PART NO.	DESCRIPTION	Q'TY	REMARKS
30	54137-93J02	COVER, UPPER MOUNT	1	
31	09116-10135	BOLT (10X95)	2	
32	09116-10175	BOLT (10X50)	1	
33	54121-98J00	STOPPER, UPPER THRUST	2	
34	54125-93J00	MOUNT, UPPER THRUST REVERSE	1	
35	09116-10137	BOLT (10X70)	6	
36	09116-10175	BOLT (10X50)	4	
37	09116-10146	BOLT (10X195)	2	
38	09116-10134	BOLT (10X115)	1	
39	09116-08126	BOLT (8X65)	4	
40	09169-08038	WASHER (8.3X15X3)	2	

DF250_E01_016

FIG.401K

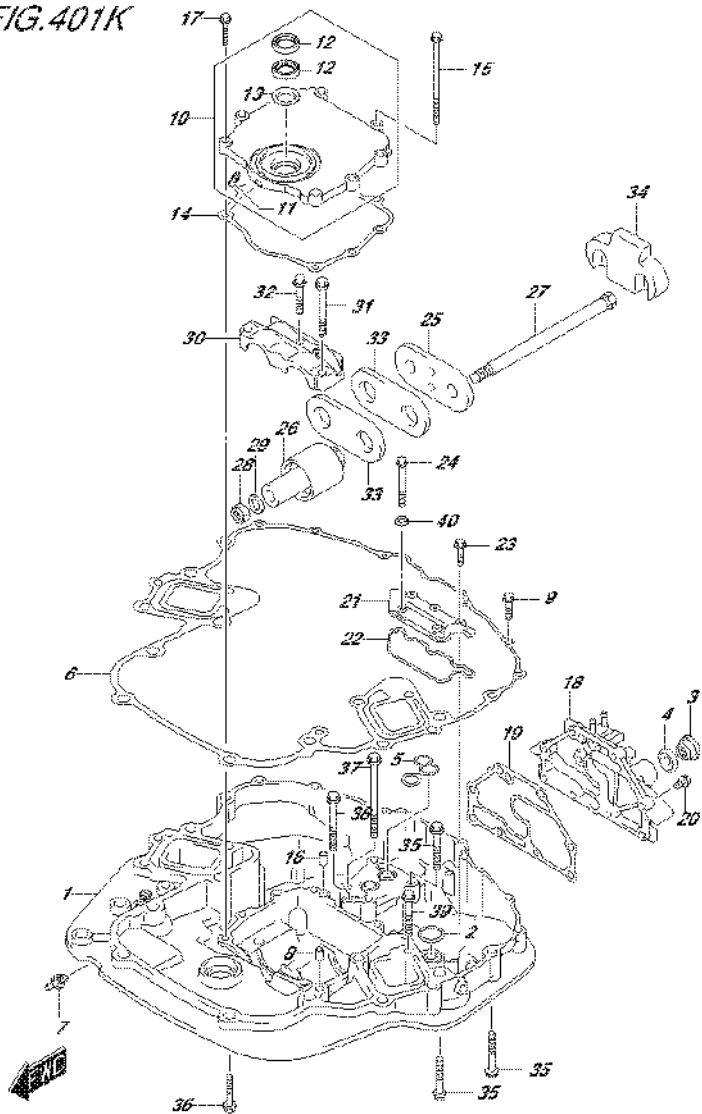
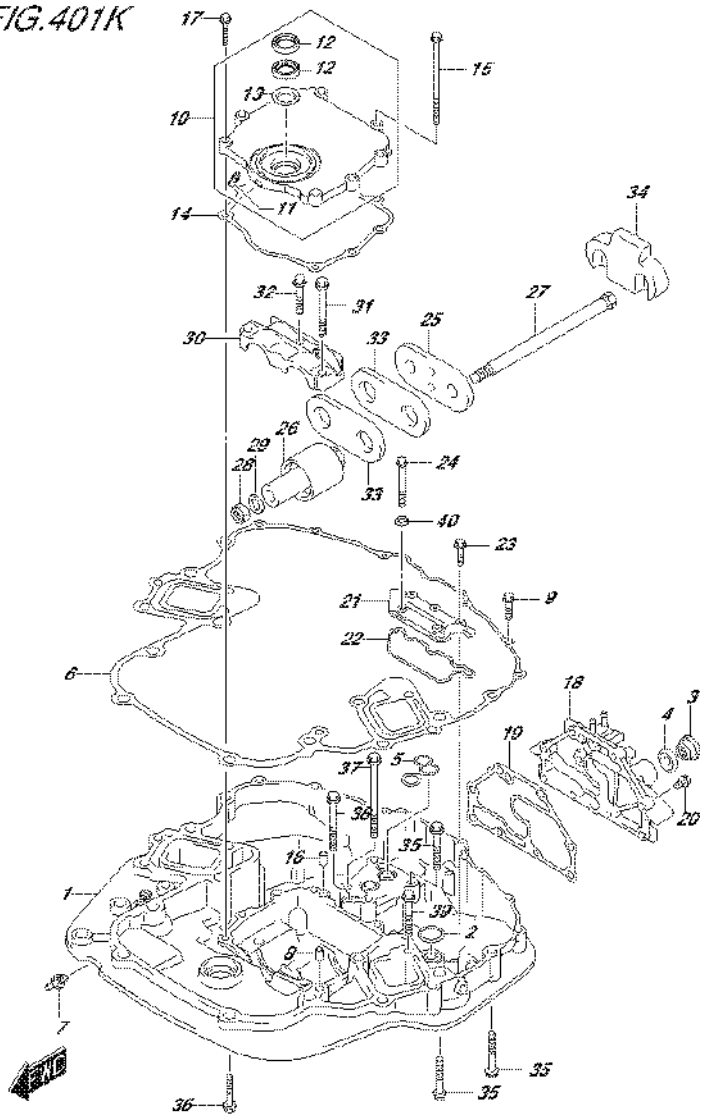


FIG.401K (3-D-6) ENGINE HOLDER (DF250T E40)

REF NO.	PART NO.	DESCRIPTION	Q'TY	REMARKS
1-1	51111-93J20-0EP	HOLDER, ENGINE (BLACK)	1	
1-2	51111-93J20-Y5S	HOLDER, ENGINE (WHITE)	1	
2	16519-93J00	SEAL, ENGINE HOLDER OIL	1	
3	17913-93J00	PLUG, WATER	1	
4	17914-93J00	GASKET, WATER PLUG	1	
5	51116-93J00	SEAL, WATER RETURN	1	
6	51211-93J00	GASKET, ENGINE HOLDER	1	
7	61155-93J20	UNION, WATER INDICATOR	1	
8	09206-08001	PIN (8X11)	2	
9	01550-08307	BOLT	6	
10	51120-93J02	COVER, ASSY MOUNT OIL SEAL	1	
11	22511-99011	.NIPPLE, GREASE	1	
12	51124-93J01	.OIL SEAL	2	
13	51125-93J00	.SCRAPER	1	
14	51123-93J00	GASKET, MOUNT OIL SEAL COVER	1	
15	09103-08109	BOLT (8X120)	2	
16	09206-08001	PIN (8X11)	2	
17	01550-0830A	BOLT	6	
18-1	51140-98J00-0EP	COVER, ENGINE HOLDER (BLACK)	1	
18-2	51140-98J00-Y5S	COVER, ENGINE HOLDER (WHITE)	1	
19	51142-93J00	GASKET, ENGINE HOLDER COV	1	
20	09116-08122	BOLT (8X30)	8	
21	51151-93J00	COVER, ENGINE HOLDER UPPER	1	
22	51152-93J00	SEAL, ENGINE HOLDER UPPER COV	1	
23	01550-08307	BOLT	3	
24	01550-08607	BOLT	2	
25	54123-93J02	PLATE, UPPER MOUNT	1	
26	54130-93J01	MOUNT, UPPER	2	
27	09100-14004	BOLT (14X220)	2	
28	09159-14026	NUT	2	
29	09160-15051	WASHER (15X24X3)	2	

FIG.401K



DF250_E01_016_401K
ENGINE HOLDER

FIG.401K (3-D-7) ENGINE HOLDER (DF250T E40)

REF NO.	PART NO.	DESCRIPTION	Q'TY	REMARKS
30	54137-93J02	COVER, UPPER MOUNT	1	
31	09116-10135	BOLT (10X95)	2	
32	09116-10175	BOLT (10X50)	1	
33	54121-98J00	STOPPER, UPPER THRUST	2	
34	54125-93J00	MOUNT, UPPER THRUST REVERSE	1	
35	09116-10137	BOLT (10X70)	6	
36	09116-10175	BOLT (10X50)	4	
37	09116-10146	BOLT (10X195)	2	
38	09116-10134	BOLT (10X115)	1	
39	09116-08126	BOLT (8X65)	4	
40	09169-08038	WASHER (8.3X15X3)	2	

DF250_E01_016

FIG.401L

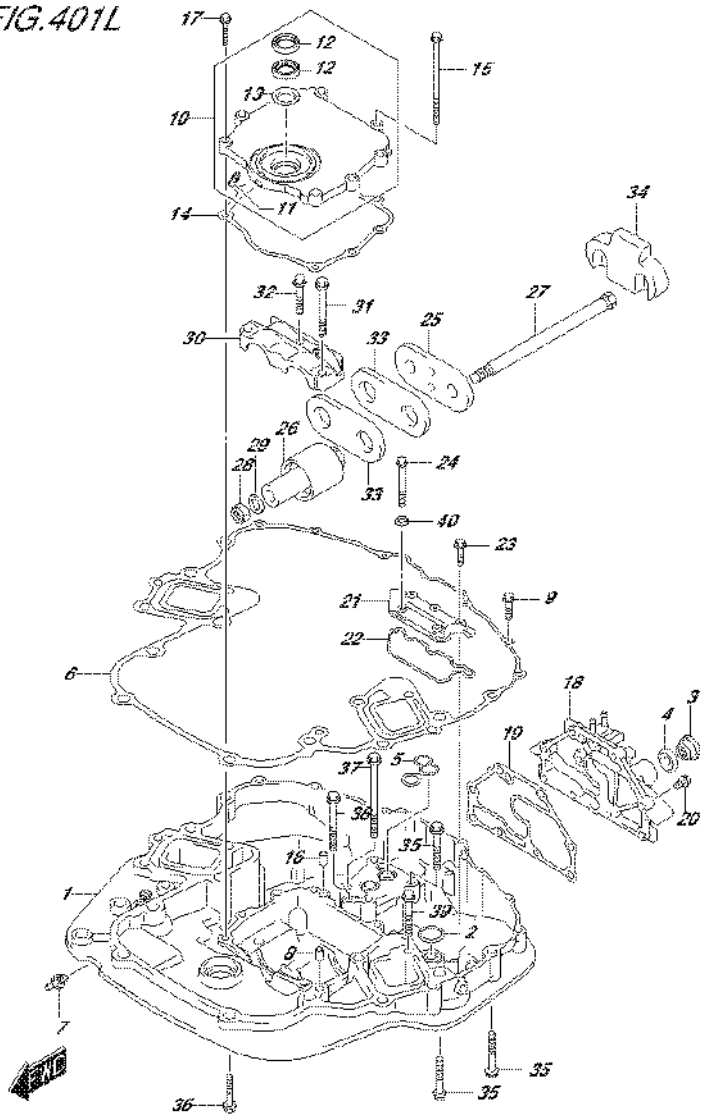


FIG.401L (3-D-8) ENGINE HOLDER (DF250Z E01)

REF NO.	PART NO.	DESCRIPTION	Q'TY	REMARKS
1-1	51111-93J20-0EP	HOLDER, ENGINE (BLACK)	1	
1-2	51111-93J20-Y5S	HOLDER, ENGINE (WHITE)	1	
2	16519-93J00	SEAL, ENGINE HOLDER OIL	1	
3	17913-93J00	PLUG, WATER	1	
4	17914-93J00	GASKET, WATER PLUG	1	
5	51116-93J00	SEAL, WATER RETURN	1	
6	51211-93J00	GASKET, ENGINE HOLDER	1	
7	61155-93J20	UNION, WATER INDICATOR	1	
8	09206-08001	PIN (8X11)	2	
9	01550-08307	BOLT	6	
10	51120-93J02	COVER, ASSY MOUNT OIL SEAL	1	
11	22511-99011	.NIPPLE, GREASE	1	
12	51124-93J01	.OIL SEAL	2	
13	51125-93J00	.SCRAPER	1	
14	51123-93J00	GASKET, MOUNT OIL SEAL COVER	1	
15	09103-08109	BOLT (8X120)	2	
16	09206-08001	PIN (8X11)	2	
17	01550-0830A	BOLT	6	
18-1	51140-98J00-0EP	COVER, ENGINE HOLDER (BLACK)	1	
18-2	51140-98J00-Y5S	COVER, ENGINE HOLDER (WHITE)	1	
19	51142-93J00	GASKET, ENGINE HOLDER COV	1	
20	09116-08122	BOLT (8X30)	8	
21	51151-93J00	COVER, ENGINE HOLDER UPPER	1	
22	51152-93J00	SEAL, ENGINE HOLDER UPPER COV	1	
23	01550-08307	BOLT	3	
24	01550-08607	BOLT	2	
25	54123-93J02	PLATE, UPPER MOUNT	1	
26	54130-93J01	MOUNT, UPPER	2	
27	09100-14004	BOLT (14X220)	2	
28	09159-14026	NUT	2	
29	09160-15051	WASHER (15X24X3)	2	

FIG.401L

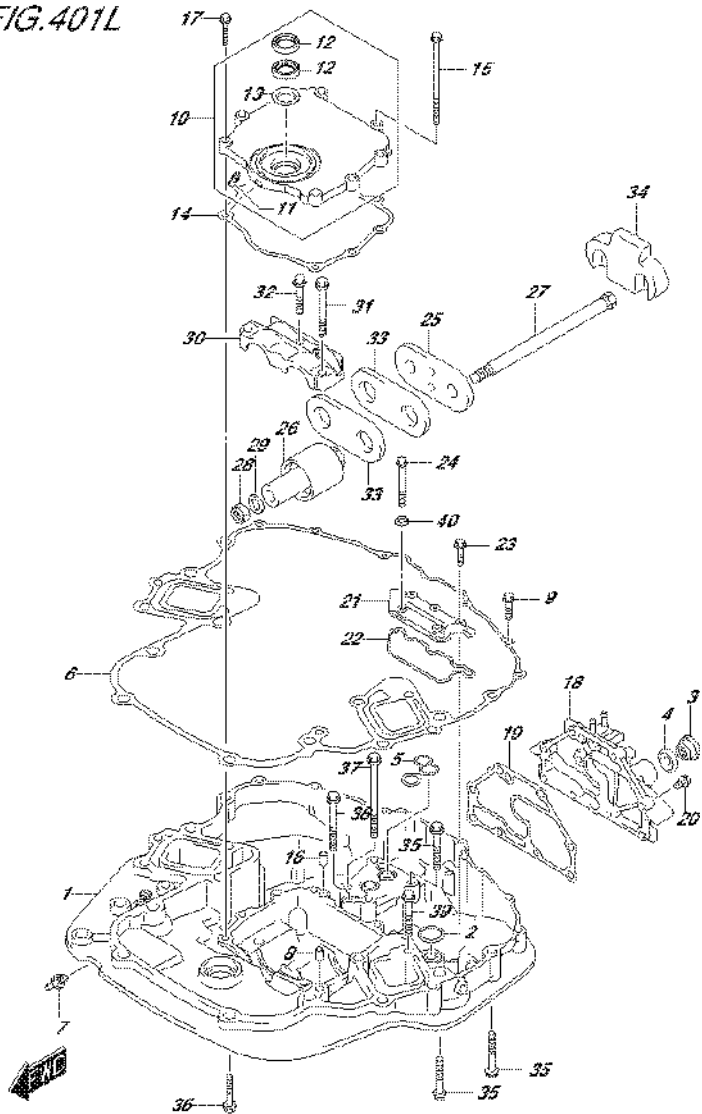


FIG.401L (3-D-9) ENGINE HOLDER (DF250Z E01)

REF NO.	PART NO.	DESCRIPTION	Q'TY	REMARKS
30	54137-93J02	COVER, UPPER MOUNT	1	
31	09116-10135	BOLT (10X95)	2	
32	09116-10175	BOLT (10X50)	1	
33	54121-98J00	STOPPER, UPPER THRUST	2	
34	54125-93J00	MOUNT, UPPER THRUST REVERSE	1	
35	09116-10137	BOLT (10X70)	6	
36	09116-10175	BOLT (10X50)	4	
37	09116-10146	BOLT (10X195)	2	
38	09116-10134	BOLT (10X115)	1	
39	09116-08126	BOLT (8X65)	4	
40	09169-08038	WASHER (8.3X15X3)	2	

FIG.401M

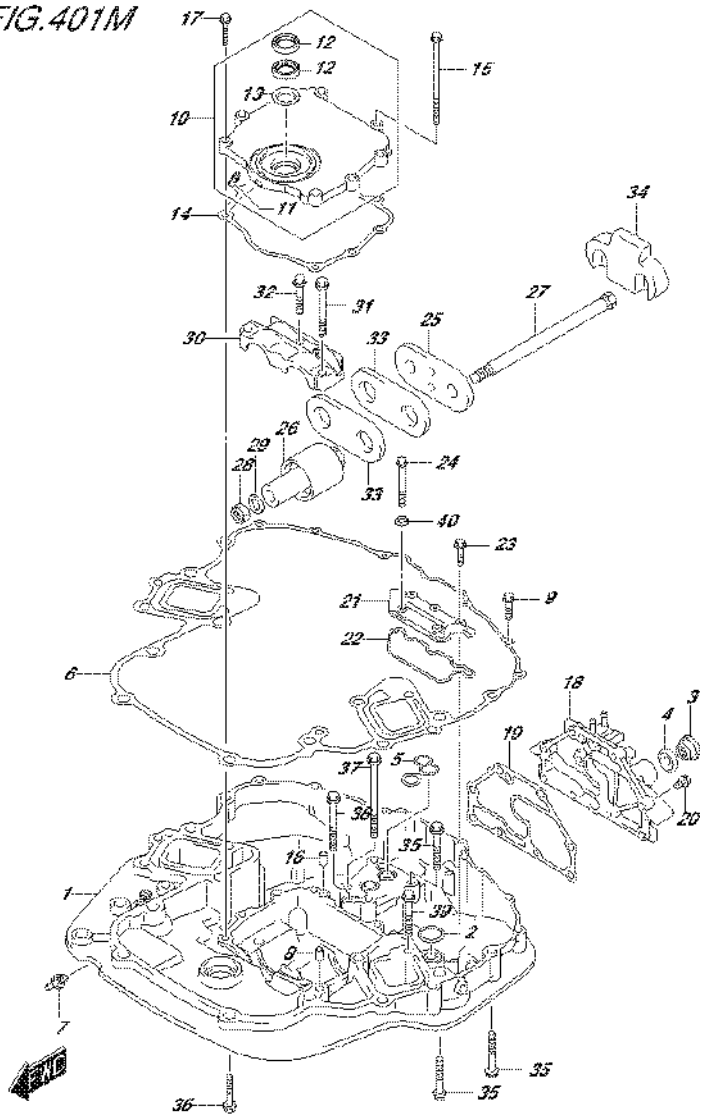
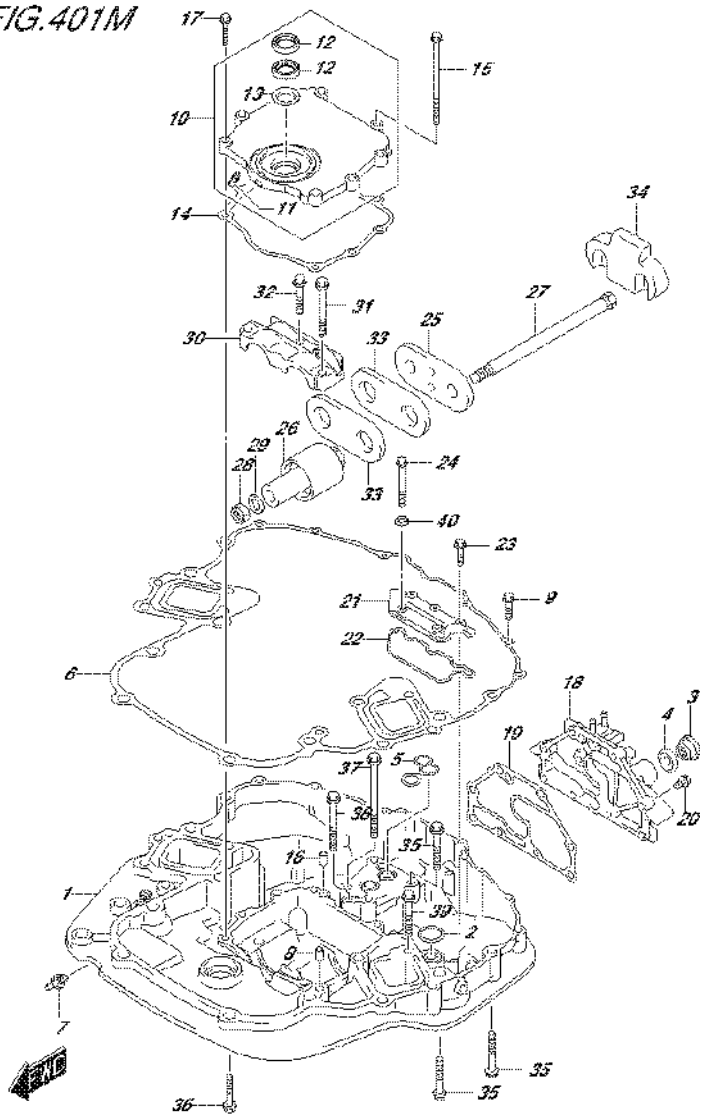


FIG.401M (3-D-10) ENGINE HOLDER (DF250Z E40)

REF NO.	PART NO.	DESCRIPTION	Q'TY	REMARKS
1-1	51111-93J20-0EP	HOLDER, ENGINE (BLACK)	1	
1-2	51111-93J20-Y5S	HOLDER, ENGINE (WHITE)	1	
2	16519-93J00	SEAL, ENGINE HOLDER OIL	1	
3	17913-93J00	PLUG, WATER	1	
4	17914-93J00	GASKET, WATER PLUG	1	
5	51116-93J00	SEAL, WATER RETURN	1	
6	51211-93J00	GASKET, ENGINE HOLDER	1	
7	61155-93J20	UNION, WATER INDICATOR	1	
8	09206-08001	PIN (8X11)	2	
9	01550-08307	BOLT	6	
10	51120-93J02	COVER, ASSY MOUNT OIL SEAL	1	
11	22511-99011	.NIPPLE, GREASE	1	
12	51124-93J01	.OIL SEAL	2	
13	51125-93J00	.SCRAPER	1	
14	51123-93J00	GASKET, MOUNT OIL SEAL COVER	1	
15	09103-08109	BOLT (8X120)	2	
16	09206-08001	PIN (8X11)	2	
17	01550-0830A	BOLT	6	
18-1	51140-98J00-0EP	COVER, ENGINE HOLDER (BLACK)	1	
18-2	51140-98J00-Y5S	COVER, ENGINE HOLDER (WHITE)	1	
19	51142-93J00	GASKET, ENGINE HOLDER COV	1	
20	09116-08122	BOLT (8X30)	8	
21	51151-93J00	COVER, ENGINE HOLDER UPPER	1	
22	51152-93J00	SEAL, ENGINE HOLDER UPPER COV	1	
23	01550-08307	BOLT	3	
24	01550-08607	BOLT	2	
25	54123-93J02	PLATE, UPPER MOUNT	1	
26	54130-93J01	MOUNT, UPPER	2	
27	09100-14004	BOLT (14X220)	2	
28	09159-14026	NUT	2	
29	09160-15051	WASHER (15X24X3)	2	

FIG.401M



DF250Z_E01_016_401M
ENGINE HOLDER

FIG.401M (3-D-11) ENGINE HOLDER (DF250Z E40)

REF NO.	PART NO.	DESCRIPTION	Q'TY	REMARKS
30	54137-93J02	COVER, UPPER MOUNT	1	
31	09116-10135	BOLT (10X95)	2	
32	09116-10175	BOLT (10X50)	1	
33	54121-98J00	STOPPER, UPPER THRUST	2	
34	54125-93J00	MOUNT, UPPER THRUST REVERSE	1	
35	09116-10137	BOLT (10X70)	6	
36	09116-10175	BOLT (10X50)	4	
37	09116-10146	BOLT (10X195)	2	
38	09116-10134	BOLT (10X115)	1	
39	09116-08126	BOLT (8X65)	4	
40	09169-08038	WASHER (8.3X15X3)	2	

DF250_E01_016

FIG. 405A

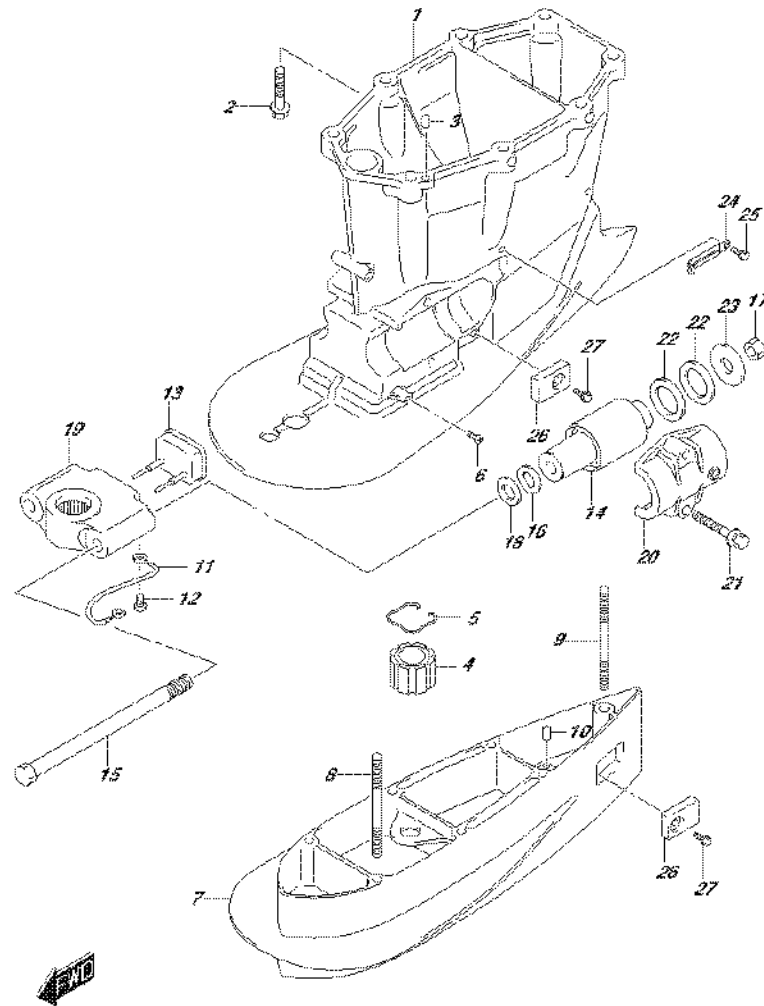


FIG.405A (3-D-12) DRIVE SHAFT HOUSING TRANSOM(X,XX) (DF200T E01)

REF NO.	PART NO.	DESCRIPTION	Q'TY	REMARKS
1-1	52111-93J11-0EP	HOUSING, DRIVE SHAFT (BLACK)	1	
1-2	52111-93J11-Y5S	HOUSING, DRIVE SHAFT (WHITE)	1	
2	09116-10176	BOLT (10X44)	8	
3	09202-08006	PIN (8X12)	2	
4	57130-87D10	BUSH, DRIVE SHAFT	1	
5	09387-38002	RING	1	
6	09125-06063	SCREW (6X10)	1	
7-1	52131-93J00-0EP	CASE, EXTENSION (BLACK)	1	W/TRANSOM(XX)
7-2	52131-93J00-Y5S	CASE, EXTENSION (WHITE)	1	W/TRANSOM(XX)
8	09108-10115	STUD BOLT	6	W/TRANSOM(XX)
9	09108-12013	STUD BOLT	1	W/TRANSOM(XX)
10	09202-08006	PIN (8X12)	2	W/TRANSOM(XX)
11	36894-87D00	LEAD, MT BRKT TO HSG	1	
12	09125-06063	SCREW (6X10)	1	
13	54151-93J00	MOUNT, LOWER THRUST	1	
14	54160-93J01	MOUNT, LOWER	2	
15	09100-14004	BOLT (14X220)	2	
16	09160-16050	WASHER (16X32X3)	2	
17	09159-14026	NUT	2	
18	09160-16050	WASHER (16X32X3)	2	
19-1	54211-93J00-0EP	BRACKET, LOWER MOUNT (BLACK)	1	
19-2	54211-93J00-Y5S	BRACKET, LOWER MOUNT (WHITE)	1	
20-1	54221-93J00-0EP	COVER, LOWER MOUNT (BLACK)	2	
20-2	54221-93J00-Y5S	COVER, LOWER MOUNT (WHITE)	2	
21	09116-10175	BOLT (10X50)	4	
22	54165-98J00	STOPPER, LOWER THRUST REVERSE	4	
23	09160-14066	WASHER (14X50X4)	2	
24	29404-93J10	CLAMP, SPEEDOMETER HOSE	1	
25	29103-93J00	BOLT, CLAMP (6X12)	1	
26-1	55321-93J01	ANODE, PROTECTION	1	W/TRANSOM(X)
26-2	55321-93J01	ANODE, PROTECTION	2	W/TRANSOM(XX)
27-1	09116-06236	BOLT (6X16)	1	W/TRANSOM(X)
27-2	09116-06236	BOLT (6X16)	2	W/TRANSOM(XX)

FIG.405B

FIG.405B (3-D-13) DRIVE SHAFT HOUSING TRANSOM(X) (DF200T E40)

REF NO.	PART NO.	DESCRIPTION	Q'TY	REMARKS
1-1	52111-93J11-0EP	HOUSING, DRIVE SHAFT (BLACK)	1	
1-2	52111-93J11-Y5S	HOUSING, DRIVE SHAFT (WHITE)	1	
2	09116-10176	BOLT (10X44)	8	
3	09202-08006	PIN (8X12)	2	
4	57130-87D10	BUSH, DRIVE SHAFT	1	
5	09387-38002	RING	1	
6	09125-06063	SCREW (6X10)	1	
7	36894-87D00	LEAD, MT BRKT TO HSG	1	
8	09125-06063	SCREW (6X10)	1	
9	54151-93J00	MOUNT, LOWER THRUST	1	
10	54160-93J01	MOUNT, LOWER	2	
11	09100-14004	BOLT (14X220)	2	
12	09160-16050	WASHER (16X32X3)	2	
13	09159-14026	NUT	2	
14	09160-16050	WASHER (16X32X3)	2	
15-1	54211-93J00-0EP	BRACKET, LOWER MOUNT (BLACK)	1	
15-2	54211-93J00-Y5S	BRACKET, LOWER MOUNT (WHITE)	1	
16-1	54221-93J00-0EP	COVER, LOWER MOUNT (BLACK)	2	
16-2	54221-93J00-Y5S	COVER, LOWER MOUNT (WHITE)	2	
17	09116-10175	BOLT (10X50)	4	
18	54165-98J00	STOPPER, LOWER THRUST REVERSE	4	
19	09160-14066	WASHER (14X50X4)	2	
20	29404-93J10	CLAMP, SPEEDOMETER HOSE	1	
21	29103-93J00	BOLT, CLAMP (6X12)	1	
22	55321-93J01	ANODE, PROTECTION	1	
23	09116-06236	BOLT (6X16)	1	

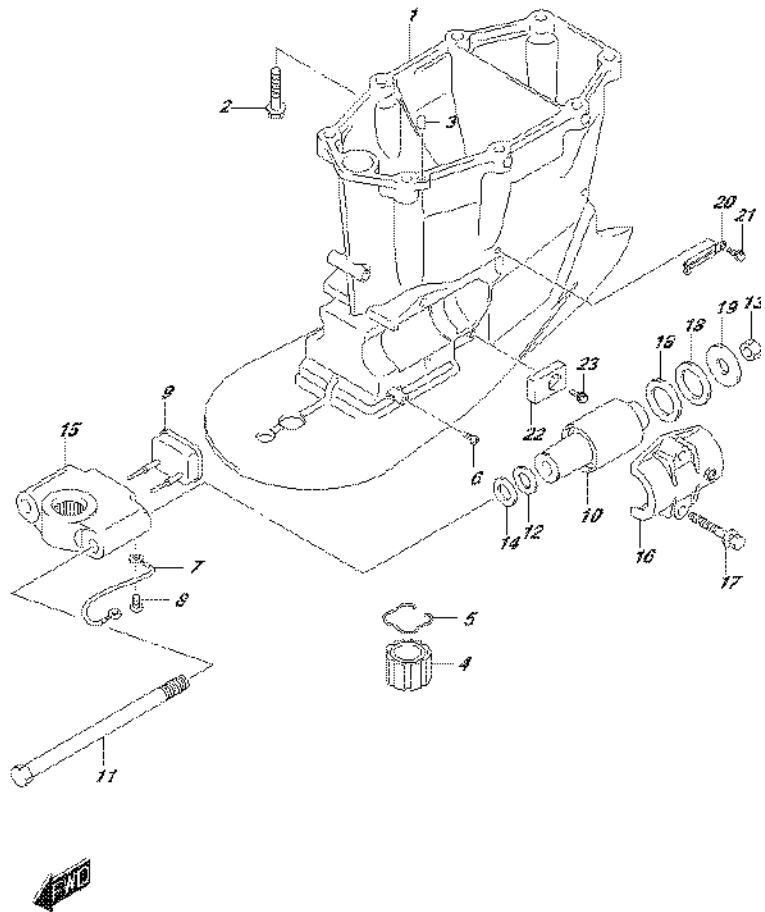
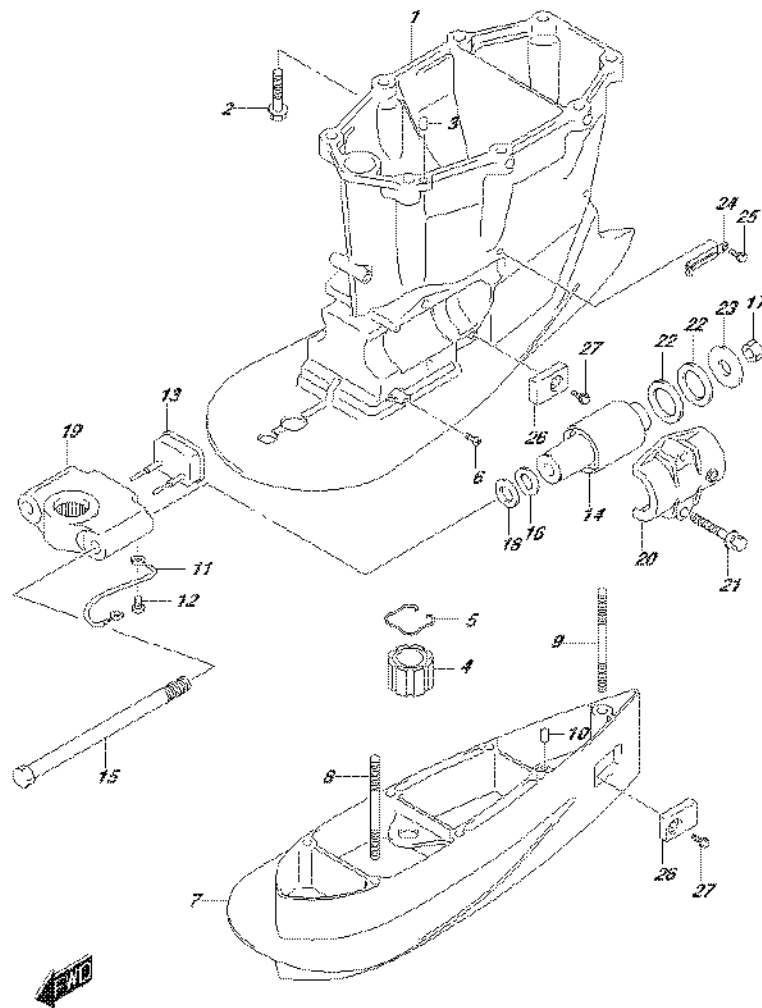


FIG. 405C



DF250_E01_016_405C
DRIVE SHAFT HOUSING

FIG.405C (3-D-14) DRIVE SHAFT HOUSING TRANSOM(X,XX) (DF200Z E01)

REF NO.	PART NO.	DESCRIPTION	Q'TY	REMARKS
1-1	52111-93J11-0EP	HOUSING, DRIVE SHAFT (BLACK)	1	
1-2	52111-93J11-Y5S	HOUSING, DRIVE SHAFT (WHITE)	1	
2	09116-10176	BOLT (10X44)	8	
3	09202-08006	PIN (8X12)	2	
4	57130-87D10	BUSH, DRIVE SHAFT	1	
5	09387-38002	RING	1	
6	09125-06063	SCREW (6X10)	1	
7-1	52131-93J00-0EP	CASE, EXTENSION (BLACK)	1	W/TRANSOM(XX)
7-2	52131-93J00-Y5S	CASE, EXTENSION (WHITE)	1	W/TRANSOM(XX)
8	09108-10115	STUD BOLT	6	W/TRANSOM(XX)
9	09108-12013	STUD BOLT	1	W/TRANSOM(XX)
10	09202-08006	PIN (8X12)	2	W/TRANSOM(XX)
11	36894-87D00	LEAD, MT BRKT TO HSG	1	
12	09125-06063	SCREW (6X10)	1	
13	54151-93J00	MOUNT, LOWER THRUST	1	
14	54160-93J01	MOUNT, LOWER	2	
15	09100-14004	BOLT (14X220)	2	
16	09160-16050	WASHER (16X32X3)	2	
17	09159-14026	NUT	2	
18	09160-16050	WASHER (16X32X3)	2	
19-1	54211-93J00-0EP	BRACKET, LOWER MOUNT (BLACK)	1	
19-2	54211-93J00-Y5S	BRACKET, LOWER MOUNT (WHITE)	1	
20-1	54221-93J00-0EP	COVER, LOWER MOUNT (BLACK)	2	
20-2	54221-93J00-Y5S	COVER, LOWER MOUNT (WHITE)	2	
21	09116-10175	BOLT (10X50)	4	
22	54165-98J00	STOPPER, LOWER THRUST REVERSE	4	
23	09160-14066	WASHER (14X50X4)	2	
24	29404-93J10	CLAMP, SPEEDOMETER HOSE	1	
25	29103-93J00	BOLT, CLAMP (6X12)	1	
26-1	55321-93J01	ANODE, PROTECTION	1	W/TRANSOM(X)
26-2	55321-93J01	ANODE, PROTECTION	2	W/TRANSOM(XX)
27-1	09116-06236	BOLT (6X16)	1	W/TRANSOM(X)
27-2	09116-06236	BOLT (6X16)	2	W/TRANSOM(XX)

DF250_E01_016

FIG.405D

FIG.405D (3-D-15) DRIVE SHAFT HOUSING TRANSOM(X) (DF200Z E40)

REF NO.	PART NO.	DESCRIPTION	Q'TY	REMARKS
1-1	52111-93J11-0EP	HOUSING, DRIVE SHAFT (BLACK)	1	
1-2	52111-93J11-Y5S	HOUSING, DRIVE SHAFT (WHITE)	1	
2	09116-10176	BOLT (10X44)	8	
3	09202-08006	PIN (8X12)	2	
4	57130-87D10	BUSH, DRIVE SHAFT	1	
5	09387-38002	RING	1	
6	09125-06063	SCREW (6X10)	1	
7	36894-87D00	LEAD, MT BRKT TO HSG	1	
8	09125-06063	SCREW (6X10)	1	
9	54151-93J00	MOUNT, LOWER THRUST	1	
10	54160-93J01	MOUNT, LOWER	2	
11	09100-14004	BOLT (14X220)	2	
12	09160-16050	WASHER (16X32X3)	2	
13	09159-14026	NUT	2	
14	09160-16050	WASHER (16X32X3)	2	
15-1	54211-93J00-0EP	BRACKET, LOWER MOUNT (BLACK)	1	
15-2	54211-93J00-Y5S	BRACKET, LOWER MOUNT (WHITE)	1	
16-1	54221-93J00-0EP	COVER, LOWER MOUNT (BLACK)	2	
16-2	54221-93J00-Y5S	COVER, LOWER MOUNT (WHITE)	2	
17	09116-10175	BOLT (10X50)	4	
18	54165-98J00	STOPPER, LOWER THRUST REVERSE	4	
19	09160-14066	WASHER (14X50X4)	2	
20	29404-93J10	CLAMP, SPEEDOMETER HOSE	1	
21	29103-93J00	BOLT, CLAMP (6X12)	1	
22	55321-93J01	ANODE, PROTECTION	1	
23	09116-06236	BOLT (6X16)	1	

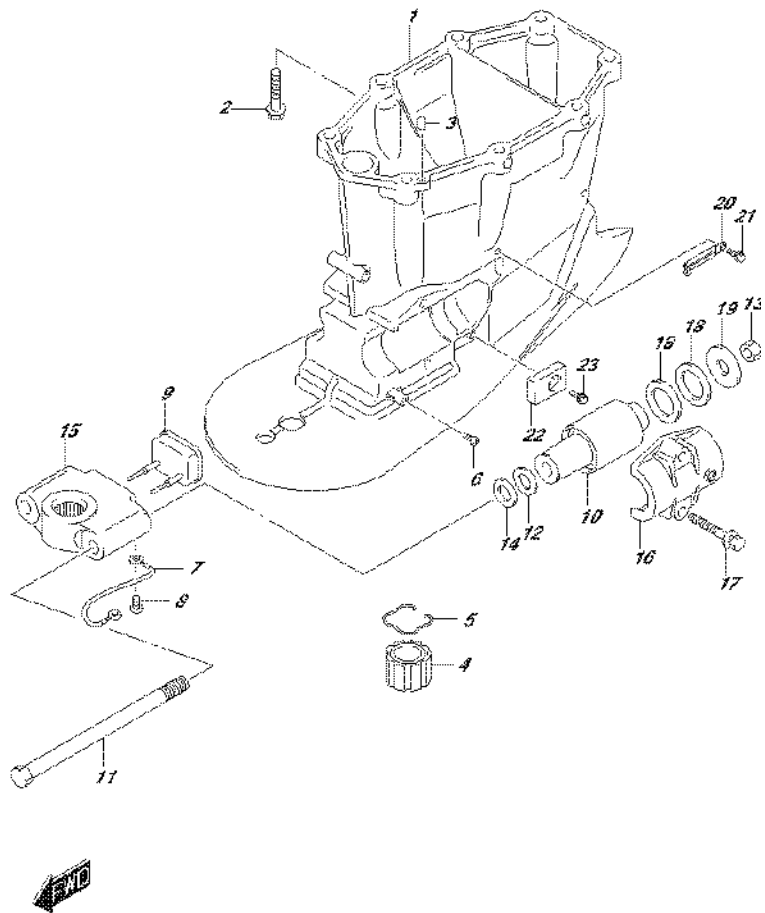
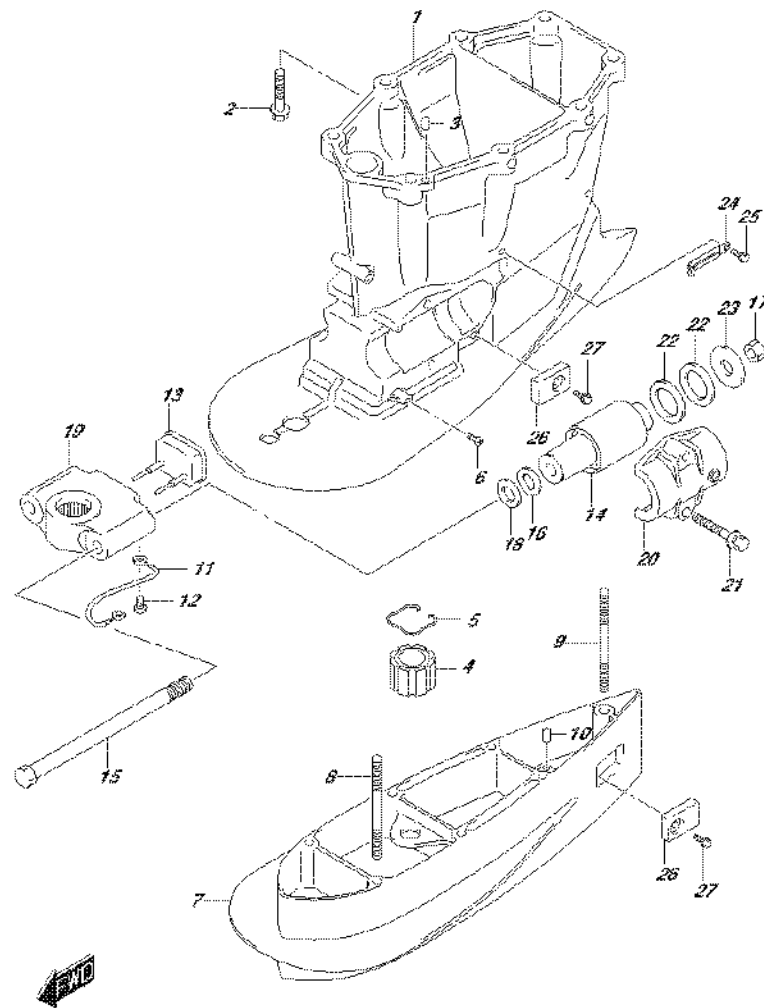


FIG.405E

FIG.405E (3-E-2) DRIVE SHAFT HOUSING TRANSOM(X,XX) (DF225T E01)



REF NO.	PART NO.	DESCRIPTION	Q'TY	REMARKS
1-1	52111-93J11-0EP	HOUSING, DRIVE SHAFT (BLACK)	1	
1-2	52111-93J11-Y5S	HOUSING, DRIVE SHAFT (WHITE)	1	
2	09116-10176	BOLT (10X44)	8	
3	09202-08006	PIN (8X12)	2	
4	57130-87D10	BUSH, DRIVE SHAFT	1	
5	09387-38002	RING	1	
6	09125-06063	SCREW (6X10)	1	
7-1	52131-93J00-0EP	CASE, EXTENSION (BLACK)	1	W/TRANSOM(XX)
7-2	52131-93J00-Y5S	CASE, EXTENSION (WHITE)	1	W/TRANSOM(XX)
8	09108-10115	STUD BOLT	6	W/TRANSOM(XX)
9	09108-12013	STUD BOLT	1	W/TRANSOM(XX)
10	09202-08006	PIN (8X12)	2	W/TRANSOM(XX)
11	36894-87D00	LEAD, MT BRKT TO HSG	1	
12	09125-06063	SCREW (6X10)	1	
13	54151-93J00	MOUNT, LOWER THRUST	1	
14	54160-93J01	MOUNT, LOWER	2	
15	09100-14004	BOLT (14X220)	2	
16	09160-16050	WASHER (16X32X3)	2	
17	09159-14026	NUT	2	
18	09160-16050	WASHER (16X32X3)	2	
19-1	54211-93J00-0EP	BRACKET, LOWER MOUNT (BLACK)	1	
19-2	54211-93J00-Y5S	BRACKET, LOWER MOUNT (WHITE)	1	
20-1	54221-93J00-0EP	COVER, LOWER MOUNT (BLACK)	2	
20-2	54221-93J00-Y5S	COVER, LOWER MOUNT (WHITE)	2	
21	09116-10175	BOLT (10X50)	4	
22	54165-98J00	STOPPER, LOWER THRUST REVERSE	4	
23	09160-14066	WASHER (14X50X4)	2	
24	29404-93J10	CLAMP, SPEEDOMETER HOSE	1	
25	29103-93J00	BOLT, CLAMP (6X12)	1	
26-1	55321-93J01	ANODE, PROTECTION	1	W/TRANSOM(X)
26-2	55321-93J01	ANODE, PROTECTION	2	W/TRANSOM(XX)
27-1	09116-06236	BOLT (6X16)	1	W/TRANSOM(X)
27-2	09116-06236	BOLT (6X16)	2	W/TRANSOM(XX)

FIG.405F

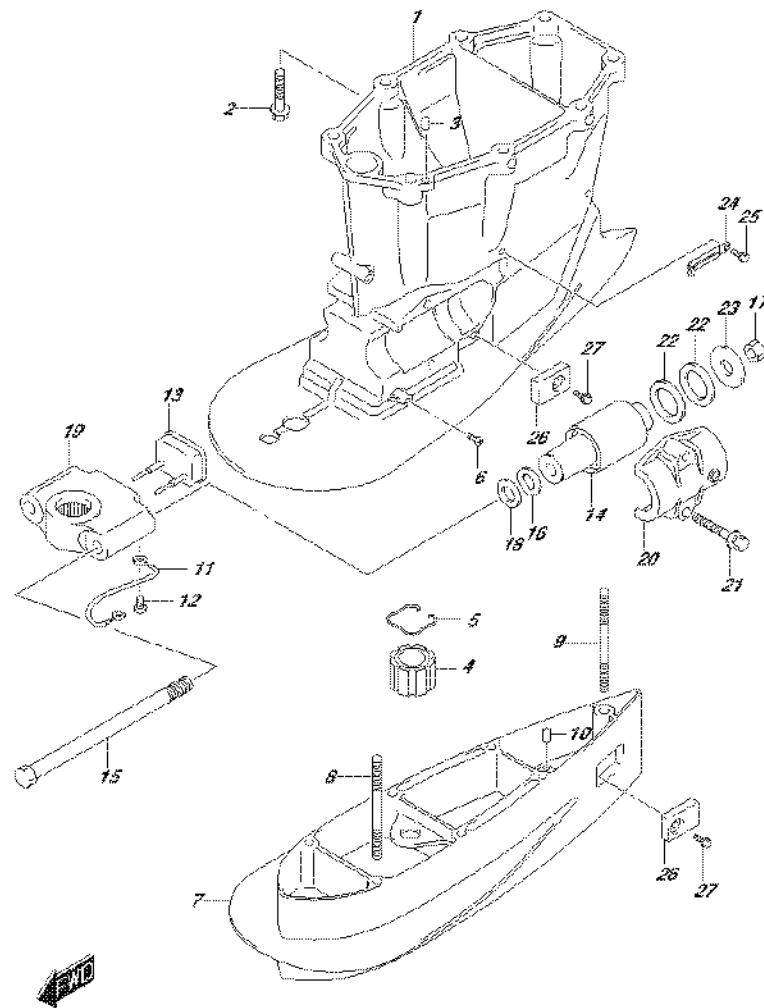
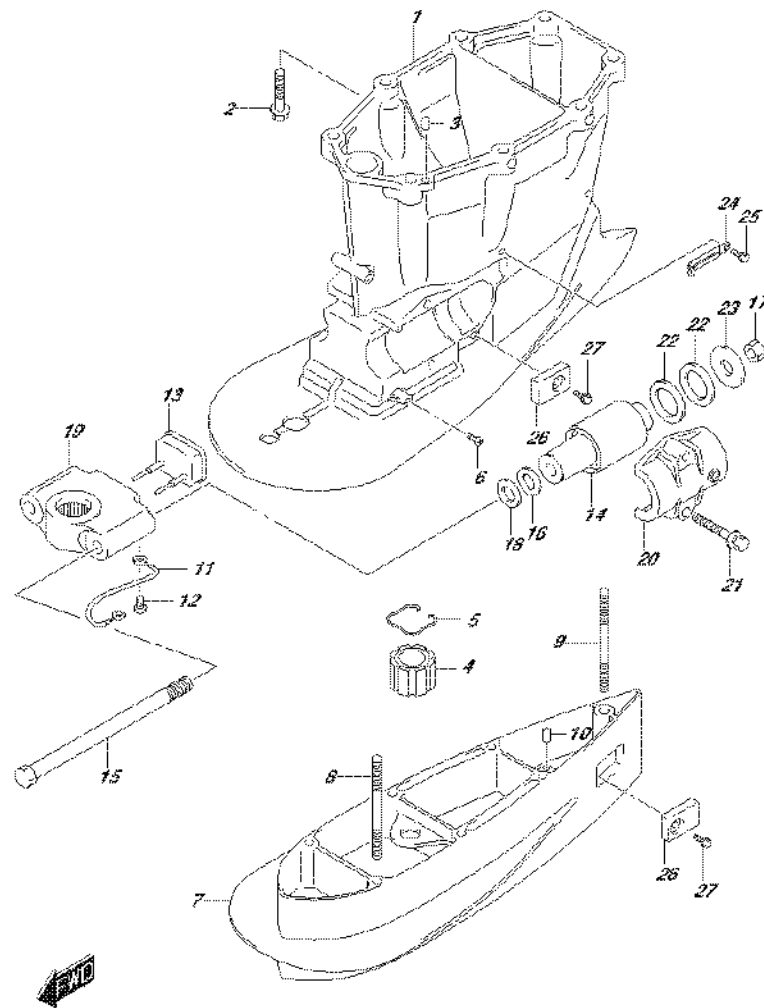


FIG.405F (3-E-3) DRIVE SHAFT HOUSING TRANSOM(X,XX) (DF225T E40)

REF NO.	PART NO.	DESCRIPTION	Q'TY	REMARKS
1-1	52111-93J11-0EP	HOUSING, DRIVE SHAFT (BLACK)	1	
1-2	52111-93J11-Y5S	HOUSING, DRIVE SHAFT (WHITE)	1	
2	09116-10176	BOLT (10X44)	8	
3	09202-08006	PIN (8X12)	2	
4	57130-87D10	BUSH, DRIVE SHAFT	1	
5	09387-38002	RING	1	
6	09125-06063	SCREW (6X10)	1	
7-1	52131-93J00-0EP	CASE, EXTENSION (BLACK)	1	W/TRANSOM(XX)
7-2	52131-93J00-Y5S	CASE, EXTENSION (WHITE)	1	W/TRANSOM(XX)
8	09108-10115	STUD BOLT	6	W/TRANSOM(XX)
9	09108-12013	STUD BOLT	1	W/TRANSOM(XX)
10	09202-08006	PIN (8X12)	2	W/TRANSOM(XX)
11	36894-87D00	LEAD, MT BRKT TO HSG	1	
12	09125-06063	SCREW (6X10)	1	
13	54151-93J00	MOUNT, LOWER THRUST	1	
14	54160-93J01	MOUNT, LOWER	2	
15	09100-14004	BOLT (14X220)	2	
16	09160-16050	WASHER (16X32X3)	2	
17	09159-14026	NUT	2	
18	09160-16050	WASHER (16X32X3)	2	
19-1	54211-93J00-0EP	BRACKET, LOWER MOUNT (BLACK)	1	
19-2	54211-93J00-Y5S	BRACKET, LOWER MOUNT (WHITE)	1	
20-1	54221-93J00-0EP	COVER, LOWER MOUNT (BLACK)	2	
20-2	54221-93J00-Y5S	COVER, LOWER MOUNT (WHITE)	2	
21	09116-10175	BOLT (10X50)	4	
22	54165-98J00	STOPPER, LOWER THRUST REVERSE	4	
23	09160-14066	WASHER (14X50X4)	2	
24	29404-93J10	CLAMP, SPEEDOMETER HOSE	1	
25	29103-93J00	BOLT, CLAMP (6X12)	1	
26-1	55321-93J01	ANODE, PROTECTION	1	W/TRANSOM(X)
26-2	55321-93J01	ANODE, PROTECTION	2	W/TRANSOM(XX)
27-1	09116-06236	BOLT (6X16)	1	W/TRANSOM(X)
27-2	09116-06236	BOLT (6X16)	2	W/TRANSOM(XX)

FIG.405H

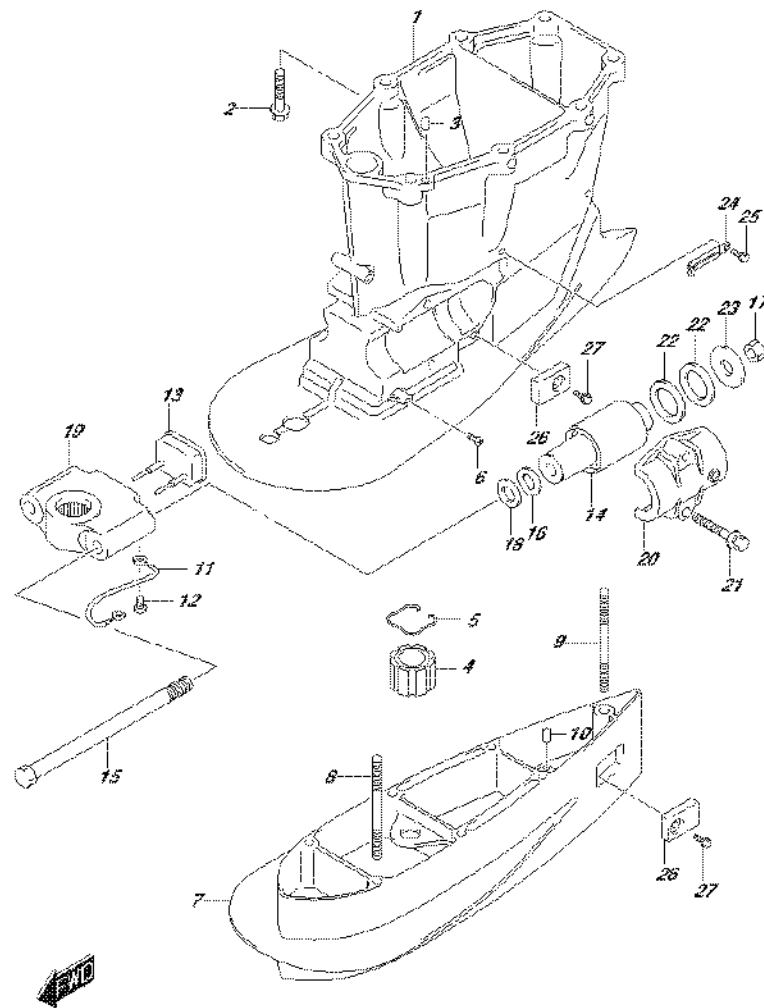
FIG.405H (3-E-5) DRIVE SHAFT HOUSING TRANSOM(X,XX) (DF225Z E40)



REF NO.	PART NO.	DESCRIPTION	Q'TY	REMARKS
1-1	52111-93J11-0EP	HOUSING, DRIVE SHAFT (BLACK)	1	
1-2	52111-93J11-Y5S	HOUSING, DRIVE SHAFT (WHITE)	1	
2	09116-10176	BOLT (10X44)	8	
3	09202-08006	PIN (8X12)	2	
4	57130-87D10	BUSH, DRIVE SHAFT	1	
5	09387-38002	RING	1	
6	09125-06063	SCREW (6X10)	1	
7-1	52131-93J00-0EP	CASE, EXTENSION (BLACK)	1	W/TRANSOM(XX)
7-2	52131-93J00-Y5S	CASE, EXTENSION (WHITE)	1	W/TRANSOM(XX)
8	09108-10115	STUD BOLT	6	W/TRANSOM(XX)
9	09108-12013	STUD BOLT	1	W/TRANSOM(XX)
10	09202-08006	PIN (8X12)	2	W/TRANSOM(XX)
11	36894-87D00	LEAD, MT BRKT TO HSG	1	
12	09125-06063	SCREW (6X10)	1	
13	54151-93J00	MOUNT, LOWER THRUST	1	
14	54160-93J01	MOUNT, LOWER	2	
15	09100-14004	BOLT (14X220)	2	
16	09160-16050	WASHER (16X32X3)	2	
17	09159-14026	NUT	2	
18	09160-16050	WASHER (16X32X3)	2	
19-1	54211-93J00-0EP	BRACKET, LOWER MOUNT (BLACK)	1	
19-2	54211-93J00-Y5S	BRACKET, LOWER MOUNT (WHITE)	1	
20-1	54221-93J00-0EP	COVER, LOWER MOUNT (BLACK)	2	
20-2	54221-93J00-Y5S	COVER, LOWER MOUNT (WHITE)	2	
21	09116-10175	BOLT (10X50)	4	
22	54165-98J00	STOPPER, LOWER THRUST REVERSE	4	
23	09160-14066	WASHER (14X50X4)	2	
24	29404-93J10	CLAMP, SPEEDOMETER HOSE	1	
25	29103-93J00	BOLT, CLAMP (6X12)	1	
26-1	55321-93J01	ANODE, PROTECTION	1	W/TRANSOM(X)
26-2	55321-93J01	ANODE, PROTECTION	2	W/TRANSOM(XX)
27-1	09116-06236	BOLT (6X16)	1	W/TRANSOM(X)
27-2	09116-06236	BOLT (6X16)	2	W/TRANSOM(XX)

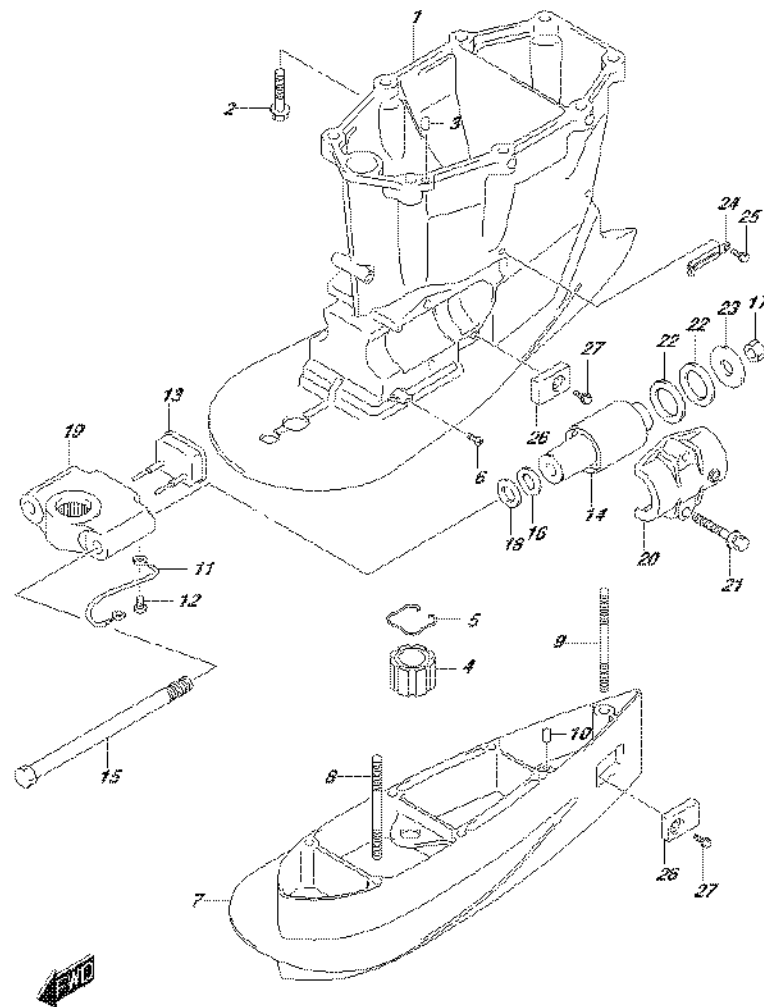
FIG.405J

FIG.405J (3-E-6) DRIVE SHAFT HOUSING TRANSOM(X,XX) (DF250T E01)



REF NO.	PART NO.	DESCRIPTION	Q'TY	REMARKS
1-1	52111-93J11-0EP	HOUSING, DRIVE SHAFT (BLACK)	1	
1-2	52111-93J11-Y5S	HOUSING, DRIVE SHAFT (WHITE)	1	
2	09116-10176	BOLT (10X44)	8	
3	09202-08006	PIN (8X12)	2	
4	57130-87D10	BUSH, DRIVE SHAFT	1	
5	09387-38002	RING	1	
6	09125-06063	SCREW (6X10)	1	
7-1	52131-93J00-0EP	CASE, EXTENSION (BLACK)	1	W/TRANSOM(XX)
7-2	52131-93J00-Y5S	CASE, EXTENSION (WHITE)	1	W/TRANSOM(XX)
8	09108-10115	STUD BOLT	6	W/TRANSOM(XX)
9	09108-12013	STUD BOLT	1	W/TRANSOM(XX)
10	09202-08006	PIN (8X12)	2	W/TRANSOM(XX)
11	36894-87D00	LEAD, MT BRKT TO HSG	1	
12	09125-06063	SCREW (6X10)	1	
13	54151-93J00	MOUNT, LOWER THRUST	1	
14	54160-93J01	MOUNT, LOWER	2	
15	09100-14004	BOLT (14X220)	2	
16	09160-16050	WASHER (16X32X3)	2	
17	09159-14026	NUT	2	
18	09160-16050	WASHER (16X32X3)	2	
19-1	54211-93J00-0EP	BRACKET, LOWER MOUNT (BLACK)	1	
19-2	54211-93J00-Y5S	BRACKET, LOWER MOUNT (WHITE)	1	
20-1	54221-93J00-0EP	COVER, LOWER MOUNT (BLACK)	2	
20-2	54221-93J00-Y5S	COVER, LOWER MOUNT (WHITE)	2	
21	09116-10175	BOLT (10X50)	4	
22	54165-98J00	STOPPER, LOWER THRUST REVERSE	4	
23	09160-14066	WASHER (14X50X4)	2	
24	29404-93J10	CLAMP, SPEEDOMETER HOSE	1	
25	29103-93J00	BOLT, CLAMP (6X12)	1	
26-1	55321-93J01	ANODE, PROTECTION	1	W/TRANSOM(X)
26-2	55321-93J01	ANODE, PROTECTION	2	W/TRANSOM(XX)
27-1	09116-06236	BOLT (6X16)	1	W/TRANSOM(X)
27-2	09116-06236	BOLT (6X16)	2	W/TRANSOM(XX)

FIG.405K



DF250_E01_016_405K
DRIVE SHAFT HOUSING

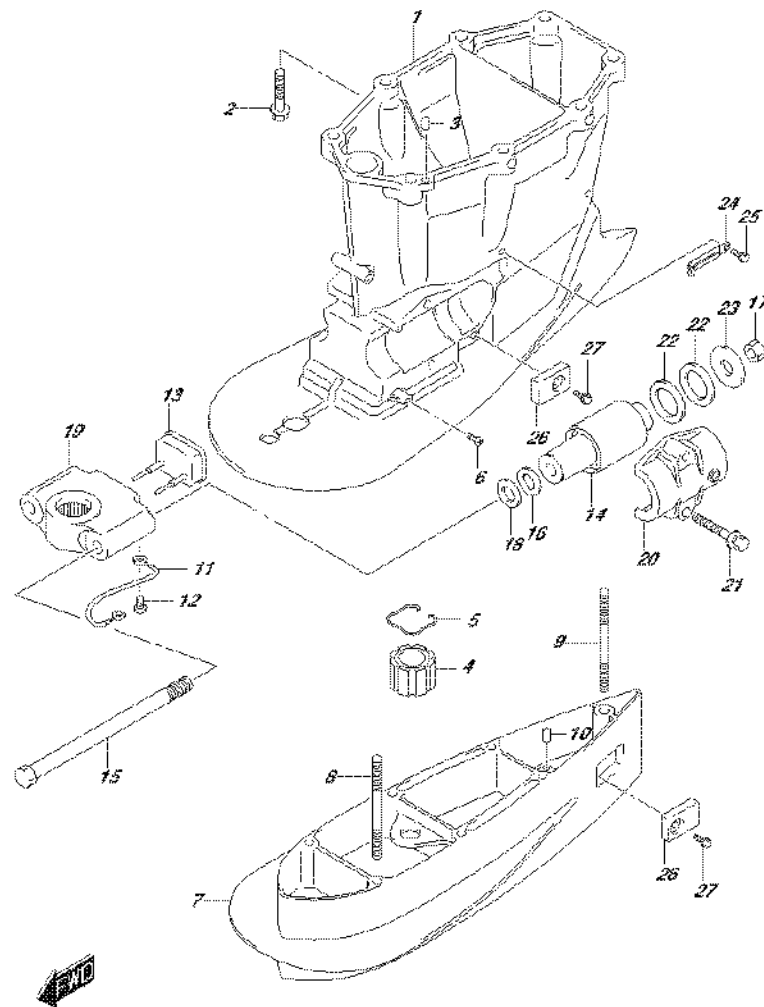
FIG.405K (3-E-7) DRIVE SHAFT HOUSING TRANSOM(X,XX) (DF250T E40)

REF NO.	PART NO.	DESCRIPTION	Q'TY	REMARKS
1-1	52111-93J11-0EP	HOUSING, DRIVE SHAFT (BLACK)	1	
1-2	52111-93J11-Y5S	HOUSING, DRIVE SHAFT (WHITE)	1	
2	09116-10176	BOLT (10X44)	8	
3	09202-08006	PIN (8X12)	2	
4	57130-87D10	BUSH, DRIVE SHAFT	1	
5	09387-38002	RING	1	
6	09125-06063	SCREW (6X10)	1	
7-1	52131-93J00-0EP	CASE, EXTENSION (BLACK)	1	W/TRANSOM(XX)
7-2	52131-93J00-Y5S	CASE, EXTENSION (WHITE)	1	W/TRANSOM(XX)
8	09108-10115	STUD BOLT	6	W/TRANSOM(XX)
9	09108-12013	STUD BOLT	1	W/TRANSOM(XX)
10	09202-08006	PIN (8X12)	2	W/TRANSOM(XX)
11	36894-87D00	LEAD, MT BRKT TO HSG	1	
12	09125-06063	SCREW (6X10)	1	
13	54151-93J00	MOUNT, LOWER THRUST	1	
14	54160-93J01	MOUNT, LOWER	2	
15	09100-14004	BOLT (14X220)	2	
16	09160-16050	WASHER (16X32X3)	2	
17	09159-14026	NUT	2	
18	09160-16050	WASHER (16X32X3)	2	
19-1	54211-93J00-0EP	BRACKET, LOWER MOUNT (BLACK)	1	
19-2	54211-93J00-Y5S	BRACKET, LOWER MOUNT (WHITE)	1	
20-1	54221-93J00-0EP	COVER, LOWER MOUNT (BLACK)	2	
20-2	54221-93J00-Y5S	COVER, LOWER MOUNT (WHITE)	2	
21	09116-10175	BOLT (10X50)	4	
22	54165-98J00	STOPPER, LOWER THRUST REVERSE	4	
23	09160-14066	WASHER (14X50X4)	2	
24	29404-93J10	CLAMP, SPEEDOMETER HOSE	1	
25	29103-93J00	BOLT, CLAMP (6X12)	1	
26-1	55321-93J01	ANODE, PROTECTION	1	W/TRANSOM(X)
26-2	55321-93J01	ANODE, PROTECTION	2	W/TRANSOM(XX)
27-1	09116-06236	BOLT (6X16)	1	W/TRANSOM(X)
27-2	09116-06236	BOLT (6X16)	2	W/TRANSOM(XX)

DF250_E01_016

FIG. 405L

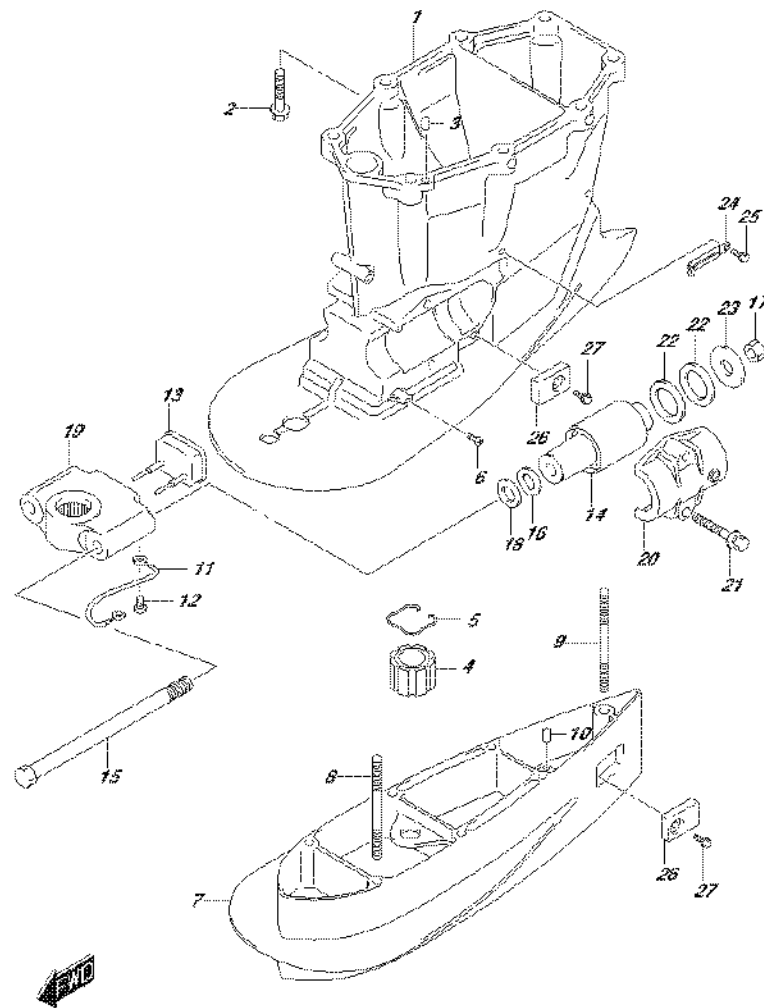
FIG.405L (3-E-8) DRIVE SHAFT HOUSING TRANSOM(X,XX) (DF250Z E01)



REF NO.	PART NO.	DESCRIPTION	Q'TY	REMARKS
1-1	52111-93J11-0EP	HOUSING, DRIVE SHAFT (BLACK)	1	
1-2	52111-93J11-Y5S	HOUSING, DRIVE SHAFT (WHITE)	1	
2	09116-10176	BOLT (10X44)	8	
3	09202-08006	PIN (8X12)	2	
4	57130-87D10	BUSH, DRIVE SHAFT	1	
5	09387-38002	RING	1	
6	09125-06063	SCREW (6X10)	1	
7-1	52131-93J00-0EP	CASE, EXTENSION (BLACK)	1	W/TRANSOM(XX)
7-2	52131-93J00-Y5S	CASE, EXTENSION (WHITE)	1	W/TRANSOM(XX)
8	09108-10115	STUD BOLT	6	W/TRANSOM(XX)
9	09108-12013	STUD BOLT	1	W/TRANSOM(XX)
10	09202-08006	PIN (8X12)	2	W/TRANSOM(XX)
11	36894-87D00	LEAD, MT BRKT TO HSG	1	
12	09125-06063	SCREW (6X10)	1	
13	54151-93J00	MOUNT, LOWER THRUST	1	
14	54160-93J01	MOUNT, LOWER	2	
15	09100-14004	BOLT (14X220)	2	
16	09160-16050	WASHER (16X32X3)	2	
17	09159-14026	NUT	2	
18	09160-16050	WASHER (16X32X3)	2	
19-1	54211-93J00-0EP	BRACKET, LOWER MOUNT (BLACK)	1	
19-2	54211-93J00-Y5S	BRACKET, LOWER MOUNT (WHITE)	1	
20-1	54221-93J00-0EP	COVER, LOWER MOUNT (BLACK)	2	
20-2	54221-93J00-Y5S	COVER, LOWER MOUNT (WHITE)	2	
21	09116-10175	BOLT (10X50)	4	
22	54165-98J00	STOPPER, LOWER THRUST REVERSE	4	
23	09160-14066	WASHER (14X50X4)	2	
24	29404-93J10	CLAMP, SPEEDOMETER HOSE	1	
25	29103-93J00	BOLT, CLAMP (6X12)	1	
26-1	55321-93J01	ANODE, PROTECTION	1	W/TRANSOM(X)
26-2	55321-93J01	ANODE, PROTECTION	2	W/TRANSOM(XX)
27-1	09116-06236	BOLT (6X16)	1	W/TRANSOM(X)
27-2	09116-06236	BOLT (6X16)	2	W/TRANSOM(XX)

FIG. 405M

FIG.405M (3-E-9) DRIVE SHAFT HOUSING TRANSOM(X,XX) (DF250Z E40)



REF NO.	PART NO.	DESCRIPTION	Q'TY	REMARKS
1-1	52111-93J11-0EP	HOUSING, DRIVE SHAFT (BLACK)	1	
1-2	52111-93J11-Y5S	HOUSING, DRIVE SHAFT (WHITE)	1	
2	09116-10176	BOLT (10X44)	8	
3	09202-08006	PIN (8X12)	2	
4	57130-87D10	BUSH, DRIVE SHAFT	1	
5	09387-38002	RING	1	
6	09125-06063	SCREW (6X10)	1	
7-1	52131-93J00-0EP	CASE, EXTENSION (BLACK)	1	W/TRANSOM(XX)
7-2	52131-93J00-Y5S	CASE, EXTENSION (WHITE)	1	W/TRANSOM(XX)
8	09108-10115	STUD BOLT	6	W/TRANSOM(XX)
9	09108-12013	STUD BOLT	1	W/TRANSOM(XX)
10	09202-08006	PIN (8X12)	2	W/TRANSOM(XX)
11	36894-87D00	LEAD, MT BRKT TO HSG	1	
12	09125-06063	SCREW (6X10)	1	
13	54151-93J00	MOUNT, LOWER THRUST	1	
14	54160-93J01	MOUNT, LOWER	2	
15	09100-14004	BOLT (14X220)	2	
16	09160-16050	WASHER (16X32X3)	2	
17	09159-14026	NUT	2	
18	09160-16050	WASHER (16X32X3)	2	
19-1	54211-93J00-0EP	BRACKET, LOWER MOUNT (BLACK)	1	
19-2	54211-93J00-Y5S	BRACKET, LOWER MOUNT (WHITE)	1	
20-1	54221-93J00-0EP	COVER, LOWER MOUNT (BLACK)	2	
20-2	54221-93J00-Y5S	COVER, LOWER MOUNT (WHITE)	2	
21	09116-10175	BOLT (10X50)	4	
22	54165-98J00	STOPPER, LOWER THRUST REVERSE	4	
23	09160-14066	WASHER (14X50X4)	2	
24	29404-93J10	CLAMP, SPEEDOMETER HOSE	1	
25	29103-93J00	BOLT, CLAMP (6X12)	1	
26-1	55321-93J01	ANODE, PROTECTION	1	W/TRANSOM(X)
26-2	55321-93J01	ANODE, PROTECTION	2	W/TRANSOM(XX)
27-1	09116-06236	BOLT (6X16)	1	W/TRANSOM(X)
27-2	09116-06236	BOLT (6X16)	2	W/TRANSOM(XX)

FIG.405N

FIG.405N (3-E-10) DRIVE SHAFT HOUSING TRANSOM(L) (DF200T E01)

REF NO.	PART NO.	DESCRIPTION	Q'TY	REMARKS
1-1	52111-93J20-0EP	HOUSING, DRIVE SHAFT (BLACK)	1	
1-2	52111-93J20-Y5S	HOUSING, DRIVE SHAFT (WHITE)	1	
2	09116-10176	BOLT (10X44)	6	
3	09202-08006	PIN (8X12)	2	
4	29141-93J20	NUT, DRIVE SHAFT HSG STUD	2	
5	09108-10150	STUD BOLT	2	
6	09160-10141	WASHER (10.5X19X2)	2	
7	09125-06063	SCREW (6X10)	1	
8	54151-93J00	MOUNT, LOWER THRUST	1	
9	54160-93J01	MOUNT, LOWER	2	
10	09100-14004	BOLT (14X220)	2	
11	09160-16050	WASHER (16X32X3)	2	
12	09159-14026	NUT	2	
13	09160-16050	WASHER (16X32X3)	2	
14-1	54211-93J00-0EP	BRACKET, LOWER MOUNT (BLACK)	1	
14-2	54211-93J00-Y5S	BRACKET, LOWER MOUNT (WHITE)	1	
15-1	54221-93J00-0EP	COVER, LOWER MOUNT (BLACK)	2	
15-2	54221-93J00-Y5S	COVER, LOWER MOUNT (WHITE)	2	
16	09116-10175	BOLT (10X50)	4	
17	54165-98J00	STOPPER, LOWER THRUST REVERSE	4	
18	09160-14066	WASHER (14X50X4)	2	
19	36894-87D00	LEAD, MT BRKT TO HSG	1	
20	09125-06063	SCREW (6X10)	1	

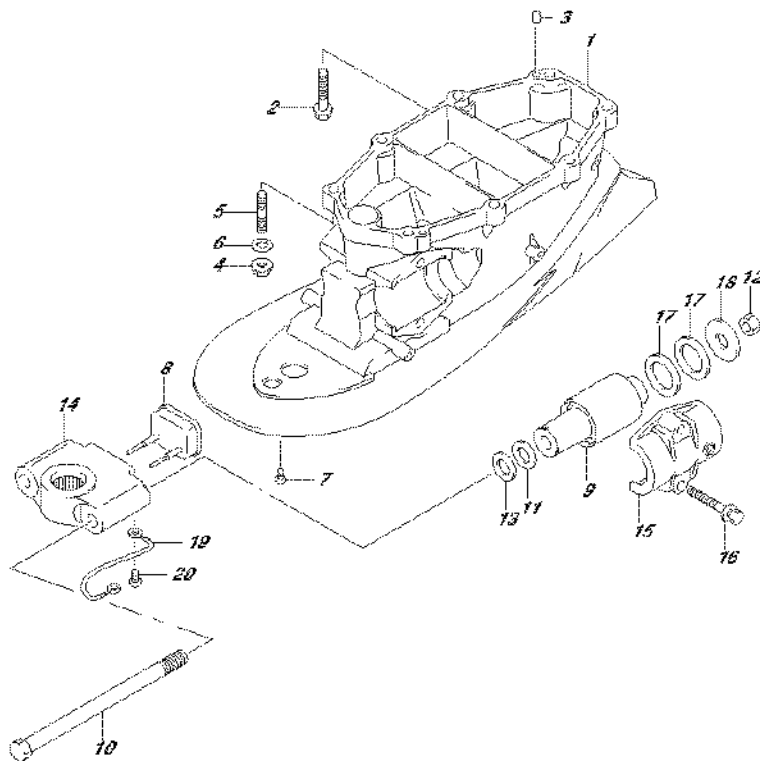


FIG.405P

FIG.405P (3-E-11) DRIVE SHAFT HOUSING TRANSOM(L) (DF200T E40)

REF NO.	PART NO.	DESCRIPTION	Q'TY	REMARKS
1-1	52111-93J20-0EP	HOUSING, DRIVE SHAFT (BLACK)	1	
1-2	52111-93J20-Y5S	HOUSING, DRIVE SHAFT (WHITE)	1	
2	09116-10176	BOLT (10X44)	6	
3	09202-08006	PIN (8X12)	2	
4	29141-93J20	NUT, DRIVE SHAFT HSG STUD	2	
5	09108-10150	STUD BOLT	2	
6	09160-10141	WASHER (10.5X19X2)	2	
7	09125-06063	SCREW (6X10)	1	
8	54151-93J00	MOUNT, LOWER THRUST	1	
9	54160-93J01	MOUNT, LOWER	2	
10	09100-14004	BOLT (14X220)	2	
11	09160-16050	WASHER (16X32X3)	2	
12	09159-14026	NUT	2	
13	09160-16050	WASHER (16X32X3)	2	
14-1	54211-93J00-0EP	BRACKET, LOWER MOUNT (BLACK)	1	
14-2	54211-93J00-Y5S	BRACKET, LOWER MOUNT (WHITE)	1	
15-1	54221-93J00-0EP	COVER, LOWER MOUNT (BLACK)	2	
15-2	54221-93J00-Y5S	COVER, LOWER MOUNT (WHITE)	2	
16	09116-10175	BOLT (10X50)	4	
17	54165-98J00	STOPPER, LOWER THRUST REVERSE	4	
18	09160-14066	WASHER (14X50X4)	2	
19	36894-87D00	LEAD, MT BRKT TO HSG	1	
20	09125-06063	SCREW (6X10)	1	

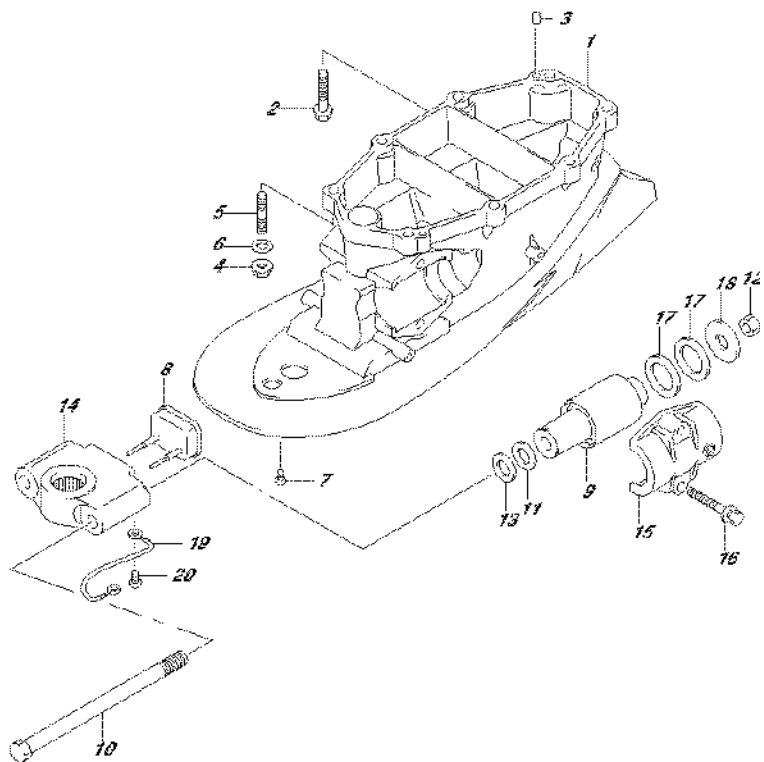
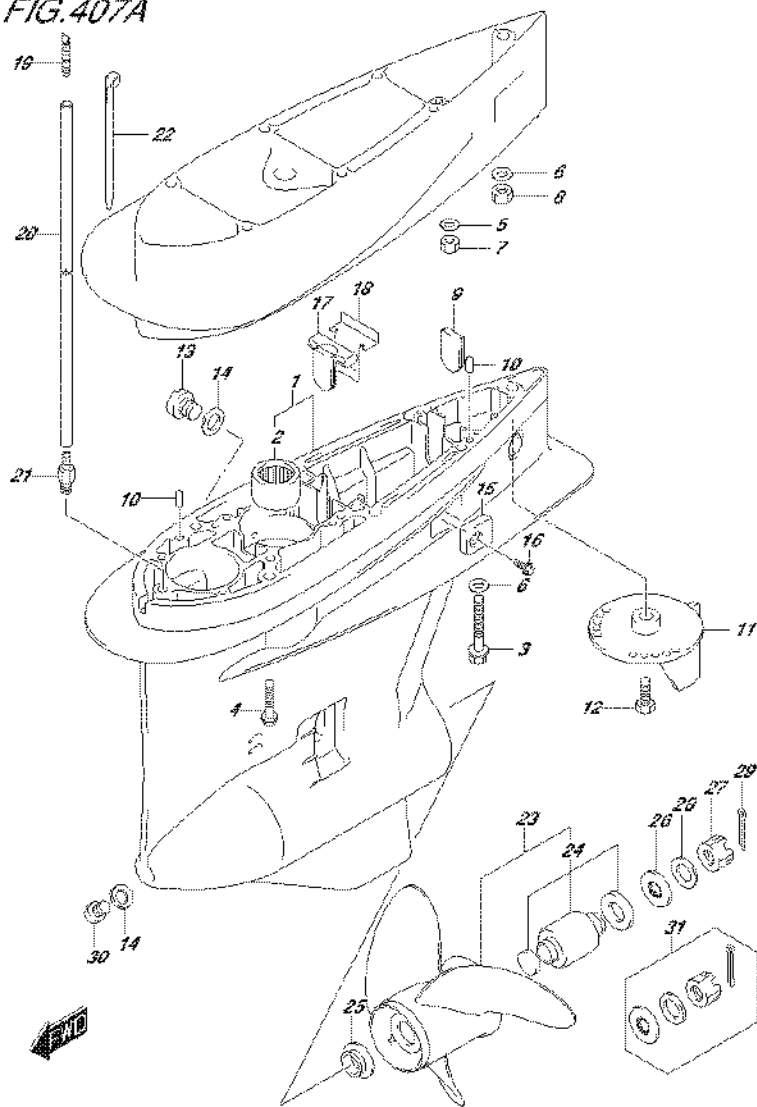


FIG.407A



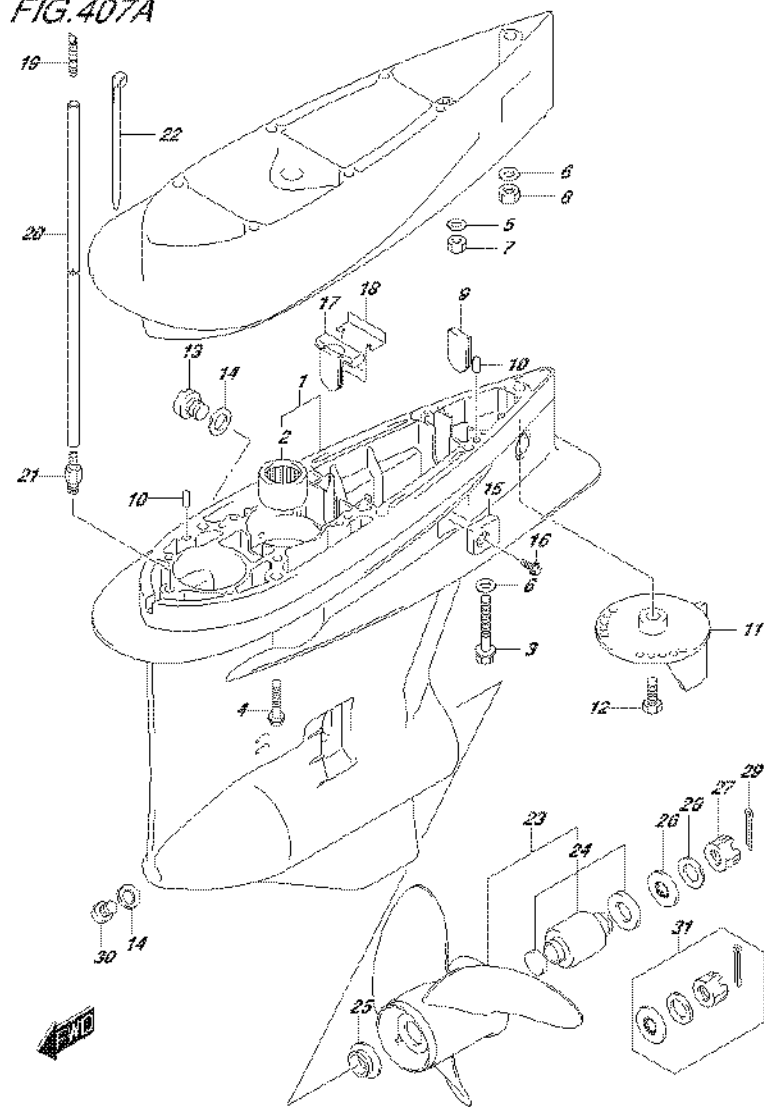
DF250_E01_016_407A
GEAR CASE

FIG.407A (3-E-12) GEAR CASE (DF200T E01)

REF NO.	PART NO.	DESCRIPTION	Q'TY	REMARKS
1-1	55110-93J20-0EP	CASE, GEAR (BLACK)	1	
1-2	55110-93J20-Y5S	CASE, GEAR (WHITE)	1	
2	09263-32017	.BEARING (32X48X30)	1	
3	09100-12052	BOLT (12X70)	1	W/TRANSOM(L,X)
4	09116-10150	BOLT (10X55)	6	W/TRANSOM(L,X)
5	09160-10141	WASHER (10.5X19X2)	6	W/TRANSOM(XX)
6	09160-12066	WASHER (12.5X22X2.5)	1	
7	29141-93J20	NUT, EXTENSION BOLT NO.1	6	W/TRANSOM(XX)
8	09159-12014	NUT	1	W/TRANSOM(XX)
9	17566-87D11	GROMMET, GEAR CASE	1	
10	09202-08006	PIN (8X12)	2	
11-1	55125-98J00-0EP	TAB, TRIM (BLACK)	1	
11-2	55125-98J00-Y5S	TAB, TRIM (WHITE)	1	
12	09116-08137	BOLT (8X22)	1	
13	55128-93J10	PLUG, DRAIN	2	
14	09168-10034	GASKET (9.5X16.5X2)	3	
15	55321-93J01	ANODE, PROTECTION	2	
16	09116-06236	BOLT (6X16)	2	
17	55332-87D11	RUBBER, EXHAUST SEAL	1	
18	55333-87D10	PLATE, EXHAUST SEAL	1	
19	55127-87D00	UNION, SPEEDOMETER HOSE	1	
20	09355-40805-00B	HOSE (4X8X2000)	1	L:2000->1700
21	09362-09008	UNION	1	
22	09407-10404	CLAMP (L:100)	2	
23-1	58200-93L00	PROPELLER (3X16X17)	1	
23-2	58200-93L10	PROPELLER (3X16X18.5)	1	
23-3	58200-93L20	PROPELLER (3X16X20)	1	
23-4	58200-93L30	PROPELLER (3X16X21.5)	1	
23-5	58200-93L40	PROPELLER (3X16X23)	1	
23-6	58200-93L50	PROPELLER (3X16X24.5)	1	
23-7	58200-93L60	PROPELLER (3X16X26)	1	OPT
23-8	58200-93L70	PROPELLER (3X16X27.5)	1	OPT
23-9	58200-93L80	PROPELLER (3X16X15)	1	OPT
23-10	58200-96J00	PROPELLER (3X15.5X17)	1	OPT

DF250_E01_016

FIG.407A

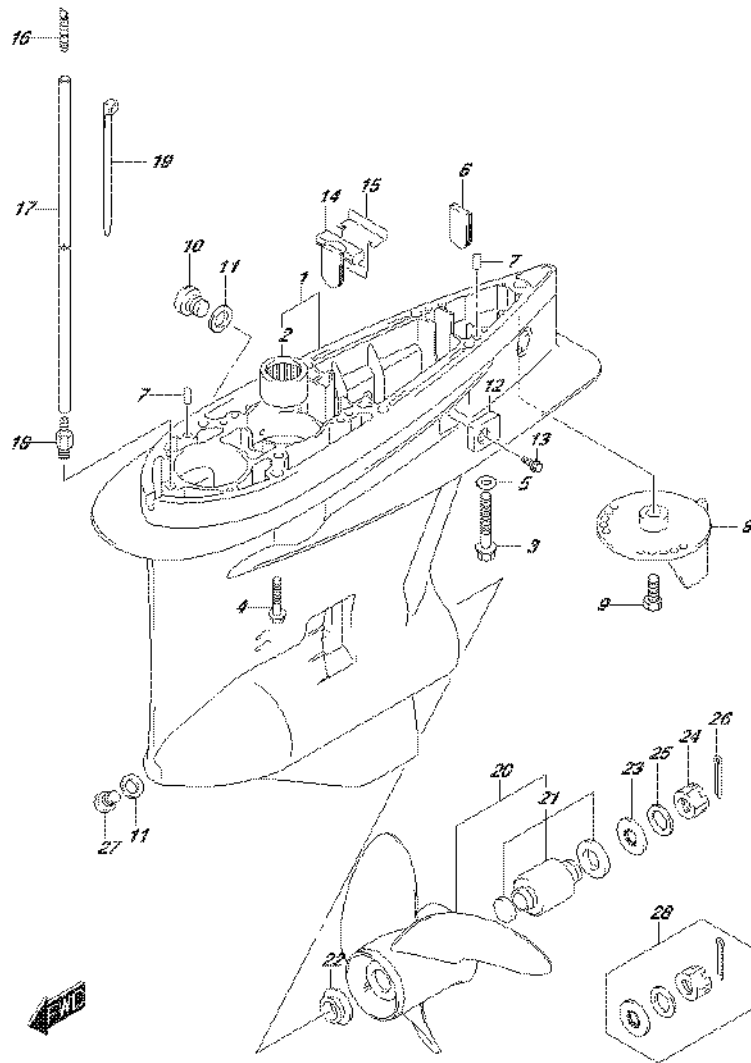


DF200_E01_016_407A
GEAR CASE

FIG.407A (3-E-13) GEAR CASE (DF200T E01)

REF NO.	PART NO.	DESCRIPTION	Q'TY	REMARKS
23-11	58200-96J10	PROPELLER (3X15.25X19)	1	OPT
23-12	58200-96J20	PROPELLER (3X14.75X21)	1	OPT
23-13	58200-96J30	PROPELLER (3X14.75X23)	1	OPT
23-14	58200-96J40	PROPELLER (3X14.5X25)	1	OPT
23-15	58200-96J50	PROPELLER (3X14.5X27)	1	OPT
24	58105-93J10	.BUSH SET, PROPELLER	1	
25	57632-93L01	STOPPER, PROPELLER BUSH	1	
26	57633-87D30	SPACER, PROPELLER NUT	1	
27	09141-18005	NUT	1	
28	09160-18028	WASHER (18.5X31X1)	1	
29	09204-03003	COTTER PIN (D:3.6.L:25)	1	
30	55128-93L00	PLUG, DRAIN	1	
31	57630-92E00	KIT, PROPELLER NUT	1	OPT
32	25700-93J00	KIT, GEAR CASE SEALING	1	OPT NOT ILLUSTRATED

FIG.407B



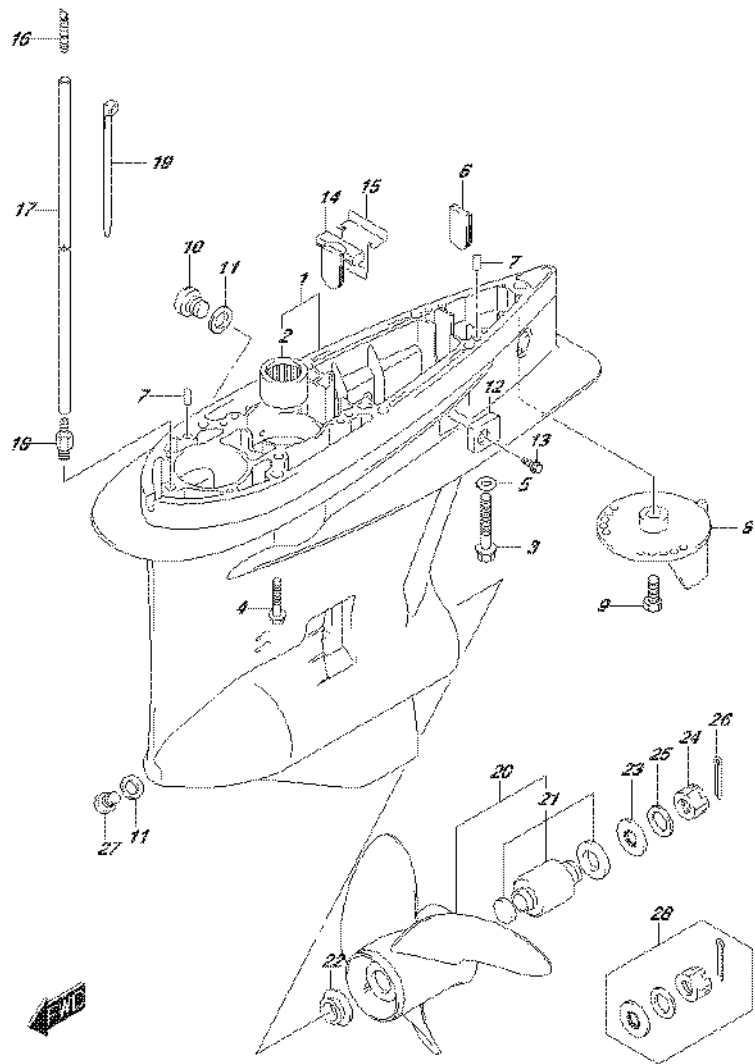
DF250_E01_016_407B
GEAR CASE

FIG.407B (3-E-14) GEAR CASE (DF200T E40)

REF NO.	PART NO.	DESCRIPTION	Q'TY	REMARKS
1-1	55110-93J20-0EP	CASE, GEAR (BLACK)	1	
1-2	55110-93J20-Y5S	CASE, GEAR (WHITE)	1	
2	09263-32017	.BEARING (32X48X30)	1	
3	09100-12052	BOLT (12X70)	1	
4	09116-10150	BOLT (10X55)	6	
5	09160-12066	WASHER (12.5X22X2.5)	1	
6	17566-87D11	GROMMET, GEAR CASE	1	
7	09202-08006	PIN (8X12)	2	
8-1	55125-98J00-0EP	TAB, TRIM (BLACK)	1	
8-2	55125-98J00-Y5S	TAB, TRIM (WHITE)	1	
9	09116-08137	BOLT (8X22)	1	
10	55128-93J10	PLUG, DRAIN	2	
11	09168-10034	GASKET (9.5X16.5X2)	3	
12	55321-93J01	ANODE, PROTECTION	2	
13	09116-06236	BOLT (6X16)	2	
14	55332-87D11	RUBBER, EXHAUST SEAL	1	
15	55333-87D10	PLATE, EXHAUST SEAL	1	
16	55127-87D00	UNION, SPEEDOMETER HOSE	1	
17	09355-40805-00B	HOSE (4X8X2000)	1	L:2000->1700
18	09362-09008	UNION	1	
19	09407-10404	CLAMP (L:100)	2	
20-1	58200-93L00	PROPELLER (3X16X17)	1	
20-2	58200-93L10	PROPELLER (3X16X18.5)	1	
20-3	58200-93L20	PROPELLER (3X16X20)	1	
20-4	58200-93L30	PROPELLER (3X16X21.5)	1	
20-5	58200-93L40	PROPELLER (3X16X23)	1	
20-6	58200-93L50	PROPELLER (3X16X24.5)	1	
20-7	58200-93L60	PROPELLER (3X16X26)	1	OPT
20-8	58200-93L70	PROPELLER (3X16X27.5)	1	OPT
20-9	58200-93L80	PROPELLER (3X16X15)	1	OPT
20-10	58200-96J00	PROPELLER (3X15.5X17)	1	OPT
20-11	58200-96J10	PROPELLER (3X15.25X19)	1	OPT
20-12	58200-96J20	PROPELLER (3X14.75X21)	1	OPT
20-13	58200-96J30	PROPELLER (3X14.75X23)	1	OPT

DF250_E01_016

FIG.407B



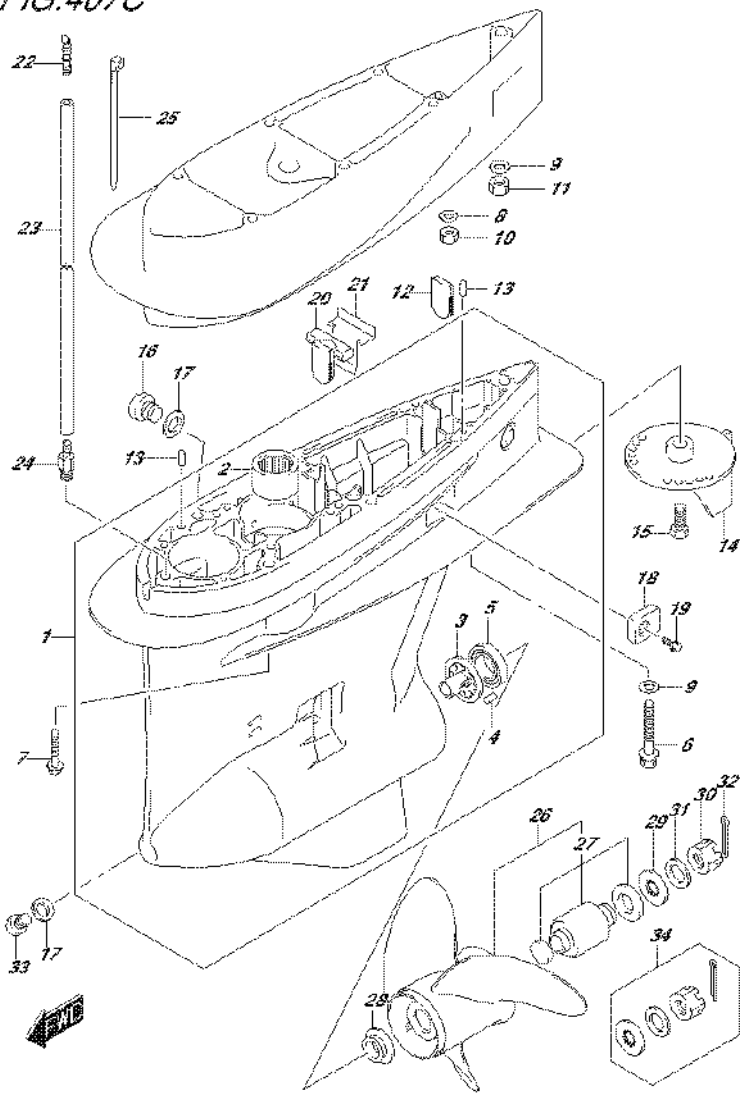
DF250_E01_016_407B
GEAR CASE

FIG.407B (3-E-15) GEAR CASE (DF200T E40)

REF NO.	PART NO.	DESCRIPTION	Q'TY	REMARKS
20-14	58200-96J40	PROPELLER (3X14.5X25)	1	OPT
20-15	58200-96J50	PROPELLER (3X14.5X27)	1	OPT
21	58105-93J10	.BUSH SET, PROPELLER	1	
22	57632-93L01	STOPPER, PROPELLER BUSH	1	
23	57633-87D30	SPACER, PROPELLER NUT	1	
24	09141-18005	NUT	1	
25	09160-18028	WASHER (18.5X31X1)	1	
26	09204-03003	COTTER PIN (D:3.6,L:25)	1	
27	55128-93L00	PLUG, DRAIN	1	
28	57630-92E00	KIT, PROPELLER NUT	1	OPT
29	25700-93J00	KIT, GEAR CASE SEALING	1	OPT NOT ILLUSTRATED

DF250_E01_016

FIG.407C



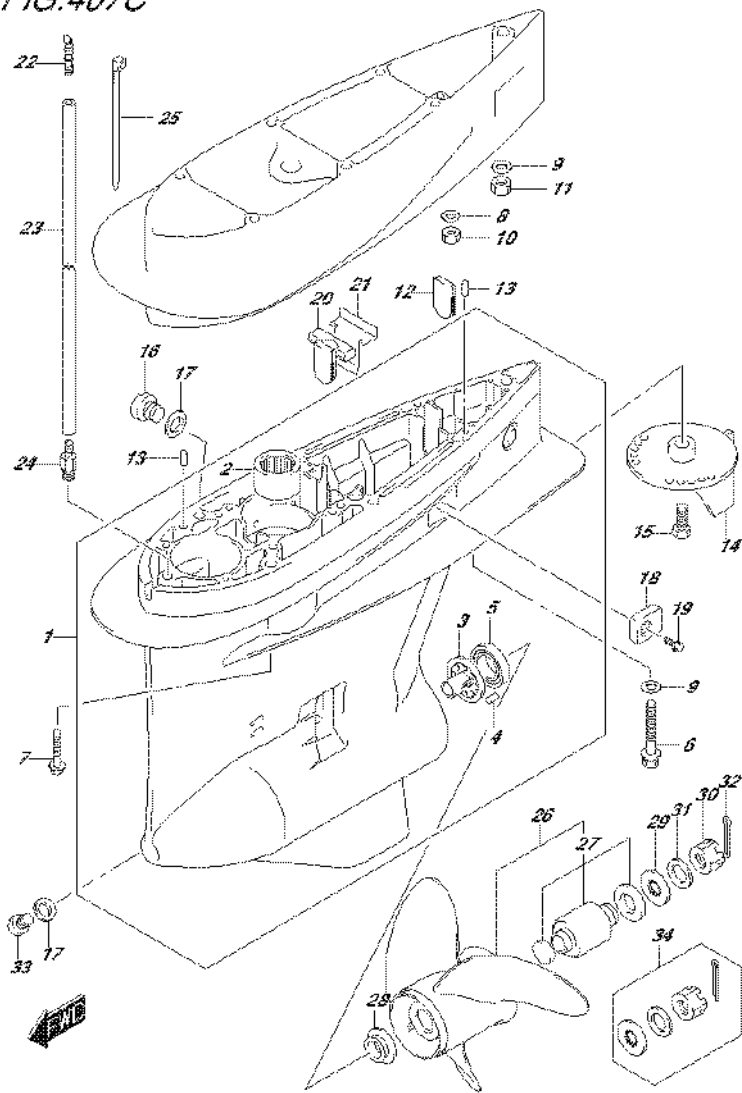
DF250_E01_016_407C
GEAR CASE

FIG.407C (3-F-2) GEAR CASE (DF200Z E01)

REF NO.	PART NO.	DESCRIPTION	Q'TY	REMARKS
1-1	55110-93J30-0EP	CASE, GEAR (BLACK)	1	
1-2	55110-93J30-Y5S	CASE, GEAR (WHITE)	1	
2	09263-32017	.BEARING (32X48X30)	1	
3	56145-93J00	.HOUSING, SHIFT CAM	1	
4	04221-08129	.PIN	1	
5	09265-50002	.BEARING (50X90X21.75)	1	
6	09100-12052	BOLT (12X70)	1	W/TRANSOM(X)
7	09116-10150	BOLT (10X55)	6	W/TRANSOM(X)
8	09160-10141	WASHER (10.5X19X2)	6	W/TRANSOM(XX)
9	09160-12066	WASHER (12.5X22X2.5)	1	
10	29141-93J20	NUT, EXTENSION BOLT NO.1	6	W/TRANSOM(XX)
11	09159-12014	NUT	1	W/TRANSOM(XX)
12	17566-87D11	GROMMET, GEAR CASE	1	
13	09202-08006	PIN (8X12)	2	
14-1	55125-98J00-0EP	TAB, TRIM (BLACK)	1	
14-2	55125-98J00-Y5S	TAB, TRIM (WHITE)	1	
15	09116-08137	BOLT (8X22)	1	
16	55128-93J10	PLUG, DRAIN	2	
17	09168-10034	GASKET (9.5X16.5X2)	3	
18	55321-93J01	ANODE, PROTECTION	2	
19	09116-06236	BOLT (6X16)	2	
20	55332-87D11	RUBBER, EXHAUST SEAL	1	
21	55333-87D10	PLATE, EXHAUST SEAL	1	
22	55127-87D00	UNION, SPEEDOMETER HOSE	1	
23	09355-40805-00B	HOSE (4X8X2000)	1	L:2000->1700
24	09362-09008	UNION	1	
25	09407-10404	CLAMP (L:100)	2	
26-1	58200-93LA0	PROPELLER (3X16X18.5)	1	
26-2	58200-93LB0	PROPELLER (3X16X20)	1	
26-3	58200-93LC0	PROPELLER (3X16X21.5)	1	
26-4	58200-93LD0	PROPELLER (3X16X23)	1	
26-5	58200-93LE0	PROPELLER (3X16X17)	1	
26-6	58200-93LF0	PROPELLER (3X16X24.5)	1	OPT
26-7	58200-93LG0	PROPELLER (3X16X26)	1	OPT

DF250_E01_016

FIG.407C



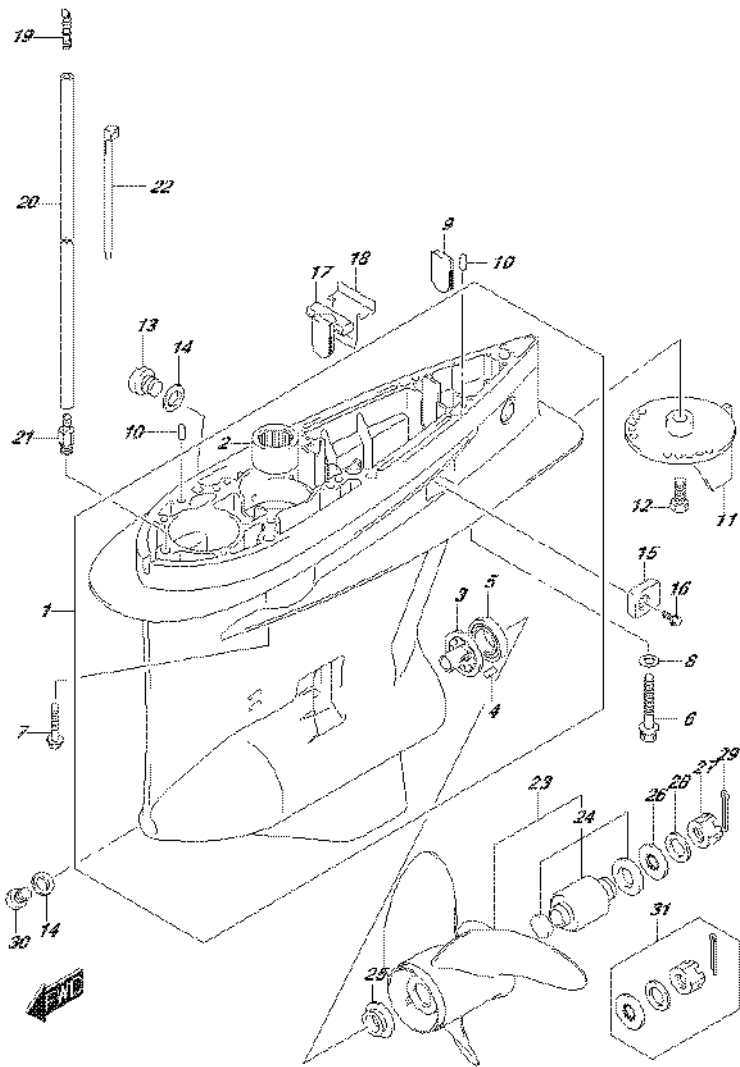
DF200Z_E01_016_407C
GEAR CASE

FIG.407C (3-F-3) GEAR CASE (DF200Z E01)

REF NO.	PART NO.	DESCRIPTION	Q'TY	REMARKS
26-8	58200-96JA0	PROPELLER (3X15.5X17)	1	OPT
26-9	58200-96JB0	PROPELLER (3X15.25X19)	1	OPT
26-10	58200-96JC0	PROPELLER (3X14.75X21)	1	OPT
26-11	58200-96JD0	PROPELLER (3X14.75X23)	1	OPT
26-12	58200-96JE0	PROPELLER (3X14.5X25)	1	OPT
26-13	58200-96JF0	PROPELLER (3X14.5X27)	1	OPT
27	58105-93J10	.BUSH SET, PROPELLER	1	
28	57632-93L01	STOPPER, PROPELLER BUSH	1	
29	57633-87D30	SPACER, PROPELLER NUT	1	
30	09141-18005	NUT	1	
31	09160-18028	WASHER (18.5X31X1)	1	
32	09204-03003	COTTER PIN (D:3.6.L:25)	1	
33	55128-93L00	PLUG, DRAIN	1	
34	57630-92E00	KIT, PROPELLER NUT	1	OPT
35	25700-93J00	KIT, GEAR CASE SEALING	1	OPT

NOT ILLUSTRATED

FIG.407D



DF250_E01_016_407D
GEAR CASE

FIG.407D (3-F-4) GEAR CASE (DF200Z E40)

REF NO.	PART NO.	DESCRIPTION	Q'TY	REMARKS
1-1	55110-93J30-0EP	CASE, GEAR (BLACK)	1	
1-2	55110-93J30-Y5S	CASE, GEAR (WHITE)	1	
2	09263-32017	.BEARING (32X48X30)	1	
3	56145-93J00	.HOUSING, SHIFT CAM	1	
4	04221-08129	.PIN	1	
5	09265-50002	.BEARING (50X90X21.75)	1	
6	09100-12052	BOLT (12X70)	1	
7	09116-10150	BOLT (10X55)	6	
8	09160-12066	WASHER (12.5X22X2.5)	1	
9	17566-87D11	GROMMET, GEAR CASE	1	
10	09202-08006	PIN (8X12)	2	
11-1	55125-98J00-0EP	TAB, TRIM (BLACK)	1	
11-2	55125-98J00-Y5S	TAB, TRIM (WHITE)	1	
12	09116-08137	BOLT (8X22)	1	
13	55128-93J10	PLUG, DRAIN	2	
14	09168-10034	GASKET (9.5X16.5X2)	3	
15	55321-93J01	ANODE, PROTECTION	2	
16	09116-06236	BOLT (6X16)	2	
17	55332-87D11	RUBBER, EXHAUST SEAL	1	
18	55333-87D10	PLATE, EXHAUST SEAL	1	
19	55127-87D00	UNION, SPEEDOMETER HOSE	1	
20	09355-40805-00B	HOSE (4X8X2000)	1	L:2000->1700
21	09362-09008	UNION	1	
22	09407-10404	CLAMP (L:100)	2	
23-1	58200-93LA0	PROPELLER (3X16X18.5)	1	
23-2	58200-93LB0	PROPELLER (3X16X20)	1	
23-3	58200-93LC0	PROPELLER (3X16X21.5)	1	
23-4	58200-93LD0	PROPELLER (3X16X23)	1	
23-5	58200-93LE0	PROPELLER (3X16X17)	1	
23-6	58200-93LF0	PROPELLER (3X16X24.5)	1	OPT
23-7	58200-93LG0	PROPELLER (3X16X26)	1	OPT
23-8	58200-96JA0	PROPELLER (3X15.5X17)	1	OPT
23-9	58200-96JB0	PROPELLER (3X15.25X19)	1	OPT
23-10	58200-96JC0	PROPELLER (3X14.75X21)	1	OPT

DF250_E01_016

FIG.407D

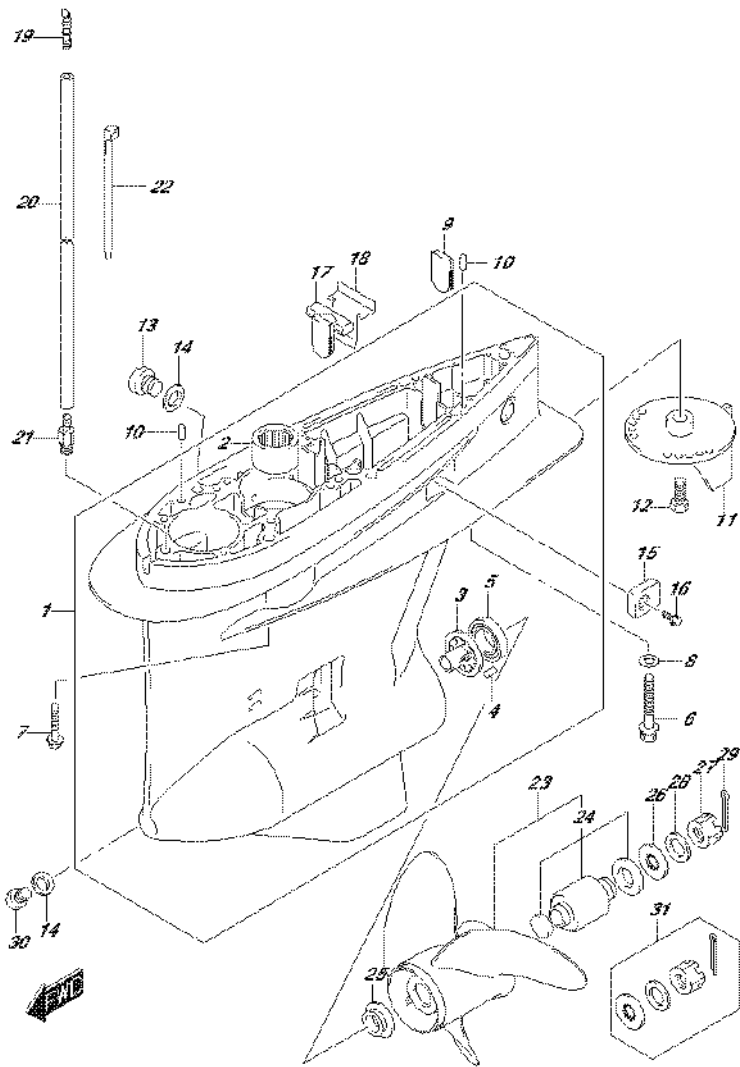
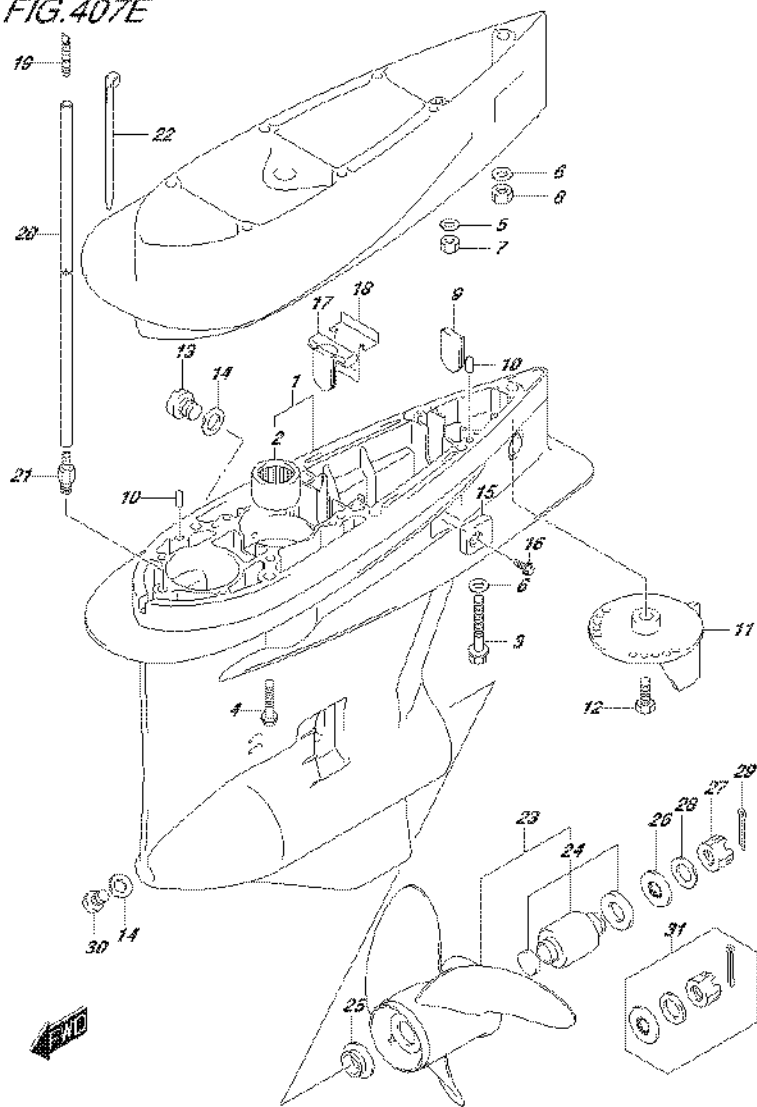


FIG.407D (3-F-5) GEAR CASE (DF200Z E40)

REF NO.	PART NO.	DESCRIPTION	Q'TY	REMARKS
23-11	58200-96JD0	PROPELLER (3X14.75X23)	1	OPT
23-12	58200-96JE0	PROPELLER (3X14.5X25)	1	OPT
23-13	58200-96JF0	PROPELLER (3X14.5X27)	1	OPT
24	58105-93J10	.BUSH SET, PROPELLER	1	
25	57632-93L01	STOPPER, PROPELLER BUSH	1	
26	57633-87D30	SPACER, PROPELLER NUT	1	
27	09141-18005	NUT	1	
28	09160-18028	WASHER (18.5X31X1)	1	
29	09204-03003	COTTER PIN (D:3.6,L:25)	1	
30	55128-93L00	PLUG, DRAIN	1	
31	57630-92E00	KIT, PROPELLER NUT	1	OPT
32	25700-93J00	KIT, GEAR CASE SEALING	1	OPT

NOT ILLUSTRATED

FIG.407E



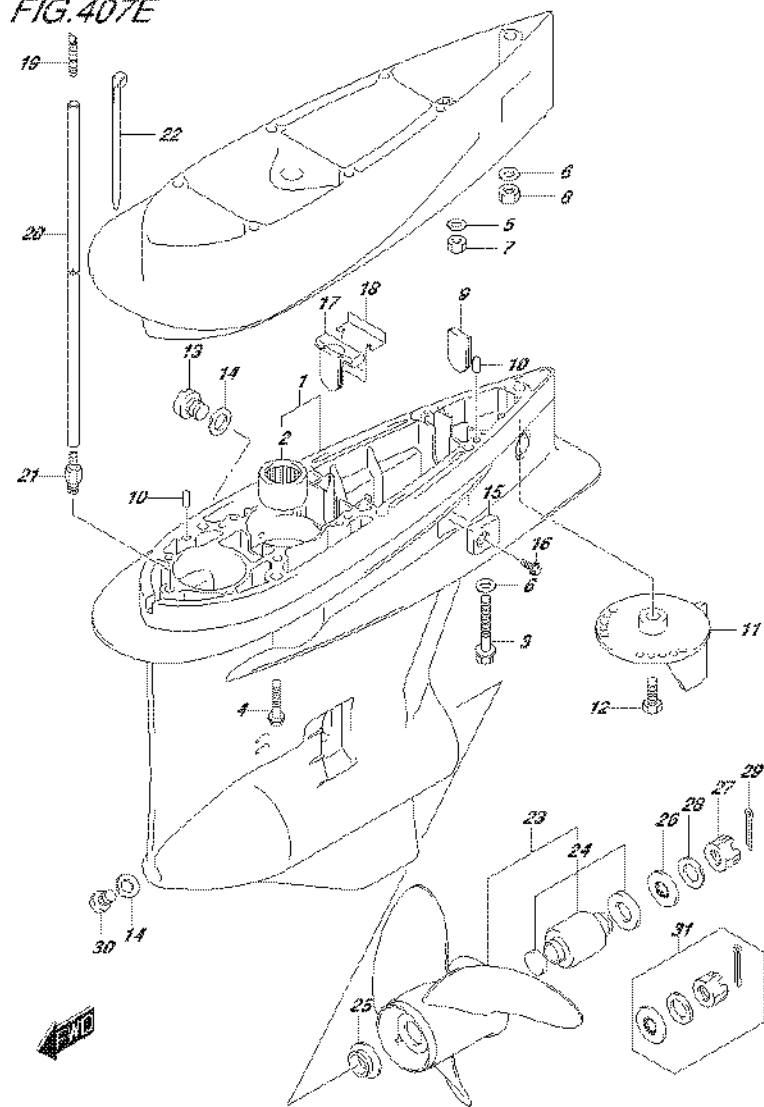
DF250_E01_016_407E
GEAR CASE

FIG.407E (3-F-6) GEAR CASE (DF225T E01)

REF NO.	PART NO.	DESCRIPTION	Q'TY	REMARKS
1-1	55110-93J20-0EP	CASE, GEAR (BLACK)	1	
1-2	55110-93J20-Y5S	CASE, GEAR (WHITE)	1	
2	09263-32017	.BEARING (32X48X30)	1	
3	09100-12052	BOLT (12X70)	1	W/TRANSOM(X)
4	09116-10150	BOLT (10X55)	6	W/TRANSOM(X)
5	09160-10141	WASHER (10.5X19X2)	6	W/TRANSOM(XX)
6	09160-12066	WASHER (12.5X22X2.5)	1	
7	29141-93J20	NUT, EXTENSION BOLT NO.1	6	W/TRANSOM(XX)
8	09159-12014	NUT	1	W/TRANSOM(XX)
9	17566-87D11	GROMMET, GEAR CASE	1	
10	09202-08006	PIN (8X12)	2	
11-1	55125-98J00-0EP	TAB, TRIM (BLACK)	1	
11-2	55125-98J00-Y5S	TAB, TRIM (WHITE)	1	
12	09116-08137	BOLT (8X22)	1	
13	55128-93J10	PLUG, DRAIN	2	
14	09168-10034	GASKET (9.5X16.5X2)	3	
15	55321-93J01	ANODE, PROTECTION	2	
16	09116-06236	BOLT (6X16)	2	
17	55332-87D11	RUBBER, EXHAUST SEAL	1	
18	55333-87D10	PLATE, EXHAUST SEAL	1	
19	55127-87D00	UNION, SPEEDOMETER HOSE	1	
20	09355-40805-00B	HOSE (4X8X2000)	1	L:2000->1700
21	09362-09008	UNION	1	
22	09407-10404	CLAMP (L:100)	2	
23-1	58200-93L00	PROPELLER (3X16X17)	1	
23-2	58200-93L10	PROPELLER (3X16X18.5)	1	
23-3	58200-93L20	PROPELLER (3X16X20)	1	
23-4	58200-93L30	PROPELLER (3X16X21.5)	1	
23-5	58200-93L40	PROPELLER (3X16X23)	1	
23-6	58200-93L50	PROPELLER (3X16X24.5)	1	
23-7	58200-93L60	PROPELLER (3X16X26)	1	OPT
23-8	58200-93L70	PROPELLER (3X16X27.5)	1	OPT
23-9	58200-93L80	PROPELLER (3X16X15)	1	OPT
23-10	58200-96J00	PROPELLER (3X15.5X17)	1	OPT

DF250_E01_016

FIG.407E



DF225T_E01_016_407E
GEAR CASE

FIG.407E (3-F-7) GEAR CASE (DF225T E01)

REF NO.	PART NO.	DESCRIPTION	Q'TY	REMARKS
23-11	58200-96J10	PROPELLER (3X15.25X19)	1	OPT
23-12	58200-96J20	PROPELLER (3X14.75X21)	1	OPT
23-13	58200-96J30	PROPELLER (3X14.75X23)	1	OPT
23-14	58200-96J40	PROPELLER (3X14.5X25)	1	OPT
23-15	58200-96J50	PROPELLER (3X14.5X27)	1	OPT
24	58105-93J10	.BUSH SET, PROPELLER	1	
25	57632-93L01	STOPPER, PROPELLER BUSH	1	
26	57633-87D30	SPACER, PROPELLER NUT	1	
27	09141-18005	NUT	1	
28	09160-18028	WASHER (18.5X31X1)	1	
29	09204-03003	COTTER PIN (D:3.6.L:25)	1	
30	55128-93L00	PLUG, DRAIN	1	
31	57630-92E00	KIT, PROPELLER NUT	1	OPT
32	25700-93J00	KIT, GEAR CASE SEALING	1	OPT NOT ILLUSTRATED

DF250_E01_016

FIG.407F

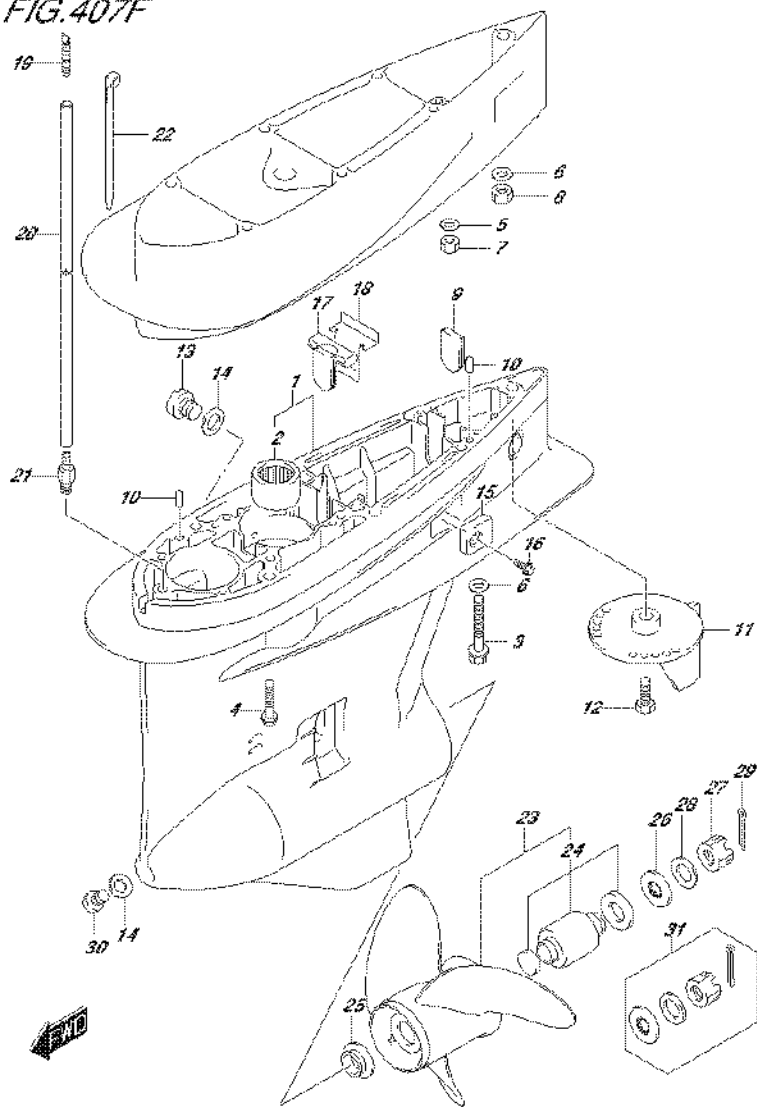
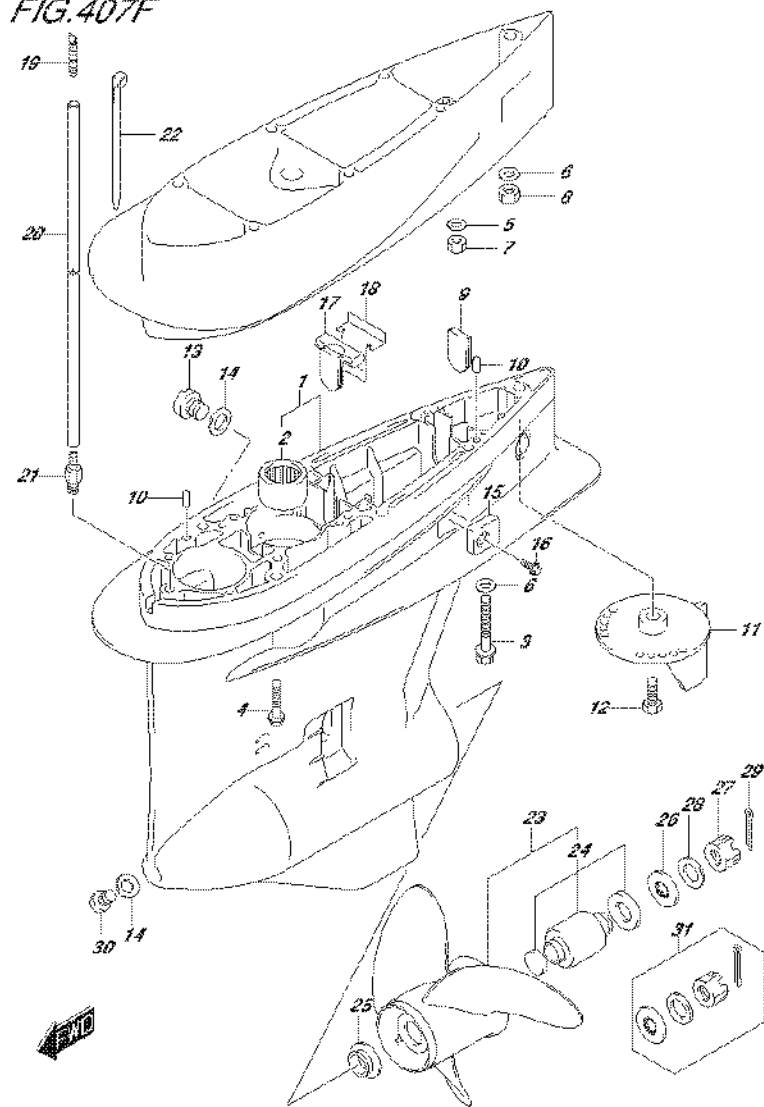


FIG.407F (3-F-8) GEAR CASE (DF225T E40)

REF NO.	PART NO.	DESCRIPTION	Q'TY	REMARKS
1-1	55110-93J20-0EP	CASE, GEAR (BLACK)	1	
1-2	55110-93J20-Y5S	CASE, GEAR (WHITE)	1	
2	09263-32017	.BEARING (32X48X30)	1	
3	09100-12052	BOLT (12X70)	1	W/TRANSOM(X)
4	09116-10150	BOLT (10X55)	6	W/TRANSOM(X)
5	09160-10141	WASHER (10.5X19X2)	6	W/TRANSOM(XX)
6	09160-12066	WASHER (12.5X22X2.5)	1	
7	29141-93J20	NUT, EXTENSION BOLT NO.1	6	W/TRANSOM(XX)
8	09159-12014	NUT	1	W/TRANSOM(XX)
9	17566-87D11	GROMMET, GEAR CASE	1	
10	09202-08006	PIN (8X12)	2	
11-1	55125-98J00-0EP	TAB, TRIM (BLACK)	1	
11-2	55125-98J00-Y5S	TAB, TRIM (WHITE)	1	
12	09116-08137	BOLT (8X22)	1	
13	55128-93J10	PLUG, DRAIN	2	
14	09168-10034	GASKET (9.5X16.5X2)	3	
15	55321-93J01	ANODE, PROTECTION	2	
16	09116-06236	BOLT (6X16)	2	
17	55332-87D11	RUBBER, EXHAUST SEAL	1	
18	55333-87D10	PLATE, EXHAUST SEAL	1	
19	55127-87D00	UNION, SPEEDOMETER HOSE	1	
20	09355-40805-00B	HOSE (4X8X2000)	1	L:2000->1700
21	09362-09008	UNION	1	
22	09407-10404	CLAMP (L:100)	2	
23-1	58200-93L00	PROPELLER (3X16X17)	1	
23-2	58200-93L10	PROPELLER (3X16X18.5)	1	
23-3	58200-93L20	PROPELLER (3X16X20)	1	
23-4	58200-93L30	PROPELLER (3X16X21.5)	1	
23-5	58200-93L40	PROPELLER (3X16X23)	1	
23-6	58200-93L50	PROPELLER (3X16X24.5)	1	
23-7	58200-93L60	PROPELLER (3X16X26)	1	OPT
23-8	58200-93L70	PROPELLER (3X16X27.5)	1	OPT
23-9	58200-93L80	PROPELLER (3X16X15)	1	OPT
23-10	58200-96J00	PROPELLER (3X15.5X17)	1	OPT

FIG.407F



DF250_E01_016_407F
GEAR CASE

FIG.407F (3-F-9) GEAR CASE (DF225T E40)

REF NO.	PART NO.	DESCRIPTION	Q'TY	REMARKS
23-11	58200-96J10	PROPELLER (3X15.25X19)	1	OPT
23-12	58200-96J20	PROPELLER (3X14.75X21)	1	OPT
23-13	58200-96J30	PROPELLER (3X14.75X23)	1	OPT
23-14	58200-96J40	PROPELLER (3X14.5X25)	1	OPT
23-15	58200-96J50	PROPELLER (3X14.5X27)	1	OPT
24	58105-93J10	.BUSH SET, PROPELLER	1	
25	57632-93L01	STOPPER, PROPELLER BUSH	1	
26	57633-87D30	SPACER, PROPELLER NUT	1	
27	09141-18005	NUT	1	
28	09160-18028	WASHER (18.5X31X1)	1	
29	09204-03003	COTTER PIN (D:3.6.L:25)	1	
30	55128-93L00	PLUG, DRAIN	1	
31	57630-92E00	KIT, PROPELLER NUT	1	OPT
32	25700-93J00	KIT, GEAR CASE SEALING	1	OPT NOT ILLUSTRATED

FIG.407G

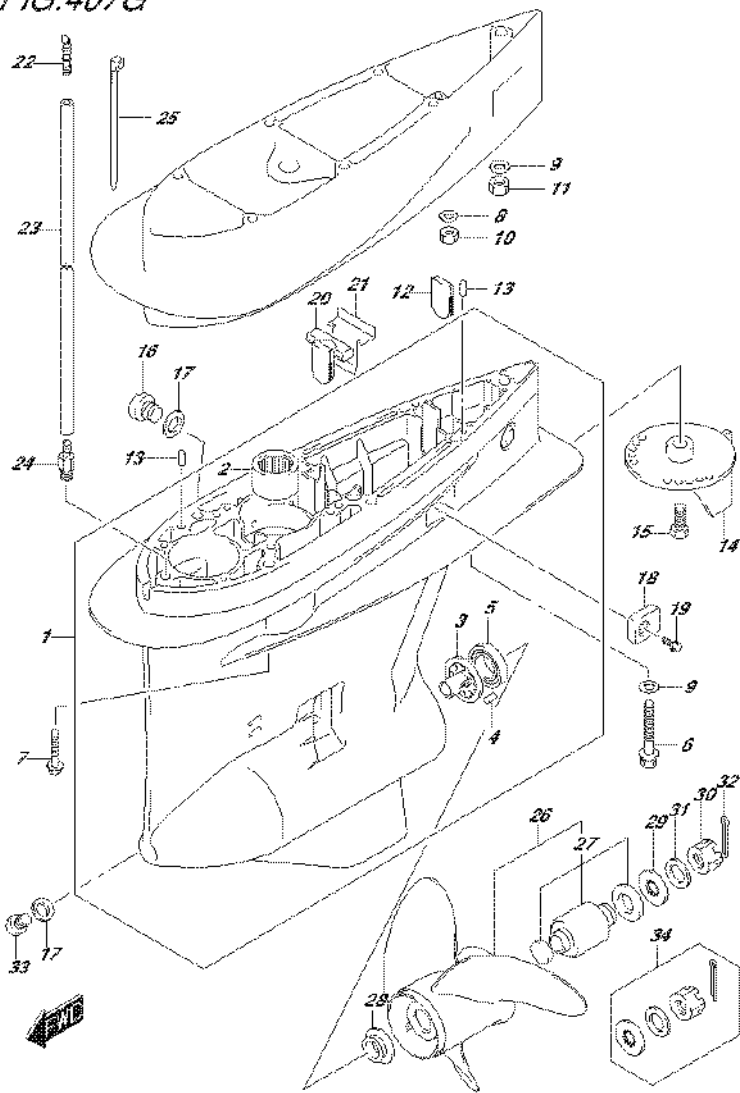


FIG.407G (3-F-10) GEAR CASE (DF225Z E01)

REF NO.	PART NO.	DESCRIPTION	Q'TY	REMARKS
1-1	55110-93J30-0EP	CASE, GEAR (BLACK)	1	
1-2	55110-93J30-Y5S	CASE, GEAR (WHITE)	1	
2	09263-32017	.BEARING (32X48X30)	1	
3	56145-93J00	.HOUSING, SHIFT CAM	1	
4	04221-08129	.PIN	1	
5	09265-50002	.BEARING (50X90X21.75)	1	
6	09100-12052	BOLT (12X70)	1	W/TRANSOM(X)
7	09116-10150	BOLT (10X55)	6	W/TRANSOM(X)
8	09160-10141	WASHER (10.5X19X2)	6	W/TRANSOM(XX)
9	09160-12066	WASHER (12.5X22X2.5)	1	
10	29141-93J20	NUT, EXTENSION BOLT NO.1	6	W/TRANSOM(XX)
11	09159-12014	NUT	1	W/TRANSOM(XX)
12	17566-87D11	GROMMET, GEAR CASE	1	
13	09202-08006	PIN (8X12)	2	
14-1	55125-98J00-0EP	TAB, TRIM (BLACK)	1	
14-2	55125-98J00-Y5S	TAB, TRIM (WHITE)	1	
15	09116-08137	BOLT (8X22)	1	
16	55128-93J10	PLUG, DRAIN	2	
17	09168-10034	GASKET (9.5X16.5X2)	3	
18	55321-93J01	ANODE, PROTECTION	2	
19	09116-06236	BOLT (6X16)	2	
20	55332-87D11	RUBBER, EXHAUST SEAL	1	
21	55333-87D10	PLATE, EXHAUST SEAL	1	
22	55127-87D00	UNION, SPEEDOMETER HOSE	1	
23	09355-40805-00B	HOSE (4X8X2000)	1	L:2000->1700
24	09362-09008	UNION	1	
25	09407-10404	CLAMP (L:100)	2	
26-1	58200-93LA0	PROPELLER (3X16X18.5)	1	
26-2	58200-93LB0	PROPELLER (3X16X20)	1	
26-3	58200-93LC0	PROPELLER (3X16X21.5)	1	
26-4	58200-93LD0	PROPELLER (3X16X23)	1	
26-5	58200-93LE0	PROPELLER (3X16X17)	1	
26-6	58200-93LF0	PROPELLER (3X16X24.5)	1	OPT
26-7	58200-93LG0	PROPELLER (3X16X26)	1	OPT

FIG.407G

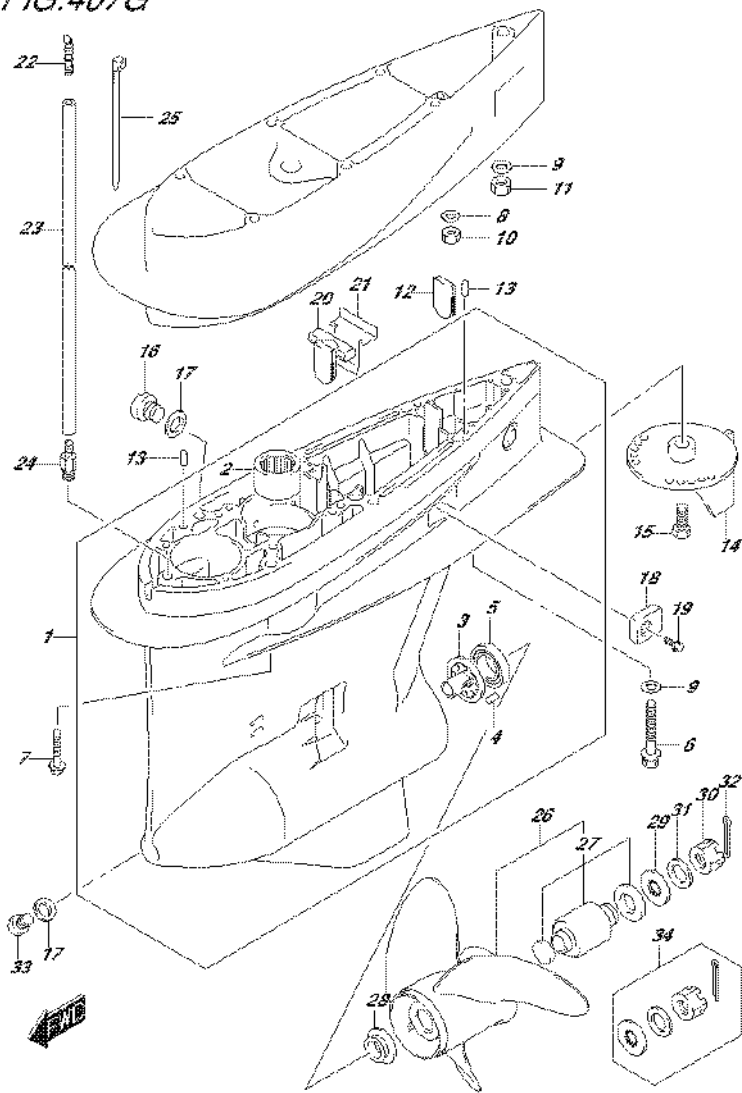
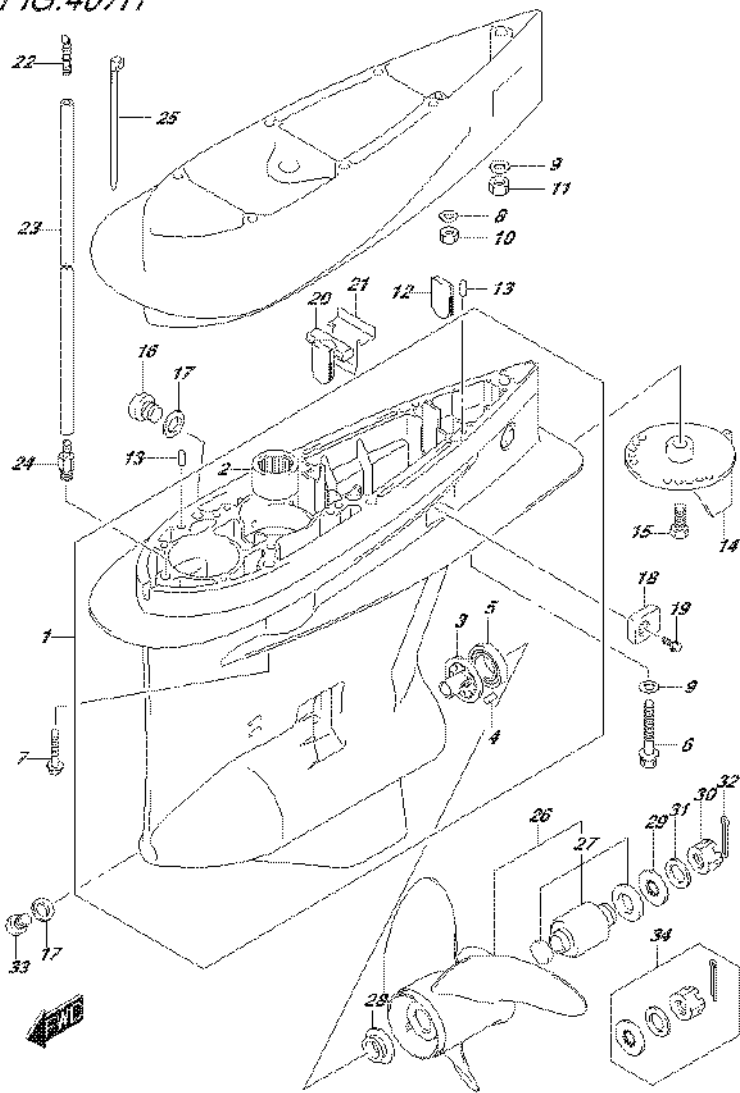


FIG.407G (3-F-11) GEAR CASE (DF225Z E01)

REF NO.	PART NO.	DESCRIPTION	Q'TY	REMARKS
26-8	58200-96JA0	PROPELLER (3X15.5X17)	1	OPT
26-9	58200-96JB0	PROPELLER (3X15.25X19)	1	OPT
26-10	58200-96JC0	PROPELLER (3X14.75X21)	1	OPT
26-11	58200-96JD0	PROPELLER (3X14.75X23)	1	OPT
26-12	58200-96JE0	PROPELLER (3X14.5X25)	1	OPT
26-13	58200-96JF0	PROPELLER (3X14.5X27)	1	OPT
27	58105-93J10	.BUSH SET, PROPELLER	1	
28	57632-93L01	STOPPER, PROPELLER BUSH	1	
29	57633-87D30	SPACER, PROPELLER NUT	1	
30	09141-18005	NUT	1	
31	09160-18028	WASHER (18.5X31X1)	1	
32	09204-03003	COTTER PIN (D:3.6.L:25)	1	
33	55128-93L00	PLUG, DRAIN	1	
34	57630-92E00	KIT, PROPELLER NUT	1	OPT
35	25700-93J00	KIT, GEAR CASE SEALING	1	OPT

NOT ILLUSTRATED

FIG.407H



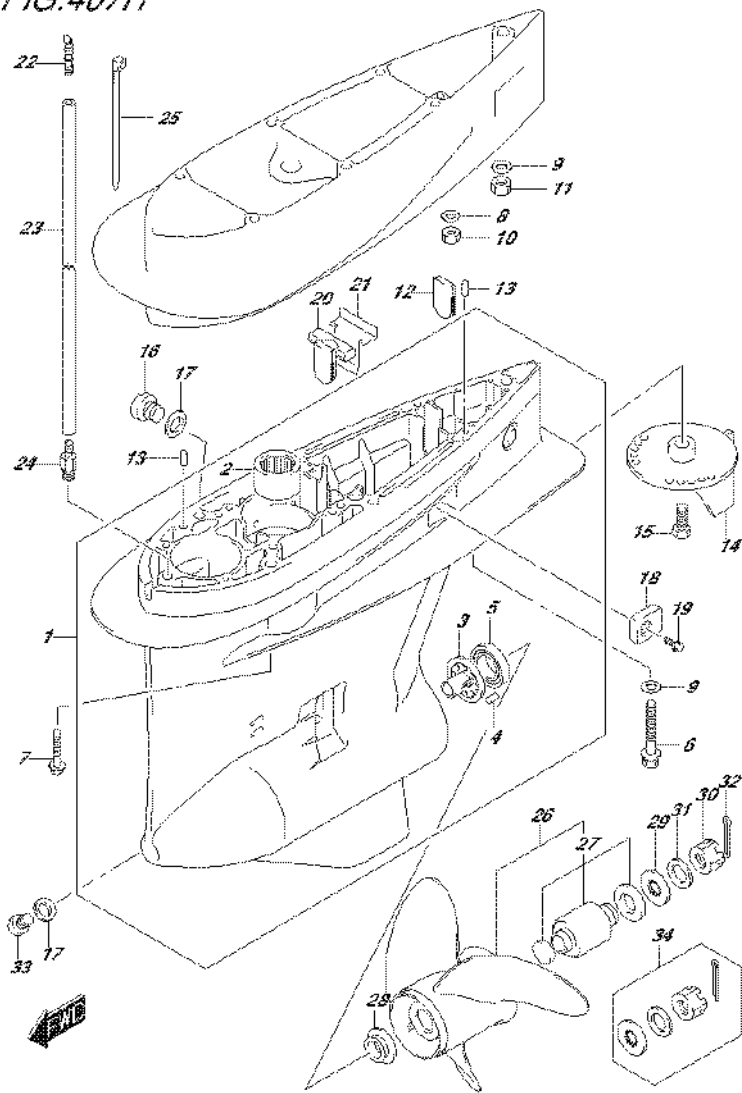
DF225Z_E01_016_407H
GEAR CASE

FIG.407H (3-F-12) GEAR CASE (DF225Z E40)

REF NO.	PART NO.	DESCRIPTION	Q'TY	REMARKS
1-1	55110-93J30-0EP	CASE, GEAR (BLACK)	1	
1-2	55110-93J30-Y5S	CASE, GEAR (WHITE)	1	
2	09263-32017	.BEARING (32X48X30)	1	
3	56145-93J00	.HOUSING, SHIFT CAM	1	
4	04221-08129	.PIN	1	
5	09265-50002	.BEARING (50X90X21.75)	1	
6	09100-12052	BOLT (12X70)	1	W/TRANSOM(X)
7	09116-10150	BOLT (10X55)	6	W/TRANSOM(X)
8	09160-10141	WASHER (10.5X19X2)	6	W/TRANSOM(XX)
9	09160-12066	WASHER (12.5X22X2.5)	1	
10	29141-93J20	NUT, EXTENSION BOLT NO.1	6	W/TRANSOM(XX)
11	09159-12014	NUT	1	W/TRANSOM(XX)
12	17566-87D11	GROMMET, GEAR CASE	1	
13	09202-08006	PIN (8X12)	2	
14-1	55125-98J00-0EP	TAB, TRIM (BLACK)	1	
14-2	55125-98J00-Y5S	TAB, TRIM (WHITE)	1	
15	09116-08137	BOLT (8X22)	1	
16	55128-93J10	PLUG, DRAIN	2	
17	09168-10034	GASKET (9.5X16.5X2)	3	
18	55321-93J01	ANODE, PROTECTION	2	
19	09116-06236	BOLT (6X16)	2	
20	55332-87D11	RUBBER, EXHAUST SEAL	1	
21	55333-87D10	PLATE, EXHAUST SEAL	1	
22	55127-87D00	UNION, SPEEDOMETER HOSE	1	
23	09355-40805-00B	HOSE (4X8X2000)	1	L:2000->1700
24	09362-09008	UNION	1	
25	09407-10404	CLAMP (L:100)	2	
26-1	58200-93LA0	PROPELLER (3X16X18.5)	1	
26-2	58200-93LB0	PROPELLER (3X16X20)	1	
26-3	58200-93LC0	PROPELLER (3X16X21.5)	1	
26-4	58200-93LD0	PROPELLER (3X16X23)	1	
26-5	58200-93LE0	PROPELLER (3X16X17)	1	
26-6	58200-93LF0	PROPELLER (3X16X24.5)	1	OPT
26-7	58200-93LG0	PROPELLER (3X16X26)	1	OPT

DF250_E01_016

FIG.407H



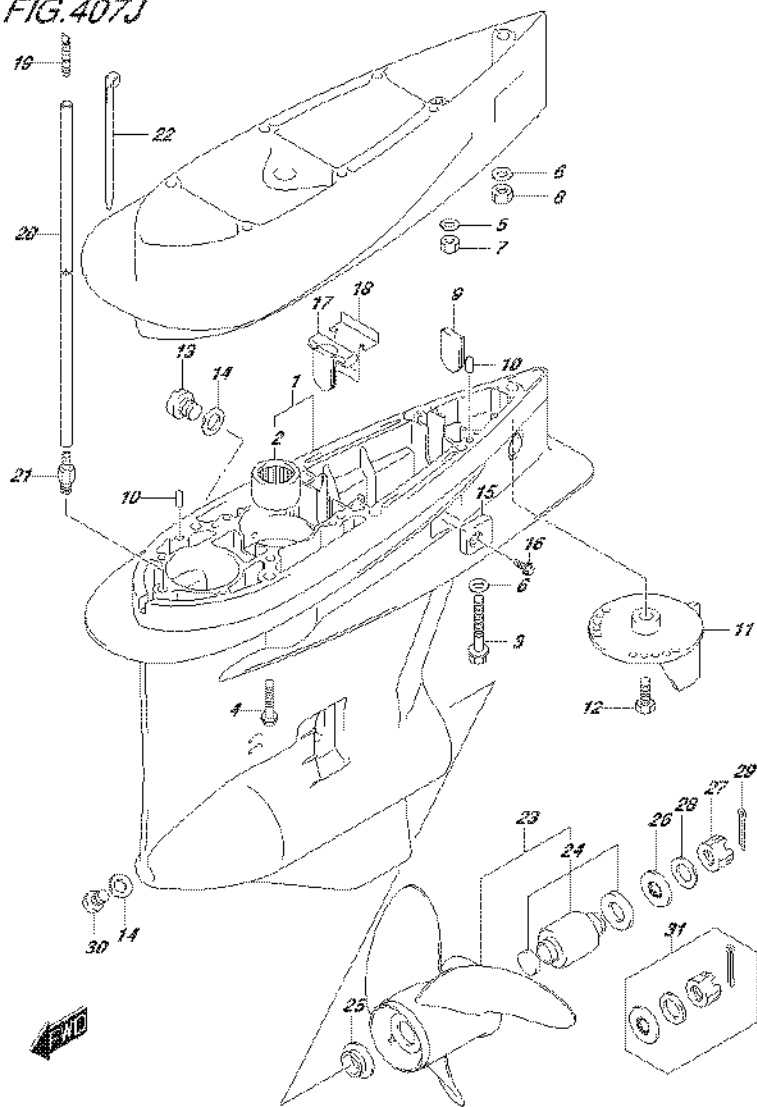
DF225Z_E01_016_407H
GEAR CASE

FIG.407H (3-F-13) GEAR CASE (DF225Z E40)

REF NO.	PART NO.	DESCRIPTION	Q'TY	REMARKS
26-8	58200-96JA0	PROPELLER (3X15.5X17)	1	OPT
26-9	58200-96JB0	PROPELLER (3X15.25X19)	1	OPT
26-10	58200-96JC0	PROPELLER (3X14.75X21)	1	OPT
26-11	58200-96JD0	PROPELLER (3X14.75X23)	1	OPT
26-12	58200-96JE0	PROPELLER (3X14.5X25)	1	OPT
26-13	58200-96JF0	PROPELLER (3X14.5X27)	1	OPT
27	58105-93J10	.BUSH SET, PROPELLER	1	
28	57632-93L01	STOPPER, PROPELLER BUSH	1	
29	57633-87D30	SPACER, PROPELLER NUT	1	
30	09141-18005	NUT	1	
31	09160-18028	WASHER (18.5X31X1)	1	
32	09204-03003	COTTER PIN (D:3.6.L:25)	1	
33	55128-93L00	PLUG, DRAIN	1	
34	57630-92E00	KIT, PROPELLER NUT	1	OPT
35	25700-93J00	KIT, GEAR CASE SEALING	1	OPT

NOT ILLUSTRATED

FIG.407J



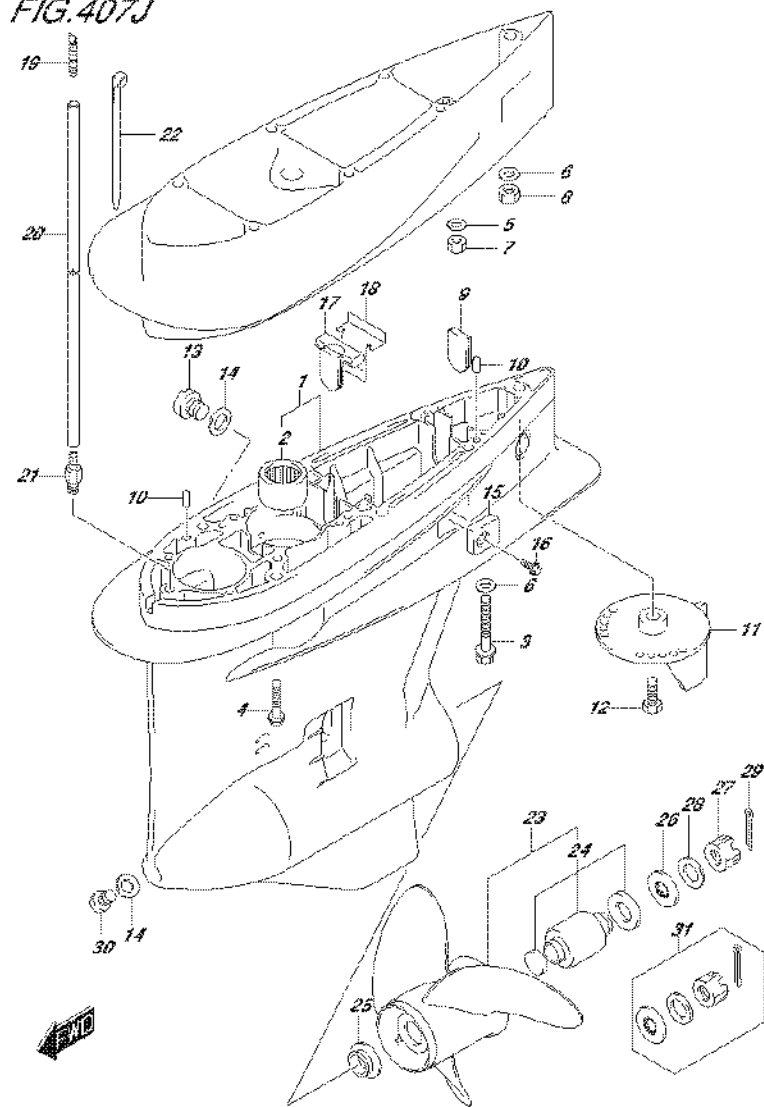
DF250_E01_016_407J
GEAR CASE

FIG.407J (3-F-14) GEAR CASE (DF250T E01)

REF NO.	PART NO.	DESCRIPTION	Q'TY	REMARKS
1-1	55110-93J20-0EP	CASE, GEAR (BLACK)	1	
1-2	55110-93J20-Y5S	CASE, GEAR (WHITE)	1	
2	09263-32017	.BEARING (32X48X30)	1	
3	09100-12052	BOLT (12X70)	1	W/TRANSOM(X)
4	09116-10150	BOLT (10X55)	6	W/TRANSOM(X)
5	09160-10141	WASHER (10.5X19X2)	6	W/TRANSOM(XX)
6	09160-12066	WASHER (12.5X22X2.5)	1	
7	29141-93J20	NUT, EXTENSION BOLT NO.1	6	W/TRANSOM(XX)
8	09159-12014	NUT	1	W/TRANSOM(XX)
9	17566-87D11	GROMMET, GEAR CASE	1	
10	09202-08006	PIN (8X12)	2	
11-1	55125-98J00-0EP	TAB, TRIM (BLACK)	1	
11-2	55125-98J00-Y5S	TAB, TRIM (WHITE)	1	
12	09116-08137	BOLT (8X22)	1	
13	55128-93J10	PLUG, DRAIN	2	
14	09168-10034	GASKET (9.5X16.5X2)	3	
15	55321-93J01	ANODE, PROTECTION	2	
16	09116-06236	BOLT (6X16)	2	
17	55332-87D11	RUBBER, EXHAUST SEAL	1	
18	55333-87D10	PLATE, EXHAUST SEAL	1	
19	55127-87D00	UNION, SPEEDOMETER HOSE	1	
20	09355-40805-00B	HOSE (4X8X2000)	1	L:2000->1700
21	09362-09008	UNION	1	
22	09407-10404	CLAMP (L:100)	2	
23-1	58200-93L00	PROPELLER (3X16X17)	1	
23-2	58200-93L10	PROPELLER (3X16X18.5)	1	
23-3	58200-93L20	PROPELLER (3X16X20)	1	
23-4	58200-93L30	PROPELLER (3X16X21.5)	1	
23-5	58200-93L40	PROPELLER (3X16X23)	1	
23-6	58200-93L50	PROPELLER (3X16X24.5)	1	
23-7	58200-93L60	PROPELLER (3X16X26)	1	OPT
23-8	58200-93L70	PROPELLER (3X16X27.5)	1	OPT
23-9	58200-93L80	PROPELLER (3X16X15)	1	OPT
23-10	58200-96J00	PROPELLER (3X15.5X17)	1	OPT

DF250_E01_016

FIG.407J



DF250_E01_016_407J
GEAR CASE

FIG.407J (3-F-15) GEAR CASE (DF250T E01)

REF NO.	PART NO.	DESCRIPTION	Q'TY	REMARKS
23-11	58200-96J10	PROPELLER (3X15.25X19)	1	OPT
23-12	58200-96J20	PROPELLER (3X14.75X21)	1	OPT
23-13	58200-96J30	PROPELLER (3X14.75X23)	1	OPT
23-14	58200-96J40	PROPELLER (3X14.5X25)	1	OPT
23-15	58200-96J50	PROPELLER (3X14.5X27)	1	OPT
24	58105-93J10	.BUSH SET, PROPELLER	1	
25	57632-93L01	STOPPER, PROPELLER BUSH	1	
26	57633-87D30	SPACER, PROPELLER NUT	1	
27	09141-18005	NUT	1	
28	09160-18028	WASHER (18.5X31X1)	1	
29	09204-03003	COTTER PIN (D:3.6.L:25)	1	
30	55128-93L00	PLUG, DRAIN	1	
31	57630-92E00	KIT, PROPELLER NUT	1	OPT
32	25700-93J00	KIT, GEAR CASE SEALING	1	OPT NOT ILLUSTRATED

FIG.407K

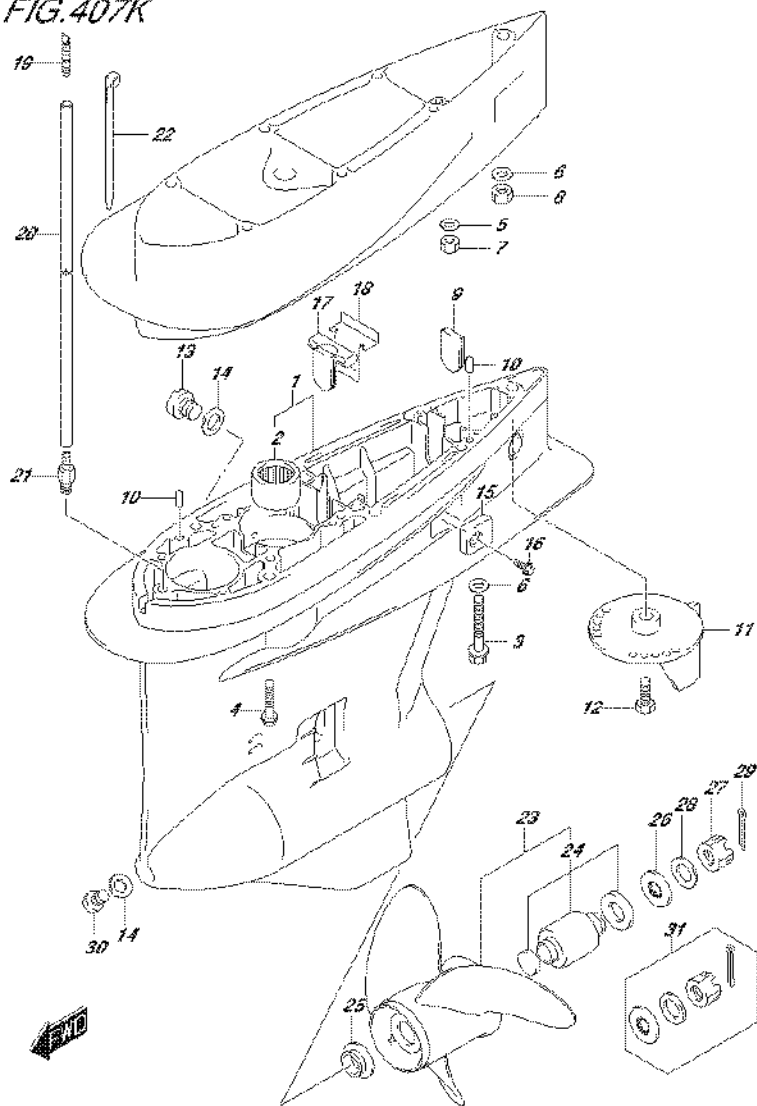
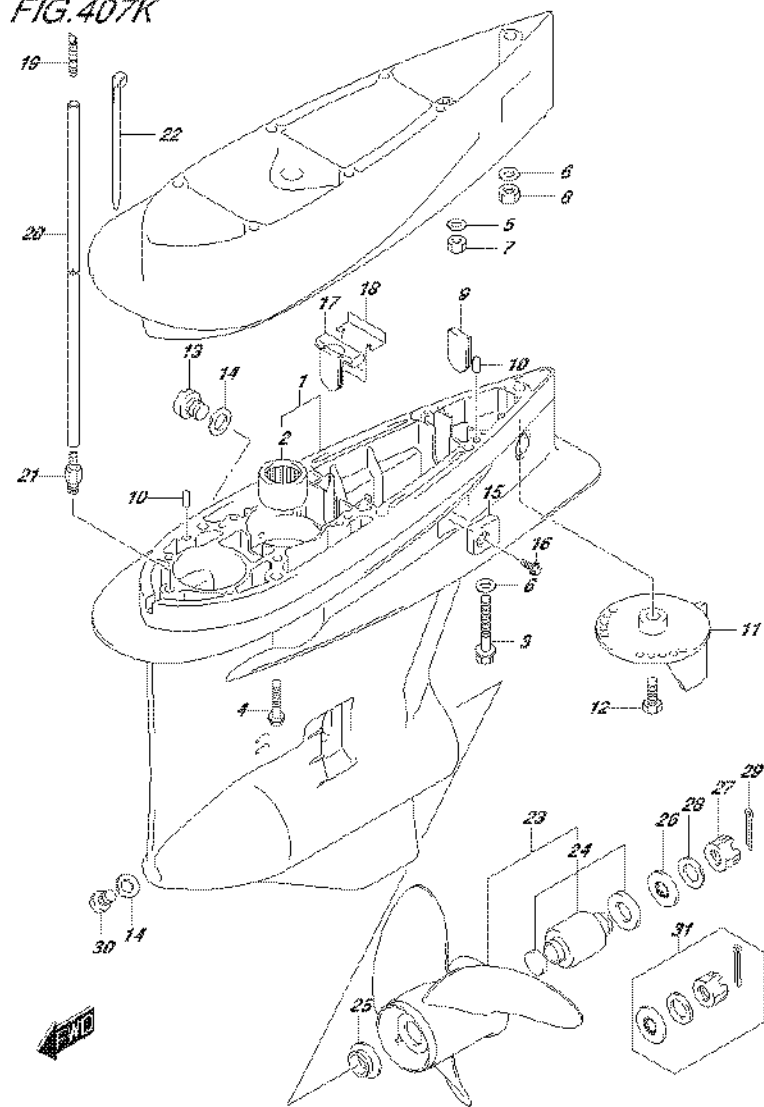


FIG.407K (3-G-2) GEAR CASE (DF250T E40)

REF NO.	PART NO.	DESCRIPTION	Q'TY	REMARKS
1-1	55110-93J20-0EP	CASE, GEAR (BLACK)	1	
1-2	55110-93J20-Y5S	CASE, GEAR (WHITE)	1	
2	09263-32017	.BEARING (32X48X30)	1	
3	09100-12052	BOLT (12X70)	1	W/TRANSOM(X)
4	09116-10150	BOLT (10X55)	6	W/TRANSOM(X)
5	09160-10141	WASHER (10.5X19X2)	6	W/TRANSOM(XX)
6	09160-12066	WASHER (12.5X22X2.5)	1	
7	29141-93J20	NUT, EXTENSION BOLT NO.1	6	W/TRANSOM(XX)
8	09159-12014	NUT	1	W/TRANSOM(XX)
9	17566-87D11	GROMMET, GEAR CASE	1	
10	09202-08006	PIN (8X12)	2	
11-1	55125-98J00-0EP	TAB, TRIM (BLACK)	1	
11-2	55125-98J00-Y5S	TAB, TRIM (WHITE)	1	
12	09116-08137	BOLT (8X22)	1	
13	55128-93J10	PLUG, DRAIN	2	
14	09168-10034	GASKET (9.5X16.5X2)	3	
15	55321-93J01	ANODE, PROTECTION	2	
16	09116-06236	BOLT (6X16)	2	
17	55332-87D11	RUBBER, EXHAUST SEAL	1	
18	55333-87D10	PLATE, EXHAUST SEAL	1	
19	55127-87D00	UNION, SPEEDOMETER HOSE	1	
20	09355-40805-00B	HOSE (4X8X2000)	1	L:2000->1700
21	09362-09008	UNION	1	
22	09407-10404	CLAMP (L:100)	2	
23-1	58200-93L00	PROPELLER (3X16X17)	1	
23-2	58200-93L10	PROPELLER (3X16X18.5)	1	
23-3	58200-93L20	PROPELLER (3X16X20)	1	
23-4	58200-93L30	PROPELLER (3X16X21.5)	1	
23-5	58200-93L40	PROPELLER (3X16X23)	1	
23-6	58200-93L50	PROPELLER (3X16X24.5)	1	
23-7	58200-93L60	PROPELLER (3X16X26)	1	OPT
23-8	58200-93L70	PROPELLER (3X16X27.5)	1	OPT
23-9	58200-93L80	PROPELLER (3X16X15)	1	OPT
23-10	58200-96J00	PROPELLER (3X15.5X17)	1	OPT

FIG.407K



DF250_E01_016_407K
GEAR CASE

FIG.407K (3-G-3) GEAR CASE (DF250T E40)

REF NO.	PART NO.	DESCRIPTION	Q'TY	REMARKS
23-11	58200-96J10	PROPELLER (3X15.25X19)	1	OPT
23-12	58200-96J20	PROPELLER (3X14.75X21)	1	OPT
23-13	58200-96J30	PROPELLER (3X14.75X23)	1	OPT
23-14	58200-96J40	PROPELLER (3X14.5X25)	1	OPT
23-15	58200-96J50	PROPELLER (3X14.5X27)	1	OPT
24	58105-93J10	.BUSH SET, PROPELLER	1	
25	57632-93L01	STOPPER, PROPELLER BUSH	1	
26	57633-87D30	SPACER, PROPELLER NUT	1	
27	09141-18005	NUT	1	
28	09160-18028	WASHER (18.5X31X1)	1	
29	09204-03003	COTTER PIN (D:3.6.L:25)	1	
30	55128-93L00	PLUG, DRAIN	1	
31	57630-92E00	KIT, PROPELLER NUT	1	OPT
32	25700-93J00	KIT, GEAR CASE SEALING	1	OPT NOT ILLUSTRATED

FIG.407L

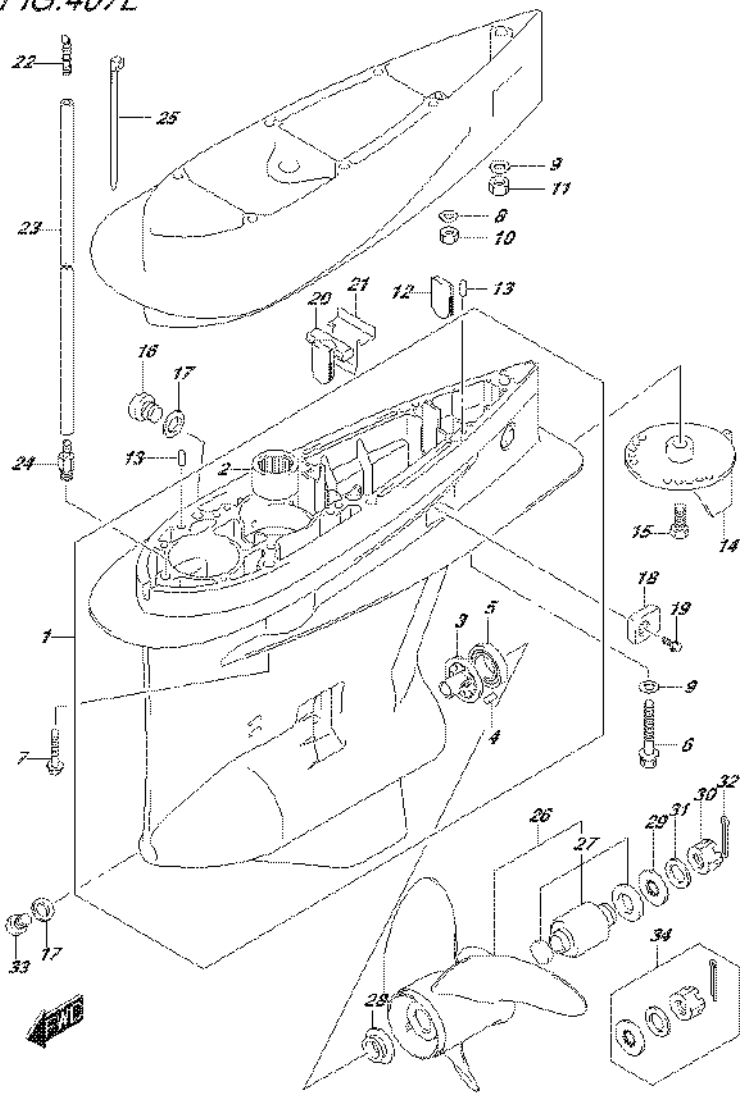
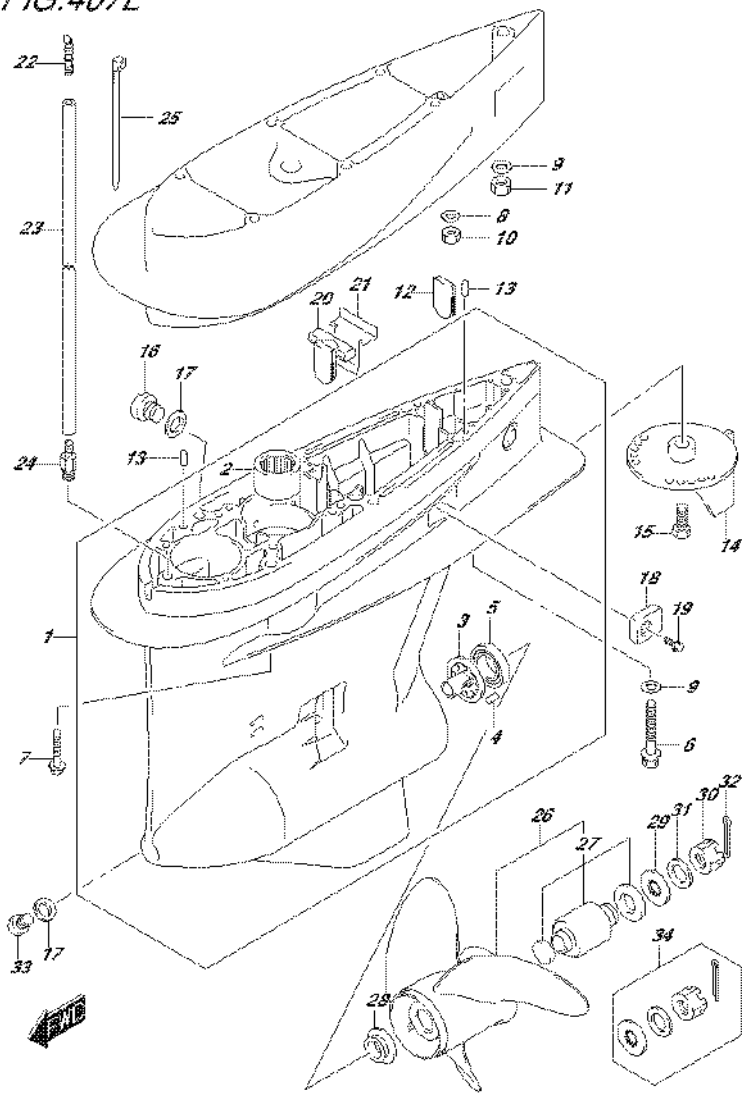


FIG.407L (3-G-4) GEAR CASE (DF250Z E01)

REF NO.	PART NO.	DESCRIPTION	Q'TY	REMARKS
1-1	55110-93J30-0EP	CASE, GEAR (BLACK)	1	
1-2	55110-93J30-Y5S	CASE, GEAR (WHITE)	1	
2	09263-32017	.BEARING (32X48X30)	1	
3	56145-93J00	.HOUSING, SHIFT CAM	1	
4	04221-08129	.PIN	1	
5	09265-50002	.BEARING (50X90X21.75)	1	
6	09100-12052	BOLT (12X70)	1	W/TRANSOM(X)
7	09116-10150	BOLT (10X55)	6	W/TRANSOM(X)
8	09160-10141	WASHER (10.5X19X2)	6	W/TRANSOM(XX)
9	09160-12066	WASHER (12.5X22X2.5)	1	
10	29141-93J20	NUT, EXTENSION BOLT NO.1	6	W/TRANSOM(XX)
11	09159-12014	NUT	1	W/TRANSOM(XX)
12	17566-87D11	GROMMET, GEAR CASE	1	
13	09202-08006	PIN (8X12)	2	
14-1	55125-98J00-0EP	TAB, TRIM (BLACK)	1	
14-2	55125-98J00-Y5S	TAB, TRIM (WHITE)	1	
15	09116-08137	BOLT (8X22)	1	
16	55128-93J10	PLUG, DRAIN	2	
17	09168-10034	GASKET (9.5X16.5X2)	3	
18	55321-93J01	ANODE, PROTECTION	2	
19	09116-06236	BOLT (6X16)	2	
20	55332-87D11	RUBBER, EXHAUST SEAL	1	
21	55333-87D10	PLATE, EXHAUST SEAL	1	
22	55127-87D00	UNION, SPEEDOMETER HOSE	1	
23	09355-40805-00B	HOSE (4X8X2000)	1	L:2000->1700
24	09362-09008	UNION	1	
25	09407-10404	CLAMP (L:100)	2	
26-1	58200-93LA0	PROPELLER (3X16X18.5)	1	
26-2	58200-93LB0	PROPELLER (3X16X20)	1	
26-3	58200-93LC0	PROPELLER (3X16X21.5)	1	
26-4	58200-93LD0	PROPELLER (3X16X23)	1	
26-5	58200-93LE0	PROPELLER (3X16X17)	1	
26-6	58200-93LF0	PROPELLER (3X16X24.5)	1	OPT
26-7	58200-93LG0	PROPELLER (3X16X26)	1	OPT

FIG. 407L



DF250_E01_016_407L
GEAR CASE

FIG.407L (3-G-5) GEAR CASE (DF250Z E01)

REF NO.	PART NO.	DESCRIPTION	Q'TY	REMARKS
26-8	58200-96JA0	PROPELLER (3X15.5X17)	1	OPT
26-9	58200-96JB0	PROPELLER (3X15.25X19)	1	OPT
26-10	58200-96JC0	PROPELLER (3X14.75X21)	1	OPT
26-11	58200-96JD0	PROPELLER (3X14.75X23)	1	OPT
26-12	58200-96JE0	PROPELLER (3X14.5X25)	1	OPT
26-13	58200-96JF0	PROPELLER (3X14.5X27)	1	OPT
27	58105-93J10	.BUSH SET, PROPELLER	1	
28	57632-93L01	STOPPER, PROPELLER BUSH	1	
29	57633-87D30	SPACER, PROPELLER NUT	1	
30	09141-18005	NUT	1	
31	09160-18028	WASHER (18.5X31X1)	1	
32	09204-03003	COTTER PIN (D:3.6.L:25)	1	
33	55128-93L00	PLUG, DRAIN	1	
34	57630-92E00	KIT, PROPELLER NUT	1	OPT
35	25700-93J00	KIT, GEAR CASE SEALING	1	OPT

NOT ILLUSTRATED

FIG.407M

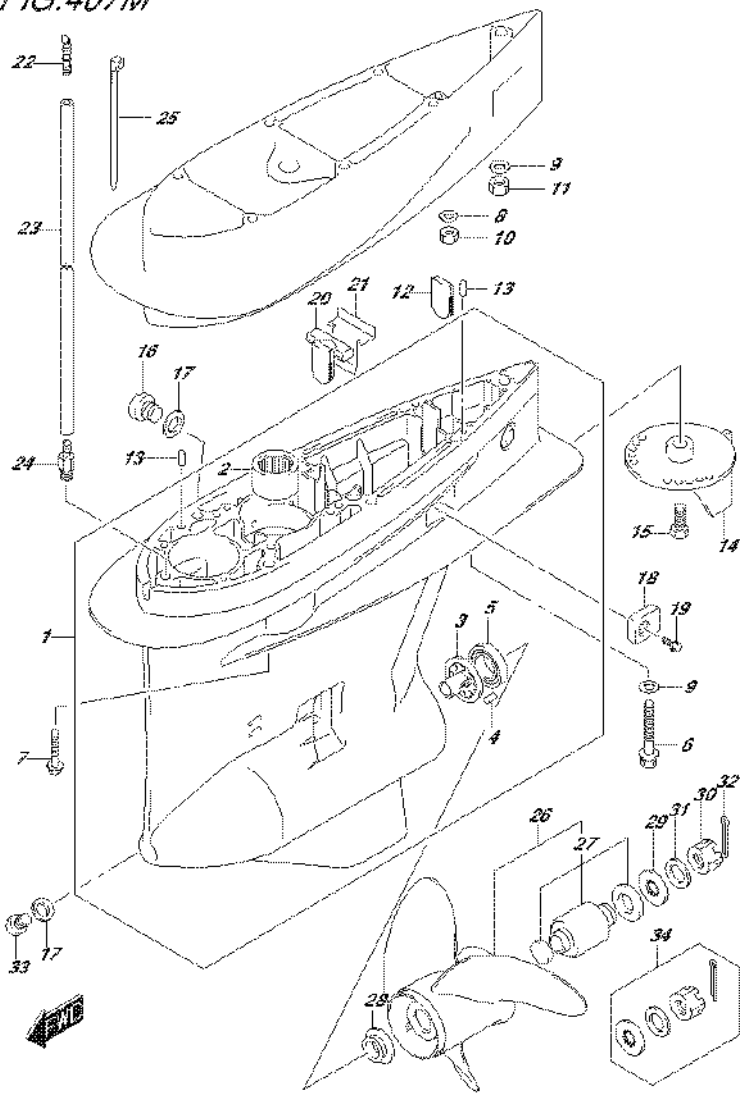
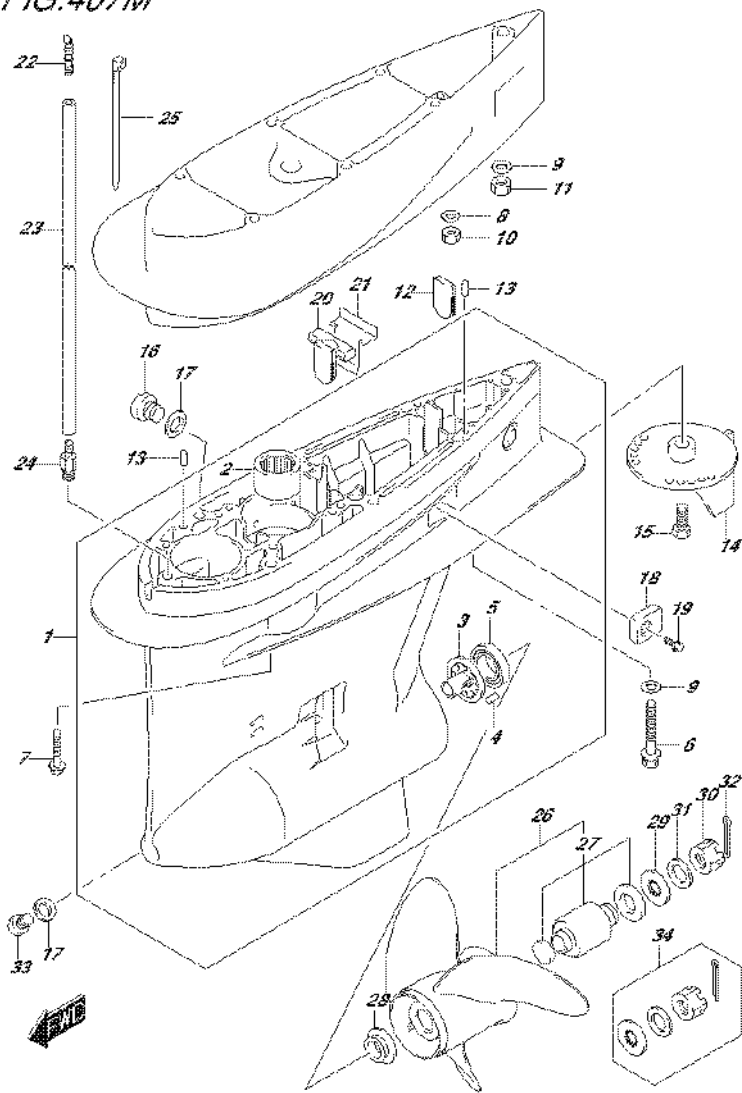


FIG.407M (3-G-6) GEAR CASE (DF250Z E40)

REF NO.	PART NO.	DESCRIPTION	Q'TY	REMARKS
1-1	55110-93J30-0EP	CASE, GEAR (BLACK)	1	
1-2	55110-93J30-Y5S	CASE, GEAR (WHITE)	1	
2	09263-32017	.BEARING (32X48X30)	1	
3	56145-93J00	.HOUSING, SHIFT CAM	1	
4	04221-08129	.PIN	1	
5	09265-50002	.BEARING (50X90X21.75)	1	
6	09100-12052	BOLT (12X70)	1	W/TRANSOM(X)
7	09116-10150	BOLT (10X55)	6	W/TRANSOM(X)
8	09160-10141	WASHER (10.5X19X2)	6	W/TRANSOM(XX)
9	09160-12066	WASHER (12.5X22X2.5)	1	
10	29141-93J20	NUT, EXTENSION BOLT NO.1	6	W/TRANSOM(XX)
11	09159-12014	NUT	1	W/TRANSOM(XX)
12	17566-87D11	GROMMET, GEAR CASE	1	
13	09202-08006	PIN (8X12)	2	
14-1	55125-98J00-0EP	TAB, TRIM (BLACK)	1	
14-2	55125-98J00-Y5S	TAB, TRIM (WHITE)	1	
15	09116-08137	BOLT (8X22)	1	
16	55128-93J10	PLUG, DRAIN	2	
17	09168-10034	GASKET (9.5X16.5X2)	3	
18	55321-93J01	ANODE, PROTECTION	2	
19	09116-06236	BOLT (6X16)	2	
20	55332-87D11	RUBBER, EXHAUST SEAL	1	
21	55333-87D10	PLATE, EXHAUST SEAL	1	
22	55127-87D00	UNION, SPEEDOMETER HOSE	1	
23	09355-40805-00B	HOSE (4X8X2000)	1	L:2000->1700
24	09362-09008	UNION	1	
25	09407-10404	CLAMP (L:100)	2	
26-1	58200-93LA0	PROPELLER (3X16X18.5)	1	
26-2	58200-93LB0	PROPELLER (3X16X20)	1	
26-3	58200-93LC0	PROPELLER (3X16X21.5)	1	
26-4	58200-93LD0	PROPELLER (3X16X23)	1	
26-5	58200-93LE0	PROPELLER (3X16X17)	1	
26-6	58200-93LF0	PROPELLER (3X16X24.5)	1	OPT
26-7	58200-93LG0	PROPELLER (3X16X26)	1	OPT

FIG.407M



DF250Z_E01_016_407M
GEAR CASE

FIG.407M (3-G-7) GEAR CASE (DF250Z E40)

REF NO.	PART NO.	DESCRIPTION	Q'TY	REMARKS
26-8	58200-96JA0	PROPELLER (3X15.5X17)	1	OPT
26-9	58200-96JB0	PROPELLER (3X15.25X19)	1	OPT
26-10	58200-96JC0	PROPELLER (3X14.75X21)	1	OPT
26-11	58200-96JD0	PROPELLER (3X14.75X23)	1	OPT
26-12	58200-96JE0	PROPELLER (3X14.5X25)	1	OPT
26-13	58200-96JF0	PROPELLER (3X14.5X27)	1	OPT
27	58105-93J10	.BUSH SET, PROPELLER	1	
28	57632-93L01	STOPPER, PROPELLER BUSH	1	
29	57633-87D30	SPACER, PROPELLER NUT	1	
30	09141-18005	NUT	1	
31	09160-18028	WASHER (18.5X31X1)	1	
32	09204-03003	COTTER PIN (D:3.6.L:25)	1	
33	55128-93L00	PLUG, DRAIN	1	
34	57630-92E00	KIT, PROPELLER NUT	1	OPT
35	25700-93J00	KIT, GEAR CASE SEALING	1	OPT

NOT ILLUSTRATED

FIG.410A

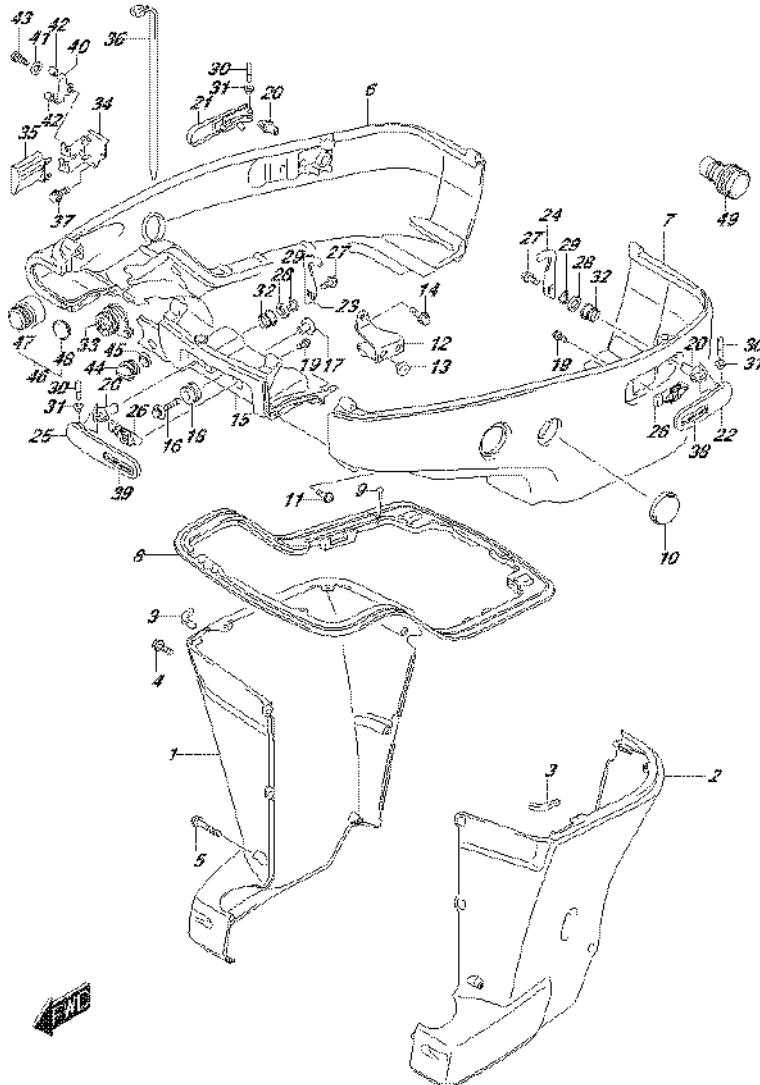


FIG.410A (3-G-8) SIDE COVER TRANSOM(X,XX) (DF200T E01)

REF NO.	PART NO.	DESCRIPTION	Q'TY	REMARKS
1-1	61131-93J01-0EP	COVER, OIL PAN STBD (BLACK)	1	
1-2	61131-93J01-Y5S	COVER, OIL PAN STBD (WHITE)	1	
2-1	61141-93J01-0EP	COVER, OIL PAN PORT (BLACK)	1	
2-2	61141-93J01-Y5S	COVER, OIL PAN PORT (WHITE)	1	
3	61137-93J00	CUSHION, OIL PAN COV UPPER	2	
4	09139-06135	SCREW (6X17)	5	
5	09139-06136	SCREW (6X65)	3	
6-1	61811-93J40-0EP	COVER, SIDE STBD (BLACK)	1	
6-2	61811-93J40-Y5S	COVER, SIDE STBD (WHITE)	1	
7-1	61821-93J10-0EP	COVER, SIDE PORT (BLACK)	1	
7-2	61821-93J10-Y5S	COVER, SIDE PORT (WHITE)	1	
8	61134-93J20	SEAL, SIDE COVER	1	
9	09409-05302-5PK	CLIP (BLACK)	2	
10	61817-93J00	PLUG, SIDE COVER	2	
11	09136-06148	SCREW (6X35)	8	
12	61827-93J02	HOLDER, SIDE COVER	1	
13	09321-10030	CUSHION	2	
14	01550-08167	BOLT	2	
15-1	61831-93J13-0EP	PANEL, FRONT (BLACK)	1	
15-2	61831-93J13-Y5S	PANEL, FRONT (WHITE)	1	
16	09116-08163	BOLT (8X38)	2	
17	09169-08039	WASHER	2	
18	09320-11013	CUSHION	2	
19	01550-05107	BOLT	6	
20	61632-93J00	SHAFT, ENGINE COVER HOOK	3	
21-1	61633-93J00-0EP	LEVER, HOOK RR STBD (BLACK)	1	
21-2	61633-93J00-Y5S	LEVER, HOOK RR STBD (WHITE)	1	
22-1	61634-93J00-0EP	LEVER, HOOK RR PORT (BLACK)	1	
22-2	61634-93J00-Y5S	LEVER, HOOK RR PORT (WHITE)	1	
23	61641-93J10	HOOK, ENGINE COVER (REAR STBD/FRONT)	2	
24	61641-93J20	HOOK, ENGINE COVER (REAR PORT)	1	
25-1	61645-93J01-0EP	LEVER, HOOK FR (BLACK)	1	
25-2	61645-93J01-Y5S	LEVER, HOOK FR (WHITE)	1	

FIG.410A

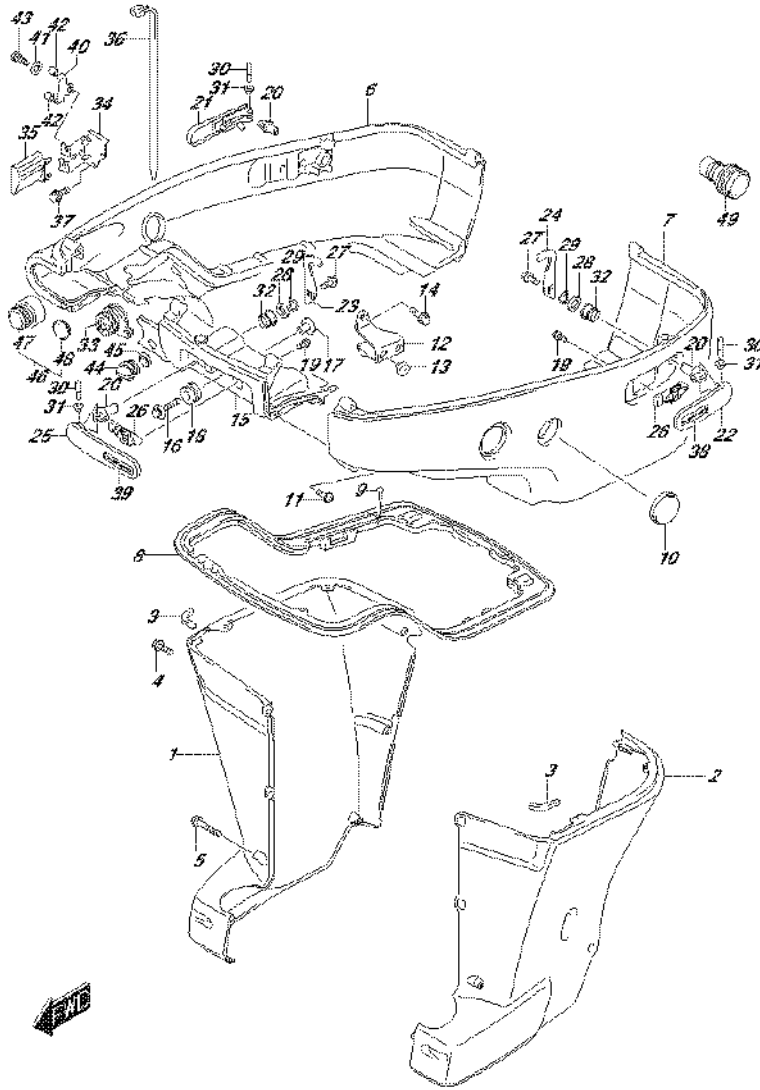


FIG.410A (3-G-9) SIDE COVER TRANSOM(X,XX) (DF200T E01)

REF NO.	PART NO.	DESCRIPTION	Q'TY	REMARKS
26	61673-93J01	LATCH, HOOK LEVER	3	
27	09116-06127	BOLT (6X12)	3	
28	09160-13014	WASHER (13.2X25X1)	3	
29	09164-14008	WASHER	3	
30	09202-04022	PIN	3	
31	09306-04005	BUSH	6	
32	09306-13007	BUSH	3	
33	61124-93J40	GROMMET, REMOCON CABLE	1	
34	67341-93J20	HOLDER, REMOCON CABLE	1	
35	67345-93J00	PROTECTOR, R/CON CABLE HOLDER	1	
36	09407-25402	CLAMP (L:250)	1	
37	01550-06167	BOLT	2	
38	61639-93J00	LABEL, HOOK LEVER (REAR PORT)	1	
39	61649-93J00	LABEL, HOOK LEVER (REAR STBD / FRONT)	2	
40	67343-93J20	STOPPER, REMOCON CABLE	1	
41	09160-06047	WASHER (6.5X20X2)	1	
42	09352-70103-600	HOSE (7X10.2X600)	2	L:600->14
43	01570-06107	BOLT	1	
44	17913-93J00	PLUG, WATER	1	
45	17914-93J00	GASKET, WATER PLUG	1	
46	67300-93J00	KIT, HOSE ADAPTER	1	OPT
47	67361-93J00	.ADAPTER, HOSE	1	OPT
48	09250-21003	.PLUG (OD:28)	1	OPT
49	17917-87L00	CONNECTOR, FLUSH WATER	1	

FIG.410B

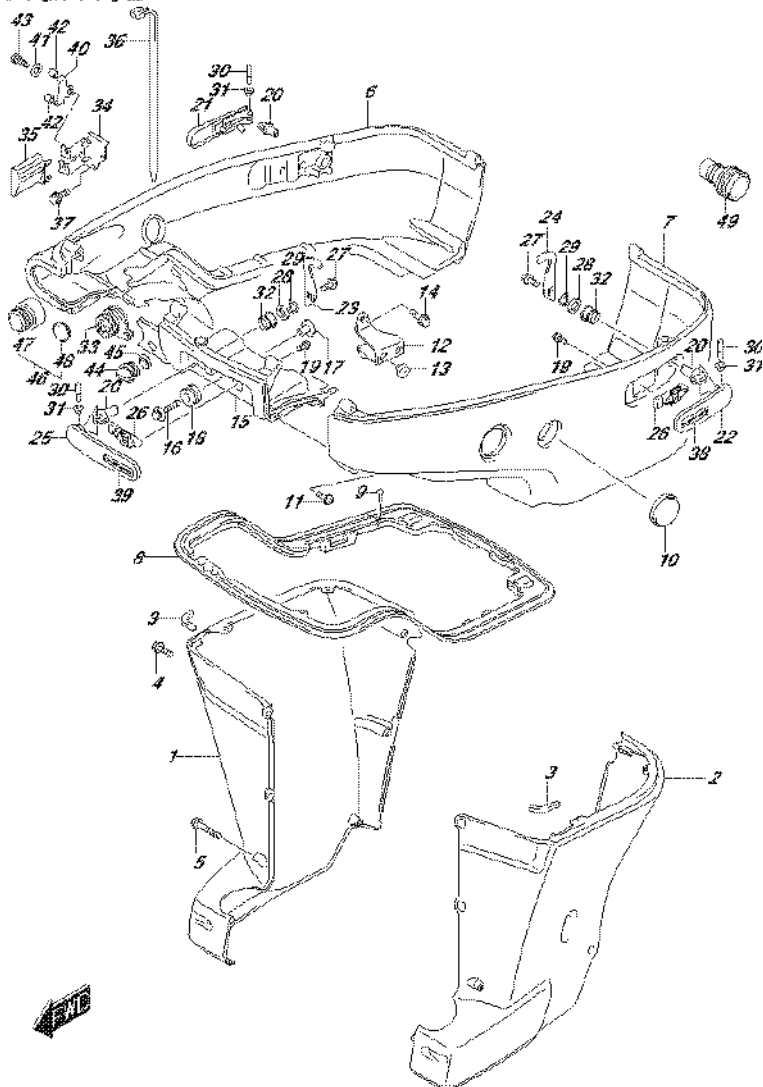


FIG.410B (3-G-10) SIDE COVER TRANSOM(X) (DF200T E40)

REF NO.	PART NO.	DESCRIPTION	Q'TY	REMARKS
1-1	61131-93J01-0EP	COVER, OIL PAN STBD (BLACK)	1	
1-2	61131-93J01-Y5S	COVER, OIL PAN STBD (WHITE)	1	
2-1	61141-93J01-0EP	COVER, OIL PAN PORT (BLACK)	1	
2-2	61141-93J01-Y5S	COVER, OIL PAN PORT (WHITE)	1	
3	61137-93J00	CUSHION, OIL PAN COV UPPER	2	
4	09139-06135	SCREW (6X17)	5	
5	09139-06136	SCREW (6X65)	3	
6-1	61811-93J40-0EP	COVER, SIDE STBD (BLACK)	1	
6-2	61811-93J40-Y5S	COVER, SIDE STBD (WHITE)	1	
7-1	61821-93J10-0EP	COVER, SIDE PORT (BLACK)	1	
7-2	61821-93J10-Y5S	COVER, SIDE PORT (WHITE)	1	
8	61134-93J20	SEAL, SIDE COVER	1	
9	09409-05302-5PK	CLIP (BLACK)	2	
10	61817-93J00	PLUG, SIDE COVER	2	
11	09136-06148	SCREW (6X35)	8	
12	61827-93J02	HOLDER, SIDE COVER	1	
13	09321-10030	CUSHION	2	
14	01550-08167	BOLT	2	
15-1	61831-93J13-0EP	PANEL, FRONT (BLACK)	1	
15-2	61831-93J13-Y5S	PANEL, FRONT (WHITE)	1	
16	09116-08163	BOLT (8X38)	2	
17	09169-08039	WASHER	2	
18	09320-11013	CUSHION	2	
19	01550-05107	BOLT	6	
20	61632-93J00	SHAFT, ENGINE COVER HOOK	3	
21-1	61633-93J00-0EP	LEVER, HOOK RR STBD (BLACK)	1	
21-2	61633-93J00-Y5S	LEVER, HOOK RR STBD (WHITE)	1	
22-1	61634-93J00-0EP	LEVER, HOOK RR PORT (BLACK)	1	
22-2	61634-93J00-Y5S	LEVER, HOOK RR PORT (WHITE)	1	
23	61641-93J10	HOOK, ENGINE COVER (REAR STBD/FRONT)	2	
24	61641-93J20	HOOK, ENGINE COVER (REAR PORT)	1	
25-1	61645-93J01-0EP	LEVER, HOOK FR (BLACK)	1	
25-2	61645-93J01-Y5S	LEVER, HOOK FR (WHITE)	1	

FIG.410B

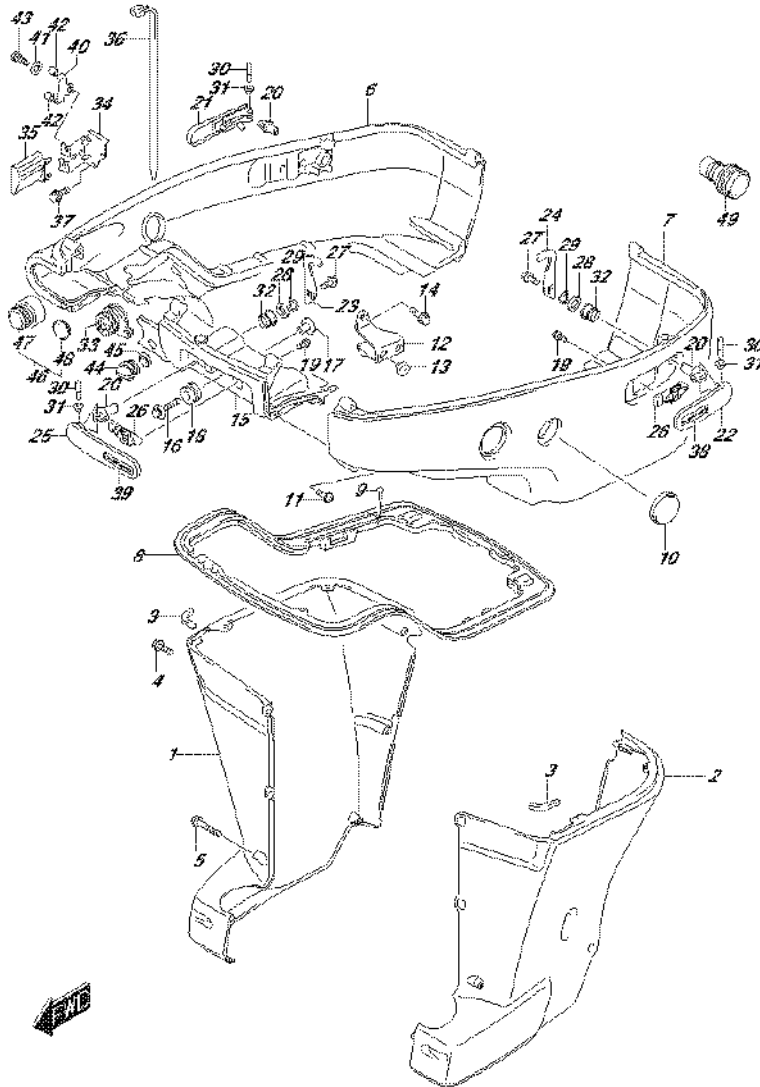


FIG.410B (3-G-11) SIDE COVER TRANSOM(X) (DF200T E40)

REF NO.	PART NO.	DESCRIPTION	Q'TY	REMARKS
26	61673-93J01	LATCH, HOOK LEVER	3	
27	09116-06127	BOLT (6X12)	3	
28	09160-13014	WASHER (13.2X25X1)	3	
29	09164-14008	WASHER	3	
30	09202-04022	PIN	3	
31	09306-04005	BUSH	6	
32	09306-13007	BUSH	3	
33	61124-93J40	GROMMET, REMOCON CABLE	1	
34	67341-93J20	HOLDER, REMOCON CABLE	1	
35	67345-93J00	PROTECTOR, R/CON CABLE HOLDER	1	
36	09407-25402	CLAMP (L:250)	1	
37	01550-06167	BOLT	2	
38	61639-93J00	LABEL, HOOK LEVER (REAR PORT)	1	
39	61649-93J00	LABEL, HOOK LEVER (REAR STBD / FRONT)	2	
40	67343-93J20	STOPPER, REMOCON CABLE	1	
41	09160-06047	WASHER (6.5X20X2)	1	
42	09352-70103-600	HOSE (7X10.2X600)	2	L:600->14
43	01570-06107	BOLT	1	
44	17913-93J00	PLUG, WATER	1	
45	17914-93J00	GASKET, WATER PLUG	1	
46	67300-93J00	KIT, HOSE ADAPTER	1	OPT
47	67361-93J00	.ADAPTER, HOSE	1	OPT
48	09250-21003	.PLUG (OD:28)	1	OPT
49	17917-87L00	CONNECTOR, FLUSH WATER	1	

FIG.410C

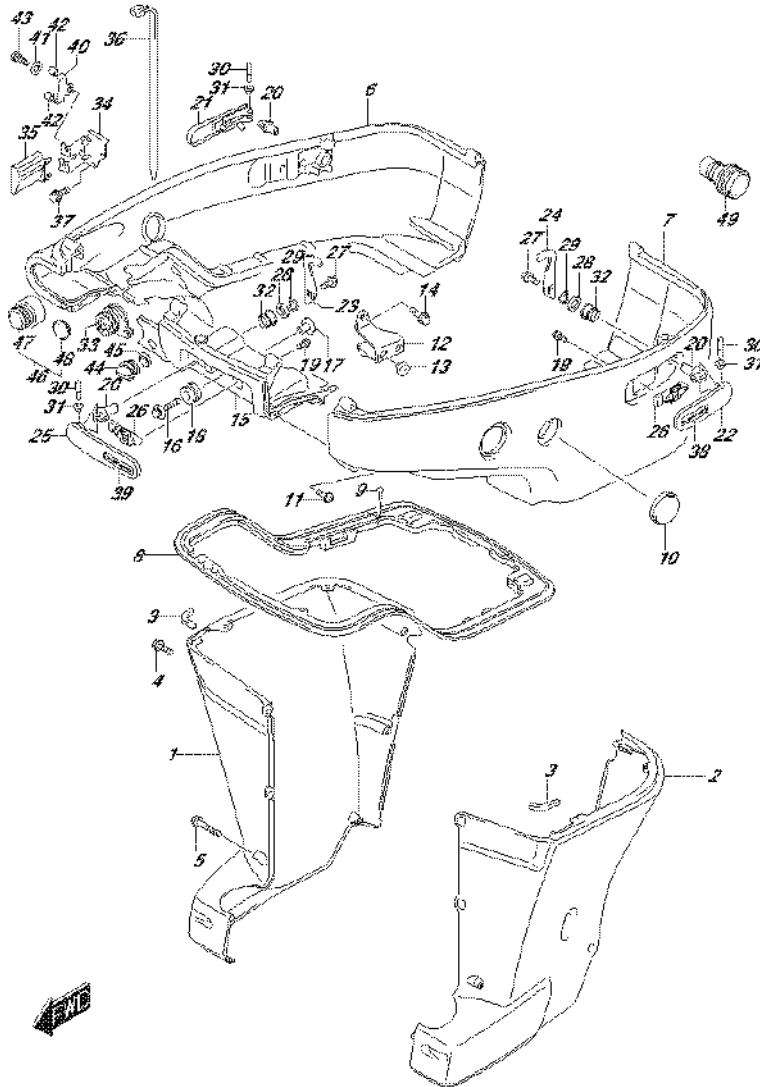


FIG.410C (3-G-12) SIDE COVER TRANSOM(X,XX) (DF200Z E01)

REF NO.	PART NO.	DESCRIPTION	Q'TY	REMARKS
1-1	61131-93J01-0EP	COVER, OIL PAN STBD (BLACK)	1	
1-2	61131-93J01-Y5S	COVER, OIL PAN STBD (WHITE)	1	
2-1	61141-93J01-0EP	COVER, OIL PAN PORT (BLACK)	1	
2-2	61141-93J01-Y5S	COVER, OIL PAN PORT (WHITE)	1	
3	61137-93J00	CUSHION, OIL PAN COV UPPER	2	
4	09139-06135	SCREW (6X17)	5	
5	09139-06136	SCREW (6X65)	3	
6-1	61811-93J40-0EP	COVER, SIDE STBD (BLACK)	1	
6-2	61811-93J40-Y5S	COVER, SIDE STBD (WHITE)	1	
7-1	61821-93J10-0EP	COVER, SIDE PORT (BLACK)	1	
7-2	61821-93J10-Y5S	COVER, SIDE PORT (WHITE)	1	
8	61134-93J20	SEAL, SIDE COVER	1	
9	09409-05302-5PK	CLIP (BLACK)	2	
10	61817-93J00	PLUG, SIDE COVER	2	
11	09136-06148	SCREW (6X35)	8	
12	61827-93J02	HOLDER, SIDE COVER	1	
13	09321-10030	CUSHION	2	
14	01550-08167	BOLT	2	
15-1	61831-93J13-0EP	PANEL, FRONT (BLACK)	1	
15-2	61831-93J13-Y5S	PANEL, FRONT (WHITE)	1	
16	09116-08163	BOLT (8X38)	2	
17	09169-08039	WASHER	2	
18	09320-11013	CUSHION	2	
19	01550-05107	BOLT	6	
20	61632-93J00	SHAFT, ENGINE COVER HOOK	3	
21-1	61633-93J00-0EP	LEVER, HOOK RR STBD (BLACK)	1	
21-2	61633-93J00-Y5S	LEVER, HOOK RR STBD (WHITE)	1	
22-1	61634-93J00-0EP	LEVER, HOOK RR PORT (BLACK)	1	
22-2	61634-93J00-Y5S	LEVER, HOOK RR PORT (WHITE)	1	
23	61641-93J10	HOOK, ENGINE COVER (REAR STBD/FRONT)	2	
24	61641-93J20	HOOK, ENGINE COVER (REAR PORT)	1	
25-1	61645-93J01-0EP	LEVER, HOOK FR (BLACK)	1	
25-2	61645-93J01-Y5S	LEVER, HOOK FR (WHITE)	1	

FIG.410C

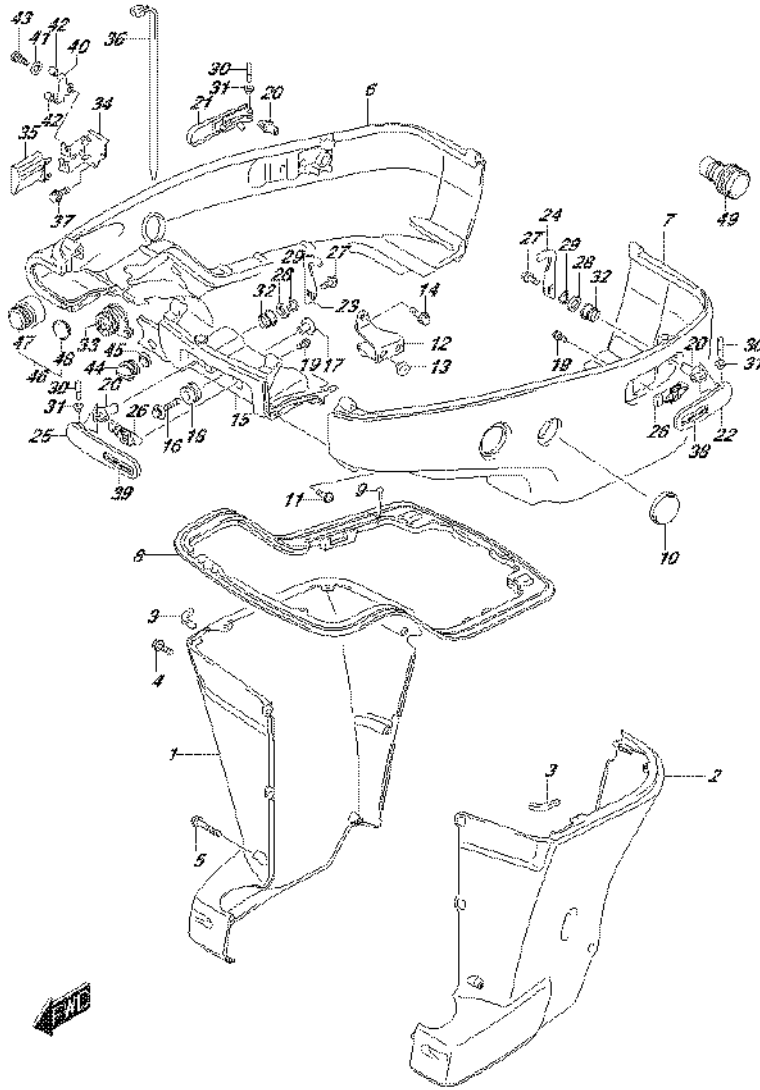


FIG.410C (3-G-13) SIDE COVER TRANSOM(X,XX) (DF200Z E01)

REF NO.	PART NO.	DESCRIPTION	Q'TY	REMARKS
26	61673-93J01	LATCH, HOOK LEVER	3	
27	09116-06127	BOLT (6X12)	3	
28	09160-13014	WASHER (13.2X25X1)	3	
29	09164-14008	WASHER	3	
30	09202-04022	PIN	3	
31	09306-04005	BUSH	6	
32	09306-13007	BUSH	3	
33	61124-93J40	GROMMET, REMOCON CABLE	1	
34	67341-93J20	HOLDER, REMOCON CABLE	1	
35	67345-93J00	PROTECTOR, R/CON CABLE HOLDER	1	
36	09407-25402	CLAMP (L:250)	1	
37	01550-06167	BOLT	2	
38	61639-93J00	LABEL, HOOK LEVER (REAR PORT)	1	
39	61649-93J00	LABEL, HOOK LEVER (REAR STBD / FRONT)	2	
40	67343-93J20	STOPPER, REMOCON CABLE	1	
41	09160-06047	WASHER (6.5X20X2)	1	
42	09352-70103-600	HOSE (7X10.2X600)	2	L:600->14
43	01570-06107	BOLT	1	
44	17913-93J00	PLUG, WATER	1	
45	17914-93J00	GASKET, WATER PLUG	1	
46	67300-93J00	KIT, HOSE ADAPTER	1	OPT
47	67361-93J00	.ADAPTER, HOSE	1	OPT
48	09250-21003	.PLUG (OD:28)	1	OPT
49	17917-87L00	CONNECTOR, FLUSH WATER	1	

FIG.410D

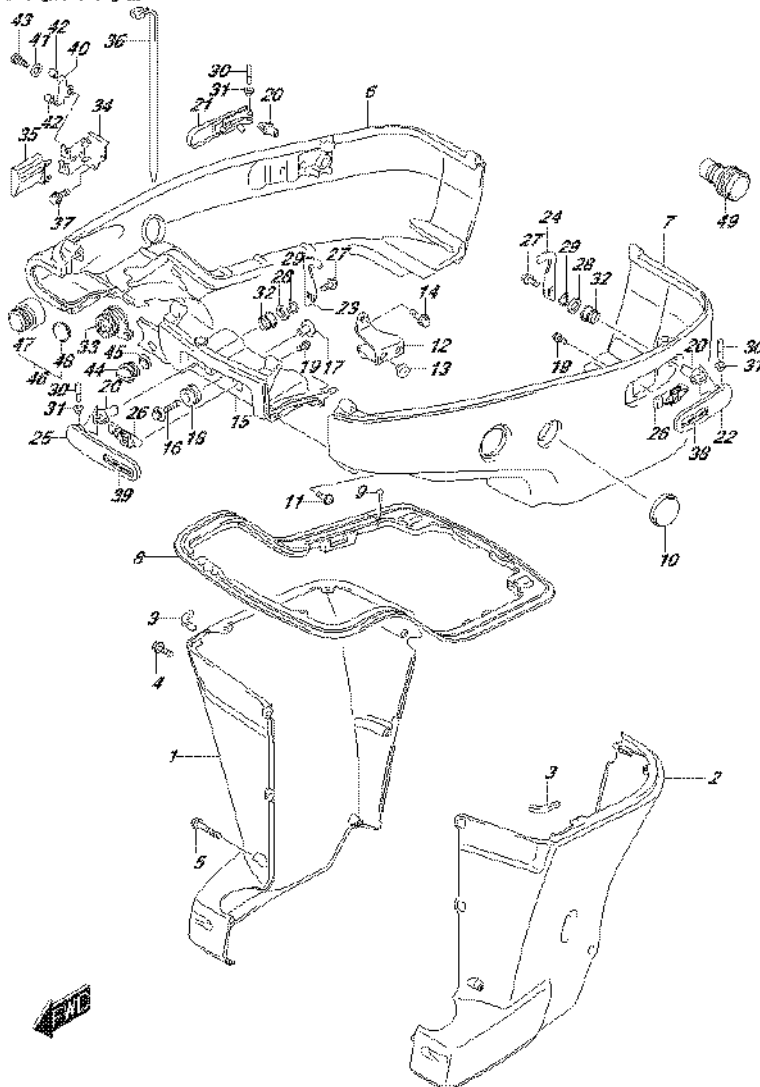


FIG.410D (3-G-14) SIDE COVER TRANSOM(X) (DF200Z E40)

REF NO.	PART NO.	DESCRIPTION	Q'TY	REMARKS
1-1	61131-93J01-0EP	COVER, OIL PAN STBD (BLACK)	1	
1-2	61131-93J01-Y5S	COVER, OIL PAN STBD (WHITE)	1	
2-1	61141-93J01-0EP	COVER, OIL PAN PORT (BLACK)	1	
2-2	61141-93J01-Y5S	COVER, OIL PAN PORT (WHITE)	1	
3	61137-93J00	CUSHION, OIL PAN COV UPPER	2	
4	09139-06135	SCREW (6X17)	5	
5	09139-06136	SCREW (6X65)	3	
6-1	61811-93J40-0EP	COVER, SIDE STBD (BLACK)	1	
6-2	61811-93J40-Y5S	COVER, SIDE STBD (WHITE)	1	
7-1	61821-93J10-0EP	COVER, SIDE PORT (BLACK)	1	
7-2	61821-93J10-Y5S	COVER, SIDE PORT (WHITE)	1	
8	61134-93J20	SEAL, SIDE COVER	1	
9	09409-05302-5PK	CLIP (BLACK)	2	
10	61817-93J00	PLUG, SIDE COVER	2	
11	09136-06148	SCREW (6X35)	8	
12	61827-93J02	HOLDER, SIDE COVER	1	
13	09321-10030	CUSHION	2	
14	01550-08167	BOLT	2	
15-1	61831-93J13-0EP	PANEL, FRONT (BLACK)	1	
15-2	61831-93J13-Y5S	PANEL, FRONT (WHITE)	1	
16	09116-08163	BOLT (8X38)	2	
17	09169-08039	WASHER	2	
18	09320-11013	CUSHION	2	
19	01550-05107	BOLT	6	
20	61632-93J00	SHAFT, ENGINE COVER HOOK	3	
21-1	61633-93J00-0EP	LEVER, HOOK RR STBD (BLACK)	1	
21-2	61633-93J00-Y5S	LEVER, HOOK RR STBD (WHITE)	1	
22-1	61634-93J00-0EP	LEVER, HOOK RR PORT (BLACK)	1	
22-2	61634-93J00-Y5S	LEVER, HOOK RR PORT (WHITE)	1	
23	61641-93J10	HOOK, ENGINE COVER (REAR STBD/FRONT)	2	
24	61641-93J20	HOOK, ENGINE COVER (REAR PORT)	1	
25-1	61645-93J01-0EP	LEVER, HOOK FR (BLACK)	1	
25-2	61645-93J01-Y5S	LEVER, HOOK FR (WHITE)	1	

FIG.410D

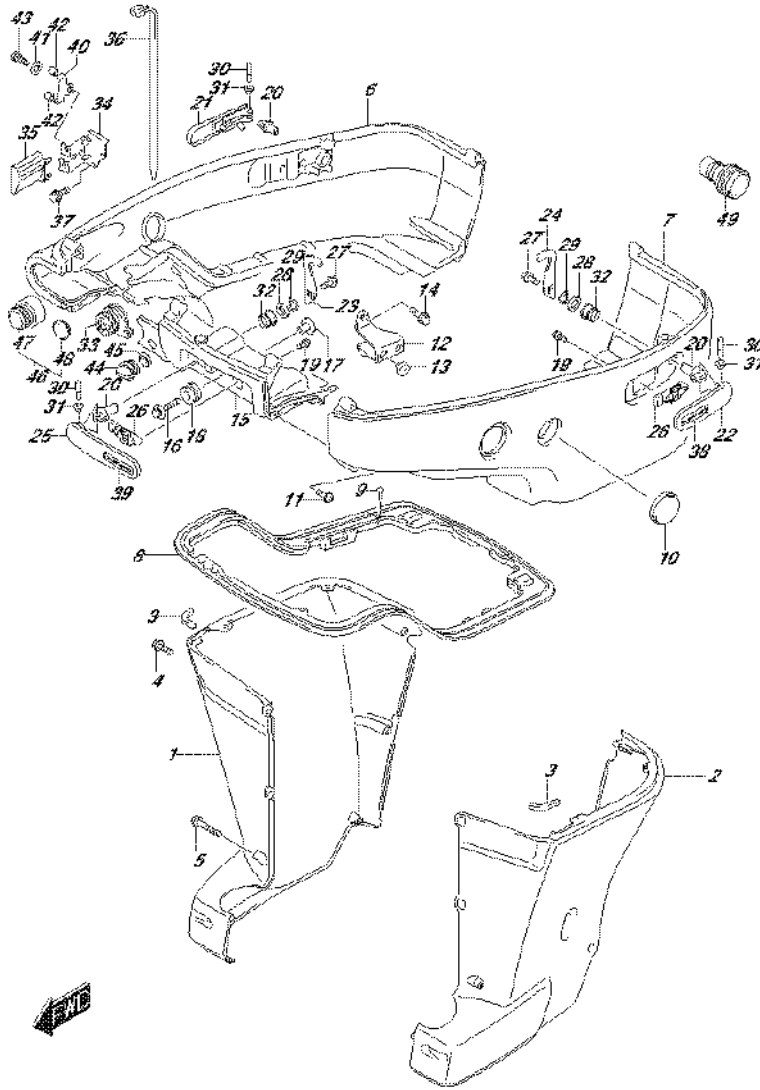


FIG.410D (3-G-15) SIDE COVER TRANSOM(X) (DF200Z E40)

REF NO.	PART NO.	DESCRIPTION	Q'TY	REMARKS
26	61673-93J01	LATCH, HOOK LEVER	3	
27	09116-06127	BOLT (6X12)	3	
28	09160-13014	WASHER (13.2X25X1)	3	
29	09164-14008	WASHER	3	
30	09202-04022	PIN	3	
31	09306-04005	BUSH	6	
32	09306-13007	BUSH	3	
33	61124-93J40	GROMMET, REMOCON CABLE	1	
34	67341-93J20	HOLDER, REMOCON CABLE	1	
35	67345-93J00	PROTECTOR, R/CON CABLE HOLDER	1	
36	09407-25402	CLAMP (L:250)	1	
37	01550-06167	BOLT	2	
38	61639-93J00	LABEL, HOOK LEVER (REAR PORT)	1	
39	61649-93J00	LABEL, HOOK LEVER (REAR STBD / FRONT)	2	
40	67343-93J20	STOPPER, REMOCON CABLE	1	
41	09160-06047	WASHER (6.5X20X2)	1	
42	09352-70103-600	HOSE (7X10.2X600)	2	L:600->14
43	01570-06107	BOLT	1	
44	17913-93J00	PLUG, WATER	1	
45	17914-93J00	GASKET, WATER PLUG	1	
46	67300-93J00	KIT, HOSE ADAPTER	1	OPT
47	67361-93J00	.ADAPTER, HOSE	1	OPT
48	09250-21003	.PLUG (OD:28)	1	OPT
49	17917-87L00	CONNECTOR, FLUSH WATER	1	

FIG.410E

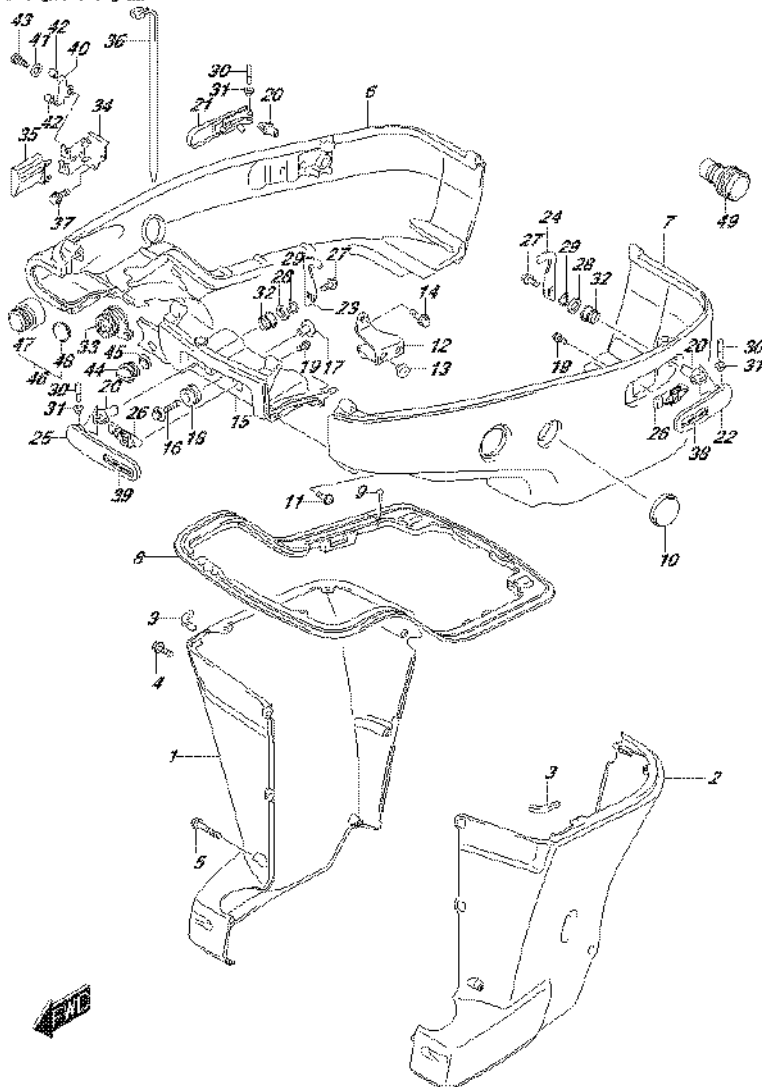


FIG.410E (3-H-2) SIDE COVER TRANSOM(X,XX) (DF225T E01)

REF NO.	PART NO.	DESCRIPTION	Q'TY	REMARKS
1-1	61131-93J01-0EP	COVER, OIL PAN STBD (BLACK)	1	
1-2	61131-93J01-Y5S	COVER, OIL PAN STBD (WHITE)	1	
2-1	61141-93J01-0EP	COVER, OIL PAN PORT (BLACK)	1	
2-2	61141-93J01-Y5S	COVER, OIL PAN PORT (WHITE)	1	
3	61137-93J00	CUSHION, OIL PAN COV UPPER	2	
4	09139-06135	SCREW (6X17)	5	
5	09139-06136	SCREW (6X65)	3	
6-1	61811-93J40-0EP	COVER, SIDE STBD (BLACK)	1	
6-2	61811-93J40-Y5S	COVER, SIDE STBD (WHITE)	1	
7-1	61821-93J10-0EP	COVER, SIDE PORT (BLACK)	1	
7-2	61821-93J10-Y5S	COVER, SIDE PORT (WHITE)	1	
8	61134-93J20	SEAL, SIDE COVER	1	
9	09409-05302-5PK	CLIP (BLACK)	2	
10	61817-93J00	PLUG, SIDE COVER	2	
11	09136-06148	SCREW (6X35)	8	
12	61827-93J02	HOLDER, SIDE COVER	1	
13	09321-10030	CUSHION	2	
14	01550-08167	BOLT	2	
15-1	61831-93J13-0EP	PANEL, FRONT (BLACK)	1	
15-2	61831-93J13-Y5S	PANEL, FRONT (WHITE)	1	
16	09116-08163	BOLT (8X38)	2	
17	09169-08039	WASHER	2	
18	09320-11013	CUSHION	2	
19	01550-05107	BOLT	6	
20	61632-93J00	SHAFT, ENGINE COVER HOOK	3	
21-1	61633-93J00-0EP	LEVER, HOOK RR STBD (BLACK)	1	
21-2	61633-93J00-Y5S	LEVER, HOOK RR STBD (WHITE)	1	
22-1	61634-93J00-0EP	LEVER, HOOK RR PORT (BLACK)	1	
22-2	61634-93J00-Y5S	LEVER, HOOK RR PORT (WHITE)	1	
23	61641-93J10	HOOK, ENGINE COVER (REAR STBD/FRONT)	2	
24	61641-93J20	HOOK, ENGINE COVER (REAR PORT)	1	
25-1	61645-93J01-0EP	LEVER, HOOK FR (BLACK)	1	
25-2	61645-93J01-Y5S	LEVER, HOOK FR (WHITE)	1	

FIG.410E

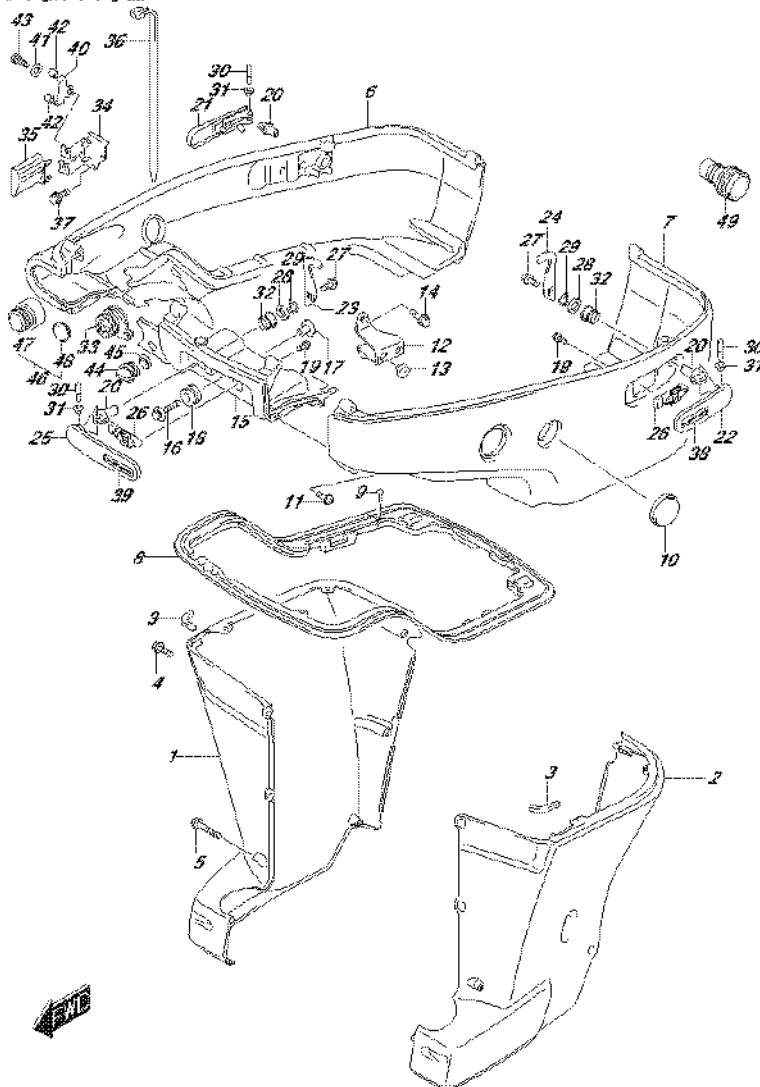


FIG.410E (3-H-3) SIDE COVER TRANSOM(X,XX) (DF225T E01)

REF NO.	PART NO.	DESCRIPTION	Q'TY	REMARKS
26	61673-93J01	LATCH, HOOK LEVER	3	
27	09116-06127	BOLT (6X12)	3	
28	09160-13014	WASHER (13.2X25X1)	3	
29	09164-14008	WASHER	3	
30	09202-04022	PIN	3	
31	09306-04005	BUSH	6	
32	09306-13007	BUSH	3	
33	61124-93J40	GROMMET, REMOCON CABLE	1	
34	67341-93J20	HOLDER, REMOCON CABLE	1	
35	67345-93J00	PROTECTOR, R/CON CABLE HOLDER	1	
36	09407-25402	CLAMP (L:250)	1	
37	01550-06167	BOLT	2	
38	61639-93J00	LABEL, HOOK LEVER (REAR PORT)	1	
39	61649-93J00	LABEL, HOOK LEVER (REAR STBD / FRONT)	2	
40	67343-93J20	STOPPER, REMOCON CABLE	1	
41	09160-06047	WASHER (6.5X20X2)	1	
42	09352-70103-600	HOSE (7X10.2X600)	2	L:600->14
43	01570-06107	BOLT	1	
44	17913-93J00	PLUG, WATER	1	
45	17914-93J00	GASKET, WATER PLUG	1	
46	67300-93J00	KIT, HOSE ADAPTER	1	OPT
47	67361-93J00	.ADAPTER, HOSE	1	OPT
48	09250-21003	.PLUG (OD:28)	1	OPT
49	17917-87L00	CONNECTOR, FLUSH WATER	1	

FIG.410F

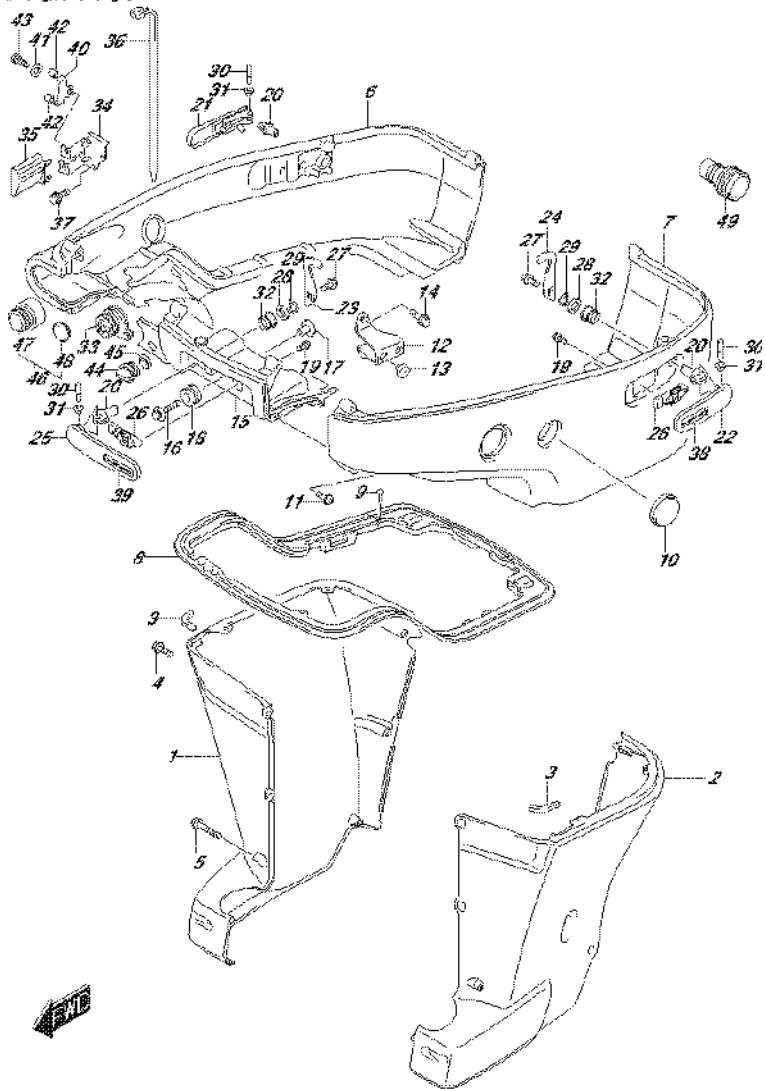


FIG.410F (3-H-4) SIDE COVER TRANSOM(X,XX) (DF225T E40)

REF NO.	PART NO.	DESCRIPTION	Q'TY	REMARKS
1-1	61131-93J01-0EP	COVER, OIL PAN STBD (BLACK)	1	
1-2	61131-93J01-Y5S	COVER, OIL PAN STBD (WHITE)	1	
2-1	61141-93J01-0EP	COVER, OIL PAN PORT (BLACK)	1	
2-2	61141-93J01-Y5S	COVER, OIL PAN PORT (WHITE)	1	
3	61137-93J00	CUSHION, OIL PAN COV UPPER	2	
4	09139-06135	SCREW (6X17)	5	
5	09139-06136	SCREW (6X65)	3	
6-1	61811-93J40-0EP	COVER, SIDE STBD (BLACK)	1	
6-2	61811-93J40-Y5S	COVER, SIDE STBD (WHITE)	1	
7-1	61821-93J10-0EP	COVER, SIDE PORT (BLACK)	1	
7-2	61821-93J10-Y5S	COVER, SIDE PORT (WHITE)	1	
8	61134-93J20	SEAL, SIDE COVER	1	
9	09409-05302-5PK	CLIP (BLACK)	2	
10	61817-93J00	PLUG, SIDE COVER	2	
11	09136-06148	SCREW (6X35)	8	
12	61827-93J02	HOLDER, SIDE COVER	1	
13	09321-10030	CUSHION	2	
14	01550-08167	BOLT	2	
15-1	61831-93J13-0EP	PANEL, FRONT (BLACK)	1	
15-2	61831-93J13-Y5S	PANEL, FRONT (WHITE)	1	
16	09116-08163	BOLT (8X38)	2	
17	09169-08039	WASHER	2	
18	09320-11013	CUSHION	2	
19	01550-05107	BOLT	6	
20	61632-93J00	SHAFT, ENGINE COVER HOOK	3	
21-1	61633-93J00-0EP	LEVER, HOOK RR STBD (BLACK)	1	
21-2	61633-93J00-Y5S	LEVER, HOOK RR STBD (WHITE)	1	
22-1	61634-93J00-0EP	LEVER, HOOK RR PORT (BLACK)	1	
22-2	61634-93J00-Y5S	LEVER, HOOK RR PORT (WHITE)	1	
23	61641-93J10	HOOK, ENGINE COVER (REAR STBD/FRONT)	2	
24	61641-93J20	HOOK, ENGINE COVER (REAR PORT)	1	
25-1	61645-93J01-0EP	LEVER, HOOK FR (BLACK)	1	
25-2	61645-93J01-Y5S	LEVER, HOOK FR (WHITE)	1	

FIG.410F

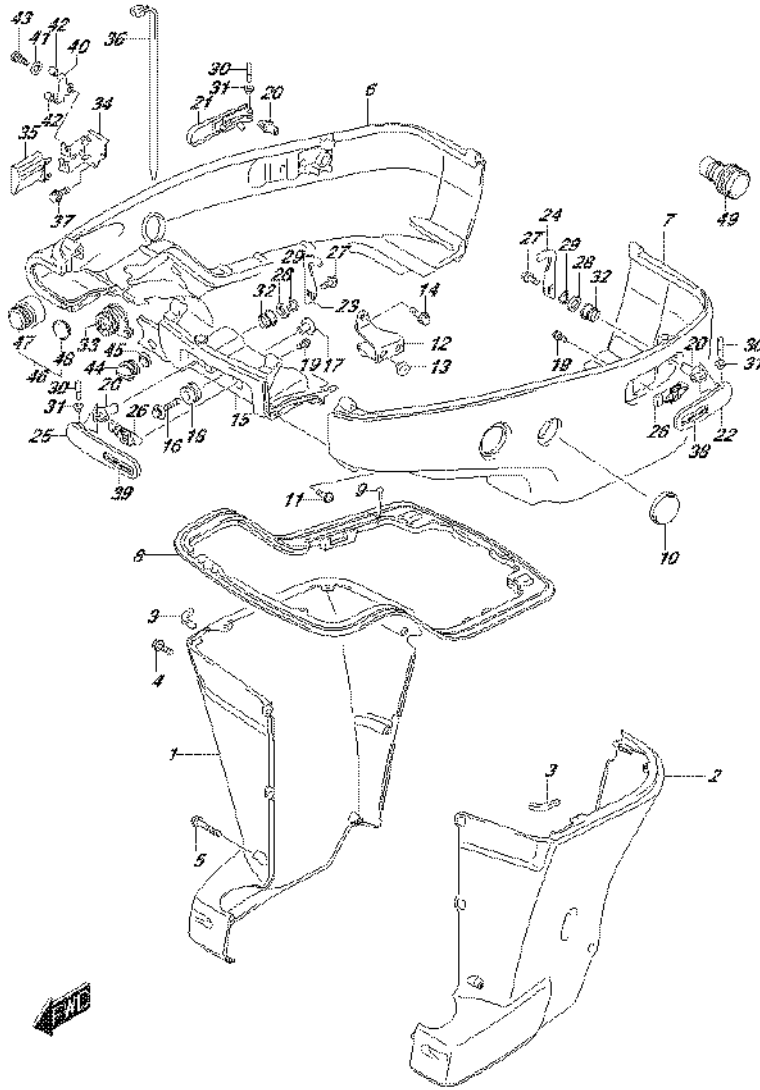


FIG.410F (3-H-5) SIDE COVER TRANSOM(X,XX) (DF225T E40)

REF NO.	PART NO.	DESCRIPTION	Q'TY	REMARKS
26	61673-93J01	LATCH, HOOK LEVER	3	
27	09116-06127	BOLT (6X12)	3	
28	09160-13014	WASHER (13.2X25X1)	3	
29	09164-14008	WASHER	3	
30	09202-04022	PIN	3	
31	09306-04005	BUSH	6	
32	09306-13007	BUSH	3	
33	61124-93J40	GROMMET, REMOCON CABLE	1	
34	67341-93J20	HOLDER, REMOCON CABLE	1	
35	67345-93J00	PROTECTOR, R/CON CABLE HOLDER	1	
36	09407-25402	CLAMP (L:250)	1	
37	01550-06167	BOLT	2	
38	61639-93J00	LABEL, HOOK LEVER (REAR PORT)	1	
39	61649-93J00	LABEL, HOOK LEVER (REAR STBD / FRONT)	2	
40	67343-93J20	STOPPER, REMOCON CABLE	1	
41	09160-06047	WASHER (6.5X20X2)	1	
42	09352-70103-600	HOSE (7X10.2X600)	2	L:600->14
43	01570-06107	BOLT	1	
44	17913-93J00	PLUG, WATER	1	
45	17914-93J00	GASKET, WATER PLUG	1	
46	67300-93J00	KIT, HOSE ADAPTER	1	OPT
47	67361-93J00	.ADAPTER, HOSE	1	OPT
48	09250-21003	.PLUG (OD:28)	1	OPT
49	17917-87L00	CONNECTOR, FLUSH WATER	1	

FIG.410G

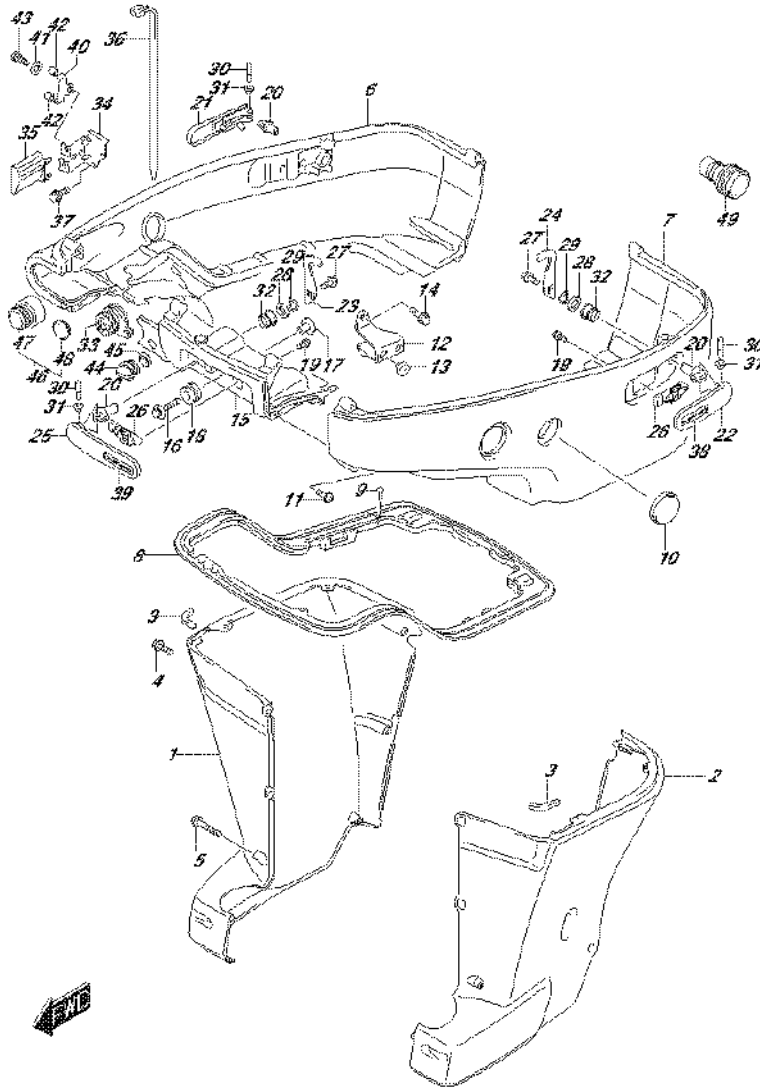


FIG.410G (3-H-6) SIDE COVER TRANSOM(X,XX) (DF225Z E01)

REF NO.	PART NO.	DESCRIPTION	Q'TY	REMARKS
1-1	61131-93J01-0EP	COVER, OIL PAN STBD (BLACK)	1	
1-2	61131-93J01-Y5S	COVER, OIL PAN STBD (WHITE)	1	
2-1	61141-93J01-0EP	COVER, OIL PAN PORT (BLACK)	1	
2-2	61141-93J01-Y5S	COVER, OIL PAN PORT (WHITE)	1	
3	61137-93J00	CUSHION, OIL PAN COV UPPER	2	
4	09139-06135	SCREW (6X17)	5	
5	09139-06136	SCREW (6X65)	3	
6-1	61811-93J40-0EP	COVER, SIDE STBD (BLACK)	1	
6-2	61811-93J40-Y5S	COVER, SIDE STBD (WHITE)	1	
7-1	61821-93J10-0EP	COVER, SIDE PORT (BLACK)	1	
7-2	61821-93J10-Y5S	COVER, SIDE PORT (WHITE)	1	
8	61134-93J20	SEAL, SIDE COVER	1	
9	09409-05302-5PK	CLIP (BLACK)	2	
10	61817-93J00	PLUG, SIDE COVER	2	
11	09136-06148	SCREW (6X35)	8	
12	61827-93J02	HOLDER, SIDE COVER	1	
13	09321-10030	CUSHION	2	
14	01550-08167	BOLT	2	
15-1	61831-93J13-0EP	PANEL, FRONT (BLACK)	1	
15-2	61831-93J13-Y5S	PANEL, FRONT (WHITE)	1	
16	09116-08163	BOLT (8X38)	2	
17	09169-08039	WASHER	2	
18	09320-11013	CUSHION	2	
19	01550-05107	BOLT	6	
20	61632-93J00	SHAFT, ENGINE COVER HOOK	3	
21-1	61633-93J00-0EP	LEVER, HOOK RR STBD (BLACK)	1	
21-2	61633-93J00-Y5S	LEVER, HOOK RR STBD (WHITE)	1	
22-1	61634-93J00-0EP	LEVER, HOOK RR PORT (BLACK)	1	
22-2	61634-93J00-Y5S	LEVER, HOOK RR PORT (WHITE)	1	
23	61641-93J10	HOOK, ENGINE COVER (REAR STBD/FRONT)	2	
24	61641-93J20	HOOK, ENGINE COVER (REAR PORT)	1	
25-1	61645-93J01-0EP	LEVER, HOOK FR (BLACK)	1	
25-2	61645-93J01-Y5S	LEVER, HOOK FR (WHITE)	1	

FIG.410G

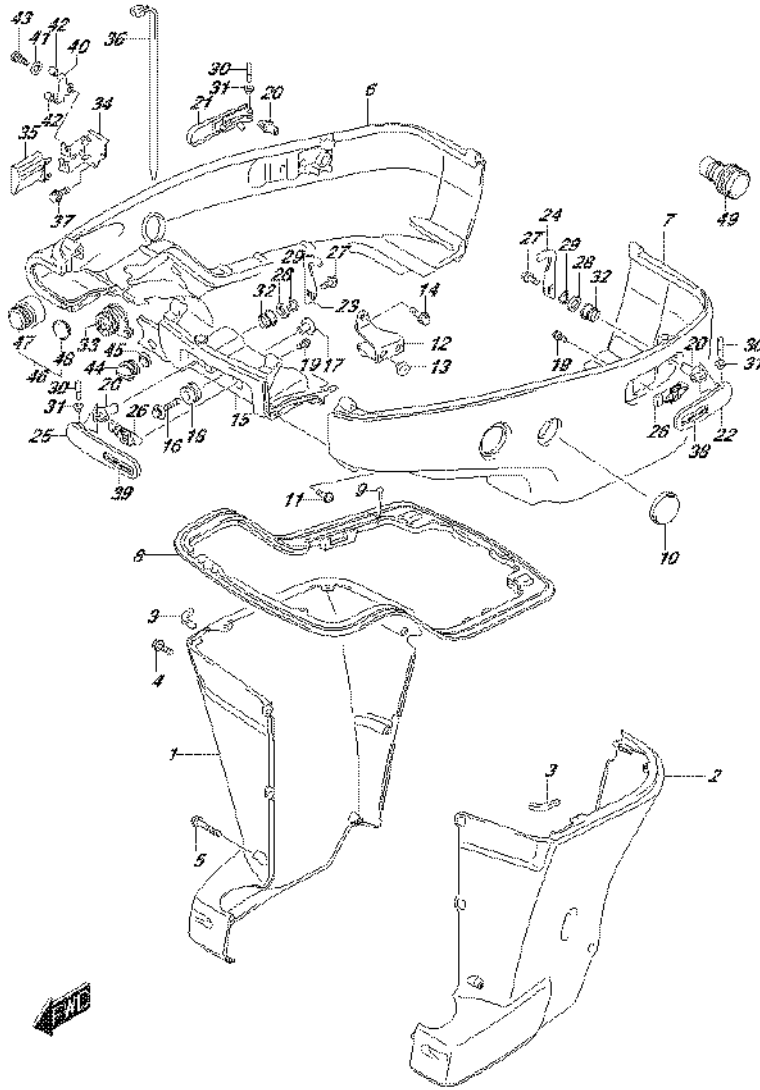


FIG.410G (3-H-7) SIDE COVER TRANSOM(X,XX) (DF225Z E01)

REF NO.	PART NO.	DESCRIPTION	Q'TY	REMARKS
26	61673-93J01	LATCH, HOOK LEVER	3	
27	09116-06127	BOLT (6X12)	3	
28	09160-13014	WASHER (13.2X25X1)	3	
29	09164-14008	WASHER	3	
30	09202-04022	PIN	3	
31	09306-04005	BUSH	6	
32	09306-13007	BUSH	3	
33	61124-93J40	GROMMET, REMOCON CABLE	1	
34	67341-93J20	HOLDER, REMOCON CABLE	1	
35	67345-93J00	PROTECTOR, R/CON CABLE HOLDER	1	
36	09407-25402	CLAMP (L:250)	1	
37	01550-06167	BOLT	2	
38	61639-93J00	LABEL, HOOK LEVER (REAR PORT)	1	
39	61649-93J00	LABEL, HOOK LEVER (REAR STBD / FRONT)	2	
40	67343-93J20	STOPPER, REMOCON CABLE	1	
41	09160-06047	WASHER (6.5X20X2)	1	
42	09352-70103-600	HOSE (7X10.2X600)	2	L:600->14
43	01570-06107	BOLT	1	
44	17913-93J00	PLUG, WATER	1	
45	17914-93J00	GASKET, WATER PLUG	1	
46	67300-93J00	KIT, HOSE ADAPTER	1	OPT
47	67361-93J00	.ADAPTER, HOSE	1	OPT
48	09250-21003	.PLUG (OD:28)	1	OPT
49	17917-87L00	CONNECTOR, FLUSH WATER	1	

FIG.410H

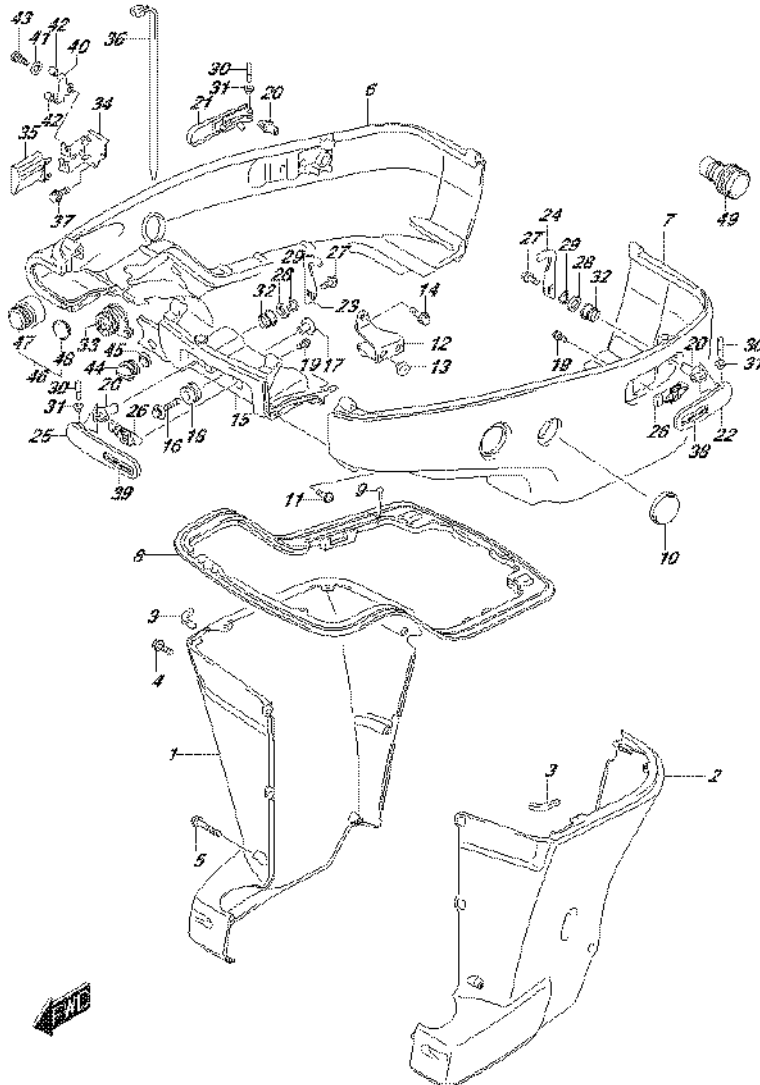


FIG.410H (3-H-8) SIDE COVER TRANSOM(X,XX) (DF225Z E40)

REF NO.	PART NO.	DESCRIPTION	Q'TY	REMARKS
1-1	61131-93J01-0EP	COVER, OIL PAN STBD (BLACK)	1	
1-2	61131-93J01-Y5S	COVER, OIL PAN STBD (WHITE)	1	
2-1	61141-93J01-0EP	COVER, OIL PAN PORT (BLACK)	1	
2-2	61141-93J01-Y5S	COVER, OIL PAN PORT (WHITE)	1	
3	61137-93J00	CUSHION, OIL PAN COV UPPER	2	
4	09139-06135	SCREW (6X17)	5	
5	09139-06136	SCREW (6X65)	3	
6-1	61811-93J40-0EP	COVER, SIDE STBD (BLACK)	1	
6-2	61811-93J40-Y5S	COVER, SIDE STBD (WHITE)	1	
7-1	61821-93J10-0EP	COVER, SIDE PORT (BLACK)	1	
7-2	61821-93J10-Y5S	COVER, SIDE PORT (WHITE)	1	
8	61134-93J20	SEAL, SIDE COVER	1	
9	09409-05302-5PK	CLIP (BLACK)	2	
10	61817-93J00	PLUG, SIDE COVER	2	
11	09136-06148	SCREW (6X35)	8	
12	61827-93J02	HOLDER, SIDE COVER	1	
13	09321-10030	CUSHION	2	
14	01550-08167	BOLT	2	
15-1	61831-93J13-0EP	PANEL, FRONT (BLACK)	1	
15-2	61831-93J13-Y5S	PANEL, FRONT (WHITE)	1	
16	09116-08163	BOLT (8X38)	2	
17	09169-08039	WASHER	2	
18	09320-11013	CUSHION	2	
19	01550-05107	BOLT	6	
20	61632-93J00	SHAFT, ENGINE COVER HOOK	3	
21-1	61633-93J00-0EP	LEVER, HOOK RR STBD (BLACK)	1	
21-2	61633-93J00-Y5S	LEVER, HOOK RR STBD (WHITE)	1	
22-1	61634-93J00-0EP	LEVER, HOOK RR PORT (BLACK)	1	
22-2	61634-93J00-Y5S	LEVER, HOOK RR PORT (WHITE)	1	
23	61641-93J10	HOOK, ENGINE COVER (REAR STBD/FRONT)	2	
24	61641-93J20	HOOK, ENGINE COVER (REAR PORT)	1	
25-1	61645-93J01-0EP	LEVER, HOOK FR (BLACK)	1	
25-2	61645-93J01-Y5S	LEVER, HOOK FR (WHITE)	1	

FIG.410H

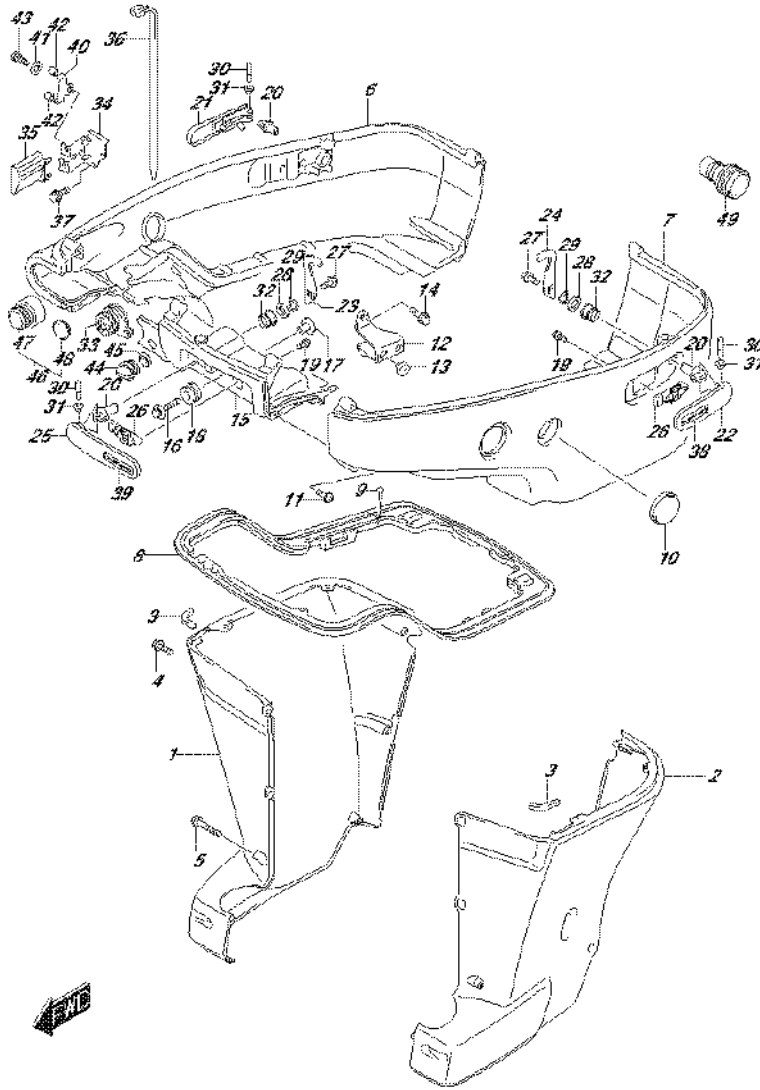


FIG.410H (3-H-9) SIDE COVER TRANSOM(X,XX) (DF225Z E40)

REF NO.	PART NO.	DESCRIPTION	Q'TY	REMARKS
26	61673-93J01	LATCH, HOOK LEVER	3	
27	09116-06127	BOLT (6X12)	3	
28	09160-13014	WASHER (13.2X25X1)	3	
29	09164-14008	WASHER	3	
30	09202-04022	PIN	3	
31	09306-04005	BUSH	6	
32	09306-13007	BUSH	3	
33	61124-93J40	GROMMET, REMOCON CABLE	1	
34	67341-93J20	HOLDER, REMOCON CABLE	1	
35	67345-93J00	PROTECTOR, R/CON CABLE HOLDER	1	
36	09407-25402	CLAMP (L:250)	1	
37	01550-06167	BOLT	2	
38	61639-93J00	LABEL, HOOK LEVER (REAR PORT)	1	
39	61649-93J00	LABEL, HOOK LEVER (REAR STBD / FRONT)	2	
40	67343-93J20	STOPPER, REMOCON CABLE	1	
41	09160-06047	WASHER (6.5X20X2)	1	
42	09352-70103-600	HOSE (7X10.2X600)	2	L:600->14
43	01570-06107	BOLT	1	
44	17913-93J00	PLUG, WATER	1	
45	17914-93J00	GASKET, WATER PLUG	1	
46	67300-93J00	KIT, HOSE ADAPTER	1	OPT
47	67361-93J00	.ADAPTER, HOSE	1	OPT
48	09250-21003	.PLUG (OD:28)	1	OPT
49	17917-87L00	CONNECTOR, FLUSH WATER	1	

FIG.410J

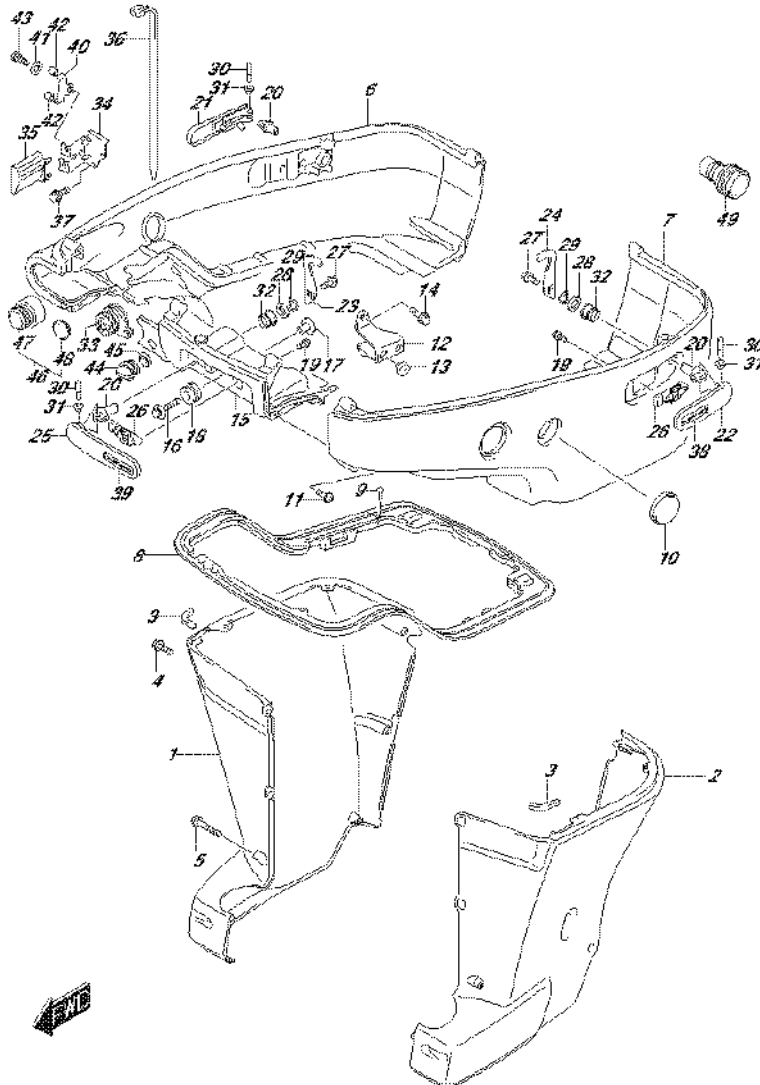


FIG.410J (3-H-10) SIDE COVER TRANSOM(X,XX) (DF250T E01)

REF NO.	PART NO.	DESCRIPTION	Q'TY	REMARKS
1-1	61131-93J01-0EP	COVER, OIL PAN STBD (BLACK)	1	
1-2	61131-93J01-Y5S	COVER, OIL PAN STBD (WHITE)	1	
2-1	61141-93J01-0EP	COVER, OIL PAN PORT (BLACK)	1	
2-2	61141-93J01-Y5S	COVER, OIL PAN PORT (WHITE)	1	
3	61137-93J00	CUSHION, OIL PAN COV UPPER	2	
4	09139-06135	SCREW (6X17)	5	
5	09139-06136	SCREW (6X65)	3	
6-1	61811-93J40-0EP	COVER, SIDE STBD (BLACK)	1	
6-2	61811-93J40-Y5S	COVER, SIDE STBD (WHITE)	1	
7-1	61821-93J10-0EP	COVER, SIDE PORT (BLACK)	1	
7-2	61821-93J10-Y5S	COVER, SIDE PORT (WHITE)	1	
8	61134-93J20	SEAL, SIDE COVER	1	
9	09409-05302-5PK	CLIP (BLACK)	2	
10	61817-93J00	PLUG, SIDE COVER	2	
11	09136-06148	SCREW (6X35)	8	
12	61827-93J02	HOLDER, SIDE COVER	1	
13	09321-10030	CUSHION	2	
14	01550-08167	BOLT	2	
15-1	61831-93J13-0EP	PANEL, FRONT (BLACK)	1	
15-2	61831-93J13-Y5S	PANEL, FRONT (WHITE)	1	
16	09116-08163	BOLT (8X38)	2	
17	09169-08039	WASHER	2	
18	09320-11013	CUSHION	2	
19	01550-05107	BOLT	6	
20	61632-93J00	SHAFT, ENGINE COVER HOOK	3	
21-1	61633-93J00-0EP	LEVER, HOOK RR STBD (BLACK)	1	
21-2	61633-93J00-Y5S	LEVER, HOOK RR STBD (WHITE)	1	
22-1	61634-93J00-0EP	LEVER, HOOK RR PORT (BLACK)	1	
22-2	61634-93J00-Y5S	LEVER, HOOK RR PORT (WHITE)	1	
23	61641-93J10	HOOK, ENGINE COVER (REAR STBD/FRONT)	2	
24	61641-93J20	HOOK, ENGINE COVER (REAR PORT)	1	
25-1	61645-93J01-0EP	LEVER, HOOK FR (BLACK)	1	
25-2	61645-93J01-Y5S	LEVER, HOOK FR (WHITE)	1	

FIG.410J

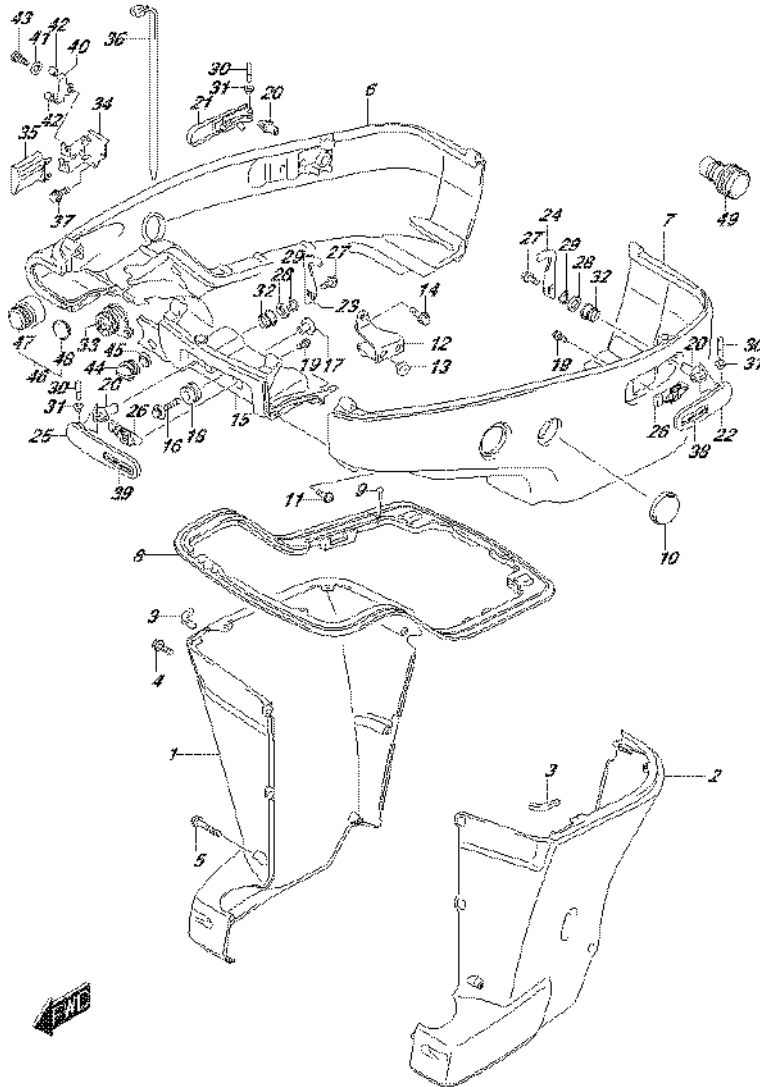


FIG.410J (3-H-11) SIDE COVER TRANSOM(X,XX) (DF250T E01)

REF NO.	PART NO.	DESCRIPTION	Q'TY	REMARKS
26	61673-93J01	LATCH, HOOK LEVER	3	
27	09116-06127	BOLT (6X12)	3	
28	09160-13014	WASHER (13.2X25X1)	3	
29	09164-14008	WASHER	3	
30	09202-04022	PIN	3	
31	09306-04005	BUSH	6	
32	09306-13007	BUSH	3	
33	61124-93J40	GROMMET, REMOCON CABLE	1	
34	67341-93J20	HOLDER, REMOCON CABLE	1	
35	67345-93J00	PROTECTOR, R/CON CABLE HOLDER	1	
36	09407-25402	CLAMP (L:250)	1	
37	01550-06167	BOLT	2	
38	61639-93J00	LABEL, HOOK LEVER (REAR PORT)	1	
39	61649-93J00	LABEL, HOOK LEVER (REAR STBD / FRONT)	2	
40	67343-93J20	STOPPER, REMOCON CABLE	1	
41	09160-06047	WASHER (6.5X20X2)	1	
42	09352-70103-600	HOSE (7X10.2X600)	2	L:600->14
43	01570-06107	BOLT	1	
44	17913-93J00	PLUG, WATER	1	
45	17914-93J00	GASKET, WATER PLUG	1	
46	67300-93J00	KIT, HOSE ADAPTER	1	OPT
47	67361-93J00	.ADAPTER, HOSE	1	OPT
48	09250-21003	.PLUG (OD:28)	1	OPT
49	17917-87L00	CONNECTOR, FLUSH WATER	1	

FIG.410K

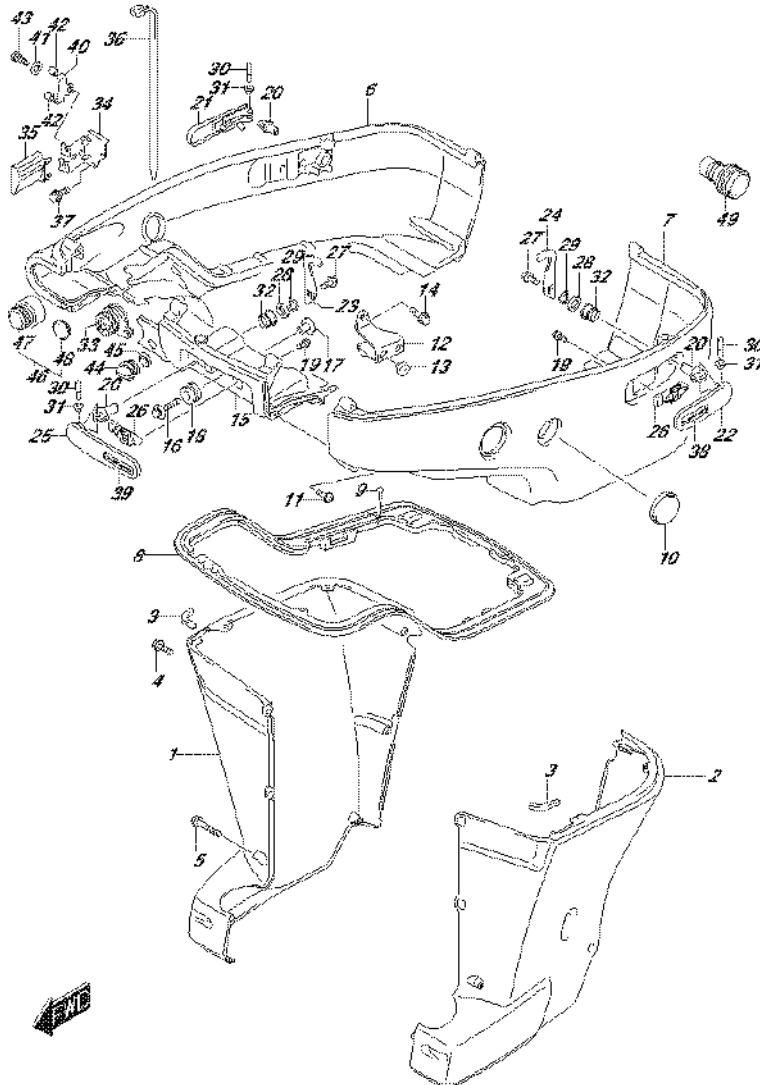


FIG.410K (3-H-12) SIDE COVER TRANSOM(X,XX) (DF250T E40)

REF NO.	PART NO.	DESCRIPTION	Q'TY	REMARKS
1-1	61131-93J01-0EP	COVER, OIL PAN STBD (BLACK)	1	
1-2	61131-93J01-Y5S	COVER, OIL PAN STBD (WHITE)	1	
2-1	61141-93J01-0EP	COVER, OIL PAN PORT (BLACK)	1	
2-2	61141-93J01-Y5S	COVER, OIL PAN PORT (WHITE)	1	
3	61137-93J00	CUSHION, OIL PAN COV UPPER	2	
4	09139-06135	SCREW (6X17)	5	
5	09139-06136	SCREW (6X65)	3	
6-1	61811-93J40-0EP	COVER, SIDE STBD (BLACK)	1	
6-2	61811-93J40-Y5S	COVER, SIDE STBD (WHITE)	1	
7-1	61821-93J10-0EP	COVER, SIDE PORT (BLACK)	1	
7-2	61821-93J10-Y5S	COVER, SIDE PORT (WHITE)	1	
8	61134-93J20	SEAL, SIDE COVER	1	
9	09409-05302-5PK	CLIP (BLACK)	2	
10	61817-93J00	PLUG, SIDE COVER	2	
11	09136-06148	SCREW (6X35)	8	
12	61827-93J02	HOLDER, SIDE COVER	1	
13	09321-10030	CUSHION	2	
14	01550-08167	BOLT	2	
15-1	61831-93J13-0EP	PANEL, FRONT (BLACK)	1	
15-2	61831-93J13-Y5S	PANEL, FRONT (WHITE)	1	
16	09116-08163	BOLT (8X38)	2	
17	09169-08039	WASHER	2	
18	09320-11013	CUSHION	2	
19	01550-05107	BOLT	6	
20	61632-93J00	SHAFT, ENGINE COVER HOOK	3	
21-1	61633-93J00-0EP	LEVER, HOOK RR STBD (BLACK)	1	
21-2	61633-93J00-Y5S	LEVER, HOOK RR STBD (WHITE)	1	
22-1	61634-93J00-0EP	LEVER, HOOK RR PORT (BLACK)	1	
22-2	61634-93J00-Y5S	LEVER, HOOK RR PORT (WHITE)	1	
23	61641-93J10	HOOK, ENGINE COVER (REAR STBD/FRONT)	2	
24	61641-93J20	HOOK, ENGINE COVER (REAR PORT)	1	
25-1	61645-93J01-0EP	LEVER, HOOK FR (BLACK)	1	
25-2	61645-93J01-Y5S	LEVER, HOOK FR (WHITE)	1	

FIG.410K

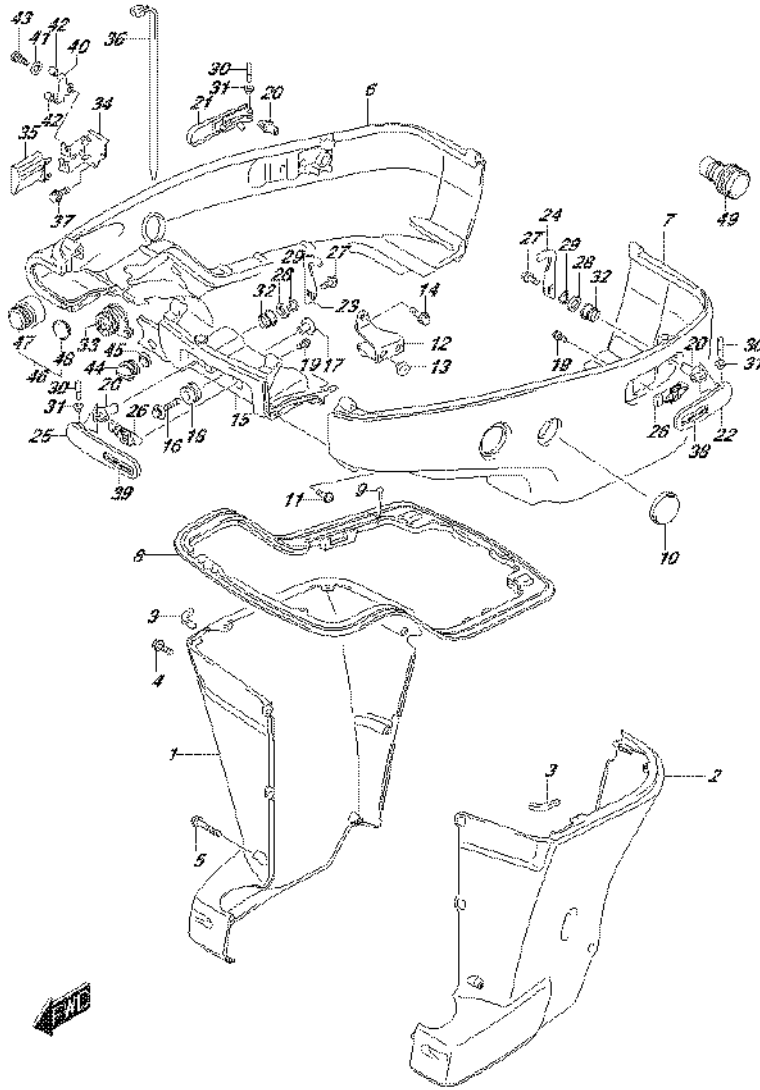


FIG.410K (3-H-13) SIDE COVER TRANSOM(X,XX) (DF250T E40)

REF NO.	PART NO.	DESCRIPTION	Q'TY	REMARKS
26	61673-93J01	LATCH, HOOK LEVER	3	
27	09116-06127	BOLT (6X12)	3	
28	09160-13014	WASHER (13.2X25X1)	3	
29	09164-14008	WASHER	3	
30	09202-04022	PIN	3	
31	09306-04005	BUSH	6	
32	09306-13007	BUSH	3	
33	61124-93J40	GROMMET, REMOCON CABLE	1	
34	67341-93J20	HOLDER, REMOCON CABLE	1	
35	67345-93J00	PROTECTOR, R/CON CABLE HOLDER	1	
36	09407-25402	CLAMP (L:250)	1	
37	01550-06167	BOLT	2	
38	61639-93J00	LABEL, HOOK LEVER (REAR PORT)	1	
39	61649-93J00	LABEL, HOOK LEVER (REAR STBD / FRONT)	2	
40	67343-93J20	STOPPER, REMOCON CABLE	1	
41	09160-06047	WASHER (6.5X20X2)	1	
42	09352-70103-600	HOSE (7X10.2X600)	2	L:600->14
43	01570-06107	BOLT	1	
44	17913-93J00	PLUG, WATER	1	
45	17914-93J00	GASKET, WATER PLUG	1	
46	67300-93J00	KIT, HOSE ADAPTER	1	OPT
47	67361-93J00	.ADAPTER, HOSE	1	OPT
48	09250-21003	.PLUG (OD:28)	1	OPT
49	17917-87L00	CONNECTOR, FLUSH WATER	1	

FIG.410L

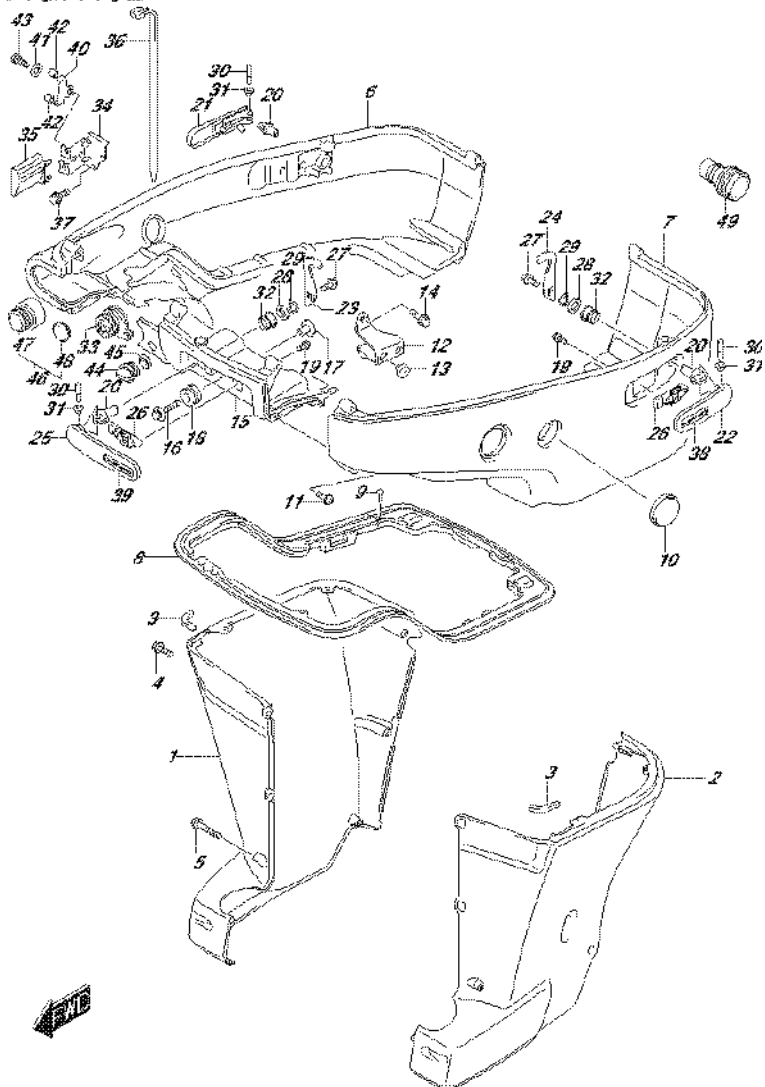


FIG.410L (3-H-14) SIDE COVER TRANSOM(X,XX) (DF250Z E01)

REF NO.	PART NO.	DESCRIPTION	Q'TY	REMARKS
1-1	61131-93J01-0EP	COVER, OIL PAN STBD (BLACK)	1	
1-2	61131-93J01-Y5S	COVER, OIL PAN STBD (WHITE)	1	
2-1	61141-93J01-0EP	COVER, OIL PAN PORT (BLACK)	1	
2-2	61141-93J01-Y5S	COVER, OIL PAN PORT (WHITE)	1	
3	61137-93J00	CUSHION, OIL PAN COV UPPER	2	
4	09139-06135	SCREW (6X17)	5	
5	09139-06136	SCREW (6X65)	3	
6-1	61811-93J40-0EP	COVER, SIDE STBD (BLACK)	1	
6-2	61811-93J40-Y5S	COVER, SIDE STBD (WHITE)	1	
7-1	61821-93J10-0EP	COVER, SIDE PORT (BLACK)	1	
7-2	61821-93J10-Y5S	COVER, SIDE PORT (WHITE)	1	
8	61134-93J20	SEAL, SIDE COVER	1	
9	09409-05302-5PK	CLIP (BLACK)	2	
10	61817-93J00	PLUG, SIDE COVER	2	
11	09136-06148	SCREW (6X35)	8	
12	61827-93J02	HOLDER, SIDE COVER	1	
13	09321-10030	CUSHION	2	
14	01550-08167	BOLT	2	
15-1	61831-93J13-0EP	PANEL, FRONT (BLACK)	1	
15-2	61831-93J13-Y5S	PANEL, FRONT (WHITE)	1	
16	09116-08163	BOLT (8X38)	2	
17	09169-08039	WASHER	2	
18	09320-11013	CUSHION	2	
19	01550-05107	BOLT	6	
20	61632-93J00	SHAFT, ENGINE COVER HOOK	3	
21-1	61633-93J00-0EP	LEVER, HOOK RR STBD (BLACK)	1	
21-2	61633-93J00-Y5S	LEVER, HOOK RR STBD (WHITE)	1	
22-1	61634-93J00-0EP	LEVER, HOOK RR PORT (BLACK)	1	
22-2	61634-93J00-Y5S	LEVER, HOOK RR PORT (WHITE)	1	
23	61641-93J10	HOOK, ENGINE COVER (REAR STBD/FRONT)	2	
24	61641-93J20	HOOK, ENGINE COVER (REAR PORT)	1	
25-1	61645-93J01-0EP	LEVER, HOOK FR (BLACK)	1	
25-2	61645-93J01-Y5S	LEVER, HOOK FR (WHITE)	1	

FIG.410L

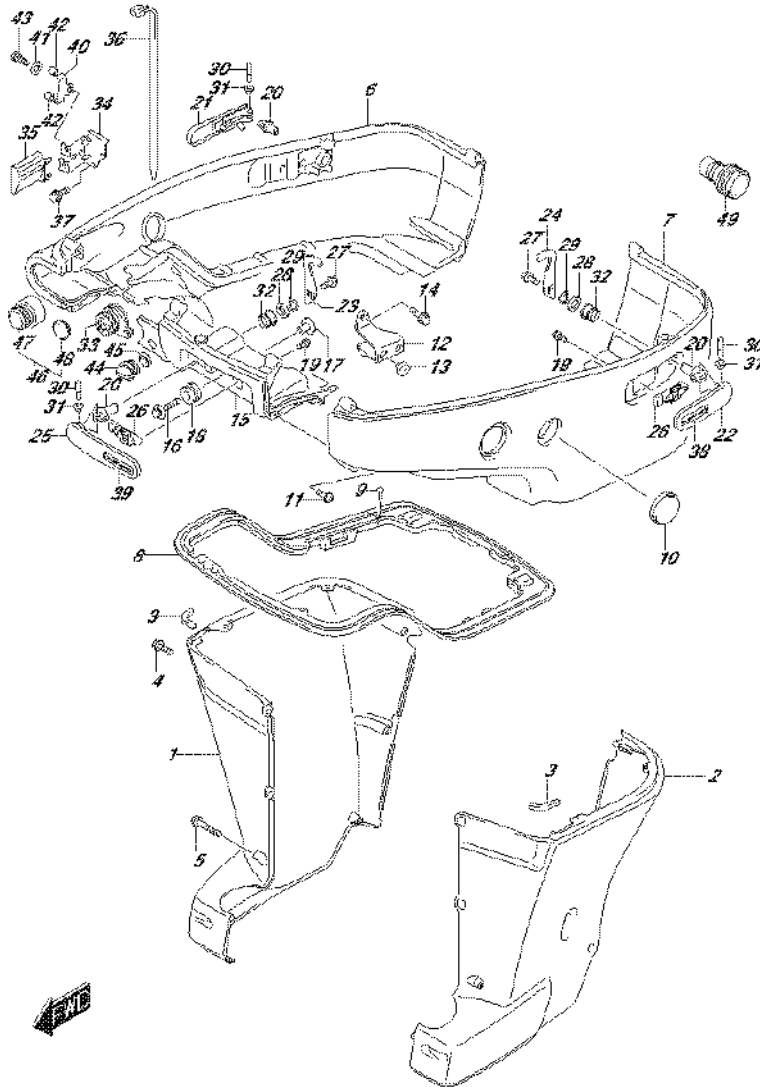


FIG.410L (3-H-15) SIDE COVER TRANSOM(X,XX) (DF250Z E01)

REF NO.	PART NO.	DESCRIPTION	Q'TY	REMARKS
26	61673-93J01	LATCH, HOOK LEVER	3	
27	09116-06127	BOLT (6X12)	3	
28	09160-13014	WASHER (13.2X25X1)	3	
29	09164-14008	WASHER	3	
30	09202-04022	PIN	3	
31	09306-04005	BUSH	6	
32	09306-13007	BUSH	3	
33	61124-93J40	GROMMET, REMOCON CABLE	1	
34	67341-93J20	HOLDER, REMOCON CABLE	1	
35	67345-93J00	PROTECTOR, R/CON CABLE HOLDER	1	
36	09407-25402	CLAMP (L:250)	1	
37	01550-06167	BOLT	2	
38	61639-93J00	LABEL, HOOK LEVER (REAR PORT)	1	
39	61649-93J00	LABEL, HOOK LEVER (REAR STBD / FRONT)	2	
40	67343-93J20	STOPPER, REMOCON CABLE	1	
41	09160-06047	WASHER (6.5X20X2)	1	
42	09352-70103-600	HOSE (7X10.2X600)	2	L:600->14
43	01570-06107	BOLT	1	
44	17913-93J00	PLUG, WATER	1	
45	17914-93J00	GASKET, WATER PLUG	1	
46	67300-93J00	KIT, HOSE ADAPTER	1	OPT
47	67361-93J00	.ADAPTER, HOSE	1	OPT
48	09250-21003	.PLUG (OD:28)	1	OPT
49	17917-87L00	CONNECTOR, FLUSH WATER	1	

FIG.410M

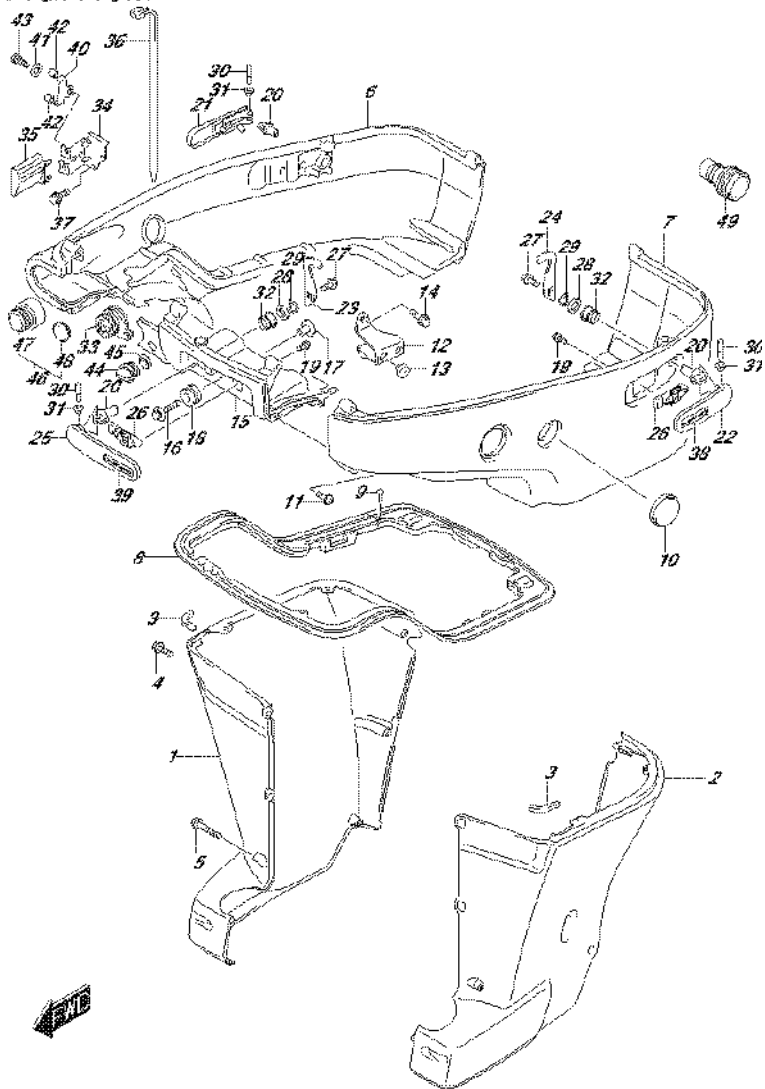


FIG.410M (3-I-2) SIDE COVER TRANSOM(X,XX) (DF250Z E40)

REF NO.	PART NO.	DESCRIPTION	Q'TY	REMARKS
1-1	61131-93J01-0EP	COVER, OIL PAN STBD (BLACK)	1	
1-2	61131-93J01-Y5S	COVER, OIL PAN STBD (WHITE)	1	
2-1	61141-93J01-0EP	COVER, OIL PAN PORT (BLACK)	1	
2-2	61141-93J01-Y5S	COVER, OIL PAN PORT (WHITE)	1	
3	61137-93J00	CUSHION, OIL PAN COV UPPER	2	
4	09139-06135	SCREW (6X17)	5	
5	09139-06136	SCREW (6X65)	3	
6-1	61811-93J40-0EP	COVER, SIDE STBD (BLACK)	1	
6-2	61811-93J40-Y5S	COVER, SIDE STBD (WHITE)	1	
7-1	61821-93J10-0EP	COVER, SIDE PORT (BLACK)	1	
7-2	61821-93J10-Y5S	COVER, SIDE PORT (WHITE)	1	
8	61134-93J20	SEAL, SIDE COVER	1	
9	09409-05302-5PK	CLIP (BLACK)	2	
10	61817-93J00	PLUG, SIDE COVER	2	
11	09136-06148	SCREW (6X35)	8	
12	61827-93J02	HOLDER, SIDE COVER	1	
13	09321-10030	CUSHION	2	
14	01550-08167	BOLT	2	
15-1	61831-93J13-0EP	PANEL, FRONT (BLACK)	1	
15-2	61831-93J13-Y5S	PANEL, FRONT (WHITE)	1	
16	09116-08163	BOLT (8X38)	2	
17	09169-08039	WASHER	2	
18	09320-11013	CUSHION	2	
19	01550-05107	BOLT	6	
20	61632-93J00	SHAFT, ENGINE COVER HOOK	3	
21-1	61633-93J00-0EP	LEVER, HOOK RR STBD (BLACK)	1	
21-2	61633-93J00-Y5S	LEVER, HOOK RR STBD (WHITE)	1	
22-1	61634-93J00-0EP	LEVER, HOOK RR PORT (BLACK)	1	
22-2	61634-93J00-Y5S	LEVER, HOOK RR PORT (WHITE)	1	
23	61641-93J10	HOOK, ENGINE COVER (REAR STBD/FRONT)	2	
24	61641-93J20	HOOK, ENGINE COVER (REAR PORT)	1	
25-1	61645-93J01-0EP	LEVER, HOOK FR (BLACK)	1	
25-2	61645-93J01-Y5S	LEVER, HOOK FR (WHITE)	1	

FIG.410M

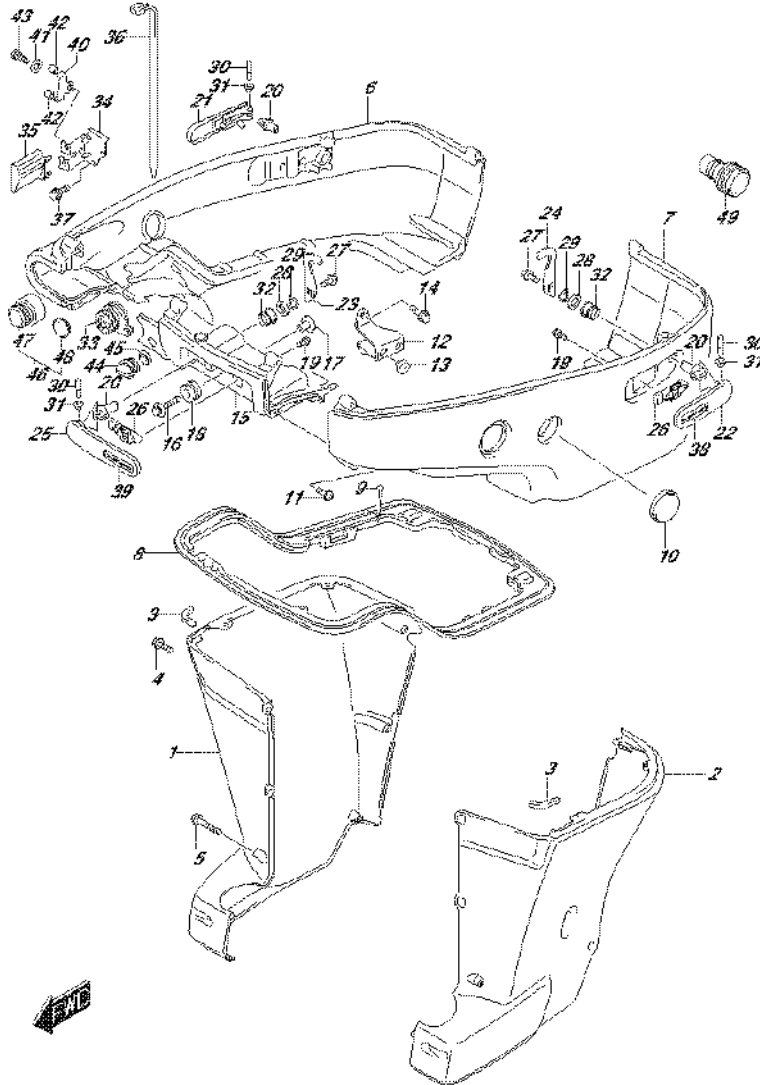
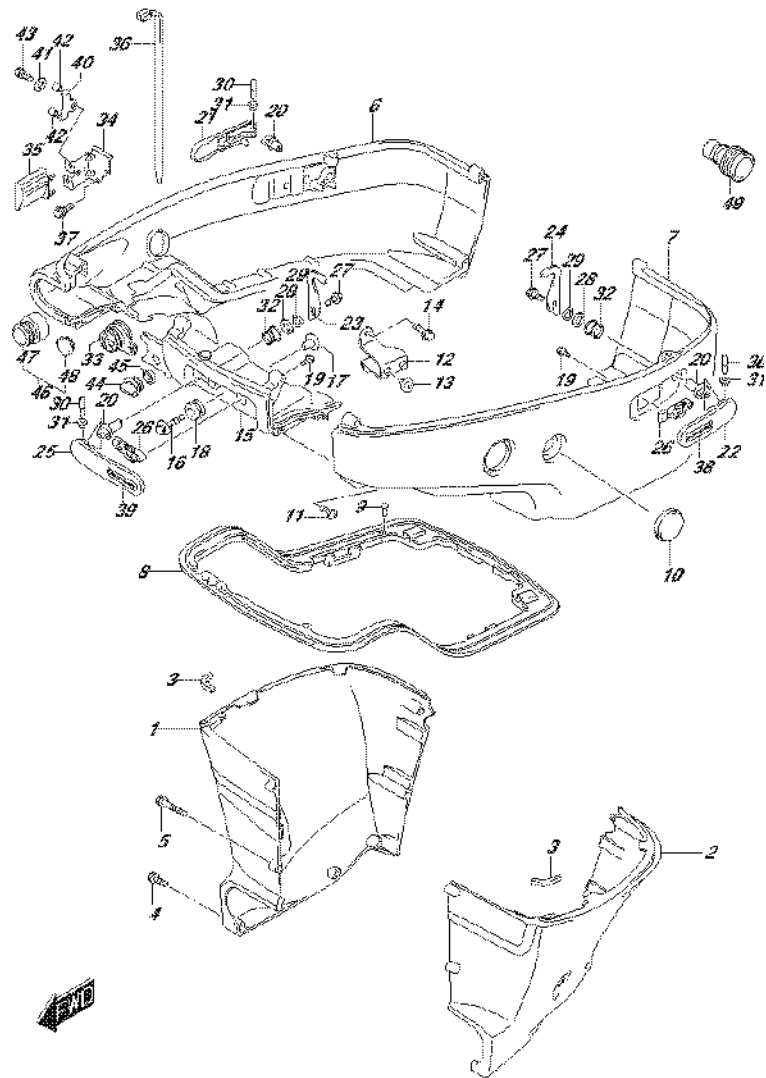


FIG.410M (3-I-3) SIDE COVER TRANSOM(X,XX) (DF250Z E40)

REF NO.	PART NO.	DESCRIPTION	Q'TY	REMARKS
26	61673-93J01	LATCH, HOOK LEVER	3	
27	09116-06127	BOLT (6X12)	3	
28	09160-13014	WASHER (13.2X25X1)	3	
29	09164-14008	WASHER	3	
30	09202-04022	PIN	3	
31	09306-04005	BUSH	6	
32	09306-13007	BUSH	3	
33	61124-93J40	GROMMET, REMOCON CABLE	1	
34	67341-93J20	HOLDER, REMOCON CABLE	1	
35	67345-93J00	PROTECTOR, R/CON CABLE HOLDER	1	
36	09407-25402	CLAMP (L:250)	1	
37	01550-06167	BOLT	2	
38	61639-93J00	LABEL, HOOK LEVER (REAR PORT)	1	
39	61649-93J00	LABEL, HOOK LEVER (REAR STBD / FRONT)	2	
40	67343-93J20	STOPPER, REMOCON CABLE	1	
41	09160-06047	WASHER (6.5X20X2)	1	
42	09352-70103-600	HOSE (7X10.2X600)	2	L:600->14
43	01570-06107	BOLT	1	
44	17913-93J00	PLUG, WATER	1	
45	17914-93J00	GASKET, WATER PLUG	1	
46	67300-93J00	KIT, HOSE ADAPTER	1	OPT
47	67361-93J00	.ADAPTER, HOSE	1	OPT
48	09250-21003	.PLUG (OD:28)	1	OPT
49	17917-87L00	CONNECTOR, FLUSH WATER	1	

FIG.410N



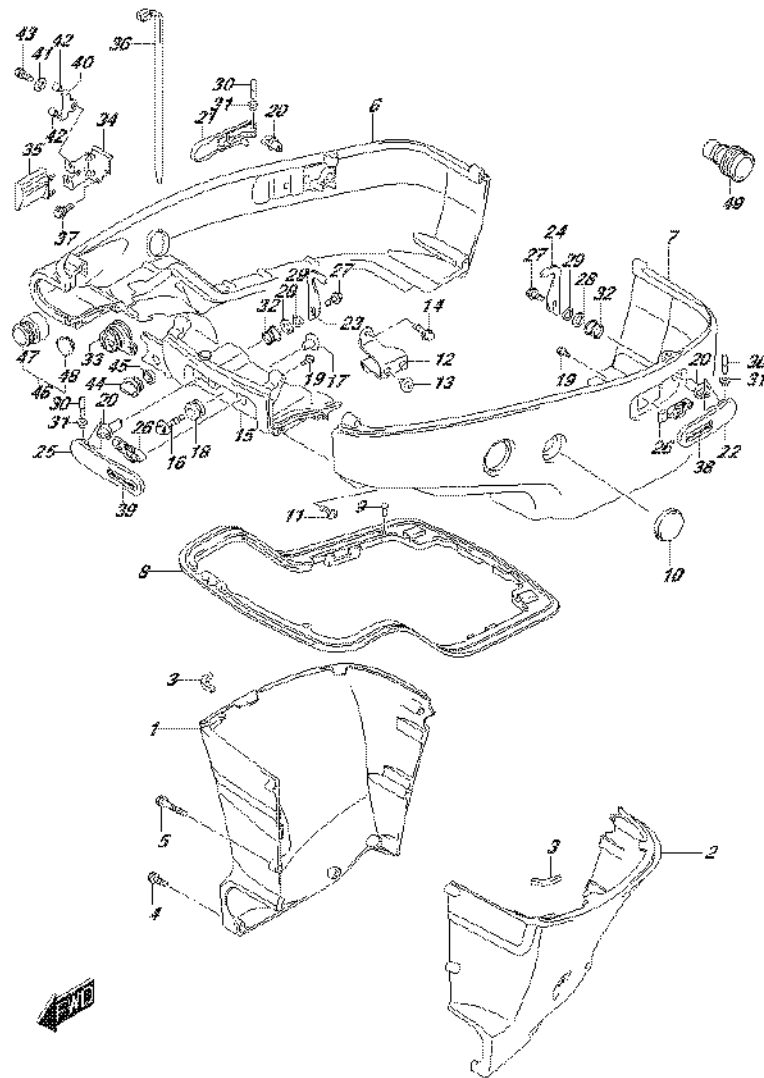
DF200_E01_016_410N
SIDE COVER

FIG.410N (3-I-4) SIDE COVER TRANSOM(L) (DF200T E01)

REF NO.	PART NO.	DESCRIPTION	Q'TY	REMARKS
1-1	61131-93J20-0EP	COVER, OIL PAN STBD (BLACK)	1	
1-2	61131-93J20-Y5S	COVER, OIL PAN STBD (WHITE)	1	
2-1	61141-93J20-0EP	COVER, OIL PAN PORT (BLACK)	1	
2-2	61141-93J20-Y5S	COVER, OIL PAN PORT (WHITE)	1	
3	61137-93J00	CUSHION, OIL PAN COV UPPER	2	
4	09136-06161	SCREW (6X17)	8	
5	09136-06148	SCREW (6X35)	3	
6-1	61811-93J30-0EP	COVER, SIDE STBD (BLACK)	1	
6-2	61811-93J30-Y5S	COVER, SIDE STBD (WHITE)	1	
7-1	61821-93J10-0EP	COVER, SIDE PORT (BLACK)	1	
7-2	61821-93J10-Y5S	COVER, SIDE PORT (WHITE)	1	
8	61134-93J20	SEAL, SIDE COVER	1	
9	09409-05302-5PK	CLIP (BLACK)	2	
10	61817-93J00	PLUG, SIDE COVER	2	
11	09136-06148	SCREW (6X35)	8	
12	61827-93J02	HOLDER, SIDE COVER	1	
13	09321-10030	CUSHION	2	
14	01550-08167	BOLT	2	
15-1	61831-93J13-0EP	PANEL, FRONT (BLACK)	1	
15-2	61831-93J13-Y5S	PANEL, FRONT (WHITE)	1	
16	09116-08163	BOLT (8X38)	2	
17	09169-08039	WASHER	2	
18	09320-11013	CUSHION	2	
19	01550-05107	BOLT	6	
20	61632-93J00	SHAFT, ENGINE COVER HOOK	3	
21-1	61633-93J00-0EP	LEVER, HOOK RR STBD (BLACK)	1	
21-2	61633-93J00-Y5S	LEVER, HOOK RR STBD (WHITE)	1	
22-1	61634-93J00-0EP	LEVER, HOOK RR PORT (BLACK)	1	
22-2	61634-93J00-Y5S	LEVER, HOOK RR PORT (WHITE)	1	
23	61641-93J10	HOOK, ENGINE COVER (REAR STBD/FRONT)	2	
24	61641-93J20	HOOK, ENGINE COVER (REAR PORT)	1	
25-1	61645-93J01-0EP	LEVER, HOOK FR (BLACK)	1	
25-2	61645-93J01-Y5S	LEVER, HOOK FR (WHITE)	1	

DF250_E01_016

FIG.410N



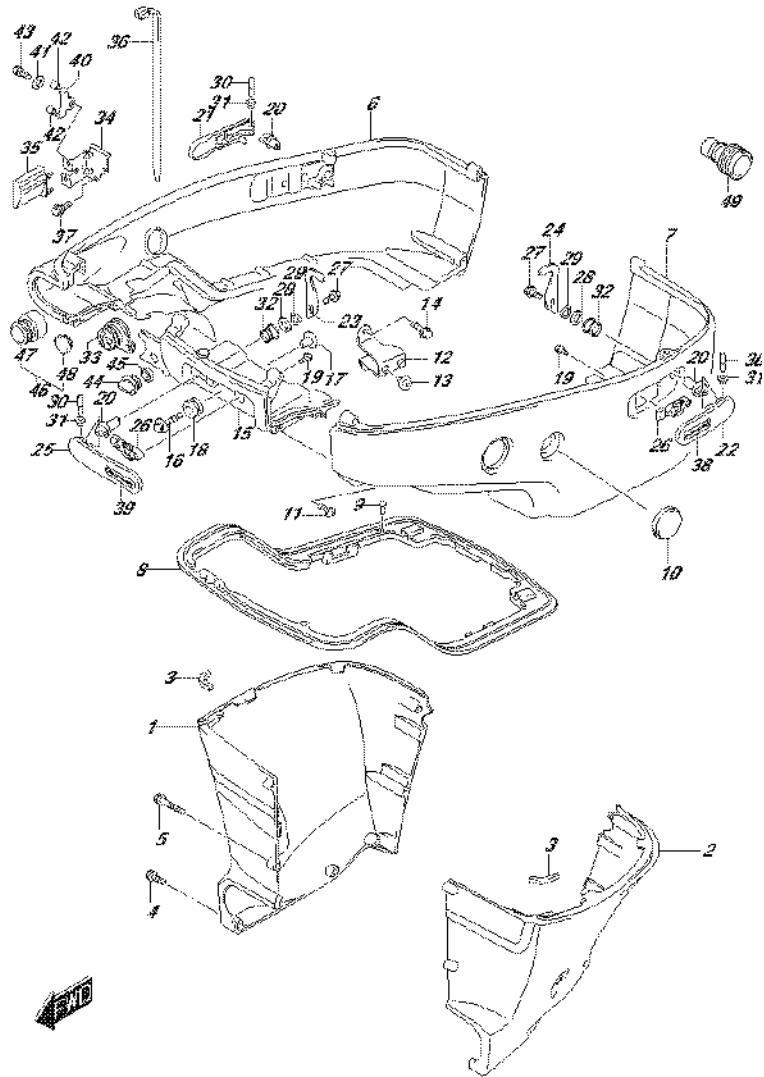
DF200_E01_016_410N
SIDE COVER

FIG.410N (3-I-5) SIDE COVER TRANSOM(L) (DF200T E01)

REF NO.	PART NO.	DESCRIPTION	Q'TY	REMARKS
26	61673-93J01	LATCH, HOOK LEVER	3	
27	09116-06127	BOLT (6X12)	3	
28	09160-13014	WASHER (13.2X25X1)	3	
29	09164-14008	WASHER	3	
30	09202-04022	PIN	3	
31	09306-04005	BUSH	6	
32	09306-13007	BUSH	3	
33	61124-93J40	GROMMET, REMOCOCON CABLE	1	
34	67341-93J20	HOLDER, REMOCOCON CABLE	1	
35	67345-93J00	PROTECTOR, R/CON CABLE HOLDER	1	
36	09407-25402	CLAMP (L:250)	1	
37	01550-06167	BOLT	2	
38	61639-93J00	LABEL, HOOK LEVER (REAR PORT)	1	
39	61649-93J00	LABEL, HOOK LEVER (REAR STBD / FRONT)	2	
40	67343-93J20	STOPPER, REMOCOCON CABLE	1	
41	09160-06047	WASHER (6.5X20X2)	1	
42	09352-70103-600	HOSE (7X10.2X600)	2	L:600->14
43	01570-06107	BOLT	1	
44	17913-93J00	PLUG, WATER	1	
45	17914-93J00	GASKET, WATER PLUG	1	
46	67300-93J00	KIT, HOSE ADAPTER	1	OPT
47	67361-93J00	.ADAPTER, HOSE	1	OPT
48	09250-21003	.PLUG (OD:28)	1	OPT
49	17917-87L00	CONNECTOR, FLUSH WATER	1	

DF250_E01_016

FIG.410P



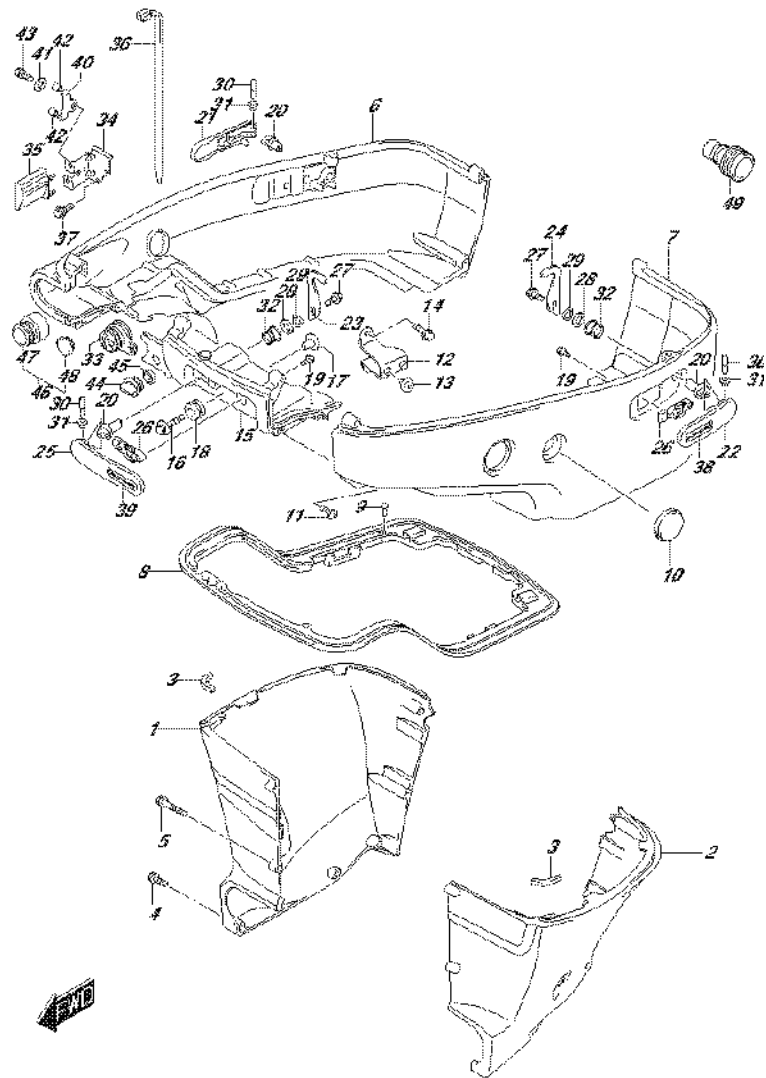
DF200_E01_016_410P
SIDE COVER

FIG.410P (3-I-6) SIDE COVER TRANSOM(L) (DF200T E40)

REF NO.	PART NO.	DESCRIPTION	Q'TY	REMARKS
1-1	61131-93J20-0EP	COVER, OIL PAN STBD (BLACK)	1	
1-2	61131-93J20-Y5S	COVER, OIL PAN STBD (WHITE)	1	
2-1	61141-93J20-0EP	COVER, OIL PAN PORT (BLACK)	1	
2-2	61141-93J20-Y5S	COVER, OIL PAN PORT (WHITE)	1	
3	61137-93J00	CUSHION, OIL PAN COV UPPER	2	
4	09136-06161	SCREW (6X17)	8	
5	09136-06148	SCREW (6X35)	3	
6-1	61811-93J30-0EP	COVER, SIDE STBD (BLACK)	1	
6-2	61811-93J30-Y5S	COVER, SIDE STBD (WHITE)	1	
7-1	61821-93J10-0EP	COVER, SIDE PORT (BLACK)	1	
7-2	61821-93J10-Y5S	COVER, SIDE PORT (WHITE)	1	
8	61134-93J20	SEAL, SIDE COVER	1	
9	09409-05302-5PK	CLIP (BLACK)	2	
10	61817-93J00	PLUG, SIDE COVER	2	
11	09136-06148	SCREW (6X35)	8	
12	61827-93J02	HOLDER, SIDE COVER	1	
13	09321-10030	CUSHION	2	
14	01550-08167	BOLT	2	
15-1	61831-93J13-0EP	PANEL, FRONT (BLACK)	1	
15-2	61831-93J13-Y5S	PANEL, FRONT (WHITE)	1	
16	09116-08163	BOLT (8X38)	2	
17	09169-08039	WASHER	2	
18	09320-11013	CUSHION	2	
19	01550-05107	BOLT	6	
20	61632-93J00	SHAFT, ENGINE COVER HOOK	3	
21-1	61633-93J00-0EP	LEVER, HOOK RR STBD (BLACK)	1	
21-2	61633-93J00-Y5S	LEVER, HOOK RR STBD (WHITE)	1	
22-1	61634-93J00-0EP	LEVER, HOOK RR PORT (BLACK)	1	
22-2	61634-93J00-Y5S	LEVER, HOOK RR PORT (WHITE)	1	
23	61641-93J10	HOOK, ENGINE COVER (REAR STBD/FRONT)	2	
24	61641-93J20	HOOK, ENGINE COVER (REAR PORT)	1	
25-1	61645-93J01-0EP	LEVER, HOOK FR (BLACK)	1	
25-2	61645-93J01-Y5S	LEVER, HOOK FR (WHITE)	1	

DF250_E01_016

FIG.410P



DF200_E01_016_410P
SIDE COVER

FIG.410P (3-I-7) SIDE COVER TRANSOM(L) (DF200T E40)

REF NO.	PART NO.	DESCRIPTION	Q'TY	REMARKS
26	61673-93J01	LATCH, HOOK LEVER	3	
27	09116-06127	BOLT (6X12)	3	
28	09160-13014	WASHER (13.2X25X1)	3	
29	09164-14008	WASHER	3	
30	09202-04022	PIN	3	
31	09306-04005	BUSH	6	
32	09306-13007	BUSH	3	
33	61124-93J40	GROMMET, REMOCON CABLE	1	
34	67341-93J20	HOLDER, REMOCON CABLE	1	
35	67345-93J00	PROTECTOR, R/CON CABLE HOLDER	1	
36	09407-25402	CLAMP (L:250)	1	
37	01550-06167	BOLT	2	
38	61639-93J00	LABEL, HOOK LEVER (REAR PORT)	1	
39	61649-93J00	LABEL, HOOK LEVER (REAR STBD / FRONT)	2	
40	67343-93J20	STOPPER, REMOCON CABLE	1	
41	09160-06047	WASHER (6.5X20X2)	1	
42	09352-70103-600	HOSE (7X10.2X600)	2	L:600->14
43	01570-06107	BOLT	1	
44	17913-93J00	PLUG, WATER	1	
45	17914-93J00	GASKET, WATER PLUG	1	
46	67300-93J00	KIT, HOSE ADAPTER	1	OPT
47	67361-93J00	.ADAPTER, HOSE	1	OPT
48	09250-21003	.PLUG (OD:28)	1	OPT
49	17917-87L00	CONNECTOR, FLUSH WATER	1	

DF250_E01_016

FIG. 420A

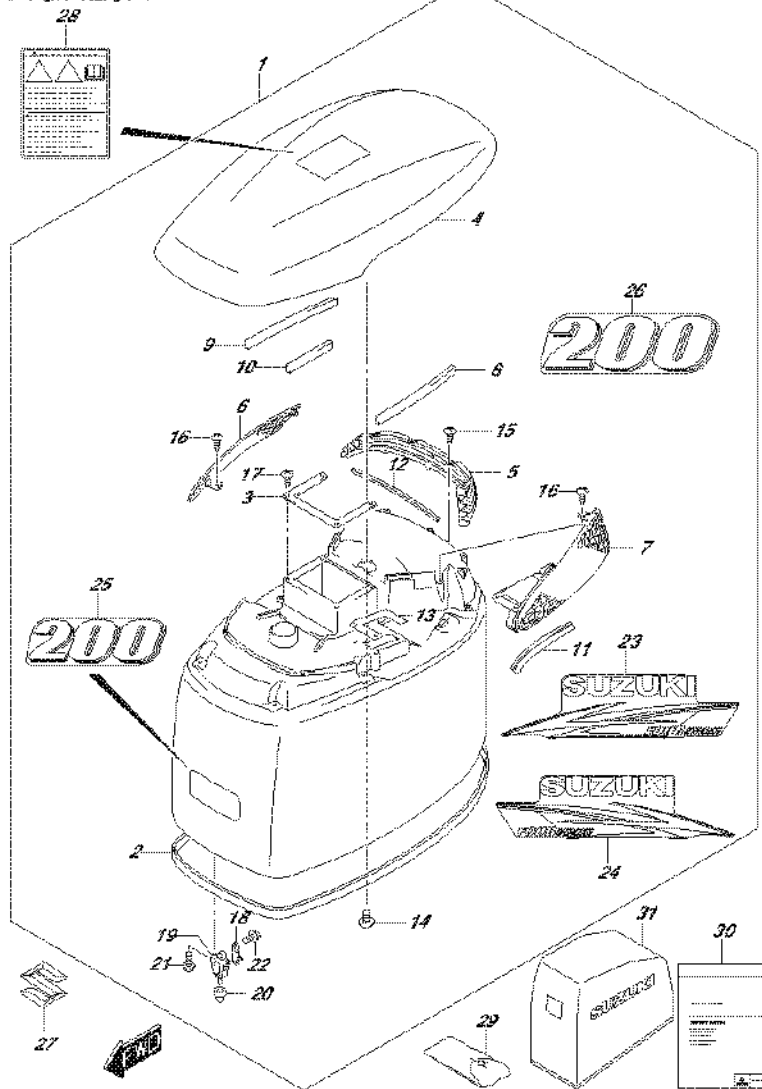
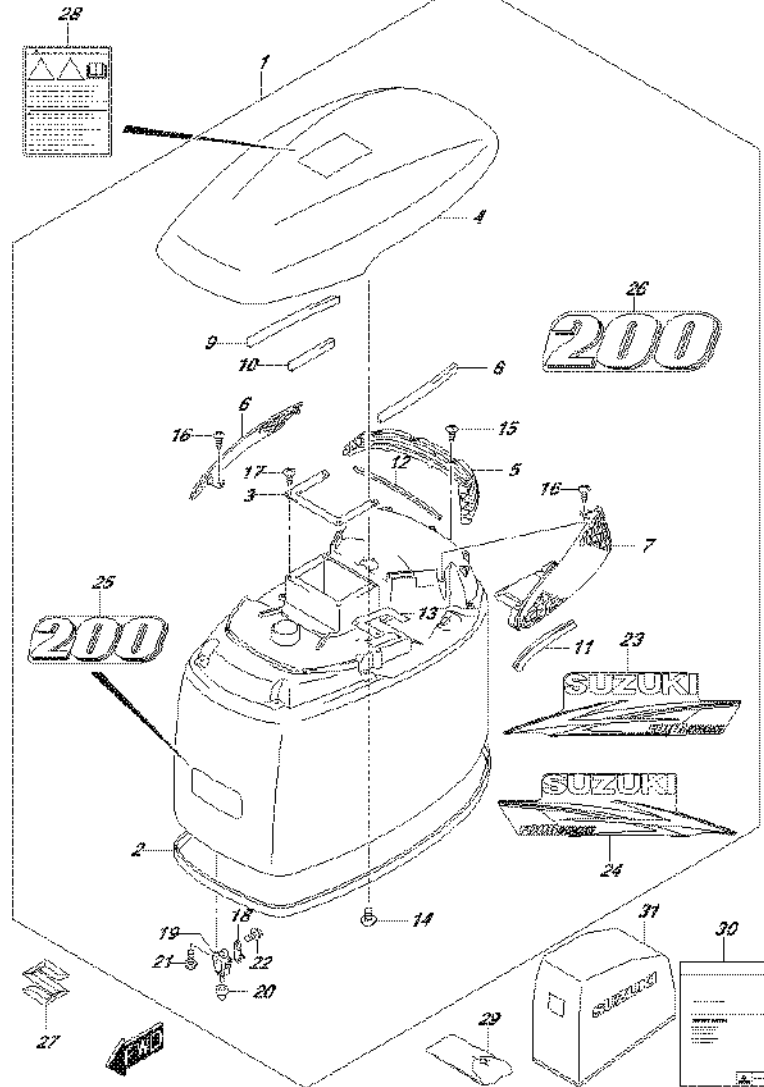


FIG.420A (3-I-8) ENGINE COVER (FOR 0EP) (DF200T E01),(DF200Z E01)

REF NO.	PART NO.	DESCRIPTION	Q'TY	REMARKS
1	61420-93836-0EP	COVER SET, ENGINE (BLACK)	1	
2	61112-93J20	.RUBBER, ENG COVER	1	
3	61416-93J00	.GUARD, AIR INTAKE	1	
4	61431-93J03-0EP	.HANDLE, TILT UP (BLACK)	1	
5	61432-93J01	.LOUVER, TILT UP HANDLE	1	
6	61433-93J01	.COVER, AIR INTK INNER STBD	1	
7	61434-93J01	.COVER, AIR INTK INNER PORT	1	
8	61438-93J00	.TAPE, TILT UP HANDLE (L:250)	1	
9	61438-93J00	.TAPE, TILT UP HANDLE (L:250)	1	L:250->190
10	61438-93J00	.TAPE, TILT UP HANDLE (L:250)	1	L:250->106
11	61439-93J20	.SEAL, TILT UP HANDLE PORT	1	
12	61439-93J40	.SEAL, TILT UP HANDLE RR	1	
13	61476-93J00	.SEAL, AIR VENT	1	
14	03542-05169	.SCREW	8	
15	03542-05169	.SCREW	4	
16	03542-05169	.SCREW	5	
17	03542-05169	.SCREW	4	
18	61610-93J00	.FASTENER	3	
19	61621-93J00	.BRACKET, FASTENER	3	
20	09329-10022	.CUSHION	3	
21	01547-06167	.BOLT	6	
22	01550-06127	.BOLT	3	
23	61443-93J32	.STRIPE, ENGINE COVER STBD (BLACK)	1	
24	61453-93J32	.STRIPE, ENGINE COVER PORT (BLACK)	1	
25	61422-93J52	.MARK, EMBLEM FRONT (200) (BLACK)	1	
26	61435-93J32	.MARK, EMBLEM REAR (200) (BLACK)	1	
27	68111-93J00	EMBLEM (S)	1	

FIG. 420A

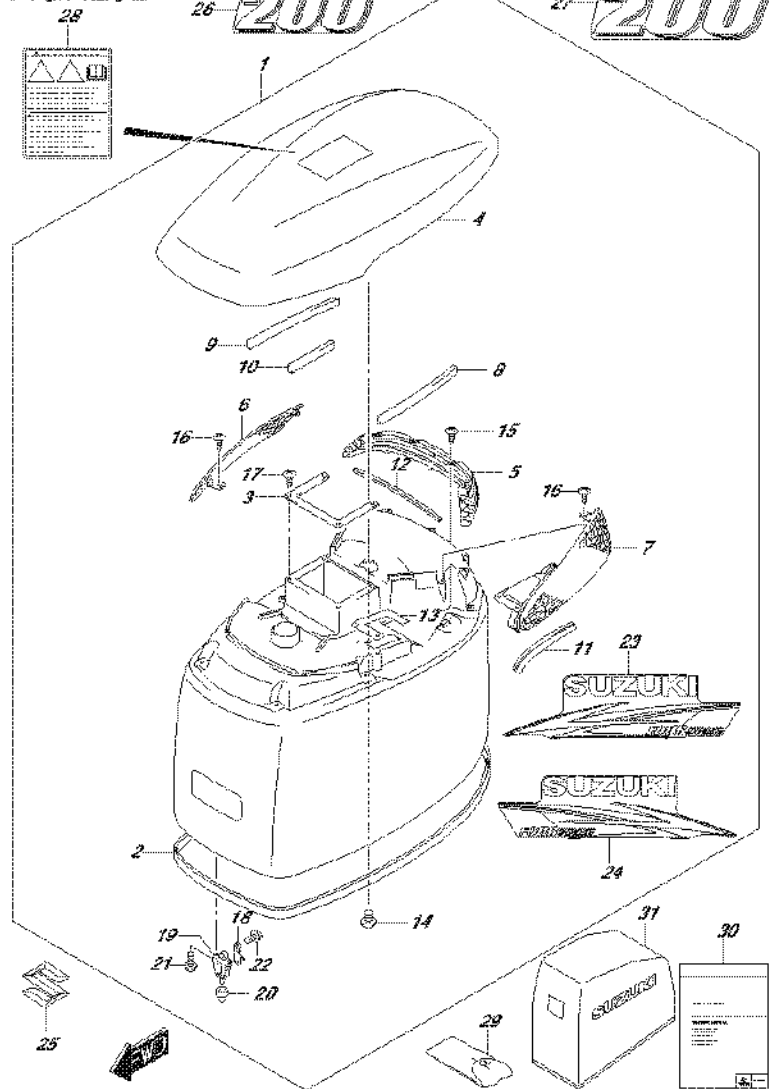


DF200, E01, 016, 420A
ENGINE COVER

FIG.420A (3-I-9) ENGINE COVER (FOR 0EP) (DF200T E01),(DF200Z E01)

REF NO.	PART NO.	DESCRIPTION	Q'TY	REMARKS
28	61458-90J00	LABEL, ENGINE COVER	1	
29	09800-81834	TOOL SET	1	
30-1	99011-93JA0-054	MANUAL, OWNER'S	1	
30-2	99011-93JA0-059	MANUAL, OWNER'S	1	
31	68110-96J00	COVER, WEATHER	1	OPT

FIG. 420B



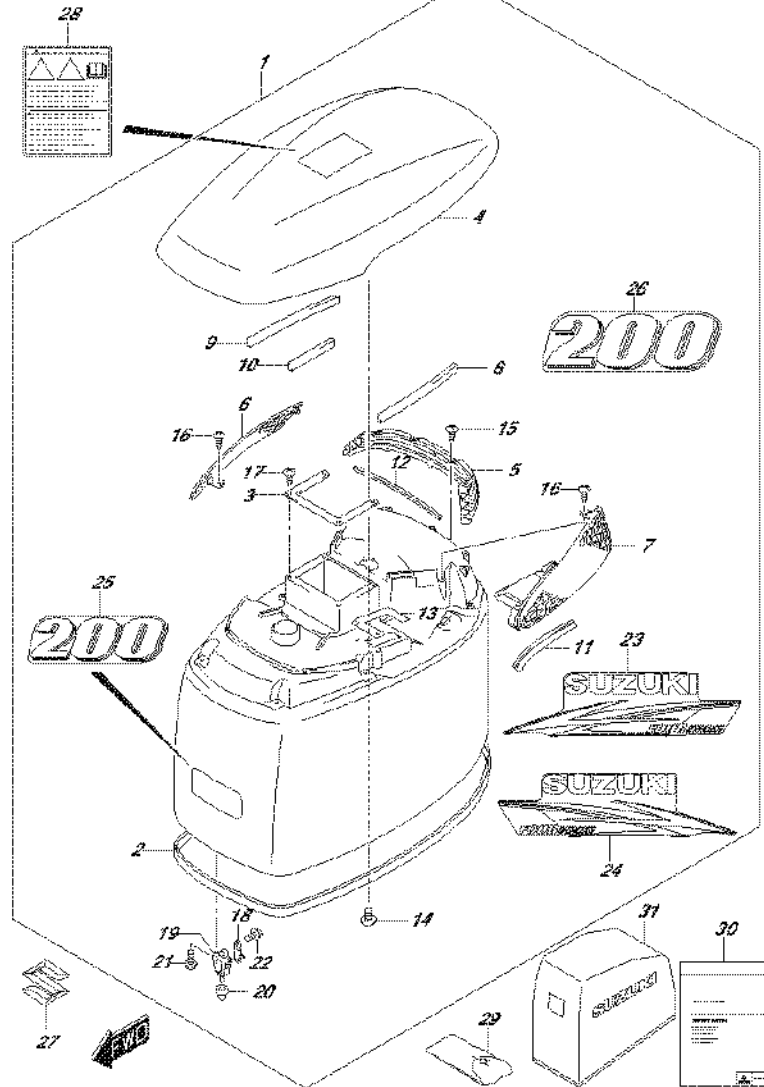
DF200_E01_016_420B
ENGINE COVER

FIG.420B (3-I-10) ENGINE COVER (FOR Y5S) (DF200T E01),(DF200Z E01)

REF NO.	PART NO.	DESCRIPTION	Q'TY	REMARKS
1	61420-93871-Y5S	COVER SET, ENGINE (WHITE)	1	
2	61112-93J20	.RUBBER, ENG COVER	1	
3	61416-93J00	.GUARD, AIR INTAKE	1	
4	61431-93J03-Y5S	.HANDLE, TILT UP (WHITE)	1	
5	61432-93J01	.LOUVER, TILT UP HANDLE	1	
6	61433-93J01	.COVER, AIR INTK INNER STBD	1	
7	61434-93J01	.COVER, AIR INTK INNER PORT	1	
8	61438-93J00	.TAPE, TILT UP HANDLE (L:250)	1	
9	61438-93J00	.TAPE, TILT UP HANDLE (L:250)	1	L:250->190
10	61438-93J00	.TAPE, TILT UP HANDLE (L:250)	1	L:250->106
11	61439-93J20	.SEAL, TILT UP HANDLE PORT	1	
12	61439-93J40	.SEAL, TILT UP HANDLE RR	1	
13	61476-93J00	.SEAL, AIR VENT	1	
14	03542-05169	.SCREW	8	
15	03542-05169	.SCREW	4	
16	03542-05169	.SCREW	5	
17	03542-05169	.SCREW	4	
18	61610-93J00	.FASTENER	3	
19	61621-93J00	.BRACKET, FASTENER	3	
20	09329-10022	.CUSHION	3	
21	01547-06167	.BOLT	6	
22	01550-06127	.BOLT	3	
23	61443-93J40	.STRIPE, ENGINE COVER STBD (WHITE)	1	
24	61453-93J40	.STRIPE, ENGINE COVER PORT (WHITE)	1	
25	68111-93J00	EMBLEM (S)	1	
26	61422-93J90	MARK, EMBLEM FRONT (200) (WHITE)	1	
27	61435-93J70	MARK, EMBLEM REAR (200) (WHITE)	1	
28	61458-90J00	LABEL, ENGINE COVER	1	
29	09800-81834	TOOL SET	1	
30-1	99011-93JA0-054	MANUAL, OWNER'S	1	
30-2	99011-93JA0-059	MANUAL, OWNER'S	1	
31	68110-96J00	COVER, WEATHER	1	OPT

DF250_E01_016

FIG. 420C



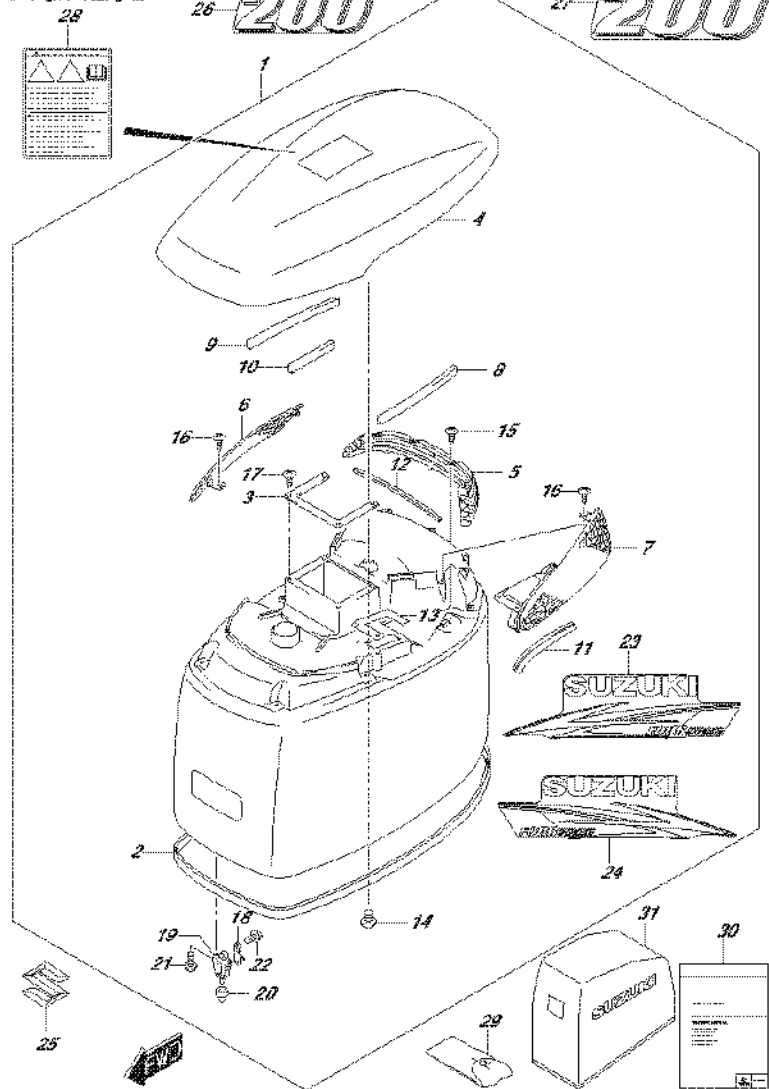
DF200_E01_016_420C
ENGINE COVER

FIG.420C (3-I-11) ENGINE COVER (FOR 0EP) (DF200T E40),(DF200Z E40)

REF NO.	PART NO.	DESCRIPTION	Q'TY	REMARKS
1	61420-93836-0EP	COVER SET, ENGINE (BLACK)	1	
2	61112-93J20	.RUBBER, ENG COVER	1	
3	61416-93J00	.GUARD, AIR INTAKE	1	
4	61431-93J03-0EP	.HANDLE, TILT UP (BLACK)	1	
5	61432-93J01	.LOUVER, TILT UP HANDLE	1	
6	61433-93J01	.COVER, AIR INTK INNER STBD	1	
7	61434-93J01	.COVER, AIR INTK INNER PORT	1	
8	61438-93J00	.TAPE, TILT UP HANDLE (L:250)	1	
9	61438-93J00	.TAPE, TILT UP HANDLE (L:250)	1	L:250->190
10	61438-93J00	.TAPE, TILT UP HANDLE (L:250)	1	L:250->106
11	61439-93J20	.SEAL, TILT UP HANDLE PORT	1	
12	61439-93J40	.SEAL, TILT UP HANDLE RR	1	
13	61476-93J00	.SEAL, AIR VENT	1	
14	03542-05169	.SCREW	8	
15	03542-05169	.SCREW	4	
16	03542-05169	.SCREW	5	
17	03542-05169	.SCREW	4	
18	61610-93J00	.FASTENER	3	
19	61621-93J00	.BRACKET, FASTENER	3	
20	09329-10022	.CUSHION	3	
21	01547-06167	.BOLT	6	
22	01550-06127	.BOLT	3	
23	61443-93J32	.STRIPE, ENGINE COVER STBD (BLACK)	1	
24	61453-93J32	.STRIPE, ENGINE COVER PORT (BLACK)	1	
25	61422-93J52	.MARK, EMBLEM FRONT (200) (BLACK)	1	
26	61435-93J32	.MARK, EMBLEM REAR (200) (BLACK)	1	
27	68111-93J00	EMBLEM (S)	1	
28	61458-90J00	LABEL, ENGINE COVER	1	
29	09800-81834	TOOL SET	1	
30	99011-93JA0-059	MANUAL, OWNER'S	1	
31	68110-96J00	COVER, WEATHER	1	OPT

DF250_E01_016

FIG. 420D



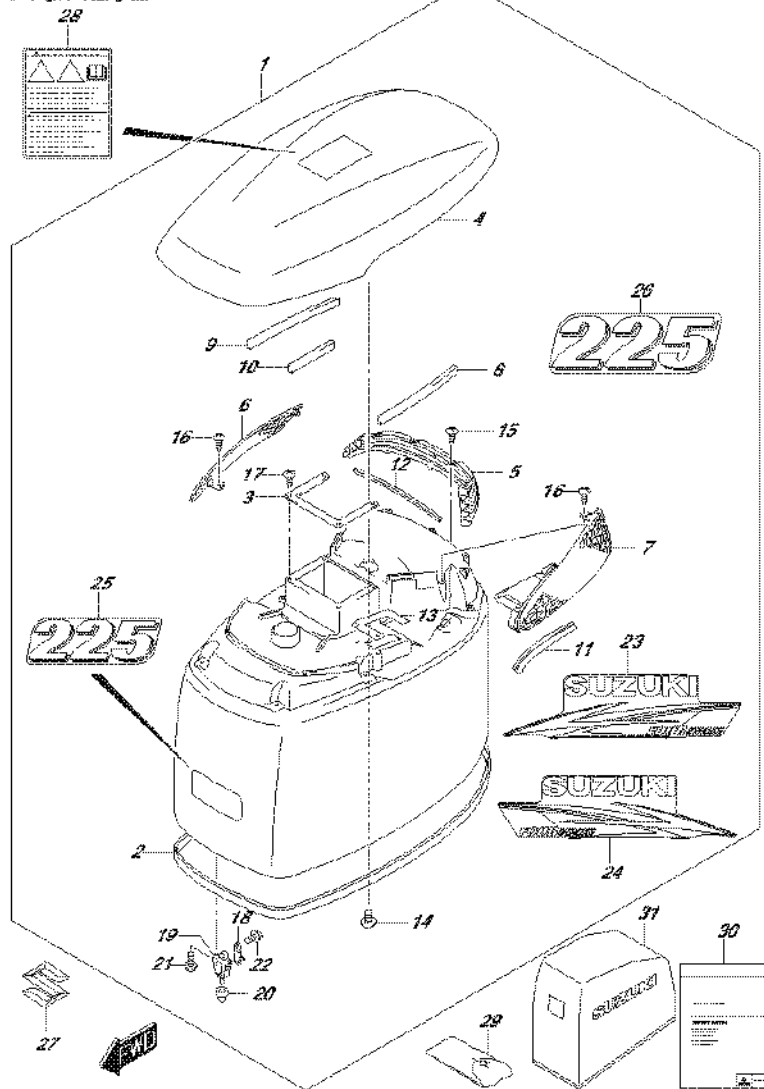
DF200_E01_016_420D
ENGINE COVER

FIG.420D (3-I-12) ENGINE COVER (FOR Y5S) (DF200T E40),(DF200Z E40)

REF NO.	PART NO.	DESCRIPTION	Q'TY	REMARKS
1	61420-93871-Y5S	COVER SET, ENGINE (WHITE)	1	
2	61112-93J20	.RUBBER, ENG COVER	1	
3	61416-93J00	.GUARD, AIR INTAKE	1	
4	61431-93J03-Y5S	.HANDLE, TILT UP (WHITE)	1	
5	61432-93J01	.LOUVER, TILT UP HANDLE	1	
6	61433-93J01	.COVER, AIR INTK INNER STBD	1	
7	61434-93J01	.COVER, AIR INTK INNER PORT	1	
8	61438-93J00	.TAPE, TILT UP HANDLE (L:250)	1	
9	61438-93J00	.TAPE, TILT UP HANDLE (L:250)	1	L:250->190
10	61438-93J00	.TAPE, TILT UP HANDLE (L:250)	1	L:250->106
11	61439-93J20	.SEAL, TILT UP HANDLE PORT	1	
12	61439-93J40	.SEAL, TILT UP HANDLE RR	1	
13	61476-93J00	.SEAL, AIR VENT	1	
14	03542-05169	.SCREW	8	
15	03542-05169	.SCREW	4	
16	03542-05169	.SCREW	5	
17	03542-05169	.SCREW	4	
18	61610-93J00	.FASTENER	3	
19	61621-93J00	.BRACKET, FASTENER	3	
20	09329-10022	.CUSHION	3	
21	01547-06167	.BOLT	6	
22	01550-06127	.BOLT	3	
23	61443-93J40	.STRIPE, ENGINE COVER STBD (WHITE)	1	
24	61453-93J40	.STRIPE, ENGINE COVER PORT (WHITE)	1	
25	68111-93J00	EMBLEM (S)	1	
26	61422-93J90	MARK, EMBLEM FRONT (200) (WHITE)	1	
27	61435-93J70	MARK, EMBLEM REAR (200) (WHITE)	1	
28	61458-90J00	LABEL, ENGINE COVER	1	
29	09800-81834	TOOL SET	1	
30	99011-93JA0-059	MANUAL, OWNER'S	1	
31	68110-96J00	COVER, WEATHER	1	OPT

DF250_E01_016

FIG. 420E



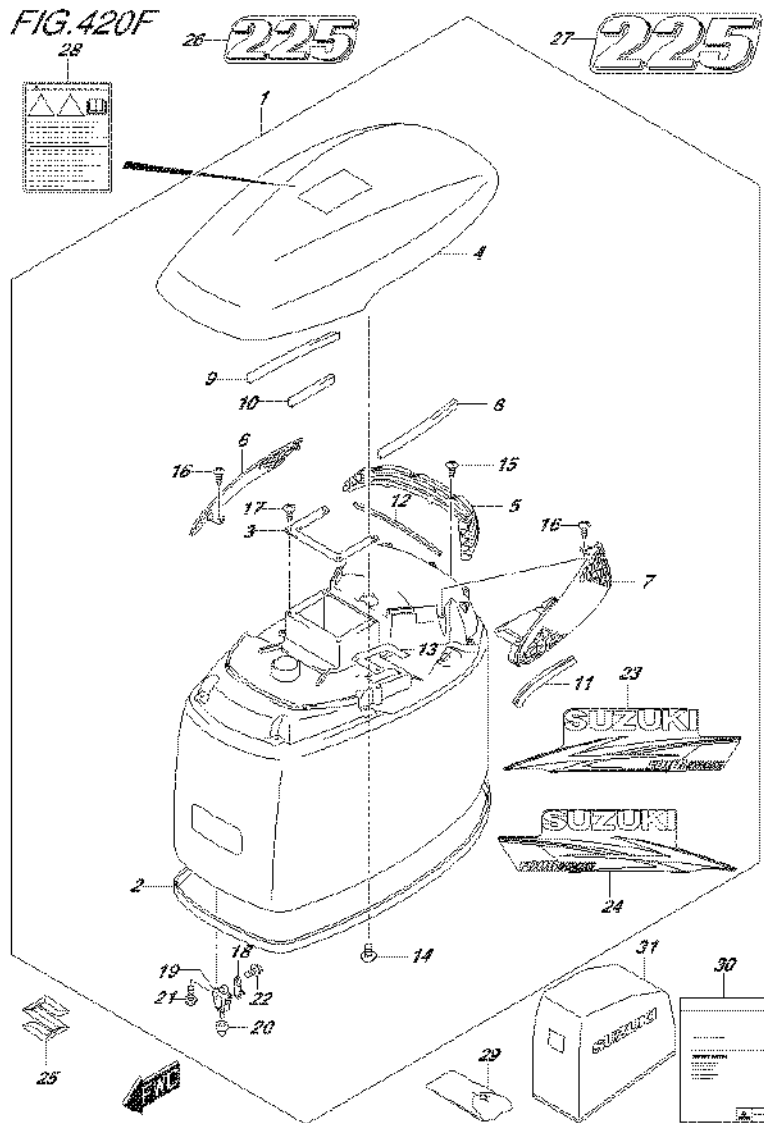
DF250_E01_016_420E
ENGINE COVER

FIG.420E (3-I-13) ENGINE COVER (FOR 0EP) (DF225T E01),(DF225Z E01)

REF NO.	PART NO.	DESCRIPTION	Q'TY	REMARKS
1	61420-93846-0EP	COVER SET, ENGINE (BLACK)	1	
2	61112-93J20	.RUBBER, ENG COVER	1	
3	61416-93J00	.GUARD, AIR INTAKE	1	
4	61431-93J03-0EP	.HANDLE, TILT UP (BLACK)	1	
5	61432-93J01	.LOUVER, TILT UP HANDLE	1	
6	61433-93J01	.COVER, AIR INTK INNER STBD	1	
7	61434-93J01	.COVER, AIR INTK INNER PORT	1	
8	61438-93J00	.TAPE, TILT UP HANDLE (L:250)	1	
9	61438-93J00	.TAPE, TILT UP HANDLE (L:250)	1	L:250->190
10	61438-93J00	.TAPE, TILT UP HANDLE (L:250)	1	L:250->106
11	61439-93J20	.SEAL, TILT UP HANDLE PORT	1	
12	61439-93J40	.SEAL, TILT UP HANDLE RR	1	
13	61476-93J00	.SEAL, AIR VENT	1	
14	03542-05169	.SCREW	8	
15	03542-05169	.SCREW	4	
16	03542-05169	.SCREW	5	
17	03542-05169	.SCREW	4	
18	61610-93J00	.FASTENER	3	
19	61621-93J00	.BRACKET, FASTENER	3	
20	09329-10022	.CUSHION	3	
21	01547-06167	.BOLT	6	
22	01550-06127	.BOLT	3	
23	61443-93J32	.STRIPE, ENGINE COVER STBD (BLACK)	1	
24	61453-93J32	.STRIPE, ENGINE COVER PORT (BLACK)	1	
25	61422-93J62	.MARK, EMBLEM FRONT (225) (BLACK)	1	
26	61435-93J42	.MARK, EMBLEM REAR (225) (BLACK)	1	
27	68111-93J00	EMBLEM (S)	1	
28	61458-90J00	LABEL, ENGINE COVER	1	
29	09800-81834	TOOL SET	1	
30-1	99011-93JA0-054	MANUAL, OWNER'S	1	
30-2	99011-93JA0-059	MANUAL, OWNER'S	1	
31	68110-96J00	COVER, WEATHER	1	OPT

DF250_E01_016

FIG. 420F



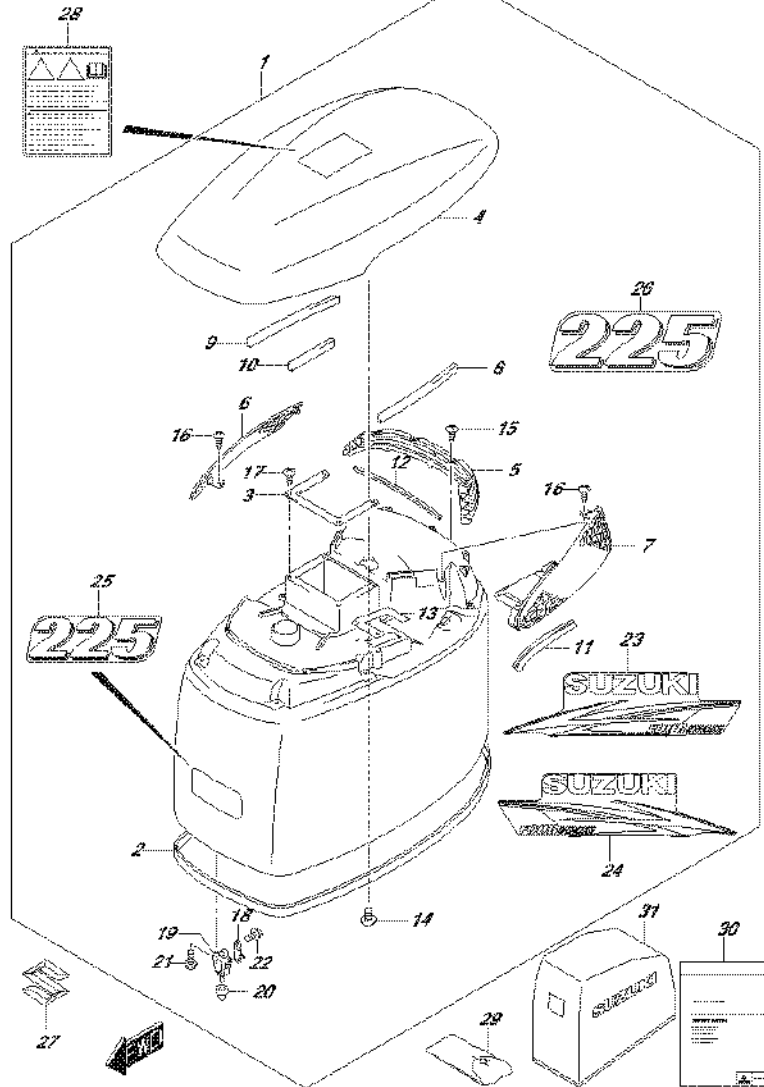
DF250_E01_016_420F
ENGINE COVER

FIG.420F (3-I-14) ENGINE COVER (FOR Y5S) (DF225T E01),(DF225Z E01)

REF NO.	PART NO.	DESCRIPTION	Q'TY	REMARKS
1	61420-93871-Y5S	COVER SET, ENGINE (WHITE)	1	
2	61112-93J20	.RUBBER, ENG COVER	1	
3	61416-93J00	.GUARD, AIR INTAKE	1	
4	61431-93J03-Y5S	.HANDLE, TILT UP (WHITE)	1	
5	61432-93J01	.LOUVER, TILT UP HANDLE	1	
6	61433-93J01	.COVER, AIR INTK INNER STBD	1	
7	61434-93J01	.COVER, AIR INTK INNER PORT	1	
8	61438-93J00	.TAPE, TILT UP HANDLE (L:250)	1	
9	61438-93J00	.TAPE, TILT UP HANDLE (L:250)	1	L:250->190
10	61438-93J00	.TAPE, TILT UP HANDLE (L:250)	1	L:250->106
11	61439-93J20	.SEAL, TILT UP HANDLE PORT	1	
12	61439-93J40	.SEAL, TILT UP HANDLE RR	1	
13	61476-93J00	.SEAL, AIR VENT	1	
14	03542-05169	.SCREW	8	
15	03542-05169	.SCREW	4	
16	03542-05169	.SCREW	5	
17	03542-05169	.SCREW	4	
18	61610-93J00	.FASTENER	3	
19	61621-93J00	.BRACKET, FASTENER	3	
20	09329-10022	.CUSHION	3	
21	01547-06167	.BOLT	6	
22	01550-06127	.BOLT	3	
23	61443-93J40	.STRIPE, ENGINE COVER STBD (WHITE)	1	
24	61453-93J40	.STRIPE, ENGINE COVER PORT (WHITE)	1	
25	68111-93J00	EMBLEM (S)	1	
26	61422-93JA0	MARK, EMBLEM FRONT (225) (WHITE)	1	
27	61435-93J80	MARK, EMBLEM REAR (225) (WHITE)	1	
28	61458-90J00	LABEL, ENGINE COVER	1	
29	09800-81834	TOOL SET	1	
30-1	99011-93JA0-054	MANUAL, OWNER'S	1	
30-2	99011-93JA0-059	MANUAL, OWNER'S	1	
31	68110-96J00	COVER, WEATHER	1	OPT

DF250_E01_016

FIG. 420G



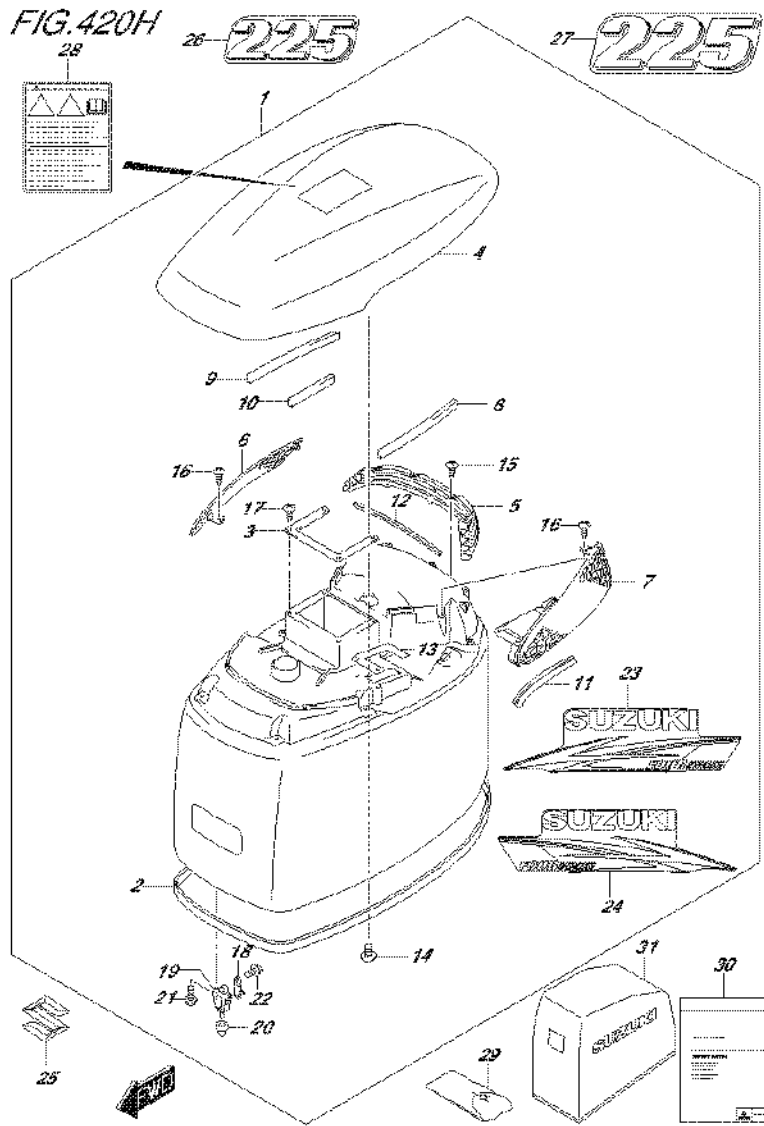
DF250_E01_016_420G
ENGINE COVER

FIG.420G (3-I-15) ENGINE COVER (FOR 0EP) (DF225T E40),(DF225Z E40)

REF NO.	PART NO.	DESCRIPTION	Q'TY	REMARKS
1	61420-93846-0EP	COVER SET, ENGINE (BLACK)	1	
2	61112-93J20	.RUBBER, ENG COVER	1	
3	61416-93J00	.GUARD, AIR INTAKE	1	
4	61431-93J03-0EP	.HANDLE, TILT UP (BLACK)	1	
5	61432-93J01	.LOUVER, TILT UP HANDLE	1	
6	61433-93J01	.COVER, AIR INTK INNER STBD	1	
7	61434-93J01	.COVER, AIR INTK INNER PORT	1	
8	61438-93J00	.TAPE, TILT UP HANDLE (L:250)	1	
9	61438-93J00	.TAPE, TILT UP HANDLE (L:250)	1	L:250->190
10	61438-93J00	.TAPE, TILT UP HANDLE (L:250)	1	L:250->106
11	61439-93J20	.SEAL, TILT UP HANDLE PORT	1	
12	61439-93J40	.SEAL, TILT UP HANDLE RR	1	
13	61476-93J00	.SEAL, AIR VENT	1	
14	03542-05169	.SCREW	8	
15	03542-05169	.SCREW	4	
16	03542-05169	.SCREW	5	
17	03542-05169	.SCREW	4	
18	61610-93J00	.FASTENER	3	
19	61621-93J00	.BRACKET, FASTENER	3	
20	09329-10022	.CUSHION	3	
21	01547-06167	.BOLT	6	
22	01550-06127	.BOLT	3	
23	61443-93J32	.STRIPE, ENGINE COVER STBD (BLACK)	1	
24	61453-93J32	.STRIPE, ENGINE COVER PORT (BLACK)	1	
25	61422-93J62	.MARK, EMBLEM FRONT (225) (BLACK)	1	
26	61435-93J42	.MARK, EMBLEM REAR (225) (BLACK)	1	
27	68111-93J00	EMBLEM (S)	1	
28	61458-90J00	LABEL, ENGINE COVER	1	
29	09800-81834	TOOL SET	1	
30	99011-93JA0-059	MANUAL, OWNER'S	1	
31	68110-96J00	COVER, WEATHER	1	OPT

DF250_E01_016

FIG. 420H



DF250_E01_016_420H
ENGINE COVER

FIG.420H (3-J-2) ENGINE COVER (FOR Y5S) (DF225T E40),(DF225Z E40)

REF NO.	PART NO.	DESCRIPTION	Q'TY	REMARKS
1	61420-93871-Y5S	COVER SET, ENGINE (WHITE)	1	
2	61112-93J20	.RUBBER, ENG COVER	1	
3	61416-93J00	.GUARD, AIR INTAKE	1	
4	61431-93J03-Y5S	.HANDLE, TILT UP (WHITE)	1	
5	61432-93J01	.LOUVER, TILT UP HANDLE	1	
6	61433-93J01	.COVER, AIR INTK INNER STBD	1	
7	61434-93J01	.COVER, AIR INTK INNER PORT	1	
8	61438-93J00	.TAPE, TILT UP HANDLE (L:250)	1	
9	61438-93J00	.TAPE, TILT UP HANDLE (L:250)	1	L:250->190
10	61438-93J00	.TAPE, TILT UP HANDLE (L:250)	1	L:250->106
11	61439-93J20	.SEAL, TILT UP HANDLE PORT	1	
12	61439-93J40	.SEAL, TILT UP HANDLE RR	1	
13	61476-93J00	.SEAL, AIR VENT	1	
14	03542-05169	.SCREW	8	
15	03542-05169	.SCREW	4	
16	03542-05169	.SCREW	5	
17	03542-05169	.SCREW	4	
18	61610-93J00	.FASTENER	3	
19	61621-93J00	.BRACKET, FASTENER	3	
20	09329-10022	.CUSHION	3	
21	01547-06167	.BOLT	6	
22	01550-06127	.BOLT	3	
23	61443-93J40	.STRIPE, ENGINE COVER STBD (WHITE)	1	
24	61453-93J40	.STRIPE, ENGINE COVER PORT (WHITE)	1	
25	68111-93J00	EMBLEM (S)	1	
26	61422-93JA0	MARK, EMBLEM FRONT (225) (WHITE)	1	
27	61435-93J80	MARK, EMBLEM REAR (225) (WHITE)	1	
28	61458-90J00	LABEL, ENGINE COVER	1	
29	09800-81834	TOOL SET	1	
30	99011-93JA0-059	MANUAL, OWNER'S	1	
31	68110-96J00	COVER, WEATHER	1	OPT

DF250_E01_016

FIG. 420J

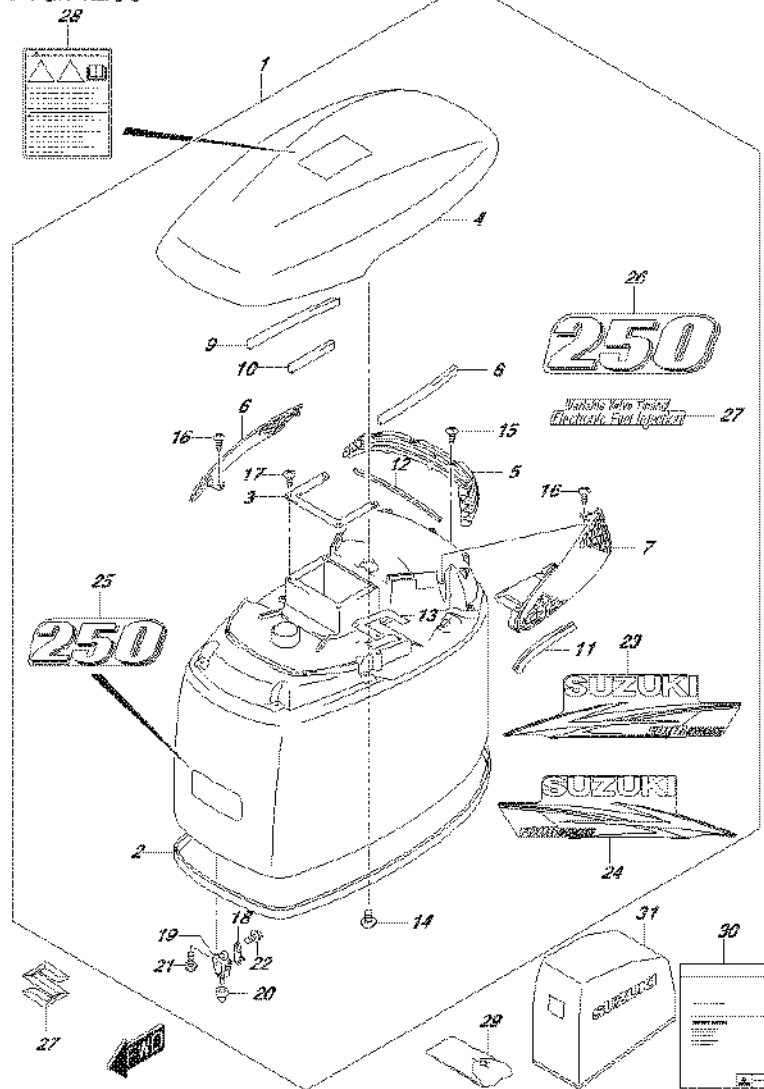
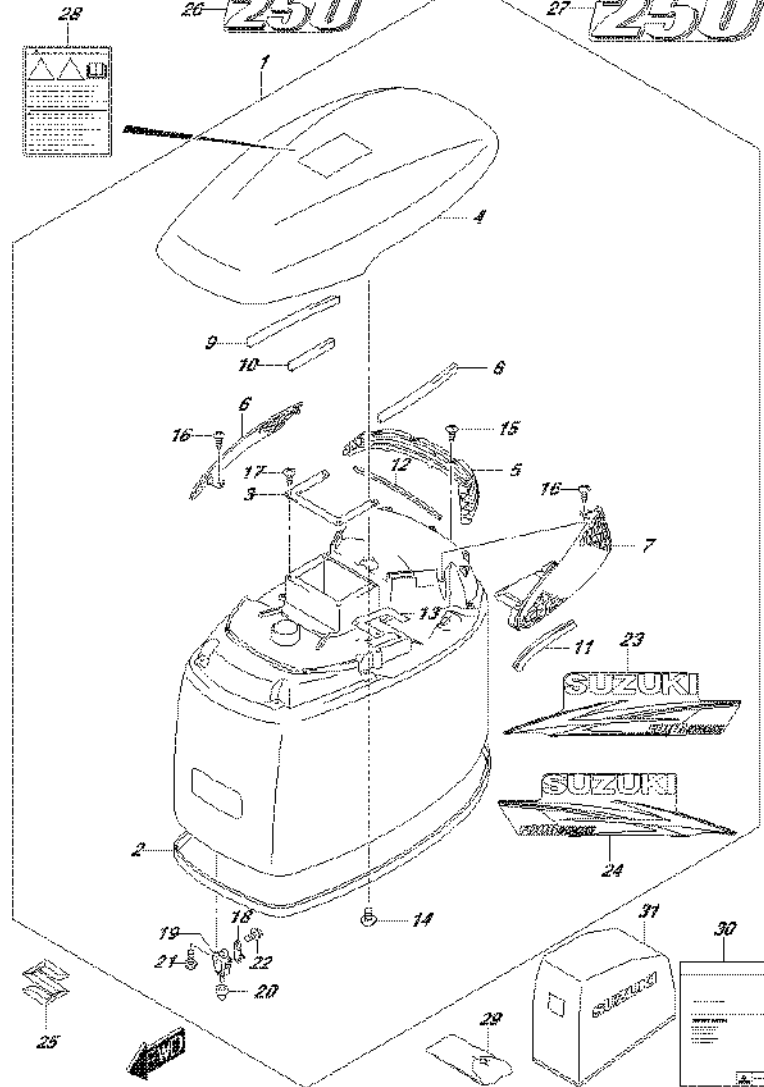


FIG.420J (3-J-3) ENGINE COVER (FOR 0EP) (DF250T E01),(DF250Z E01)

REF NO.	PART NO.	DESCRIPTION	Q'TY	REMARKS
1	61420-93855-0EP	COVER SET, ENGINE (BLACK)	1	
2	61112-93J20	.RUBBER, ENG COVER	1	
3	61416-93J00	.GUARD, AIR INTAKE	1	
4	61431-93J03-0EP	.HANDLE, TILT UP (BLACK)	1	
5	61432-93J01	.LOUVER, TILT UP HANDLE	1	
6	61433-93J01	.COVER, AIR INTK INNER STBD	1	
7	61434-93J01	.COVER, AIR INTK INNER PORT	1	
8	61438-93J00	.TAPE, TILT UP HANDLE (L:250)	1	
9	61438-93J00	.TAPE, TILT UP HANDLE (L:250)	1	L:250->190
10	61438-93J00	.TAPE, TILT UP HANDLE (L:250)	1	L:250->106
11	61439-93J20	.SEAL, TILT UP HANDLE PORT	1	
12	61439-93J40	.SEAL, TILT UP HANDLE RR	1	
13	61476-93J00	.SEAL, AIR VENT	1	
14	03542-05169	.SCREW	8	
15	03542-05169	.SCREW	4	
16	03542-05169	.SCREW	5	
17	03542-05169	.SCREW	4	
18	61610-93J00	.FASTENER	3	
19	61621-93J00	.BRACKET, FASTENER	3	
20	09329-10022	.CUSHION	3	
21	01547-06167	.BOLT	6	
22	01550-06127	.BOLT	3	
23	61443-93J32	.STRIPE, ENGINE COVER STBD (BLACK)	1	
24	61453-93J32	.STRIPE, ENGINE COVER PORT (BLACK)	1	
25	61422-93J72	.MARK, EMBLEM FRONT (250) (BLACK)	1	
26	61435-93J52	.MARK, EMBLEM REAR (250) (BLACK)	1	
27	68111-93J00	EMBLEM (S)	1	
28	61458-90J00	LABEL, ENGINE COVER	1	
29	09800-81834	TOOL SET	1	
30-1	99011-93JA0-054	MANUAL, OWNER'S	1	
30-2	99011-93JA0-059	MANUAL, OWNER'S	1	
31	68110-96J00	COVER, WEATHER	1	OPT

FIG. 420K



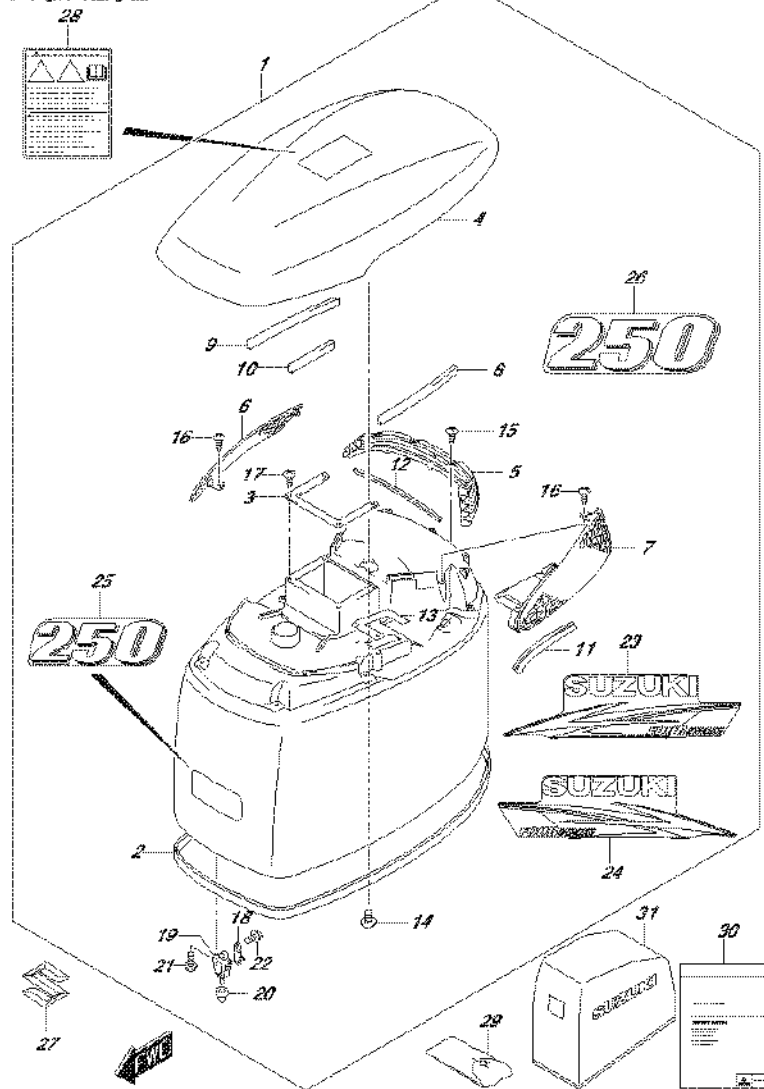
DF250_E01_016_420K
ENGINE COVER

FIG.420K (3-J-4) ENGINE COVER (FOR Y5S) (DF250T E01),(DF250Z E01)

REF NO.	PART NO.	DESCRIPTION	Q'TY	REMARKS
1	61420-93871-Y5S	COVER SET, ENGINE (WHITE)	1	
2	61112-93J20	.RUBBER, ENG COVER	1	
3	61416-93J00	.GUARD, AIR INTAKE	1	
4	61431-93J03-Y5S	.HANDLE, TILT UP (WHITE)	1	
5	61432-93J01	.LOUVER, TILT UP HANDLE	1	
6	61433-93J01	.COVER, AIR INTK INNER STBD	1	
7	61434-93J01	.COVER, AIR INTK INNER PORT	1	
8	61438-93J00	.TAPE, TILT UP HANDLE (L:250)	1	
9	61438-93J00	.TAPE, TILT UP HANDLE (L:250)	1	L:250->190
10	61438-93J00	.TAPE, TILT UP HANDLE (L:250)	1	L:250->106
11	61439-93J20	.SEAL, TILT UP HANDLE PORT	1	
12	61439-93J40	.SEAL, TILT UP HANDLE RR	1	
13	61476-93J00	.SEAL, AIR VENT	1	
14	03542-05169	.SCREW	8	
15	03542-05169	.SCREW	4	
16	03542-05169	.SCREW	5	
17	03542-05169	.SCREW	4	
18	61610-93J00	.FASTENER	3	
19	61621-93J00	.BRACKET, FASTENER	3	
20	09329-10022	.CUSHION	3	
21	01547-06167	.BOLT	6	
22	01550-06127	.BOLT	3	
23	61443-93J40	.STRIPE, ENGINE COVER STBD (WHITE)	1	
24	61453-93J40	.STRIPE, ENGINE COVER PORT (WHITE)	1	
25	68111-93J00	EMBLEM (S)	1	
26	61422-93J80	MARK, EMBLEM FRONT (250) (WHITE)	1	
27	61435-93J60	MARK, EMBLEM REAR (250) (WHITE)	1	
28	61458-90J00	LABEL, ENGINE COVER	1	
29	09800-81834	TOOL SET	1	
30-1	99011-93JA0-054	MANUAL, OWNER'S	1	
30-2	99011-93JA0-059	MANUAL, OWNER'S	1	
31	68110-96J00	COVER, WEATHER	1	OPT

DF250_E01_016

FIG. 420L



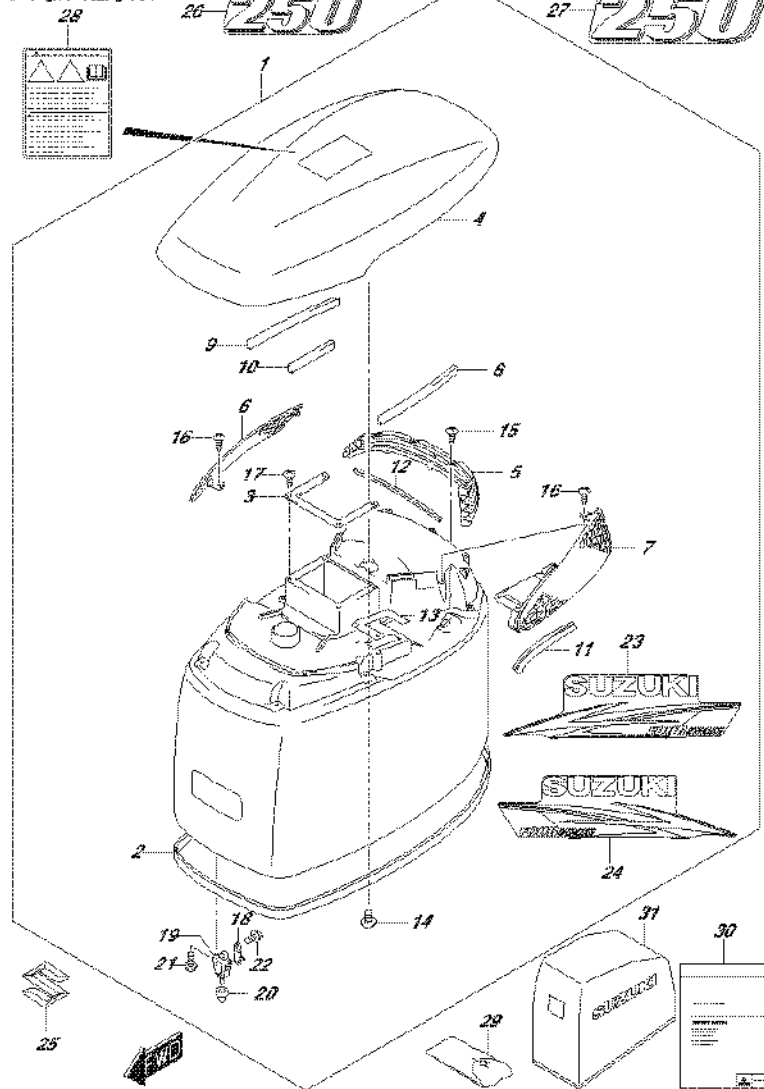
DF250_E01_016_420L
ENGINE COVER

FIG.420L (3-J-5) ENGINE COVER (FOR 0EP) (DF250T E40),(DF250Z E40)

REF NO.	PART NO.	DESCRIPTION	Q'TY	REMARKS
1	61420-93855-0EP	COVER SET, ENGINE (BLACK)	1	
2	61112-93J20	.RUBBER, ENG COVER	1	
3	61416-93J00	.GUARD, AIR INTAKE	1	
4	61431-93J03-0EP	.HANDLE, TILT UP (BLACK)	1	
5	61432-93J01	.LOUVER, TILT UP HANDLE	1	
6	61433-93J01	.COVER, AIR INTK INNER STBD	1	
7	61434-93J01	.COVER, AIR INTK INNER PORT	1	
8	61438-93J00	.TAPE, TILT UP HANDLE (L:250)	1	
9	61438-93J00	.TAPE, TILT UP HANDLE (L:250)	1	L:250->190
10	61438-93J00	.TAPE, TILT UP HANDLE (L:250)	1	L:250->106
11	61439-93J20	.SEAL, TILT UP HANDLE PORT	1	
12	61439-93J40	.SEAL, TILT UP HANDLE RR	1	
13	61476-93J00	.SEAL, AIR VENT	1	
14	03542-05169	.SCREW	8	
15	03542-05169	.SCREW	4	
16	03542-05169	.SCREW	5	
17	03542-05169	.SCREW	4	
18	61610-93J00	.FASTENER	3	
19	61621-93J00	.BRACKET, FASTENER	3	
20	09329-10022	.CUSHION	3	
21	01547-06167	.BOLT	6	
22	01550-06127	.BOLT	3	
23	61443-93J32	.STRIPE, ENGINE COVER STBD (BLACK)	1	
24	61453-93J32	.STRIPE, ENGINE COVER PORT (BLACK)	1	
25	61422-93J72	.MARK, EMBLEM FRONT (250) (BLACK)	1	
26	61435-93J52	.MARK, EMBLEM REAR (250) (BLACK)	1	
27	68111-93J00	EMBLEM (S)	1	
28	61458-90J00	LABEL, ENGINE COVER	1	
29	09800-81834	TOOL SET	1	
30	99011-93JA0-059	MANUAL, OWNER'S	1	
31	68110-96J00	COVER, WEATHER	1	OPT

DF250_E01_016

FIG. 420M



DF250_E01_016_420M
ENGINE COVER

FIG.420M (3-J-6) ENGINE COVER (FOR Y5S) (DF250T E40),(DF250Z E40)

REF NO.	PART NO.	DESCRIPTION	Q'TY	REMARKS
1	61420-93871-Y5S	COVER SET, ENGINE (WHITE)	1	
2	61112-93J20	.RUBBER, ENG COVER	1	
3	61416-93J00	.GUARD, AIR INTAKE	1	
4	61431-93J03-Y5S	.HANDLE, TILT UP (WHITE)	1	
5	61432-93J01	.LOUVER, TILT UP HANDLE	1	
6	61433-93J01	.COVER, AIR INTK INNER STBD	1	
7	61434-93J01	.COVER, AIR INTK INNER PORT	1	
8	61438-93J00	.TAPE, TILT UP HANDLE (L:250)	1	
9	61438-93J00	.TAPE, TILT UP HANDLE (L:250)	1	L:250->190
10	61438-93J00	.TAPE, TILT UP HANDLE (L:250)	1	L:250->106
11	61439-93J20	.SEAL, TILT UP HANDLE PORT	1	
12	61439-93J40	.SEAL, TILT UP HANDLE RR	1	
13	61476-93J00	.SEAL, AIR VENT	1	
14	03542-05169	.SCREW	8	
15	03542-05169	.SCREW	4	
16	03542-05169	.SCREW	5	
17	03542-05169	.SCREW	4	
18	61610-93J00	.FASTENER	3	
19	61621-93J00	.BRACKET, FASTENER	3	
20	09329-10022	.CUSHION	3	
21	01547-06167	.BOLT	6	
22	01550-06127	.BOLT	3	
23	61443-93J40	.STRIPE, ENGINE COVER STBD (WHITE)	1	
24	61453-93J40	.STRIPE, ENGINE COVER PORT (WHITE)	1	
25	68111-93J00	EMBLEM (S)	1	
26	61422-93J80	MARK, EMBLEM FRONT (250) (WHITE)	1	
27	61435-93J60	MARK, EMBLEM REAR (250) (WHITE)	1	
28	61458-90J00	LABEL, ENGINE COVER	1	
29	09800-81834	TOOL SET	1	
30	99011-93JA0-059	MANUAL, OWNER'S	1	
31	68110-96J00	COVER, WEATHER	1	OPT

DF250_E01_016

FIG.430A

FIG.430A (3-J-7) FUEL HOSE

REF NO.	PART NO.	DESCRIPTION	Q'TY	REMARKS
1	09251-09002	CAP (OD:13.6)	1	
2	09367-10001	JOINT	1	
3	09401-13423	CLIP	1	
4	65700-93J02	HOSE, FUEL (TANK TO ENGINE)	1	
5	65770-93J11	.PUMP, SQUEEZE	1	
6	09401-13423	CLIP	1	

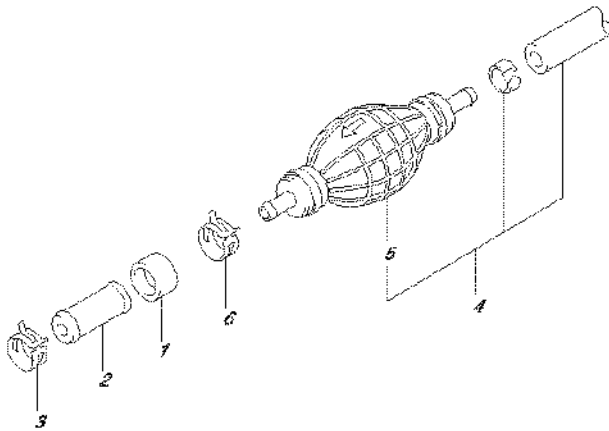


FIG.442A

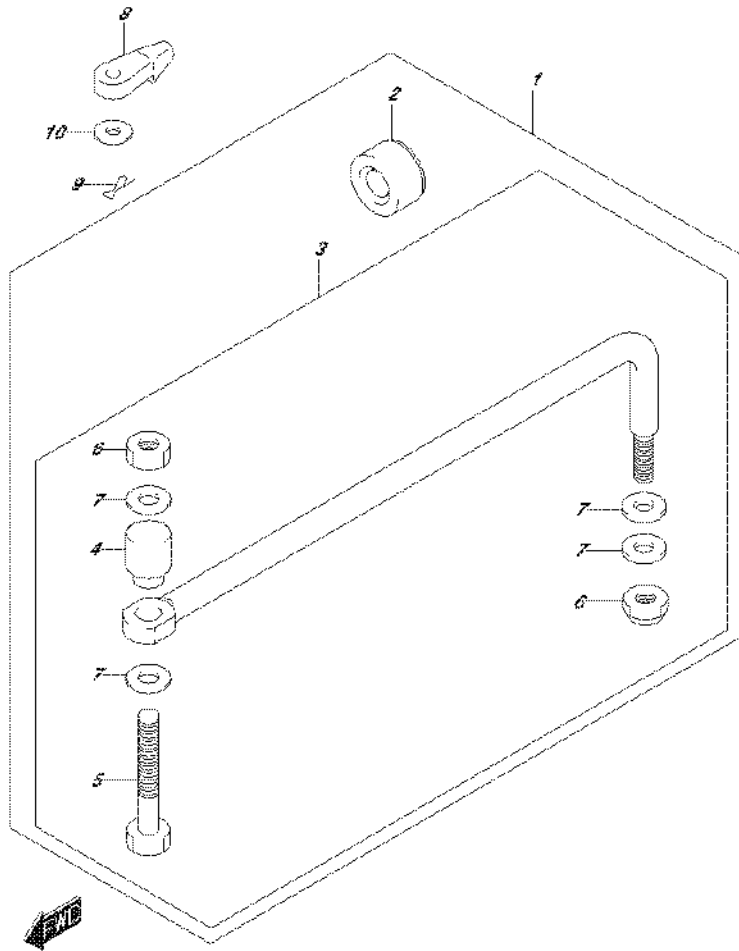


FIG.442A (3-J-8) DRAG LINK

REF NO.	PART NO.	DESCRIPTION	Q'TY	REMARKS
1	67700-93J00	LINK SET, DRAG	1	OPT
2	41161-94400	..SEAL, STEERING CABLE	1	OPT
3	67701-87J11	..LINK ASSY, DRAG	1	OPT
4	67721-87J00	..SPACER	1	OPT
5	67725-99E00	..BOLT, DRAG LINK	1	OPT
6	67726-99E00	..NUT	2	OPT
7	67728-99E00	..WASHER	4	OPT
8	67467-89J01	CONNECTOR, REMOCON CABLE	2	
9	09385-06012	CLIP	2	
10	09160-06055	WASHER (7X12X1)	2	

FIG.460A

FIG.460A (3-J-9) METER (DF200T E01)

REF NO.	PART NO.	DESCRIPTION	Q'TY	REMARKS
1-1	34800-93J01	METER ASSY, TRIM	1	BLACK
1-2	34800-93J12	METER ASSY, TRIM	1	WHITE
2	09471-12108	.BULB (12V,3W,T6.5)	1	
3-1	34200-93J01	TACHOMETER ASSY, WITH MONITOR	1	BLACK
3-2	34200-93J13	TACHOMETER ASSY, WITH MONITOR	1	WHITE
4	09471-12077	.BULB (12V,1.7W)	1	

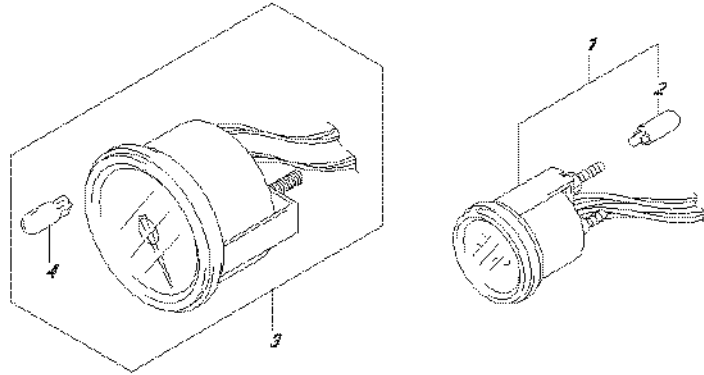


FIG.460B

FIG.460B (3-J-10) METER (DF200T E40)

REF NO.	PART NO.	DESCRIPTION	Q'TY	REMARKS
1-1	34800-93J01	METER ASSY, TRIM	1	BLACK
1-2	34800-93J12	METER ASSY, TRIM	1	WHITE
2	09471-12108	.BULB (12V,3W,T6.5)	1	
3-1	34200-93J01	TACHOMETER ASSY, WITH MONITOR	1	BLACK
3-2	34200-93J13	TACHOMETER ASSY, WITH MONITOR	1	WHITE
4	09471-12077	.BULB (12V,1.7W)	1	

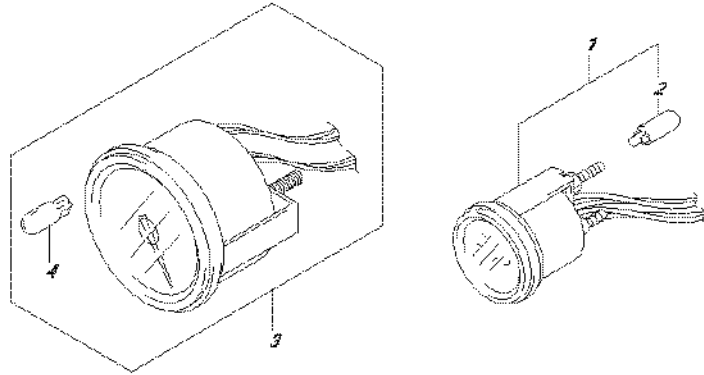


FIG.460C

FIG.460C (3-J-11) METER (DF200Z E40)

REF NO.	PART NO.	DESCRIPTION	Q'TY	REMARKS
1-1	34800-93J01	METER ASSY, TRIM	1	BLACK
1-2	34800-93J12	METER ASSY, TRIM	1	WHITE
2	09471-12108	.BULB (12V,3W,T6.5)	1	
3-1	34200-93J01	TACHOMETER ASSY, WITH MONITOR	1	BLACK
3-2	34200-93J13	TACHOMETER ASSY, WITH MONITOR	1	WHITE
4	09471-12077	.BULB (12V,1.7W)	1	

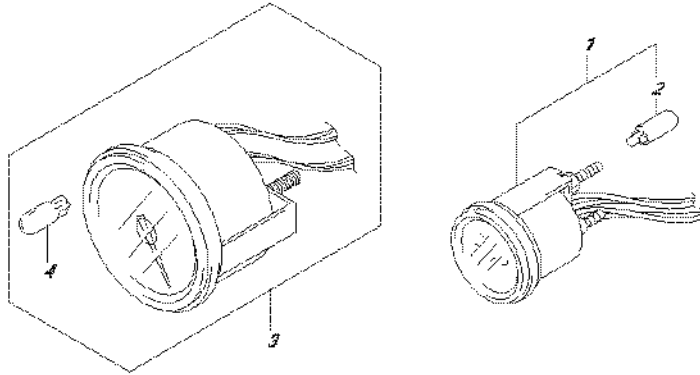


FIG.460D

FIG.460D (3-J-12) METER (DF225T E01)

REF NO.	PART NO.	DESCRIPTION	Q'TY	REMARKS
1-1	34800-93J01	METER ASSY, TRIM	1	BLACK
1-2	34800-93J12	METER ASSY, TRIM	1	WHITE
2	09471-12108	.BULB (12V,3W,T6.5)	1	
3-1	34200-93J01	TACHOMETER ASSY, WITH MONITOR	1	BLACK
3-2	34200-93J13	TACHOMETER ASSY, WITH MONITOR	1	WHITE
4	09471-12077	.BULB (12V,1.7W)	1	

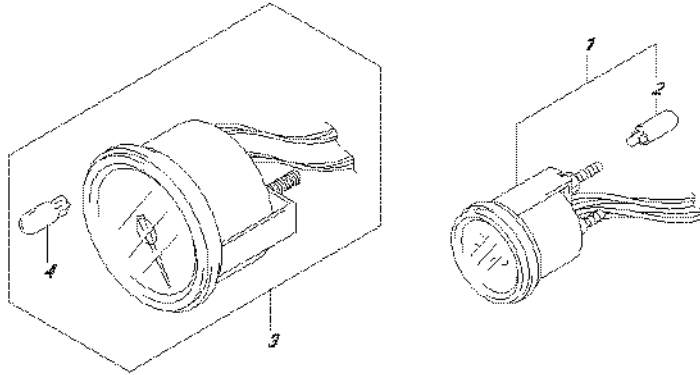


FIG.460E

FIG.460E (3-J-13) METER (DF225T E40)

REF NO.	PART NO.	DESCRIPTION	Q'TY	REMARKS
1-1	34800-93J01	METER ASSY, TRIM	1	BLACK
1-2	34800-93J12	METER ASSY, TRIM	1	WHITE
2	09471-12108	.BULB (12V,3W,T6.5)	1	
3-1	34200-93J01	TACHOMETER ASSY, WITH MONITOR	1	BLACK
3-2	34200-93J13	TACHOMETER ASSY, WITH MONITOR	1	WHITE
4	09471-12077	.BULB (12V,1.7W)	1	

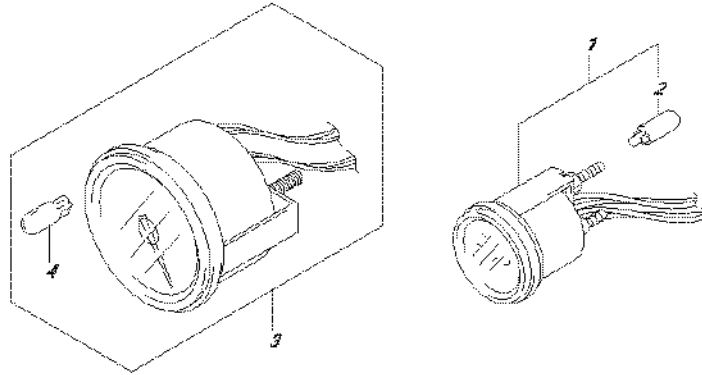


FIG.460F

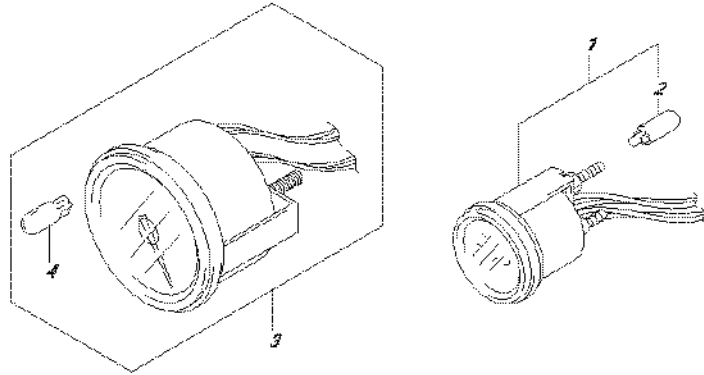


FIG.460F (3-J-14) METER (DF225Z E01)

REF NO.	PART NO.	DESCRIPTION	Q'TY	REMARKS
1-1	34800-93J01	METER ASSY, TRIM	1	BLACK
1-2	34800-93J12	METER ASSY, TRIM	1	WHITE
2	09471-12108	.BULB (12V,3W,T6.5)	1	
3-1	34200-93J01	TACHOMETER ASSY, WITH MONITOR	1	BLACK
3-2	34200-93J13	TACHOMETER ASSY, WITH MONITOR	1	WHITE
4	09471-12077	.BULB (12V,1.7W)	1	

FIG.460G

FIG.460G (3-J-15) METER (DF225Z E40)

REF NO.	PART NO.	DESCRIPTION	Q'TY	REMARKS
1-1	34800-93J01	METER ASSY, TRIM	1	BLACK
1-2	34800-93J12	METER ASSY, TRIM	1	WHITE
2	09471-12108	.BULB (12V,3W,T6.5)	1	
3-1	34200-93J01	TACHOMETER ASSY, WITH MONITOR	1	BLACK
3-2	34200-93J13	TACHOMETER ASSY, WITH MONITOR	1	WHITE
4	09471-12077	.BULB (12V,1.7W)	1	

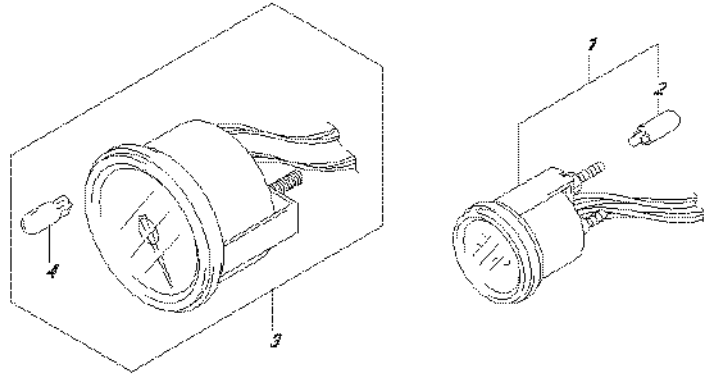


FIG.460H

FIG.460H (3-K-2) METER (DF250T E01)

REF NO.	PART NO.	DESCRIPTION	Q'TY	REMARKS
1-1	34800-93J01	METER ASSY, TRIM	1	BLACK
1-2	34800-93J12	METER ASSY, TRIM	1	WHITE
2	09471-12108	.BULB (12V,3W,T6.5)	1	
3-1	34200-93J01	TACHOMETER ASSY, WITH MONITOR	1	BLACK
3-2	34200-93J13	TACHOMETER ASSY, WITH MONITOR	1	WHITE
4	09471-12077	.BULB (12V,1.7W)	1	

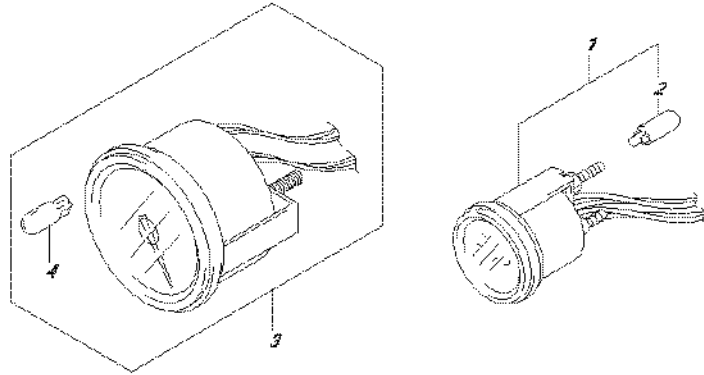


FIG.460J

FIG.460J (3-K-3) METER (DF250T E40)

REF NO.	PART NO.	DESCRIPTION	Q'TY	REMARKS
1-1	34800-93J01	METER ASSY, TRIM	1	BLACK
1-2	34800-93J12	METER ASSY, TRIM	1	WHITE
2	09471-12108	.BULB (12V,3W,T6.5)	1	
3-1	34200-93J01	TACHOMETER ASSY, WITH MONITOR	1	BLACK
3-2	34200-93J13	TACHOMETER ASSY, WITH MONITOR	1	WHITE
4	09471-12077	.BULB (12V,1.7W)	1	

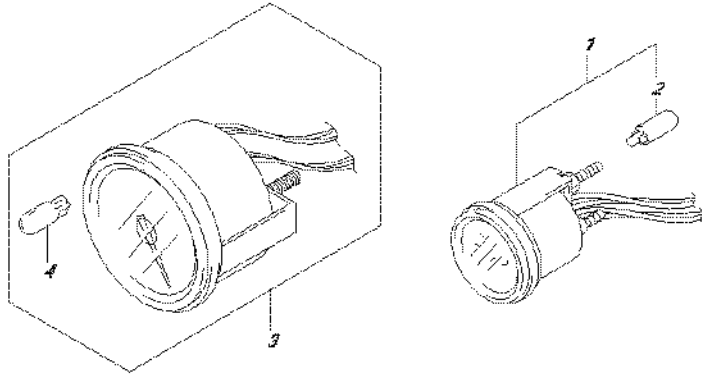


FIG.460K

FIG.460K (3-K-4) METER (DF250Z E01)

REF NO.	PART NO.	DESCRIPTION	Q'TY	REMARKS
1-1	34800-93J01	METER ASSY, TRIM	1	BLACK
1-2	34800-93J12	METER ASSY, TRIM	1	WHITE
2	09471-12108	.BULB (12V,3W,T6.5)	1	
3-1	34200-93J01	TACHOMETER ASSY, WITH MONITOR	1	BLACK
3-2	34200-93J13	TACHOMETER ASSY, WITH MONITOR	1	WHITE
4	09471-12077	.BULB (12V,1.7W)	1	

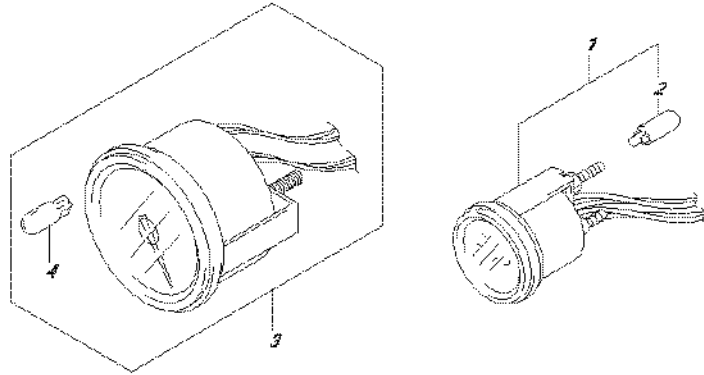


FIG.460L

FIG.460L (3-K-5) METER (DF250Z E40)

REF NO.	PART NO.	DESCRIPTION	Q'TY	REMARKS
1-1	34800-93J01	METER ASSY, TRIM	1	BLACK
1-2	34800-93J12	METER ASSY, TRIM	1	WHITE
2	09471-12108	.BULB (12V,3W,T6.5)	1	
3-1	34200-93J01	TACHOMETER ASSY, WITH MONITOR	1	BLACK
3-2	34200-93J13	TACHOMETER ASSY, WITH MONITOR	1	WHITE
4	09471-12077	.BULB (12V,1.7W)	1	

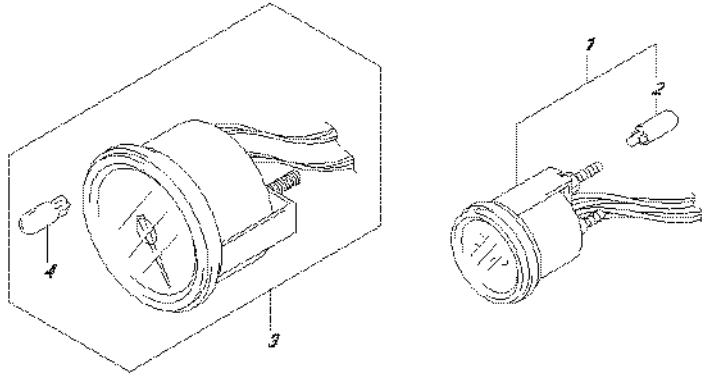
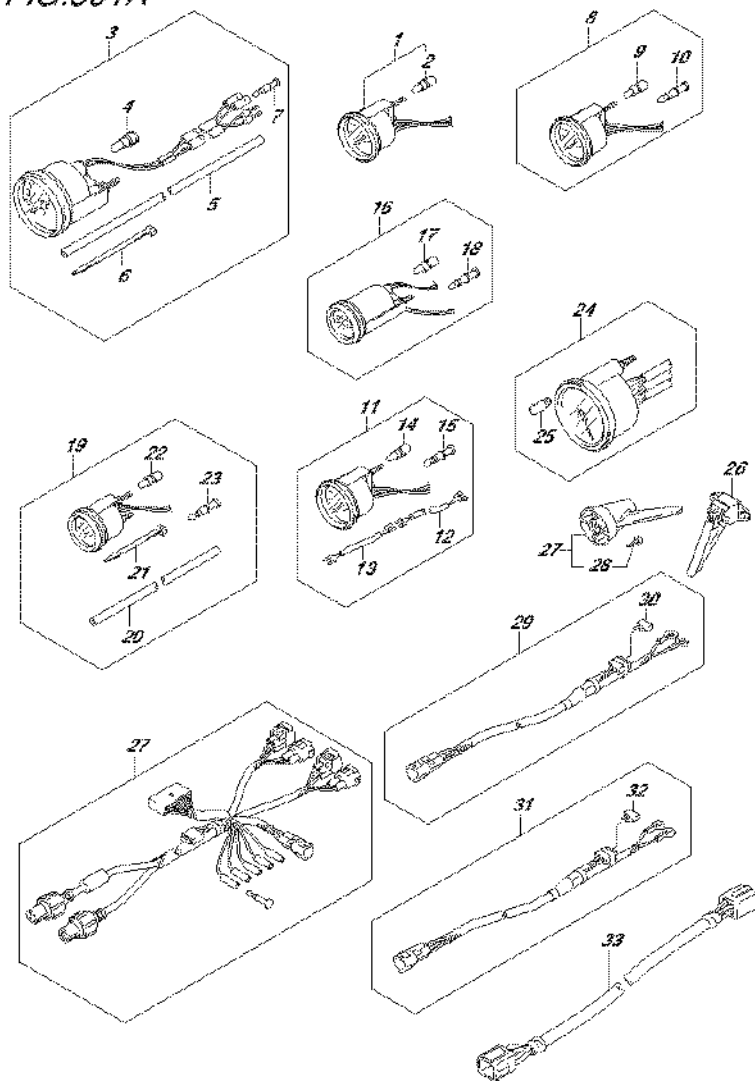


FIG.501A



DF250_E01_016_501A
OPT:METER

FIG.501A (3-K-6) OPT:METER

REF NO.	PART NO.	DESCRIPTION	Q'TY	REMARKS
1-1	34800-93J01	METER ASSY, TRIM	1	BLACK
1-2	34800-93J12	METER ASSY, TRIM	1	WHITE
2	09471-12108	.BULB (12V,1.7W,T6.5)	1	
3-1	34100-93J01	SPEEDOMETER ASSY	1	MAX 130KM/H BLACK
3-2	34100-93J12	SPEEDOMETER ASSY	1	MAX 130KM/H WHITE
3-3	34100-93J21	SPEEDOMETER ASSY	1	MAX 80KM/H BLACK
3-4	34100-93J32	SPEEDOMETER ASSY	1	MAX 80KM/H WHITE
3-5	34100-93J41	SPEEDOMETER ASSY	1	MAX 45KNOTS BLACK
3-6	34100-93J52	SPEEDOMETER ASSY	1	MAX 45KNOTS WHITE
3-7	34100-93J61	SPEEDOMETER ASSY	1	MAX 65KNOTS WHITE
4	09471-12028	.BULB (12V,3.4W)	1	
5	34191-92E00	.TUBE	1	
6	09407-14407	.CLAMP (L:145)	2	
7	36615-96300	.TERMINAL, RESIN	2	
8-1	34600-93J01	METER ASSY, VOLTAGE	1	BLACK
8-2	34600-93J12	METER ASSY, VOLTAGE	1	WHITE
9	09471-12103	.BULB (12V,3W,T6.5)	1	
10	36615-96300	.TERMINAL, RESIN	4	
11-1	34300-93J01	GAUGE ASSY, FUEL	1	BLACK
11-2	34300-93J12	GAUGE ASSY, FUEL	1	WHITE
12	34310-92E00	.LEAD, FUEL GAUGE	1	
13	34360-92E00	ADAPTER, FUEL GAUGE	1	
14	09471-12103	.BULB (12V,3W,T6.5)	1	
15	36615-96300	.TERMINAL, RESIN	5	
16-1	34500-93J01	METER ASSY, HOUR	1	BLACK
16-2	34500-93J12	METER ASSY, HOUR	1	WHITE
17	09471-12103	.BULB (12V,3W,T6.5)	1	
18	36615-96300	.TERMINAL, RESIN	4	
19-1	34650-93J21	GAUGE ASSY, WATER PRESSURE	1	15PSI BLACK
19-2	34650-93J32	GAUGE ASSY, WATER PRESSURE	1	15PSI WHITE
20	34191-92E00	.TUBE	1	
21	09407-14407	.CLAMP (L:145)	2	
22	09471-12103	.BULB (12V,3W,T6.5)	1	
23	36615-96300	.TERMINAL, RESIN	2	

DF250_E01_016

FIG.501A

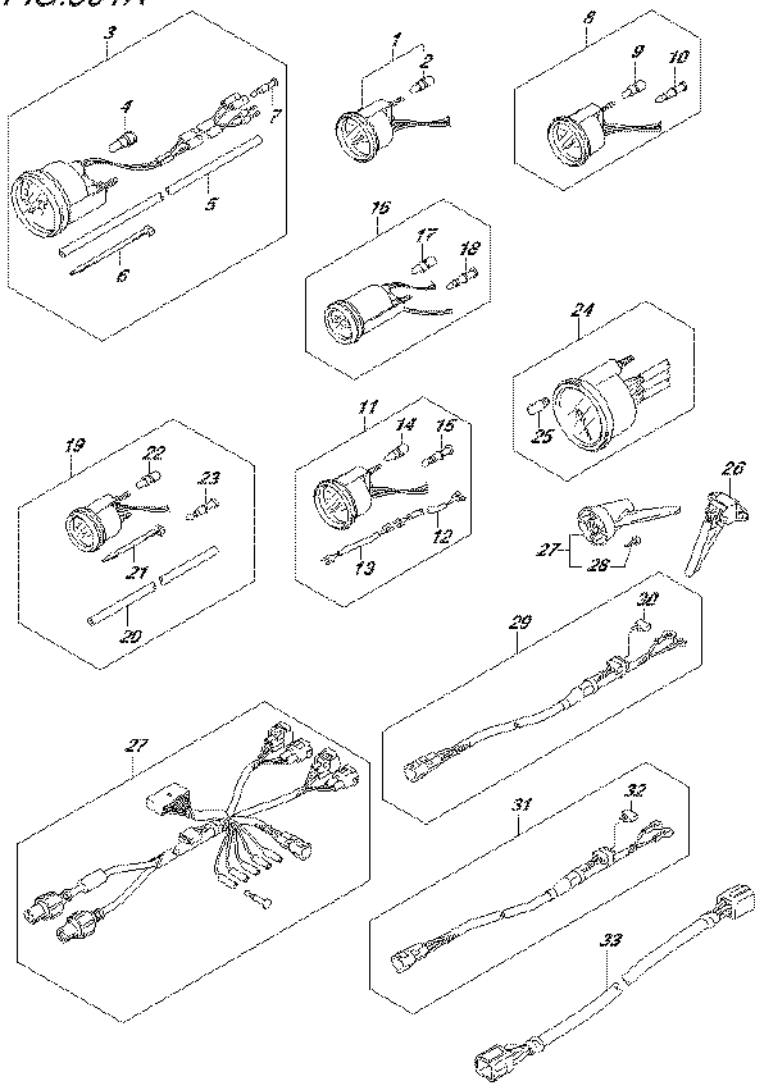


FIG.501A (3-K-7) OPT:METER

REF NO.	PART NO.	DESCRIPTION	Q'TY	REMARKS
24-1	34200-93J01	TACHOMETER ASSY, WITH MONITOR	1	BLACK
24-2	34200-93J13	TACHOMETER ASSY, WITH MONITOR	1	WHITE
25	09471-12077	.BULB (12V,1.7W)	1	
26	34190-87D00	SENDER ASSY, SPEEDOMETER	1	
27	34190-95500	SENDER ASSY, SPEEDOMETER	1	
28	03112-0630B	.SCREW	2	
29	36663-98J00	WIRE, GAUGE POWER (2.5M)	1	
30	09481-05501	.FUSE (5A)	1	
31	36663-98J10	WIRE, GAUGE POWER (6M)	1	
32	09481-05501	.FUSE (5A)	1	
33	36682-92E00	WIRE, TRIM METER EXT (L:6500)	1	

FIG.508A

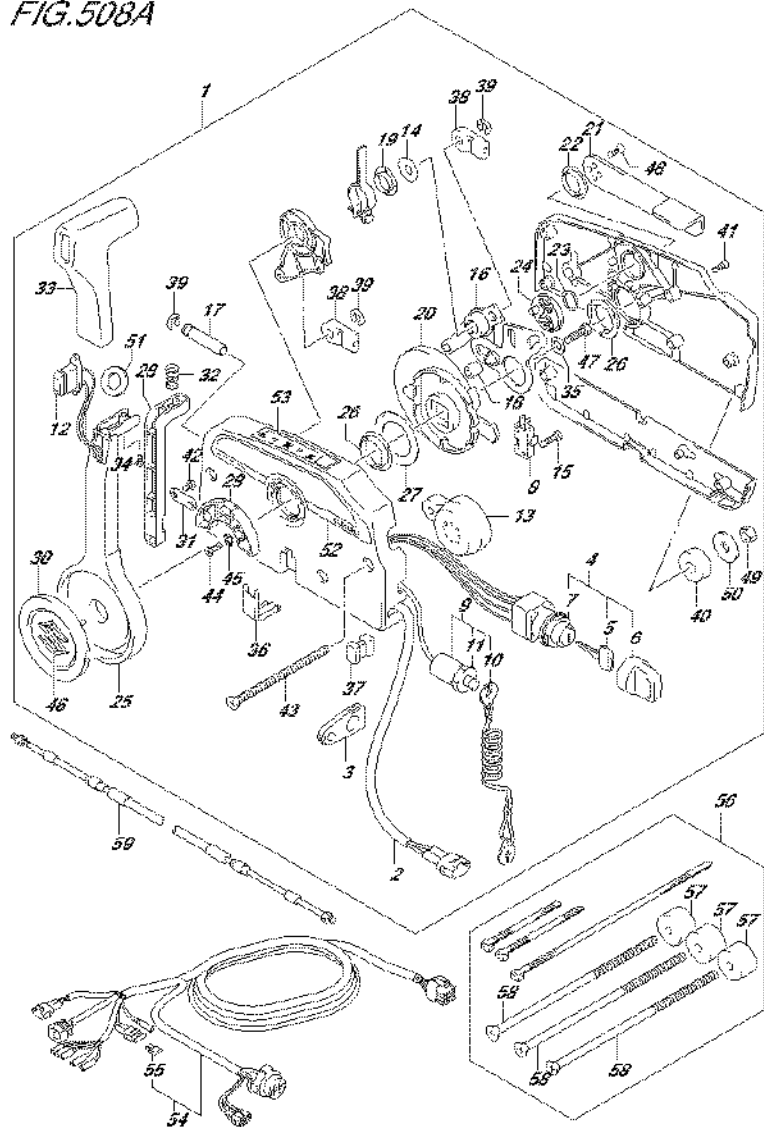
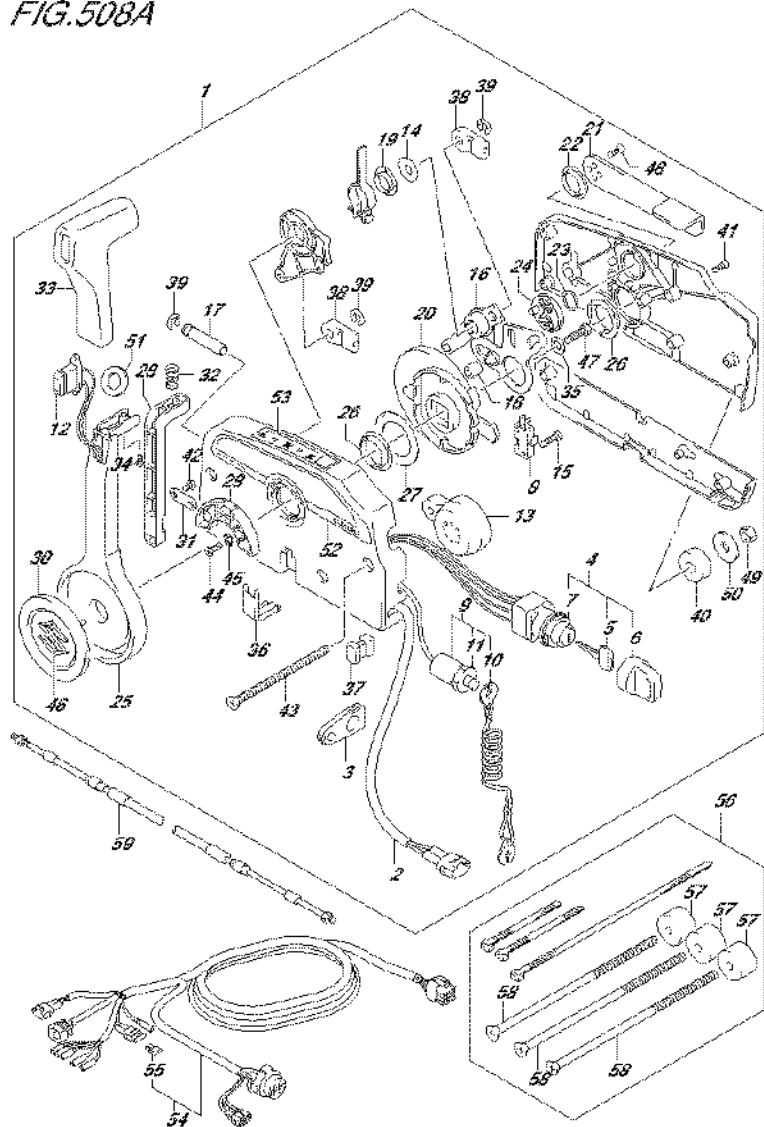


FIG.508A (3-K-8) OPT:REMOTE CONTROL

REF NO.	PART NO.	DESCRIPTION	Q'TY	REMARKS
1	67200-93J50	REMOTE CONTROL ASSY	1	
2	36646-93J01	.WIRE ASSY, PTT SW ADAPTER	1	
3	36628-92E00	.GROMMET, WIRE HARNESS	1	
4	37110-93J11	.SWITCH ASSY, IGNITION	1	
5-1	37141-99E00	..KEY (931)	2	
5-2	37141-99E10	..KEY (932)	2	
5-3	37141-99E20	..KEY (933)	2	
5-4	37141-99E30	..KEY (934)	2	
5-5	37141-99E40	..KEY (935)	2	
5-6	37141-99E50	..KEY (936)	2	
5-7	37141-99E60	..KEY (937)	2	
5-8	37141-99E70	..KEY (938)	2	
5-9	37141-99E80	..KEY (939)	2	
5-10	37141-99E90	..KEY (940)	2	
5-11	37141-99EA0	..KEY (941)	2	
5-12	37141-99EB0	..KEY (942)	2	
6	37143-99E00	..CAP, KEY	2	
7	37149-93J00	..CAP CYLINDER BODY	1	
8	37721-93J91	.SWITCH, NEUTRAL	1	
9	37820-93J04	.SWITCH ASSY, EMERGENCY	1	
10	37823-92E01	..PLATE	1	
11	37826-92J00	..NUT	1	
12	37850-90J05	.SWITCH ASSY, PTT	1	
13	38500-93J90	.BUZZER	1	
14	67212-95600	.WASHER	1	
15	67296-92E11	.SCREW, NEUTRAL SW	2	
16	67220-95630	.PLATE ASSY	1	
17	67223-99E10	.KNOB, BRAKE ADJ	1	
18	67229-95600	.ROLLER	1	
19	67232-95600	.BUSH	1	
20	67238-87D00	.GEAR, DRIVE	1	
21	67241-99E10	.LEVER, FREE THROTTLE	1	
22	67243-95600	.BUSH	1	
23	67244-95600	.WASHER, WAVE	1	

FIG.508A



DF250_E01_016_508A
OPT:REMOTE CONTROL

FIG.508A (3-K-9) OPT:REMOTE CONTROL

REF NO.	PART NO.	DESCRIPTION	Q'TY	REMARKS
24	67245-95600	.DRUM, FREE THROTTLE	1	
25	67251-99E20	.LEVER, HANDLE	1	
26	67252-95600	.BUSH	2	
27	67253-95600	.WASHER	1	
28	67255-99E10	.ARM, LOCK	1	
29	67256-95600	.HOLDER, NEUT LOCK	1	
30	67257-99E10	.CAP, LEVER	1	
31	67258-99E00	.BRACKET, LOCK ARM	1	
32	67259-87D00	.SPRING, NEUTRAL ARM	1	
33	67261-99E10	.GRIP	1	
34	67296-94310	.SCREW	1	
35	67264-95600	.WASHER	1	
36	67267-93J00	.COVER, WIRE	1	
37	67273-95600	.SPACER	1	
38	67275-95600	.END, CABLE	2	
39	67292-94300	.E RING	3	
40	67294-95600	.SPACER	3	
41	67296-90J00	.SCREW	5	
42	67296-94300	.SCREW	2	
43	67296-95600	.SCREW	3	
44	67296-95610	.SCREW	2	
45	67297-95600	.WASHER	2	
46	77811-54GB0-0PG	.EMBLEM, REAR MARK S (CHROME)	1	
47	09100-08232	.BOLT (8X30)	1	
48	09126-05003	.SCREW (5X12)	2	
49	09140-06020	.NUT	3	
50	09160-06104	.WASHER (6.5X24X2)	3	
51	37859-90J00	.SPACER	1	
52	67282-94L00	.DECAL, REMOCON SIDE	1	
53	67284-94L00	.MARK, HANDLE LEVER	1	
54-1	36620-93J02	WIRE ASSY, REMOTE CONTROL	1	L:5000
54-2	36620-93J52	WIRE ASSY, REMOTE CONTROL	1	L:3500
54-3	36620-93J62	WIRE ASSY, REMOTE CONTROL	1	L:6500
55	09481-10501	.FUSE (10A)	1	

FIG.508A

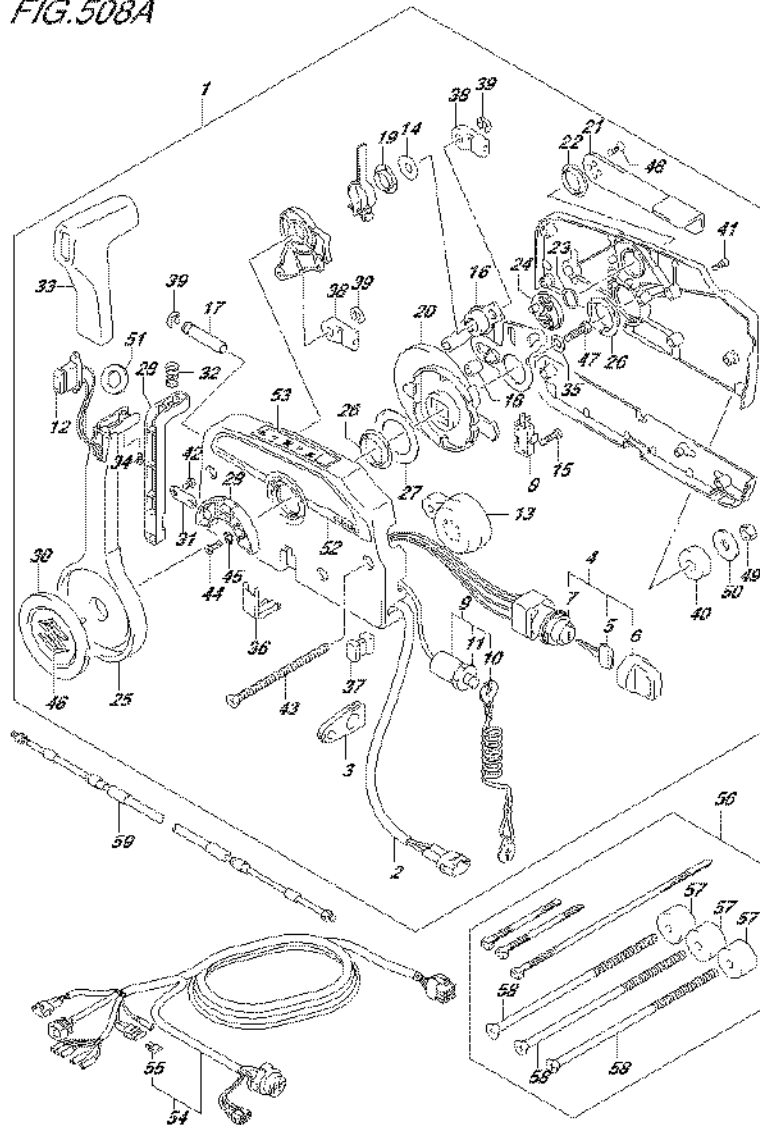


FIG.508A (3-K-10) OPT:REMOTE CONTROL

REF NO.	PART NO.	DESCRIPTION	Q'TY	REMARKS
56	67140-95600	ATTACHMENT, TWIN REMOCON KIT	1	
57	67294-95600	.SPACER	3	
58	67296-95621	.SCREW (L:165)	3	
59-1	67320-93J00	CABLE, REMOCON 8F (2.4M)	2	
59-2	67320-93J10	CABLE, REMOCON 10F (3.1M)	2	
59-3	67320-93J20	CABLE, REMOCON 12F (3.7M)	2	
59-4	67320-93J30	CABLE, REMOCON 14F (4.2M)	2	
59-5	67320-93J40	CABLE, REMOCON 16F (4.8M)	2	
59-6	67320-93J50	CABLE, REMOCON 18F (5.4M)	2	
59-7	67320-93J60	CABLE, REMOCON 20F (6.0M)	2	
59-8	67320-93J70	CABLE, REMOCON 22F (6.7M)	2	
59-9	67320-93J80	CABLE, REMOCON 24F (7.3M)	2	

FIG.517A

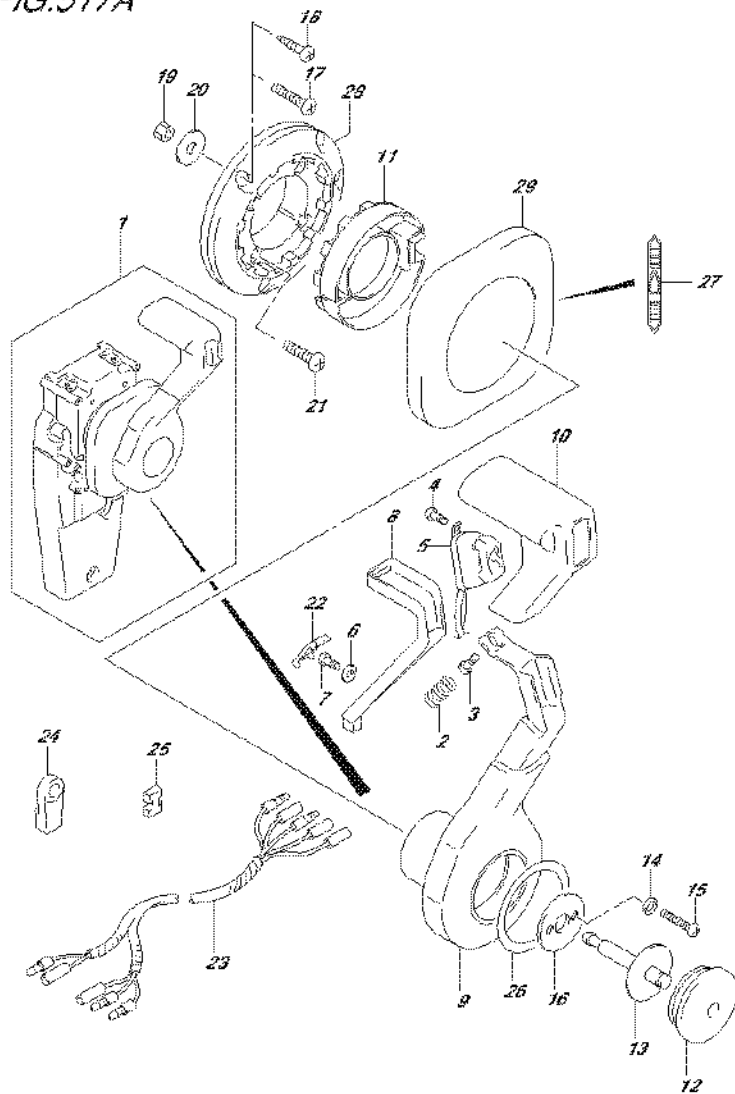
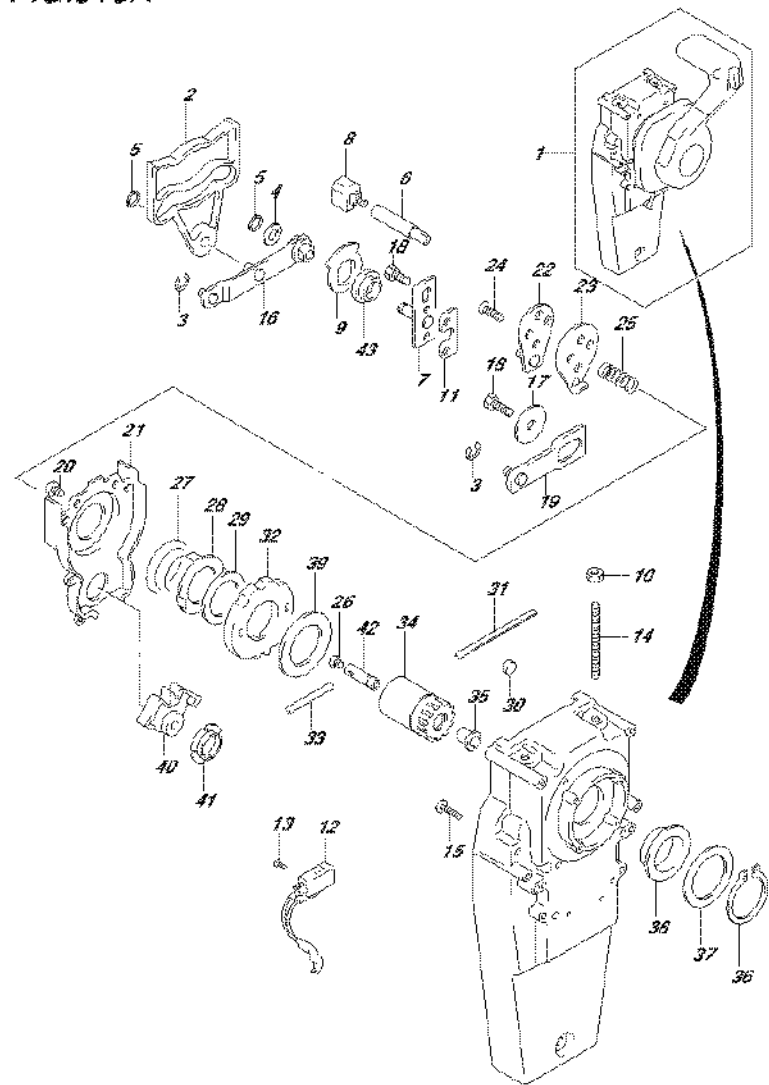


FIG.517A (3-K-11) OPT:CONCEALED REMOCON (1)

REF NO.	PART NO.	DESCRIPTION	Q'TY	REMARKS
1	67200-93J32	REMOTE CONTROL ASSY	1	
2	67298-92E50	.SPRING	1	
3	67296-94310	.SCREW	1	
4	67295-92E10	.SCREW (3X12)	2	
5	37850-92E26	.SWITCH ASSY, PTT	1	
6	67288-92E60	.WASHER	1	
7	09125-04021	.SCREW (4X20)	1	
8	67255-92E50	.ARM, NEUTRAL LOCK	1	
9	67251-92E50	.LEVER	1	
10	67261-92E50	.GRIP	1	
11	67256-92E50	.HOLDER, NEUTRAL LOCK	1	
12	67257-92E00	.CAP, LEVER	1	
13	67242-92E50	.SHAFT, FREE ACC	1	
14	67288-92E20	.WASHER	6	
15	67296-88D10	.SCREW (5X16)	4	
16	67288-92E70	.WASHER	1	
17	67296-88D20	.SCREW (6X35)	3	
18	67295-92E50	.SCREW (6X30)	3	
19	67287-92E50	.NUT	3	
20	09160-06104	.WASHER (6.5X24X2)	3	
21	67296-88D30	.SCREW (5X30)	4	
22	67254-92E50	.COVER, LOCK ARM	1	
23	36890-93J00	.WIRING ASSY	1	
24	67275-95600	.END CABLE	2	
25	67273-95600	.SPACER	1	
26	67283-92E50	.DECAL, LEVER	1	
27	67284-92E50	.DECAL, CLUTCH	1	
28	67274-92E50	.BASE	1	
29	67211-92E50	.COVER	1	

FIG.518A

FIG.518A (3-K-12) OPT:CONCEALED REMOCON (2)



REF NO.	PART NO.	DESCRIPTION	Q'TY	REMARKS
1	67200-93J32	REMOTE CONTROL ASSY	1	
2	67222-92E50	.DUEL PLATE	1	
3	67292-94300	.E RING	3	
4	67288-92E10	.WASHER	1	
5	67291-92E00	.SNAP RING	2	
6	67223-92E50	.BRAKE ADJUST	1	
7	67221-92E50	.HOLDER ASSY	1	
8	67224-92E50	.BRAKE SHOE ASSY	1	
9	67225-92E50	.DISC, BRAKE	1	
10	09140-06020	.NUT	2	
11	67294-92E00	.SPACER	1	
12	37721-95500	.SWITCH ASSY, NEUTRAL	1	
13	67296-92E11	.SCREW (3X15)	2	
14	67226-92E10	.BOLT, STOPPER (REAR)	2	
15	67296-92E20	.SCREW (5X25)	2	
16	67240-92E50	ARM ASSY, THROTTLE	1	
17	67228-92E00	.WASHER	1	
18	67286-92E00	.BOLT (6X18)	3	
19	67230-92E00	ARM ASSY, SHIFT	1	
20	09125-05042	.SCREW (5X10)	11	
21	67234-92E00	.GEAR CASE	1	
22	67245-92E00	LEVER ASSY, THROTTLE	1	
23	67227-92E00	.STOPPER	1	
24	67296-88D10	.SCREW (6X20)	2	
25	67225-92E00	.SPRING	1	
26	09125-04004	.SCREW (4X6)	1	
27	67233-92E00	.SPRING	1	
28	67235-92E00	.PLATE, SHIFT LOCK	1	
29	67239-92E10	.PLATE, SHIFT PIN	1	
30	67236-92E00	.ROLLER	1	
31	67237-92E01	.SPRING	5	
32	67238-92E50	.GEAR, DRIVE	1	
33	67239-92E00	.PIN	1	
34	67246-92E50	.SHAFT, DRIVE	1	

FIG.518A

FIG.518A (3-K-13) OPT:CONCEALED REMOCON (2)

REF NO.	PART NO.	DESCRIPTION	Q'TY	REMARKS
35	67252-92E00	.BUSH	1	
36	67291-92E10	.SNAP RING	1	
37	67253-92E10	.WASHER	1	
38	67252-92E10	.BUSH	1	
39	67253-95600	.WASHER	1	
40	67231-92E00	.GEAR, SHIFT	1	
41	67232-95600	.BUSH	1	
42	67241-92E50	.ROD, FREE ACC	1	
43	67232-92E50	.BUSH	1	

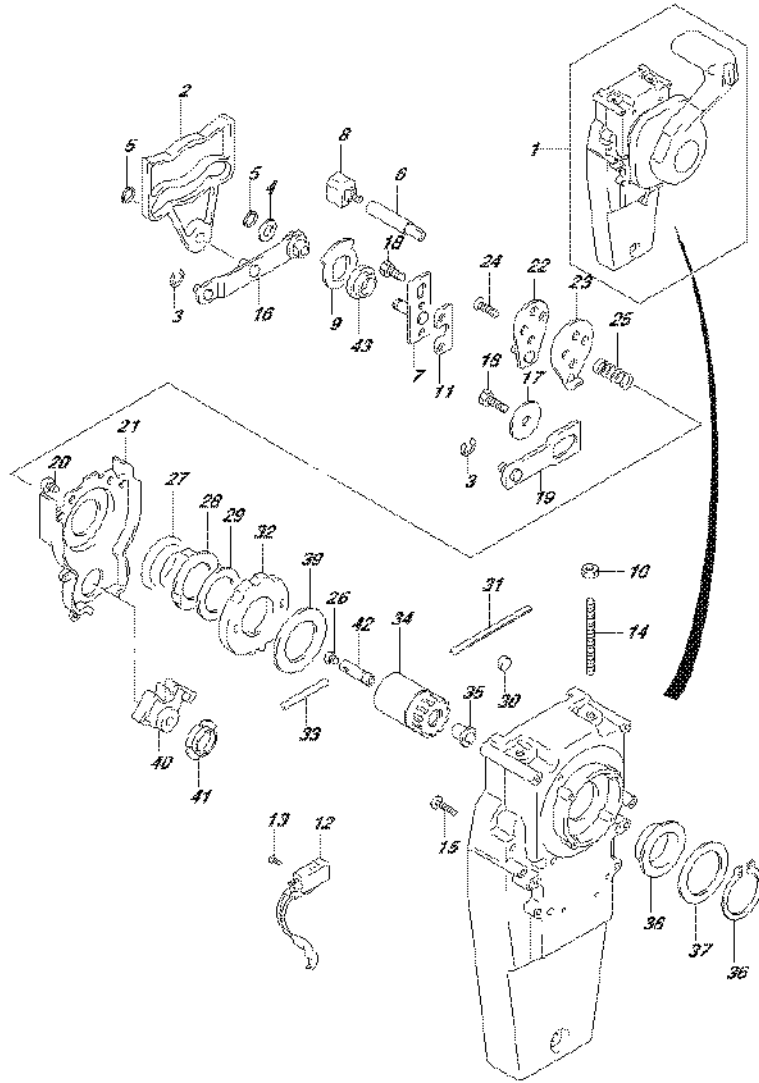


FIG.521A

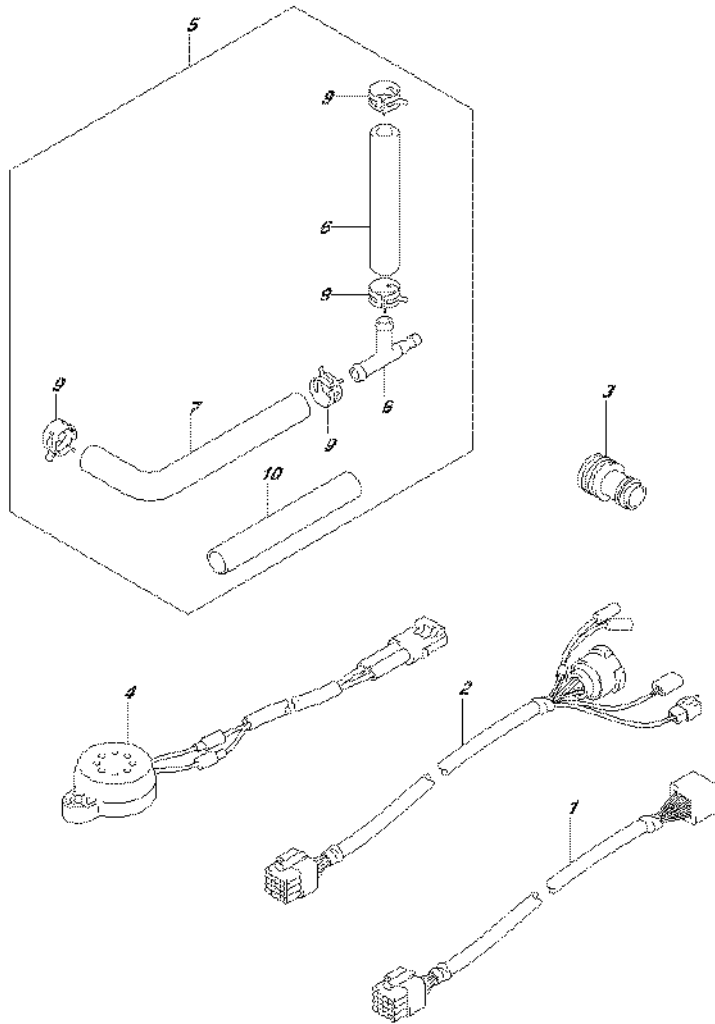


FIG.521A (3-K-14) OPT:HARNESS

REF NO.	PART NO.	DESCRIPTION	Q'TY	REMARKS
1-1	36620-93J10	WIRE ASSY, REMOCON EXTENSION	1	L:2000
1-2	36620-93J40	WIRE ASSY, REMOCON EXTENSION	1	L:3000
2	36620-93J30	WIRE ASSY, REMOCON ADAPTER NO.2	1	L:2000
3	17917-87L00	CONNECTOR, FLUSH WATER	1	
4	38500-93J00	BUZZER ASSY, WARNING	1	
5	34660-93J00	KIT, WATER PRESS GAUGE	1	
6	09352-50903-600	.HOSE (5X9X600)	1	L:600->110
7	09352-50903-00B	.HOSE (5X9X2000)	1	L:2000->750
8	09367-06006	.3 WAY	1	
9	09401-08413	.CLIP	4	
10	18498-87JC0	.PROTECTOR	1	L:450->390

FIG.530A

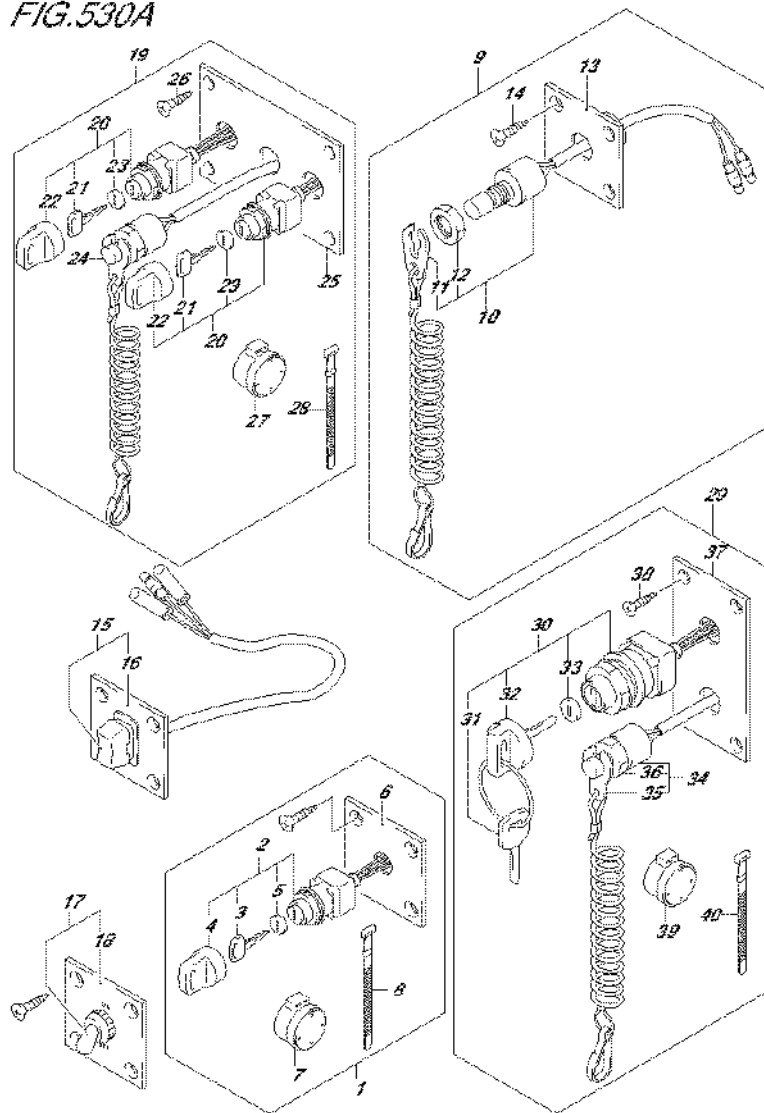


FIG.530A (3-K-15) OPT:SWITCH

REF NO.	PART NO.	DESCRIPTION	Q'TY	REMARKS
1	37100-96J00	PANEL ASSY, IGNITION SW	1	
2	37110-93J01	..SWITCH ASSY, IGNITION	1	
3-1	37141-99E00	..KEY (931)	2	
3-2	37141-99E10	..KEY (932)	2	
3-3	37141-99E20	..KEY (933)	2	
3-4	37141-99E30	..KEY (934)	2	
3-5	37141-99E40	..KEY (935)	2	
3-6	37141-99E50	..KEY (936)	2	
3-7	37141-99E60	..KEY (937)	2	
3-8	37141-99E70	..KEY (938)	2	
3-9	37141-99E80	..KEY (939)	2	
3-10	37141-99E90	..KEY (940)	2	
3-11	37141-99EA0	..KEY (941)	2	
3-12	37141-99EB0	..KEY (942)	2	
4	37143-99E00	..CAP, KEY	1	
5	37149-93J00	..CAP CYLINDER BODY	1	
6	37139-99E00	..PANEL, IGNITION SW	1	
7	38500-93J90	..BUZZER ASSY, WARNING	1	
8	09407-08401	..CLAMP (L:80)	1	
9	37803-93J04	PANEL ASSY, EMERGENCY SW	1	
10	37820-93J04	..SWITCH ASSY, EMERGENCY	1	
11	37823-92E01	..PLATE ASSY, EMERGENCY SWITCH LOCK	1	
12	37826-92J00	..NUT	1	
13	37825-99E00	..PANEL, EMERGENCY SW	1	
14	03122-05165	..SCREW	4	
15	37805-93J00	PANEL ASSY, PTT SW	1	
16	37855-99E00	..PANEL, PTT SW	1	
17	37210-93J00	PANEL ASSY, LIGHTING SW	1	
18	37212-93J00	..PANEL, LIGHTING SW	1	

FIG.530A

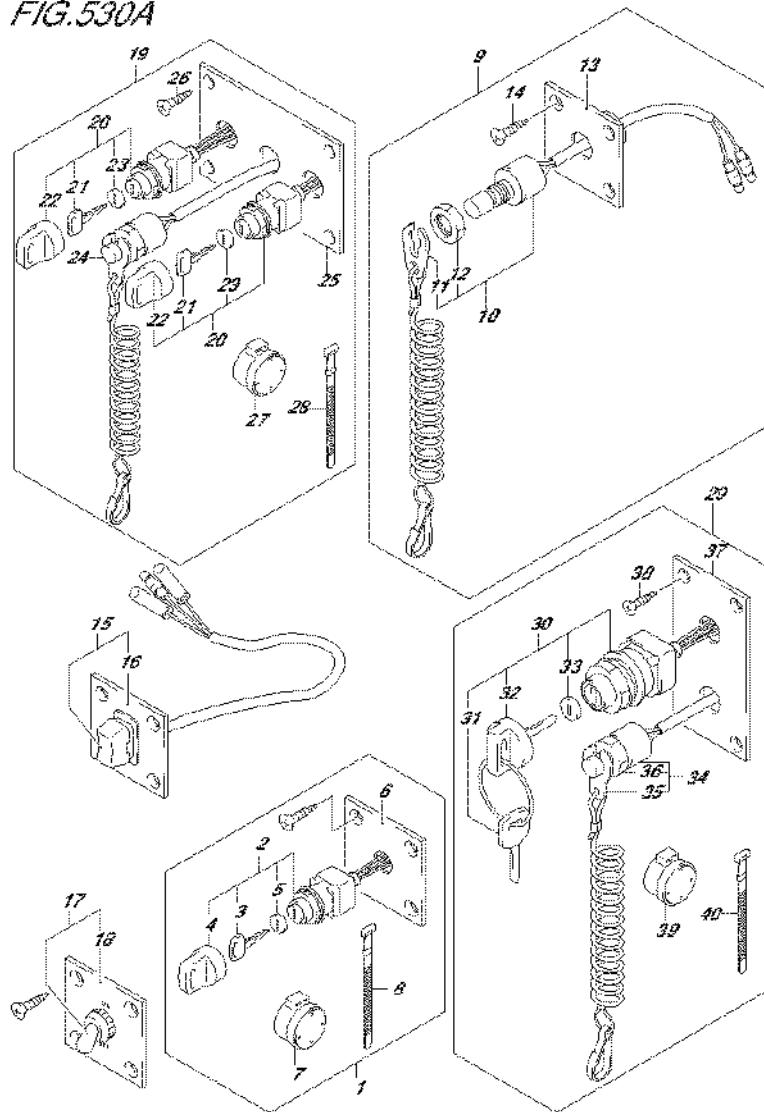


FIG.530A (3-L-2) OPT:SWITCH

REF NO.	PART NO.	DESCRIPTION	Q'TY	REMARKS
19	37100-96J14	PANEL ASSY, DUAL ENGINE SW	1	
20	37110-93J01	.SWITCH ASSY, IGNITION	2	
21-1	37141-99E00	..KEY (931)	4	
21-2	37141-99E10	..KEY (932)	4	
21-3	37141-99E20	..KEY (933)	4	
21-4	37141-99E30	..KEY (934)	4	
21-5	37141-99E40	..KEY (935)	4	
21-6	37141-99E50	..KEY (936)	4	
21-7	37141-99E60	..KEY (937)	4	
21-8	37141-99E70	..KEY (938)	4	
21-9	37141-99E80	..KEY (939)	4	
21-10	37141-99E90	..KEY (940)	4	
21-11	37141-99EA0	..KEY (941)	4	
21-12	37141-99EB0	..KEY (942)	4	
22	37143-99E00	..CAP, KEY	2	
23	37149-93J00	..CAP CYLINDER BODY	2	
24	37820-93J94	.SWITCH ASSY, EMERGENCY	1	
25	37139-99E10	.PANEL	1	
26	03121-0516A	.SCREW	4	
27	38500-93J90	.BUZZER ASSY, WARNING	1	
28	09407-08401	.CLAMP (L:80)	1	
29	37100-96J24	PANEL ASSY, ENGINE SW	1	
30	37110-93J01	.SWITCH ASSY, IGNITION	1	
31-1	37141-99E00	..KEY (931)	2	
31-2	37141-99E10	..KEY (932)	2	
31-3	37141-99E20	..KEY (933)	2	
31-4	37141-99E30	..KEY (934)	2	
31-5	37141-99E40	..KEY (935)	2	
31-6	37141-99E50	..KEY (936)	2	
31-7	37141-99E60	..KEY (937)	2	
31-8	37141-99E70	..KEY (938)	2	
31-9	37141-99E80	..KEY (939)	2	
31-10	37141-99E90	..KEY (940)	2	
31-11	37141-99EA0	..KEY (941)	2	
31-12	37141-99EB0	..KEY (942)	2	
32	37143-99E00	..CAP, KEY	1	

FIG.530A

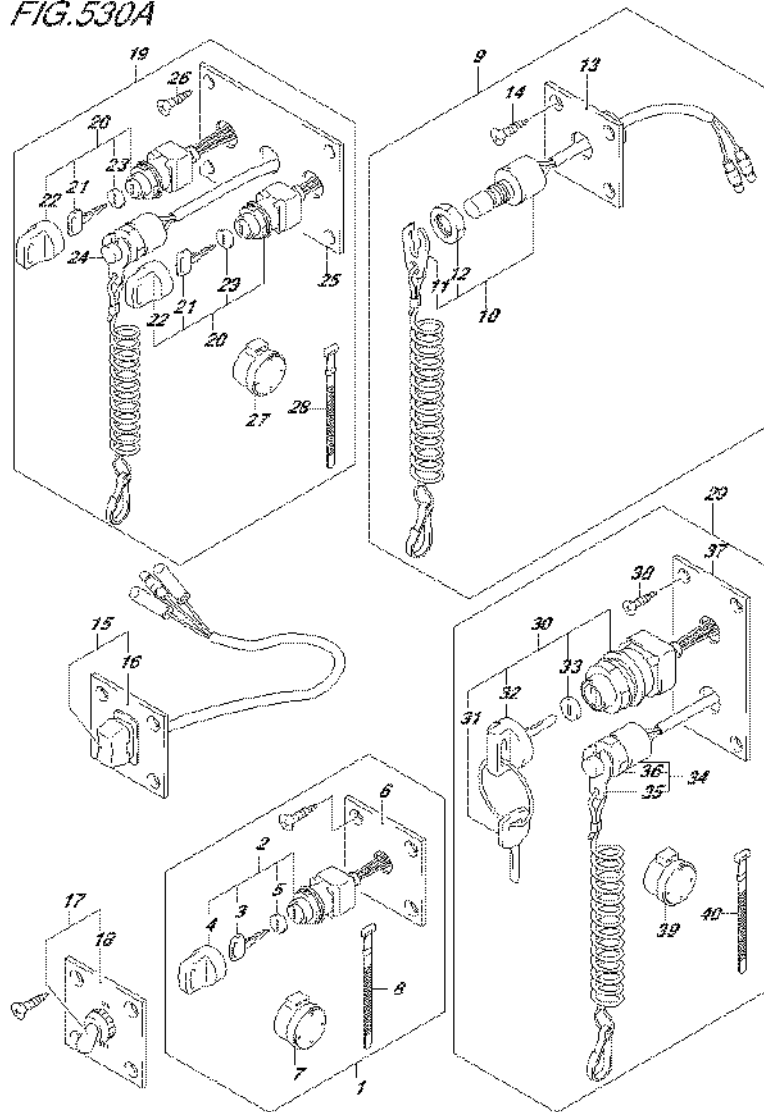


FIG.530A (3-L-3) OPT:SWITCH

REF NO.	PART NO.	DESCRIPTION	Q'TY	REMARKS
33	37149-93J00	..CAP CYLINDER BODY	1	
34	37820-93J04	..SWITCH ASSY, EMERGENCY	1	
35	37823-92E01	..PLATE ASSY, EMERGENCY SW	1	
		LOCK		
36	37826-92J00	..NUT	1	
37	37139-99E20	..PANEL	1	
38	03121-0516A	..SCREW	4	
39	38500-93J90	..BUZZER ASSY, WARNING	1	
40	09407-08401	..CLAMP (L:80)	1	

FIG.541A

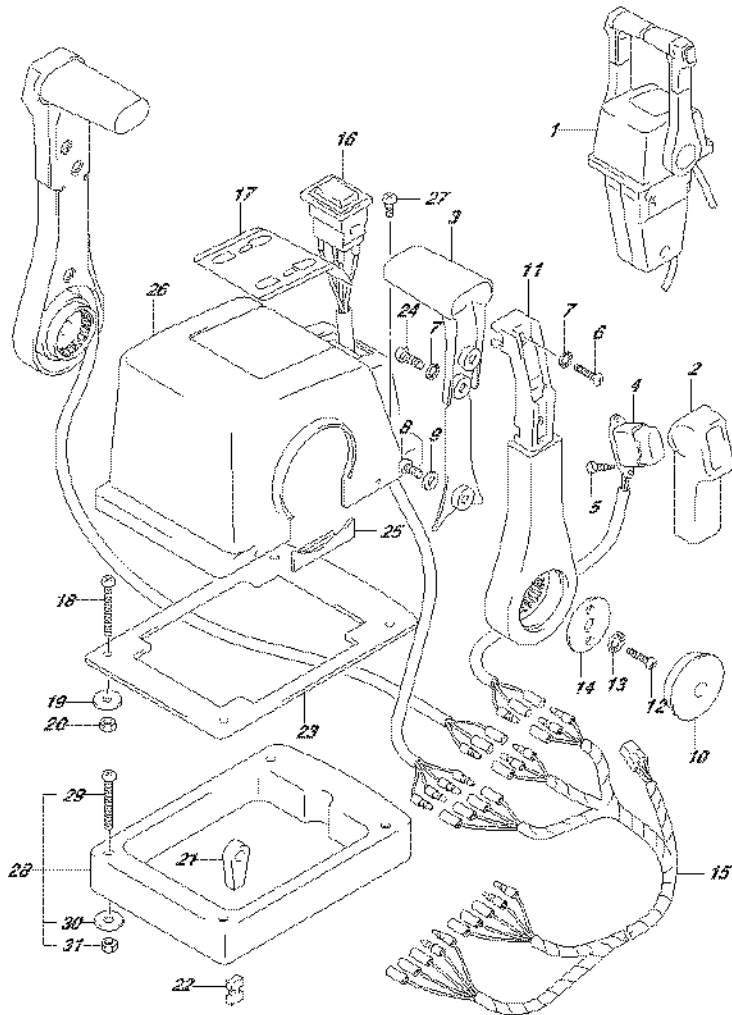


FIG.541A (3-L-4) OPT:REMOTE CONTROL ASSY DUAL (1)

REF NO.	PART NO.	DESCRIPTION	Q'TY	REMARKS
1	67200-93J23	REMOTE CONTROL ASSY	1	
2	67261-93J00	.GRIP, NO.1	2	
3	67263-93J00	.GRIP, NO.2	2	
4	37850-93J10	.SWITCH ASSY, PTT	2	
5	67295-92E10	.SCREW	4	
6	67296-88D10	.SCREW	2	
7	67288-92E20	.WASHER	6	
8	67296-92E70	.SCREW	2	
9	67288-92E40	.WASHER	2	
10	67257-92E00	.CAP, LEVER	2	
11	67251-93J00	.LEVER, HANDLE	2	
12	67296-92E60	.SCREW	4	
13	67288-92E30	.WASHER	4	
14	67253-92E00	.WASHER	2	
15	36890-93J10	.WIRE HARNESS	1	
16	37220-92E00	.SWITCH ASSY, MODE CHANGING	1	
17	67282-93J00	.DECAL	1	
18	67296-92E30	.SCREW	4	
19	09160-05024	.WASHER (5.5X16X1.5)	4	
20	67287-92E00	.NUT	4	
21	67275-95600	.END, CABLE	4	
22	67273-95600	.SPACER	2	
23	67273-92E10	.GROMMET	1	
24	67295-92E00	.SCREW	4	
25	67271-92E00	.COVER	2	
26	67211-93J10	.COVER	1	
27	67296-92E70	.SCREW	2	
28	67500-93J10	KIT, REMOCON SPACER TWIN	1	
29	09125-05135	.SCREW (5X65)	4	
30	09160-05029	.WASHER (5.5X12X0.8)	4	
31	09140-05005	.NUT	4	

FIG.542A

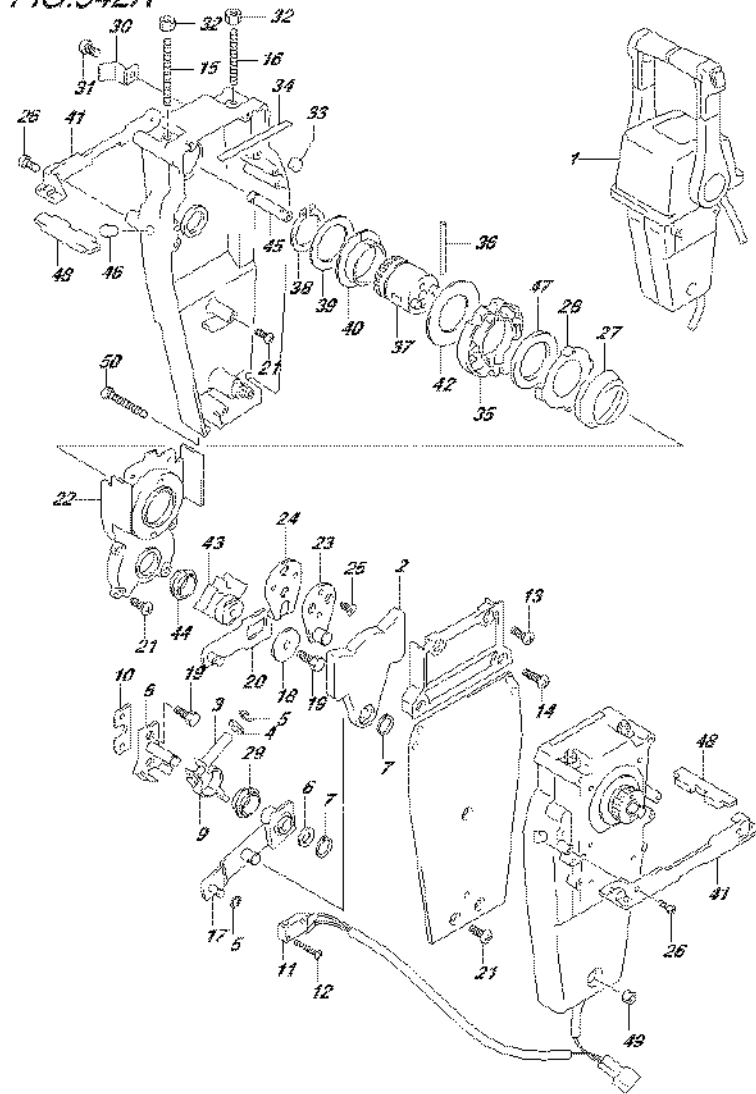


FIG.542A (3-L-5) OPT:REMOTE CONTROL ASSY DUAL (2)

REF NO.	PART NO.	DESCRIPTION	Q'TY	REMARKS
1	67200-93J23	REMOTE CONTROL ASSY	1	
2	67222-92E00	.DUAL PLATE	2	
3	67223-92E00	.BRAKE ADJUST	2	
4	67288-92E00	.WASHER	2	
5	67292-94300	.E RING	8	
6	67288-92E10	.WASHER	2	
7	67291-92E00	.SNAP RING	4	
8	67221-92E00	.SHIFT ASSY	2	
9	67224-92E00	.BRAKE ARM ASSY	2	
10	67294-92E00	.SPACER	2	
11	37721-92E10	.SWITCH ASSY, N/R	1	
12	67296-92E11	.SCREW	4	
13	67296-88D10	.SCREW	4	
14	67296-92E20	.SCREW	4	
15	67226-92E00	.BOLT, STOPPER FRONT	2	
16	67226-92E10	.BOLT, STOPPER RR	2	
17	67240-92E00	.ARM ASSY, THROTTLE	2	
18	67228-92E00	.WASHER	2	
19	67286-92E00	.BOLT	6	
20	67230-92E00	.ARM ASSY, SHIFT	2	
21	09125-05042	.SCREW (5X10)	16	
22	67234-92E00	.CASE, GEAR	2	
23	67245-92E00	.LEVER ASSY, THROTTLE	2	
24	67227-92E00	.STOPPER	2	
25	09126-06006	.SCREW (6X20)	4	
26	67296-95610	.SCREW	4	
27	67233-92E00	.SPRING	2	
28	67235-92E00	.PLATE, SHIFT LOCK	2	
29	67232-95620	.BUSH	2	
30	67269-92E00	.BRACKET	2	
31	67296-88D10	.SCREW	2	
32	09140-06020	.NUT	4	
33	67236-92E00	.ROLLER	2	
34	67237-92E01	.SPRING	12	

FIG.542A

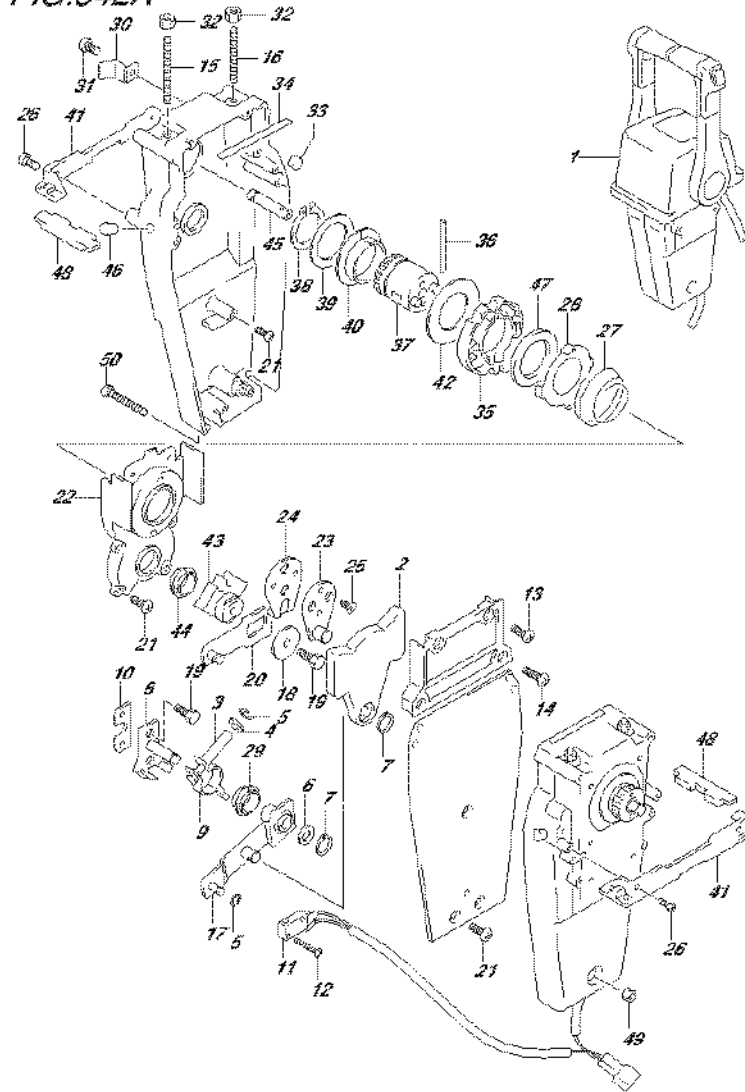


FIG.542A (3-L-6) OPT:REMOTE CONTROL ASSY DUAL (2)

REF NO.	PART NO.	DESCRIPTION	Q'TY	REMARKS
35	67238-92E00	.GEAR, DRIVE	2	
36	67239-92E00	.PIN	2	
37	67246-92E00	.SHAFT, DRIVE	2	
38	67291-92E10	.SNAP RING	2	
39	67253-92E10	.WASHER	2	
40	67252-92E10	.BUSH	2	
41	67274-92E00	.FLANGE	2	
42	67253-95600	.WASHER	2	
43	67231-92E00	.GEAR, SHIFT	2	
44	67232-95600	.BUSH	2	
45	67241-92E10	.ROD, FREE ACC	2	
46	67243-92E00	.CAP, HOLE	2	
47	67239-92E10	.PLATE, SHIFT PIN	2	
48	67272-92E10	.SEAL, FLANGE	2	
49	67287-92E10	.NUT	1	
50	67296-92E80	.SCREW	3	

FIG.544A

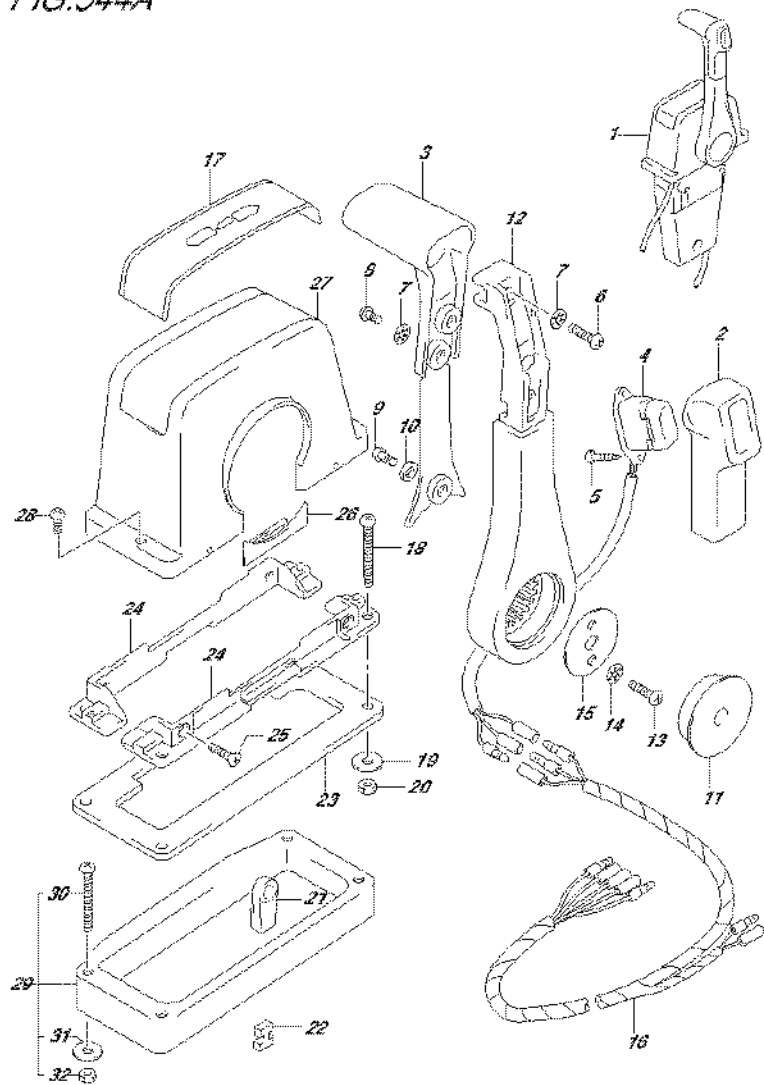


FIG.544A (3-L-7) OPT:REMOTE CONTROL ASSY SINGLE (1)

REF NO.	PART NO.	DESCRIPTION	Q'TY	REMARKS
1	67200-93J13	REMOTE CONTROL ASSY	1	
2	67261-93J00	.GRIP, NO.1	1	
3	67263-93J00	.GRIP, NO.2	1	
4	37850-93J10	.SWITCH ASSY, PTT	1	
5	67295-92E10	.SCREW	2	
6	67296-88D10	.SCREW	1	
7	67288-92E20	.WASHER	3	
8	67295-92E00	.SCREW	2	
9	67296-92E70	.SCREW	1	
10	67288-92E40	.WASHER	1	
11	67257-92E00	.CAP, LEVER	1	
12	67251-93J00	.LEVER, HANDLE	1	
13	67296-92E60	.SCREW	2	
14	67288-92E30	.WASHER	2	
15	67253-92E00	.WASHER	1	
16	36890-93J00	.WIRE HARNESS	1	
17	67281-93J00	.DECAL	1	
18	67296-92E30	.SCREW	4	
19	09160-05024	.WASHER (5.5X16X1.5)	4	
20	67287-92E00	.NUT	4	
21	67275-95600	END, CABLE	2	
22	67273-95600	.SPACER	1	
23	67273-92E00	.GROMMET	1	
24	67274-92E00	.FLANGE	2	
25	67296-95610	.SCREW	4	
26	67271-92E00	.COVER	1	
27	67211-93J00	.COVER	1	
28	67296-92E70	.SCREW	2	
29	67500-93J00	KIT, REMOCON SPACER SINGLE	1	
30	09125-05135	.SCREW (5X65)	4	
31	09160-05029	.WASHER (5.5X12X0.8)	4	
32	09140-05005	.NUT	4	

FIG.545A

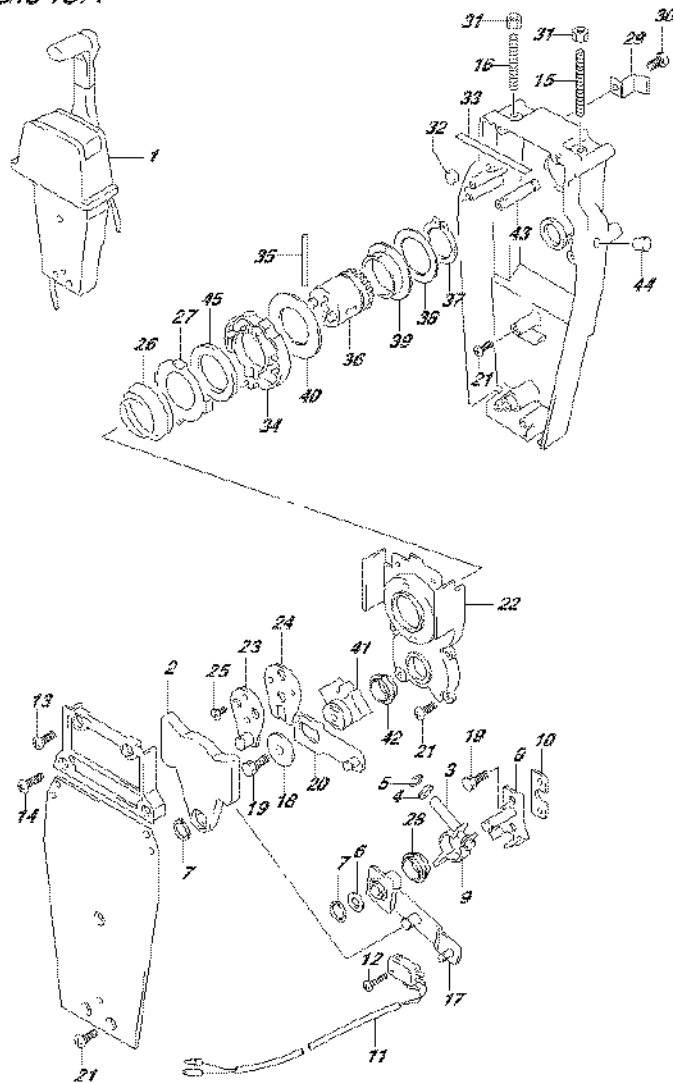


FIG.545A (3-L-8) OPT:REMOTE CONTROL ASSY SINGLE (2)

REF NO.	PART NO.	DESCRIPTION	Q'TY	REMARKS
1	67200-93J13	REMOTE CONTROL ASSY	1	
2	67222-92E00	.DUAL PLATE	1	
3	67223-92E00	.BRAKE ADJUST	1	
4	67288-92E00	.WASHER	1	
5	67292-94300	.E RING	4	
6	67288-92E10	.WASHER	1	
7	67291-92E00	.SNAP RING	2	
8	67221-92E00	.SHIFT ASSY	1	
9	67224-92E00	.BRAKE ARM ASSY	1	
10	67294-92E00	.SPACER	1	
11	37721-95500	.SWITCH ASSY, NEUTRAL	1	
12	67296-92E11	.SCREW (3X15)	2	
13	67296-88D10	.SCREW (5X16)	2	
14	67296-92E20	.SCREW (5X25)	2	
15	67226-92E00	.BOLT, STOPPER FRONT	1	
16	67226-92E10	.BOLT, STOPPER REAR	1	
17	67240-92E00	.ARM ASSY, THROTTLE	1	
18	67228-92E00	.WASHER	1	
19	67286-92E00	.BOLT (6X18)	3	
20	67230-92E00	.ARM ASSY, SHIFT	1	
21	09125-05042	.SCREW (5X10)	9	
22	67234-92E00	.CASE, GEAR	1	
23	67245-92E00	.LEVER ASSY, THROTTLE	1	
24	67227-92E00	.STOPPER	1	
25	09126-06006	.SCREW (6X20)	2	
26	67233-92E00	.SPRING	1	
27	67235-92E00	.PLATE, SHIFT LOCK	1	
28	67232-95620	.BUSH	1	
29	67269-92E00	.BRACKET	1	
30	67296-88D10	.SCREW	1	
31	09140-06020	.NUT	2	
32	67236-92E00	.ROLLER	1	
33	67237-92E01	.SPRING	6	
34	67238-92E00	.GEAR, DRIVE	1	

FIG.545A

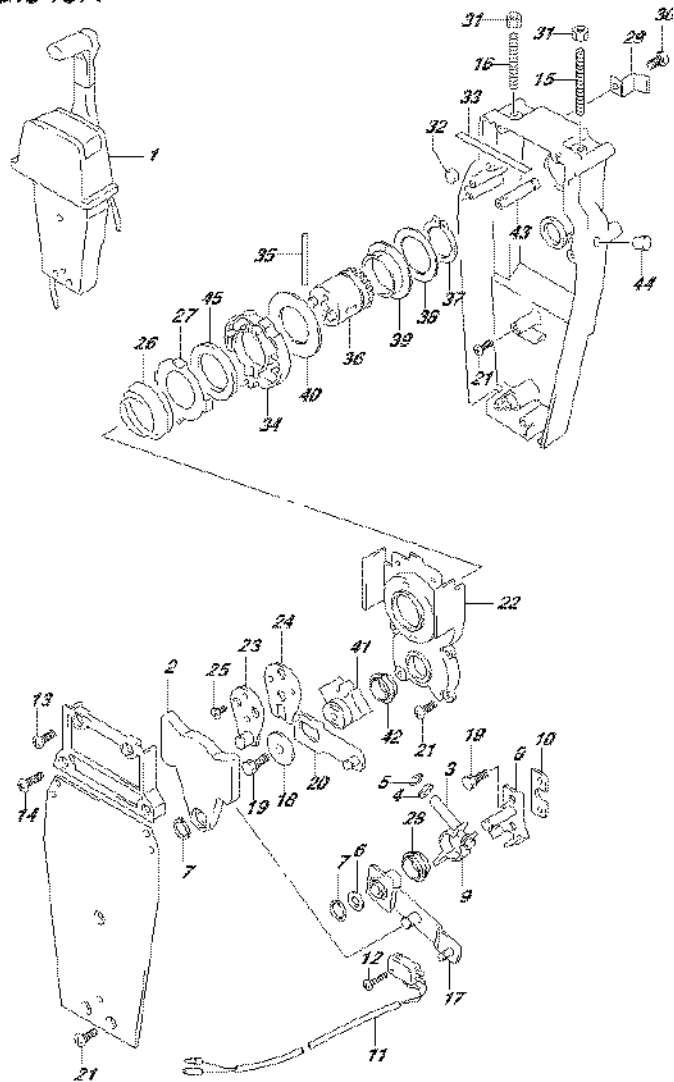


FIG.545A (3-L-9) OPT:REMOTE CONTROL ASSY SINGLE (2)

REF NO.	PART NO.	DESCRIPTION	Q'TY	REMARKS
35	67239-92E00	.PIN	1	
36	67246-92E00	.SHIFT, DRIVE	1	
37	67291-92E10	.SNAP RING	1	
38	67253-92E10	.WASHER	1	
39	67252-92E10	.BUSH	1	
40	67253-95600	.WASHER	1	
41	67231-92E00	.GEAR, SHIFT	1	
42	67232-95600	.BUSH	1	
43	67241-92E10	.ROD, FREE ACC	1	
44	67243-92E00	.CAP, HOLE	1	
45	67239-92E10	.PLATE, SHIFT PIN	1	

FIG.573A

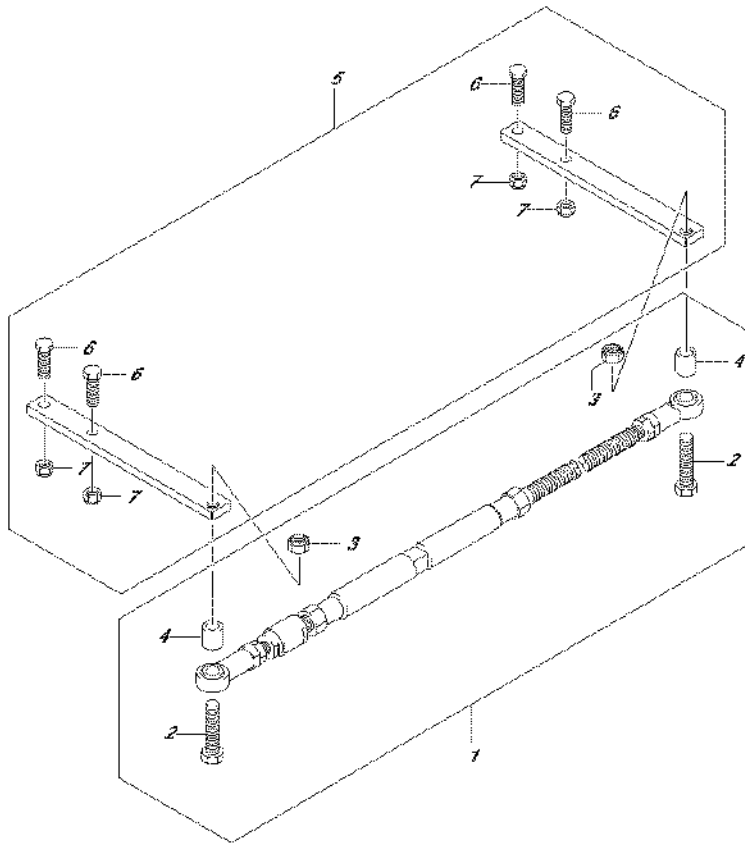


FIG.573A (3-L-10) OPT:TIE ROD

REF NO.	PART NO.	DESCRIPTION	Q'TY	REMARKS
1	67600-93J00	KIT, TIE ROD	1	
2	67725-93J00	.BOLT	2	
3	67726-93J00	.NUT	2	
4	67721-93J00	.SPACER	2	
5	67630-93J00	KIT, STEERING EXTENSION	1	
6	67725-93E00	.BOLT	4	
7	67726-99E00	.NUT	4	



FIG.585A

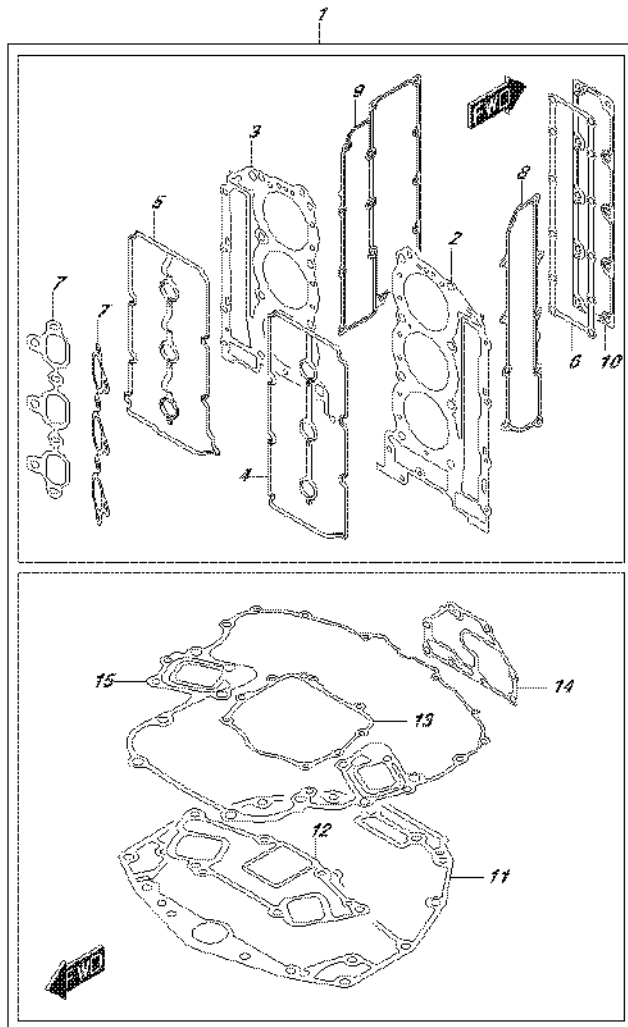


FIG.585A (3-L-11) OPT:GASKET SET

REF NO.	PART NO.	DESCRIPTION	Q'TY	REMARKS
1	11410-93871	GASKET SET	1	
2	11141-93J10	.GASKET, CYL HEAD STBD	1	
3	11142-93J10	.GASKET, CYL HEAD PORT	1	
4	11179-93J00	.GASKET, CYL HEAD COVER STBD	1	
5	11189-93J00	.GASKET, CYL HEAD COVER PORT	1	
6	11332-93J00	.GASKET, CRANKCASE WTR JKT COV	1	
7	13119-93J00	.GASKET, INTAKE MANIFOLD	2	
8	14151-93J00	.GASKET, EXH COVER STBD	1	
9	14152-93J00	.GASKET, EXH COVER PORT	1	
10	11272-93J00	.GASKET, CYL BLOCK PLATE	1	
11	11489-93J00	.GASKET, OIL PAN	1	
12	14212-93J00	.GASKET, EXHAUST TUBE	1	
13	51123-93J00	.GASKET, MOUNT OIL SEAL COVER	1	
14	51142-93J00	.GASKET, ENGINE HOLDER COVER	1	
15	51211-93J00	.GASKET, ENGINE HOLDER	1	

FIG.600A

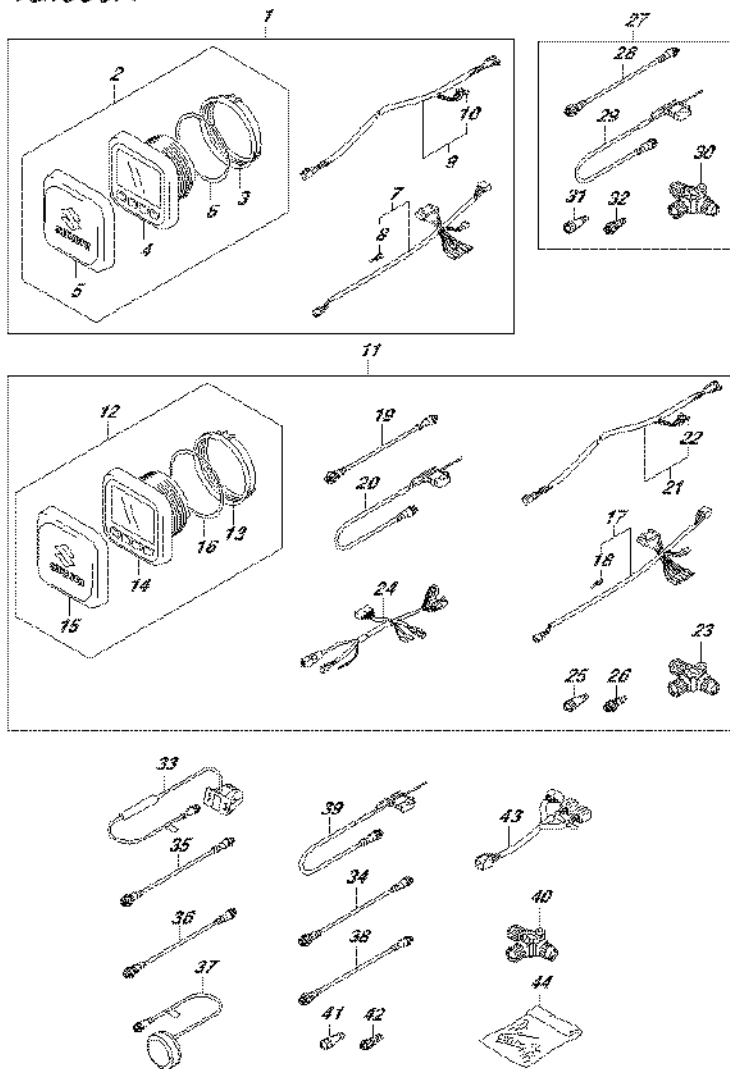


FIG.600A (3-L-12) OPT:MULTI FUNCTION GAUGE

REF NO.	PART NO.	DESCRIPTION	Q'TY	REMARKS
1	34000-96L00	KIT, SINGLE GAUGE MECH	1	
2	34011-96L00	..SET, MULTI GAUGE	1	
3	34112-96L00	..NUT, GAUGE	1	
4	34193-96L00	..BEZEL, GAUGE	1	
5	34211-96L00	..COVER, GAUGE	1	
6	34825-96L00	..PACKING, GAUGE	1	
7	36661-96L10	..ADAPTER, GAUGE	1	
8	36615-96300	..TERMINAL	5	
9	36663-98J10	..WIRE, GAUGE POWER	1	
10	09481-05501	..FUSE (5A)	1	
11	34000-96L10	KIT, DUAL GAUGE MECH	1	
12	34011-96L00	..SET, MULTI GAUGE	2	
13	34112-96L00	..NUT, GAUGE	2	
14	34193-96L00	..BEZEL, GAUGE	2	
15	34211-96L00	..COVER, GAUGE	2	
16	34825-96L00	..PACKING, GAUGE	2	
17	36661-96L10	..ADAPTER, GAUGE	2	
18	36615-96300	..TERMINAL	10	
19	36662-88L10	..WIRE, 2 EXTENSION	2	
20	36663-88L00	..HARNESS ASSY, NETWORK POWER	1	
21	36663-98J10	..WIRE, GAUGE POWER	1	
22	09481-05501	..FUSE (5A)	1	
23	36664-88L00	..CONNECTOR, BRANCH	2	
24	36665-87L00	..ADAPTER, GAUGE FOR MULTI	1	
25	36665-88L00	..UNIT, RESISTOR FEMALE	1	
26	36665-88L10	..UNIT, RESISTOR MALE	1	
27	36001-88L00	SET, WIRE	1	
28	36662-88L10	..WIRE, 2 EXTENSION	1	
29	36663-88L00	..HARNESS ASSY, NETWORK POWER	1	
30	36664-88L00	..CONNECTOR, BRANCH	1	
31	36665-88L00	..UNIT, RESISTOR FEMALE	1	
32	36665-88L10	..UNIT, RESISTOR MALE	1	
33	34190-88L00	SENSOR ASSY, PAD WHEEL	1	
34	36662-88L10	WIRE, 2 EXTENSION	1	
35	36662-88L20	WIRE, 6 EXTENSION	1	
36	36662-88L30	WIRE, 15 EXTENSION	1	

FIG.600A

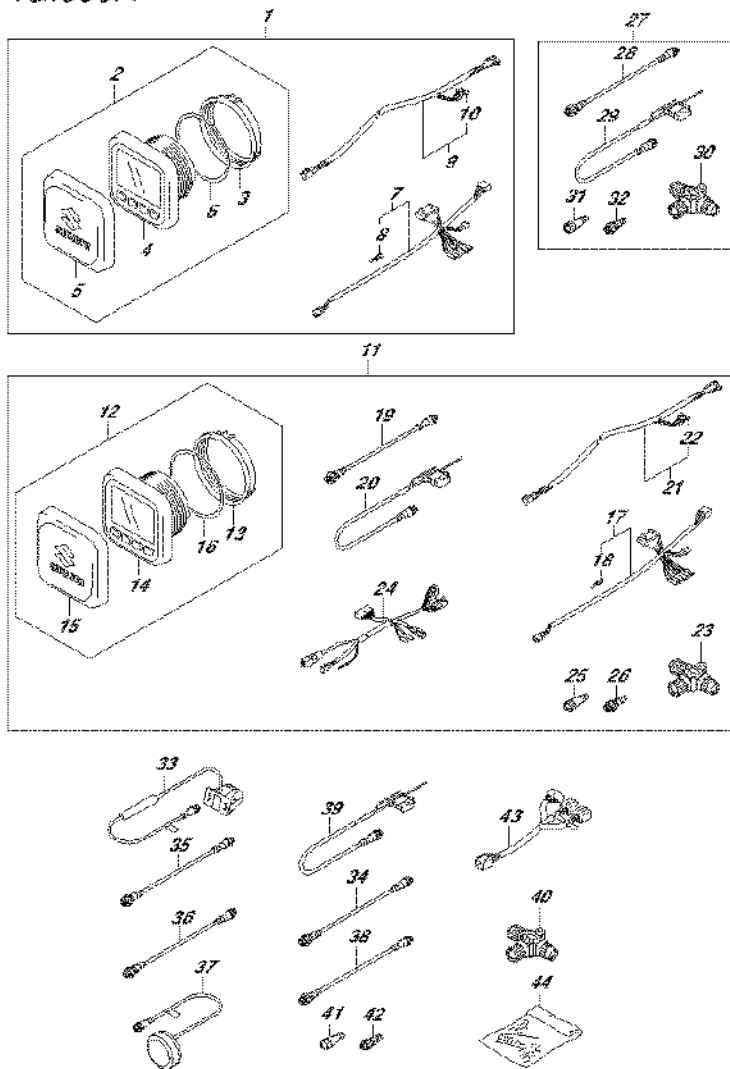


FIG.600A (3-L-13) OPT:MULTI FUNCTION GAUGE

REF NO.	PART NO.	DESCRIPTION	Q'TY	REMARKS
37	39950-88L01	MODULE ASSY, GPS RECEIVER	1	
38	36662-88L00	WIRE, 25 EXTENSION	1	
39	36663-88L00	HARNESS ASSY, NETWORK POWER	1	
40	36664-88L00	CONNECTOR, BRANCH	1	
41	36665-88L00	UNIT, RESISTOR FEMALE	1	
42	36665-88L10	UNIT, RESISTOR MALE	1	
43	36667-96L10	WIRE, DUAL GAUGE ADAPTER	1	
44	36990-87D00	TERMINAL / SLEEVE SET	1	

PART NO.	FIG.NO.-REF.NO.	PART NO.	FIG.NO.-REF.NO.	PART NO.	FIG.NO.-REF.NO.
10000			111J-9		111K-11
			111K-9		111L-11
			111L-9		111M-11
			111M-9		585A-2
			113A-5	11142-93J10	111A-12
	11101-93J13	111A-1	11117-93J10	111A-10	111B-12
		111B-1	11119-93J00	111B-10	111C-12
		111C-1		111C-10	111D-12
		111D-1		111D-10	111E-12
		111E-1		111E-10	111F-12
	111F-1		111F-10	111G-12	
	111G-1		111G-10	111H-12	
	111H-1		111H-10	111J-12	
	111J-1		111J-10	111K-12	
	111K-1		111K-10	111L-12	
	111L-1		111L-10	111M-12	
11103-93J13	111M-1	11128-90J00	111M-10	585A-3	
	111A-5		111A-2	111A-22	
	111B-5		111A-6	111B-22	
	111C-5		111B-2	111C-22	
	111D-5		111B-6	111D-22	
	111E-5		111C-2	111E-22	
	111F-5		111C-6	111F-22	
	111G-5		111D-2	111G-22	
	111H-5		111D-6	111H-22	
	111J-5		111E-2	111J-22	
	111K-5		111E-6	111K-22	
	111L-5		111F-2	111L-22	
	111M-5		111F-6	111M-22	
11112-93J00	113A-4		111G-2	111A-24	
11115-93J10-001	111A-40		111G-6	111B-24	
	111B-40		111H-2	111C-24	
	111C-40		111H-6	111D-24	
	111D-40		111J-2	111E-24	
	111E-40		111J-6	111F-24	
	111F-40		111K-2	111G-24	
	111G-40		111K-6	111H-24	
	111H-40		111L-2	111J-24	
	111J-41		111L-6	111K-24	
	111K-41		111M-2	111L-24	
	111L-41		111M-6	111M-24	
11116-93J01	111M-41	11141-93J10	111A-11	11174-93J00	
	111A-9		111B-11	111A-31	
	111B-9		111C-11	111B-31	
	111C-9		111D-11	111C-31	
	111D-9		111E-11	111D-31	
	111E-9		111F-11	111E-31	
	111F-9		111G-11	111F-31	
	111G-9		111H-11	111G-31	
	111H-9		111J-11	111H-31	
				111I-32	
				111J-32	

PART NO.	FIG.NO.-REF.NO.	PART NO.	FIG.NO.-REF.NO.	PART NO.	FIG.NO.-REF.NO.
			111K-32		111L-39
			111L-32		111M-39
		11189-93J00	111M-32		111A-27
			111A-26		111B-27
11179-93J00			111B-26		111C-27
			111C-26		111D-27
			111D-26		111E-27
			111E-26		111F-27
			111F-26		111G-27
			111G-26		111H-27
			111H-26		111J-27
			111J-26	11293-93J00	113A-1
			111K-26		113A-3
			111K-26		113A-18
			111L-26		113A-19
			111M-26		
			585A-4	585A-5	585A-6
11180-93J02	111A-23	11196-93J00	111A-23	1162A-1	11382-93J00
	111B-23	11197-93J00	111B-23	162A-2	111B-33
	111C-23	11217-85FA0	111C-23	113A-6	111C-33
	111D-23	11261-93J00	111D-23	111A-14	111D-33
	111E-23		111E-23	111B-14	111E-33
	111F-23		111F-23	111C-14	111F-33
	111G-23		111G-23	111D-14	111G-33
	111H-23		111H-23	111E-14	111H-33
	111J-23		111J-23	111F-14	111J-34
11180-93J22	111K-23		111K-23	111G-14	111K-34
	111L-23		111L-23	111H-14	111L-34
	111M-23		111M-23	111J-14	111M-34
11183-93J00	111A-25		111A-25	111K-14	11410-93871
	111B-25		111B-25	111L-14	585A-1
	111C-25		111C-25	111M-14	11435-93J00
	111D-25	11261-93J10-0EP	111D-25	140A-5	180A-14
	111E-25	11261-93J10-Y5S	111E-25	180A-1-1	11489-93J00
	111F-25		111F-25	180A-1-2	585A-11
	111G-25	11270-93J00	111G-25	162A-3	11501-93J02-0EP
	111H-25	11272-93J00	111H-25	162A-4	11501-93J02-Y5S
	111J-25		111J-25	162A-4	11510-93J03
	111K-25		111K-25	585A-10	11515-93J00
	111L-25		111L-25	111A-36	11516-93J00
	111M-25	11291-93J00	111M-25	111B-36	11541-93J00-0EP
	111A-38		111A-38	111C-36	11541-93J00-Y5S
	111B-38		111B-38	111D-36	11591-93J10
	111C-38		111C-38	111E-36	12100-93J00-050
	111D-38		111D-38	111F-36	12100-98810-025
	111E-38		111E-38	111G-36	12100-98810-0A0
11184-93J00	111F-38		111F-38	111H-36	12111-93J02-0B0
	111G-38		111G-38	111I-36	12140-93J00
	111H-38		111H-38	111J-37	12140-93J00-050
	111J-39		111J-39	111K-37	12151-93J10
	111K-39	11291-98J00	111K-39	111L-37	12160-93J10
				111M-37	12220-93J01
				111A-41	12242-93J01
				111B-41	12300-85830
					116A-9-1

PART NO.	FIG.NO.-REF.NO.	PART NO.	FIG.NO.-REF.NO.	PART NO.	FIG.NO.-REF.NO.
12300-85830-012	116A-9-2		121C-4		121L-7
12300-86812-0BA	116A-8-6		121D-4		121M-7
12300-86812-0CA	116A-8-7		121E-4	12761-93J00	119A-8
12300-86812-0DA	116A-8-8		121F-4	12762-93J00	119A-9
12300-86812-0EA	116A-8-9		121G-4	12770-93J00	119A-10
12300-86812-0FA	116A-8-10		121H-4	12771-93J00	119A-14
12340-86FA2-0B0	116A-8-1	12729-93J50	121J-4	12772-93J00	119A-16
12340-86FA2-0C0	116A-8-2		121K-4	12775-93J00	119A-15
12340-86FA2-0D0	116A-8-3		121L-4	12778-93J00	119A-11
12340-86FA2-0E0	116A-8-4		121M-4	12810-93J00	119A-18
12340-86FA2-0F0	116A-8-5	12730-93J02	119A-1	12812-90J00	119A-20
12632-93J11	175A-1	12734-93J00	119A-5	12813-73G00	119A-19
12701-93J30	121A-1	12740-93J00	121J-5	12831-93J01	119A-22
	121B-1		121K-5	12832-93J00	119A-23
	121C-1		121L-5	12833-93J00	119A-24
	121D-1		121M-5	12891-93J00	121A-13
12701-93J40	121E-1	12742-93J10	121A-5		121B-13
	121F-1		121B-5		121C-13
	121G-1		121C-5		121D-13
	121H-1		121D-5		121E-13
12701-93J50	121J-1		121E-5		121F-13
	121K-1		121F-5		121G-13
	121L-1		121G-5		121H-13
	121M-1		121H-5		121J-14
12705-93J30	121A-2	12748-93J00	121A-6		121K-14
	121B-2		121B-6	12892-93J00-218	121L-14
	121C-2		121C-6		121M-14
	121D-2		121D-6		121A-14-1
12705-93J40	121E-2		121E-6		121B-14-1
	121F-2		121F-6		121C-14-1
	121G-2		121G-6		121D-14-1
12705-93J50	121H-2		121H-6		121E-14-1
	121J-2		121J-6		121F-14-1
	121K-2		121K-6		121G-14-1
	121L-2		121L-6		121H-14-1
	121M-2		121M-6		121J-15-1
12721-93J30	121A-3	12749-93J00	121A-7		121K-15-1
	121B-3		121B-7		121L-15-1
	121C-3		121C-7		121M-15-1
	121D-3		121D-7	12892-93J00-220	121A-14-2
	121E-3		121E-7		121B-14-2
	121F-3		121F-7		121C-14-2
	121G-3		121G-7		121D-14-2
	121H-3		121H-7		121E-14-2
12721-93J50	121J-3		121J-8		121F-14-2
	121K-3		121K-8		121G-14-2
	121L-3		121L-8		121H-14-2
	121M-3		121M-8		121J-15-2
12725-93J30	121A-4	12753-93J00	121J-7		121K-15-2
	121B-4		121K-7		121L-15-2

PART NO.	FIG.NO.-REF.NO.	PART NO.	FIG.NO.-REF.NO.	PART NO.	FIG.NO.-REF.NO.
					121M-15-2
12892-93J00-223	121A-14-3		121B-14-7		121D-14-11
	121B-14-3		121C-14-7		121E-14-11
	121C-14-3		121D-14-7		121F-14-11
	121D-14-3		121E-14-7		121G-14-11
	121E-14-3		121F-14-7		121H-14-11
	121F-14-3		121G-14-7		121J-15-11
	121G-14-3		121H-14-7		121K-15-11
	121H-14-3		121J-15-7		121L-15-11
	121I-14-3		121K-15-7		121M-15-11
	121J-15-3		121L-15-7	12892-93J00-245	121A-14-12
	121K-15-3		121M-15-7		121B-14-12
	121L-15-3	12892-93J00-235	121A-14-8		121C-14-12
	121M-15-3		121B-14-8		121D-14-12
12892-93J00-225	121A-14-4		121C-14-8		121E-14-12
	121B-14-4		121D-14-8		121F-14-12
	121C-14-4		121E-14-8		121G-14-12
	121D-14-4		121F-14-8		121H-14-12
	121E-14-4		121G-14-8		121J-15-12
	121F-14-4		121H-14-8		121K-15-12
	121G-14-4		121J-15-8		121L-15-12
	121H-14-4		121K-15-8		121M-15-12
	121I-14-4		121L-15-8	12892-93J00-248	121A-14-13
	121J-15-4		121M-15-8		121B-14-13
	121K-15-4	12892-93J00-238	121A-14-9		121C-14-13
	121L-14-4		121B-14-9		121D-14-13
12892-93J00-228	121A-14-5		121C-14-9		121E-14-13
	121B-14-5		121D-14-9		121F-14-13
	121C-14-5		121E-14-9		121G-14-13
	121D-14-5		121F-14-9		121H-14-13
	121E-14-5		121G-14-9		121J-15-13
	121F-14-5		121H-14-9		121K-15-13
	121G-14-5		121J-15-9		121L-15-13
	121H-14-5		121K-15-9		121M-15-13
	121J-15-5		121L-15-9	12892-93J00-250	121A-14-14
	121K-15-5		121M-15-9		121B-14-14
	121L-15-5	12892-93J00-240	121A-14-10		121C-14-14
	121M-15-5		121B-14-10		121D-14-14
12892-93J00-230	121A-14-6		121C-14-10		121E-14-14
	121B-14-6		121D-14-10		121F-14-14
	121C-14-6		121E-14-10		121G-14-14
	121D-14-6		121F-14-10		121H-14-14
	121E-14-6		121G-14-10		121J-15-14
	121F-14-6		121H-14-10		121K-15-14
	121G-14-6		121J-15-10		121L-15-14
	121H-14-6		121K-15-10		121M-15-14
	121J-15-6		121L-15-10	12892-93J00-253	121A-14-15
	121K-15-6	12892-93J00-243	121A-14-11		121B-14-15
	121L-15-6		121B-14-11		121C-14-15
	121M-15-6		121C-14-11		121D-14-15
12892-93J00-233	121A-14-7		121C-14-11		121E-14-15

PART NO.	FIG.NO.-REF.NO.	PART NO.	FIG.NO.-REF.NO.	PART NO.	FIG.NO.-REF.NO.
	121F-14-15		121H-14-19		121K-15-23
	121G-14-15		121J-15-19		121L-15-23
	121H-14-15		121K-15-19		121M-15-23
	121J-15-15		121L-15-19	12892-93J00-275	121A-14-24
	121K-15-15		121M-15-19		121B-14-24
12892-93J00-255	121L-15-15	12892-93J00-265	121A-14-20		121C-14-24
	121M-15-15		121B-14-20		121D-14-24
	121A-14-16		121C-14-20		121E-14-24
	121B-14-16		121D-14-20		121F-14-24
	121C-14-16		121E-14-20		121G-14-24
	121D-14-16		121F-14-20		121H-14-24
	121E-14-16		121G-14-20		121I-15-24
	121F-14-16		121H-14-20		121K-15-24
	121G-14-16		121J-15-20		121L-15-24
	121H-14-16		121K-15-20		121M-15-24
12892-93J00-258	121J-15-16		121L-15-20	12892-93J00-278	121A-14-25
	121K-15-16		121M-15-20		121B-14-25
	121L-15-16	12892-93J00-268	121A-14-21		121C-14-25
	121M-15-16		121B-14-21		121D-14-25
	121A-14-17		121C-14-21		121E-14-25
	121B-14-17		121D-14-21		121F-14-25
	121C-14-17		121E-14-21		121G-14-25
	121D-14-17		121F-14-21		121H-14-25
	121E-14-17		121G-14-21		121I-15-25
	121F-14-17		121H-14-21		121K-15-25
12892-93J00-260	121G-14-17		121J-15-21		121L-15-25
	121H-14-17		121K-15-21		121M-15-25
	121J-15-17		121L-15-21	12892-93J00-280	121A-14-26
	121K-15-17		121M-15-21		121B-14-26
	121L-15-17	12892-93J00-270	121A-14-22		121C-14-26
	121M-15-17		121B-14-22		121D-14-26
	121A-14-18		121C-14-22		121E-14-26
	121B-14-18		121D-14-22		121F-14-26
	121C-14-18		121E-14-22		121G-14-26
	121D-14-18		121F-14-22		121H-14-26
12892-93J00-263	121E-14-18		121G-14-22		121J-15-26
	121F-14-18		121H-14-22		121K-15-26
	121G-14-18		121J-15-22		121L-15-26
	121H-14-18		121K-15-22		121M-15-26
	121J-15-18		121L-15-22	12892-93J00-283	121A-14-27
	121K-15-18		121M-15-22		121B-14-27
	121L-15-18	12892-93J00-273	121A-14-23		121C-14-27
	121M-15-18		121B-14-23		121D-14-27
	121A-14-19		121C-14-23		121E-14-27
	121B-14-19		121D-14-23		121F-14-27
121C-14-19		121E-14-23		121G-14-27	
121D-14-19		121F-14-23		121H-14-27	
121E-14-19		121G-14-23		121J-15-27	
121F-14-19		121H-14-23		121K-15-27	
121G-14-19		121J-15-23		121L-15-27	

PART NO.	FIG.NO.-REF.NO.	PART NO.	FIG.NO.-REF.NO.	PART NO.	FIG.NO.-REF.NO.
	121M-15-27		121B-14-32		121D-16
12892-93J00-285	121A-14-28		121C-14-32		121E-16
	121B-14-28		121D-14-32		121F-16
	121C-14-28		121E-14-32		121G-16
	121D-14-28		121F-14-32		121H-16
	121E-14-28		121G-14-32		121J-17
	121F-14-28		121H-14-32		121K-17
	121G-14-28		121J-15-32		121L-17
	121H-14-28		121K-15-32		121M-17
	121J-15-28		121L-15-32	12921-93J10	121A-17
	121K-15-28		121M-15-32		121B-17
12892-93J00-288	121L-15-28	12892-93J00-298	121A-14-33		121C-17
	121M-15-28		121B-14-33		121D-17
	121A-14-29		121C-14-33		121E-17
	121B-14-29		121D-14-33		121F-17
	121C-14-29		121E-14-33		121G-17
	121D-14-29		121F-14-33		121H-17
	121E-14-29		121G-14-33		121J-18
	121F-14-29		121H-14-33		121K-18
	121G-14-29		121J-15-33		121L-18
	121H-14-29		121K-15-33	12931-78G00	121M-18
12892-93J00-290	121J-15-29		121L-15-33		121A-18
	121K-15-29		121M-15-33		121B-18
	121L-15-29	12892-93J00-300	121A-14-34		121C-18
	121M-15-29		121B-14-34		121D-18
	121A-14-30		121C-14-34		121E-18
	121B-14-30		121D-14-34		121F-18
	121C-14-30		121E-14-34		121G-18
	121D-14-30		121F-14-34		121H-18
	121E-14-30		121G-14-34		121J-19
	121F-14-30		121H-14-34		121K-19
12892-93J00-293	121G-14-30		121J-15-34		121L-19
	121H-14-30		121K-15-34		121M-19
	121J-15-30		121L-15-34	12932-24400	121A-19
	121K-15-30		121M-15-34		121B-19
	121L-15-30	12911-93J00	121A-15		121C-19
	121M-15-30		121B-15		121D-19
	121A-14-31		121C-15		121E-19
	121B-14-31		121D-15		121F-19
	121C-14-31		121E-15		121G-19
	121D-14-31		121F-15		121H-19
12892-93J00-295	121E-14-31		121G-15		121J-20
	121F-14-31		121H-15		121K-20
	121G-14-31		121J-16		121L-20
	121H-14-31		121K-16		121M-20
	121J-15-31		121L-16	12933-69G10	121A-20
	121K-15-31		121M-16		121B-20
	121L-15-31	12915-93J50	121A-16		121C-20
	121M-15-31		121B-16		121D-20
	121A-14-32		121C-16		121E-20

PART NO.	FIG.NO.-REF.NO.	PART NO.	FIG.NO.-REF.NO.	PART NO.	FIG.NO.-REF.NO.
	121F-20	13139-93J00	163A-2		163C-10
	121G-20		163B-2		163D-10
	121H-20		163C-2		163E-19
	121J-21		163D-2		163F-19
	121K-21		163E-2		163G-19
	121L-21		163F-2		163H-19
	121M-21		163G-2		163J-19
13110-93J00	122A-1		163H-2		163K-19
13119-93J00	122A-2		163J-2		163L-19
	585A-7		163K-2		163M-19
13130-93J21	163E-1		163L-2	13295-10G00	163A-12
	163F-1		163M-2		163B-12
	163G-1	13140-93J03	163E-15		163C-12
	163H-1		163F-15		163D-12
	163J-1		163G-15		163E-21
	163K-1		163H-15		163F-21
	163L-1		163J-15		163G-21
13130-93J30	163M-1		163K-15		163H-21
	163A-1		163L-15		163J-21
	163B-1		163M-15		163K-21
	163C-1	13140-93J13	163A-6		163L-21
	163D-1		163B-6		163M-21
13132-93J00	163E-56		163C-6	13310-93J01	163A-8
	163F-56		163D-6		163B-8
	163G-56	13144-93J00	163A-20		163C-8
	163H-56		163B-20		163D-8
	163J-56		163C-20		163E-17
	163K-56		163D-20		163F-17
	163L-56		163E-32		163G-17
	163M-56		163F-32		163H-17
13133-93J00	163E-57		163G-32		163J-17
	163F-57		163H-32		163K-17
	163G-57		163J-32		163L-17
	163H-57		163K-32		163M-17
	163J-57		163L-32	13312-93J00	163A-9
	163K-57		163M-32		163B-9
	163L-57	13147-93J00	163A-3		163C-9
	163M-57		163B-3		163D-9
13138-93J00	163A-4		163C-3		163E-18
	163B-4		163D-3		163F-18
	163C-4		163E-3		163G-18
	163D-4		163F-3		163H-18
	163E-13		163G-3		163J-18
	163F-13		163H-3		163K-18
	163G-13		163J-3		163L-18
	163H-13		163K-3		163M-18
	163J-13		163L-3	13320-93J00	163A-13
	163K-13		163M-3		163B-13
	163L-13	13279-10G00	163A-10		163C-13
	163M-13		163B-10		163D-13

PART NO.	FIG.NO.-REF.NO.	PART NO.	FIG.NO.-REF.NO.	PART NO.	FIG.NO.-REF.NO.
	163E-22		163F-45		163H-48
	163F-22		163G-45		163J-48
	163G-22		163H-45		163K-48
	163H-22		163J-45		163L-48
	163J-22		163K-45		163M-48
	163K-22		163L-45	13542-93J00	163A-35
	163L-22		163M-45		163B-35
	163M-22		163A-30		163C-35
13355-93J00	163A-11	13521-93J00	163B-30		163D-35
	163B-11		163C-30		163E-49
	163C-11		163D-30		163F-49
	163D-11		163E-44		163G-49
	163E-20		163F-44		163H-49
	163F-20		163G-44		163J-49
	163G-20		163H-44		163K-49
	163H-20		163J-44		163L-49
	163J-20		163K-44		163M-49
	163K-20		163L-44	13543-93J00	163A-36
	163L-20		163M-44		163B-36
	163M-20		163A-24		163C-36
13370-93J00	147A-21	13537-93J00	163B-24		163D-36
	147C-21		163C-24		163E-50
	147E-21		163D-24		163F-50
	147G-21		163E-38		163G-50
	147J-21		163F-38		163H-50
	147L-21		163G-38		163J-50
13370-93J10	147B-17		163H-38		163K-50
	147D-17		163J-38		163L-50
	147F-17		163K-38		163M-50
	147H-17		163L-38	13553-93J00	163A-26
	147K-17		163M-38		163B-26
	147M-17	13538-93J00	163A-33		163C-26
	163A-14		163B-33		163D-26
	163B-14		163C-33		163E-40
	163C-14		163D-33		163F-40
	163D-14		163E-47		163G-40
	163E-23		163F-47		163H-40
	163F-23		163G-47		163J-40
	163G-23		163H-47		163K-40
	163H-23		163J-47		163L-40
	163J-23		163K-47		163M-40
	163K-23		163L-47	13554-93J00	163A-27
	163L-23		163M-47		163B-27
	163M-23		163A-34		163C-27
	164A-1	13541-93J00	163B-34		163D-27
13510-93J00	163A-31		163C-34		163E-41
13514-93J00	163B-31		163D-34		163F-41
	163C-31		163E-48		163G-41
	163D-31		163F-48		163H-41
	163E-45		163G-48		163J-41

PART NO.	FIG.NO.-REF.NO.	PART NO.	FIG.NO.-REF.NO.	PART NO.	FIG.NO.-REF.NO.
13555-93J00	163K-41	13599-93J00	163M-36	13811-93J01	163L-24
	163L-41		163A-32		163M-24
	163M-41		163B-32		134A-2
	163A-23		163C-32		134A-3
	163B-23		163D-32		134A-4
	163C-23		163E-46		134A-5
	163D-23		163F-46		14140-98J01
	163E-37		163G-46		14141-93J01
	163F-37		163H-46		14151-93J00
	163G-37		163J-46		585A-8
163H-37	163K-46	14152-93J00	140A-4	13614-93J00	140A-4
163J-37	163L-46	585A-9	140A-4		
163K-37	163M-46	14154-93J01	180A-10		
163L-37	147B-25	14211-93J00	180A-11		
163M-37	147D-25	14212-93J00	180A-12		
326A-1	147F-25	585A-12	180A-12		
326B-1	147H-25	15100-94900	585A-12		
326C-1	147K-25	147A-1	147A-1		
326D-1	147M-25	147B-1	147B-1		
326E-1	315A-1	147C-1	147C-1		
326F-1	315B-1	147D-1	147D-1	13650-52G00	147E-1
326G-1	315C-1	147E-1	147E-1		
326H-1	315D-1	147F-1	147F-1		
326J-1	315E-1	147G-1	147G-1		
326K-1	315F-1	147H-1	147H-1		
326L-1	315G-1	147J-1	147J-1		
326M-1	315H-1	147K-1	147K-1		
163A-21	315J-1	147L-1	147L-1		
163A-22	315K-1	147M-1	147M-1		
163B-21	315L-1	147A-24	147A-24		
163B-22	315M-1	147C-24	147C-24	13655-87J00	147C-24
163C-21	315A-2	147E-24	147E-24		
163C-22	315B-2	147G-24	147G-24		
163D-21	315C-2	147J-24	147J-24		
163D-22	315D-2	147L-24	147L-24		
163E-35	315E-2	147B-20	147B-20		
163E-36	315F-2	147D-20	147D-20		
163F-35	315G-2	147F-20	147F-20		
163F-36	315H-2	147H-20	147H-20		
163G-35	315J-2	147K-20	147K-20		
163G-36	315K-2	147M-20	147M-20	13710-93J00	147N-20
163H-35	315L-2	147A-2	147A-2		
163H-36	315M-2	147B-2	147B-2		
163J-35	134A-1	147C-2	147C-2		
163J-36	163E-24	147D-2	147D-2		
163K-35	163F-24	147E-2	147E-2		
163K-36	163G-24	147F-2	147F-2		
163L-35	163H-24	147G-2	147G-2		
163L-36	163J-24	147H-2	147H-2		
163M-35	163K-24	147I-2	147I-2		
		147J-2	147J-2	13730-93J00	147K-2
		147K-2	147K-2		
		147L-2	147L-2		
		147M-2	147M-2		
		147N-2	147N-2		
		147O-2	147O-2		
		147P-2	147P-2		
		147Q-2	147Q-2		
		147R-2	147R-2		
		147S-2	147S-2		

PART NO.	FIG.NO.-REF.NO.	PART NO.	FIG.NO.-REF.NO.	PART NO.	FIG.NO.-REF.NO.
15411-93J10	147L-2	15440-93J00	147A-11	15440-93J10	147C-32
	147M-2		147C-11		147D-28
	147A-3		147E-11		147E-32
	147B-3		147G-11		147F-28
	147C-3		147J-11		147G-32
	147D-3		147L-11		147H-28
	147E-3		147B-7		147J-32
	147F-3		147D-7		147K-28
	147G-3		147F-7		147L-32
	147H-3		147H-7		147M-28
147J-3	147K-7	147A-54	15629-99E10	147A-54	
147K-3	147M-7	147B-50			
147L-3	147A-20	147C-50			
147M-3	147C-20	147D-50			
147A-5	147E-20	147E-54			
147B-5	147G-20	147F-50			
147C-5	147J-20	147G-54			
147D-5	147H-20	147H-50			
147E-5	147B-16	147J-54			
147F-5	147D-16	147K-50			
147G-5	147F-16	147L-54	15631-99E10	147L-54	
147H-5	147H-16	147M-50			
147J-5	147K-16	147B-26			
147K-5	147M-16	147D-26			
147L-5	147A-22	147E-26			
147M-5	147C-22	147F-26			
147A-6	147E-22	147G-26			
147B-6	147G-22	147H-26			
147C-6	147J-22	147I-26			
147D-6	147L-22	147K-26			
147E-6	147B-18	147M-26	15632-93J20	147M-26	
147F-6	147D-18	147A-44			
147G-6	147F-18	147A-44			
147H-6	147H-18	147B-40			
147J-6	147K-18	147C-44			
147K-6	147M-18	147D-40			
147L-6	147A-33	147E-44			
147M-6	147B-29	147F-40			
147A-4	147C-33	147G-44			
147B-4	147D-29	147H-40			
147C-4	147E-33	147I-40	15627-93J00	147J-44	
147D-4	147F-29	147K-40			
147E-4	147G-33	147L-44			
147F-4	147H-29	147M-40			
147G-4	147J-33	147N-40			
147H-4	147K-29	147O-40			
147I-4	147L-33	147P-40			
147J-4	147M-29	147Q-40			
147K-4	147A-32	147R-40			
147L-4	147B-28	147S-40			
147M-4	147B-28	147T-40			

PART NO.	FIG.NO.-REF.NO.	PART NO.	FIG.NO.-REF.NO.	PART NO.	FIG.NO.-REF.NO.
15634-93J20	147L-8	15641-90J00	147A-26	15645-93J10	147E-52
	147M-54		147C-26		147G-52
	147A-49		147E-26		147J-52
	147B-45		147G-26		147L-52
	147C-49		147J-26		147B-48
15635-93J20	147D-45	15642-90J00	147L-26	15646-93J00	147D-48
	147E-49		147B-22		147F-48
	147F-45		147D-22		147H-48
	147G-49		147F-22		147K-48
	147H-45		147H-22		147M-48
15636-98J20	147J-49	15643-93J00	147K-22	15647-93J10	147A-9
	147K-45		147M-22		147B-55
	147L-49		147A-27		147C-9
	147M-45		147B-23		147D-55
	147A-43		147C-27		147E-9
15637-93J20	147B-39	15644-93J00	147D-23	15647-93J10	147F-55
	147C-43		147E-27		147G-9
	147D-39		147F-23		147H-55
	147E-43		147G-27		147J-9
	147F-39		147H-23		147K-55
15637-93J20	147G-43	15644-93J00	147J-27	15650-93J00	147L-9
	147H-39		147K-23		147M-55
	147J-43		147L-27		147A-25
	147K-39		147M-23		147C-25
	147L-43		147A-47		147E-25
15637-93J20	147M-39	15644-93J00	147B-43	15647-93J10	147G-25
	147A-38		147C-47		147J-25
	147B-34		147D-43		147L-25
	147C-38		147E-47		147B-21
	147D-34		147F-43		147D-21
15637-93J20	147E-38	15644-93J00	147G-47	15650-93J00	147F-21
	147F-34		147H-43		147H-21
	147G-38		147J-47		147K-21
	147H-34		147K-43		147M-21
	147J-38		147L-47		147A-23
15637-93J20	147K-34	15644-93J00	147M-43	15654-99E00	147B-19
	147L-38		147A-7		147C-23
	147M-34		147B-53		147D-19
	147A-53		147C-7		147E-23
	147B-49		147D-53		147F-19
15637-93J20	147C-53	15644-93J00	147E-7	15654-99E00	147G-23
	147D-49		147F-53		147H-19
	147E-53		147G-7		147J-23
	147F-49		147H-53		147K-19
	147G-53		147J-7		147L-23
15637-93J20	147H-49	15645-93J00	147K-53	15654-99E00	147M-19
	147J-53		147L-7		147A-28
	147K-49		147M-53		147B-24
	147L-53		147A-52		147C-28
	147M-49		147C-52		147D-24

PART NO.	FIG.NO.-REF.NO.	PART NO.	FIG.NO.-REF.NO.	PART NO.	FIG.NO.-REF.NO.
15671-93J00	147E-28	15675-93J00	147G-51	15680-93J21	147J-55
	147F-24		147H-47		147K-51
	147G-28		147J-51		147L-55
	147H-24		147K-47		147M-51
	147J-28		147L-51		144A-22
15672-93J00	147K-24	15681-93J01	147M-47	15686-93J00	144B-22
	147L-28		147A-35		144C-22
	147M-24		147B-31		144D-22
	147A-63		147C-35		144E-22
	147B-60		147D-31		144F-22
15673-98J00	147C-63	15681-93J01	147E-35	15686-93J00	144G-22
	147D-60		147F-31		144H-22
	147E-63		147G-35		144J-22
	147F-60		147H-31		144K-22
	147G-63		147J-35		144L-22
15674-93J00	147H-60	15681-93J01	147K-31	15686-93J00	144M-22
	147J-63		147L-35		147A-40
	147K-60		147M-31		147B-36
	147L-63		144A-19		147C-40
	147M-60		144B-19		147D-36
15674-93J00	147A-41	15681-93J01	144C-19	15686-93J00	147E-40
	147B-37		144D-19		147F-36
	147C-41		144E-19		147G-40
	147D-37		144F-19		147H-36
	147E-41		144G-19		147J-40
15674-93J00	147F-37	15681-93J01	144H-19	15686-93J00	147K-36
	147G-41		144J-19		147L-40
	147H-37		144K-19		147M-36
	147J-41		144L-19		147A-39
	147K-37		144M-19		147B-35
15674-93J00	147L-41	15683-87J00	144A-1	15710-93J00	147C-39
	147M-37		144B-1		147D-35
	147A-45		144C-1		147E-39
	147B-41		144D-1		147F-35
	147C-45		144E-1		147G-39
15674-93J00	147D-41	15683-87J00	144F-1	15710-93J00	147H-35
	147E-45		144G-1		147J-39
	147F-41		144H-1		147K-35
	147G-45		144J-1		147L-39
	147H-41		144K-1		147M-35
15674-93J00	147J-45	15683-87J00	144L-1	15710-93J00	144A-2
	147K-41		144M-1		144B-2
	147L-45		147A-55		144C-2
	147M-41		147B-51		144D-2
	147A-51		147C-55		144E-2
15674-93J00	147B-47	15683-87J00	147D-51	15710-93J00	144F-2
	147C-51		147E-55		144G-2
	147D-47		147F-51		144H-2
	147E-51		147G-55		144J-2
	147F-47		147H-51		144K-2

PART NO.	FIG.NO.-REF.NO.	PART NO.	FIG.NO.-REF.NO.	PART NO.	FIG.NO.-REF.NO.
15717-16G00	144L-2	15760-93J00	147A-31	15830-77EA0	147J-13
	144M-2		147B-27		147K-9
	144A-3		147C-31		147L-13
	144B-3		147D-27		147M-9
	144C-3		147E-31		144A-8
15735-58B00	144D-3	15762-90J00	147F-27	15830-90J00	144C-8
	144E-3		147G-31		144E-8
	144F-3		147H-27		144G-8
	144G-3		147J-31		144J-8
	144H-3		147K-27		144L-8
	144J-3		147L-31		147B-15
	144K-3		147M-27		147D-15
	144L-3		147B-13		147F-15
	144M-3		147D-13		147H-15
	144A-4		147F-13		147K-15
15751-93J00	144B-4	15762-93J00	147H-13	15830-93J00	147M-15
	144C-4		147K-13		147A-14
	144D-4		147M-13		147B-10
	144E-4		144A-7		147C-14
	144F-4		144C-7		147D-10
	144G-4		144E-7		147E-14
	144H-4		144G-7		147F-10
	144J-4		144J-7		147G-14
	144K-4		144L-7		147H-10
	144L-4		144B-7		147J-14
15756-93J01	144M-4	15770-93J00	144D-7	15831-93J00	147K-10
	144A-5		144F-7		147L-14
	144B-5		144H-7		147M-10
	144C-5		144K-7		144A-9
	144D-5		144M-7		144B-9
	144E-5		147A-16		144C-9
	144F-5		147B-12		144D-9
	144G-5		147C-16		144E-9
	144H-5		147D-12		144F-9
	144J-5		147E-16		144G-9
15773-90J00	144K-5	15773-90J00	147F-12	15832-93J00	144H-9
	144L-5		147G-16		144J-9
	144M-5		147H-12		144K-9
	144A-6		147J-16		144L-9
	144B-6		147K-12		144M-9
	144C-6		147L-16		144B-8
	144D-6		147M-12		144D-8
	144E-6		147A-13		144F-8
	144F-6		147B-9		144H-8
	144G-6		147C-13		144K-8
144M-6	144H-6	16431-93J00	147D-9	16113-93J10	144M-8
	144J-6		147E-13		175A-2
	144K-6		147F-9		16400-93J02
	144L-6		147G-13		16430-93J00
	144M-6		147H-9		16431-93J00
					113A-21
					113A-22

PART NO.	FIG.NO.-REF.NO.	PART NO.	FIG.NO.-REF.NO.	PART NO.	FIG.NO.-REF.NO.
16433-93J00	113A-23	16519-93J00	160C-19	17410-93J01	160E-4
	113A-26		160D-19		160F-4
	401A-2		160E-19		160G-4
	401B-2		160F-19		160H-4
	401C-2		160G-19		160J-4
16520-93J00	401D-2	16550-93J00	160H-19	17413-93J02	160K-4
	401E-2		160J-19		160L-4
	401F-2		160K-19		160M-4
	401G-2		160L-19		160A-5
	401H-2		160M-19		160C-5
	401J-2		160A-1		160E-5
	401K-2		160B-1		160G-5
	401L-2		160C-1		160J-5
	401M-2		160D-1		160L-5
	175A-4		160E-1		160B-5
16551-93J00	121J-11	16555-93J00	160F-1	17413-93J12	160D-5
	121K-11		160G-1		160F-5
	121L-11		160H-1		160H-5
	121M-11		160J-1		160K-5
	121A-10		160K-1		160M-5
	121B-10		160L-1		160A-6
	121C-10		160M-1		160B-6
	121D-10		160A-2		160C-6
	121E-10		160C-2		160D-6
	121F-10		160E-2		160E-6
16559-93J00	121G-10	16700-93J00	160G-2	17416-93J00	160F-6
	121H-10		160J-2		160G-6
	121J-12		160L-2		160H-6
	121K-12		160B-2		160J-6
	121L-12		160D-2		160K-6
	121M-12		160F-2		160L-6
	121A-11		160H-2		160M-6
	121B-11		160K-2		160A-7-1
	121C-11		160M-2		160B-7-1
	121D-11		160A-3		160C-7-1
16700-93J00	121E-11	16712-93J00	160B-3	17461-93J00	160D-7
	121F-11		160C-3		160E-7-1
	121G-11		160D-3		160F-7-1
	121H-11		160E-3		160G-7-1
	113A-11		160F-3		160H-7-1
	113A-15		160G-3		160J-7-1
	113A-16		160H-3		160K-7-1
	175A-5		160J-3		160L-7-1
	175A-6		160K-3		160M-7-1
	175A-7		160L-3		160A-7-2
16783-93J01	175A-8	16910-93J00	160M-3	16930-93J00	160C-7-2
	180A-25		160A-4		160E-7-2
	180A-26		160B-4		160F-7-2
	160A-19		160C-4		160G-7-2
	160B-19		160D-4		160H-7-2

PART NO.	FIG.NO.-REF.NO.	PART NO.	FIG.NO.-REF.NO.	PART NO.	FIG.NO.-REF.NO.
	160J-7-2		407J-9		160G-13-1
	160K-7-2		407K-9		160H-13-1
	160L-7-2		407L-12		160J-13-1
	160M-7-2		407M-12		160K-13-1
17561-93J21	160A-7-3	17581-93J00	162A-5		160L-13-1
	160B-7-2	17582-93J00	162A-6		160M-13-1
17562-93J01	160A-8	17611-90J00-0EP	162A-7-1	17632-93J30	160A-13-2
	160B-8	17611-90J00-Y5S	162A-7-2		160B-13-2
	160C-8	17612-93J00	160A-11		160C-13-2
	160D-8		160B-11		160D-13-2
	160E-8		160C-11		160E-13-2
	160F-8		160D-11		160F-13-2
	160G-8		160E-11		160G-13-2
	160H-8		160F-11		160H-13-2
	160J-8		160G-11		160J-13-2
	160K-8		160H-11		160K-13-2
	160L-8		160J-11		160L-13-2
	160M-8		160K-11		160M-13-2
17563-93J00	160A-9		160L-11	17660-99E01	162A-8
	160B-9		160M-11	17670-90J00	162A-9-1
	160C-9	17631-93J20	160A-12-1	17670-90J10	162A-9-2
	160D-9		160B-12-1	17681-93J00	162A-10
	160E-9		160C-12-1	17711-90J00	162A-11
	160F-9		160D-12-1	17712-93J00	162A-12
	160G-9		160E-12-1	17713-98J00	162A-36
	160H-9		160F-12-1	17895-93J00	134A-6
	160J-9		160G-12-1	17913-93J00	401A-3
	160K-9		160H-12-1		401B-3
	160L-9		160J-12-1		401C-3
	160M-9		160K-12-1		401D-3
17564-93J00	160A-10		160L-12-1		401E-3
	160B-10	17631-93J30	160M-12-1		401F-3
	160C-10		160A-12-2		401G-3
	160D-10		160B-12-2		401H-3
	160E-10		160C-12-2		401J-3
	160F-10		160D-12-2		401K-3
	160G-10		160E-12-2		401L-3
	160H-10		160F-12-2		401M-3
	160J-10		160G-12-2		410A-44
	160K-10		160H-12-2		410B-44
	160L-10		160J-12-2		410C-44
	160M-10		160K-12-2		410D-44
17566-87D11	407A-9		160L-12-2		410E-44
	407B-6		160M-12-2		410F-44
	407C-12	17632-93J20	160A-13-1		410G-44
	407D-9		160B-13-1		410H-44
	407E-9		160C-13-1		410J-44
	407F-9		160D-13-1		410K-44
	407G-12		160E-13-1		410L-44
	407H-12		160F-13-1		410M-44

PART NO.	FIG.NO.-REF.NO.	PART NO.	FIG.NO.-REF.NO.	PART NO.	FIG.NO.-REF.NO.
	410N-44		163L-4		163M-12
	410P-44		163M-4	18498-93J00	144A-10
17914-93J00	401A-4	18117-93J00	163E-5		144B-10
	401B-4		163F-5		144C-10
	401C-4		163G-5		144D-10
	401D-4		163H-5		144E-10
	401E-4		163J-5		144F-10
	401F-4		163K-5		144G-10
	401G-4		163L-5		144H-10
	401H-4		163M-5		144J-10
	401J-4	18119-93J00	163E-6		144K-10
	401K-4		163F-6		144L-10
	401L-4		163G-6		144M-10
	401M-4		163H-6	18498-93J10	147A-59
	410A-45		163J-6		147B-68
	410B-45		163K-6		147C-59
	410C-45		163L-6		147D-68
	410D-45		163M-6		147E-59
	410E-45	18137-93J00	163A-15		147F-68
	410F-45		163B-15		147G-59
	410G-45		163C-15		147H-68
	410H-45		163D-15		147J-59
	410J-45		163E-25		147K-68
	410K-45		163F-25		147L-59
	410L-45		163G-25		147M-68
	410M-45		163H-25	18590-68H00	163A-7
	410N-45		163J-25		163B-7
	410P-45		163K-25		163C-7
17915-98J01	162A-38		163L-25		163D-7
17917-87L00	410A-49		163M-25		163E-16
	410B-49	18417-93J00	147A-67		163F-16
	410C-49		147B-64		163G-16
	410D-49		147C-67		163H-16
	410E-49		147D-64		163J-16
	410F-49		147E-67		163K-16
	410G-49		147F-64		163L-16
	410H-49		147G-67		163M-16
	410J-49		147H-64	19115-93J01	164A-2
	410K-49		147J-67	19121-93J02	164A-3
	410L-49		147K-64	19148-93J00	164A-4
	410M-49		147L-67	19184-93J00	164A-5
	410N-49		147M-64	19185-93J00	164A-6
	410P-49	18498-87J00	521A-10		
	521A-3	18498-90J00	163E-12		
18116-93J00	163E-4		163F-12		
	163F-4		163G-12		
	163G-4		163H-12		
	163H-4		163J-12		
	163J-4		163K-12		
	163K-4		163L-12		

20000

PART NO.	FIG.NO.-REF.NO.	PART NO.	FIG.NO.-REF.NO.	PART NO.	FIG.NO.-REF.NO.
21100-93J01	204A-1		204C-5		204C-7
	204B-1		204D-5		204D-7
	204C-1		204E-5		204E-7
	204D-1		204F-5		204F-7
	204E-1		204G-5		204G-7
	204F-1		204H-5		204H-7
	204G-1		204J-5		204J-7
	204H-1		204K-5		204K-7
	204J-1		204L-5		204L-7
	204K-1		204M-5		204M-7
204L-1	21230-93J01	204A-6	23111-93J10	204A-7-2	
204M-1		204B-6		204B-7-2	
21131-93J00	204A-2		204C-6	23115-93J00	204A-8
	204B-2		204D-6		204B-8
	204C-2		204E-6		204C-8
	204D-2		204F-6		204D-8
21151-93J00	204E-2		204G-6		204E-8
	204F-2		204H-6		204F-8
	204G-2		204J-6		204G-8
	204H-2		204K-6		204H-8
	204J-2		204L-6		204J-8
	204K-2	22511-99011	204M-6		204K-8
	204L-2		336A-1	25111-93J00	204L-8
	204M-2		336B-1		204M-8
	204A-3		336C-1		206A-1-1
	204B-3		336D-1		206B-1
21155-93J00	204C-3		336E-1		206C-1-1
	204D-3		336F-1		206D-1
	204E-3		336G-1		206E-1-1
	204F-3		336H-1		206F-1-1
	204G-3		336J-1		206G-1-1
	204H-3		336K-1		206H-1-1
	204J-3		336L-1		206J-1-1
	204K-3		336M-1		206K-1-1
	204L-3		336N-1		206L-1-1
	204M-3		336P-1		206M-1-1
21210-93J01	204A-4		401A-11	25111-93J10	206A-1-2
	204B-4		401B-11		206C-1-2
	204C-4		401C-11		206E-1-2
	204D-4		401D-11		206F-1-2
	204E-4		401E-11		206G-1-2
	204F-4		401F-11		206H-1-2
	204G-4		401G-11		206J-1-2
	204H-4		401H-11		206K-1-2
	204J-4		401J-11		206L-1-2
	204K-4		401K-11		206M-1-2
21210-93J01	204L-4	23111-93J00	401L-11	25131-93J00	206A-2
	204M-4		401M-11		206B-2
	204A-5		204A-7-1		206C-2
	204B-5		204B-7-1		206D-2

PART NO.	FIG.NO.-REF.NO.	PART NO.	FIG.NO.-REF.NO.	PART NO.	FIG.NO.-REF.NO.
	206E-2		206G-3		405F-25
	206F-2		206H-3		405G-25
	206G-2		206J-3		405H-25
	206H-2		206K-3		405J-25
	206J-2		206L-3		405K-25
25141-93J00	206K-2	25321-93J00	206M-3	29103-93J30	405L-25
	206L-2		206A-8	29116-93J00	405M-25
	206M-2		206B-8		180A-3
	206A-5		206C-8		180A-13
	206B-5		206D-8		206A-9
	206C-5		206E-8		206B-9
	206D-5		206F-8		206C-9
	206E-5		206G-8		206D-9
	206F-5		206H-8		206E-9
	206G-5		206J-8		206F-9
25223-94400	206H-5		206K-8		206G-9
	206J-5		206L-8		206H-9
	206K-5		206M-8		206J-9
	206L-5	25700-93J00	407A-32		206K-9
	206M-5		407B-29		206L-9
	204A-9		407C-35		206M-9
	204B-9		407D-32	29125-93J00	326A-16
	204C-9		407E-32		326B-16
	204D-9		407F-32		326C-16
	204E-9		407G-35		326D-16
29103-93J00	204F-9		407H-35		326E-16
	204G-9		407J-32		326F-16
	204H-9		407K-32		326G-16
	204J-9		407L-35		326H-16
	204K-9		407M-35		326J-16
	204L-9		180A-23		326K-16
	204M-9		315A-8	29141-93J20	326L-16
	206A-6		315A-18		326M-16
	206B-6		315B-8		337A-25
	206C-6		315B-18		337B-25
25232-96302	206D-6		315C-8		337C-25
	206E-6		315D-8		337D-25
	206F-6		315E-8		337E-25
	206G-6		315F-8		337F-25
	206H-6		315G-8		337G-25
	206J-6		315H-8		337H-25
	206K-6		315J-8		337J-25
	206L-6		315K-8		337K-25
	206M-6		315L-8		337L-25
	206A-3		315M-8		337M-25
25131-93J00	206B-3		405A-25		337N-20
	206C-3		405B-21		337P-20
	206D-3		405C-25		405N-4
	206E-3		405D-21		405P-4
	206F-3		405E-25		407A-7

PART NO.	FIG.NO.-REF.NO.	PART NO.	FIG.NO.-REF.NO.	PART NO.	FIG.NO.-REF.NO.
	407C-10				340B-5
	407E-7				340C-5
	407F-7		30000		340D-5
	407G-10				340E-5
	407H-10				340F-5
	407J-7	31100-96J02	301A-1		340G-5
	407K-7	31111-94900	340A-2		340H-5
	407L-10		340B-2		340J-5
	407M-10		340C-2		340K-5
29404-93J10	180A-24		340D-2		340L-5
	315A-11		340E-2		340M-5
	315B-11		340F-2		340N-6
	315C-11		340G-2		340P-6
	315D-11		340H-2	31135-90J00	301A-3
	315E-11		340J-2	31135-94900	340A-6
	315F-11		340K-2		340B-6
	315G-11		340L-2		340C-6
	315H-11		340M-2		340D-6
	315J-11		340N-2		340E-6
	315K-11		340P-2		340F-6
	315L-11	31123-94910	340A-3		340G-6
	315M-11		340B-3		340H-6
	322A-18		340C-3		340J-6
	322B-18		340D-3		340K-6
	322C-18		340E-3		340L-6
	322D-18		340F-3		340M-6
	322E-18		340G-3		340N-7
	322F-18		340H-3		340P-7
	322G-18		340J-3	31136-90J10	340A-7
	322H-18		340K-3		340B-7
	322J-18		340L-3		340C-7
	322K-18		340M-3		340D-7
	322L-18		340N-4		340E-7
	322M-18		340P-4		340F-7
	340N-20	31131-90J01	301A-2		340G-7
	340P-20	31133-90J00	340A-4		340H-7
	405A-24		340B-4		340J-7
	405B-20		340C-4		340K-7
	405C-24		340D-4		340L-7
	405D-20		340E-4		340M-7
	405E-24		340F-4		340N-8
	405F-24		340G-4		340P-8
	405G-24		340H-4	31151-94J01	301A-4
	405H-24		340J-4	31152-90J00	301A-5
	405J-24		340K-4	31153-90J00	301A-6
	405K-24		340L-4	31170-90J00	301A-19
	405L-24		340M-4	31171-96J00	301A-7
	405M-24		340N-5	31173-90J02	301A-8
29404-93J20	315A-16		340P-5	31173-94910	340A-8
	315B-16	31133-94900	340A-5		340B-8

PART NO.	FIG.NO.-REF.NO.	PART NO.	FIG.NO.-REF.NO.	PART NO.	FIG.NO.-REF.NO.
	340C-8	31914-93J00	301A-18	32800-93J03	310A-1
	340D-8	31918-90J10	301A-21	32805-93J00	310A-2
	340E-8	32102-93J02	303A-1	32890-93J01	310A-3
	340F-8		303B-1	32891-93J00	310A-4
	340G-8		303C-1	33220-69J00	303A-9
	340H-8		303D-1		303B-9
	340J-8		303E-1		303C-9
	340K-8		303F-1		303D-9
	340L-8		303G-1		303E-9
	340M-8		303H-1		303F-9
	340N-3		303J-1		303G-9
	340P-3		303K-1		303H-9
31191-96J00	301A-9		303L-1		303J-9
31220-94J00	301A-10		303M-1		303K-9
31281-92J10	340A-11	32120-93J00	303A-4		303L-9
	340B-11		303B-4		303M-9
	340C-11		303C-4	33221-42F00	303A-10
	340D-11		303D-4		303B-10
	340E-11		303E-4		303C-10
	340F-11		303F-4		303D-10
	340G-11		303G-4		303E-10
	340H-11		303H-4		303F-10
	340J-11		303J-4		303G-10
	340K-11		303K-4		303H-10
	340L-11		303L-4		303J-10
	340M-11		303M-4		303K-10
	340N-11	32131-93J00	303A-5		303L-10
	340P-11		303B-5		303M-10
31310-90J00	301A-11		303C-5	33410-93J00	310A-9
31311-93J00	340A-9		303D-5	33634-96J00	322A-9
	340B-9		303E-5		322B-9
	340C-9		303F-5		322C-9
	340D-9		303G-5		322D-9
	340E-9		303H-5		322E-9
	340F-9		303J-5		322F-9
	340G-9		303K-5		322G-9
	340H-9		303L-5		322H-9
	340J-9		303M-5		322J-9
	340K-9	32160-88L00	303A-7		322K-9
	340L-9		303B-7		322L-9
	340M-9		303C-7		322M-9
31311-94900	340N-10		303D-7	33799-97E00	340A-10
	340P-10		303E-7		340B-10
31320-93J00	301A-12		303F-7		340C-10
31341-93J00	301A-13		303G-7		340D-10
31343-90J00	301A-14		303H-7		340E-10
31344-90J00	301A-15		303J-7		340F-10
31360-93J01	301A-16		303K-7		340G-10
31912-93J01	301A-20		303L-7		340H-10
31913-93J00	301A-17		303M-7		340J-10

PART NO.	FIG.NO.-REF.NO.	PART NO.	FIG.NO.-REF.NO.	PART NO.	FIG.NO.-REF.NO.
	340K-10	34100-93J52	501A-3-6		460C-1-1
	340L-10	34100-93J61	501A-3-7		460D-1-1
	340M-10	34112-96L00	600A-3		460E-1-1
	340N-9		600A-13		460F-1-1
	340P-9	34190-87D00	501A-26		460G-1-1
33810-98J00	322A-1	34190-88L00	600A-33		460H-1-1
	322B-1	34190-95500	501A-27		460J-1-1
	322C-1	34191-92E00	501A-5		460K-1-1
	322D-1		501A-20		460L-1-1
	322E-1	34193-96L00	600A-4		501A-1-1
	322F-1		600A-14	34800-93J12	460A-1-2
	322G-1	34200-93J01	460A-3-1		460B-1-2
	322H-1		460B-3-1		460C-1-2
	322J-1		460C-3-1		460D-1-2
	322K-1		460D-3-1		460E-1-2
	322L-1		460E-3-1		460F-1-2
33920-93JM1	322M-1		460F-3-1		460G-1-2
	326B-20		460G-3-1		460H-1-2
	326D-20		460H-3-1		460J-1-2
	326F-20		460J-3-1		460K-1-2
	326H-20		460K-3-1		460L-1-2
	326K-20		460L-3-1		501A-1-2
33920-93JN1	326M-20		501A-24-1	34801-93J03	315A-3
	326A-20	34200-93J13	460A-3-2		315B-3
	326C-20		460B-3-2		315C-3
	326E-20		460C-3-2		315D-3
	326G-20		460D-3-2		315E-3
	326J-20		460E-3-2		315F-3
	326L-20		460F-3-2		315G-3
33925-93J00	326A-21		460G-3-2		315H-3
	326B-21		460H-3-2		315J-3
	326C-21		460J-3-2		315K-3
	326D-21		460K-3-2		315L-3
	326E-21		460L-3-2		315M-3
	326F-21		501A-24-2	34801-99E04	315A-13
	326G-21	34211-96L00	600A-5		315B-13
	326H-21		600A-15	34813-93J00	315A-17
	326J-21	34300-93J01	501A-11-1		315B-17
	326K-21	34300-93J12	501A-11-2	34825-96L00	600A-6
	326L-21	34310-92E00	501A-12		600A-16
	326M-21	34360-92E00	501A-13	34830-87J20	315A-4
34000-96L00	600A-1	34500-93J01	501A-16-1		315A-5
34000-96L10	600A-11	34500-93J12	501A-16-2		315B-4
34011-96L00	600A-2	34600-93J01	501A-8-1		315B-5
	600A-12	34600-93J12	501A-8-2		315C-4
34100-93J01	501A-3-1	34650-93J21	501A-19-1		315C-5
34100-93J12	501A-3-2	34650-93J32	501A-19-2		315D-4
34100-93J21	501A-3-3	34660-93J00	521A-5		315D-5
34100-93J32	501A-3-4	34800-93J01	460A-1-1		315E-4
34100-93J41	501A-3-5		460B-1-1		315E-5

PART NO.	FIG.NO.-REF.NO.	PART NO.	FIG.NO.-REF.NO.	PART NO.	FIG.NO.-REF.NO.
	315F-4		322E-13	36625-93J10	322A-29-1
	315F-5		322F-13		322B-29-1
	315G-4		322G-13		322C-29-1
	315G-5		322H-13		322D-29-1
	315H-4		322J-13		322E-29-1
	315H-5		322K-13		322F-29-1
	315J-4		322L-13		322G-29-1
	315J-5		322M-13		322H-29-1
	315K-4	36617-93J20	322A-14		322J-29-1
	315K-5		322B-14		322K-29-1
	315L-4		322C-14		322L-29-1
	315L-5		322D-14		322M-29-1
	315M-4		322E-14	36628-92E00	508A-3
	315M-5		322F-14	36630-93J10	322A-8
36001-88L00	600A-27		322G-14		322B-8
36615-96300	501A-7		322H-14		322C-8
	501A-10		322J-14		322D-8
	501A-15		322K-14	36630-93J20	322E-8
	501A-18		322L-14		322F-8
	501A-23		322M-14		322G-8
	600A-8	36617-93J30	322A-15		322H-8
	600A-18		322B-15	36630-93J30	322J-8
36616-93J01	322A-3		322C-15		322K-8
	322B-3		322D-15		322L-8
	322C-3		322E-15		322M-8
	322D-3		322F-15	36645-93J00	301A-22
	322E-3		322G-15	36646-93J01	508A-2
	322F-3		322H-15	36647-93J00	322A-33
	322G-3		322J-15		322B-33
	322H-3		322K-15		322C-33
	322J-3		322L-15		322D-33
	322K-3		322M-15		322E-33
36617-93J00	322L-3	36620-93J02	508A-54-1		322F-33
	322M-3	36620-93J10	521A-1-1		322G-33
	322A-12	36620-93J30	521A-2		322H-33
	322B-12	36620-93J40	521A-1-2		322J-33
	322C-12	36620-93J52	508A-54-2		322K-33
	322D-12	36620-93J62	508A-54-3		322L-33
	322E-12	36625-93J00	322A-29-2		322M-33
	322F-12		322B-29-2	36661-96L10	600A-7
	322G-12		322C-29-2		600A-17
	322H-12		322D-29-2	36662-88L00	600A-38
	322J-12		322E-29-2	36662-88L10	600A-19
	322K-12		322F-29-2		600A-28
	322L-12		322G-29-2		600A-34
	322M-12		322H-29-2	36662-88L20	600A-35
36617-93J10	322A-13		322J-29-2	36662-88L30	600A-36
	322B-13		322K-29-2	36663-88L00	600A-20
	322C-13		322L-29-2		600A-29
	322D-13		322M-29-2		600A-39

PART NO.	FIG.NO.-REF.NO.	PART NO.	FIG.NO.-REF.NO.	PART NO.	FIG.NO.-REF.NO.
36663-98J00	501A-29		336H-2		337H-33
36663-98J10	501A-31		336J-2		337J-32
	600A-9		336K-2		337J-33
	600A-21		336L-2		337K-32
36664-88L00	600A-23		336M-2		337K-33
	600A-30		336N-2		337L-32
	600A-40		336P-2		337L-33
36665-87L00	600A-24		337A-31		337M-32
36665-88L00	600A-25		337B-31		337M-33
	600A-31		337C-31	36895-87D10	336N-13
	600A-41		337D-31		336P-13
36665-88L10	600A-26		337E-31		337N-27
	600A-32		337F-31		337P-27
	600A-42		337G-31	36990-87D00	600A-44
36667-96L10	600A-43		337H-31	37100-96J00	530A-1
36682-92E00	501A-33		337J-31	37100-96J14	530A-19
36865-90J00	322A-24		337K-31	37100-96J24	530A-29
	322B-24		337L-31	37110-93J01	530A-2
	322C-24		337M-31		530A-20
	322D-24		337N-24		530A-30
	322E-24		337P-24	37110-93J11	508A-4
	322F-24		405A-11	37139-99E00	530A-6
	322G-24		405B-7	37139-99E10	530A-25
	322H-24		405C-11	37139-99E20	530A-37
	322J-24		405D-7	37141-99E00	508A-5-1
	322K-24		405E-11		530A-3-1
	322L-24		405F-11		530A-21-1
	322M-24		405G-11		530A-31-1
36890-93J00	517A-23		405H-11	37141-99E10	508A-5-2
	544A-16		405J-11		530A-3-2
36890-93J10	541A-15		405K-11		530A-21-2
36894-87D00	335A-23		405L-11		530A-31-2
	335B-23		405M-11	37141-99E20	508A-5-3
	335C-23		405N-19		530A-3-3
	335D-23		405P-19		530A-21-3
	335E-23	36895-87D01	337A-32		530A-31-3
	335F-23		337A-33	37141-99E30	508A-5-4
	335G-23		337B-32		530A-3-4
	335H-23		337B-33		530A-21-4
	335J-23		337C-32		530A-31-4
	335K-23		337C-33	37141-99E40	508A-5-5
	335L-23		337D-32		530A-3-5
	335M-23		337D-33		530A-21-5
	336A-2		337E-32		530A-31-5
	336B-2		337E-33	37141-99E50	508A-5-6
	336C-2		337F-32		530A-3-6
	336D-2		337F-33		530A-21-6
	336E-2		337G-32		530A-31-6
	336F-2		337G-33	37141-99E60	508A-5-7
	336G-2		337H-32		530A-3-7

PART NO.	FIG.NO.-REF.NO.	PART NO.	FIG.NO.-REF.NO.	PART NO.	FIG.NO.-REF.NO.
	530A-21-7		326B-14		315K-6
37141-99E70	530A-31-7		326C-14		315L-6
	508A-5-8		326D-14		315M-6
	530A-3-8		326E-14	37823-92E01	508A-10
	530A-21-8		326F-14		530A-11
	530A-31-8		326G-14		530A-35
37141-99E80	508A-5-9		326H-14	37825-99E00	530A-13
	530A-3-9		326J-14	37826-92J00	508A-11
	530A-21-9		326K-14		530A-12
	530A-31-9		326L-14		530A-36
37141-99E90	508A-5-10		326M-14	37850-90J05	508A-12
	530A-3-10	37725-93J11	326A-8	37850-92E26	517A-5
	530A-21-10		326B-8	37850-92J00	326A-9
	530A-31-10		326C-8		326B-9
37141-99EA0	508A-5-11		326D-8		326C-9
	530A-3-11		326E-8		326D-9
	530A-21-11		326F-8		326E-9
	530A-31-11		326G-8		326F-9
37141-99EB0	508A-5-12		326H-8		326G-9
	530A-3-12		326J-8		326H-9
	530A-21-12		326K-8		326J-9
	530A-31-12		326L-8		326K-9
37143-99E00	508A-6		326M-8		326L-9
	530A-4	37729-93J00	326A-2		326M-9
	530A-22		326B-2	37850-93J10	541A-4
	530A-32		326C-2		544A-4
37149-93J00	508A-7		326D-2	37855-99E00	530A-16
	530A-5		326E-2	37856-92J00	326A-10
	530A-23		326F-2		326B-10
	530A-33		326G-2		326C-10
	530A-17		326H-2		326D-10
37210-93J00	530A-18		326J-2		326E-10
37212-93J00	541A-16		326K-2		326F-10
37220-92E00	542A-11		326L-2		326G-10
37721-92E10	326A-5		326M-2		326H-10
37721-93J00	326B-5	37803-93J04	530A-9		326J-10
	326C-5	37805-93J00	530A-15		326K-10
	326D-5	37820-93J04	508A-9		326L-10
	326E-5		530A-10		326M-10
	326F-5		530A-34	37857-92J00	326A-11
	326G-5	37820-93J94	530A-24		326B-11
	326H-5	37820-99E01	315A-6		326C-11
	326J-5		315B-6		326D-11
	326K-5		315C-6		326E-11
	326L-5		315D-6		326F-11
	326M-5		315E-6		326G-11
37721-93J91	508A-8		315F-6		326H-11
37721-95500	518A-12		315G-6		326J-11
	545A-11		315H-6		326K-11
37722-93J11	326A-14		315J-6		326L-11

PART NO.	FIG.NO.-REF.NO.	PART NO.	FIG.NO.-REF.NO.	PART NO.	FIG.NO.-REF.NO.
37859-90J00 38100-93J03	326M-11		326E-22		335J-1-2
	508A-51		326F-22		335K-1-2
	340A-1		326G-22		335L-1-2
	340B-1		326H-22		335M-1-2
	340C-1		326J-22	41111-96J21-0EP	335N-1-1
	340D-1		326K-22		335P-1-1
	340E-1		326L-22	41111-96J21-Y5S	335N-1-2
	340F-1		326M-22		335P-1-2
	340G-1	38915-90J00	301A-24	41117-93J01	335A-3
	340H-1		326A-23		335B-3
	340J-1		326B-23		335C-3
	340K-1		326C-23		335D-3
	340L-1		326D-23		335E-3
	340M-1		326E-23		335F-3
38100-93J11	340N-1		326F-23		335G-3
	340P-1		326G-23		335H-3
	326A-17		326H-23		335J-3
	326B-17		326J-23		335K-3
	326C-17		326K-23		335L-3
	326D-17		326L-23		335M-3
	326E-17		326M-23	41118-96J00	315A-24
	326F-17	39950-88L01	600A-37		315B-24
	326G-17			41121-93J06-0EP	335A-2-1
	326H-17				335B-2-1
	326J-17				335C-2-1
	326K-17				335D-2-1
	326L-17				335E-2-1
	326M-17				335F-2-1
38410-93J12	326A-18				335G-2-1
	326B-18				335H-2-1
	326C-18	41111-93J14-0EP	335A-1-1		335J-2-1
	326D-18		335B-1-1		335K-2-1
	326E-18		335C-1-1		335L-2-1
	326F-18		335D-1-1		335M-2-1
	326G-18		335E-1-1	41121-93J06-Y5S	335A-2-2
	326H-18		335F-1-1		335B-2-2
	326J-18		335G-1-1		335C-2-2
	326K-18		335H-1-1		335D-2-2
	326L-18		335J-1-1		335E-2-2
	326M-18		335K-1-1		335F-2-2
38500-93J00	521A-4		335L-1-1		335G-2-2
38500-93J90	508A-13		335M-1-1		335H-2-2
	530A-7	41111-93J14-Y5S	335A-1-2		335J-2-2
	530A-27		335B-1-2		335K-2-2
	530A-39		335C-1-2		335L-2-2
38860-76F01	301A-23		335D-1-2		335M-2-2
	326A-22		335E-1-2	41121-96J12-0EP	335N-2-1
	326B-22		335F-1-2		335P-2-1
	326C-22		335G-1-2	41121-96J12-Y5S	335N-2-2
	326D-22		335H-1-2		335P-2-2

PART NO.	FIG.NO.-REF.NO.	PART NO.	FIG.NO.-REF.NO.	PART NO.	FIG.NO.-REF.NO.
41122-93J01	335A-4		335L-13		336D-17
	335B-4		335M-13		336E-17
	335C-4		335N-10		336F-17
	335D-4		335P-10		336G-17
	335E-4	41161-94400	442A-2		336H-17
	335F-4	41220-93J11	336A-13		336J-17
	335G-4		336B-13		336K-17
	335H-4		336C-13		336L-17
	335J-4		336D-13		336M-17
	335K-4		336E-13		336N-19
	335L-4		336F-13		336P-19
	335M-4		336G-13	41234-93J11	336A-14
41130-92J03	335N-3		336H-13		336B-14
	335P-3		336J-13		336C-14
	335A-6		336K-13		336D-14
41130-93J12	335B-6		336L-13		336E-14
	335C-6		336M-13		336F-14
	335D-6	41220-96J10	336N-15		336G-14
	335E-6		336P-15		336H-14
	335F-6	41224-95E01	336A-15		336J-14
	335G-6		336B-15		336K-14
	335H-6		336C-15		336L-14
	335J-6		336D-15	41234-96J10	336M-14
	335K-6		336E-15		336N-16
	335L-6		336F-15		336P-16
	335M-6		336G-15	43111-93J23-0EP	336A-3-1
41135-92J00	335N-4		336H-15		336B-3-1
	335P-4		336J-15		336C-3-1
41135-93J11	335A-7		336K-15		336D-3-1
	335B-7		336L-15		336E-3-1
	335C-7		336M-15		336F-3-1
	335D-7		336N-17		336G-3-1
	335E-7		336P-17		336H-3-1
	335F-7	41230-96J00	336A-16		336J-3-1
	335G-7		336B-16		336K-3-1
	335H-7		336C-16		336L-3-1
	335J-7		336D-16		336M-3-1
	335K-7		336E-16	43111-93J23-Y5S	336A-3-2
	335L-7		336F-16		336B-3-2
	335M-7		336G-16		336C-3-2
41155-93J02	335A-13		336H-16		336D-3-2
	335B-13		336J-16		336E-3-2
	335C-13		336K-16		336F-3-2
	335D-13		336L-16		336G-3-2
	335E-13		336M-16		336H-3-2
	335F-13		336N-18		336J-3-2
	335G-13		336P-18		336K-3-2
	335H-13	41233-95E10	336A-17		336L-3-2
	335J-13		336B-17		336M-3-2
	335K-13		336C-17	43111-96J20-0EP	336N-3-1

PART NO.	FIG.NO.-REF.NO.	PART NO.	FIG.NO.-REF.NO.	PART NO.	FIG.NO.-REF.NO.
43111-96J20-Y5S	336P-3-1		336D-7-1	48125-93J00	337M-17
	336N-3-2		336E-7-1		337A-18
43114-93J00	336P-3-2		336F-7-1		337B-18
	336A-4		336G-7-1		337C-18
-----	336B-4	43750-93J20-Y5S	336H-7-1	48126-93J00	337D-18
	336C-4		336J-7-1		337E-18
	336D-4		336K-7-1		337F-18
	336E-4		336L-7-1		337G-18
	336F-4		336M-7-1		337H-18
	336G-4		336A-7-2		337J-18
	336H-4		336B-7-2		337K-18
	336J-4		336C-7-2		337L-18
	336K-4		336D-7-2		337M-18
	336L-4		336E-7-2		337A-19
43117-96J00	336M-4		336F-7-2		337B-19
	315A-21		336G-7-2		337C-19
43118-96J00	315B-21		336H-7-2		337D-19
	315A-23		336J-7-2		337E-19
43211-93J00	315B-23		336K-7-2		337F-19
	336A-5		336L-7-2		337G-19
-----	336B-5	43750-96J50-0EP	336M-7-2	48128-93J11	337H-19
	336C-5		336N-6-1		337J-19
	336D-5		336P-6-1		337K-19
	336E-5		336N-6-2		337L-19
	336F-5		336P-6-2		337M-19
	336G-5		335A-16		337A-22
	336H-5		335B-16		337B-22
	336J-5		335C-16		337C-22
	336K-5		335D-16		337D-22
	336L-5		335E-16		337E-22
43711-97E01	336M-5		335F-16		337F-22
	336N-4		335G-16		337G-22
	336P-4		335H-16		337H-22
	336A-6		335J-16		337J-22
	336B-6		335K-16		337K-22
	336C-6		335L-16		337L-22
	336D-6		335M-16		337M-22
	336E-6		337N-15		335A-18
	336F-6		337P-15		335B-18
	336G-6		337A-17		335C-18
-----	336H-6	48121-93J13	337B-17	48140-93J01	335D-18
	336J-6		337C-17		335E-18
	336K-6		337D-17		335F-18
	336L-6		337E-17		335G-18
	336M-6		337F-17		335H-18
	336N-5		337G-17		335J-18
	336P-5		337H-17		335K-18
	336A-7-1		337J-17		335L-18
	336B-7-1		337K-17		335M-18
	336C-7-1		337L-17		335N-13

PART NO.	FIG.NO.-REF.NO.	PART NO.	FIG.NO.-REF.NO.	PART NO.	FIG.NO.-REF.NO.	
48144-93J00	335P-13		337H-20		337B-1	
	335A-19		337J-20		337C-1	
-----	335B-19	48321-87D03	337K-20	48321-93J00	337D-1	
	335C-19		337L-20		337E-1	
	335D-19		337M-20		337F-1	
	335E-19		337N-17		337G-1	
	335F-19		337P-17		337H-1	
	335G-19		337A-24		337J-1	
	335H-19		337B-24		337K-1	
	335J-19		337C-24		337L-1	
	335K-19		337D-24		337M-1	
	335L-19		337E-24		48502-93J14	340N-12
48145-93J00	335M-19		337F-24		340P-12	
	335N-14		337G-24		48503-93J12	337N-1
-----	335P-14	48326-95E00	337H-24	48400-93J06	337P-1	
	335A-22		337J-24		48570-95E01	337N-11
	335B-22		337K-24		48571-93J00	337P-11
	335C-22		337L-24			337A-30
	335D-22		337M-24		337B-30	
	335E-22		337N-18		337C-30	
	335F-22		337P-18		337D-30	
	335G-22		337A-8		337E-30	
	335H-22		337B-8		337F-30	
	335J-22		337C-8		337G-30	
335K-22	337D-8	337H-30				
48311-96J10	335L-22		337E-8		337J-30	
	335M-22		337F-8		337K-30	
	335N-16		337G-8		337L-30	
	335P-16		337H-8		337M-30	
	337A-23		337J-8		48572-87J10	337A-12
	337B-23		337K-8		337B-12	
	337C-23		337L-8		337C-12	
	337D-23		337M-8		337D-12	
	337E-23		337N-2		337E-12	
	337F-23		337P-2		337F-12	
-----	337G-23	48401-93J10	337Q-2	48405-87D00	337G-12	
	337H-23		337N-9		337H-12	
	337I-23		337P-9		337H-12	
	337J-23		337A-9		337J-12	
	337K-23		337B-9		337K-12	
	337L-23		337C-9		337L-12	
	337M-23		337D-9		337M-12	
	337N-16		337E-9		48572-95E00	337N-12
	337P-16		337F-9		337P-12	
	337A-20		337G-9		48573-93J00	337A-21
48320-93J00	337B-20		337H-9		337B-21	
	337C-20		337J-9		337C-21	
	337D-20		337K-9		337D-21	
	337E-20		337L-9		337E-21	
	337F-20		337M-9		337F-21	
	337G-20		337A-1		337G-21	
	48500-93J05					

PART NO.	FIG.NO.-REF.NO.	PART NO.	FIG.NO.-REF.NO.	PART NO.	FIG.NO.-REF.NO.
	337H-21		340F-12		337K-11
	337J-21		340G-12		337L-11
	337K-21		340H-12		337M-11
	337L-21		340J-12	48627-95E00	337N-4
	337M-21		340K-12		337P-4
48582-95E01	337A-2		340L-12	48630-96J02	337N-5
	337B-2		340M-12		337P-5
	337C-2		340N-16	48630-98J01	337A-5
	337D-2		340P-16		337B-5
	337E-2	48588-94900	337N-13		337C-5
	337F-2		337P-13		337D-5
	337G-2		340N-17		337E-5
	337H-2		340P-17		337F-5
	337J-2	48601-94900	337N-3		337G-5
	337K-2		337P-3		337H-5
	337L-2	48605-93J00	337A-3		337J-5
	337M-2		337B-3		337K-5
	340N-13		337C-3		337L-5
	340P-13		337D-3		337M-5
48583-95E00	337A-16		337E-3	48633-93J00	337A-6
	337B-16		337F-3		337B-6
	337C-16		337G-3		337C-6
	337D-16		337H-3		337D-6
	337E-16		337J-3		337E-6
	337F-16		337K-3		337F-6
	337G-16		337L-3		337G-6
	337H-16		337M-3		337H-6
	337J-16	48610-93J01	337A-4		337J-6
	337K-16		337B-4		337K-6
	337L-16		337C-4		337L-6
	337M-16		337D-4		337M-6
	340N-15		337E-4	48633-94900	337N-6
	340P-15		337F-4		337P-6
48585-95E00	337A-13		337G-4	48641-96J02	337N-7
	337B-13		337H-4		337P-7
	337C-13		337J-4	48650-93J00	337A-10
	337D-13		337K-4		337B-10
	337E-13		337L-4		337C-10
	337F-13		337M-4		337D-10
	337G-13	48615-97E00	337N-10		337E-10
	337H-13		337P-10		337F-10
	337J-13	48627-93J00	337A-11		337G-10
	337K-13		337B-11		337H-10
	337L-13		337C-11		337J-10
	337M-13		337D-11		337K-10
	340A-12		337E-11		337L-10
	340B-12		337F-11		337M-10
	340C-12		337G-11	48650-94900	337N-8
	340D-12		337H-11		337P-8
	340E-12		337J-11	48691-93J00	337A-7

PART NO.	FIG.NO.-REF.NO.	PART NO.	FIG.NO.-REF.NO.	PART NO.	FIG.NO.-REF.NO.
	337B-7	51111-93J20-0EP	401A-1-1		401C-14
	337C-7		401B-1-1		401D-14
	337D-7		401C-1-1		401E-14
	337E-7		401D-1-1		401F-14
	337F-7		401E-1-1		401G-14
	337G-7		401F-1-1		401H-14
	337H-7		401G-1-1		401J-14
	337J-7		401H-1-1		401K-14
	337K-7		401J-1-1		401L-14
	337L-7		401K-1-1		401M-14
	337M-7		401L-1-1		585A-13
48861-92J01	337N-14		401M-1-1	51124-93J01	401A-12
	337P-14	51111-93J20-Y5S	401A-1-2		401B-12
48862-87J20	337A-14		401B-1-2		401C-12
	337B-14		401C-1-2		401D-12
	337C-14		401D-1-2		401E-12
	337D-14		401E-1-2		401F-12
	337E-14		401F-1-2		401G-12
	337F-14		401G-1-2		401H-12
	337G-14		401H-1-2		401J-12
	337H-14		401J-1-2		401K-12
	337J-14		401K-1-2		401L-12
	337K-14		401L-1-2		401M-12
	337L-14		401M-1-2	51125-93J00	401A-13
	337M-14	51116-93J00	401A-5		401B-13
48862-92J20	340N-18		401B-5		401C-13
	340P-18		401C-5		401D-13
48862-92J30	340N-19		401D-5		401E-13
	340P-19		401E-5		401F-13
48864-93J01	337A-15		401F-5		401G-13
	337B-15		401G-5		401H-13
	337C-15		401H-5		401J-13
	337D-15		401J-5		401K-13
	337E-15		401K-5		401L-13
	337F-15		401L-5		401M-13
	337G-15		401M-5	51140-93J11-0EP	401A-18-3
	337H-15	51120-93J02	401A-10		401B-18-3
	337J-15		401B-10	51140-93J11-Y5S	401A-18-4
	337K-15		401C-10		401B-18-4
	337L-15		401D-10		401A-18-1
	337M-15		401E-10	51140-98J00-0EP	401B-18-1
48864-96J10	340N-14		401F-10		401C-18-1
	340P-14		401G-10		401D-18-1
			401H-10		401E-18-1
			401J-10		401F-18-1
			401K-10		401G-18-1
			401L-10		401H-18-1
			401M-10		401J-18-1
50000		51123-93J00	401A-14		401K-18-1
			401B-14		401L-18-1

PART NO.	FIG.NO.-REF.NO.	PART NO.	FIG.NO.-REF.NO.	PART NO.	FIG.NO.-REF.NO.	
51140-98J00-Y5S	401M-18-1	51211-93J00	401A-6	52131-93J00-Y5S	405M-7-1	
	401A-18-2		401B-6		405A-7-2	
	401B-18-2		401C-6		405C-7-2	
	401C-18-2		401D-6		405E-7-2	
	401D-18-2		401E-6		405F-7-2	
401E-18-2	401F-6	54121-98J00	405G-7-2	54121-98J00	405M-7-2	
401F-18-2	401G-6		405H-7-2		401M-6	401A-33
401G-18-2	401H-6		405J-7-2		585A-15	401B-33
401H-18-2	401J-6		405K-7-2		401A-19	401C-33
401J-18-2	401K-6		405L-7-2		401B-19	401D-33
401K-18-2	401L-6	52111-93J11-0EP	405M-1-1	54123-93J02	401E-33	
401L-18-2	401M-6		405B-1-1		401D-33	401F-33
401M-18-2	585A-15		405C-1-1		401C-19	401G-33
401A-19	405A-1-1		405D-1-1		401D-19	401H-30
401B-19	405B-1-1		405E-1-1		401E-19	401J-30
401C-19	405C-1-1	405F-1-1	401F-19	401K-30		
401D-19	405D-1-1	405G-1-1	401G-19	401L-30		
401E-19	405E-1-1	405H-1-1	401H-19	401M-30		
401F-19	405F-1-1	405J-1-1	401J-19	405A-13		
401G-19	405G-1-1	405K-1-1	401K-19	405B-9		
401H-19	405H-1-1	405L-1-1	401L-19	405C-13		
401J-19	405J-1-1	405M-1-1	401M-19	405D-9		
401K-19	405K-1-1	405A-1-2	401N-19	405E-13		
401L-19	405L-1-1	405B-1-2	401O-19	405F-13		
401M-19	405M-1-1	405C-1-2	401P-19	405G-13		
51151-93J00	585A-14	52111-93J11-Y5S	405A-1-2	401Q-19	405H-13	
401A-21	405B-1-2	52111-93J20-0EP	405D-1-2	401R-19	405I-13	
401B-21	405C-1-2		405E-1-2	401S-19	405J-13	
401C-21	405D-1-2		405F-1-2	401T-19	405K-13	
401D-21	405E-1-2		405G-1-2	401U-19	405L-13	
401E-21	405F-1-2		405H-1-2	401V-19	405M-13	
401F-21	405G-1-2	405J-1-2	401W-19	405N-8		
401G-21	405H-1-2	405K-1-2	401X-19	405P-8		
401H-21	405J-1-2	405L-1-2	401Y-19	405A-14		
401J-21	405K-1-2	405M-1-2	401Z-19	405B-10		
401K-21	405L-1-2	405N-1-1	401A-20	405C-14		
401L-21	405M-1-2	405P-1-1	401B-20	405D-10		
401M-21	405N-1-1	405N-1-2	401C-20	405E-14		
401A-22	405P-1-1	405P-1-2	401D-20	405F-14		
401B-22	405N-1-2	52131-93J00-0EP	401E-20	405G-14		
401C-22	405P-1-2		401F-20	405H-14		
401D-22	405A-7-1		401G-20	405I-14		
401E-22	405C-7-1		401H-20	405J-14		
401F-22	405E-7-1		401I-20	405K-14		
401G-22	405F-7-1	401J-20	405L-14			
401H-22	405G-7-1	401K-20	405M-14			
401J-22	405H-7-1	401L-20	405N-9			
401K-22	405J-7-1	401M-20	405P-9			
401L-22	405K-7-1	401N-20	405A-22			
401M-22	405L-7-1	401O-20				

PART NO.	FIG.NO.-REF.NO.	PART NO.	FIG.NO.-REF.NO.	PART NO.	FIG.NO.-REF.NO.
54137-93J02	401D-26	54211-93J00-0EP	405B-18	54211-93J00-0EP	405K-20-1
	401E-26		405C-22		405L-20-1
	401F-26		405D-18		405M-20-1
	401G-26		405E-22		405N-15-1
	401H-26		405F-22		405P-15-1
401J-26	405G-22	55110-93J20-0EP	405H-22	55110-93J20-0EP	405A-20-2
401K-26	405I-22		405J-22		405B-16-2
401L-26	405J-22		405K-22		405C-20-2
401M-26	405K-22		405L-22		405D-16-2
401A-30	405L-22		405M-22		405E-20-2
401B-30	405M-22	405N-17	405F-20-2		
401C-30	405N-17	405P-17	405G-20-2		
401D-30	405P-17	405A-19-1	405H-20-2		
401E-30	405A-19-1	405B-15-1	405J-20-2		
401F-30	405B-15-1	405C-19-1	405K-20-2		
401G-30	405C-19-1	405D-15-1	405L-20-2		
401H-30	405D-15-1	405E-19-1	405M-20-2		
401J-30	405E-19-1	405F-19-1	405N-15-2		
401K-30	405F-19-1	405G-19-1	405P-15-2		
401L-30	405G-19-1	405H-19-1	407A-1-1		
401M-30	405H-19-1	405J-19-1	407B-1-1		
405A-13	405J-19-1	405K-19-1	407E-1-1		
405B-9	405K-19-1	405L-19-1	407F-1-1		
405C-13	405L-19-1	405M-19-1	407J-1-1		
405D-9	405M-19-1	405N-14-1	407K-1-1		
405E-13	405N-14-1	405P-14-1	407A-1-2		
405F-13	405P-14-1	405A-19-2	407B-1-2		
405G-13	405A-19-2	405B-15-2	407E-1-2		
405H-13	405B-15-2	405C-19-2	407F-1-2		
405J-13	405C-19-2	405D-15-2	407J-1-2		
405K-13	405D-15-2	405E-19-2	407K-1-2		
405L-13	405E-19-2	405F-19-2	55110-93J30-0EP		
405M-13	405F-19-2	405G-19-2	407C-1-1		
405N-8	405G-19-2	405H-19-2	407D-1-1		
405P-8	405H-19-2	405J-19-2	407G-1-1		
405A-14	405J-19-2	405K-19-2	407H-1-1		
405B-10	405K-19-2	405L-19-2	407L-1-1		
405C-14	405L-19-2	405M-19-2	407M-1-1		
405D-10	405M-19-2	405N-14-2	407C-1-2		
405E-14	405N-14-2	405P-14-2	407D-1-2		
405F-14	405P-14-2	405A-20-1	407G-1-2		
405G-14	405A-20-1	405B-16-1	407H-1-2		
405H-14	405B-16-1	405C-20-1	407L-1-2		
405I-14	405C-20-1	405D-16-1	407M-1-2		
405J-14	405D-16-1	405E-20-1	55125-98J00-0EP		
405K-14	405E-20-1	405F-20-1	407A-11-1		
405L-14	405F-20-1	405G-20-1	407B-8-1		
405M-14	405G-20-1	405H-20-1	407C-14-1		
405N-9	405H-20-1	405J-20-1	407D-11-1		
405P-9	405J-20-1		407E-11-1		
405A-22			407F-11-1		
			407G-14-1		

PART NO.	FIG.NO.-REF.NO.	PART NO.	FIG.NO.-REF.NO.	PART NO.	FIG.NO.-REF.NO.
55125-98J00-Y5S	407H-14-1	55320-94900	407K-30	55321-87J01	405L-26-1
	407J-11-1		407L-33		405L-26-2
	407K-11-1		407M-33		405M-26-1
	407L-14-1		335A-14		405M-26-2
	407M-14-1		335B-14		407A-15
	407A-11-2		335C-14		407B-12
	407B-8-2		335D-14		407C-18
	407C-14-2		335E-14		407D-15
	407D-11-2		335F-14		407E-15
	407E-11-2		335G-14		407F-15
	407F-11-2		335H-14		407G-18
407G-14-2	335J-14	407H-18			
407H-14-2	335K-14	407J-15			
407J-11-2	335L-14	407K-15			
407K-11-2	335M-14	407L-18			
407L-14-2	335N-11	407M-18			
407M-14-2	335P-11	335A-21			
407A-19	111A-16	335B-21			
407B-16	111B-16	335C-21			
407C-22	111C-16	335D-21			
407D-19	111D-16	335E-21			
407E-19	111E-16	335F-21			
407F-19	111F-16	335G-21			
407G-22	111G-16	335H-21			
407H-22	111H-16	335J-21			
407J-19	111J-16	335K-21			
407K-19	111K-16	335L-21			
407L-22	111L-16	335M-21			
407M-22	111M-16	335N-17			
407A-13	140A-6	335P-17			
407B-10	180A-2-1	407A-17			
407C-16	180A-2-2	407B-14			
407D-13	405A-26-1	407C-20			
407E-13	405A-26-2	407D-17			
407F-13	405B-22	407E-17			
407G-16	405C-26-1	407F-17			
407H-16	405C-26-2	407G-20			
407J-13	405D-22	407H-20			
407K-13	405E-26-1	407J-17			
407L-16	405E-26-2	407K-17			
407M-16	405F-26-1	407L-20			
407A-30	405F-26-2	407M-20			
407B-27	405G-26-1	407A-18			
407C-33	405G-26-2	407B-15			
407D-30	405H-26-1	407C-21			
407E-30	405H-26-2	407D-18			
407F-30	405J-26-1	407E-18			
407G-33	405J-26-2	407F-18			
407H-33	405K-26-1	407G-21			
407J-30	405K-26-2	407H-21			

PART NO.	FIG.NO.-REF.NO.	PART NO.	FIG.NO.-REF.NO.	PART NO.	FIG.NO.-REF.NO.
56120-93J03-0EP	407J-18	56145-93J00	220L-38	56120-93J13-0EP	220G-2
	407K-18		220M-38		220H-2
	407L-21		407C-3		220J-2
	407M-21		407D-3		220K-2
	220A-26-1		407G-3		220L-2
	220B-26-1		407H-3		220M-2
	220E-26-1		407L-3		220A-3
	220F-26-1		407M-3		220B-3
	220J-26-1		220A-1-1		220C-3
	220K-26-1		220B-1-1		220D-3
	220A-26-2		220C-1-1		220E-3
220B-26-2	220D-1	220F-3			
220E-26-2	220E-1-1	220G-3			
220F-26-2	220F-1-1	220H-3			
220J-26-2	220G-1-1	220J-3			
220K-26-2	220H-1-1	220K-3			
220C-27-1	220J-1-1	220L-3			
220D-27-1	220K-1-1	220M-3			
220G-27-1	220L-1-1	220A-6			
220H-27-1	220M-1-1	220B-6			
220L-27-1	220A-1-2	220E-6			
220M-27-1	220C-1-2	220F-6			
220C-27-2	220E-1-2	220J-6			
220D-27-2	220F-1-2	220K-6			
220G-27-2	220G-1-2	220C-6			
220H-27-2	220H-1-2	220D-6			
220L-27-2	220J-1-2	220G-6			
220M-27-2	220K-1-2	220H-6			
220A-33	220L-1-2	220L-6			
220B-33	220M-1-2	220M-6			
220C-34	220A-1-3	220A-13			
220D-34	220B-1-2	220B-13			
220E-33	405A-4	220E-13			
220F-33	405B-4	220F-13			
220G-34	405C-4	220J-13			
220H-34	405D-4	220K-13			
220J-33	405E-4	220A-10			
220K-33	405F-4	220B-10			
220L-34	405G-4	220E-10			
220M-34	405H-4	220F-10			
220A-37	405J-4	220J-10			
220B-37	405K-4	220K-10			
220E-37	405L-4	220A-17			
220F-37	405M-4	220B-17			
220J-37	220A-2	220E-17			
220K-37	220B-2	220F-17			
220C-38	220C-2	220J-17			
220D-38	220D-2	220K-17			
220G-38	220E-2	220C-15			
220H-38	220F-2	220D-15			

PART NO.	FIG.NO.-REF.NO.	PART NO.	FIG.NO.-REF.NO.	PART NO.	FIG.NO.-REF.NO.
57621-93J10	220G-15	57633-87D30	407E-25	58200-93L30	407A-23-4
	220H-15		407F-25	407B-20-4	
	220L-15		407G-28	407E-23-4	
	220M-15		407H-28	407F-23-4	
	220A-18		407J-25	407J-23-4	
	220B-18		407K-25	407K-23-4	
	220E-18		407L-28	58200-93L40	407A-23-5
	220F-18		407M-28	407B-20-5	
	220J-18		407A-26	407E-23-5	
	220K-18		407B-23	407F-23-5	
57621-93J20	220C-16	58105-93J10	407C-29	58200-93L50	407J-23-5
	220D-16		407D-26	407K-23-5	
	220G-16		407E-26	407A-23-6	
	220H-16		407F-26	407B-20-6	
	220L-16		407G-29	407E-23-6	
	220M-16		407H-29	407F-23-6	
	220C-23		407J-26	58200-93L60	407J-23-6
	220D-23		407K-26	407K-23-6	
	220G-23		407L-29	407A-23-7	
	220H-23		407M-29	407B-20-7	
57630-92E00	220L-23	58200-93L70	407A-24	58200-93L80	407E-23-7
	220M-23		407B-21	407F-23-7	
	407A-31		407C-27	407J-23-7	
	407B-28		407D-24	407K-23-7	
	407C-34		407E-24	407A-23-8	
	407D-31		407F-24	407B-20-8	
	407E-31		407G-27	407E-23-8	
	407F-31		407H-27	407F-23-8	
	407G-34		407J-24	407J-23-8	
	407H-34		407K-24	407K-23-8	
57631-93J00	407J-31	58200-93L00	407L-27	58200-93L90	407A-23-9
	407K-31		407M-27	407B-20-9	
	407L-34		407A-23-1	407E-23-9	
	407M-34		407B-20-1	407F-23-9	
	220A-20		407E-23-1	407J-23-9	
	220B-20		407F-23-1	407K-23-9	
	220C-18		407J-23-1	407C-26-1	
	220D-18		407K-23-1	407D-23-1	
	220E-20		407A-23-2	407G-26-1	
	220F-20		407B-20-2	407H-26-1	
57632-93L01	220G-18	58200-93L20	407E-23-2	58200-93L00	407A-23-12
	220H-18		407F-23-2	407M-26-1	
	220J-20		407J-23-2	407C-26-2	
	220K-20		407K-23-2	407D-23-2	
	220L-18		407A-23-3	407G-26-2	
	220M-18		407B-20-3	407H-26-2	
	407A-25		407E-23-3	407L-26-2	
	407B-22		407F-23-3	407M-26-2	
	407C-28		407J-23-3	58200-93LC0	407C-26-3
	407D-25		407K-23-3	407D-23-3	

PART NO.	FIG.NO.-REF.NO.	PART NO.	FIG.NO.-REF.NO.	PART NO.	FIG.NO.-REF.NO.
58200-93LD0	407G-26-3	58200-96J40	407J-23-13	58200-93LE0	407C-26-5
	407H-26-3		407K-23-13		
	407L-26-3		407A-23-14		
	407M-26-3		407B-20-14		
	407C-26-4		407E-23-14		
	407D-23-4		407F-23-14		
	407G-26-4		407J-23-14		
	407H-26-4		407K-23-14		
	407L-26-4		407A-23-15		
	407M-26-4		407B-20-15		
58200-93LE0	407C-26-5	58200-96J50	407E-23-15	58200-96JA0	407C-26-8
	407D-23-5		407F-23-15		
	407G-26-5		407J-23-15		
	407H-26-5		407K-23-15		
	407L-26-5		407A-23-16		
	407M-26-5		407B-20-16		
	407C-26-6		407E-23-16		
	407D-23-6		407F-23-16		
	407G-26-6		407J-23-16		
	407H-26-6		407K-23-16		
58200-93LF0	407L-26-6	58200-96JB0	407C-26-9	58200-96JG0	407M-26-6
	407M-26-6		407D-23-9		
	407C-26-6		407E-23-9		
	407D-23-6		407F-26-9		
	407G-26-6		407H-26-9		
	407H-26-6		407L-26-9		
	407L-26-6		407M-26-9		
	407M-26-6		407N-26-9		
	407C-26-7		407O-26-9		
	407D-23-7		407P-26-9		
58200-93LG0	407C-26-7	58200-96JC0	407Q-26-9	58200-96J00	407A-23-10
	407D-23-7		407B-20-10		
	407G-26-7		407C-26-10		
	407H-26-7		407D-23-10		
	407L-26-7		407E-23-10		
	407M-26-7		407F-23-10		
	407N-26-7		407G-26-10		
	407O-26-7		407H-26-10		
	407P-26-7		407I-26-10		
	407Q-26-7		407J-26-10		
58200-96J00	407A-23-10	58200-96JD0	407K-26-10	58200-96J10	407A-23-11
	407B-20-10		407L-26-10		
	407C-26-10		407M-26-10		
	407D-23-10		407N-26-10		
	407E-23-10		407O-26-10		
	407F-23-10		407P-26-10		
	407G-26-10		407Q-26-10		
	407H-26-10		407R-26-10		
	407I-26-10		407S-26-10		
	407J-26-10		407T-26-10		
58200-96J10	407K-23-10	58200-96JE0	407U-26-10	58200-96J20	407A-23-12
	407L-26-10		407B-20-12		
	407M-26-10		407C-26-12		
	407N-26-10		407D-23-12		
	407O-26-10		407E-23-12		
	407P-26-10		407F-23-12		
	407Q-26-10		407G-26-12		
	407R-26-10		407H-26-12		
	407S-26-10		407I-26-12		
	407T-26-10		407J-26-12		
58200-96J20	407A-23-11	58200-96JF0	407K-23-11	58200-96J30	407A-23-13
	407B-20-11		407B-20-13		
	407C-26-11		407C-26-13		
	407D-23-11		407D-23-13		
	407E-23-11		407E-23-13		
	407F-23-11		407F-23-13		
	407G-26-11		407G-26-13		
	407H-26-11		407H-26-13		
	407I-26-11		407I-26-13		
	407J-26-11		407J-26-13		
58200-96J30	407K-23-11	58200-96J00	407K-23-12	58200-96J10	407K-23-12
	407L-26-11		407L-26-12		
	407M-26-11		407M-26-12		
	407N-26-11		407N-26-12		
	407O-26-11		407O-26-12		
	407P-26-11		407P-26-12		
	407Q-26-11		407Q-26-12		
	407R-26-11		407R-26-12		
	407S-26-11		407S-26-12		
	407T-26-11		407T-26-12		
58200-96J40	407A-23-12	58200-96J20	407U-26-11	58200-96J30	407A-23-14
	407B-20-12		407B-20-14		
	407C-26-12		407C-26-14		
	407D-23-12		407D-23-14		
	407E-23-12		407E-23-14		
	407F-23-12		407F-23-14		
	407G-26-12		407G-26-14		
	407H-26-12		407H-26-14		
	407I-26-12		407I-26-14		
	407J-26-12		407J-26-14		
58200-96J50	407K-23-12	58200-96J40	407K-23-13	58200-96J50	407K-23-13
	407L-26-12		407L-26-13		
	407M-26-12		407M-26-13		
	407N-26-12		407N-26-13		
	407O-26-12		407O-26-13		
	407P-26-12		407P-26-13		
	407Q-26-12		407Q-26-13		
	407R-26-12		407R-26-13		
	407S-26-12		407S-26-13		
	407T-26-12		407T-26-13		
58200-96J60	407A-23-13	58200-96J30	407U-26-12	58200-96J40	407U-26-12
	407B-20-13		407U-26-13		
	407C-26-13		407V-26-12		
	407D-23-13		407V-26-13		
	407E-23-13		407W-26-12		
	407F-23-13		407W-26-13		
	407G-26-13		407X-26-12		
	407H-26-13		407X-26-13		
	407I-26-13		407Y-26-12		
	407J-26-13		407Y-26-13		
58200-96J70	407K-23-13	58200-96J40	407Z-26-12	58200-96J50	407Z-26-12
	407L-26-13		407Z-26-13		
	407M-26-13		407A-23-15		
	407N-26-13		407A-23-16		
	407O-26-13		407A-23-17		
	407P-26-13		407A-23-18		
	407Q-26-13		407A-23-19		
	407R-26-13		407A-23-20		
	407S-26-13		407A-23-21		
	407T-26-13		407A-23-22		
58200-96J80	407A-23-14	58200-96J50	407B-20-14	58200-96J60	407A-23-23
	407B-20-14		407B-20-15		
	407C-26-14		407C-26-15		
	407D-23-14		407C-26-16		
	407E-23-14		407C-26-17		
	407F-23-14		407C-26-18		
	407G-26-14		407C-26-19		
	407H-26-14		407C-26-20		
	407I-26-14		407C-26-21		
	407J-26-14		407C-26-22		
58200-96J90	407K-23-14	58200-96J60	407K-23-14	58200-96J70	407A-23-24
	407L-26-14		407L-26-15		
	407M-26-14		407L-26-16		
	407N-26-14		407L-26-17		
	407O-26-14		407L-26-18		
	407P-26-14		407L-26-19		
	407Q-26-14		407L-26-20		
	407R-26-14		407L-26-21		
	407S-26-14		407L-26-22		
	407T-26-14		407L-26-23		
58200-96J00	407A-23-15	58200-96J70	407U-26-14	58200-96J80	407A-23-25
	407B-20-15		407U-26-15		
	407C-26-15		407U-26-16		
	407D-23-15		407U-26-17		
	407E-23-15		407U-26-18		
	407F-23-15		407U-26-19		
	407G-26-15		407U-26-20		
	407H-26-15		407U-26-21		
	407I-26-15		407U-26-22		
	407J-26-15		407U-26-23		
58200-96J10	407K-23-15	58200-96J80	407V-26-14	58200-96J90	407A-23-26
	407L-26-15		407V-26-15		
	407M-26-15		407V-26-16		
	407N-26-15		407V-26-17		
	407O-26-15		407V-26-18		
	407P-26-15		407V-26-19		
	407Q-26-15		407V-26-20		
	407R-26-15		407V-26-21		
	407S-26-15		407V-26-22		
	407T-26-15		407V-26-23		
58200-96J20	407A-23-16	58200-96J90	407W-26-14	58200-96J00	407A-23-27
	407B-20-16		407W-26-15		
	407C-26-16		407W-26-16		
	407D-23-16		407W-26-17		
	407E-23-16		407W-26-18		
	407F-23-16		407W-26-19		
	407G-26-16		407W-26-20		
	407H-26-16		407W-26-21		
	407I-26-16		407W-26-22		
	407J-26-16		407W-26-23		
58200-96J30	407K-23-16	58200-96J00	407X-26-14	58200-96J10	407A-23-28
	407L-26-16		407X-26-15		
	407M-26-16		407X-26-16		
	407N-26-16		407X-26-17		
	407O-26-16		407X-26-18		
	407P-26-16		407X-26-19		
	407Q-26-16		407X-26-20		
	407R-26-16		407X-26-21		
	407S-26-16		407X-26-22		
	407T-26-16		407X-26-23		
58200-96J40	407A-23-17	58200-96J10	407Y-26-14	58200-96J20	407A-23-29
	407B-20-17		407Y-26-15		
	407C-26-17		407Y-26-16		
	407D-23-17		407Y-26-17		
	407E-23-17		407Y-26-18		
	407F-23-17		407Y-26-19		
	407G-26-17		407Y-26-20		
	407H-26-17		407Y-26-21		
	407I-26-17		407Y-26-22		
	407J-26-17		407Y-26-23		
58200-96J50	407K-23-17	58200-96J20	407Z-26-14	58200-96J30	407A-23-30
	407L-26-17		407Z-26-15		
	407M-26-17		407Z-26-16		
	407N-26-17		407Z-26-17		
	407O-26-17		407Z-26-18		
	407P-26-17		407Z-26-19		
	407Q-26-17		407Z-26-20		
	407R-26-17		407Z-26-21		
	407S-26-17		407Z-26-22		
	407T-26-17		407Z-26-23		
58200-96J60	407A-23-18	58200-96J30			

PART NO.	FIG.NO.-REF.NO.	PART NO.	FIG.NO.-REF.NO.	PART NO.	FIG.NO.-REF.NO.
	410H-1-2		410B-2-2		420M-1
	410J-1-2		410C-2-2	61422-93J52	420A-25
	410K-1-2		410D-2-2		420C-25
	410L-1-2		410E-2-2	61422-93J62	420E-25
	410M-1-2		410F-2-2		420G-25
61131-93J20-0EP	410N-1-1		410G-2-2	61422-93J72	420J-25
	410P-1-1		410H-2-2		420L-25
61131-93J20-Y5S	410N-1-2		410J-2-2	61422-93J80	420K-26
	410P-1-2		410K-2-2		420M-26
61134-93J20	410A-8		410L-2-2	61422-93J90	420B-26
	410B-8		410M-2-2		420D-26
	410C-8	61141-93J20-0EP	410N-2-1	61422-93JA0	420F-26
	410D-8		410P-2-1		420H-26
	410E-8	61141-93J20-Y5S	410N-2-2	61431-93J03-0EP	420A-4
	410F-8		410P-2-2		420C-4
	410G-8	61155-93J20	401A-7		420E-4
	410H-8		401B-7		420G-4
	410J-8		401C-7		420J-4
	410K-8		401D-7		420L-4
	410L-8		401E-7	61431-93J03-Y5S	420B-4
	410M-8		401F-7		420D-4
	410N-8		401G-7		420F-4
61137-93J00	410P-8		401H-7		420H-4
	410A-3		401J-7		420K-4
	410B-3		401K-7		420M-4
	410C-3		401L-7	61432-93J01	420A-5
	410D-3		401M-7		420B-5
	410E-3	61416-93J00	420A-3		420C-5
	410F-3		420B-3		420D-5
	410G-3		420C-3		420E-5
	410H-3		420D-3		420F-5
	410J-3		420E-3		420G-5
	410K-3		420F-3		420H-5
	410L-3		420G-3		420J-5
	410M-3		420H-3		420K-5
	410N-3		420J-3		420L-5
	410P-3		420K-3		420M-5
61141-93J01-0EP	410A-2-1		420L-3	61433-93J01	420A-6
	410B-2-1		420M-3		420B-6
	410C-2-1	61420-93836-0EP	420A-1		420C-6
	410D-2-1		420C-1		420D-6
	410E-2-1	61420-93846-0EP	420E-1		420E-6
	410F-2-1		420G-1		420F-6
	410G-2-1	61420-93855-0EP	420J-1		420G-6
	410H-2-1		420L-1		420H-6
	410J-2-1	61420-93871-Y5S	420B-1		420J-6
	410K-2-1		420D-1		420K-6
	410L-2-1		420F-1		420L-6
	410M-2-1		420H-1		420M-6
61141-93J01-Y5S	410A-2-2		420K-1	61434-93J01	420A-7

PART NO.	FIG.NO.-REF.NO.	PART NO.	FIG.NO.-REF.NO.	PART NO.	FIG.NO.-REF.NO.
	420B-7		420F-8		420L-23
	420C-7		420F-9	61443-93J40	420B-23
	420D-7		420F-10		420D-23
	420E-7		420G-8		420F-23
	420F-7		420G-9		420H-23
	420G-7		420G-10		420K-23
	420H-7		420H-8		420M-23
	420J-7		420H-9	61453-93J32	420A-24
	420K-7		420H-10		420C-24
	420L-7		420J-8		420E-24
	420M-7		420J-9		420G-24
61435-93J32	420A-26		420J-10		420J-24
	420C-26		420K-8		420L-24
61435-93J42	420E-26		420K-9	61453-93J40	420B-24
	420G-26		420K-10		420D-24
61435-93J52	420J-26		420L-8		420F-24
	420L-26		420L-9		420H-24
61435-93J60	420K-27		420L-10		420K-24
	420M-27		420M-8		420M-24
61435-93J70	420B-27		420M-9	61458-90J00	420A-28
	420D-27		420M-10		420B-28
61435-93J80	420F-27	61439-93J20	420A-11		420C-28
	420H-27		420B-11		420D-28
61436-93J00	163A-46		420C-11		420E-28
	163B-46		420D-11		420F-28
	163C-46		420E-11		420G-28
	163D-46		420F-11		420H-28
	163E-65		420G-11		420J-28
61436-93J10	163F-65		420H-11		420K-28
	163G-65		420J-11		420L-28
	163H-65		420K-11		420M-28
	163J-65	61439-93J40	420L-11	61476-93J00	420A-13
	163K-65		420M-11		420B-13
	163L-65		420A-12		420C-13
	163M-65		420B-12		420D-13
61438-93J00	420A-8		420C-12		420E-13
	420A-9		420D-12		420F-13
	420A-10		420E-12		420G-13
	420B-8		420F-12		420H-13
	420B-9		420G-12		420J-13
	420B-10		420H-12		420K-13
	420C-8		420J-12		420L-13
	420C-9		420K-12		420M-13
	420C-10		420L-12	61494-93J00	136A-8
	420D-8		420M-12	61610-93J00	420A-18
	420D-9	61443-93J32	420A-23		420B-18
	420D-10		420C-23		420C-18
	420E-8		420E-23		420D-18
	420E-9		420G-23		420E-18
	420E-10		420J-23		420F-18

PART NO.	FIG.NO.-REF.NO.	PART NO.	FIG.NO.-REF.NO.	PART NO.	FIG.NO.-REF.NO.
	420G-18		410E-21-2		410N-38
	420H-18		410F-21-2		410P-38
	420J-18		410G-21-2	61641-93J10	410A-23
	420K-18		410H-21-2		410B-23
	420L-18		410J-21-2		410C-23
61621-93J00	420M-18		410K-21-2		410D-23
	420A-19		410L-21-2		410E-23
	420B-19		410M-21-2		410F-23
	420C-19		410N-21-2		410G-23
	420D-19		410P-21-2		410H-23
	420E-19	61634-93J00-0EP	410A-22-1		410J-23
	420F-19		410B-22-1		410K-23
	420G-19		410C-22-1		410L-23
	420H-19		410D-22-1		410M-23
	420J-19		410E-22-1		410N-23
	420K-19		410F-22-1		410P-23
61632-93J00	420L-19		410G-22-1	61641-93J20	410A-24
	420M-19		410H-22-1		410B-24
	410A-20		410J-22-1		410C-24
	410B-20		410K-22-1		410D-24
	410C-20		410L-22-1		410E-24
	410D-20		410M-22-1		410F-24
	410E-20		410N-22-1		410G-24
	410F-20		410P-22-1		410H-24
	410G-20	61634-93J00-Y5S	410A-22-2		410J-24
	410H-20		410B-22-2		410K-24
	410J-20		410C-22-2		410L-24
	410K-20		410D-22-2		410M-24
	410L-20		410E-22-2		410N-24
	410M-20		410F-22-2		410P-24
	410N-20		410G-22-2	61645-93J01-0EP	410A-25-1
	410P-20		410H-22-2		410B-25-1
61633-93J00-0EP	410A-21-1		410J-22-2		410C-25-1
	410B-21-1		410K-22-2		410D-25-1
	410C-21-1		410L-22-2		410E-25-1
	410D-21-1		410M-22-2		410F-25-1
	410E-21-1		410N-22-2		410G-25-1
	410F-21-1	61639-93J00	410P-22-2		410H-25-1
	410G-21-1		410A-38		410J-25-1
	410H-21-1		410B-38		410K-25-1
	410J-21-1		410C-38		410L-25-1
	410K-21-1		410D-38		410M-25-1
	410L-21-1		410E-38		410N-25-1
	410M-21-1		410F-38		410P-25-1
	410N-21-1		410G-38	61645-93J01-Y5S	410A-25-2
	410P-21-1		410H-38		410B-25-2
61633-93J00-Y5S	410A-21-2		410J-38		410C-25-2
	410B-21-2		410K-38		410D-25-2
	410C-21-2		410L-38		410E-25-2
	410D-21-2		410M-38		410F-25-2

PART NO.	FIG.NO.-REF.NO.	PART NO.	FIG.NO.-REF.NO.	PART NO.	FIG.NO.-REF.NO.
	410G-25-2		410L-6-1		410J-7-2
	410H-25-2		410M-6-1		410K-7-2
	410J-25-2	61811-93J40-Y5S	410A-6-2		410L-7-2
	410K-25-2		410B-6-2		410M-7-2
	410L-25-2		410C-6-2		410N-7-2
	410M-25-2		410D-6-2	61827-93J02	410P-7-2
	410N-25-2		410E-6-2		410A-12
	410P-25-2		410F-6-2		410B-12
61649-93J00	410A-39		410G-6-2		410C-12
	410B-39		410H-6-2		410D-12
	410C-39		410J-6-2		410E-12
	410D-39		410K-6-2		410F-12
	410E-39		410L-6-2		410G-12
	410F-39		410M-6-2		410H-12
	410G-39	61817-93J00	410A-10		410J-12
	410H-39		410B-10		410K-12
	410J-39		410C-10		410L-12
	410K-39		410D-10		410M-12
	410L-39		410E-10		410N-12
	410M-39		410F-10		410P-12
	410N-39		410G-10	61831-93J13-0EP	410A-15-1
	410P-39		410H-10		410B-15-1
61673-93J01	410A-26		410J-10		410C-15-1
	410B-26		410K-10		410D-15-1
	410C-26		410L-10		410E-15-1
	410D-26		410M-10		410F-15-1
	410E-26		410N-10		410G-15-1
	410F-26		410P-10		410H-15-1
	410G-26	61821-93J10-0EP	410A-7-1		410J-15-1
	410H-26		410B-7-1		410K-15-1
	410J-26		410C-7-1		410L-15-1
	410K-26		410D-7-1		410M-15-1
	410L-26		410E-7-1		410N-15-1
	410M-26		410F-7-1		410P-15-1
	410N-26		410G-7-1	61831-93J13-Y5S	410A-15-2
	410P-26		410H-7-1		410B-15-2
61811-93J30-0EP	410N-6-1		410J-7-1		410C-15-2
	410P-6-1		410K-7-1		410D-15-2
61811-93J30-Y5S	410N-6-2		410L-7-1		410E-15-2
	410P-6-2		410M-7-1		410F-15-2
61811-93J40-0EP	410A-6-1		410N-7-1		410G-15-2
	410B-6-1		410P-7-1		410H-15-2
	410C-6-1	61821-93J10-Y5S	410A-7-2		410J-15-2
	410D-6-1		410B-7-2		410K-15-2
	410E-6-1		410C-7-2		410L-15-2
	410F-6-1		410D-7-2		410M-15-2
	410G-6-1		410E-7-2		410N-15-2
	410H-6-1		410F-7-2		410P-15-2
	410J-6-1		410G-7-2	63610-93J00	164A-7
	410K-6-1		410H-7-2	65700-93J02	430A-4

PART NO.	FIG.NO.-REF.NO.	PART NO.	FIG.NO.-REF.NO.	PART NO.	FIG.NO.-REF.NO.
65770-93J11	430A-5		542A-44		544A-12
67140-95600	508A-56		545A-42	67251-99E20	508A-25
67200-93J13	544A-1	67232-95620	542A-29		518A-35
	545A-1		545A-28		518A-38
67200-93J23	541A-1	67233-92E00	518A-27		542A-40
	542A-1		542A-27		545A-39
67200-93J32	517A-1		545A-26	67252-95600	508A-26
	518A-1	67234-92E00	518A-21		541A-14
67200-93J50	508A-1		542A-22	67253-92E00	544A-15
67211-92E50	517A-29		545A-22		518A-37
67211-93J00	544A-27	67235-92E00	518A-28		542A-39
67211-93J10	541A-26		542A-28		545A-38
67212-95600	508A-14		545A-27	67253-95600	508A-27
67220-95630	508A-16	67236-92E00	518A-30		518A-39
67221-92E00	542A-8		542A-33		542A-42
	545A-8		545A-32		545A-40
67221-92E50	518A-7	67237-92E01	518A-31	67254-92E50	517A-22
67222-92E00	542A-2		542A-34	67255-92E50	517A-8
	545A-2		545A-33	67255-99E10	508A-28
67222-92E50	518A-2	67238-87D00	508A-20	67256-92E50	517A-11
67223-92E00	542A-3	67238-92E00	542A-35	67256-95600	508A-29
	545A-3		545A-34	67257-92E00	517A-12
67223-92E50	518A-6	67238-92E50	518A-32		541A-10
67223-99E10	508A-17	67239-92E00	518A-33		544A-11
67224-92E00	542A-9		542A-36	67257-99E10	508A-30
	545A-9		545A-35	67258-99E00	508A-31
67224-92E50	518A-8	67239-92E10	518A-29	67259-87D00	508A-32
67225-92E00	518A-25		542A-47	67261-92E50	517A-10
67225-92E50	518A-9		545A-45	67261-93J00	541A-2
67226-92E00	542A-15	67240-92E00	542A-17		544A-2
	545A-15		545A-17	67261-99E10	508A-33
67226-92E10	518A-14	67240-92E50	518A-16	67263-93J00	541A-3
	542A-16	67241-92E10	542A-45		544A-3
	545A-16		545A-43	67264-95600	508A-35
67227-92E00	518A-23	67241-92E50	518A-42	67267-93J00	508A-36
	542A-24	67241-99E10	508A-21	67269-92E00	542A-30
	545A-24	67242-92E50	517A-13		545A-29
67228-92E00	518A-17	67243-92E00	542A-46		541A-25
	542A-18		545A-44		544A-26
	545A-18	67243-95600	508A-22	67272-92E10	542A-48
67229-95600	508A-18	67244-95600	508A-23	67273-92E00	544A-23
67230-92E00	518A-19	67245-92E00	518A-22	67273-92E10	541A-23
	542A-20		542A-23		508A-37
	545A-20		545A-23		517A-25
67231-92E00	518A-40	67245-95600	508A-24		541A-22
	542A-43	67246-92E00	542A-37		544A-22
	545A-41		545A-36	67274-92E00	542A-41
67232-92E50	518A-43	67246-92E50	518A-34		544A-24
67232-95600	508A-19	67251-92E50	517A-9	67274-92E50	517A-28
	518A-41	67251-93J00	541A-11	67275-95600	508A-38

PART NO.	FIG.NO.-REF.NO.	PART NO.	FIG.NO.-REF.NO.	PART NO.	FIG.NO.-REF.NO.
	517A-24	67295-92E50	517A-18		410N-46
	541A-21	67296-88D10	517A-15		410P-46
	544A-21		518A-24	67320-93J00	508A-59-1
67281-93J00	544A-17		541A-6	67320-93J10	508A-59-2
	541A-17		542A-13	67320-93J20	508A-59-3
67282-93J00	541A-17		542A-31	67320-93J30	508A-59-4
67282-94L00	508A-52		544A-6	67320-93J40	508A-59-5
67283-92E50	517A-26		545A-13	67320-93J50	508A-59-6
67284-92E50	517A-27		545A-30	67320-93J60	508A-59-7
67284-94L00	508A-53		517A-17	67320-93J70	508A-59-8
67286-92E00	518A-18	67296-88D20	517A-17	67320-93J80	508A-59-9
	542A-19		517A-21	67341-93J20	410A-34
	545A-19		508A-41		410B-34
67287-92E00	541A-20	67296-92E11	508A-15		410C-34
	544A-20		518A-13		410D-34
	542A-49		542A-12		410E-34
67287-92E10	517A-19		545A-12		410F-34
67287-92E50	517A-19	67296-92E20	518A-15		410G-34
67288-92E00	542A-4		542A-14		410H-34
	545A-4		545A-14		410J-34
67288-92E10	518A-4		541A-18		410K-34
	542A-6	67296-92E30	544A-18		410L-34
	545A-6		541A-12		410M-34
67288-92E20	517A-14	67296-92E60	544A-13		410N-34
	541A-7		541A-8		410P-34
	544A-7	67296-92E70	541A-27		410Q-34
67288-92E30	541A-13		544A-9	67343-93J20	410A-40
	544A-14		544A-28		410B-40
67288-92E40	541A-9		542A-50		410C-40
	544A-10	67296-92E80	508A-42		410D-40
67288-92E60	517A-6		508A-34		410E-40
67288-92E70	517A-16	67296-94310	517A-3		410F-40
67291-92E00	518A-5		517A-3		410G-40
	542A-7	67296-95600	508A-43		410H-40
	545A-7	67296-95610	508A-44		410J-40
67291-92E10	518A-36		542A-26		410K-40
	542A-38		544A-25		410L-40
	545A-37	67296-95621	508A-58		410M-40
67292-94300	508A-39	67297-95600	508A-45		410N-40
	518A-3	67298-92E50	517A-2		410O-40
	542A-5	67300-93J00	410A-46		410P-40
	545A-5		410B-46	67345-93J00	410A-35
67294-92E00	518A-11		410C-46		410B-35
	542A-10		410D-46		410C-35
	545A-10		410E-46		410D-35
67294-95600	508A-40		410F-46		410E-35
	508A-57		410G-46		410F-35
67295-92E00	541A-24		410H-46		410G-35
	544A-8		410J-46		410H-35
67295-92E10	517A-4		410K-46		410J-35
	541A-5		410L-46		410K-35
	544A-5		410M-46		410L-35

PART NO.	FIG.NO.-REF.NO.	PART NO.	FIG.NO.-REF.NO.	PART NO.	FIG.NO.-REF.NO.
67361-93J00	410M-35		420E-27		420M-30
	410N-35		420F-25		
	410P-35		420G-27		
	410A-47		420H-25		
	410B-47		420J-27		
70000	410C-47	69711-93E10	420K-25	00000	
	410D-47		420L-27		
	410E-47		420M-25		
	410F-47		136A-7		
	410G-47				
	410H-47				
	410J-47				
	410K-47				
	410L-47				
	410M-47				
90000	410N-47	77811-54GB0-OPG	508A-46		
	410P-47				
	67463-95200		164A-8		
	67467-89J01		442A-8		
	67500-93J00		544A-29		
	67500-93J10		541A-28		
	67600-93J00		573A-1		
	67630-93J00		573A-5		
	67700-93J00		442A-1		
	67701-87J11		442A-3		
	67721-87J00	95569-78040	442A-4		
	67721-93J00		573A-4		
	67725-93E00		573A-6		
	67725-93J00		573A-2		
	67725-99E00		442A-5		
67726-93J00		573A-3			
67726-99E00		442A-6			
01500-06307	67728-99E00	99011-93JA0-054	420A-30-1		
	68110-96J00		420A-31		
	420B-31		420B-30-1		
	420C-31		420E-30-1		
	420D-31		420F-30-1		
	420D-31		420J-30-1		
	420E-31		420K-30-1		
	420F-31	99011-93JA0-059	420A-30-2		
	420G-31		420B-30-2		
	420H-31		420C-30		
	420J-31		420D-30		
	420K-31		420E-30-2		
	420L-31		420F-30-2		
	420M-31		420G-30		
	420A-27		420H-30		
420B-25		420J-30-2			
420C-27		420K-30-2			
420D-25		420L-30			

PART NO.	FIG.NO.-REF.NO.	PART NO.	FIG.NO.-REF.NO.	PART NO.	FIG.NO.-REF.NO.
01547-06207 01547-06257	420E-21		410F-19		322B-21
	420F-21		410G-19		322B-23
	420G-21		410H-19		322C-16
	420H-21		410J-19		322C-21
	420J-21		410K-19		322C-23
	420K-21		410L-19		322D-16
	420L-21		410M-19		322D-21
	420M-21		410N-19		322D-23
	310A-10		410P-19		322E-16
	111A-29	01550-06127	144A-23		322E-21
	111B-29		144B-23		322E-23
	111C-29		144C-23		322F-16
	111D-29		144D-23		322F-21
	111E-29		144E-23		322F-23
	111F-29		144F-23		322G-16
111G-29		144G-23		322G-21	
111H-29		144H-23		322G-23	
111J-30		144J-23		322H-16	
111K-30		144K-23		322H-21	
111L-30		144L-23		322H-23	
111M-30		144M-23		322J-16	
163A-17		147A-68		322J-21	
163B-17		147B-65		322J-23	
163C-17		147C-68		322K-16	
163D-17		147D-65		322K-21	
163E-28		147E-68		322K-23	
163F-28		147F-65		322L-16	
163G-28		147G-68		322L-21	
163H-28		147H-65		322L-23	
163J-28		147J-68		322M-16	
163K-28		147K-65		322M-21	
163L-28		147L-68		322M-23	
163M-28		147M-65		326A-13	
111A-30	01547-06507	180A-28		326A-19	
111B-30		303A-14		326B-13	
111C-30		303B-14		326B-19	
111D-30		303C-14		326C-13	
111E-30		303D-14		326C-19	
111F-30		303E-14		326D-13	
111G-30		303F-14		326D-19	
111H-30		303G-14		326E-13	
111J-31		303H-14		326E-19	
111K-31		303J-14		326F-13	
111L-31		303K-14		326F-19	
111M-31		303L-14		326G-13	
410A-19	01550-05107	303M-14		326G-19	
410B-19		322A-16		326H-13	
410C-19		322A-21		326H-19	
410D-19		322A-23		326J-13	
410E-19		322B-16		326J-19	

PART NO.	FIG.NO.-REF.NO.	PART NO.	FIG.NO.-REF.NO.	PART NO.	FIG.NO.-REF.NO.
	326K-13		303K-11		204C-21
	326K-19		303L-6		204D-21
	326L-13		303L-11		204E-21
	326L-19		303M-6		204F-21
	326M-13		303M-11		204G-21
	326M-19		410A-37		204H-21
	420A-22		410B-37		204J-21
	420B-22		410C-37		204K-21
	420C-22		410D-37		204L-21
	420D-22		410E-37		204M-21
	420E-22		410F-37	01550-0620A	119A-25
	420F-22		410G-37		119A-26
	420G-22		410H-37	01550-06257	121A-12
	420H-22		410J-37		121B-12
	420J-22		410K-37		121C-12
	420K-22		410L-37		121D-12
	420L-22		410M-37		121E-12
	420M-22		410N-37		121F-12
01550-06167	163A-39		410P-37		121G-12
	163B-39	01550-0616A	175A-11		121H-12
	163C-39	01550-06207	111A-4		121J-13
	163D-39		111A-8		121K-13
	163E-53		111B-4		121L-13
	163F-53		111B-8		121M-13
	163G-53		111C-4		140A-10
	163H-53		111C-8		147A-46
	163J-53		111D-4		147B-42
	163K-53		111D-8		147C-46
	163L-53		111E-4		147D-42
	163M-53		111E-8		147E-46
	164A-15		111F-4		147F-42
	303A-6		111F-8		147G-46
	303A-11		111G-4		147H-42
	303B-6		111G-8		147J-46
	303B-11		111H-4		147K-42
	303C-6		111H-8		147L-46
	303C-11		111J-4		147M-42
	303D-6		111J-8		162A-35
	303D-11		111K-4		164A-16
	303E-6		111K-8		310A-8
	303E-11		111L-4		322A-7
	303F-6		111L-8		322B-7
	303F-11		111M-4		322C-7
	303G-6		111M-8		322D-7
	303G-11		113A-20		322E-7
	303H-6		136A-2		322F-7
	303H-11		162A-33		322G-7
	303J-6		162A-34		322H-7
	303J-11		204A-21		322J-7
	303K-6		204B-21		322K-7

PART NO.	FIG.NO.-REF.NO.	PART NO.	FIG.NO.-REF.NO.	PART NO.	FIG.NO.-REF.NO.
	322L-7		111B-37		401C-23
01550-06307	322M-7		111C-18		401D-9
	163E-29		111C-37		401D-23
	163F-29		111D-18		401E-9
	163G-29		111D-37		401E-23
	163H-29		111E-18		401F-9
	163J-29		111E-37		401F-23
	163K-29		111F-18		401G-9
	163L-29		111F-37		401G-23
	163M-29		111G-18		401H-9
01550-06357	147A-64		111G-37		401H-23
	147B-61		111H-18		401J-9
	147C-64		111H-37		401J-23
	147D-61		111J-18		401K-9
	147E-64		111J-38		401K-23
	147F-61		111K-18		401L-9
	147G-64		111K-38		401L-23
	147H-61		111L-18		401M-9
	147J-64		111L-38		401M-23
	147K-61		111M-18	01550-0830A	119A-13
	147L-64		111M-38		119A-17
	147M-61		113A-2		119A-21
01550-06407	164A-17		140A-9		401A-17
	136A-3		301A-25		401B-17
01550-08127	162A-25	01550-0820A	163E-62		401C-17
01550-08167	163E-8		163F-62		401D-17
	163F-8		163G-62		401E-17
	163G-8		163H-62		401F-17
	163H-8		163J-62		401G-17
	163J-8		163K-62		401H-17
	163K-8		163L-62		401J-17
	163L-8		163M-62		401K-17
	163M-8	01550-08307	163A-40		401L-17
	410A-14		163B-40		401M-17
	410B-14		163C-40	01550-08357	136A-5
	410C-14		163D-40	01550-0835A	113A-24
	410D-14		163E-54	01550-08407	144A-18
	410E-14		163F-54		144B-18
	410F-14		163G-54		144C-18
	410G-14		163H-54		144D-18
	410H-14		163J-54		144E-18
	410J-14		163K-54		144F-18
	410K-14		163L-54		144G-18
	410L-14		163M-54		144H-18
	410M-14		301A-26		144J-18
	410N-14		401A-9		144K-18
	410P-14		401A-23		144L-18
01550-08207	111A-18		401B-9		144M-18
	111A-37		401B-23		147A-66
	111B-18		401C-9		147B-63

PART NO.	FIG.NO.-REF.NO.	PART NO.	FIG.NO.-REF.NO.	PART NO.	FIG.NO.-REF.NO.
	147C-66	01550-0865A	175A-13		147J-56
	147D-63	01550-0885A	175A-14		147K-52
	147E-66	01550-1025A	116A-12		116L-56
	147F-63	01550-1050A	180A-19		147M-52
	147G-66	01570-06107	410A-43	02112-05107	147A-30
	147H-63		410B-43		147C-30
	147J-66		410C-43		147E-30
	147K-63		410D-43		147G-30
	147L-66		410E-43		147J-30
	147M-63		410F-43		147L-30
01550-08457	113A-25		410G-43	02112-0512A	163E-9
01550-0845A	175A-12		410H-43		163F-9
01550-0855A	119A-7		410J-43		163G-9
01550-08607	111A-19		410K-43		163H-9
	111A-20		410L-43		163J-9
	111B-19		410M-43		163K-9
	111B-20		410N-43		163L-9
	111C-19		410P-43		163M-9
	111C-20	01570-06127	322A-27	02112-0612A	111A-28
	111D-19		322B-27		111B-28
	111D-20		322C-27		111C-28
	111E-19		322D-27		111D-28
	111E-20		322E-27		111E-28
	111F-19		322F-27		111F-28
	111F-20		322G-27		111G-28
	111G-19		322H-27		111H-28
	111G-20		322J-27		111J-29
	111H-19		322K-27		111K-29
	111H-20		322L-27		111L-29
	111J-19		322M-27		111M-29
	111J-20	01570-06357	147A-50	02112-3416B	163A-18
	111K-19		147B-46		163B-18
	111K-20		147C-50		163C-18
	111L-19		147D-46		163D-18
	111L-20		147E-50		163E-30
	111M-19		147F-46		163F-30
	111M-20		147G-50		163G-30
	164A-18		147H-46		163H-30
	401A-24		147J-50		163J-30
	401B-24		147K-46		163K-30
	401C-24		147L-50		163L-30
	401D-24		147M-46		163M-30
	401E-24	02112-0406B	147A-56	02112-35087	163A-28
	401F-24		147B-52		163B-28
	401G-24		147C-56		163C-28
	401H-24		147D-52		163D-28
	401J-24		147E-56		163E-42
	401K-24		147F-52		163F-42
	401L-24		147G-56		163G-42
	401M-24		147H-52		163H-42

PART NO.	FIG.NO.-REF.NO.	PART NO.	FIG.NO.-REF.NO.	PART NO.	FIG.NO.-REF.NO.
	163J-42	03122-05165	530A-14	04221-08129	220A-38
	163K-42	03542-05169	420A-14		220B-38
	163L-42		420A-15		220E-38
	163M-42		420A-16		220F-38
02112-35167	326A-4		420A-17		220J-38
	326B-4		420B-14		220K-38
	326C-4		420B-15		407C-4
	326D-4		420B-16		407D-4
	326E-4		420B-17		407G-4
	326F-4		420C-14		407H-4
	326G-4		420C-15		407L-4
	326H-4		420C-16		407M-4
	326J-4		420C-17	06111-07004	220A-23
	326K-4		420D-14		220B-23
	326L-4		420D-15		220C-21
	326M-4		420D-16		220D-21
02142-0408B	147A-29		420D-17		220E-23
	147C-29		420E-14		220F-23
	147E-29		420E-15		220G-21
	147G-29		420E-16		220H-21
	147J-29		420E-17		220J-23
	147L-29		420F-14		220K-23
02142-05107	204A-22		420F-15		220L-21
	204B-22		420F-16		220M-21
	204C-22		420F-17	06111-11004	220A-24
	204D-22		420G-14		220B-24
	204E-22		420G-15		220C-22
	204F-22		420G-16		220D-22
	204G-22		420G-17		220E-24
	204H-22		420H-14		220F-24
	204J-22		420H-15		220G-22
	204K-22		420H-16		220H-22
	204L-22		420H-17		220J-24
	204M-22		420J-14		220K-24
02142-06207	134A-7		420J-15		220L-22
02162-0520B	163A-19		420J-16		220M-22
	163B-19		420J-17	07130-0616A	113A-14
	163C-19		420K-14	08110-60020	175A-15
	163D-19		420K-15	08110-62080	119A-3
	163E-31		420K-16	08113-60100	220A-31
	163F-31		420K-17		220B-31
	163G-31		420L-14		220E-31
	163H-31		420L-15		220F-31
	163J-31		420L-16		220J-31
	163K-31		420L-17		220K-31
	163L-31		420M-14	08211-30382	220A-11-1
	163M-31		420M-15		220B-11-1
03112-0630B	501A-28		420M-16		220E-11-1
03121-0516A	530A-26		420M-17		220F-11-1
	530A-38	04211-13149	119A-12		220J-11-1

PART NO.	FIG.NO.-REF.NO.	PART NO.	FIG.NO.-REF.NO.	PART NO.	FIG.NO.-REF.NO.
08211-30384	220K-11-1		322B-2		315D-7
	220A-11-5		322C-2		315E-7
	220B-11-5		322D-2		315F-7
	220E-11-5		322E-2		315G-7
	220F-11-5		322F-2		315H-7
08211-30385	220J-11-5		322G-2		315J-7
	220K-11-5		322H-2		315K-7
	220A-11-8		322J-2		315L-7
	220B-11-8		322K-2		315M-7
	220E-11-8		322L-2	09100-08232	508A-47
08221-16256	220F-11-8		322M-2	09100-12052	407A-3
	220J-11-8	08316-1008A	163A-45		407B-3
	220K-11-8		163B-45		407C-6
	220A-9		163C-45		407D-6
	220B-9		163D-45		407E-3
08310-00067	220C-9		163E-63		407F-3
	220D-9		163F-63		407G-6
	220E-9		163G-63		407H-6
	220F-9		163H-63		407J-3
	220G-9		163J-63		407K-3
08310-00067	220H-9		163K-63		407L-6
	220J-9		163L-63		407M-6
	220K-9	08322-01087	163M-63	09100-12085	335A-9-3
	220L-9		163A-5		335B-9-3
	220M-9		163B-5		335C-9-3
08316-10087	322A-28		163C-5		335D-9-3
	322B-28		163D-5		335E-9-3
	322C-28		163E-14		335F-9-3
	322D-28		163F-14		335G-9-3
	322E-28		163G-14		335H-9-3
08316-10087	322F-28		163H-14		335J-9-3
	322G-28		163J-14		335K-9-3
	322H-28		163K-14		335L-9-3
	322J-28		163L-14		335M-9-3
	322K-28		163M-14		335N-6-2
08316-10087	322L-28	08331-41359	204A-23	09100-12086	335P-6-2
	322M-28		204B-23		335A-9-2
	163A-41		204C-23		335B-9-2
	163B-41		204D-23		335C-9-2
	163C-41		204E-23		335D-9-2
08316-10087	163D-41		204F-23		335E-9-2
	163E-55		204G-23		335F-9-2
	163F-55		204H-23		335G-9-2
	163G-55		204J-23		335H-9-2
	163H-55		204K-23		335J-9-2
08316-10087	163J-55		204L-23		335K-9-2
	163K-55		204M-23		335L-9-2
	163L-55	09100-06113	315A-7		335M-9-2
	163M-55		315B-7		335N-6-1
	322A-2		315C-7		335P-6-1

PART NO.	FIG.NO.-REF.NO.	PART NO.	FIG.NO.-REF.NO.	PART NO.	FIG.NO.-REF.NO.
09100-12092	335A-9-1		303G-12		163E-59
	335B-9-1		303H-12		163F-59
	335C-9-1		303J-12		163G-59
	335D-9-1		303K-12		163H-59
	335E-9-1		303L-12		163J-59
09103-06278	335F-9-1		303M-12		163K-59
	335G-9-1		335A-20	09103-08182	163L-59
	335H-9-1		335B-20		163M-59
	335J-9-1		335C-20		163A-42
	335K-9-1		335D-20		163B-42
09100-14004	335L-9-1		335E-20		163C-42
	335M-9-1		335F-20		163D-42
	335N-6-3		335G-20		163E-58
	335P-6-3		335H-20		163F-58
	401A-27		335J-20		163G-58
09103-06281	401B-27		335K-20		163H-58
	401C-27		335L-20		163J-58
	401D-27		335M-20		163K-58
	401E-27		335N-15		163L-58
	401F-27		335P-15		163M-58
09103-08109	401G-27		111A-17	09103-08437	122A-4
	401H-27		111B-17	09103-12125	303A-2
	401J-27		111C-17		303B-2
	401K-27		111D-17		303C-2
	401L-27		111E-17		303D-2
09103-06093	401M-27		111F-17		303E-2
	405A-15		111G-17		303F-2
	405B-11		111H-17		303G-2
	405C-15		111J-17		303H-2
	405D-11		111K-17		303J-2
09103-08109	405E-15		111L-17		303K-2
	405F-15		111M-17		303L-2
	405G-15		140A-7	09106-05030	303M-2
	405H-15		180A-4		303A-8
	405J-15		401A-15		303B-8
09103-06231	405K-15		401B-15		303C-8
	405L-15		401C-15		303D-8
	405M-15		401D-15		303E-8
	405N-10		401E-15		303F-8
	405P-10		401F-15		303G-8
09103-08134	315A-14		401G-15		303H-8
	315A-15		401H-15		303J-8
	315B-14		401J-15		303K-8
	315B-15		401K-15		303L-8
	303A-12		401L-15		303M-8
09103-08134	303B-12		401M-15	09108-08267	163A-44
	303C-12		163A-43		163B-44
	303D-12		163B-43		163C-44
	303E-12		163C-43		163D-44
	303F-12		163D-43		163E-44

PART NO.	FIG.NO.-REF.NO.	PART NO.	FIG.NO.-REF.NO.	PART NO.	FIG.NO.-REF.NO.
	163F-60		410D-27		401E-20
	163G-60		410E-27		401F-20
	163H-60		410F-27		401G-20
	163J-60		410G-27		401H-20
	163K-60		410H-27		401J-20
	163L-60		410J-27		401K-20
	163M-60		410K-27		401L-20
09108-08282	122A-3		410L-27		401M-20
09108-10115	405A-8		410M-27	09116-08126	401A-39
	405C-8		410N-27		401B-39
	405E-8		410P-27		401C-39
	405F-8	09116-06202	310A-7		401D-39
	405G-8	09116-06236	405A-27-1		401E-39
	405H-8		405A-27-2		401F-39
	405J-8		405B-23		401G-39
	405K-8		405C-27-1		401H-39
	405L-8		405C-27-2		401J-39
	405M-8		405D-23		401K-39
09108-10150	405N-5		405E-27-1		401L-39
	405P-5		405E-27-2		401M-39
09108-12013	405A-9		405F-27-1	09116-08128	180A-20
	405C-9		405F-27-2	09116-08131	160A-14
	405E-9		405G-27-1		160B-14
	405F-9		405G-27-2		160C-14
	405G-9		405H-27-1		160D-14
	405H-9		405H-27-2		160E-14
	405J-9		405J-27-1		160F-14
	405K-9		405J-27-2		160G-14
	405L-9		405K-27-1		160H-14
	405M-9		405K-27-2		160J-14
09116-05010	315A-22		405L-27-1		160K-14
	315B-22		405L-27-2		160L-14
09116-06121	162A-13		405M-27-1		160M-14
	335A-15		405M-27-2	09116-08137	407A-12
	335B-15		407A-16		407B-9
	335C-15		407B-13		407C-15
	335D-15		407C-19		407D-12
	335E-15		407D-16		407E-12
	335F-15		407E-16		407F-12
	335G-15		407F-16		407G-15
	335H-15		407G-19		407H-15
	335J-15		407H-19		407J-12
	335K-15		407J-16		407K-12
	335L-15		407K-16		407L-15
	335M-15		407L-19		407M-15
	335N-12		407M-19	09116-08158	220A-32
09116-06127	335P-12	09116-08122	401A-20		220B-32
	410A-27		401B-20		220C-33
	410B-27		401C-20		220D-33
	410C-27		401D-20		220E-32

PART NO.	FIG.NO.-REF.NO.	PART NO.	FIG.NO.-REF.NO.	PART NO.	FIG.NO.-REF.NO.
	220F-32		401F-35		401C-36
	220G-33		401G-35		401D-32
	220H-33		401H-35		401D-36
	220J-32		401J-35		401E-32
	220K-32		401K-35		401E-36
	220L-33		401L-35		401F-32
	220M-33		401M-35		401F-36
09116-08163	410A-16	09116-10146	180A-22		401G-32
	410B-16		401A-37		401G-36
	410C-16		401B-37		401H-32
	410D-16		401C-37		401H-36
	410E-16		401D-37		401J-32
	410F-16		401E-37		401J-36
	410G-16		401F-37		401K-32
	410H-16		401G-37		401K-36
	410J-16		401H-37		401L-32
	410K-16		401J-37		401L-36
	410L-16		401K-37		401M-32
	410M-16		401L-37		401M-36
	410N-16		401M-37		405A-21
	410P-16	09116-10150	407A-4		405B-17
09116-10134	401A-38		407B-4		405C-21
	401B-38		407C-7		405D-17
	401C-38		407D-7		405E-21
	401D-38		407E-4		405F-21
	401E-38		407F-4		405G-21
	401F-38		407G-7		405H-21
	401G-38		407H-7		405J-21
	401H-38		407J-4		405K-21
	401J-38		407K-4		405L-21
	401K-38		407L-7		405M-21
	401L-38		407M-7		405N-16
	401M-38	09116-10175	180A-21		405P-16
09116-10135	401A-31		337A-29	09116-10176	405A-2
	401B-31		337B-29		405B-2
	401C-31		337C-29		405C-2
	401D-31		337D-29		405D-2
	401E-31		337E-29		405E-2
	401F-31		337F-29		405F-2
	401G-31		337G-29		405G-2
	401H-31		337H-29		405H-2
	401J-31		337J-29		405J-2
	401K-31		337K-29		405K-2
	401L-31		337L-29		405L-2
	401M-31		337M-29		405M-2
09116-10137	401A-35		401A-32		405N-2
	401B-35		401A-36		405P-2
	401C-35		401B-32	09116-10183	337N-19
	401D-35		401B-36		337P-19
	401E-35		401C-32	09119-06047	164A-9

PART NO.	FIG.NO.-REF.NO.	PART NO.	FIG.NO.-REF.NO.	PART NO.	FIG.NO.-REF.NO.
09125-04004	518A-26		336C-18		337H-36
09125-04021	517A-7		336D-8		337J-34
09125-05042	518A-20		336D-18		337J-35
	542A-21		336E-8		337J-36
	545A-21		336E-18		337K-34
09125-05050	337N-26		336F-8		337K-35
	337P-26		336F-18		337K-36
09125-05135	541A-29		336G-8		337L-34
	544A-30		336G-18		337L-35
09125-06063	315A-9		336H-8		337L-36
	315B-9		336H-18		337M-34
	315C-9		336J-8		337M-35
	315D-9		336J-18		337M-36
	315E-9		336K-8		337N-25
	315F-9		336K-18		337P-25
	315G-9		336L-8		405A-6
	315H-9		336L-18		405A-12
	315J-9		336M-8		405B-6
	315K-9		336M-18		405B-8
	315L-9		336N-7		405C-6
	315M-9		336N-14		405C-12
	335A-5		336N-20		405D-6
	335A-24		336N-26		405D-8
	335B-5		336P-7		405E-6
	335B-24		336P-14		405E-12
	335C-5		336P-20		405F-6
	335C-24		336P-26		405F-12
	335D-5		337A-34		405G-6
	335D-24		337A-35		405G-12
	335E-5		337A-36		405H-6
	335E-24		337B-34		405H-12
	335F-5		337B-35		405J-6
	335F-24		337B-36		405J-12
	335G-5		337C-34		405K-6
	335G-24		337C-35		405K-12
	335H-5		337C-36		405L-6
	335H-24		337D-34		405L-12
	335J-5		337D-35		405M-6
	335J-24		337D-36		405M-12
	335K-5		337E-34		405N-7
	335K-24		337E-35		405N-20
	335L-5		337E-36		405P-7
	335L-24		337F-34		405P-20
	335M-5		337F-35	09126-05003	508A-48
	335M-24		337F-36	09126-06006	542A-25
	336A-8		337G-34		545A-25
	336A-18		337G-35	09132-04034	160A-15
	336B-8		337G-36		160B-15
	336B-18		337H-34		160C-15
	336C-8		337H-35		160D-15

PART NO.	FIG.NO.-REF.NO.	PART NO.	FIG.NO.-REF.NO.	PART NO.	FIG.NO.-REF.NO.
	160E-15	09139-06136	410A-5		407F-27
	160F-15		410B-5		407G-30
	160G-15		410C-5		407H-30
	160H-15		410D-5		407J-27
	160J-15		410E-5		407K-27
	160K-15		410F-5		407L-30
	160L-15		410G-5		407M-30
	160M-15		410H-5	09159-08136	122A-5
09136-06148	410A-11		410J-5	09159-12014	407A-8
	410B-11		410K-5		407C-11
	410C-11		410L-5		407E-8
	410D-11		410M-5		407F-8
	410E-11	09140-05005	164A-10		407G-11
	410F-11		541A-31		407H-11
	410G-11		544A-32		407J-8
	410H-11	09140-06020	508A-49		407K-8
	410J-11		518A-10		407L-11
	410K-11		542A-32		407M-11
	410L-11		545A-31	09159-12062	335A-10
	410M-11	09140-10032	336A-19		335B-10
	410N-5		336B-19		335C-10
	410N-11		336C-19		335D-10
	410P-5		336D-19		335E-10
	410P-11		336E-19		335F-10
09136-06161	410N-4		336F-19		335G-10
	410P-4		336G-19		335H-10
09137-04004	326A-6		336H-19		335J-10
	326B-6		336J-19		335K-10
	326C-6		336K-19		335L-10
	326D-6		336L-19		335M-10
	326E-6		336M-19		335N-7
	326F-6		336N-21		335P-7
	326G-6	09140-16021	336P-21	09159-14020	335A-17
	326H-6		220A-8		335B-17
	326J-6		220B-8		335C-17
	326K-6		220C-8		335D-17
	326L-6		220D-8		335E-17
	326M-6		220E-8		335F-17
09139-06135	410A-4		220F-8		335G-17
	410B-4		220G-8		335H-17
	410C-4		220H-8		335J-17
	410D-4		220J-8		335K-17
	410E-4		220K-8		335L-17
	410F-4		220L-8		335M-17
	410G-4		220M-8	09159-14026	401A-28
	410H-4	09141-18005	407A-27		401B-28
	410J-4		407B-24		401C-28
	410K-4		407C-30		401D-28
	410L-4		407D-27		401E-28
	410M-4		407E-27		401F-28

PART NO.	FIG.NO.-REF.NO.	PART NO.	FIG.NO.-REF.NO.	PART NO.	FIG.NO.-REF.NO.
	401G-28		326C-3	09160-06055	442A-10
	401H-28		326D-3	09160-06066	164A-11
	401J-28		326E-3	09160-06082	336A-20
	401K-28		326F-3		336B-20
	401L-28		326G-3		336C-20
	401M-28		326H-3		336D-20
	405A-17		326J-3		336E-20
	405B-13		326K-3		336F-20
	405C-17		326L-3		336G-20
	405D-13		326M-3		336H-20
	405E-17		541A-30		336J-20
	405F-17		544A-31		336K-20
	405G-17	09160-05043	163A-29		336L-20
	405H-17		163B-29		336M-20
	405J-17		163C-29		336N-22
	405K-17		163D-29		336P-22
	405L-17		163E-43	09160-06084	147A-60
	405M-17		163F-43		147B-57
	405N-12		163G-43		147C-60
	405P-12		163H-43		147D-57
09159-22006	335A-8		163J-43		147E-60
	335B-8		163K-43		147F-57
	335C-8		163L-43		147G-60
	335D-8		163M-43		147H-57
	335E-8	09160-06036	163A-38		147J-60
	335F-8		163B-38		147K-57
	335G-8		163C-38		147L-60
	335H-8		163D-38		147M-57
	335J-8		163E-52	09160-06094	204A-10
	335K-8		163F-52		204B-10
	335L-8		163G-52		204C-10
	335M-8		163H-52		204D-10
	335N-5		163J-52		204E-10
	335P-5		163K-52		204F-10
09159-28003	220A-4		163L-52		204G-10
	220B-4		163M-52		204H-10
	220C-4	09160-06047	410A-41		204J-10
	220D-4		410B-41		204K-10
	220E-4		410C-41		204L-10
	220F-4		410D-41		204M-10
	220G-4		410E-41	09160-06104	508A-50
	220H-4		410F-41		517A-20
	220J-4		410G-41	09160-08016	122A-6
	220K-4		410H-41	09160-08151	206A-10
	220L-4		410J-41		206B-10
	220M-4		410K-41		206C-10
09160-05024	541A-19		410L-41		206D-10
	544A-19		410M-41		206E-10
09160-05029	326A-3		410N-41		206F-10
	326B-3		410P-41		206G-10

PART NO.	FIG.NO.-REF.NO.	PART NO.	FIG.NO.-REF.NO.	PART NO.	FIG.NO.-REF.NO.
	206H-10		335G-12		405B-12
	206J-10		335H-12		405B-14
	206K-10		335J-12		405C-16
	206L-10		335K-12		405C-18
	206M-10		335L-12		405D-12
09160-10104	116A-11		335M-12		405D-14
09160-10141	405N-6		335N-8		405E-16
	405P-6		335P-8		405E-18
	407A-5	09160-13022	335A-11		405F-16
	407C-8		335B-11		405F-18
	407E-5		335C-11		405G-16
	407F-5		335D-11		405G-18
	407G-8		335E-11		405H-16
	407H-8		335F-11		405H-18
	407J-5		335G-11		405J-16
	407K-5		335H-11		405J-18
	407L-8		335J-11		405K-16
	407M-8		335K-11		405K-18
09160-12066	407A-6		335L-11		405L-16
	407B-5		335M-11		405L-18
	407C-9		335N-9		405M-16
	407D-8		335P-9		405M-18
	407E-6	09160-14066	405A-23		405N-11
	407F-6		405B-19		405N-13
	407G-9		405C-23		405P-11
	407H-9		405D-19		405P-13
	407J-6		405E-23	09160-18028	407A-28
	407K-6		405F-23		407B-25
	407L-9		405G-23		407C-31
	407M-9		405H-23		407D-28
09160-13014	410A-28		405J-23		407E-28
	410B-28		405K-23		407F-28
	410C-28		405L-23		407G-31
	410D-28		405M-23		407H-31
	410E-28		405N-18		407J-28
	410F-28		405P-18		407K-28
	410G-28	09160-15051	401A-29		407L-31
	410H-28		401B-29		407M-31
	410J-28		401C-29	09160-18031	113A-8
	410K-28		401D-29	09160-30036	220A-11-2
	410L-28		401E-29		220B-11-2
	410M-28		401F-29		220E-11-2
	410N-28		401G-29		220F-11-2
	410P-28		401H-29		220J-11-2
09160-13021	335A-12		401J-29		220K-11-2
	335B-12		401K-29	09160-30037	220A-11-3
	335C-12		401L-29		220B-11-3
	335D-12		401M-29		220E-11-3
	335E-12	09160-16050	405A-16		220F-11-3
	335F-12		405A-18		220J-11-3

PART NO.	FIG.NO.-REF.NO.	PART NO.	FIG.NO.-REF.NO.	PART NO.	FIG.NO.-REF.NO.
09160-30038	220K-11-3	09160-35003	220D-10-6	09160-39001	220H-10-1
	220A-11-4		220G-10-6		220L-10-1
	220B-11-4		220H-10-6		220M-10-1
	220E-11-4		220L-10-6		336A-9
	220F-11-4		220M-10-6		336B-9
09160-30039	220J-11-4	09160-35004	220C-10-8	09160-75002	336C-9
	220K-11-4		220D-10-8		336D-9
	220A-11-6		220G-10-8		336E-9
	220B-11-6		220H-10-8		336F-9
	220E-11-6		220L-10-8		336G-9
09160-30041	220F-11-6	09160-35006	220M-10-8	09162-10005	336H-9
	220J-11-6		220C-10-4		336J-9
	220K-11-6		220D-10-4		336K-9
	220A-11-7		220G-10-4		336L-9
	220B-11-7		220H-10-4		336M-9
09160-30042	220E-11-7	09160-35008	220L-10-4	09168-12012	336N-8
	220F-11-7		220M-10-4		336P-8
	220J-11-7		220C-10-5		220A-12
	220K-11-7		220D-10-5		220B-12
	220A-11-9		220G-10-5		220C-11
09160-30043	220B-11-9	09160-35009	220H-10-5	09168-12013	220D-11
	220E-11-9		220L-10-5		220E-12
	220F-11-9		220M-10-5		220F-12
	220J-11-9		220C-10-7		220G-11
	220K-11-9		220D-10-7		220H-11
09160-30044	220A-11-10	09160-35010	220G-10-7	09168-16009	220J-12
	220B-11-10		220H-10-7		220K-12
	220E-11-10		220L-10-7		220L-11
	220F-11-10		220M-10-7		220M-11
	220J-11-10		220C-10-9		337A-26
09160-30055	220K-11-10	09160-35013	220D-10-9	09168-20002	337B-26
	220A-11-11		220G-10-9		337C-26
	220B-11-11		220H-10-9		337D-26
	220E-11-11		220L-10-9		337E-26
	220F-11-11		220M-10-9		337F-26
09160-30056	220J-11-11	09160-35015	220C-10-3	09164-14008	337G-26
	220K-11-11		220D-10-3		337H-26
	220C-24		220G-10-3		337J-26
	220D-24		220H-10-3		337K-26
	220G-24		220L-10-3		337L-26
09160-35002	220H-24	09160-35015	220M-10-3	09169-08038	337M-26
	220L-24		220C-10-2		337N-21
	220M-24		220D-10-2		337P-21
	220C-25		220G-10-2		410A-29
	220D-25		220H-10-2		410B-29
09160-35002	220G-25	09160-35015	220L-10-2	09181-39001	410C-29
	220H-25		220M-10-2		410D-29
	220L-25		220C-10-1		410E-29
	220M-25		220D-10-1		410F-29
	220C-10-6		220G-10-1		410G-29

PART NO.	FIG.NO.-REF.NO.	PART NO.	FIG.NO.-REF.NO.	PART NO.	FIG.NO.-REF.NO.
09169-05018	410H-29	09169-06062	163E-7	09169-08039	401F-40
	410J-29		163F-7		401G-40
	410K-29		163G-7		401H-40
	410L-29		163H-7		401J-40
	410M-29		163J-7		401K-40
09168-10034	410N-29	09169-06062	163K-7	09169-08039	401L-40
	410P-29		163L-7		401M-40
	407A-14		163M-7		410A-17
	407B-11		147A-15		410B-17
	407C-17		147A-61		410C-17
09168-12012	407D-14	09169-06062	147B-11	09169-08042	410D-17
	407E-14		147B-58		410E-17
	407F-14		147C-15		410F-17
	407G-17		147C-61		410G-17
	407H-17		147D-11		410H-17
09168-12013	407J-14	09169-06062	147D-58	09169-08042	410J-17
	407K-14		147E-15		410K-17
	407L-17		147E-61		410L-17
	407M-17		147F-11		410M-17
	180A-15		147F-58		410N-17
09168-16009	147A-17	09169-06062	147G-15	09169-08042	410P-17
	147C-17		147G-61		147A-65
	147E-17		147H-11		147B-62
	147G-17		147H-58		147C-65
	147J-17		147J-15		147D-62
09168-20002	147L-17	09169-06062	147J-61	09169-28003	147E-65
	111A-13		147K-11		147F-62
	111B-13		147K-58		147G-65
	111C-13		147L-15		147H-62
	111D-13		147L-61		147J-65
09168-20002	111E-13	09169-06062	147M-11	09180-06186	147K-62
	111F-13		147M-58		147L-65
	111G-13		310A-5		147M-62
	111H-13		322A-4		336N-11
	111J-13		322B-4		336P-11
09168-20002	111K-13	09169-06062	322C-4	09180-06230	164A-12
	111L-13		322D-4		164A-13
	111M-13		322E-4		220A-25
	160A-18		322F-4		220B-25
	160B-18		322G-4		220E-25
09168-20002	160C-18	09169-06062	322H-4	09180-25082	220F-25
	160D-18		322J-4		220J-25
	160E-18		322K-4		220K-25
	160F-18		322L-4		175A-9
	160G-18		322M-4		336A-10
09169-08038	160H-18	09169-08038	401A-40	09181-39001	336B-10
	160J-18		401B-40		336C-10
	160K-18		401C-40		336D-10
	160L-18		401D-40		336E-10
	160M-18		401E-40		336F-10

PART NO.	FIG.NO.-REF.NO.	PART NO.	FIG.NO.-REF.NO.	PART NO.	FIG.NO.-REF.NO.
	336G-10	09181-50013	220A-14-1		220G-7-3
	336H-10		220B-14-1		220G-12-3
	336J-10		220E-14-1		220H-7-3
	336K-10		220F-14-1		220H-12-3
	336L-10		220J-14-1		220J-7-3
	336M-10		220K-14-1		220K-7-3
09181-50005	336N-9	09181-60004	220A-7-1		220L-7-3
	336P-9		220B-7-1		220L-12-3
	220A-14-3		220C-7-1		220M-7-3
	220B-14-3		220C-12-1		220M-12-3
	220E-14-3		220D-7-1	09181-60007	220A-7-4
	220F-14-3		220D-12-1		220B-7-4
	220J-14-3		220E-7-1		220C-7-4
09181-50006	220K-14-3		220F-7-1		220C-12-4
	220A-14-4		220G-7-1		220D-7-4
	220B-14-4		220G-12-1		220D-12-4
	220E-14-4		220H-7-1		220E-7-4
	220F-14-4		220H-12-1		220F-7-4
	220J-14-4		220J-7-1		220G-7-4
09181-50007	220K-14-4		220K-7-1		220G-12-4
	220A-14-5		220L-7-1		220H-7-4
	220B-14-5		220L-12-1		220H-12-4
	220E-14-5		220M-7-1		220J-7-4
	220F-14-5		220M-12-1		220K-7-4
	220J-14-5	09181-60005	220A-7-2		220L-7-4
09181-50008	220K-14-5		220B-7-2		220L-12-4
	220A-14-6		220C-7-2		220M-7-4
	220B-14-6		220C-12-2		220M-12-4
	220E-14-6		220D-7-2	09181-60008	220A-7-5
	220F-14-6		220D-12-2		220B-7-5
	220J-14-6		220E-7-2		220C-7-5
09181-50009	220K-14-6		220F-7-2		220C-12-5
	220A-14-7		220G-7-2		220D-7-5
	220B-14-7		220G-12-2		220D-12-5
	220E-14-7		220H-7-2		220E-7-5
	220F-14-7		220H-12-2		220F-7-5
	220J-14-7		220J-7-2		220G-7-5
09181-50010	220K-14-7		220K-7-2		220G-12-5
	220A-14-8		220L-7-2		220H-7-5
	220B-14-8		220L-12-2		220H-12-5
	220E-14-8		220M-7-2		220J-7-5
	220F-14-8		220M-12-2		220K-7-5
	220J-14-8	09181-60006	220A-7-3		220L-7-5
09181-50012	220K-14-8		220B-7-3		220L-12-5
	220A-14-2		220C-7-3		220M-7-5
	220B-14-2		220C-12-3		220M-12-5
	220E-14-2		220D-7-3	09181-60009	220A-7-6
	220F-14-2		220D-12-3		220B-7-6
	220J-14-2		220E-7-3		220C-7-6
	220K-14-2		220F-7-3		220C-12-6

PART NO.	FIG.NO.-REF.NO.	PART NO.	FIG.NO.-REF.NO.	PART NO.	FIG.NO.-REF.NO.
	220D-7-6	09181-60012	220A-7-9		220C-13-7
	220D-12-6		220B-7-9		220D-13-7
	220E-7-6		220C-7-9		220E-15-7
	220F-7-6		220C-12-9		220F-15-7
	220G-7-6		220D-7-9		220G-13-7
	220G-12-6		220G-12-9		220H-13-7
	220H-7-6		220E-7-9		220J-15-7
	220H-12-6		220F-7-9		220K-15-7
	220J-7-6		220G-7-9		220L-13-7
	220K-7-6		220G-12-9		220M-13-7
	220L-7-6		220H-7-9	09181-75010	220A-15-9
	220L-12-6		220H-12-9		220B-15-9
	220M-7-6		220J-7-9		220C-13-9
	220M-12-6		220K-7-9		220D-13-9
09181-60010	220A-7-7		220L-7-9		220E-15-9
	220B-7-7		220L-12-9		220F-15-9
	220C-7-7		220M-7-9		220G-13-9
	220C-12-7		220M-12-9		220H-13-9
	220D-7-7	09181-60013	220A-7-10		220J-15-9
	220D-12-7		220B-7-10		220K-15-9
	220E-7-7		220C-7-10		220L-13-9
	220F-7-7		220C-12-10		220M-13-9
	220G-7-7		220D-7-10	09181-75011	220A-15-11
	220G-12-7		220D-12-10		220B-15-11
	220H-7-7		220E-7-10		220C-13-11
	220H-12-7		220F-7-10		220D-13-11
	220J-7-7		220G-7-10		220E-15-11
	220K-7-7		220G-12-10		220F-15-11
	220L-7-7		220H-7-10		220G-13-11
	220L-12-7		220H-12-10		220H-13-11
	220M-7-7		220J-7-10		220J-15-11
	220M-12-7		220K-7-10		220K-15-11
09181-60011	220A-7-8		220L-7-10		220L-13-11
	220B-7-8		220L-12-10		220M-13-11
	220C-7-8		220M-7-10	09181-75012	220A-15-3
	220C-12-8		220M-12-10		220B-15-3
	220D-7-8	09181-75008	220A-15-5		220C-13-3
	220D-12-8		220B-15-5		220D-13-3
	220E-7-8		220C-13-5		220E-15-3
	220F-7-8		220D-13-5		220F-15-3
	220G-7-8		220E-15-5		220G-13-3
	220G-12-8		220F-15-5		220H-13-3
	220H-7-8		220G-13-5		220J-15-3
	220H-12-8		220H-13-5		220K-15-3
	220J-7-8		220J-15-5		220L-13-3
	220K-7-8		220K-15-5		220M-13-3
	220L-7-8		220L-13-5	09181-75013	220A-15-4
	220L-12-8		220M-13-5		220B-15-4
	220M-7-8	09181-75009	220A-15-7		220C-13-4
	220M-12-8		220B-15-7		220D-13-4

PART NO.	FIG.NO.-REF.NO.	PART NO.	FIG.NO.-REF.NO.	PART NO.	FIG.NO.-REF.NO.
09181-75014	220E-15-4	09181-75019	220G-13-1	09202-08006	160G-16
	220F-15-4		220H-13-1		160H-16
	220G-13-4		220J-15-1		160J-16
	220H-13-4		220K-15-1		160K-16
	220J-15-4		220L-13-1		160L-16
	220K-15-4		220M-13-1		160M-16
	220L-13-4		220A-15-2		303A-3
	220M-13-4		220B-15-2		303B-3
	220A-15-6		220C-13-2		303C-3
	220B-15-6		220D-13-2		303D-3
	220C-13-6		220E-15-2		303E-3
	220D-13-6		220F-15-2		303F-3
220E-15-6	220G-13-2	303G-3			
220F-15-6	220H-13-2	303H-3			
220G-13-6	220J-15-2	303J-3			
220H-13-6	220K-15-2	303K-3			
220J-15-6	220L-13-2	303L-3			
220K-15-6	220M-13-2	303M-3			
220L-13-6	410A-30	180A-17			
220M-13-6	410B-30	180A-18			
220A-15-8	410C-30	405A-3			
220B-15-8	410D-30	405A-10			
220C-13-8	410E-30	405B-3			
220D-13-8	410F-30	405C-3			
220E-15-8	410G-30	405C-10			
220F-15-8	410H-30	405D-3			
220G-13-8	410J-30	405E-3			
220H-13-8	410K-30	405E-10			
220J-15-8	410L-30	405F-3			
220K-15-8	410M-30	405F-10			
220L-13-8	410N-30	405G-3			
220M-13-8	410P-30	405G-10			
220A-15-10	09202-05032	121A-8			
220B-15-10		121B-8			
220C-13-10		121C-8			
220D-13-10		121D-8			
220E-15-10		121E-8			
220F-15-10		121F-8			
220G-13-10		121G-8			
220H-13-10		121H-8			
220J-15-10		121J-9			
220K-15-10		121K-9			
220L-13-10		121L-9			
220M-13-10		121M-9			
220A-15-1	09202-06031	160A-16			
220B-15-1		160B-16			
220C-13-1		160C-16			
220D-13-1		160D-16			
220E-15-1		160E-16			
220F-15-1		160F-16			

PART NO.	FIG.NO.-REF.NO.	PART NO.	FIG.NO.-REF.NO.	PART NO.	FIG.NO.-REF.NO.
09202-08007	407G-13	09204-03003	336J-21	09205-02006	111E-3
	407H-13		336K-21		111E-7
	407J-10		336L-21		111F-3
	407K-10		336M-21		111F-7
	407L-13		336N-23		111G-3
	407M-13		336P-23		111G-7
	220A-19		407A-29		111H-3
	220B-19		407B-26		111H-7
	220C-17		407C-32		111J-3
	220D-17		407D-29		111J-7
	220E-19		407E-29		111J-28
	220F-19		407F-29		111K-3
220G-17	407G-32	111K-7			
220H-17	407H-32	111K-28			
220J-19	407J-29	111L-3			
220K-19	407K-29	111L-7			
220L-17	407L-32	111L-28			
220M-17	407M-32	111M-3			
163A-25	206A-4	111M-7			
163B-25	206B-4	111M-28			
163C-25	206C-4	401A-8			
163D-25	206D-4	401A-16			
163E-39	206E-4	401B-8			
163F-39	206F-4	401B-16			
163G-39	206G-4	401C-8			
163H-39	206H-4	401C-16			
163J-39	206J-4	401D-8			
163K-39	206K-4	401D-16			
163L-39	206L-4	401E-8			
163M-39	206M-4	401E-16			
204A-11	204A-12	401F-8			
204B-11	204B-12	401F-16			
204C-11	204C-12	401G-8			
204D-11	204D-12	401G-16			
204E-11	204E-12	401H-8			
204F-11	204F-12	401H-16			
204G-11	204G-12	401J-8			
204H-11	204H-12	401J-16			
204J-11	204J-12	401K-8			
204K-11	204K-12	401K-16			
204L-11	204L-12	401L-8			
204M-11	204M-12	401L-16			
336A-21	111A-3	401M-8			
336B-21	111A-7	401M-16			
336C-21	111B-3	113A-10			
336D-21	111B-7	111A-21			
336E-21	111C-3	111B-21			
336F-21	111C-7	111C-21			
336G-21	111D-3	111D-21			
336H-21	111D-7	111E-21			

PART NO.	FIG.NO.-REF.NO.	PART NO.	FIG.NO.-REF.NO.	PART NO.	FIG.NO.-REF.NO.
	111F-21		322B-25		220D-39
	111G-21		322C-25		220G-39
	111H-21		322D-25		220H-39
	111J-21		322E-25		220L-39
	111K-21		322F-25		220M-39
09246-05006	111L-21	09263-30023	322G-25		220A-27
09247-14041	111M-21		322H-25		220B-27
	113A-17		322J-25		220C-28
	144A-11		322K-25		220D-28
	144C-11		322L-25		220E-27
	144E-11		322M-25		220F-27
	144G-11	09260-10005	430A-1		220G-28
	144J-11		204A-14		220H-28
09247-14042	144L-11		204B-14		220J-27
	144B-11		204C-14		220K-27
	144D-11		204D-14		220L-28
	144F-11		204E-14	09263-32017	220M-28
	144H-11		204F-14		407A-2
	144K-11		204G-14		407B-2
	144M-11		204H-14		407C-2
09248-12009	180A-16		204J-14		407D-2
09248-12011	204A-13		204K-14		407E-2
	204B-13		204L-14		407F-2
	204C-13		204M-14		407G-2
	204D-13	09261-05006	121A-9		407H-2
	204E-13		121B-9		407J-2
	204F-13		121C-9		407K-2
	204G-13		121D-9		407L-2
	204H-13		121E-9		407M-2
	204J-13		121F-9	09263-50009	220A-39
	204K-13		121G-9		220B-39
	204L-13		121H-9		220C-32
	204M-13		121J-10		220D-32
09248-18006	113A-9		121K-10		220E-39
09248-26001	113A-7		121L-10		220F-39
09250-21003	410A-48	09262-17019	121M-10		220G-32
	410B-48		204A-15		220H-32
	410C-48		204B-15		220J-39
	410D-48		204C-15		220K-39
	410E-48		204D-15		220L-32
	410F-48		204E-15		220M-32
	410G-48		204F-15	09265-50002	407C-5
	410H-48		204G-15		407D-5
	410J-48		204H-15		407G-5
	410K-48		204J-15		407H-5
	410L-48		204K-15		407L-5
	410M-48		204L-15		407M-5
	410N-48		204M-15	09269-30014	220C-26
	410P-48	09262-40018	119A-2		220D-26
09251-09002	322A-25	09262-60002	220C-39		220G-26

PART NO.	FIG.NO.-REF.NO.	PART NO.	FIG.NO.-REF.NO.	PART NO.	FIG.NO.-REF.NO.
	220H-26		111J-15		220G-35
	220L-26		111K-15		220H-35
	220M-26		111L-15		220J-34
09269-32001	220A-5		111M-15		220K-34
	220B-5		140A-8		220L-35
	220C-5		180A-5		220M-35
	220D-5	09280-22020	175A-10	09280-70012	119A-6
	220E-5	09280-26006	111A-34	09282-08005	206A-7
	220F-5		111B-34		206B-7
	220G-5		111C-34		206C-7
	220H-5		111D-34		206D-7
	220J-5		111E-34		206E-7
	220K-5		111F-34		206F-7
	220L-5		111G-34		206G-7
	220M-5		111H-34		206H-7
09269-75002	220A-16		111J-35		206J-7
	220B-16		111K-35		206K-7
	220C-14		111L-35		206L-7
	220D-14		111M-35		206M-7
	220E-16		162A-14	09282-24004	220A-35
	220F-16	09280-29006	163A-16		220B-35
	220G-14		163B-16		220C-36
	220H-14		163C-16		220D-36
	220J-16		163D-16		220E-35
	220K-16		163E-27		220F-35
	220L-14		163F-27		220G-36
	220M-14		163G-27		220H-36
09280-00040	220A-28		163H-27		220J-35
	220B-28		163J-27		220K-35
	220C-29		163K-27		220L-36
	220D-29		163L-27		220M-36
	220E-28	09280-60007	163M-27	09282-30006	220A-29
	220F-28		206A-11		220B-29
	220G-29		206B-11		220C-30
	220H-29		206C-11		220D-30
	220J-28		206D-11		220E-29
	220K-28		206E-11		220F-29
	220L-29		206F-11		220G-30
	220M-29		206G-11		220H-30
09280-09008	180A-27		206H-11		220J-29
09280-10009	113A-12		206J-11		220K-29
09280-10016	113A-13		206K-11		220L-30
09280-22019	111A-15		206L-11		220M-30
	111B-15		206M-11	09282-39001	336A-11
	111C-15	09280-66004	220A-34		336B-11
	111D-15		220B-34		336C-11
	111E-15		220C-35		336D-11
	111F-15		220D-35		336E-11
	111G-15		220E-34		336F-11
	111H-15		220F-34		336G-11

PART NO.	FIG.NO.-REF.NO.	PART NO.	FIG.NO.-REF.NO.	PART NO.	FIG.NO.-REF.NO.
	336H-11		204D-17		322B-5
	336J-11		204E-17		322C-5
	336K-11		204F-17		322D-5
	336L-11		204G-17		322E-5
	336M-11		204H-17		322F-5
	336N-12		204J-17		322G-5
	336P-12		204K-17		322H-5
09283-32044	119A-4		204L-17		322J-5
09283-91001	116A-13		204M-17		322K-5
09289-05012	121A-21	09306-10001	204A-18		322L-5
	121B-21		204B-18		322M-5
	121C-21		204C-18	09320-08062	144A-12
	121D-21		204D-18		144B-12
	121E-21		204E-18		144C-12
	121F-21		204F-18		144D-12
	121G-21		204G-18		144E-12
	121H-21		204H-18		144F-12
	121J-22		204J-18		144G-12
	121K-22		204K-18		144H-12
	121L-22		204L-18		144J-12
	121M-22		204M-18		144K-12
09289-18001	204A-16	09306-13007	410A-32		144L-12
	204B-16		410B-32		144M-12
	204C-16		410C-32	09320-08086	147A-69
	204D-16		410D-32		147B-69
	204E-16		410E-32		147C-69
	204F-16		410F-32		147D-69
	204G-16		410G-32		147E-69
	204H-16		410H-32		147F-69
	204J-16		410J-32		147G-69
	204K-16		410K-32		147H-69
	204L-16		410L-32		147J-69
09306-04005	204M-16		410M-32		147K-69
	410A-31		410N-32		147L-69
	410B-31		410P-32		147M-69
	410C-31	09306-17001	337N-22	09320-08501	147A-12
	410D-31		337P-22		147B-8
	410E-31	09306-24001	337A-27		147C-12
	410F-31		337B-27		147D-8
	410G-31		337C-27		147E-12
	410H-31		337D-27		147F-8
	410J-31		337E-27		147G-12
	410K-31		337F-27		147H-8
	410L-31		337G-27		147J-12
	410M-31		337H-27		147K-8
	410N-31		337J-27		147L-12
09306-06004	410P-31		337K-27	09320-09016	147M-8
	204A-17		337L-27		310A-6
	204B-17		337M-27		322A-6
	204C-17	09320-04009	322A-5		322B-6

PART NO.	FIG.NO.-REF.NO.	PART NO.	FIG.NO.-REF.NO.	PART NO.	FIG.NO.-REF.NO.
	322C-6		410P-13		147K-56
	322D-6	09329-06002	163E-61		147L-10
	322E-6		163F-61		147L-36
	322F-6		163G-61		147L-48
	322G-6		163H-61		147M-32
	322H-6		163J-61	09352-50823-00B	147M-44
	322J-6		163K-61		147M-56
	322K-6		163L-61		147A-57
	322L-6		163M-61		147B-66
	322M-6	09329-10022	420A-20		147C-57
09320-11013	410A-18		420B-20		147D-66
	410B-18		420C-20		147E-57
	410C-18		420D-20		147F-66
	410D-18		420E-20		147G-57
	410E-18		420F-20		147H-66
	410F-18		420G-20		147J-57
	410G-18		420H-20		147K-66
	410H-18		420J-20		147L-57
	410J-18		420K-20		147M-66
	410K-18		420L-20	09352-50903-00B	162A-23
	410L-18		420M-20		162A-24
	410M-18	09343-75001-600	147A-10		521A-7
	410N-18		147A-36	09352-50903-600	162A-16
	410P-18		147A-48		162A-17
09320-12014	162A-15		147B-32		162A-18
09320-12072	147A-34		147B-44		162A-19
	147B-30		147B-56		162A-20
	147C-34		147C-10		162A-21
	147D-30		147C-36		162A-22
	147E-34		147C-48		521A-6
	147F-30		147D-32	09352-70103-600	410A-42
	147G-34		147D-44		410B-42
	147H-30		147D-56		410C-42
	147J-34		147E-10		410D-42
	147K-30		147E-36		410E-42
	147L-34		147E-48		410F-42
	147M-30		147F-32		410G-42
09321-10030	410A-13		147F-44		410H-42
	410B-13		147F-56		410J-42
	410C-13		147G-10		410K-42
	410D-13		147G-36		410L-42
	410E-13		147G-48		410M-42
	410F-13		147H-32		410N-42
	410G-13		147H-44		410P-42
	410H-13		147H-56	09355-35754-00B	163E-10
	410J-13		147J-10		163E-34
	410K-13		147J-36		163F-10
	410L-13		147J-48		163F-34
	410M-13		147K-32		163G-10
	410N-13		147K-44		163G-34

PART NO.	FIG.NO.-REF.NO.	PART NO.	FIG.NO.-REF.NO.	PART NO.	FIG.NO.-REF.NO.
	163H-10	09360-14009	144A-13		336D-12
	163H-34		144C-13		336E-12
	163J-10		144E-13		336F-12
	163J-34		144G-13		336G-12
	163K-10		144J-13		336H-12
	163K-34	09360-14014	144L-13		336J-12
	163L-10		144B-13		336K-12
	163L-34		144D-13		336L-12
	163M-10		144F-13		336M-12
	163M-34		144H-13		336N-10
09355-35754-601	163E-11		144K-13		336P-10
	163E-33		144M-13	09381-22010	116A-4
	163F-11	09362-09008	407A-21	09381-40003	220A-30
	163F-33		407B-18		220A-36
	163G-11		407C-24		220B-30
	163G-33		407D-21		220B-36
	163H-11		407E-21		220C-31
	163H-33		407F-21		220C-37
	163J-11		407G-24		220D-31
	163J-33		407H-24		220D-37
	163K-11		407J-21		220E-30
	163K-33		407K-21		220E-36
	163L-11		407L-24		220F-30
	163L-33		407M-24		220F-36
	163M-11	09363-08004	147A-19		220G-31
	163M-33		147C-19		220G-37
09355-40805-00B	407A-20		147E-19		220H-31
	407B-17		147G-19		220H-37
	407C-23		147J-19		220J-30
	407D-20		147L-19		220J-36
	407E-20	09367-06002	162A-26		220K-30
	407F-20	09367-06006	521A-8		220K-36
	407G-23	09367-10001	430A-2		220L-31
	407H-23	09380-17009	337N-23		220L-37
	407J-20		337P-23		220M-31
	407K-20	09380-21002	337A-28		220M-37
	407L-23		337B-28	09383-08004	204A-19
	407M-23		337C-28		204B-19
09360-12008	147A-18		337D-28		204C-19
	147C-18		337E-28		204D-19
	147E-18		337F-28		204E-19
	147G-18		337G-28		204F-19
	147J-18		337H-28		204G-19
	147L-18		337J-28		204H-19
09360-12013	147B-14		337K-28		204J-19
	147D-14		337L-28		204K-19
	147F-14		337M-28		204L-19
	147H-14	09380-38003	336A-12		204M-19
	147K-14		336B-12	09385-06012	442A-9
	147M-14		336C-12	09387-38002	405A-5

PART NO.	FIG.NO.-REF.NO.	PART NO.	FIG.NO.-REF.NO.	PART NO.	FIG.NO.-REF.NO.
	405B-5		144B-20		315L-13
	405C-5		144C-20		315M-13
	405D-5		144D-20	09403-09316	326A-15
	405E-5		144E-20		326B-15
	405F-5		144F-20		326C-15
	405G-5		144G-20		326D-15
	405H-5		144H-20		326E-15
	405J-5		144J-20		326F-15
	405K-5		144K-20		326G-15
	405L-5		144L-20		326H-15
	405M-5		144M-20		326J-15
09401-08412	147A-58		430A-3		326K-15
	147B-67		430A-6		326L-15
	147C-58	09401-14409	162A-28		326M-15
	147D-67	09401-15414	162A-37	09403-11315	326A-12
	147E-58	09401-18410	111A-32		326B-12
	147F-67		111A-39		326C-12
	147G-58		111B-32		326D-12
	147H-67		111B-39		326E-12
	147J-58		111C-32		326F-12
	147K-67		111C-39		326G-12
	147L-58		111D-32		326H-12
09401-08413	147M-67		111D-39		326J-12
	162A-27		111E-32		326K-12
	521A-9		111E-39		326L-12
09401-11414	147A-37		111F-32		326M-12
	147B-33		111F-39	09403-12412	326A-7
	147C-37		111G-32		326B-7
	147D-33		111G-39		326C-7
	147E-37		111H-32		326D-7
	147F-33		111H-39		326E-7
	147G-37		111J-33		326F-7
	147H-33		111J-40		326G-7
	147J-37		111K-33		326H-7
	147K-33		111K-40		326J-7
	147L-37		111L-33		326K-7
	147M-33		111L-40		326L-7
09401-11425	144A-14		111M-33		326M-7
	144B-14		111M-40	09403-13408	303A-13
	144C-14	09401-25406	162A-29		303B-13
	144D-14	09403-07340	315A-25		303C-13
	144E-14		315B-25		303D-13
	144F-14		315C-13		303E-13
	144G-14		315D-13		303F-13
	144H-14		315E-13		303G-13
	144J-14		315F-13		303H-13
	144K-14		315G-13		303J-13
	144L-14		315H-13		303K-13
	144M-14		315J-13		303L-13
09401-13423	144A-20		315K-13		303M-13

PART NO.	FIG.NO.-REF.NO.	PART NO.	FIG.NO.-REF.NO.	PART NO.	FIG.NO.-REF.NO.
09403-14304	147A-70		322L-17		322H-32
	147B-70		322M-17		322J-32
	147C-70	09403-25304	162A-30		322K-32
	147D-70	09407-08401	530A-8		322L-32
	147E-70		530A-28		322M-32
	147F-70		530A-40		326A-24
	147G-70	09407-10404	322A-31		326B-24
	147H-70		322B-31		501A-6
	147J-70		322C-31		501A-21
	147K-70		322D-31	09407-25402	410A-36
	147L-70		322E-31		410B-36
	147M-70		322F-31		410C-36
09403-16307	144A-15		322G-31		410D-36
	144B-15		322H-31		410E-36
	144C-15		322J-31		410F-36
	144D-15		322K-31		410G-36
	144E-15		322L-31		410H-36
	144F-15		322M-31		410J-36
	144G-15		407A-22		410K-36
	144H-15		407B-19		410L-36
	144J-15		407C-25		410M-36
	144K-15		407D-22		410N-36
	144L-15		407E-22		410P-36
	144M-15		407F-22	09408-00008	162A-31
09403-19409	315A-10		407G-25		322A-19
	315A-19		407H-25		322A-22
	315B-10		407J-22		322B-19
	315B-19		407K-22		322B-22
	315C-10		407L-25		322C-19
	315D-10		407M-25		322C-22
	315E-10	09407-11401	164A-14		322D-19
	315F-10	09407-14407	315A-12		322D-22
	315G-10		315B-12		322E-19
	315H-10		315C-12		322E-22
	315J-10		315D-12		322F-19
	315K-10		315E-12		322F-22
	315L-10		315F-12		322G-19
09403-20308	315M-10		315G-12		322G-22
	315A-20		315H-12		322H-19
	315B-20		315J-12		322H-22
	322A-17		315K-12		322J-19
	322B-17		315L-12		322J-22
	322C-17		315M-12		322K-19
	322D-17		322A-32		322K-22
	322E-17		322B-32		322L-19
	322F-17		322C-32		322L-22
	322G-17		322D-32		322M-19
	322H-17		322E-32		322M-22
	322J-17		322F-32	09408-00021	162A-40
	322K-17		322G-32		310A-11

PART NO.	FIG.NO.-REF.NO.	PART NO.	FIG.NO.-REF.NO.	PART NO.	FIG.NO.-REF.NO.
09408-00024	162A-39		144E-17		204E-20
09408-00043	147A-71		144F-17		204F-20
	147B-71		144G-17		204G-20
	147C-71		144H-17		204H-20
	147D-71		144J-17		204J-20
	147E-71		144K-17		204K-20
	147F-71		144L-17		204L-20
	147G-71		144M-17		204M-20
	147H-71	09408-00184	322A-20	09440-09040	220A-22
	147J-71		322B-20		220B-22
	147K-71		322C-20		220C-20
	147L-71		322D-20		220D-20
	147M-71		322E-20		220E-22
09408-00056	162A-32		322F-20		220F-22
09408-00060	163E-64		322G-20		220G-20
	163F-64		322H-20		220H-20
	163G-64		322J-20		220J-22
	163H-64		322K-20		220K-22
	163J-64		322L-20		220L-20
	163K-64		322M-20		220M-20
	163L-64	09409-05302-5PK	410A-9	09440-19028	336A-22
	163M-64		410B-9		336B-22
09408-00105	144A-16		410C-9		336C-22
	144B-16		410D-9		336D-22
	144C-16		410E-9		336E-22
	144D-16		410F-9		336F-22
	144E-16		410G-9		336G-22
	144F-16		410H-9		336H-22
	144G-16		410J-9		336J-22
	144H-16		410K-9		336K-22
	144J-16		410L-9		336L-22
	144K-16		410M-9		336M-22
	144L-16		410N-9		336N-24
	144M-16		410P-9		336P-24
09408-00135	144A-21	09420-05009	160A-17	09440-52003	220A-21
	144B-21		160B-17		220B-21
	144C-21		160C-17		220C-19
	144D-21		160D-17		220D-19
	144E-21		160E-17		220E-21
	144F-21		160F-17		220F-21
	144G-21		160G-17		220G-19
	144H-21		160H-17		220H-19
	144J-21		160J-17		220J-21
	144K-21		160K-17		220K-21
	144L-21		160L-17		220L-19
	144M-21		160M-17		220M-19
09408-00155	144A-17	09440-07051	204A-20	09443-10043	336A-23
	144B-17		204B-20		336B-23
	144C-17		204C-20		336C-23
	144D-17		204D-20		336D-23

SUZUKI DF200/225/250 PARTS CATALOGUE

SUZUKI MOTOR CORPORATION All rights reserved

No part of this document may be reproduced or transmitted in any form or by any means, electronic or mechanical, for any purpose, without the express written permission of Suzuki Motor Corporation.

SUZUKI MOTOR CORPORATION

Technical Readiness Group, Quality Administration Department
300 Takatsuka, Minami, Hamamatsu, Japan

Reprint Prohibited

SUZUKI MOTOR CORPORATION